



Accessories for ECHO products can be found at:

Los accesorios para los productos ECHO se pueden encontrar en:

[www.echo-usa.com/products/catalogs](http://www.echo-usa.com/products/catalogs)

**OPTIONAL ACCESSORIES & ATTACHMENTS:**

|                 |             |
|-----------------|-------------|
| SRM Harness Kit | 99944200200 |
| U-Handle Kit    | 99944200435 |

**ATTACHMENTS:**

|                            |             |
|----------------------------|-------------|
| Edger                      | 99944200470 |
| Hedge Trimmer              | 99944200486 |
| Power Blower               | 99944200490 |
| Tiller / Cultivator        | 99944200513 |
| Power Pruner               | 99944200532 |
| 3' Extension               | 99944200536 |
| Grass Trimmer              | 99944200540 |
| High Torque Grass Trimmer  | 99944200545 |
| Articulating Hedge Trimmer | 99944200596 |
| 80 Tooth Brushcutter       | 99944200601 |
| Curved Shaft Trimmer       | 99944200615 |

**ACCESORIOS:**

|                    |             |
|--------------------|-------------|
| Kit de Arnés (SRM) | 99944200200 |
| Kit de Mango en U  | 99944200435 |

**ACCESORIOS DE DIFERENTES USOS:**

|                               |             |
|-------------------------------|-------------|
| Orilladora                    | 99944200470 |
| Cortaseto                     | 99944200486 |
| Soplador                      | 99944200490 |
| Cultivador                    | 99944200513 |
| Podadora de altura            | 99944200532 |
| Extensión de 0.91 m (3.0 ft.) | 99944200536 |
| Podadora                      | 99944200540 |
| Podadora torsión alta         | 99944200545 |
| Cortaseto articulado          | 99944200596 |
| Desmalezadora de 80 Dientes   | 99944200601 |
| Podadora con eje curvo        | 99944200615 |

**PARTS CATALOG**  
**LISTA DE PIEZAS**

**PAS-225**  
**Pro Attachment Series™**

PAS-225  
Sistema Pro Attachment®

21.2 cc

SERIAL NUMBER  
NÚMERO DE SERIE

V03412001001 - V03412999999



**ECHO Incorporated**

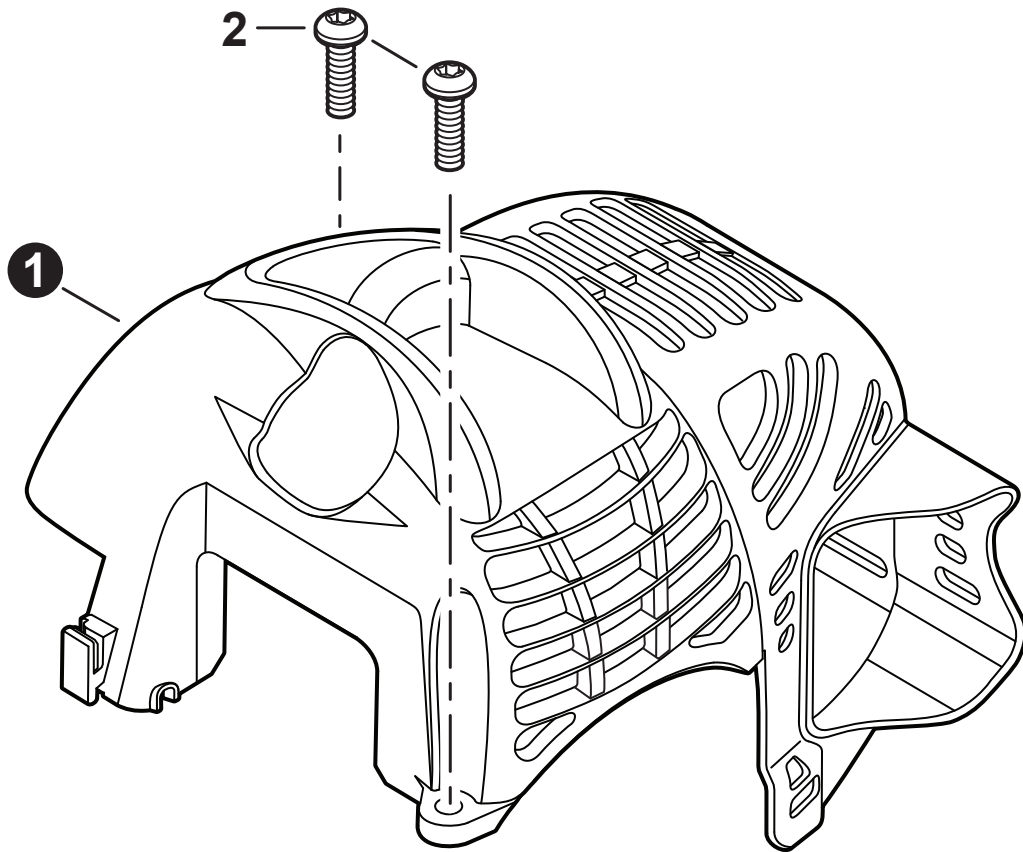
400 Oakwood Road, Lake Zurich, Illinois 60047

[WWW.ECHO-USA.COM](http://WWW.ECHO-USA.COM)

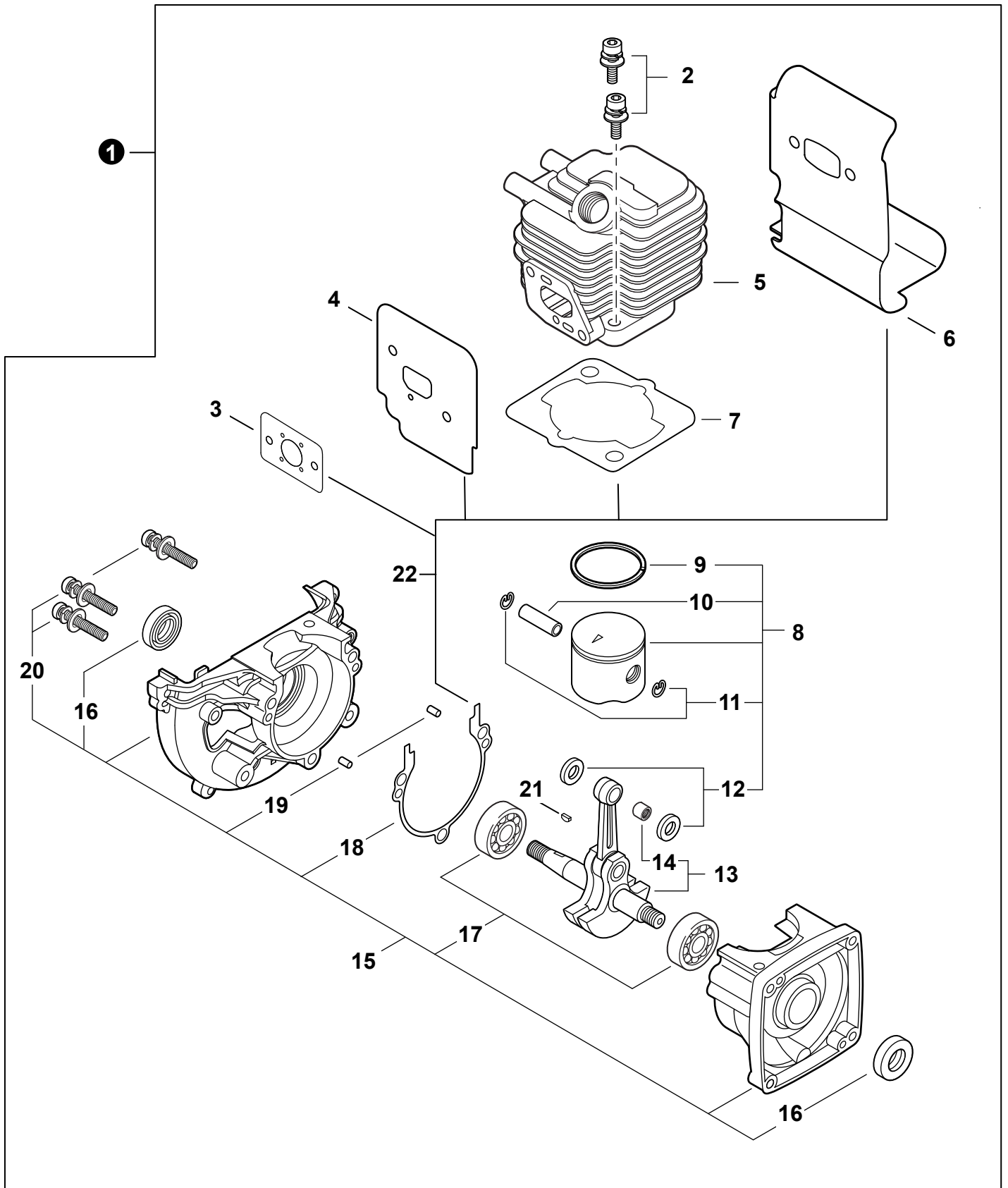
©2024 ECHO Incorporated. All Rights Reserved

P/N 99922238286  
REVISED 06/30/24

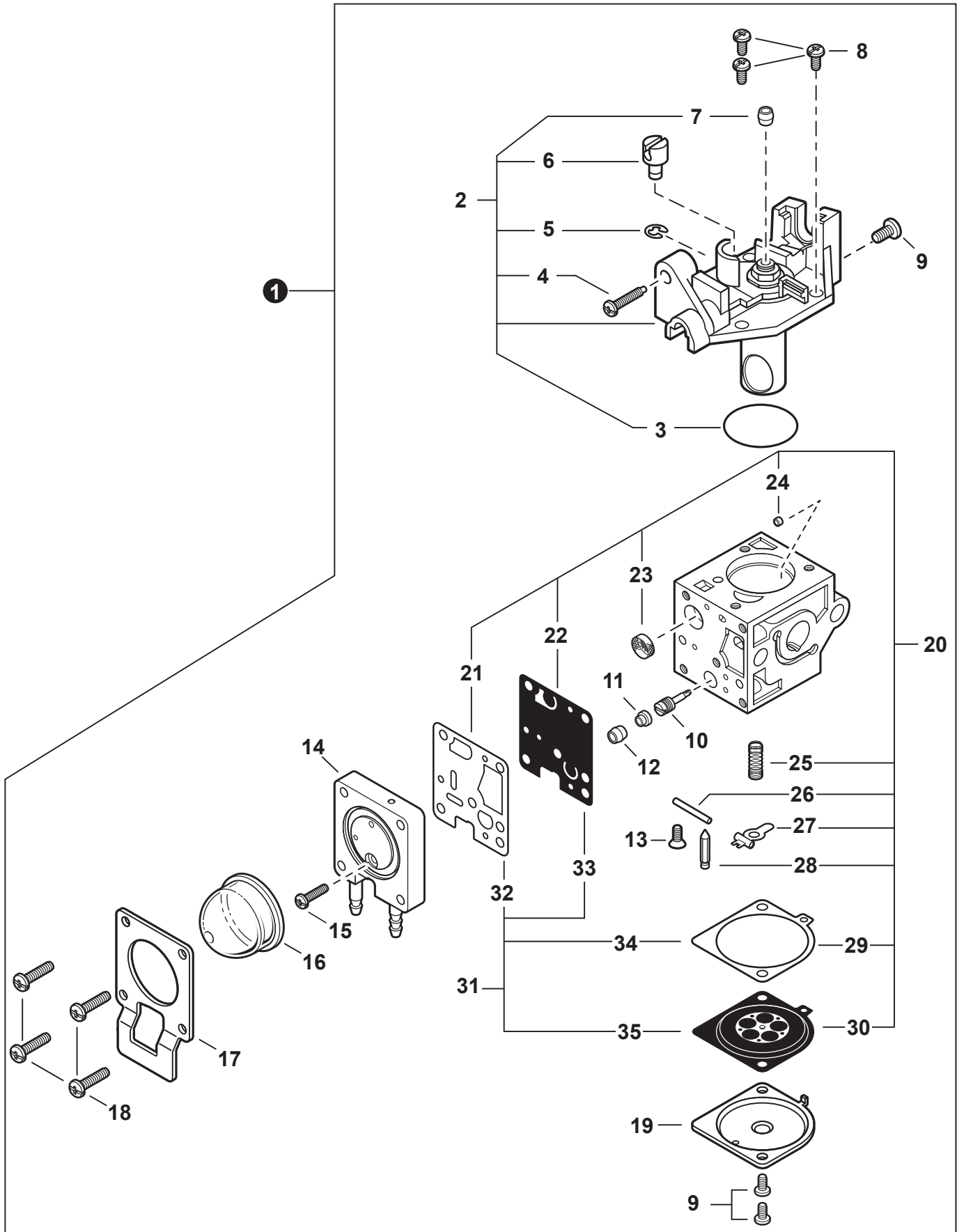
|                                    |           |                               |           |
|------------------------------------|-----------|-------------------------------|-----------|
| <b>Engine Cover</b> .....          | <b>3</b>  | <b>Attachments</b> .....      | <b>20</b> |
| Cubierta del Motor                 |           | Accesorios de diferentes usos |           |
| <b>Engine</b> .....                | <b>4</b>  |                               |           |
| Motor                              |           |                               |           |
| <b>Engine</b> .....                | <b>5</b>  |                               |           |
| Motor                              |           |                               |           |
| <b>Carburetor</b> .....            | <b>6</b>  |                               |           |
| Carburador                         |           |                               |           |
| <b>Carburetor</b> .....            | <b>7</b>  |                               |           |
| Carburador                         |           |                               |           |
| <b>Intake</b> .....                | <b>8</b>  |                               |           |
| Admisión                           |           |                               |           |
| <b>Exhaust</b> .....               | <b>9</b>  |                               |           |
| Escape                             |           |                               |           |
| <b>Ignition</b> .....              | <b>10</b> |                               |           |
| Encendido                          |           |                               |           |
| <b>Starter</b> .....               | <b>11</b> |                               |           |
| Arrancador                         |           |                               |           |
| <b>Fuel System</b> .....           | <b>12</b> |                               |           |
| Sistema de combustible             |           |                               |           |
| <b>Fan Case</b> .....              | <b>13</b> |                               |           |
| Carcasa del Ventilador             |           |                               |           |
| <b>Main Pipe</b> .....             | <b>14</b> |                               |           |
| Tubo Principle                     |           |                               |           |
| <b>Control Handle</b> .....        | <b>15</b> |                               |           |
| Mango de Control                   |           |                               |           |
| <b>Handle - Support</b> .....      | <b>16</b> |                               |           |
| Mango de soporte                   |           |                               |           |
| <b>Coupler</b> .....               | <b>17</b> |                               |           |
| Unión                              |           |                               |           |
| <b>Labels</b> .....                | <b>18</b> |                               |           |
| Etiquetas                          |           |                               |           |
| <b>Tools</b> .....                 | <b>18</b> |                               |           |
| Herramientas                       |           |                               |           |
| <b>Maintenance Kits</b> .....      | <b>19</b> |                               |           |
| Juegos de mantenimiento            |           |                               |           |
| <b>Bulk Pipe</b> .....             | <b>19</b> |                               |           |
| Tubo Al Por Mayor                  |           |                               |           |
| <b>Bulk Starter Rope</b> .....     | <b>19</b> |                               |           |
| Cuerda Del Arrancador Al Por Mayor |           |                               |           |



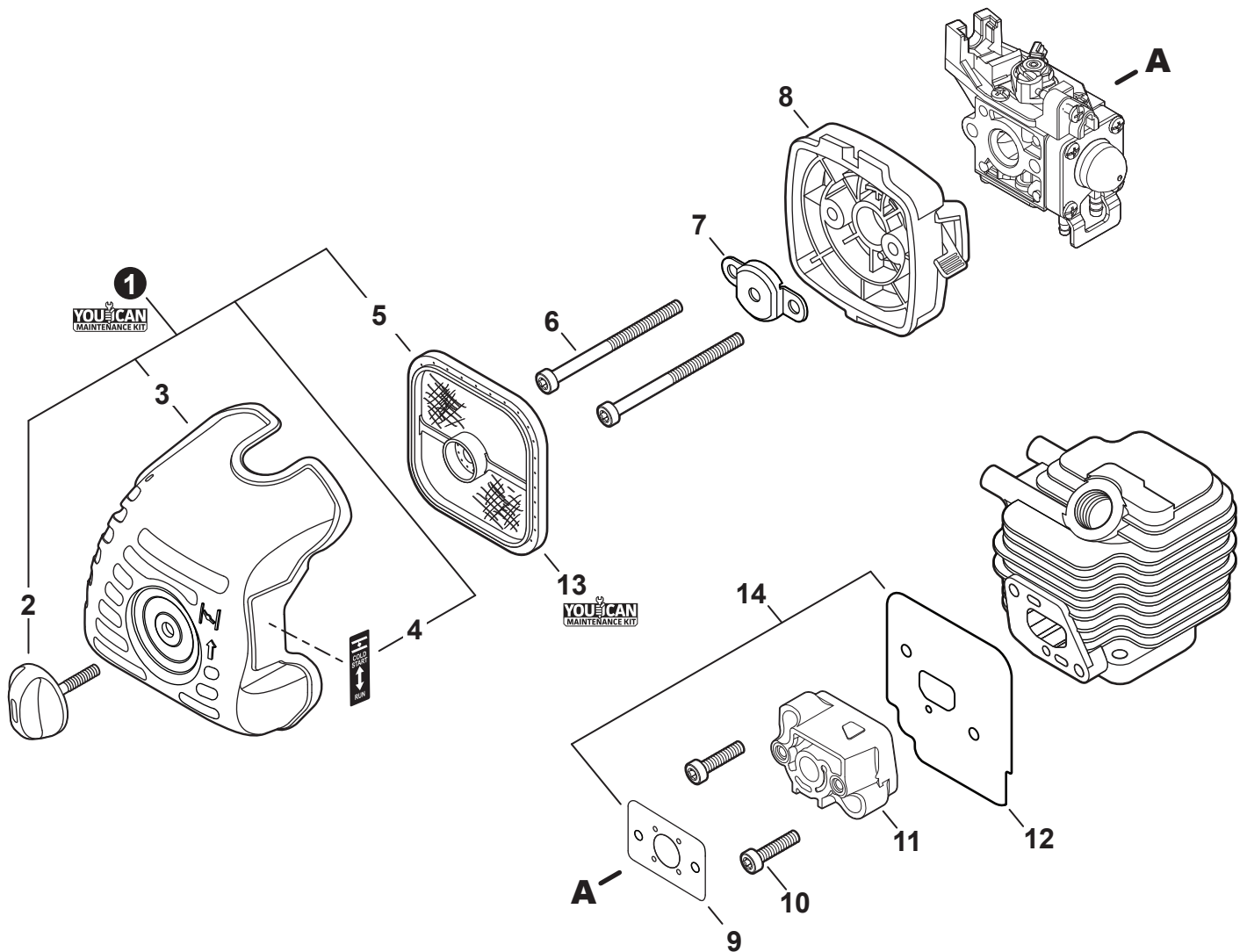
| NO. | PART NUMBER | QTY. | DESCRIPTION     | DESCRIPCIÓN       |
|-----|-------------|------|-----------------|-------------------|
| 1   | A160003231  | 1    | COVER, ENGINE   | CUBIERTA DE MOTOR |
| 2   | V805000000  | 2    | BOLT, TORX 5x16 | PERNO TORX 5x16   |



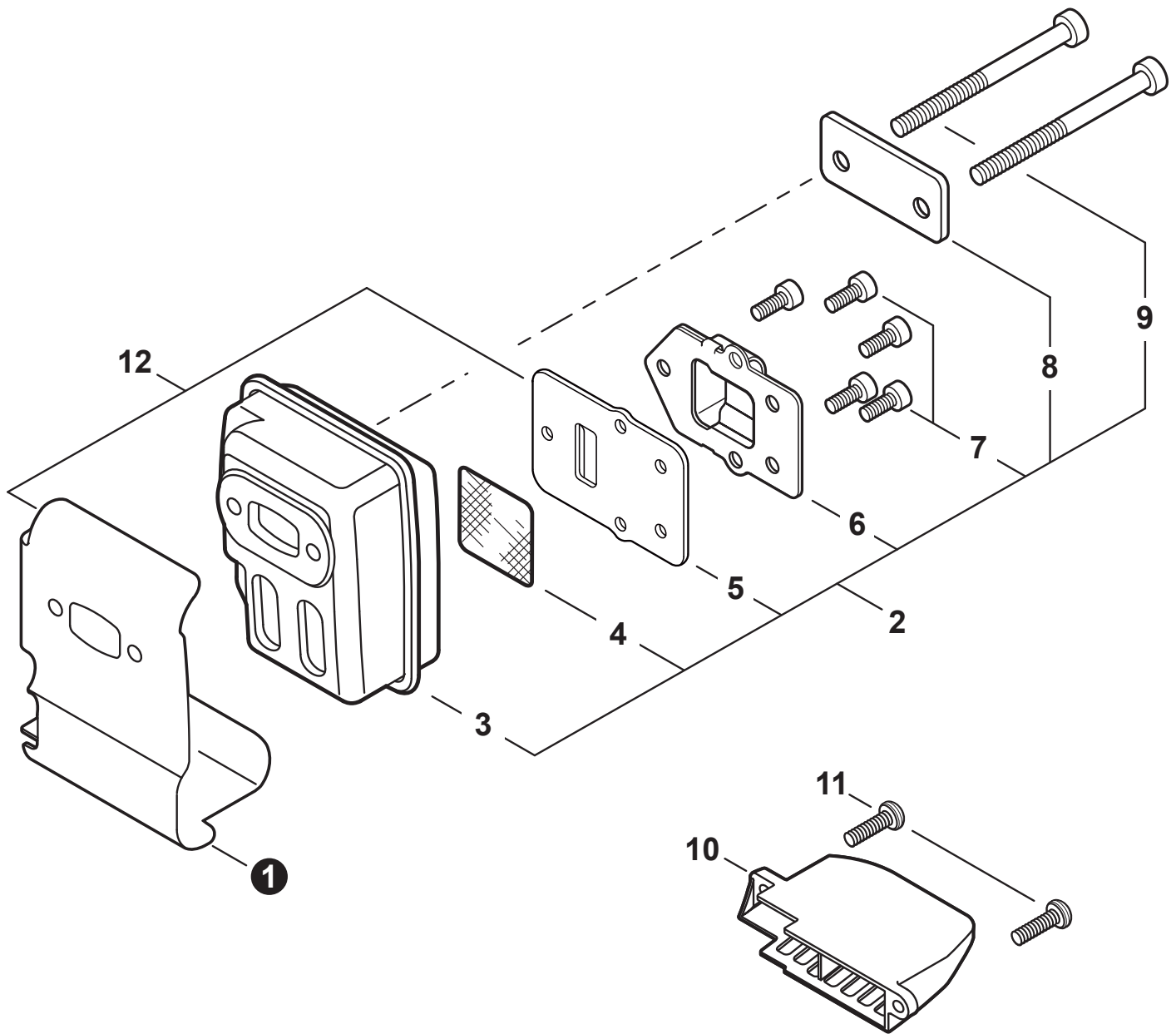
| NO. | PART NUMBER | QTY. | DESCRIPTION                         | DESCRIPCIÓN                                      |
|-----|-------------|------|-------------------------------------|--|
| 1   | SB1119      | 1    | SHORT BLOCK                         | BLOQUE CORTO                                     |
| 2   | 90016205022 | 2    | +BOLT 5x22                          | +PERNO 5x22                                      |
| 3   | V103002190  | 1    | +GASKET, INTAKE                     | +EMPAQUETADURA DE ADMISIÓN                       |
| 4   | V103001360  | 1    | +HEAT SHIELD, INTAKE                | +PROTECTOR TÉRMICO DEL ADMISIÓN                  |
| 5   | A130002100  | 1    | +CYLINDER                           | +CILINDRO  |
| 6   | V104000850  | 1    | +HEAT SHIELD, EXHAUST               | +PROTECTOR TÉRMICO DEL ESCAPE                    |
| 7   | 10101044332 | 1    | +GASKET, CYLINDER                   | +EMPAQUETADURA DE CILINDRO                       |
| 8   | P100013550  | 1    | +PISTON KIT                         | +JUEGO DE PISTÓN                                 |
| 9   | A101000860  | 1    | ++RING, PISTON                      | ++ANILLO DEL PISTÓN                              |
| 10  | 10001311520 | 1    | ++PIN, PISTON 8                     | ++PASADOR DEL PISTÓN 8                           |
| 11  | 10001504630 | 2    | ++RING, SNAP                        | ++ANILLO RETENEDOR                               |
| 12  | 10001411520 | 2    | ++WASHER, THRUST                    | ++ARANDELA DE EMPUJE                             |
| 13  | A011001410  | 1    | +CRANKSHAFT ASSY                    | +MONTAJE DE CIGÜEÑAL                             |
| 14  | V553000060  | 1    | ++BEARING, NEEDLE 8                 | ++COJINETE DE AGUJAS 8                           |
| 15  | P100001870  | 1    | +CRANKCASE KIT                      | +JUEGO DE CÁRTER                                 |
| 16  | 10021242031 | 2    | ++SEAL, OIL 12                      | ++SELLO DE ACEITE 12                             |
| 17  | 9403536201  | 2    | ++BEARING, BALL 6201                | ++COJINETE DE BOLAS 6201                         |
| 18  | 10024242030 | 1    | ++GASKET, CRANKCASE                 | ++EMPAQUETADURA DE CÁRTER                        |
| 19  | 90033040080 | 2    | ++PIN, LOCATING 4x8                 | ++PASADOR DE POSICIONAMIENTO 4x8                 |
| 20  | 90016205028 | 3    | ++BOLT 5x28                         | ++PERNO 5x28                                     |
| 21  | 10014212330 | 1    | +KEY, WOODRUFF                      | +CHAVETA WOODRUFF                                |
| 22  | P021051670  | 1    | GASKET KIT: ENGINE, INTAKE, EXHAUST | JUEGO DE EMPAQUETADURA - MOTOR, ADMISIÓN, ESCAPE |



| NO. | PART NUMBER | QTY. | DESCRIPTION                  | DESCRIPCIÓN                              |
|-----|-------------|------|------------------------------|--|
| 1   | A021005530  | 1    | CARBURETOR - Z011-0QA        | CARBURADOR - Z011-0QA                    |
| 2   | P005004950  | 1    | +COVER KIT, ROTOR            | +JUEGO DE CUBIERTA DE ROTOR              |
| 3   | P005004260  | 1    | ++O-RING                     | ++JUNTA TÓRICA                           |
| 4   | P005000100  | 1    | ++SCREW, IDLE ADJUST         | ++TORNILLO PARA AJUSTAR EL RALENTI       |
| 5   | P005000190  | 1    | ++E-RING                     | ++RETENEDOR TIPO "E"                     |
| 6   | P005002090  | 1    | ++SWIVEL                     | ++CONECTOR GIRATORIO                     |
| 7   | P005001270  | 1    | ++PLUG                       | ++TAPÓN                                  |
| 8   | 12534413931 | 3    | +SCREW                       | +TORNILLO                                |
| 9   | 12534452130 | 3    | +SCREW                       | +TORNILLO                                |
| 10  | P005003500  | 1    | +NEEDLE, HIGH SPEED          | +AGUJA DE REGULACION ALTA (H)            |
| 11  | P005005320  | 1    | +CAP, LIMITER                | +PROTECTOR DE TORNILLO                   |
| 12  | P005001270  | 1    | +PLUG                        | +TAPÓN                                   |
| 13  | 12533942030 | 1    | +SCREW                       | +TORNILLO                                |
| 14  | P005004240  | 1    | +BODY ASSY, PURGE            | +MONTAJE DE CUERPO DE PURGA              |
| 15  | P005000270  | 1    | +SCREW                       | +TORNILLO                                |
| 16  | P005003110  | 1    | +BULB, PURGE                 | +BULBO DE PURGA                          |
| 17  | P005000250  | 1    | +RETAINER, PURGE BULB        | +RETENEDOR DE BULBO DE PURGA             |
| 18  | P005001900  | 4    | +SCREW                       | +TORNILLO                                |
| 19  | 12534252130 | 1    | +COVER, METERING DIAPHRAGM   | +TAPA DE DIAFRAGMA DE MEDICIÓN           |
| 20  | P005004980  | 1    | +REPAIR KIT, CARBURETOR      | +JUEGO DE REPARACIÓN DE CARBURADOR       |
| 21  |             | 1    | ++GASKET, PUMP               | ++EMPAQUETADURA DE LA BOMBA              |
| 22  |             | 1    | ++DIAPHRAGM, PUMP            | ++DIAFRAGMA DE LA BOMBA                  |
| 23  |             | 1    | ++SCREEN, FUEL INLET         | ++MALLA FILTRADORA                       |
| 24  |             | 1    | ++GUIDE, ROLLER              | ++GUÍA DE RODILLO                        |
| 25  |             | 1    | ++SPRING, METERING LEVER     | ++RESORTE PALANCA DE MEDICIÓN            |
| 26  |             | 1    | ++PIN, METERING LEVER        | ++PASADOR DE PALANCA DE MEDICIÓN         |
| 27  |             | 1    | ++LEVER, METERING            | ++PALANCA DE MEDICIÓN                    |
| 28  |             | 1    | ++VALVE, INLET NEEDLE        | ++VÁLVULA REGULADORA                     |
| 29  |             | 1    | ++GASKET, METERING DIAPHRAGM | ++EMPAQUETADURA DE DIAFRAGMA DE MEDICIÓN |
| 30  |             | 1    | ++DIAPHRAGM, METERING        | ++DIAFRAGMA DE MEDICIÓN                  |
| 31  | P005004720  | 1    | +GASKET / DIAPHRAGM KIT      | +JUEGO DE EMPAQUETADURA / DIAFRAGMAS     |
| 32  |             | 1    | ++GASKET, PUMP               | ++EMPAQUETADURA DE LA BOMBA              |
| 33  |             | 1    | ++DIAPHRAGM, PUMP            | ++DIAFRAGMA DE LA BOMBA                  |
| 34  |             | 1    | ++GASKET, METERING DIAPHRAGM | ++EMPAQUETADURA DE DIAFRAGMA DE MEDICIÓN |
| 35  |             | 1    | ++DIAPHRAGM, METERING        | ++DIAFRAGMA DE MEDICIÓN                  |

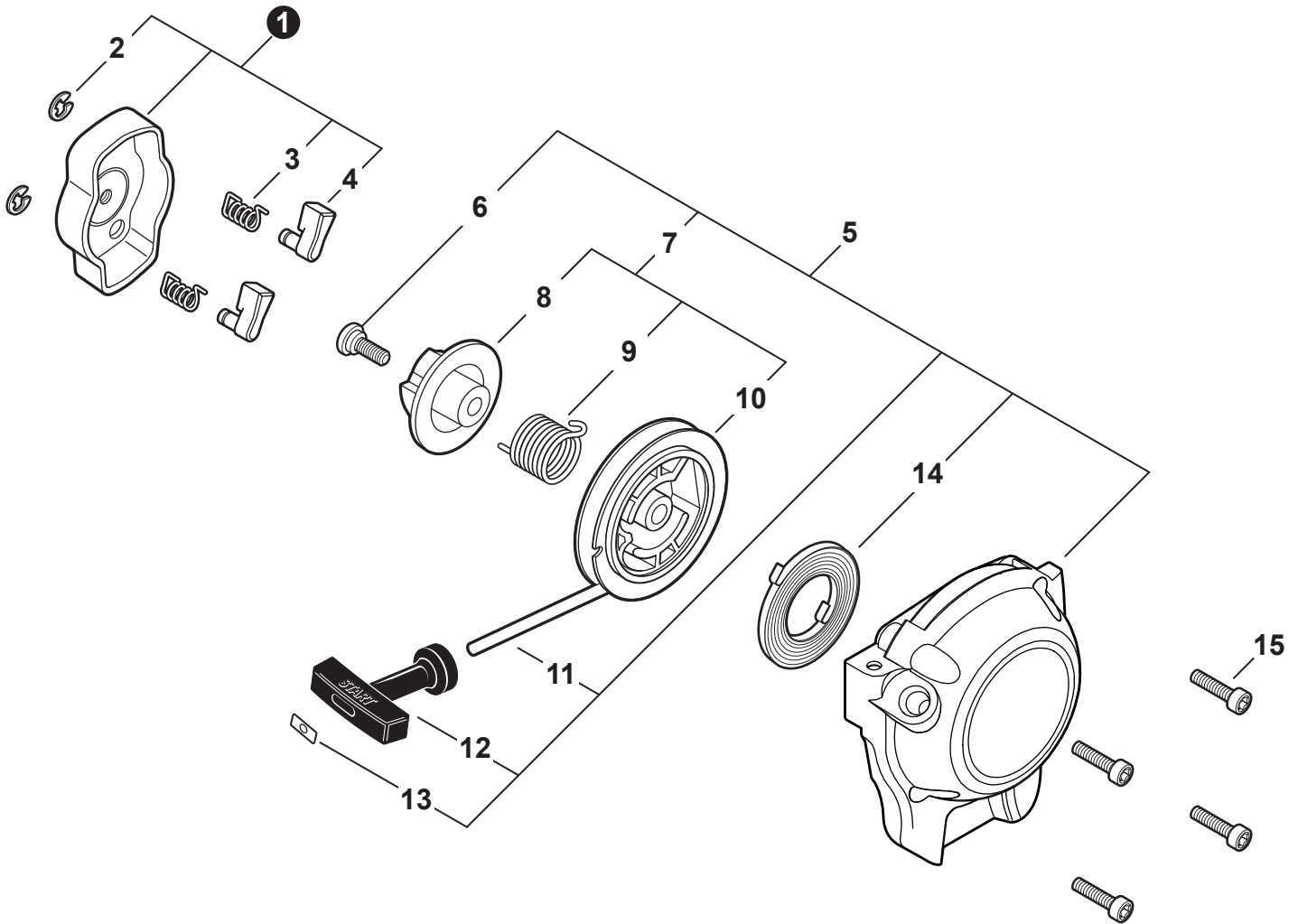


| NO. | PART NUMBER | QTY. | DESCRIPTION                         | DESCRIPCIÓN                                      |
|-----|-------------|------|-------------------------------------|--|
| 1   | 90116Y      | 1    | FILTER KIT, AIR - YOUCAN™           | JUEGO PARA FILTRO DE AIRE - YOUCAN™              |
| 2   | V299000250  | 1    | +THUMBSCREW                         | +TORNILLO DE OREJETAS                            |
| 3   | A232001850  | 1    | +COVER, AIR FILTER                  | +CUBIERTA DEL FILTRO DE AIRE                     |
| 4   | 89012152730 | 1    | +LABEL - CHOKE                      | +ETIQUETA DEL ESTRANGULADOR                      |
| 5   | A226001410  | 1    | +FILTER, AIR - DOUBLE LAYER         | +FILTRO DE AIRE - CAPA DOBLE                     |
| 6   | V805000190  | 2    | BOLT, TORX 5x55                     | PERNO TORX 5x55                                  |
| 7   | 12901152730 | 1    | PLATE, PREVENT                      | PLACA DE PREVENCIÓN                              |
| 8   | P021012870  | 1    | CASE ASSY, AIR FILTER               | MONTAJE DE CAJA DEL FILTRO DE AIRE               |
| 9   | V103002190  | 1    | GASKET, INTAKE                      | EMPAQUETADURA DE ADMISIÓN                        |
| 10  | V805000160  | 2    | BOLT, TORX 5x20                     | PERNO TORX 5x20                                  |
| 11  | A200001120  | 1    | INSULATOR, INTAKE                   | AISLADOR DE ADMISIÓN                             |
| 12  | V103001360  | 1    | HEAT SHIELD, INTAKE                 | PROTECTOR TÉRMICO DEL ADMISIÓN                   |
| 13  | 90152Y      | 1    | TUNE-UP KIT - YOUCAN™               | JUEGO DE PUESTA A PUNTO - YOUCAN™                |
| 14  | P021051670  | 1    | GASKET KIT: ENGINE, INTAKE, EXHAUST | JUEGO DE EMPAQUETADURA - MOTOR, ADMISIÓN, ESCAPE |

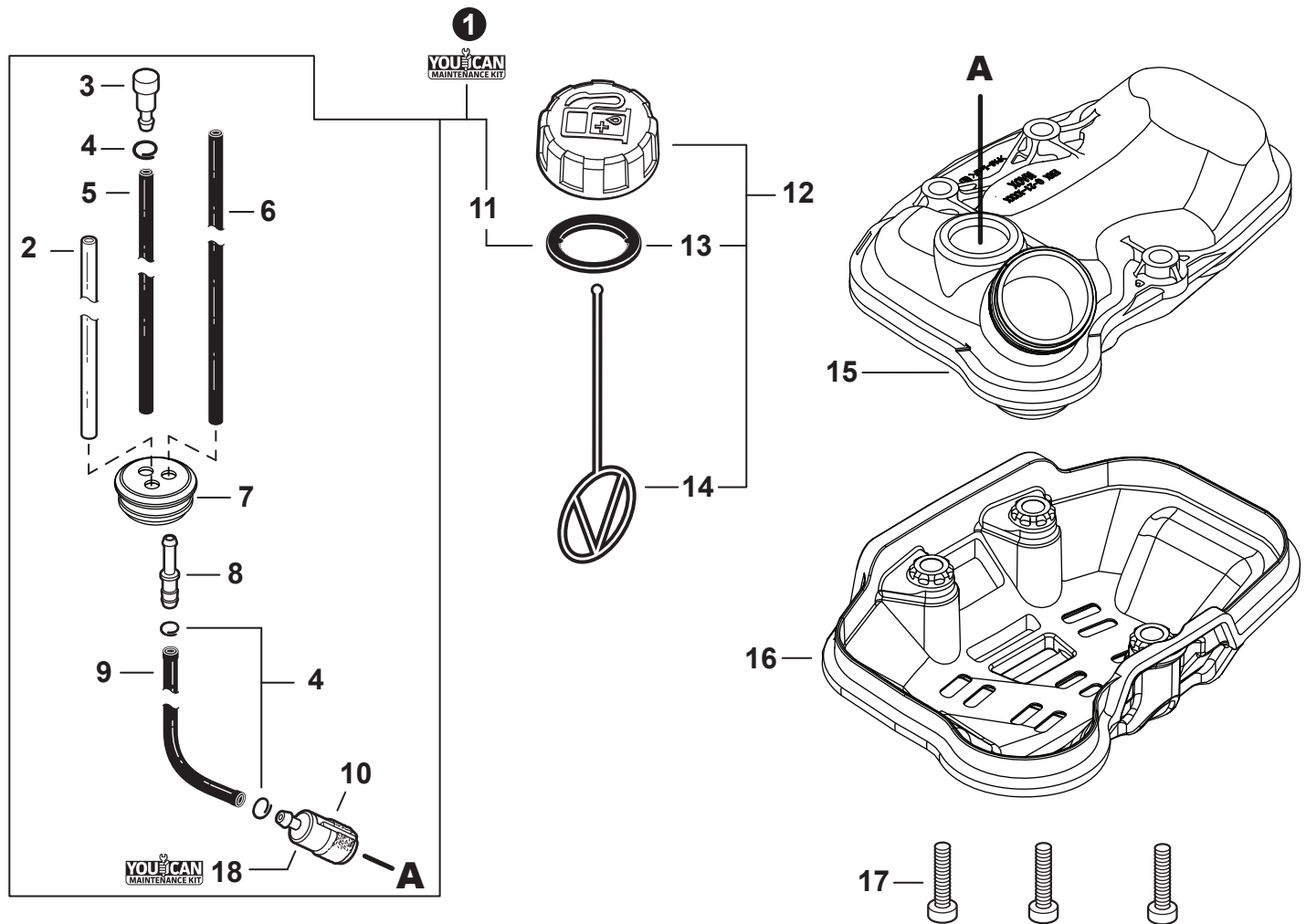


| NO. | PART NUMBER | QTY. | DESCRIPTION                         | DESCRIPCIÓN                                      |
|-----|-------------|------|-------------------------------------|--|
| 1   | V104000850  | 1    | HEAT SHIELD, EXHAUST                | PROTECTOR TÉRMICO DEL ESCAPE                     |
| 2   | P021036112  | 1    | MUFFLER ASSY                        | MONTAJE DE SILENCIADOR                           |
| 3   | A300000811  | 1    | +MUFFLER                            | +SILENCIADOR                                     |
| 4   | 14586240630 | 1    | +SCREEN, SPARK ARRESTER             | +SUPRESOR DE CHISPAS                             |
| 5   | V104001761  | 1    | +GASKET, EXHAUST                    | +EMPAQUETADURA DE ESCAPE                         |
| 6   | A313000600  | 1    | +GUIDE, EXHAUST                     | +GUÍA DE ESCAPE                                  |
| 7   | V804000030  | 5    | +BOLT, TORX 4x8                     | +PERNO TORX 4x8                                  |
| 8   | V150000371  | 1    | +PLATE, EYE                         | +PLACA   |
| 9   | V805000190  | 2    | +BOLT, TORX 5x55                    | +PERNO TORX 5x55                                 |
| 10  | A320000480  | 1    | COVER, MUFFLER                      | CUBIERTA DEL SILENCIADOR                         |
| 11  | V805000000  | 2    | BOLT, TORX 5x16                     | PERNO TORX 5x16                                  |
| 12  | P021051670  | 1    | GASKET KIT: ENGINE, INTAKE, EXHAUST | JUEGO DE EMPAQUETADURA - MOTOR, ADMISIÓN, ESCAPE |

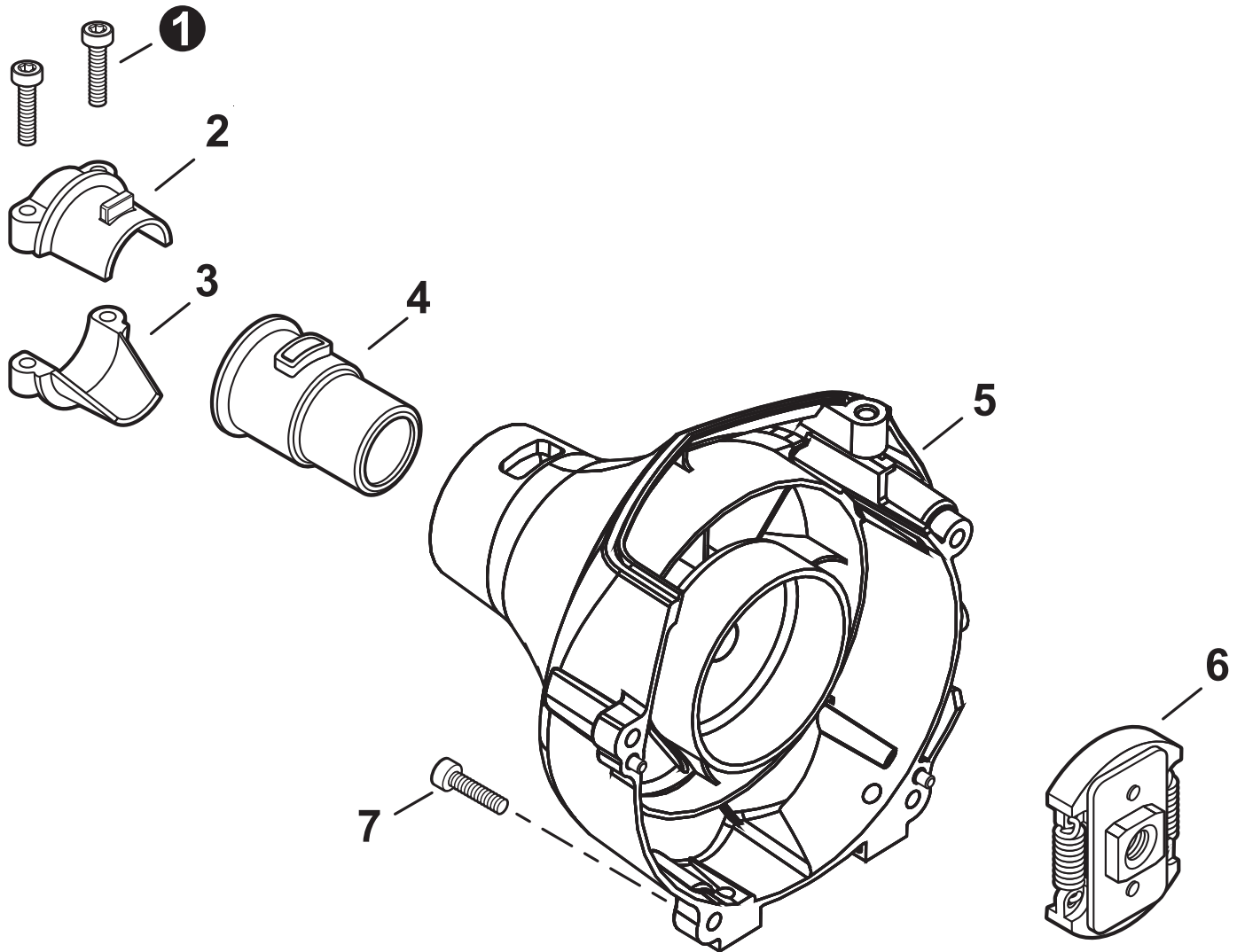




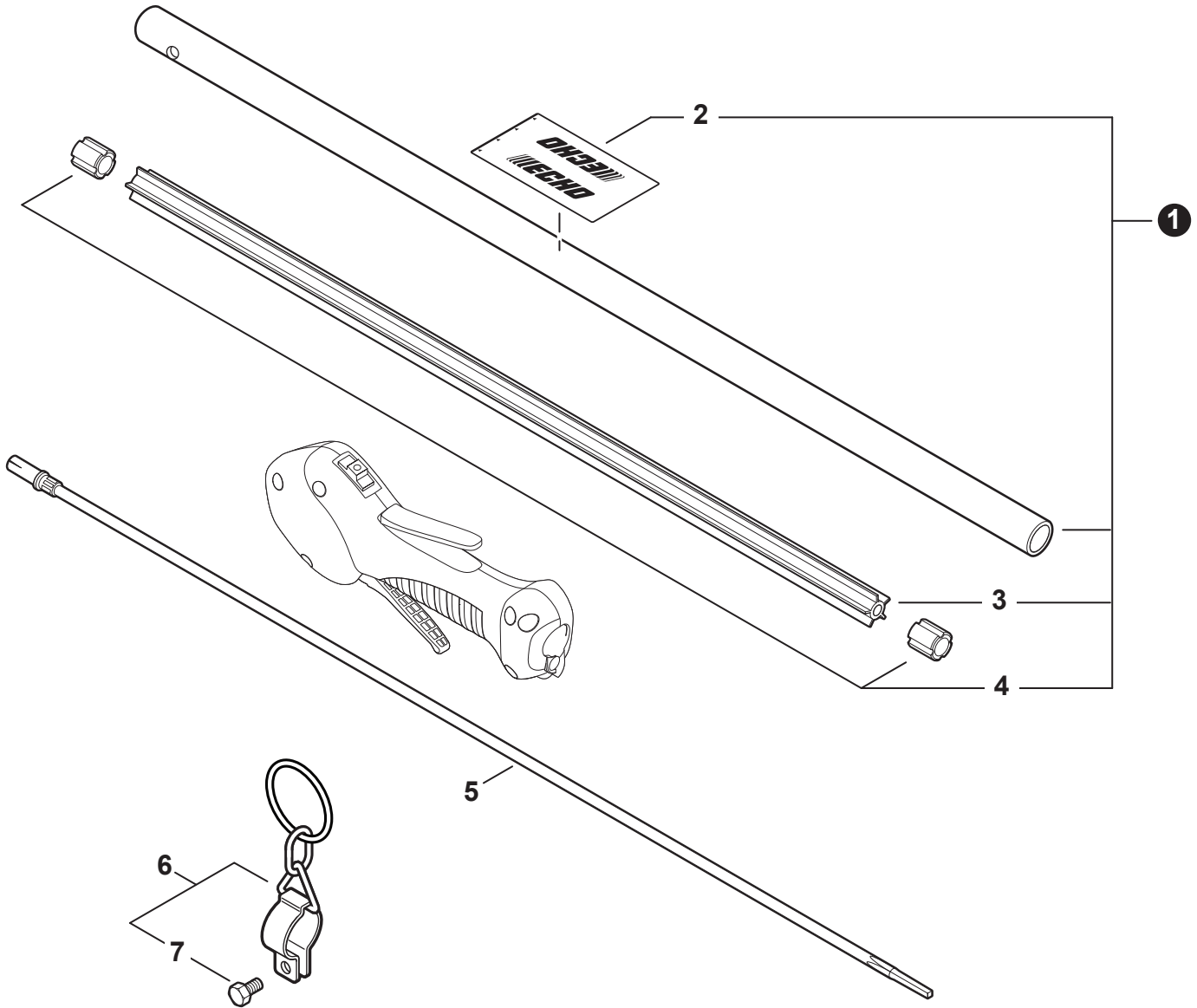
| NO. | PART NUMBER | QTY. | DESCRIPTION          | DESCRIPCIÓN                          |
|-----|-------------|------|----------------------|--------------------------------------|
| 1   | A052000180  | 1    | PAWL ASSY, STARTER   | MONTAJE DE TRINQUETE                 |
| 2   | P022002100  | 2    | +E-RING 4            | +RETENEDOR TIPO "E" 4                |
| 3   | 17723412220 | 2    | +SPRING, RETURN      | +RESORTE DE RETORNO                  |
| 4   | P022006850  | 2    | +PAWL, STARTER       | +TRINQUETE                           |
| 5   | A051001322  | 1    | STARTER ASSY, RECOIL | MONTAJE DE ARRANCADOR AUTORRETRÁCTIL |
| 6   | V253000310  | 1    | +SCREW 5             | +TORNILLO 5                          |
| 7   | P050009920  | 1    | +REEL/CAM PLATE SET  | +JUEGO DE CARRETE/PLACA DE LEVA      |
| 8   | A525000020  | 1    | ++PLATE, CAM         | ++PLACA DE LEVA                      |
| 9   | P022008270  | 1    | ++SPRING, TORSION    | ++RESORTE DE TORSIÓN                 |
| 10  | A506000500  | 1    | ++REEL, ROPE         | ++CARRETE DE CUERDA                  |
| 11  | P022008260  | 1    | +ROPE, STARTER 3x700 | +CUERDA DEL ARRANCADOR 3x700         |
| 12  | 17722827030 | 1    | +GRIP, STARTER       | +AGARRE DEL ARRANCADOR               |
| 13  | P022037670  | 1    | +RETAINER, ROPE      | +RETENEDOR DE CUERDA                 |
| 14  | P022019680  | 1    | +SPRING, RECOIL      | +RESORTE RECULAR                     |
| 15  | V804000060  | 4    | BOLT, TORX 4x16      | PERNO TORX 4x16                      |



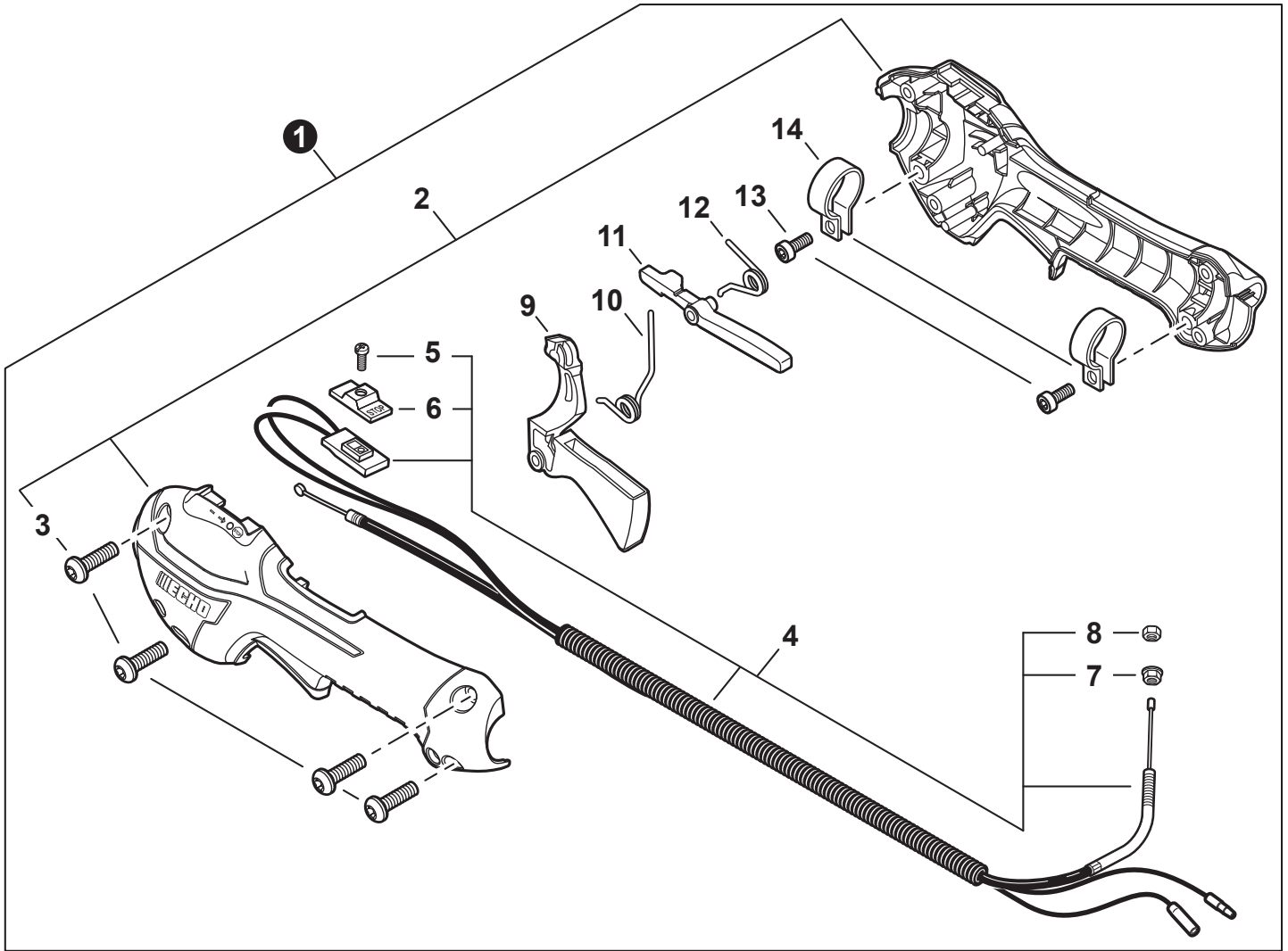
| NO. | PART NUMBER | QTY. | DESCRIPTION                | DESCRIPCIÓN                              |
|-----|-------------|------|----------------------------|--|
| 1   | 90251Y      | 1    | FUEL SYSTEM KIT - YOUCAN™  | KIT DEL SISTEMA DE COMBUSTIBLE - YOUCAN™ |
| 2   | 13201049730 | 1    | +PIPE, FUEL 3x6x85 YELLOW  | +TUBO DE COMBUSTIBLE 3x6x85 AMARILLO     |
| 3   | A356000031  | 1    | +VENT ASSY                 | +VÁLVULA DE RESPIRADERO                  |
| 4   | V490001240  | 3    | +CLIP 6                    | +SUJETADOR 6                             |
| 5   | V471001211  | 1    | +PIPE, FUEL 3x5x90 BLACK   | +TUBO DE COMBUSTIBLE 3x5x90 NEGRO        |
| 6   | V471005630  | 1    | +PIPE, FUEL 3x5.5x78 BLACK | +TUBO DE COMBUSTIBLE 3x5.5x78 NEGRO      |
| 7   | 13211555931 | 1    | +GROMMET, FUEL             | +OJAL DE COMBUSTIBLE                     |
| 8   | V186000520  | 1    | +CONNECTOR, PIPE 5x3.5     | +CONECTOR DE TUBO 5x3.5                  |
| 9   | V471005840  | 1    | +PIPE, FUEL 3x5x105 BLACK  | +TUBO DE COMBUSTIBLE 3x5x105 NEGRO       |
| 10  | A369000480  | 1    | +FILTER, FUEL              | +FILTRO DE COMBUSTIBLE                   |
| 11  | V107000150  | 1    | +GASKET, FUEL CAP          | +EMPAQUETADURA DE TAPA DE COMBUSTIBLE    |
| 12  | P021040430  | 1    | CAP ASSY, FUEL             | MONTAJE DE TAPA DE COMBUSTIBLE           |
| 13  | V107000150  | 1    | +GASKET, FUEL CAP          | +EMPAQUETADURA DE TAPA DE COMBUSTIBLE    |
| 14  | A365000060  | 1    | +CONNECTOR, CAP L= 123     | +CONECTOR DE TAPA L= 123                 |
| 15  | A350002790  | 1    | TANK ASSY, FUEL            | MONTAJE DE TANQUE DE COMBUSTIBLE         |
| 16  | A175000410  | 1    | GUARD, FUEL TANK           | PROTECTOR, TANQUE DE COMBUSTIBLE         |
| 17  | V805000170  | 3    | BOLT, TORX 5x25            | PERNO TORX 5x25                          |
| 18  | 90152Y      | 1    | TUNE-UP KIT - YOUCAN™      | JUEGO DE PUESTA A PUNTO - YOUCAN™        |



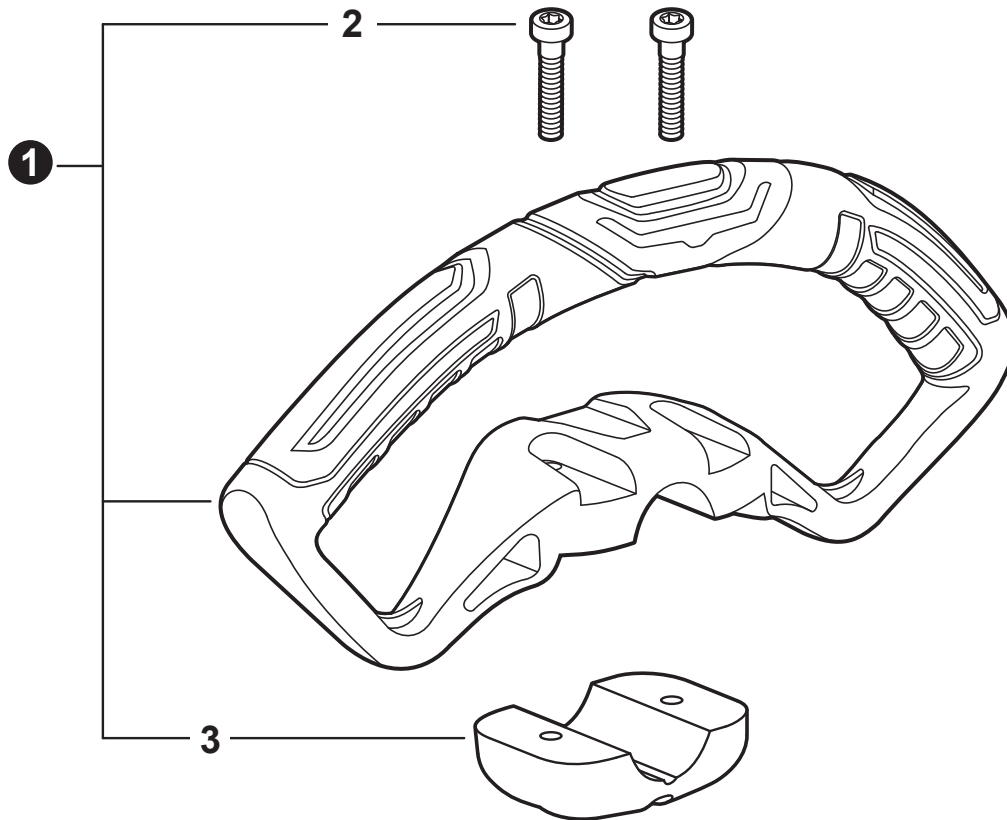
| NO. | PART NUMBER | QTY. | DESCRIPTION               | DESCRIPCIÓN                        |
|-----|-------------|------|---------------------------|------------------------------------|
| 1   | V805000160  | 2    | BOLT, TORX 5x20           | PERNO TORX 5x20                    |
| 2   | A575000780  | 1    | HOLDER, MAIN PIPE - UPPER | SOPORTE - SUPERIOR, TUBO PRINCIPAL |
| 3   | A575000790  | 1    | HOLDER, MAIN PIPE - LOWER | SOPORTE - INFERIOR, TUBO PRINCIPAL |
| 4   | V420005690  | 1    | CUSHION, MAIN PIPE        | AMORTIGUADOR DE TUBO PRINCIPAL     |
| 5   | P021053920  | 1    | COVER ASSY, FAN           | MONTAJE DE CUBIERTA DE VENTILADOR  |
| 6   | A056000820  | 1    | CLUTCH ASSY               | MONTAJE DE EMBRAGUE                |
| 7   | V804000060  | 4    | BOLT, TORX 4x16           | PERNO TORX 4x16                    |



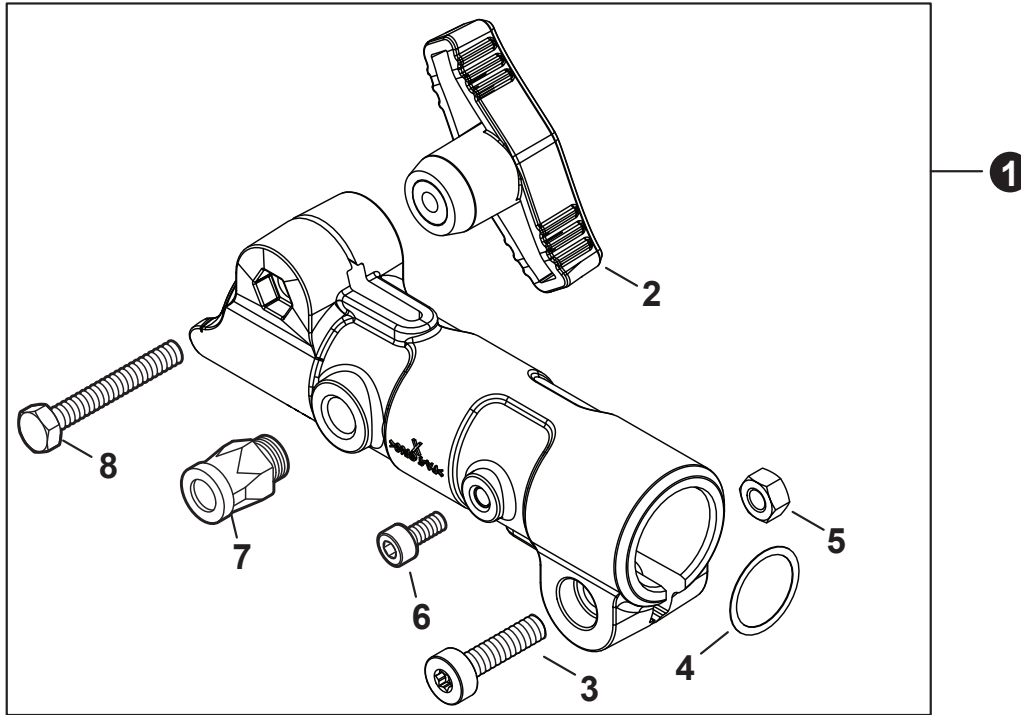
| NO. | PART NUMBER | QTY. | DESCRIPTION              | DESCRIPCIÓN                     |
|-----|-------------|------|--------------------------|---------------------------------|
| 1   | C050003160  | 1    | MAIN PIPE ASSY           | MONTAJE DE TUBO PRINCIPAL       |
| 2   | X505001930  | 1    | +LABEL - HANDLE LOCATION | +ETIQUETA - UBICACIÓN DEL MANGO |
| 3   | C507000230  | 1    | +LINER - FLEXIBLE        | +FORRO - FLEXIBLE               |
| 4   | 61024644730 | 2    | +STOPPER                 | +RETENEDOR                      |
| 5   | C506000800  | 1    | DRIVESHAFT - FLEXIBLE    | EJE DE MANDO - FLEXIBLE         |
| 6   | P021051240  | 1    | HANGER SET, HARNESS      | JUEGO DE COLGADOR DE ARNÉS      |
| 7   | V805000140  | 1    | +BOLT, TORX 5x12         | +PERNO TORX 5x12                |



| NO. | PART NUMBER | QTY. | DESCRIPTION              | DESCRIPCIÓN                      |
|-----|-------------|------|--------------------------|----------------------------------|
| 1   | P021044483  | 1    | CONTROL HANDLE ASSY      | MONTAJE DE MANGO DE CONTROL      |
| 2   | P021044371  | 1    | +CONTROL HANDLE KIT      | +JUEGO DE MANGO DE CONTROL       |
| 3   | V805000000  | 4    | ++BOLT, TORX 5x16        | ++PERNO TORX 5x16                |
| 4   | P021044750  | 1    | +CABLE ASSY, CONTROL     | +MONTAJE DE CABLE PARA CONTROL   |
| 5   | 9154503010  | 1    | ++SCREW 3x10             | ++TORNILLO 3x10                  |
| 6   | A444000020  | 1    | ++KNOB, SWITCH - ORANGE  | ++BOTÓN DE INTERRUPTOR - NARANJA |
| 7   | 90051800006 | 1    | ++NUT, FLANGE M6         | ++TUERCA-BRIDA M6                |
| 8   | 90050200006 | 1    | ++NUT M6                 | ++TUERCA M6                      |
| 9   | C453000482  | 1    | +TRIGGER, THROTTLE       | +GATILLO DEL ACELERADOR          |
| 10  | V452001520  | 1    | +SPRING, TORSION         | +RESORTE DE TORSIÓN              |
| 11  | C460000441  | 1    | +LEVER, THROTTLE LOCKOUT | +PALANCA SEGURO DEL ACELERADOR   |
| 12  | V452001510  | 1    | +SPRING, TORSION         | +RESORTE DE TORSIÓN              |
| 13  | V805000150  | 2    | +BOLT, TORX 5x16         | +PERNO TORX 5x16                 |
| 14  | V495003020  | 2    | +CLAMP                   | +ABRAZADERA                      |



| NO. | PART NUMBER | QTY. | DESCRIPTION          | DESCRIPCIÓN                 |
|-----|-------------|------|----------------------|-----------------------------|
| 1   | P021049580  | 1    | HANDLE ASSY, SUPPORT | MONTAJE DE MANGO DE SOPORTE |
| 2   | V805000050  | 2    | +BOLT, TORX 5x30     | +PERNO TORX 5x30            |
| 3   | C423001010  | 1    | +BRACKET, HANDLE     | +SOPORTE DE MANGO           |



| NO. | PART NUMBER | QTY. | DESCRIPTION          | DESCRIPCIÓN           |
|-----|-------------|------|----------------------|-----------------------|
| 1   | C510000350  | 1    | COUPLER ASSY         | MONTAJE DE UNIÓN      |
| 2   | V299000660  | 1    | +THUMBSCREW          | +TORNILLO DE OREJETAS |
| 3   | V806000020  | 1    | +BOLT, TORX 6x25     | +PERNO TORX 6x25      |
| 4   | V312000010  | 1    | +WASHER 18 SPR STEEL | +ARANDELA 18          |
| 5   | 90051400006 | 1    | +NUT                 | +TUERCA               |
| 6   | V805000240  | 1    | +BOLT, TORX 5x12     | +PERNO TORX 5x12      |
| 7   | 17830256630 | 1    | +LATCH ASSY          | +MONTAJE DE PESTILLO  |
| 8   | 9108506040  | 1    | +BOLT 6x40           | +PERNO 6x40           |



| NO. | PART NUMBER | QTY. | DESCRIPTION                 | DESCRIPCIÓN                |
|-----|-------------|------|-----------------------------|----------------------------|
| 1   | X532005130  | 1    | LABEL - SPARK PLUG - BPM8Y  | ETIQUETA DE BUJÍA BPM8Y    |
| 2   | X532004970  | 1    | LABEL - SPARK PLUG - BPMR8Y | ETIQUETA DE BUJÍA BPMR8Y   |
| 3   | X548000060  | 1    | LABEL - MODEL PAS-225       | ETIQUETA MODELO PAS-225    |
| 4   | 89012152730 | 1    | LABEL - CHOKE               | ETIQUETA DEL ESTRANGULADOR |
| 5   | 89033252730 | 1    | LABEL - CHOKE               | ETIQUETA DEL ESTRANGULADOR |

**Tools**  
Herramientas



| NO. | PART NUMBER | QTY. | DESCRIPTION       | DESCRIPCIÓN     |
|-----|-------------|------|-------------------|-----------------|
| 1   | X605000060  | 1    | WRENCH, T27 80x30 | LLAVE T27 80x30 |

| NO. | PART NUMBER   | QTY.     | DESCRIPTION                                | DESCRIPCIÓN   |
|-----|---------------|----------|--|---|
| 1   | P021051670    | 1        | <b>GASKET KIT: ENGINE, INTAKE, EXHAUST</b> | <b>JUEGO DE EMPAQUETADURA - MOTOR, ADMISIÓN, ESCAPE</b> |
| 2   | 10024242030   | 1        | +GASKET, CRANKCASE                         | +EMPAQUETADURA DE CÁRTER                                |
| 3   | 10101044332   | 1        | +GASKET, CYLINDER                          | +EMPAQUETADURA DE CILINDRO                              |
| 4   | V103002190    | 1        | +GASKET, INTAKE                            | +EMPAQUETADURA DE ADMISIÓN                              |
| 5   | V103001360    | 1        | +HEAT SHIELD, INTAKE                       | +PROTECTOR TÉRMICO DEL ADMISIÓN                         |
| 6   | V104000850    | 1        | +HEAT SHIELD, EXHAUST                      | +PROTECTOR TÉRMICO DEL ESCAPE                           |
| 7   | V104001761    | 1        | +GASKET, EXHAUST                           | +EMPAQUETADURA DE ESCAPE                                |
| 8   | <b>90152Y</b> | <b>1</b> | <b>TUNE-UP KIT - YOUCAN™</b>               | <b>JUEGO DE PUESTA A PUNTO - YOUCAN™</b>                |
| 9   | A226001410    | 1        | +FILTER, AIR - DOUBLE LAYER                | +FILTRO DE AIRE - CAPA DOBLE                            |
| 10  | A369000470    | 1        | +FILTER, FUEL                              | +FILTRO DE COMBUSTIBLE                                  |
| 11  | A425000000    | 1        | +SPARK PLUG - BPMR8Y                       | +BUJÍA - BPMR8Y   |
| 12  | <b>90251Y</b> | <b>1</b> | <b>FUEL SYSTEM KIT - YOUCAN™</b>           | <b>KIT DEL SISTEMA DE COMBUSTIBLE - YOUCAN™</b>         |
| 13  | 13201049730   | 1        | +PIPE, FUEL 3x6x85 YELLOW                  | +TUBO DE COMBUSTIBLE 3x6x85 AMARILLO                    |
| 14  | A356000031    | 1        | +VENT ASSY                                 | +VÁLVULA DE RESPIRADERO                                 |
| 15  | V490001240    | 3        | +CLIP 6                                    | +SUJETADOR 6  |
| 16  | V471001211    | 1        | +PIPE, FUEL 3x5x90 BLACK                   | +TUBO DE COMBUSTIBLE 3x5x90 NEGRO                       |
| 17  | V471005630    | 1        | +PIPE, FUEL 3x5.5x78 BLACK                 | +TUBO DE COMBUSTIBLE 3x5.5x78 NEGRO                     |
| 18  | 13211555931   | 1        | +GROMMET, FUEL                             | +OJAL DE COMBUSTIBLE                                    |
| 19  | V186000520    | 1        | +CONNECTOR, PIPE 5x3.5                     | +CONECTOR DE TUBO 5x3.5                                 |
| 20  | V471005840    | 1        | +PIPE, FUEL 3x5x105 BLACK                  | +TUBO DE COMBUSTIBLE 3x5x105 NEGRO                      |
| 21  | A369000480    | 1        | +FILTER, FUEL                              | +FILTRO DE COMBUSTIBLE                                  |
| 22  | V107000150    | 1        | +GASKET, FUEL CAP                          | +EMPAQUETADURA DE TAPA DE COMBUSTIBLE                   |
| 23  | P005003120    | 1        | +BULB, PURGE                               | +BULBO DE PURGA   |
| 24  | <b>90116Y</b> | <b>1</b> | <b>FILTER KIT, AIR - YOUCAN™</b>           | <b>JUEGO PARA FILTRO DE AIRE - YOUCAN™</b>              |
| 25  | V299000250    | 1        | +THUMBSCREW                                | +TORNILLO DE OREJETAS                                   |
| 26  | A232001850    | 1        | +COVER, AIR FILTER                         | +CUBIERTA DEL FILTRO DE AIRE                            |
| 27  | 89012152730   | 1        | +LABEL - CHOKE                             | +ETIQUETA DEL ESTRANGULADOR                             |
| 28  | A226001410    | 1        | +FILTER, AIR - DOUBLE LAYER                | +FILTRO DE AIRE - CAPA DOBLE                            |

**Bulk Pipe**  
Tubo Al Por Mayor

| NO. | PART NUMBER | QTY. | DESCRIPTION                             | DESCRIPCIÓN  |
|-----|-------------|------|---|--|
| 1   | 90014       | 1    | BULK PIPE - 3x5 MM BLACK (4 PIECESx2 M) | TUBO AL POR MAYOR 3x5 MM NEGRO (4 PIEZASx2 M)        |
| 2   | 90015       | 1    | BULK PIPE - 3x6 MM BLACK (4 PIECESx2 M) | TUBO AL POR MAYOR 3x6 MM NEGRO (4 PIEZASx2 M)        |
| 3   | 90016       | 1    | BULK PIPE - 3x7 MM BLACK (4 PIECESx2 M) | TUBO AL POR MAYOR 3x7 MM NEGRO (4 PIEZASx2 M)        |
| 4   | 90017       | 1    | BULK PIPE - 3x6 MM CLEAR (4 PIECESx2 M) | TUBO AL POR MAYOR 3x6 MM TRANSPARENTE (4 PIEZASx2 M) |
| 5   | 90018       | 1    | BULK PIPE - 2x4 MM CLEAR (4 PIECESx2 M) | TUBO AL POR MAYOR 2x4 MM TRANSPARENTE (4 PIEZASx2 M) |

**Bulk Starter Rope**  
Cuerda Del Arrancador Al Por Mayor

| NO. | PART NUMBER | QTY. | DESCRIPTION                     | DESCRIPCIÓN                                    |
|-----|-------------|------|---------------------------------|--|
| 1   | 99944435000 | 1    | BULK STARTER ROPE - 2.3 MMx61 M | CUERDA DEL ARRANCADOR AL POR MAYOR 2.3 MMx61 M |
| 2   | 99944440000 | 1    | BULK STARTER ROPE - 3.0 MMx61 M | CUERDA DEL ARRANCADOR AL POR MAYOR 3.0 MMx61 M |
| 3   | 99944445000 | 1    | BULK STARTER ROPE - 3.5 MMx61 M | CUERDA DEL ARRANCADOR AL POR MAYOR 3.5 MMx61 M |
| 4   | 99944450000 | 1    | BULK STARTER ROPE - 4.0 MMx61 M | CUERDA DEL ARRANCADOR AL POR MAYOR 4.0 MMx61 M |
| 5   | 99944455000 | 1    | BULK STARTER ROPE - 4.4 MMx61 M | CUERDA DEL ARRANCADOR AL POR MAYOR 4.4 MMx61 M |
| 6   | 99944460000 | 1    | BULK STARTER ROPE - 4.8 MMx61 M | CUERDA DEL ARRANCADOR AL POR MAYOR 4.8 MMx61 M |

## Attachments

Accesorios de diferentes usos

**ECHO** PAS-225  
Pro Attachment Series™



- 1 For Trimmer Parts see 99944200540 Parts Catalog.**  
Para las piezas de la podadora ver 99944200540 en el catálogo  
*Pour les pièces de rechange coupe-herbe voir catalogue des pièces 99944200540*

- 2 For Trimmer Parts see 99944200501 Parts Catalog.**  
Para las piezas de la podadora ver 99944200501 en el catálogo  
*Pour les pièces de rechange coupe-herbe voir catalogue des pièces 99944200501*



- 3 For Edger Parts see 99944200470 Parts Catalog.**  
Para las piezas de la orilladora ver 99944200470 en el catálogo  
*Pour les pièces de rechange taille-bordure voir catalogue des pièces 99944200470*



- 4 For Edger Parts see 99944200503 Parts Catalog.**  
Para las piezas de la orilladora ver 99944200503 en el catálogo  
*Pour les pièces de rechange taille-bordure voir catalogue des pièces 99944200503*



- 5 For Blower Parts see 99944200490 Parts Catalog.**  
Para las piezas de la sopladora ver 99944200490 en el catálogo  
*Pour les pièces de rechange soufflante voir catalogue des pièces 99944200490*

| NO. | PART NUMBER | QTY. | DESCRIPTION        | DESCRIPCIÓN                  |
|-----|-------------|------|--------------------|------------------------------|
| 1   | 99944200540 | 1    | TRIMMER ATTACHMENT | ADAPTADOR PARA LA PODADORA   |
| 2   | 99944200501 | 1    | TRIMMER ATTACHMENT | ADAPTADOR PARA LA PODADORA   |
| 3   | 99944200470 | 1    | EDGER ATTACHMENT   | ADAPTADOR PARA LA ORILLADORA |
| 4   | 99944200503 | 1    | EDGER ATTACHMENT   | ADAPTADOR PARA LA ORILLADORA |
| 5   | 99944200490 | 1    | BLOWER ATTACHMENT  | ADAPTADOR PARA LA SOPLADOR   |