



OPTIONAL ATTACHMENTS & ACCESSORIES

Accessories

001107	Power Blower Tube Helper Handle
99944100010	Rain Gutter Kit
99944100020	Tube Loop Handle
99944100030	PB_ES Shoulder Strap
PBAV-4600	Vacuum Attachment

PARTS CATALOG
PB-413H Power
Blower

44cc

SERIAL NUMBERS

S/N: P08011001001 - P08011999999

ECHO, INCORPORATED

400 Oakwood Road Lake Zurich, Illinois 60047 USA

WWW.ECHO-USA.COM



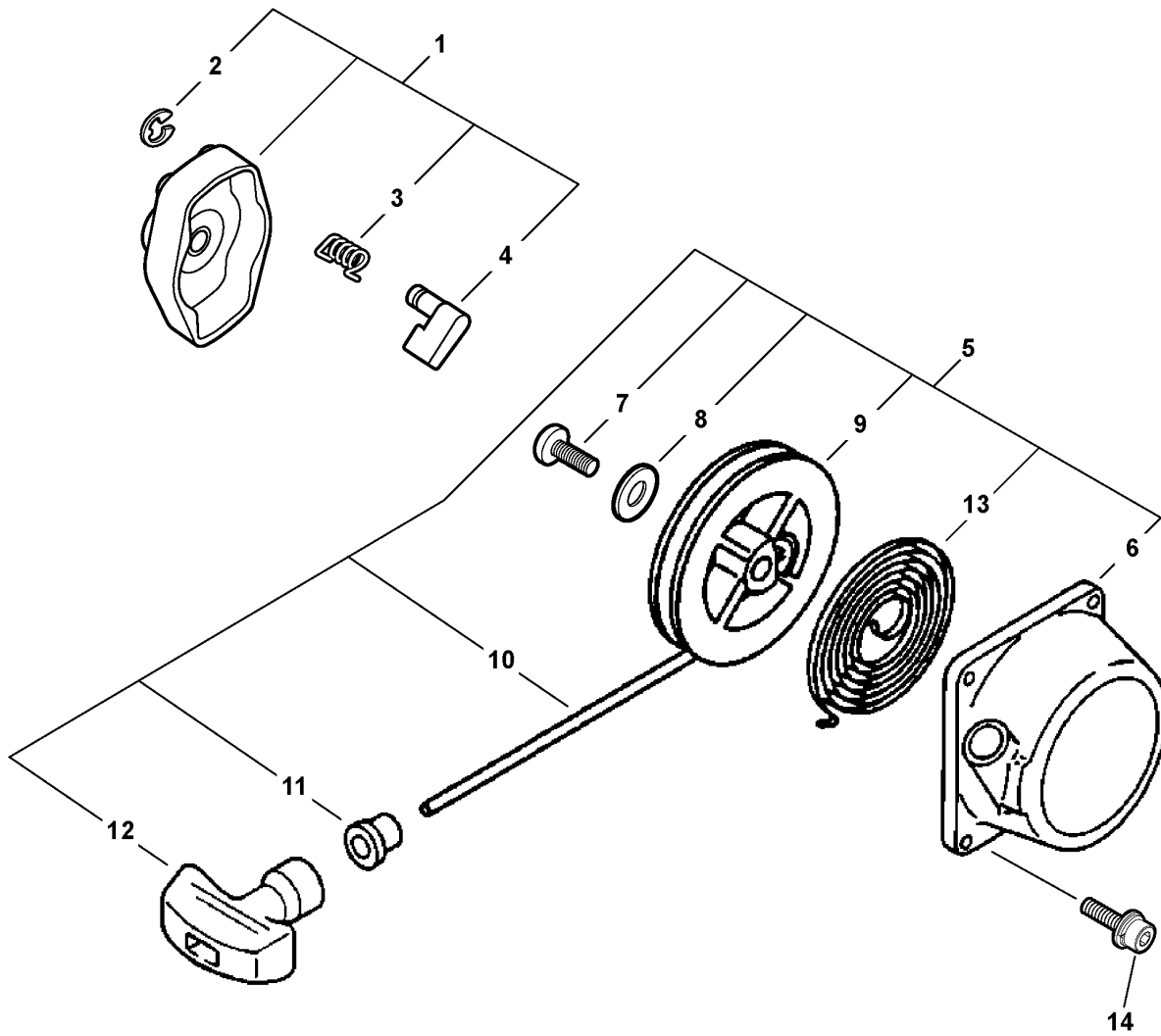
Table of Contents

Click Any Diagram Description Below To View That Diagram.

PB-413H S/N: P08011001001 - P08011999999

Starter -- Standard.....	4
Intake, Cylinder Cover.....	6
Carburetor -- C1M-K77.....	8
Exhaust.....	10
Ignition.....	12
Engine, Short Block -- SB1077.....	14
Hip Mount Throttle.....	16
Fan Case, Blower Fan, Engine Cover.....	18
Fuel System.....	20
Backpack Frame, Harness.....	22
Blower Tubes.....	24
Labels.....	26
Gasket Kit.....	28
RePower Tune-Up Kit.....	30
Part Number Index.....	32
Part Description Index.....	33

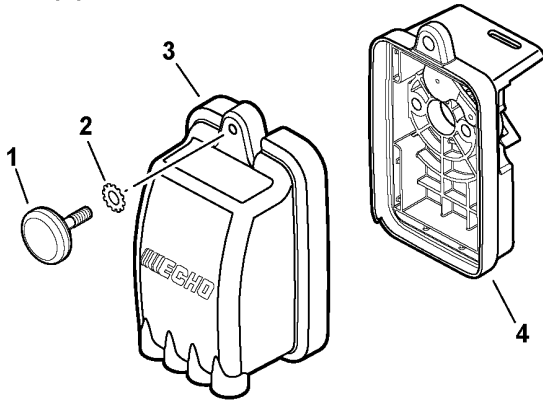
This Page Intentionally Left Blank



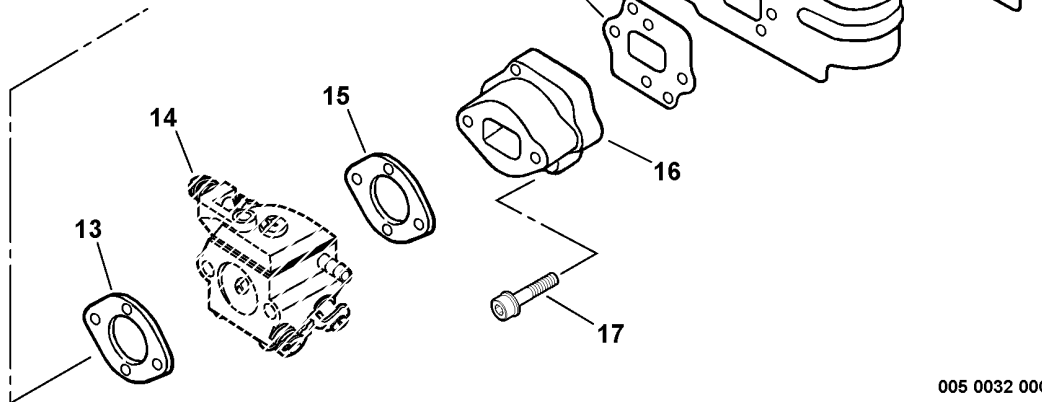
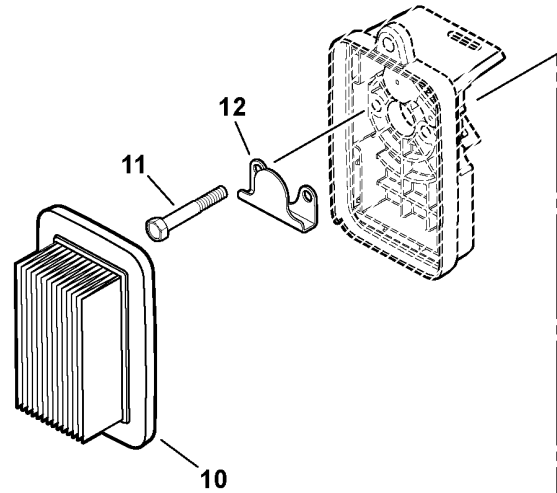
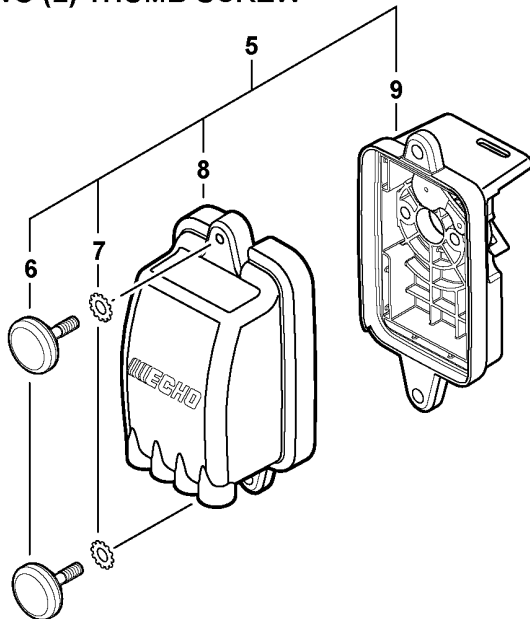
004 0031 000

ITEM	PART NUMBER	QTY	DESCRIPTION	REMARKS
1	17720206210	1	STARTER PAWL ASY	INCLUDES ITEMS 2-4
2	90070000004	1	E-RING	
3	17723440630	1	SPRING, RETURN	
4	17721840630	1	PAWL, STARTER	
5	17720021260	1	STARTER ASY	INCLUDES ITEMS 6-13
6	17723206210	1	CASE, STARTER	
7	17723640630	1	SCREW	
8	17721440630	1	WASHER	
9	17721511120	1	DRUM, STARTER	
10	17722611120	1	ROPE, STARTER - 4X1350mm	REPOWER BULK OPTION: 99944450000
11	17722742030	1	GUIDE, ROPE	
12	17722801110	1	GRIP, STARTER	
13	17722011120	1	SPRING, REWIND	
14	90016304018	4	SCREW 4X18	

ONE (1) THUMB SCREW



TWO (2) THUMB SCREW



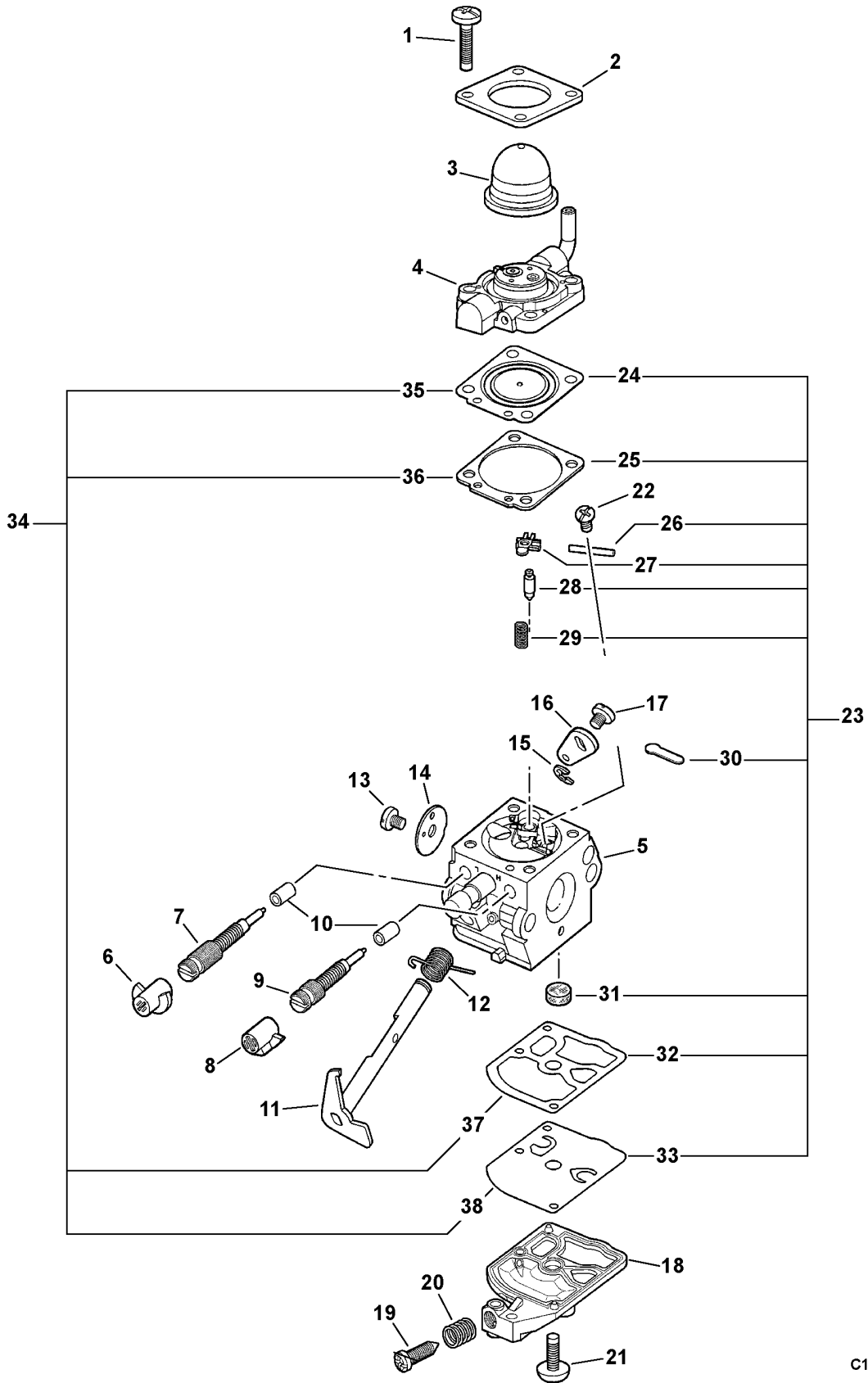
005 0032 00C

ITEM	PART NUMBER	QTY	DESCRIPTION	REMARKS
1	V299000290	1	THUMB SCREW	
2	V340000210	1	LOCK WASHER	
3	-----	1	LID, AIR CLEANER	Item No Longer Available. Use Kit P021014430
4	-----	1	AIR CLEANER CASE ASY	Item No Longer Available. Use Kit P021014430
5	P021014430	1	AIR CLEANER KIT	INCLUDES ITEMS 6-9
6	V299000290	2	THUMB SCREW	
7	V340000210	2	LOCK WASHER	
8	A232000081	1	LID, AIR CLEANER	
9	P021002522	1	AIR CLEANER CASE ASY	
10	A226000032	1	FILTER, AIR ¹	
11	90010505060	2	SCREW 5X60	
12	A244000020	1	PLATE, PREVENT	
13	13001603731	1	GASKET, INTAKE ²	
14	-----	1	CARBURETOR	See Carburetor Diagrams For Additional Information
15	13001606434	1	GASKET, INTAKE ²	
16	13000708261	1	INSULATOR, INTAKE	
17	90016205025	2	SCREW 5X25	
18	V103000000	1	GASKET, INTAKE ²	
19	10151408260	1	COVER, CYLINDER	
20	90023805010	1	SCREW 5X10	
21	13001606211	1	SHIELD, CYLINDER ²	

Footnotes

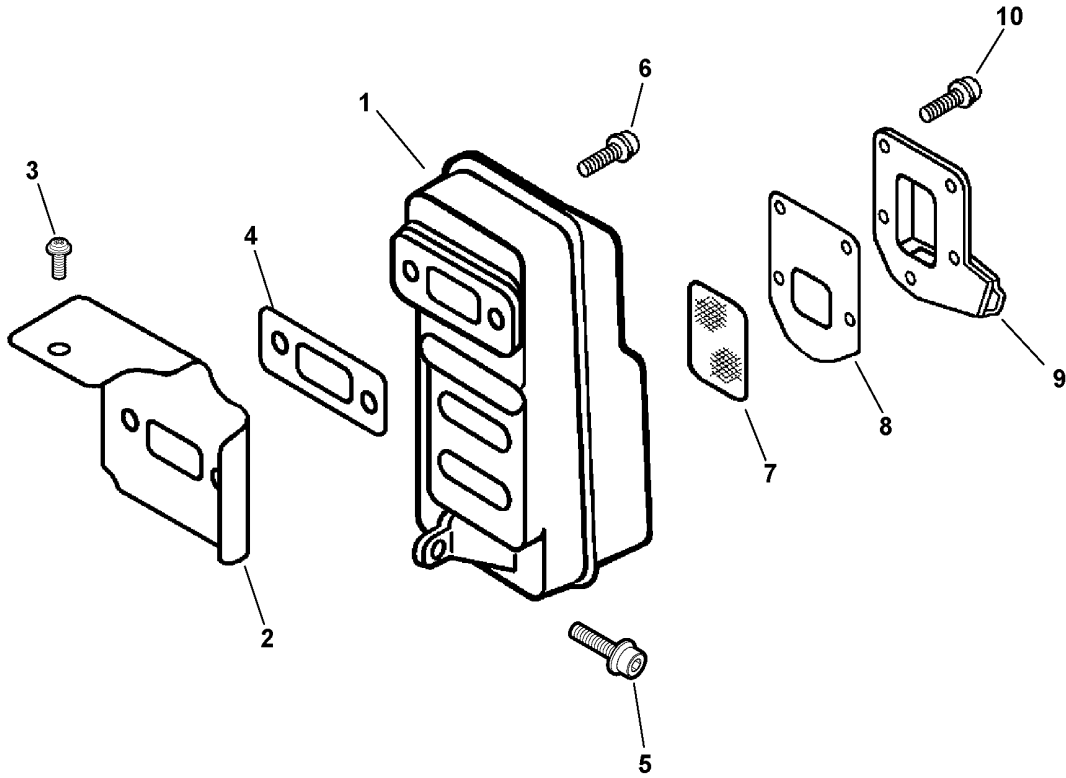
1: Also Included In REPOWER TUNE-UP KIT

2: Also Included In GASKET KIT



C1MK77 0000 000

ITEM	PART NUMBER	QTY	DESCRIPTION	REMARKS
	A021000890	1	CARBURETOR -- C1M-K77	
1	P005000980	4	SCREW, PURGE BASE	
2	P005000620	1	RETAINER, PURGE BULB	
3	12538108660	1	BULB, PURGE	
4	P005000610	1	BASE, PURGE	
5	-----	1	BODY, CARBURETOR	NOT AVAILABLE SEPARATELY
6	12532909860	1	CAP, LIMITER - LOW SPEED	
7	P005000460	1	NEEDLE - LOW SPEED	
8	12532908560	1	CAP, LIMITER - HIGH SPEED	
9	P005001650	1	NEEDLE - HIGH SPEED	
10	12536312820	2	RETAINER	
11	P005001640	1	SHAFT, THROTTLE	
12	12531308360	1	SPRING, THROTTLE RETURN	
13	12531413930	1	SCREW, THROTTLE VALVE	
14	12531613930	1	VALVE, THROTTLE	
15	12532713930	1	CLIP, THROTTLE SHAFT	
16	12535008360	1	LEVER, THROTTLE	
17	12534813930	1	SCREW, THROTTLE LEVER	
18	12532408360	1	COVER, FUEL PUMP	
19	12534408560	1	SCREW, IDLE ADJUST	
20	12533308560	1	SPRING, IDLE ADJUST	
21	12531013930	1	SCREW, FUEL PUMP COVER	
22	12533913930	1	SCREW, METERING LEVER PIN	
23	12530008360	1	REPAIR KIT	INCLUDES ITEMS 24-33
24	-----	1	DIAPHRAGM, METERING	
25	-----	1	GASKET, METERING DIAPHRAGM	
26	-----	1	PIN, METERING LEVER	
27	-----	1	LEVER, METERING	
28	-----	1	VALVE INLET, NEEDLE	
29	-----	1	SPRING, METERING LEVER	
30	-----	1	WELCH PLUG	
31	-----	1	STRAINER	
32	-----	1	DIAPHRAGM, FUEL PUMP	
33	-----	1	GASKET, FUEL PUMP	
34	12530308360	1	DIAPHRAGM/GASKET KIT	INCLUDES ITEMS 35-38
35	-----	1	DIAPHRAGM, METERING	
36	-----	1	GASKET, METERING DIAPHRAGM	
37	-----	1	DIAPHRAGM, FUEL PUMP	
38	-----	1	GASKET, FUEL PUMP	

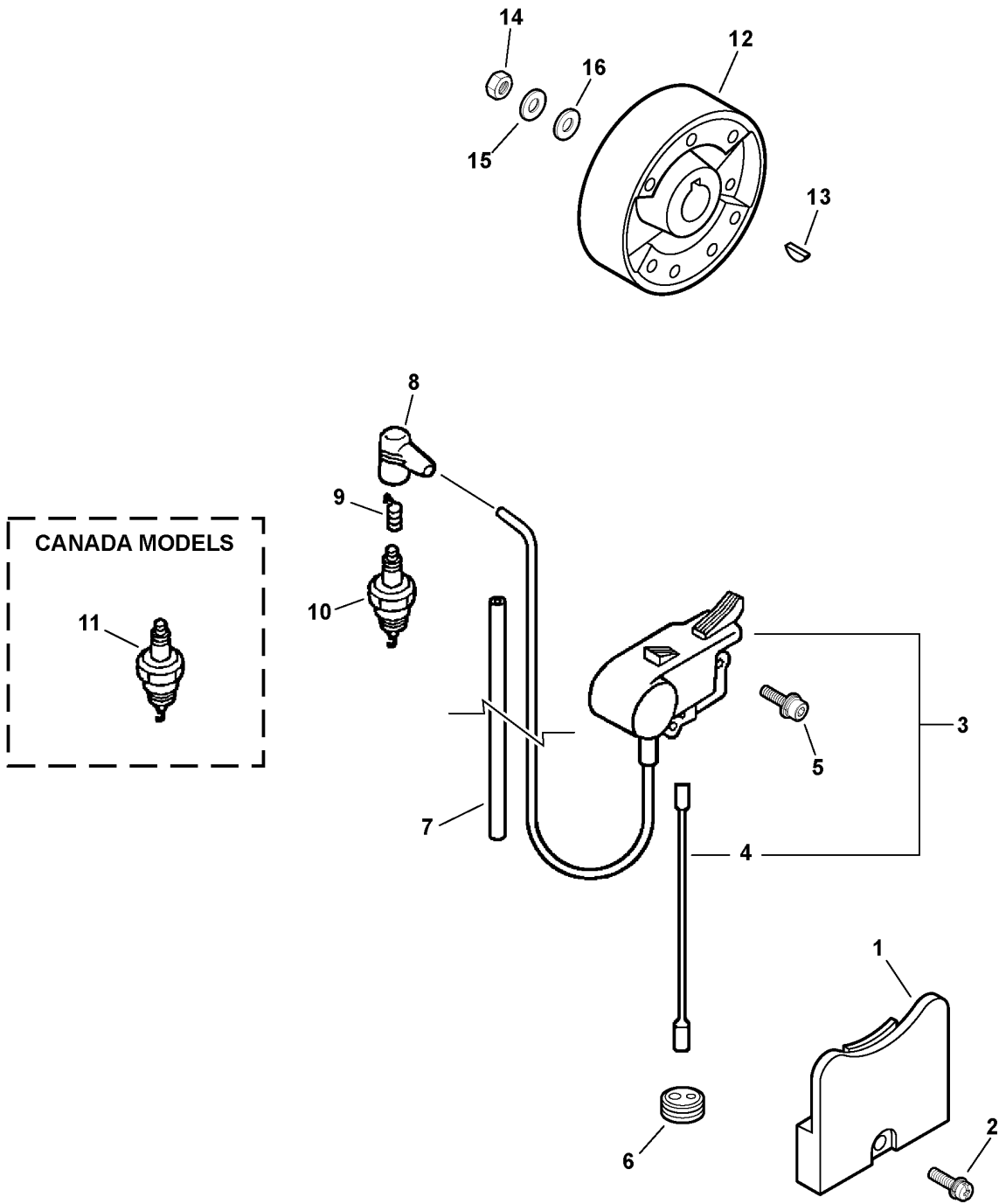


006 0017 000

ITEM	PART NUMBER	QTY	DESCRIPTION	REMARKS
1	A300000204	1	MUFFLER	
2	A160000290	1	COVER, CYLINDER	
3	90023805010	1	SCREW 5X10	
4	14551006211	2	GASKET, EXHAUST ¹	
5	90010605020	1	SCREW 5X20	
6	90010506020	2	SCREW 6X20	
7	14586206720	1	SCREEN, MUFFLER	
8	V104000220	1	GASKET, EXHAUST ¹	
9	A313000260	1	GUIDE, EXHAUST	
10	90023804010	5	SCREW 4X10	

Footnotes

¹: Also Included In GASKET KIT

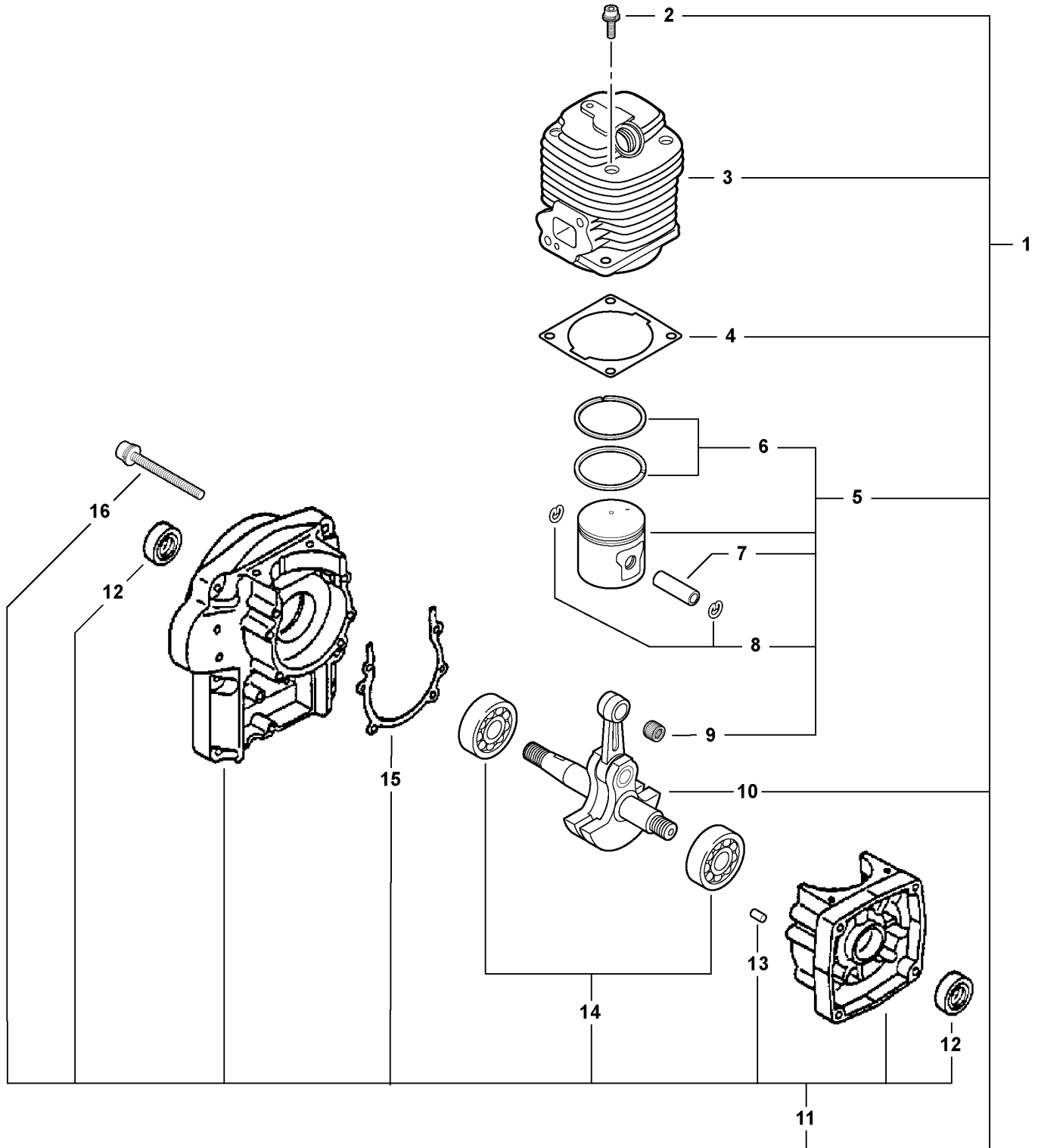


007 0011 000

ITEM	PART NUMBER	QTY	DESCRIPTION	REMARKS
1	15912908260	1	COVER, DUST	
2	90023805018	1	SCREW 5X18	
3	15660109861	1	C.D. IGNITION MODULE	INCLUDES ITEM 4
4	V485000190	1	LEAD, GROUND	
5	90023805018	2	SCREW 5X18	
6	15111204630	1	GROMMET	
7	15611106160	1	TUBE, VINYL	
8	15901203433	1	CAP, SPARK PLUG	
9	15901103432	1	TERMINAL, SPARK PLUG CAP	
10	15901019830	1	SPARK PLUG -- BPM-8Y	
11	A425000000	1	SPARK PLUG -- BPMR-8Y ¹	
12	15680006161	1	FLYWHEEL	
13	90032303014	1	WOODRUFF KEY 3X14	
14	90050100010	1	NUT 10	
15	90060500010	1	SPRING WASHER 10	
16	90060200010	1	WASHER 10	

Footnotes

1: CANADA MODELS

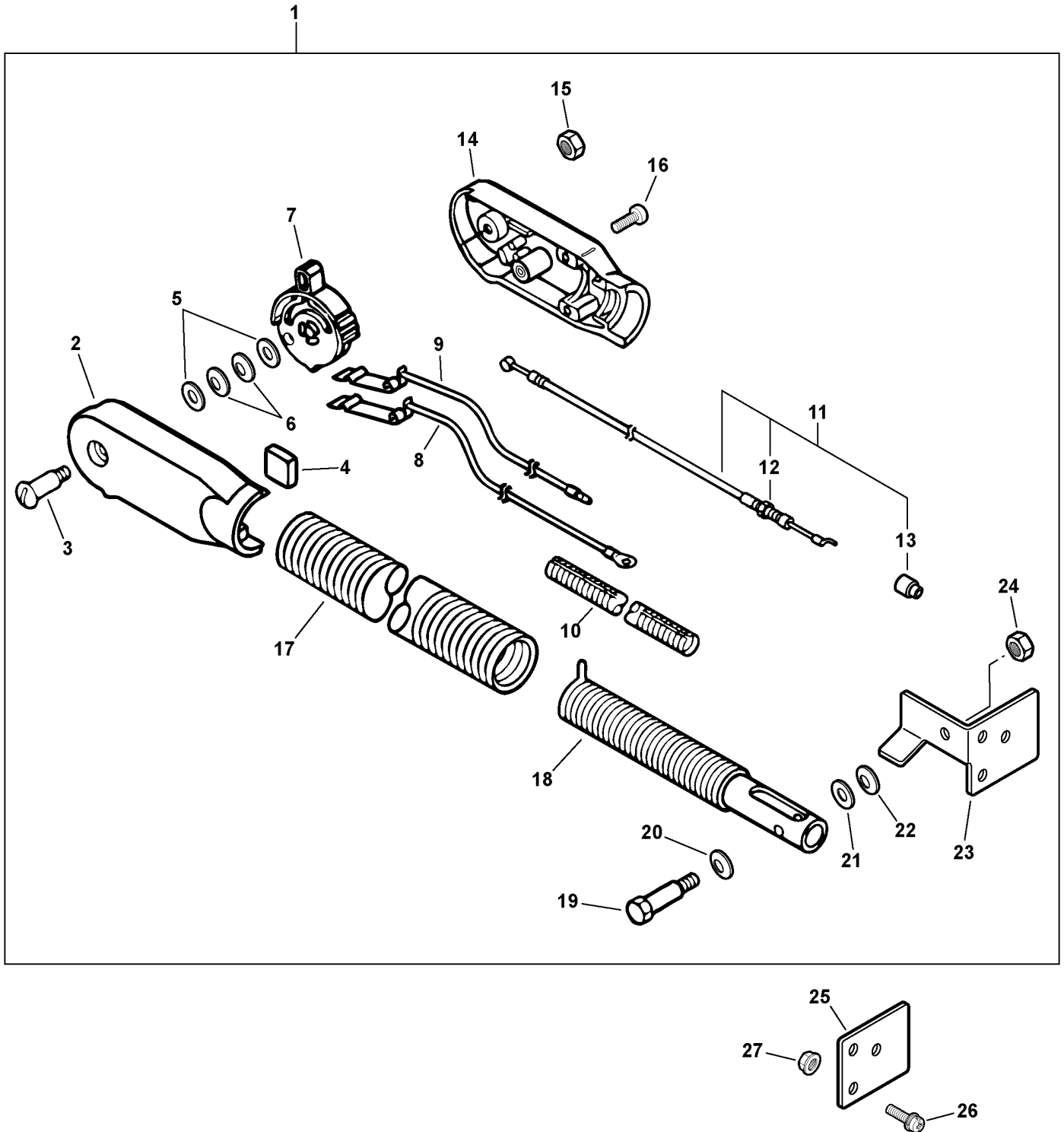


SB1077 0000 000

ITEM	PART NUMBER	QTY	DESCRIPTION	REMARKS
1	SB1077	1	SHORT BLOCK	INCLUDES ITEM 2-16
2	90016205022	4	SCREW 5X22	
3	A130000620	1	CYLINDER	
4	10101010722	1	GASKET, CYLINDER ¹	
5	P021008580	1	PISTON KIT	INCLUDES ITEMS 6-9
6	10001110530	2	RING, PISTON	
7	10001300410	1	PIN, PISTON	
8	10001500120	2	CIRCLIP, PISTON PIN	
9	10001212331	1	BEARING, NEEDLE	
10	10010006210	1	CRANKSHAFT ASY	
11	10020408261	1	CRANKCASE ASY	INCLUDES ITEMS 12-16
12	10021300310	2	OIL SEAL	
13	V622000020	2	DOWEL PIN	
14	90081036202	2	BEARING, BALL 6202	
15	10024210721	1	GASKET, CRANKCASE ¹	
16	90016205040	4	SCREW 5X40	

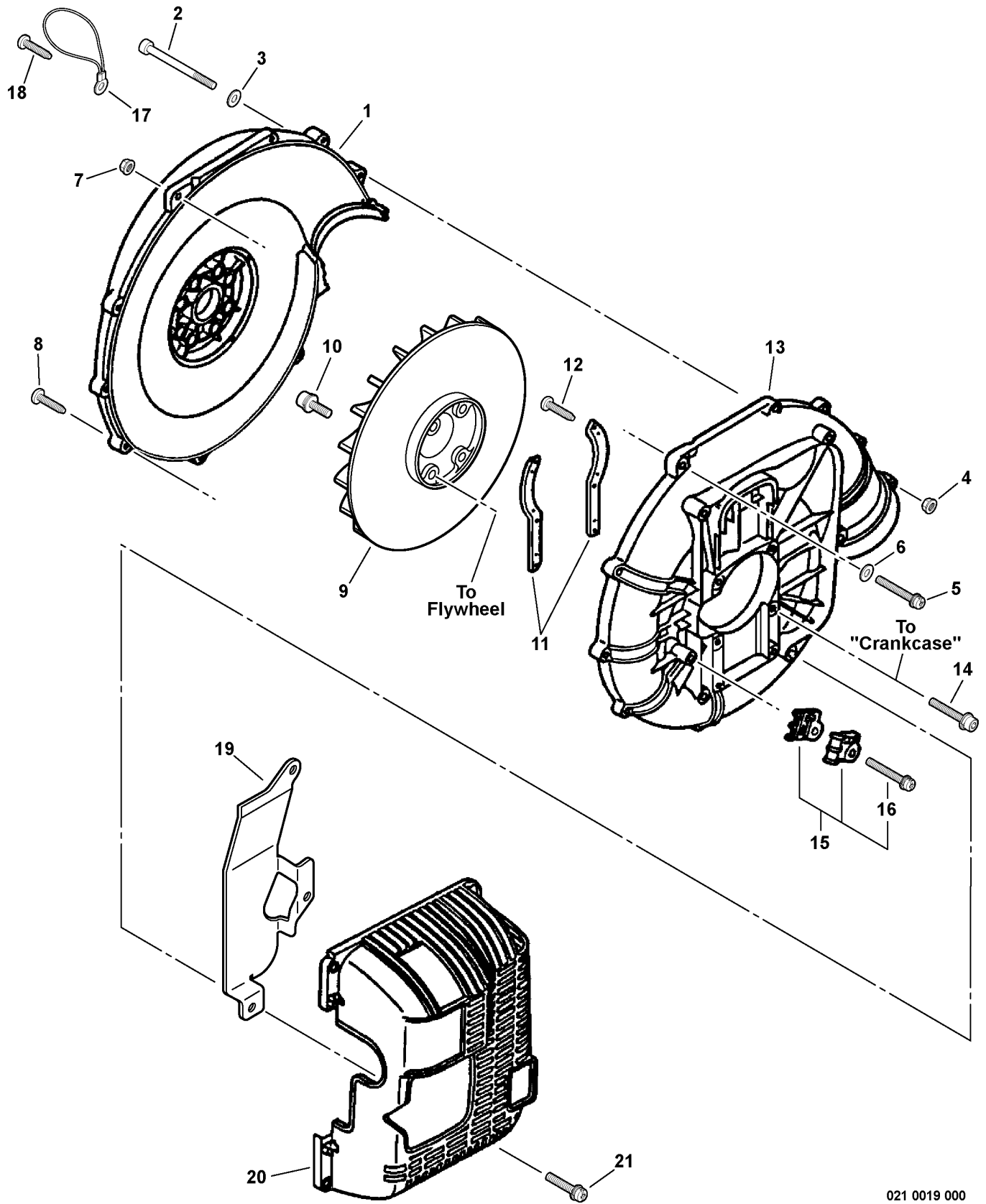
Footnotes

1: Also Included In GASKET KIT



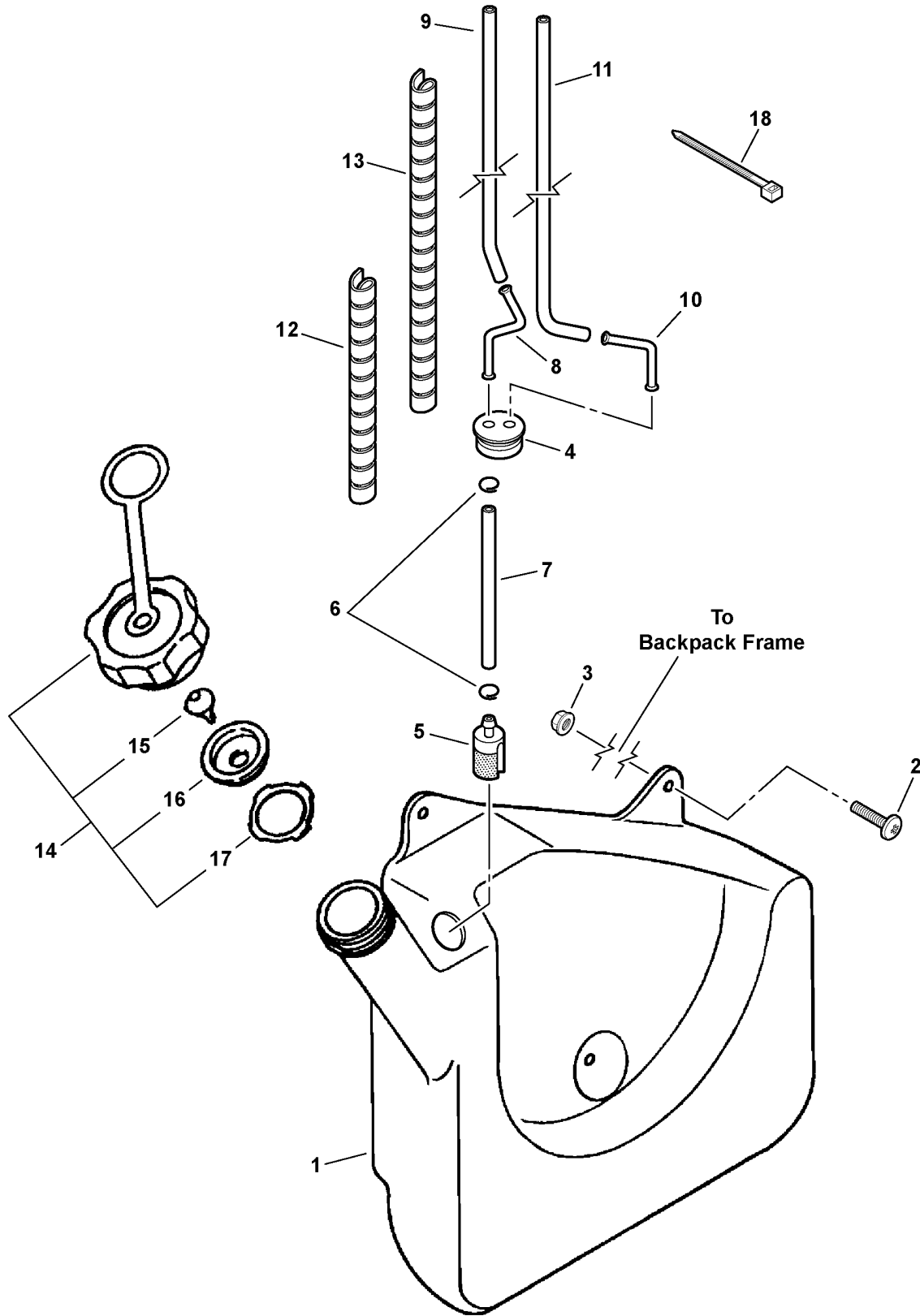
023 0004 000

ITEM	PART NUMBER	QTY	DESCRIPTION	REMARKS
1	900105	1	HIP MOUNT THROTTLE KIT	
2	C471000050	1	HOUSING, THROTTLE - LEFT	
3	60403021060	1	SHOULDER SCREW	
4	10429321060	1	PAD, FOAM	
5	69911804560	2	WASHER	
6	17816021060	2	FRICTION WASHER	
7	C453000021	1	LEVER, THROTTLE	
8	V485000072	1	LEAD, SPRING SWITCH	
9	V485000060	1	LEAD, SPRING SWITCH	
10	16202321061	1	COVER, CORRUGATED	
11	17800121060	1	CABLE, THROTTLE	INCLUDES ITEMS 11-12
12	90050000006	1	NUT	
13	17808208260	1	CAP	
14	C471000060	1	HOUSING, THROTTLE - RIGHT	
15	90056000004	1	LOCKNUT	
16	88995021060	3	SCREW, SELF TAPPING	
17	V475000910	1	TUBE, OUTER	
18	V475000920	1	SPRING TUBE ASY	
19	43261721060	1	SHOULDER BOLT	
20	17812921060	1	WASHER, SADDLE	
21	69402921060	1	WASHER 8	
22	70101721060	1	WASHER 8	
23	C625000000	1	FIXTURE, BRACKET - UPPER	
24	90003010008	1	LOCKNUT	
25	C625000010	1	FIXTURE, BRACKET - LOWER	
26	90023805016	3	SCREW 5X16	
27	90051600005	3	FLANGE NUT 5	



021 0019 000

ITEM	PART NUMBER	QTY	DESCRIPTION	REMARKS
1	20011108265	1	CASE, FAN - INNER	
2	90010505060	2	SCREW 5X60	
3	90060000005	2	WASHER	
4	90051600005	2	FLANGE NUT 5	
5	90023805040	2	SCREW 5X40	
6	61301907350	2	WASHER	
7	90051600005	2	FLANGE NUT 5	
8	90025305030	7	SCREW 5X30	
9	20001009860	1	FAN	
10	90016205020	4	SCREW 5X20	
11	10491308360	2	BRACKET, ENGINE	
12	90024603012	4	SCREW 3X12	
13	E103000103	1	CASE, FAN - OUTER	
14	90016205032	2	SCREW 5X32	
15	17810108260	1	CABLE HOLDER KIT	INCLUDES ITEM 17
16	90023805025	1	SCREW 5X25	
17	C617000230	1	STRAP, SAFETY	
18	90025305016	1	SCREW 5X16	
19	A322000000	1	INSULATOR	
20	A190000102	1	COVER, ENGINE	
21	90023805018	5	SCREW 5X18	

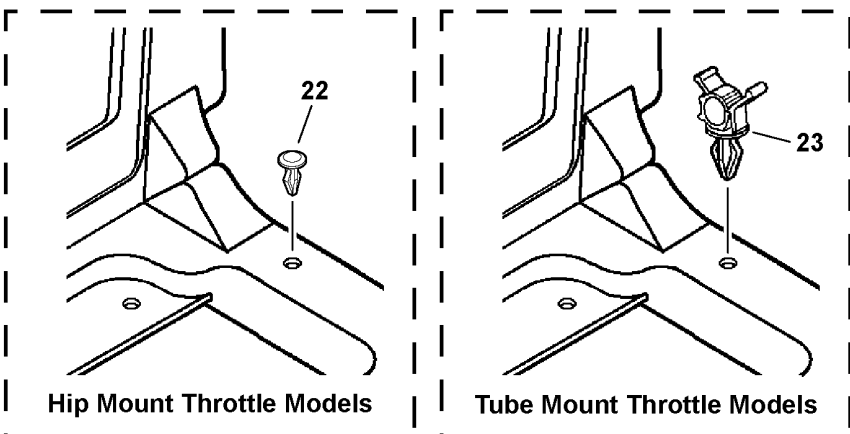
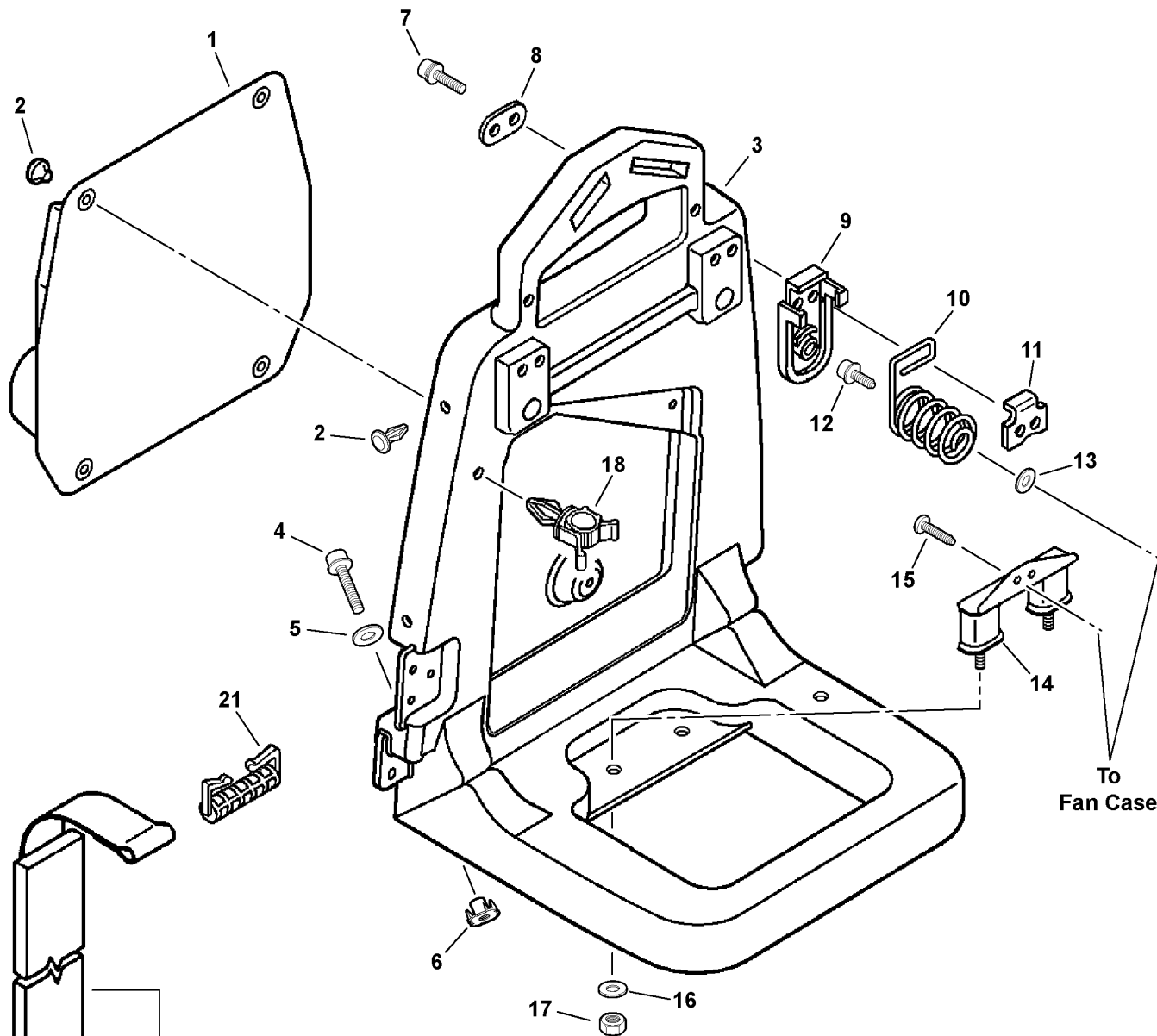


002 0025 000

ITEM	PART NUMBER	QTY	DESCRIPTION	REMARKS
1	A350000710	1	TANK, FUEL	
2	90020905020	3	SCREW 5X20	
3	90051600005	3	FLANGE NUT 5	
4	13211502960	1	GROMMET	
5	13120519830	1	FILTER, FUEL ¹	
6	13201326630	2	CLIP	
7	V471000770	1	PIPE, FUEL - 3X6X280mm	REPOWER BULK OPTION: 90015
8	13201108260	1	CONNECTOR, PIPE	
9	13201008260	1	PIPE, FUEL - 3X7X520mm	REPOWER BULK OPTION: 90016
10	13202108260	1	CONNECTOR, PIPE	
11	13201608260	1	PIPE, RETURN - 2X4X480mm	REPOWER BULK OPTION: 90018
12	17812703460	1	WRAP, SPIRAL	
13	13201508260	1	WRAP, SPIRAL	
14	13160009861	1	CAP ASY	INCLUDES ITEMS 15-17
15	13131406320	1	VENT ASY	
16	A358000000	1	HOLDER, VENT ASY	
17	13101621060	1	GASKET, CAP	
18	17812143230	2	TIE STRAP	

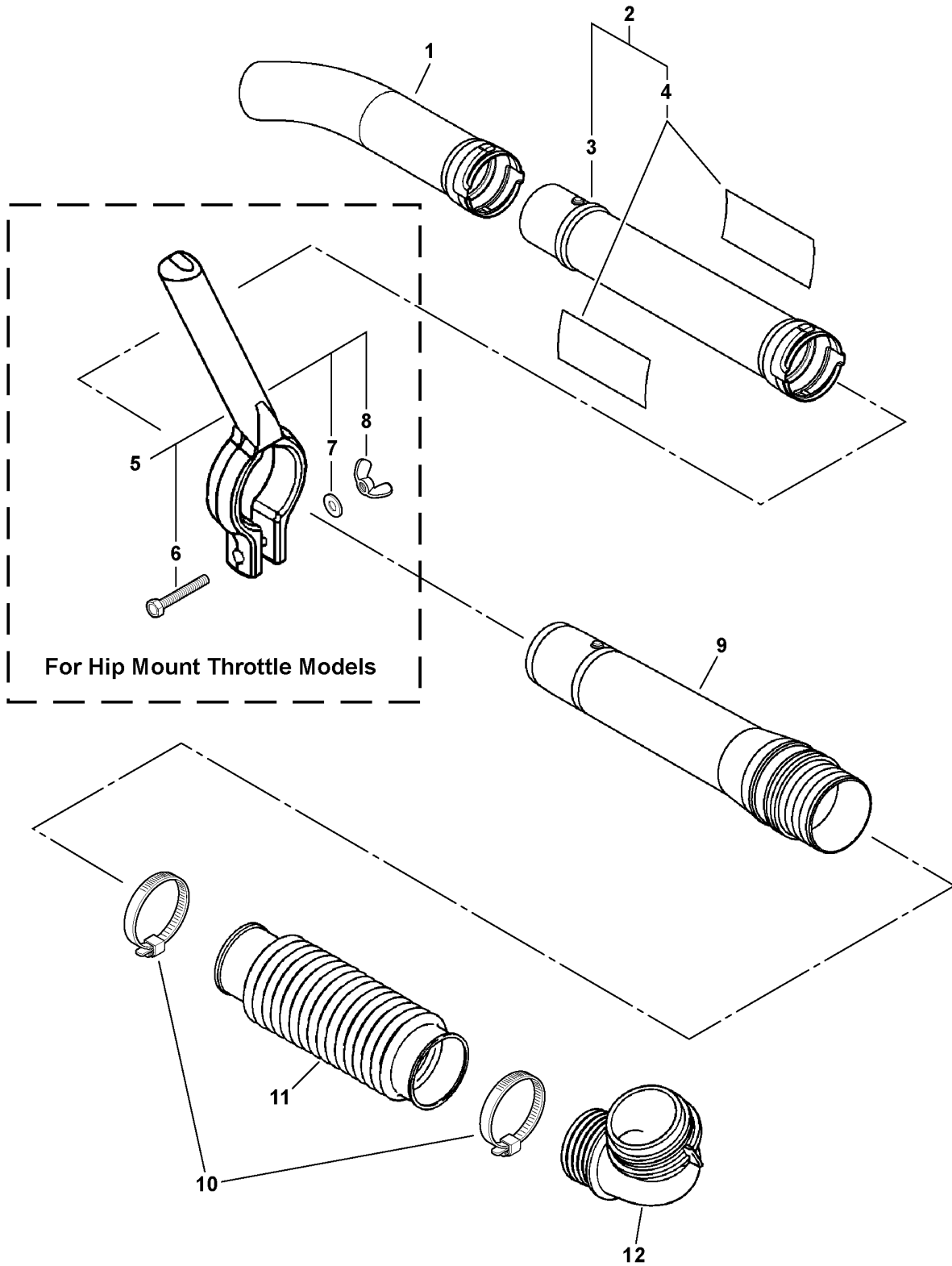
Footnotes

1: Also Included In REPOWER TUNE-UP KIT



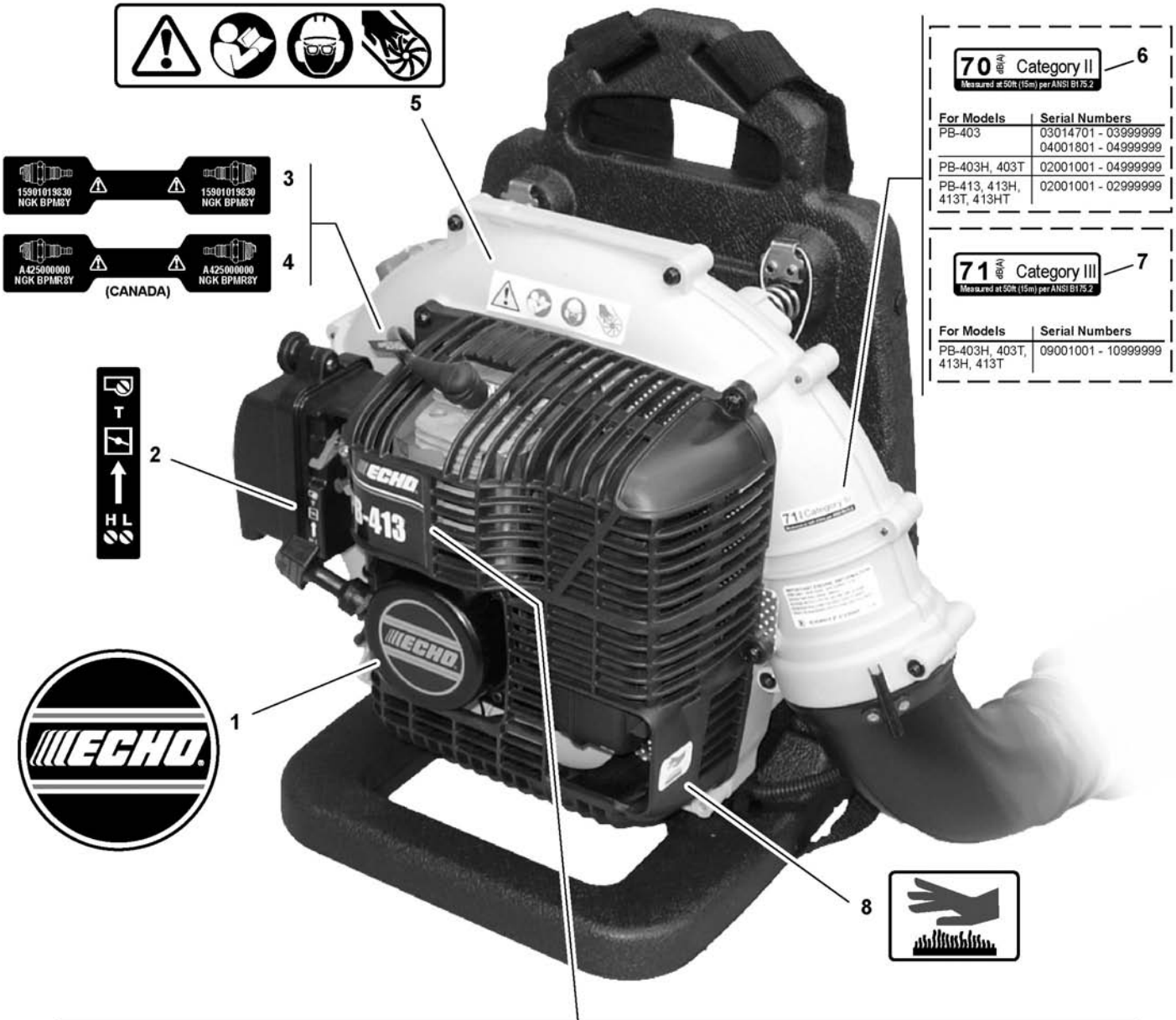
022 0003 000

ITEM	PART NUMBER	QTY	DESCRIPTION	REMARKS
1	30010508261	1	CUSHION, BACKPACK	
2	V491000120	12	CLIP	
3	C620000212	1	FRAME, BACKPACK	
4	90010506025	4	SCREW 6X25	
5	V304000040	4	WASHER	
6	C622000000	4	T-NUT	
7	90016205020	4	SCREW 5X20	
8	V150001350	2	EYE PLATE	
9	V456000010	2	HOLDER, SPRING	
10	V450000390	2	SPRING	
11	V263000050	2	PLATE, THREADED	
12	9114705020	2	SCREW 5X20	
13	61301907350	2	WASHER	
14	V401000110	1	CUSHION	
15	90025305016	2	SCREW 5X16	
16	30021700610	2	WASHER 5	
17	90051600005	2	FLANGE NUT 5	
18	V491000110	1	CLIP, CABLE	
19	C061000110	2	BACKPACK HARNESS ASY	INCLUDES ITEM 20
20	30101608260	2	RING, HARNESS	
21	V491000040	2	CLIP, HARNESS	
22	V491000120	1	CLIP	
23	V491000110	1	CLIP, CABLE	



020 0006 000

ITEM	PART NUMBER	QTY	DESCRIPTION	REMARKS
1	21002303461	1	TUBE, CURVED	
2	21000103462	1	STRAIGHT BLOWER TUBE KIT	INCLUDES ITEMS 3-4
3	21001503460	1	TUBE, BLOWER - STRAIGHT	
4	89011804262	2	LABEL, ECHO	
5	001107	1	HANDLE ASY	INCLUDES ITEMS 6-8
6	90010006045	1	BOLT 6X45	
7	90060000006	1	WASHER 6	
8	90052500006	1	WING NUT	
9	21200507560	1	TUBE, BLOWER - SWIVEL	
10	V495000430	2	CLAMP	
11	E164000000	1	TUBE, BLOWER - FLEXIBLE	
12	E160000061	1	TUBE, BLOWER - ELBOW	



70 dBA Category II <small>Measured at 50m (15m) per ANSI S1.75.2</small>	
For Models	Serial Numbers
PB-403	03014701 - 03999999 04001801 - 04999999
PB-403H, 403T	02001001 - 04999999
PB-413, 413H, 413T, 413HT	02001001 - 02999999

71 dBA Category III <small>Measured at 50m (15m) per ANSI S1.75.2</small>	
For Models	Serial Numbers
PB-403H, 403T, 413H, 413T	09001001 - 10999999



100 0011 000

ITEM	PART NUMBER	QTY	DESCRIPTION	REMARKS
1	89011849330	1	LABEL - ECHO	
2	89015808261	1	LABEL, CHOKE	
3	X532000671	1	LABEL - SPARK PLUG -- BPM-8Y	
4	X532000720	1	LABEL - SPARK PLUG -- BPMR-8Y	CANADA MODELS
5	89016009461	1	LABEL, CAUTION - ISO	
6	X508000130	1	LABEL, NOISE	
7	X508000140	1	LABEL, NOISE	
8	89016006361	1	LABEL - CAUTION -- HOT	
9	X503002180	1	LABEL - MODEL -- PB-403	
10	X503004830	1	LABEL - MODEL -- PB-403H	
11	X503004840	1	LABEL - MODEL -- PB-403T	
12	X503004290	1	LABEL - MODEL -- PB-413HT	
13	X503002090	1	LABEL - MODEL -- PB-413	
14	X503004850	1	LABEL - MODEL -- PB-413H	
15	X503004860	1	LABEL - MODEL -- PB-413T	

Use Gasket Kit	Contains:	Service Number	Description
P021009660		10024210721	GASKET, CRANKCASE
		10101010722	GASKET, CYLINDER
		13001603731	GASKET, INTAKE
		13001606211	SHIELD, INTAKE
		13001606434	GASKET, INTAKE
		14551006211	GASKET, EXHAUST
		14586621360	GASKET, EXHAUST
		V103000000	GASKET, INTAKE
		V104000220	GASKET, EXHAUST

<u>ITEM</u>	<u>PART NUMBER</u>	<u>QTY</u>	<u>DESCRIPTION</u>	<u>REMARKS</u>
1	P021009660	1	GASKET KIT	

RePower Tune-Up Kit	Contains: Service Number	Description
90070	A226000032	AIR FILTER
	13120519830	FUEL FILTER
	15901019830	SPARK PLUG BPM-8Y

<u>ITEM</u>	<u>PART NUMBER</u>	<u>QTY</u>	<u>DESCRIPTION</u>	<u>REMARKS</u>
1	90070	1	TUNE-UP KIT	



Part Number Index

Click The Page Number After Any Part Number To View The Diagram Containing That Part.

Part Number	Page	Part Number	Page	Part Number	Page
-----	7, 9	17812703460	21	A425000000	13
001107	25	17812921060	17	C061000110	23
10001110530	15	17816021060	17	C453000021	17
10001212331	15	20001009860	19	C471000050	17
10001300410	15	20011108265	19	C471000060	17
10001500120	15	21000103462	25	C617000230	19
10010006210	15	21001503460	25	C620000212	23
10020408261	15	21002303461	25	C622000000	23
10021300310	15	21200507560	25	C625000000	17
10024210721	15	30010508261	23	C625000010	17
10101010722	15	30021700610	23	E103000103	19
10151408260	7	30101608260	23	E160000061	25
10429321060	17	43261721060	17	E164000000	25
10491308360	19	60403021060	17	P005000460	9
12530008360	9	61301907350	19, 23	P005000610	9
12530308360	9	69402921060	17	P005000620	9
12531013930	9	69911804560	17	P005000980	9
12531308360	9	70101721060	17	P005001640	9
12531413930	9	88995021060	17	P005001650	9
12531613930	9	89011804262	25	P021002522	7
12532408360	9	89011849330	27	P021008580	15
12532713930	9	89015808261	27	P021009660	29
12532908560	9	89016006361	27	P021014430	7
12532909860	9	89016009461	27	SB1077	15
12533308560	9	90003010008	17	V103000000	7
12533913930	9	90010006045	25	V104000220	11
12534408560	9	900105	17	V150001350	23
12534813930	9	90010505060	7, 19	V263000050	23
12535008360	9	90010506020	11	V299000290	7
12536312820	9	90010506025	23	V304000040	23
12538108660	9	90010605020	11	V340000210	7
13000708261	7	90016205020	19, 23	V401000110	23
13001603731	7	90016205022	15	V450000390	23
13001606211	7	90016205025	7	V456000010	23
13001606434	7	90016205032	19	V471000770	21
13101621060	21	90016205040	15	V475000910	17
13120519830	21	90016304018	5	V475000920	17
13131406320	21	90020905020	21	V485000060	17
13160009861	21	90023804010	11	V485000072	17
13201008260	21	90023805010	7, 11	V485000190	13
13201108260	21	90023805016	17	V491000040	23
13201326630	21	90023805018	13, 19	V491000110	23
13201508260	21	90023805025	19	V491000120	23
13201608260	21	90023805040	19	V495000430	25
13202108260	21	90024603012	19	V622000020	15
13211502960	21	90025305016	19, 23	X503002090	27
14551006211	11	90025305030	19	X503002180	27
14586206720	11	90032303014	13	X503004290	27
15111204630	13	90050000006	17	X503004830	27
15611106160	13	90050100010	13	X503004840	27
15660109861	13	90051600005	17, 19, 21, 23	X503004850	27
15680006161	13	90052500006	25	X503004860	27
15901019830	13	90056000004	17	X508000130	27
15901103432	13	90060000005	19	X508000140	27
15901203433	13	90060000006	25	X532000671	27
15912908260	13	90060200010	13	X532000720	27
16202321061	17	90060500010	13		
17720021260	5	90070	31		
17720206210	5	90070000004	5		
17721440630	5	90081036202	15		
17721511120	5	9114705020	23		
17721840630	5	A021000890	9		
17722011120	5	A130000620	15		
17722611120	5	A160000290	11		
17722742030	5	A190000102	19		
17722801110	5	A226000032	7		
17723206210	5	A232000081	7		
17723440630	5	A244000020	7		
17723640630	5	A300000204	11		
17800121060	17	A313000260	11		
17808208260	17	A322000000	19		
17810108260	19	A350000710	21		
17812143230	21	A358000000	21		



Part Description Index

Click The Page Number After Any Part Description To View The Diagram Containing That Part.

A

AIR CLEANER CASE ASY.....7
AIR CLEANER KIT.....7

B

BACKPACK HARNESS ASY.....23
BASE, PURGE.....9
BEARING, BALL 6202.....15
BEARING, NEEDLE.....15
BODY, CARBURETOR.....9
BOLT 6X45.....25
BRACKET, ENGINE.....19
BULB, PURGE.....9

C

C.D. IGNITION MODULE.....13
CABLE HOLDER KIT.....19
CABLE, THROTTLE.....17
CAP.....17
CAP ASY.....21
CAP, LIMITER - HIGH SPEED.....9
CAP, LIMITER - LOW SPEED.....9
CAP, SPARK PLUG.....13
CARBURETOR.....7
CARBURETOR -- C1M-K77.....9
CASE, FAN - INNER.....19
CASE, FAN - OUTER.....19
CASE, STARTER.....5
CIRCLIP, PISTON PIN.....15
CLAMP.....25
CLIP.....21, 23
CLIP, CABLE.....23
CLIP, HARNESS.....23
CLIP, THROTTLE SHAFT.....9
CONNECTOR, PIPE.....21
COVER, CORRUGATED.....17
COVER, CYLINDER.....7, 11
COVER, DUST.....13
COVER, ENGINE.....19
COVER, FUEL PUMP.....9
CRANKCASE ASY.....15
CRANKSHAFT ASY.....15
CUSHION.....23
CUSHION, BACKPACK.....23
CYLINDER.....15

D

DIAPHRAGM, FUEL PUMP.....9
DIAPHRAGM, METERING.....9
DIAPHRAGM/GASKET KIT.....9
DOWEL PIN.....15
DRUM, STARTER.....5

E

E-RING.....5
EYE PLATE.....23

F

FAN.....19
FILTER, AIR.....7
FILTER, FUEL.....21
FIXTURE, BRACKET - LOWER.....17

FIXTURE, BRACKET - UPPER.....17
FLANGE NUT 5.....17, 19, 21, 23
FLYWHEEL.....13
FRAME, BACKPACK.....23
FRICTION WASHER.....17

G

GASKET KIT.....29
GASKET, CAP.....21
GASKET, CRANKCASE.....15
GASKET, CYLINDER.....15
GASKET, EXHAUST.....11
GASKET, FUEL PUMP.....9
GASKET, INTAKE.....7
GASKET, METERING DIAPHRAGM.....9
GRIP, STARTER.....5
GROMMET.....13, 21
GUIDE, EXHAUST.....11
GUIDE, ROPE.....5

H

HANDLE ASY.....25
HIP MOUNT THROTTLE KIT.....17
HOLDER, SPRING.....23
HOLDER, VENT ASY.....21
HOUSING, THROTTLE - LEFT.....17
HOUSING, THROTTLE - RIGHT.....17

I

INSULATOR.....19
INSULATOR, INTAKE.....7

L

LABEL - CAUTION -- HOT.....27
LABEL - ECHO.....27
LABEL - MODEL -- PB-403.....27
LABEL - MODEL -- PB-403H.....27
LABEL - MODEL -- PB-403T.....27
LABEL - MODEL -- PB-413.....27
LABEL - MODEL -- PB-413H.....27
LABEL - MODEL -- PB-413HT.....27
LABEL - MODEL -- PB-413T.....27
LABEL - SPARK PLUG -- BPM-8Y.....27
LABEL - SPARK PLUG -- BPMR-8Y.....27
LABEL, CAUTION - ISO.....27
LABEL, CHOKE.....27
LABEL, ECHO.....25
LABEL, NOISE.....27
LEAD, GROUND.....13
LEAD, SPRING SWITCH.....17
LEVER, METERING.....9
LEVER, THROTTLE.....9, 17
LID, AIR CLEANER.....7
LOCK WASHER.....7
LOCKNUT.....17

M

MUFFLER.....11

N

NEEDLE - HIGH SPEED.....9
NEEDLE - LOW SPEED.....9
NUT.....17

NUT 10.....13

O

OIL SEAL.....15

P

PAD, FOAM.....17
PAWL, STARTER.....5
PIN, METERING LEVER.....9
PIN, PISTON.....15
PIPE, FUEL - 3X6X280mm.....21
PIPE, FUEL - 3X7X520mm.....21
PIPE, RETURN - 2X4X480mm.....21
PISTON KIT.....15
PLATE, PREVENT.....7
PLATE, THREADED.....23

R

REPAIR KIT.....9
RETAINER.....9
RETAINER, PURGE BULB.....9
RING, HARNESS.....23
RING, PISTON.....15
ROPE, STARTER - 4X1350mm.....5

S

SCREEN, MUFFLER.....11
SCREW.....5
SCREW 3X12.....19
SCREW 4X10.....11
SCREW 4X18.....5
SCREW 5X10.....7, 11
SCREW 5X16.....17, 19, 23
SCREW 5X18.....13, 19
SCREW 5X20.....11, 19, 21, 23
SCREW 5X22.....15
SCREW 5X25.....7, 19
SCREW 5X30.....19
SCREW 5X32.....19
SCREW 5X40.....15, 19
SCREW 5X60.....7, 19
SCREW 6X20.....11
SCREW 6X25.....23
SCREW, FUEL PUMP COVER.....9
SCREW, IDLE ADJUST.....9
SCREW, METERING LEVER PIN.....9
SCREW, PURGE BASE.....9
SCREW, SELF TAPPING.....17
SCREW, THROTTLE LEVER.....9
SCREW, THROTTLE VALVE.....9
SHAFT, THROTTLE.....9
SHIELD, CYLINDER.....7
SHORT BLOCK.....15
SHOULDER BOLT.....17
SHOULDER SCREW.....17
SPARK PLUG -- BPM-8Y.....13
SPARK PLUG -- BPMR-8Y.....13
SPRING.....23
SPRING TUBE ASY.....17
SPRING WASHER 10.....13
SPRING, IDLE ADJUST.....9
SPRING, METERING LEVER.....9
SPRING, RETURN.....5
SPRING, REWIND.....5



Part Description Index (continued)

SPRING, THROTTLE RETURN.....9
STARTER ASY.....5
STARTER PAWL ASY.....5
STRAIGHT BLOWER TUBE KIT.....25
STRAINER.....9
STRAP, SAFETY.....19

T

TANK, FUEL.....21
TERMINAL, SPARK PLUG CAP.....13
THUMB SCREW.....7
TIE STRAP.....21
T-NUT.....23
TUBE, BLOWER - ELBOW.....25
TUBE, BLOWER - FLEXIBLE.....25
TUBE, BLOWER - STRAIGHT.....25
TUBE, BLOWER - SWIVEL.....25
TUBE, CURVED.....25
TUBE, OUTER.....17
TUBE, VINYL.....13
TUNE-UP KIT.....31

V

VALVE INLET, NEEDLE.....9
VALVE, THROTTLE.....9
VENT ASY.....21

W

WASHER.....5, 17, 19, 23
WASHER 10.....13
WASHER 5.....23
WASHER 6.....25
WASHER 8.....17
WASHER, SADDLE.....17
WELCH PLUG.....9
WING NUT.....25
WOODRUFF KEY 3X14.....13
WRAP, SPIRAL.....21

NOTES



ECHO, INCORPORATED

400 Oakwood Road
Lake Zurich, IL 60047 USA

WWW.ECHO-USA.COM
