

## DGK7F Generator

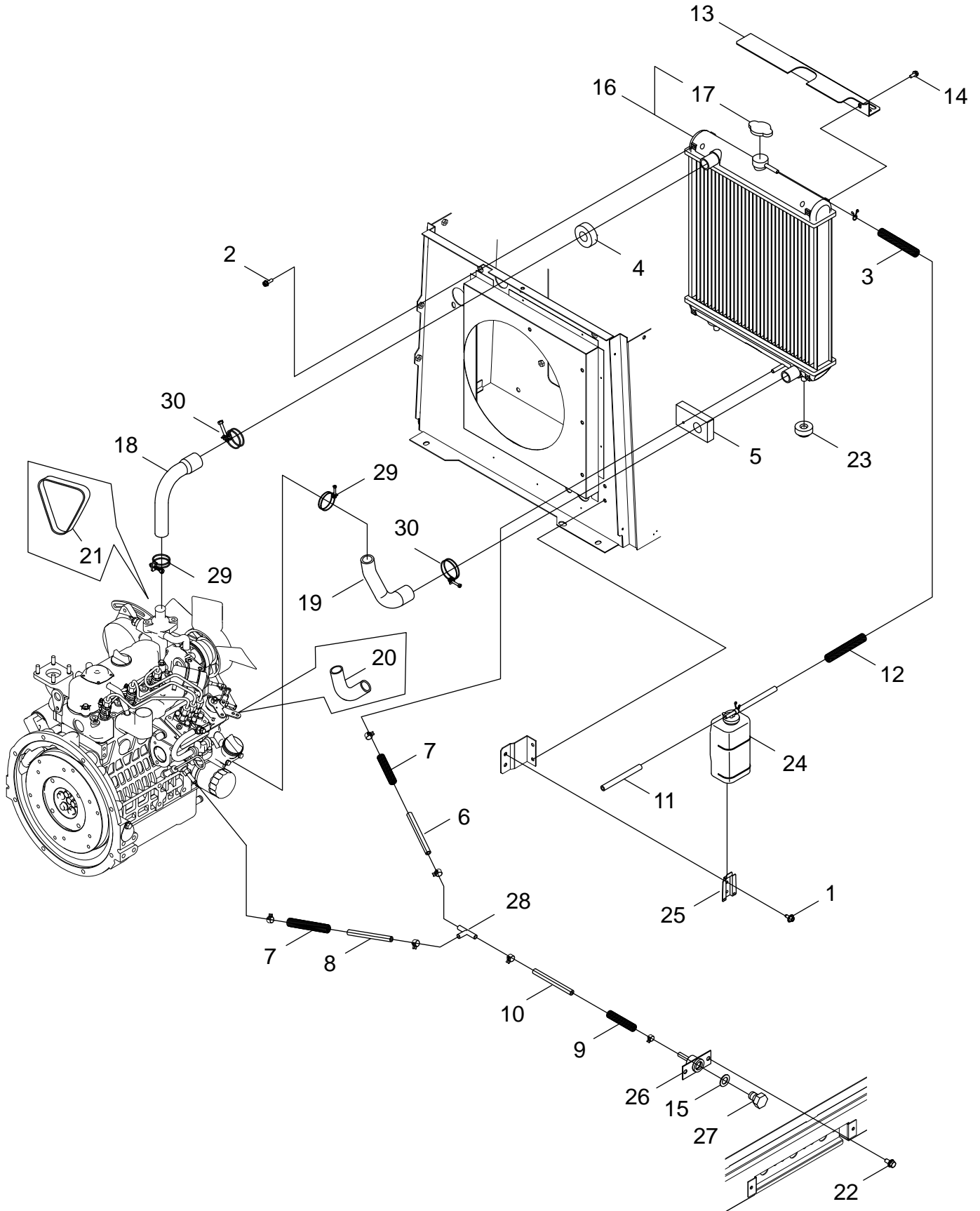


### SERIAL NUMBERS

D17601000001 - D17601000020

RADIATOR ASSEMBLY.....	2	ECHO LABELS.....	32
AIR AND MUFFLER ASSEMBLY .....	4	REAR ENCLOSURE FRAME INSULATION .....	34
FUEL TANK, OIL CONTAINMENT.....	6	RIGHT ENCLOSURE PANEL INSULATION .....	36
FUEL LINES.....	8	LEFT ENCLOSURE PANEL AND AIR DUCTS INSULATION .....	38
ENCLOSURE FRAME.....	10	LEFT ENCLOSURE PANEL AND AIR DUCTS INSULATION .....	40
FRONT ENCLOSURE .....	12		
BASE, FRAME .....	14		
RIGHT ENCLOSURE.....	16		
TOP ENCLOSURE.....	18		
ENGINE PARTS .....	20		
ALTERNATOR .....	22		
MAIN CONTROL PANEL.....	24		
MAIN BREAKER AND CONTROL BOX .....	26		
POWER OUTPUT TERMINALS.....	28		
SHINDAIWA LABELS.....	30		

RADIATOR ASSEMBLY

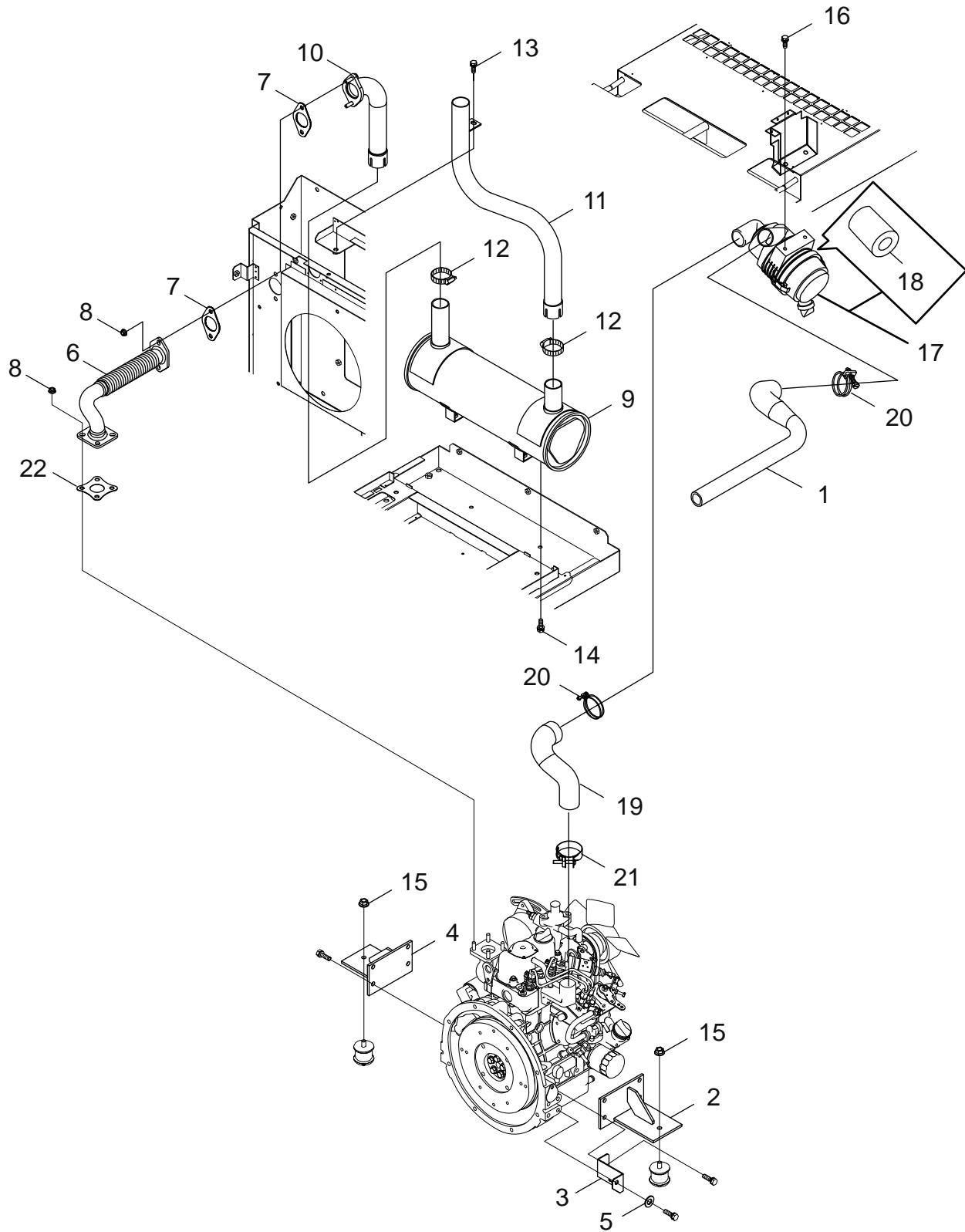


+ Denotes item is part of an assembly  
 ++ Denotes item is part of a sub-assembly

## RADIATOR ASSEMBLY

NO.	PART NUMBER	QTY.	DESCRIPTION	
1	G203000570	1	HOSE,RADIATOR	
2	V475007860	1	TUBE	
3	9103606020	2	BOLT SW,M6X20	
4	V204002040	2	BOLT,M6X16	
5	V542000040	1	SEAL,T20X50X25	
6	V542000090	1	SEAL	
7	V205001420	2	BOLT,M8X20-SPW	
8	V476001170	1	TUBE	
9	966170440	1	FUEL TUBE	ENGINE(COOLANT) - T-JOINT
10	V476000270	1	TUBE,13XL200	
11	966170260	1	TUBE,7.3X12.5X260	RADIATOR - T-JOINT
12	V476001320	1	TUBE	
13	966170180	1	TUBE,7.3X12.5X180	T-JOINT - COOLANT DRAIN
14	966170460	1	TUBE,7.3X12.5X460	SUB TANK
15	1491142750	6	CLIP,PIPE	
16	3N60042170	1	JOINT,TEE TYPE	
17	1522133750	1	DRAIN PLUG,M12X1.25	
18	6C09058960	1	GASKET	
19	1K12533743	1	DRAIN PIPE SOCKET	
20	<b>1J32172060</b>	<b>1</b>	<b>ASSY,RADIATOR W/CAP</b>	
21	1721472020	1	+ RADIATOR CAP	
22	6C04058580	2	CUSHION	
23	1G31972940	1	HOSE,UPPER WATER	
24	V495000790	2	HOSE CLAMP,09318-8903-0	
25	931889039	2	HOSE CLAMP	
26	G125000070	1	OVERFLOW TANK	
27	1198272460	1	OVERFLOW TANK MOUNTING BRACKET	
28	1747297010	1	V BELT	

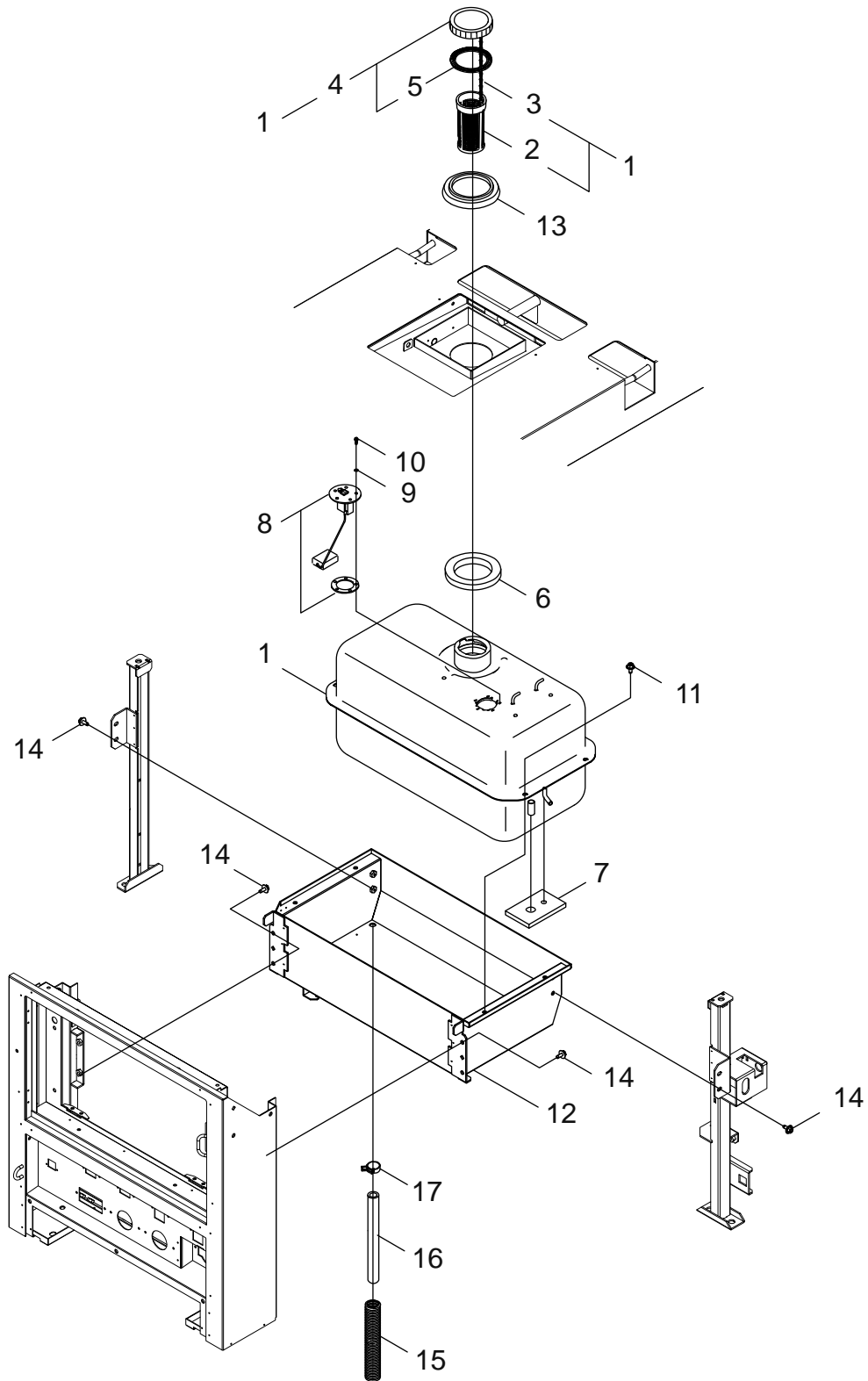
AIR AND MUFFLER ASSEMBLY



## AIR AND MUFFLER ASSEMBLY

NO.	PART NUMBER	QTY.	DESCRIPTION
1	G213000630	1	HOSE,AIR
2	G121000680	1	ENGINE MOUNT
3	C527001430	1	STAY
4	G121000690	1	ENGINE MOUNT
5	90061700010	1	WASHER,M10
6	G231001130	1	PIPE,EXHAUST
7	V104001740	2	EXHAUST GASKET
8	V265000290	6	FLANGE NUT,M8 SERRATED
9	A300001430	1	MUFFLER
10	G231001140	1	PIPE,EXHAUST
11	G231000850	1	PIPE,EXHAUST (MUFFLER OUT)
12	V495002100	2	CLAMP,WORM DRIVE
13	V205001420	1	BOLT,M8X20-SPW
14	V205001170	4	BOLT,M8X20-SPW
15	V266000130	2	FLANGE NUT,M10 SERRATED
16	V205001170	2	BOLT,M8X20-SPW
17	<b>1G31811012</b>	<b>1</b>	<b>ASSY CLEANER,AIR</b>
18	1G65911220	1	+ ELEMENT,AIR CLEANER
19	1J32111620	1	HOSE,1 INLET AIR CLEANER
20	1522111720	2	BAND,PIPE
21	1526111720	1	CLAMP,PIPE BAND
22	1526312371	1	EXHAUST GASKET

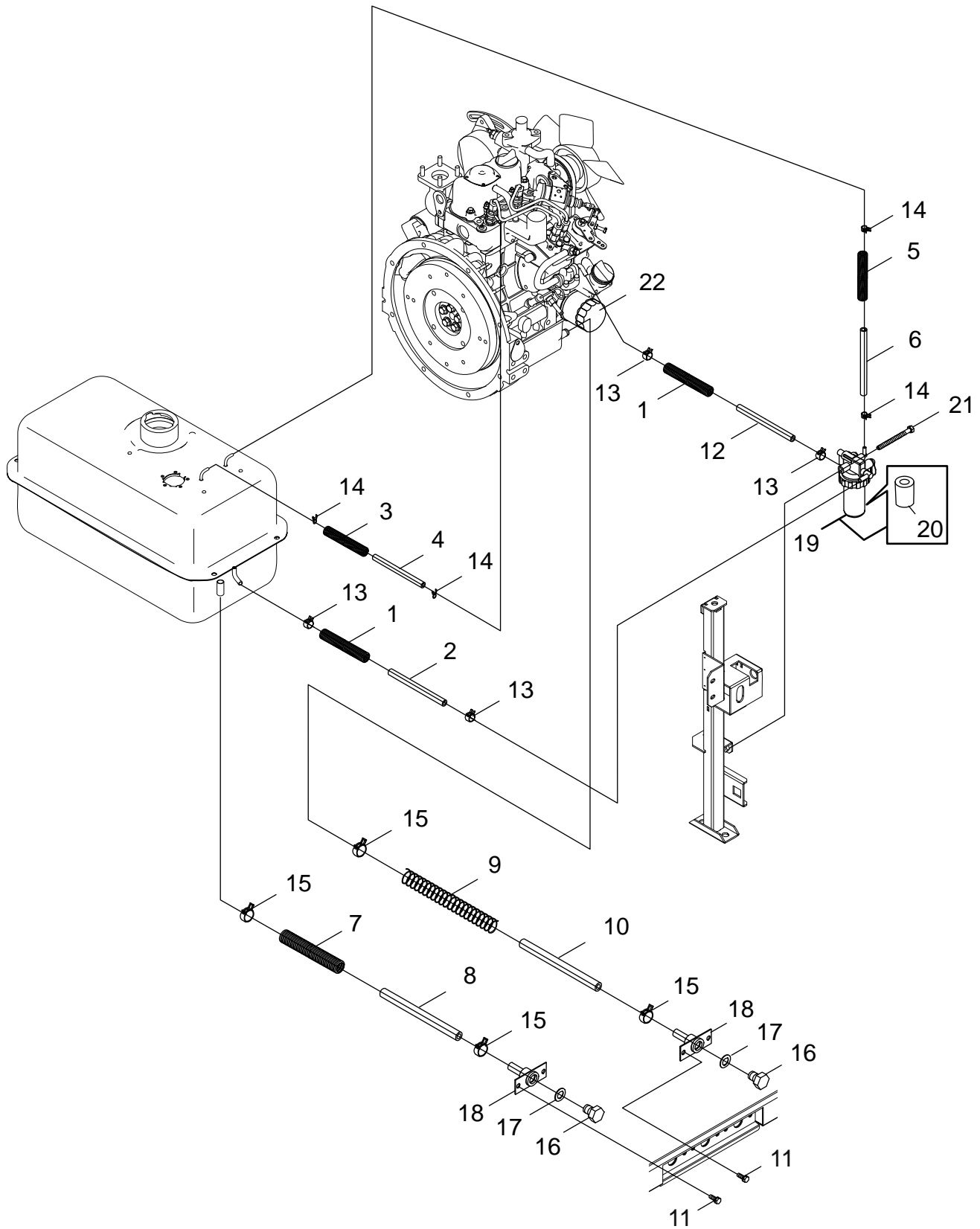
FUEL TANK, OIL CONTAINMENT



## FUEL TANK, OIL CONTAINMENT

NO.	PART NUMBER	QTY.	DESCRIPTION	
1	G250001120	1	TANK,FUEL	
2	A369000180	1	+ STRAINER,FUEL INLET	
3	V489000120	1	+ CHAIN,FUEL INLET	
4	G255000110	1	+ TANK CAP,FUEL INLET	
5	V107000140	1	++ GASKET,FUEL INLET	
6	V540000360	1	SEAL,T10XØ75XØ110	
7	V542000100	1	SEAL	
8	E325000100	1	FUEL GAUGE	
9	V500000020	5	WASHER,SEAL	
10	9146305012	5	SCREW,M5X12 TRUSS	
11	V204002040	4	BOLT,M6X16	
12	G126000620	1	BRACKET,TANK	
13	V145000510	1	BUSHING,FUEL INLET TANK	
14	V204002040	8	BOLT,M6X16	
15	V475007230	1	TUBE,22XL300	
16	1259733770	1	TUBE,13X20X400	FUEL TANK BRACKET - SPILL CONTAINMENT
17	931888185	1	HOSE CLAMP	

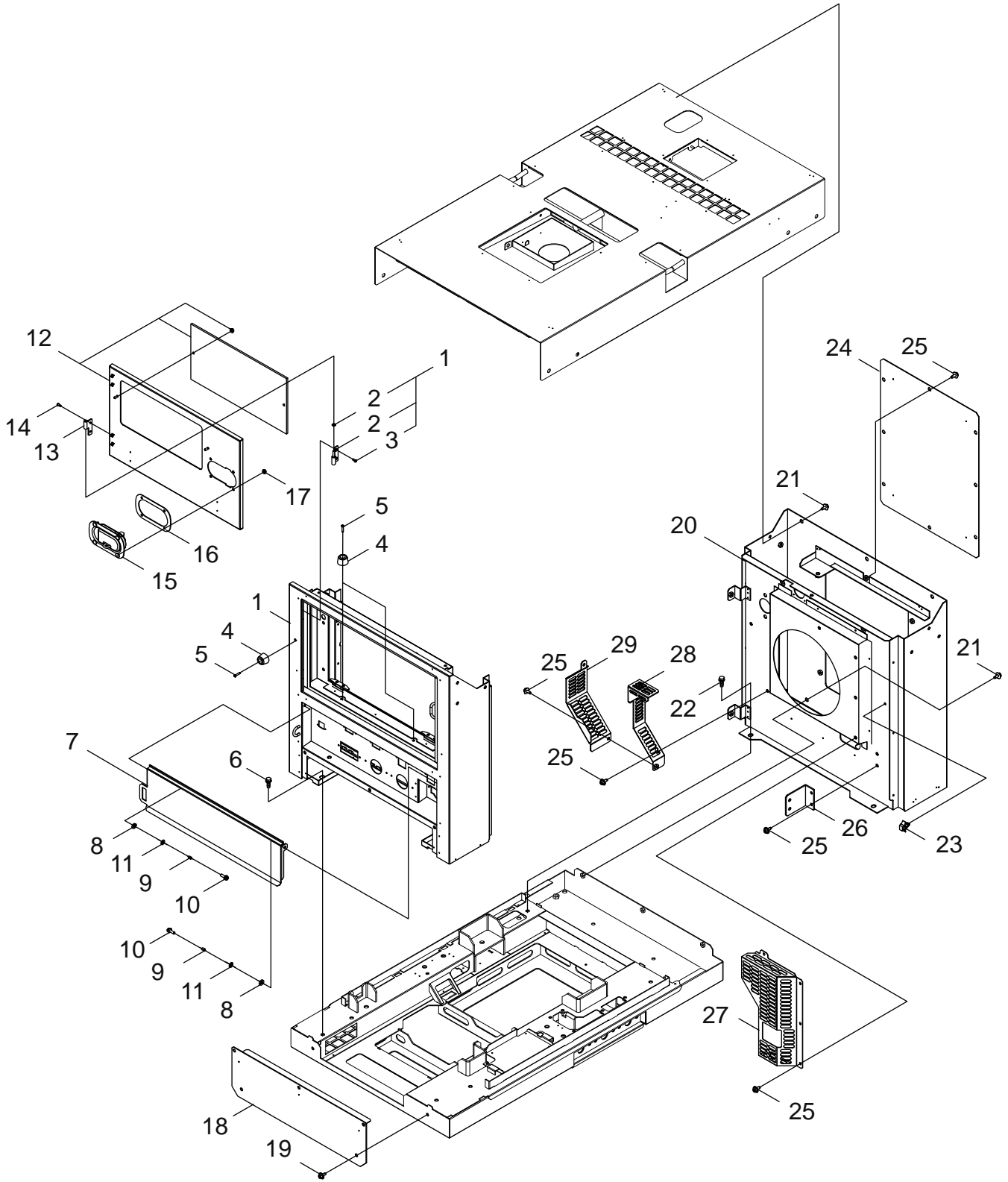
FUEL LINES



## FUEL LINES

NO.	PART NUMBER	QTY.	DESCRIPTION	
1	V476001190	2	TUBE	
2	966170280	1	FUEL TUBE,7.3X12.5X280	FUEL TANK - FUEL FILTER
3	V476001140	1	TUBE	
4	966140480	1	FUEL TUBE	ENGINE - FUEL TANK
5	V476001180	1	TUBE	
6	966140525	1	FUEL TUBE	FUEL FILTER - FUEL TANK
7	V476000280	1	TUBE,22XL550	
8	1722433210	1	PIPE,13X20X600	FUEL TANK - FUEL DRAIN
9	1714733390	1	SPRING,OIL PIPE P/T	
10	1714733210	1	OIL DRAIN HOSE,13X20X500	ENGINE - OIL DRAIN
11	V205001420	4	BOLT,M8X20-SPW	
12	966170280	1	FUEL TUBE,7.3X12.5X280	FUEL FILTER - ENGINE
13	1491142750	4	CLIP,PIPE	
14	1497142750	4	PIPE CLIP	
15	931888185	4	HOSE CLAMP	
16	1522133750	2	DRAIN PLUG,M12X1.25	
17	6C09058960	2	GASKET	
18	1595733745	2	DRAIN PIPE SOCKET	
19	<b>1G31843012</b>	<b>1</b>	<b>ASSY FILTER,FUEL</b>	
20	1627143562	1	+ ASSY ELEMENT,FUEL FILTER	
21	175450865	1	BOLT,FLANGE	
22	1J09432430	1	ENGINE OIL FILTER	

ENCLOSURE FRAME

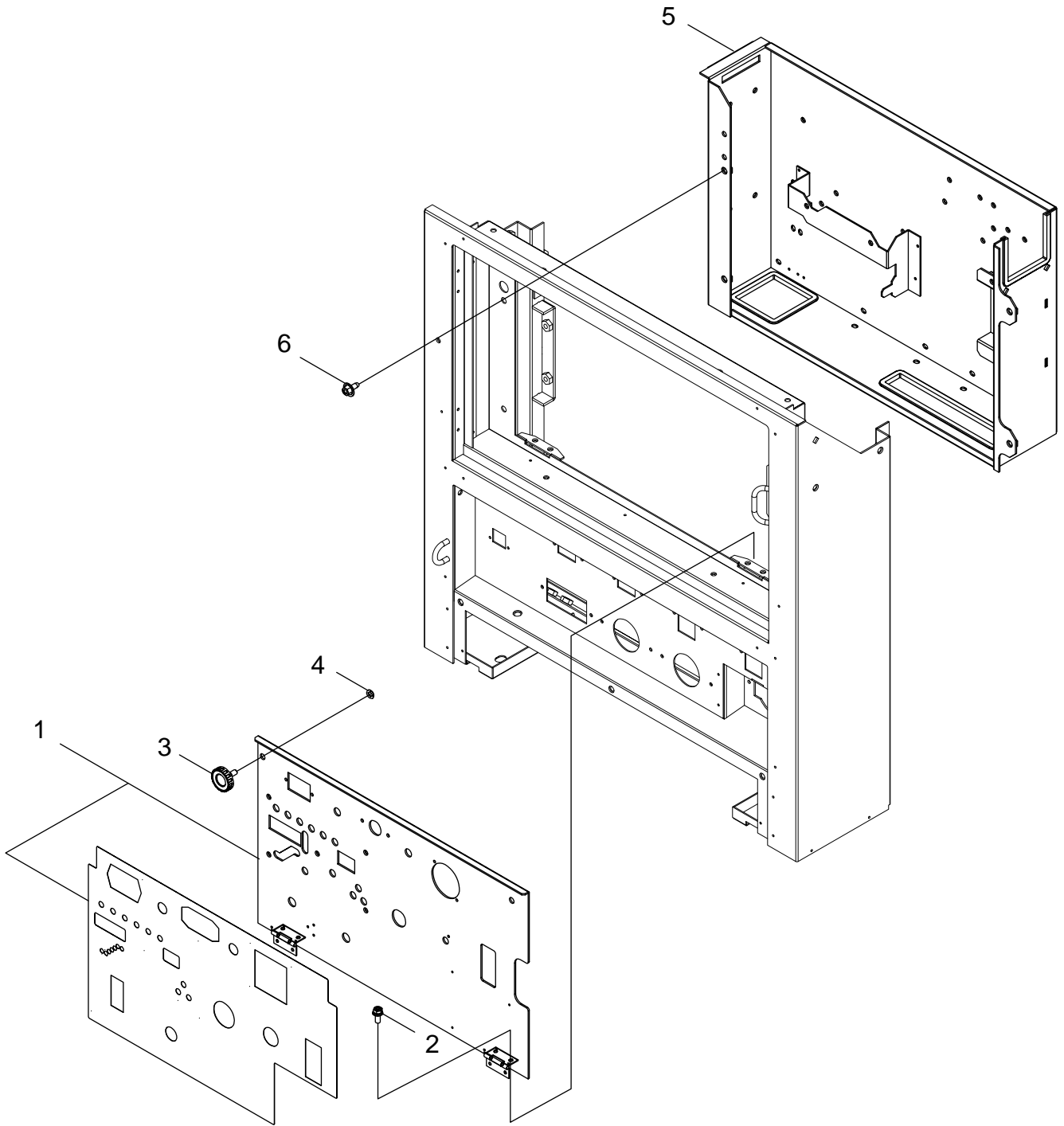


+ Denotes item is part of an assembly  
 ++ Denotes item is part of a sub-assembly

## ENCLOSURE FRAME

NO.	PART NUMBER	QTY.	DESCRIPTION
1	J495000651	1	ENCLOSURE FRAME
2	J485000630	2	+ HINGE
3	9149104010	4	+ SCREW,4X10 TAPPING
4	V420003070	3	STAND,RUBBER
5	9138104020	3	SCREW,4X20 TAPPING
6	V205001170	4	BOLT,M8X20-SPW
7	M470003480	1	COVER
8	V420003160	2	BUSHING,T4X8.2X18 RUBBER
9	V375000480	2	COLLAR,6X8.5
10	9103606020	2	BOLT SW,M6X20
11	90060200008	2	WASHER,M8
12	M040000630	1	FRONT DOOR,ASM
13	J485000600	2	HINGE
14	9149104010	4	SCREW,4X10 TAPPING
15	C701000420	1	LOCK COVER
16	V542000120	1	SEAL,LOCK COVER
17	V264000220	4	FLANGE NUT,M6 SERRATED
18	J500002030	1	PANEL
19	V204002040	5	BOLT,M6X16
20	J495000640	1	ENCLOSURE FRAME
21	V204002040	6	BOLT,M6X16
22	V205001170	2	BOLT,M8X20-SPW
23	M416000070	1	STOPPER,BAND
24	J500001500	1	PANEL,REAR
25	V204002040	18	BOLT,M6X16
26	C527001470	1	STAY
27	J447001460	1	GUARD
28	A172003040	1	COVER,ENG.-FAN (LEFT)
29	A172003050	1	COVER,ENG.-FAN (LEFT)

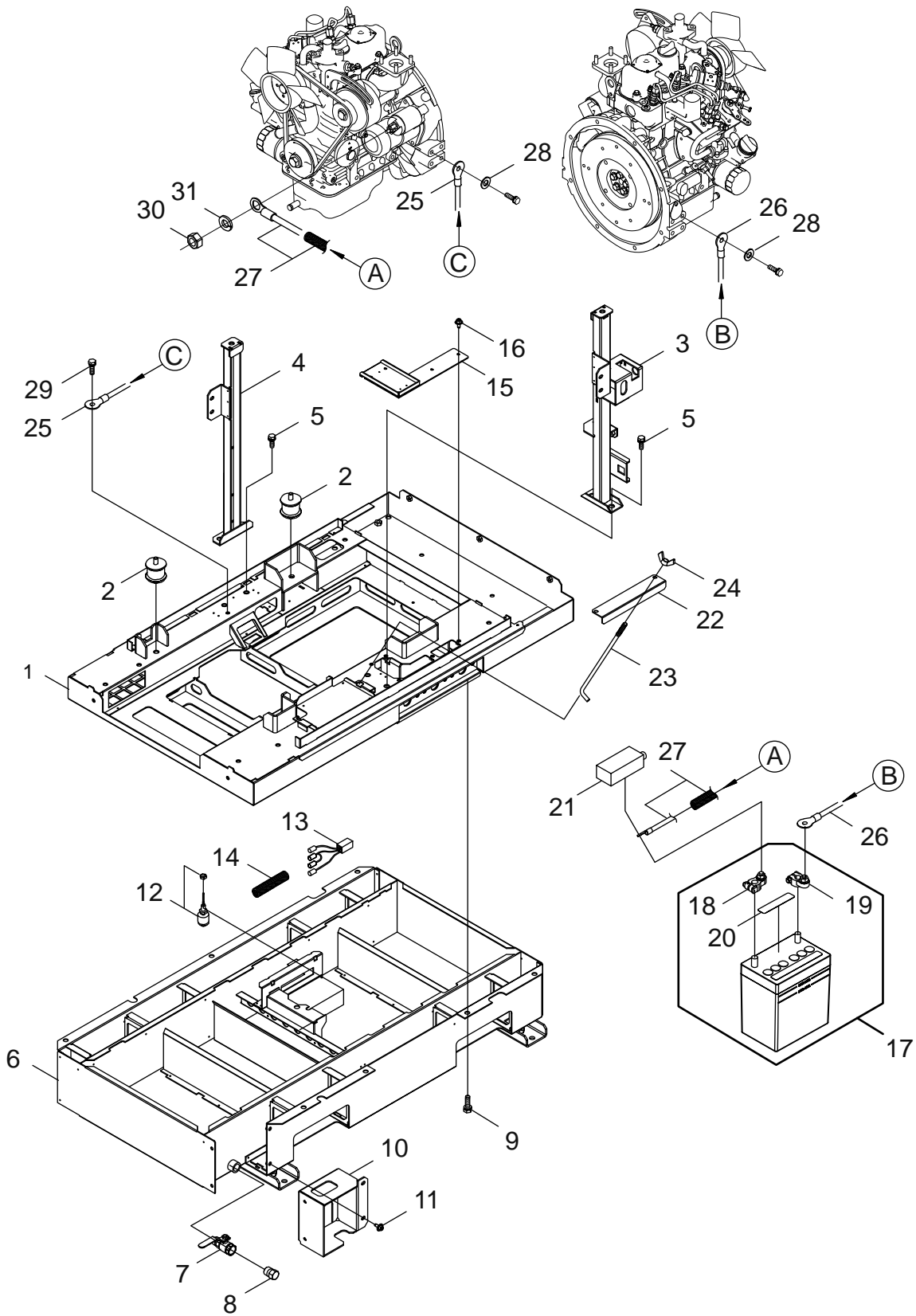
FRONT ENCLOSURE



## FRONT ENCLOSURE

NO.	PART NUMBER	QTY.	DESCRIPTION	
1	C160002010	1	PANEL,OPERATION	
2	9103604012	4	BOLT,M4X12	
3	V299000480	2	OPERATION PANEL ACCESS KNOB	
4	V324000010	2	WASHER,RETAINING	
5	J430001590	1	CONTROL BOX	
6	V204002040	4	BOLT,M6X16	

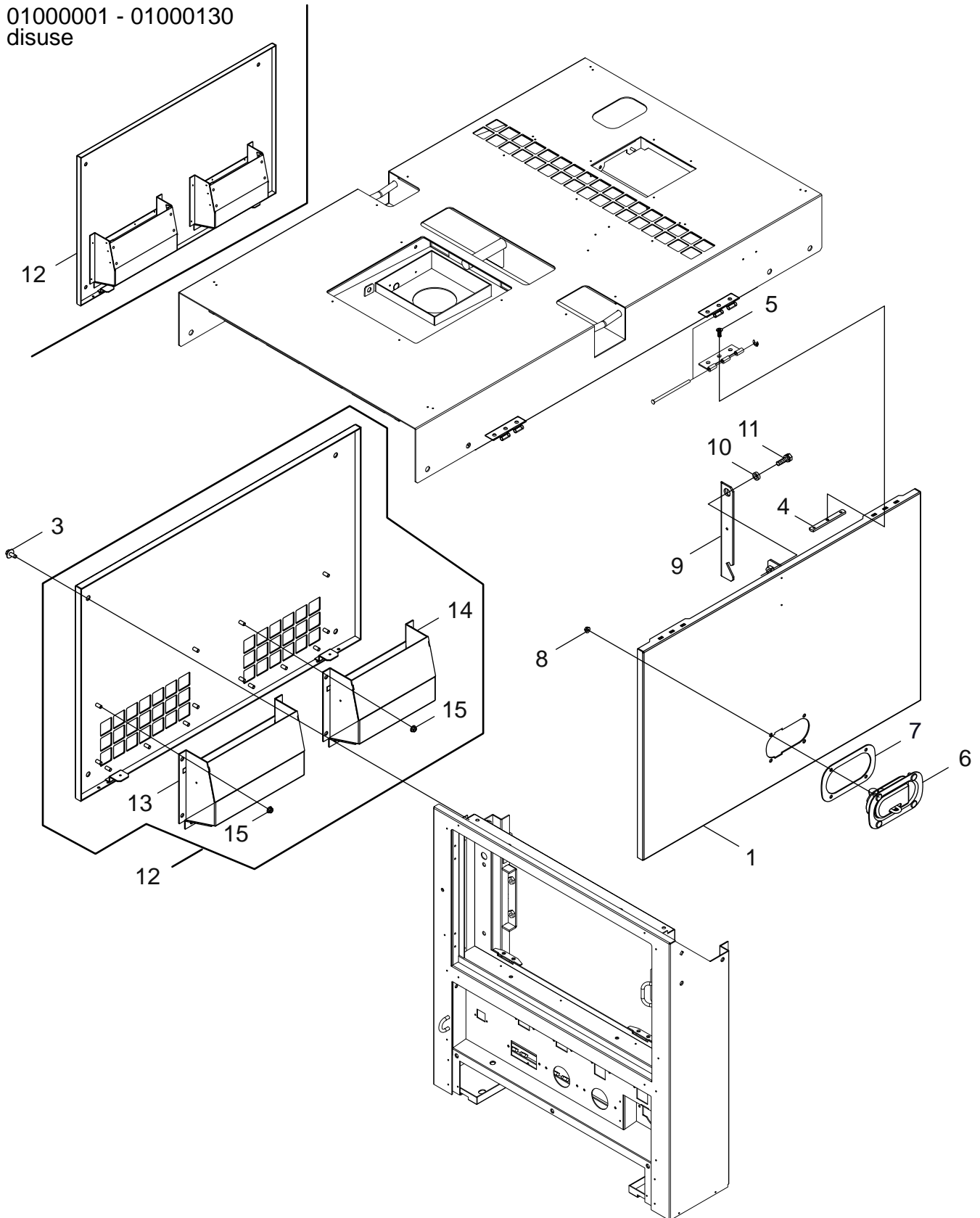
BASE, FRAME



NO.	PART NUMBER	QTY.	DESCRIPTION
1	J404001140	1	FRAME
2	V425000400	4	CUSHION
3	J415001030	1	STAY,ENCLOSURE FRAME
4	J415001040	1	STAY,ENCLOSURE FRAME
5	V206000590	4	BOLT,M10X25-SPW
6	J447001830	1	GUARD
7	E265000310	1	VALVE,BALL (WITH HANDLE)
8	E328000330	1	PLUG,1/2" DRAIN
9	V205001420	7	BOLT,M8X20-SPW
10	J447001450	1	GUARD
11	V204002040	4	BOLT,M6X16
12	G334001080	2	SWITCH,FLOAT
13	G362001100	1	HARNESS,FLOAT SWITCH WIRE
14	V475008430	1	TUBE
15	C603000980	1	PLATE,SIDE
16	V204002040	5	BOLT,M6X16
17	<b>V046000230</b>	<b>1</b>	<b>BATTERY,ASM</b>
18	G304000020	1	+ TERMINAL,POSITIVE
19	G304000030	1	+ TERMINAL,NEGATIVE
20	X505010410	1	+ LABEL,PROPOSITION65/BATTERIES CAUTION
21	G305000030	1	TERMINAL CAP (RED)
22	G303000510	1	HOLDER,BATTERY
23	V240000150	2	BOLT,BATTERY
24	9219008000	2	NUT,M8 WING
25	M386000000	1	LEAD
26	M384000700	1	LEAD
27	M380000170	1	LEAD WIRE,BLACK/RED (ENG. TO BATTERY+)
28	90061700010	2	WASHER,M10
29	V204002040	1	BOLT,M6X16
30	90050000008	1	NUT,M8
31	90060500008	1	WASHER,M8 SPRING
32	6721155470	1	CAP,TERMINAL

RIGHT ENCLOSURE

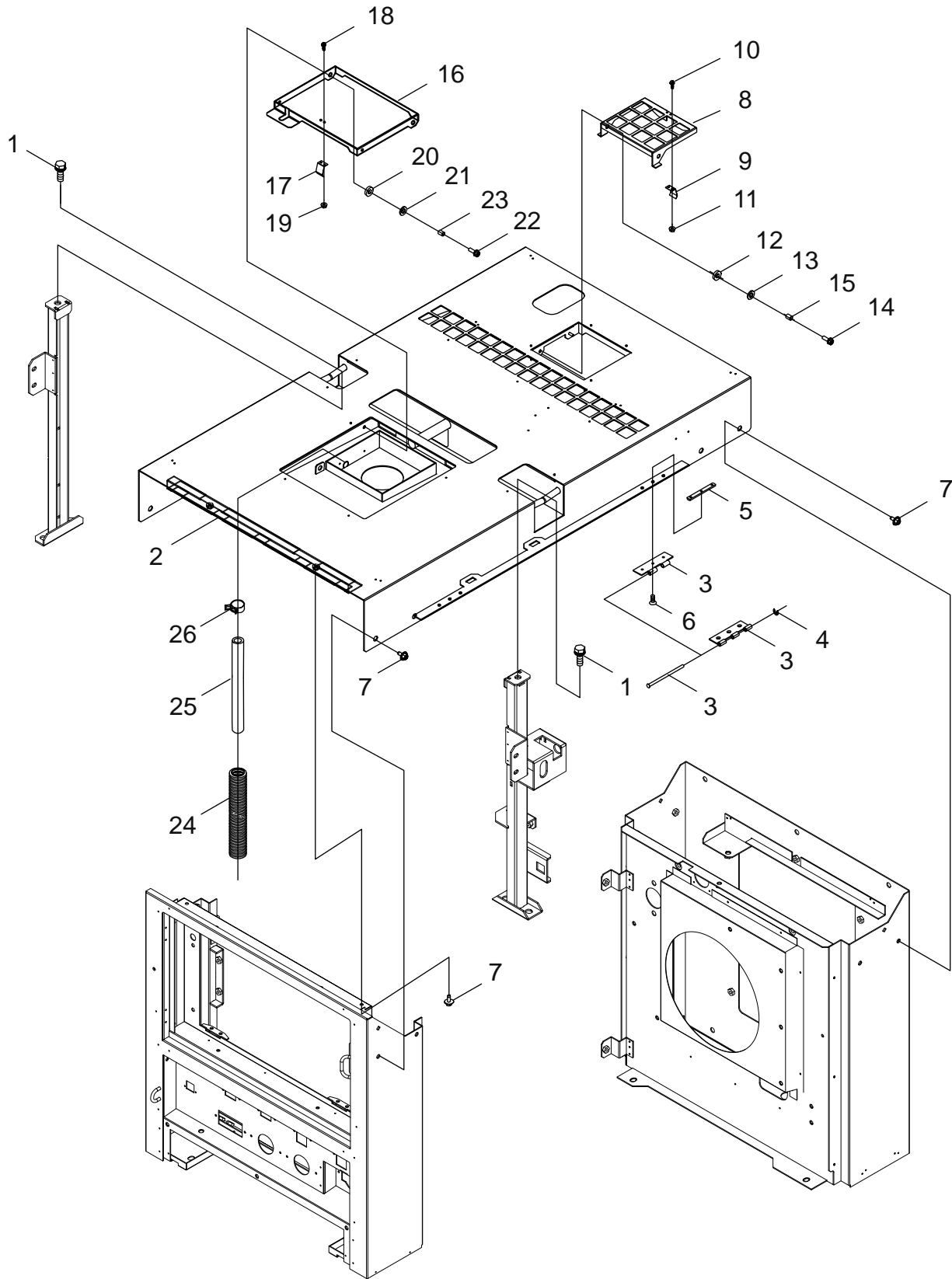
01000001 - 01000130  
disuse



## RIGHT ENCLOSURE

NO.	PART NUMBER	QTY.	DESCRIPTION	
1	M407000440	1	DOOR,RIGHT	
3	V204002040	4	BOLT,M6X16	
4	V150002620	2	HIINGE MOUNTING PLATE	
5	90021204010	6	SCREW,M4X10	
6	C701000420	1	LOCK COVER	
7	V542000120	1	SEAL,LOCK COVER	
8	V264000220	4	FLANGE NUT,M6 SERRATED	
9	G257000990	1	STOPPER,DOOR	
10	V375000460	1	COLLAR,8.5XL4.5	
11	V205001170	1	BOLT,M8X20-SPW	
12	J500002020	1	PANEL	01000001-01000130 DISUSE
<b>12</b>	<b>J500003190</b>	<b>1</b>	<b>PANEL</b>	
13	G128001760	1	+ DUCT,AIR	
14	G128001800	1	+ DUCT,AIR	
15	V264000220	14	+ FLANGE NUT,M6 SERRATED	

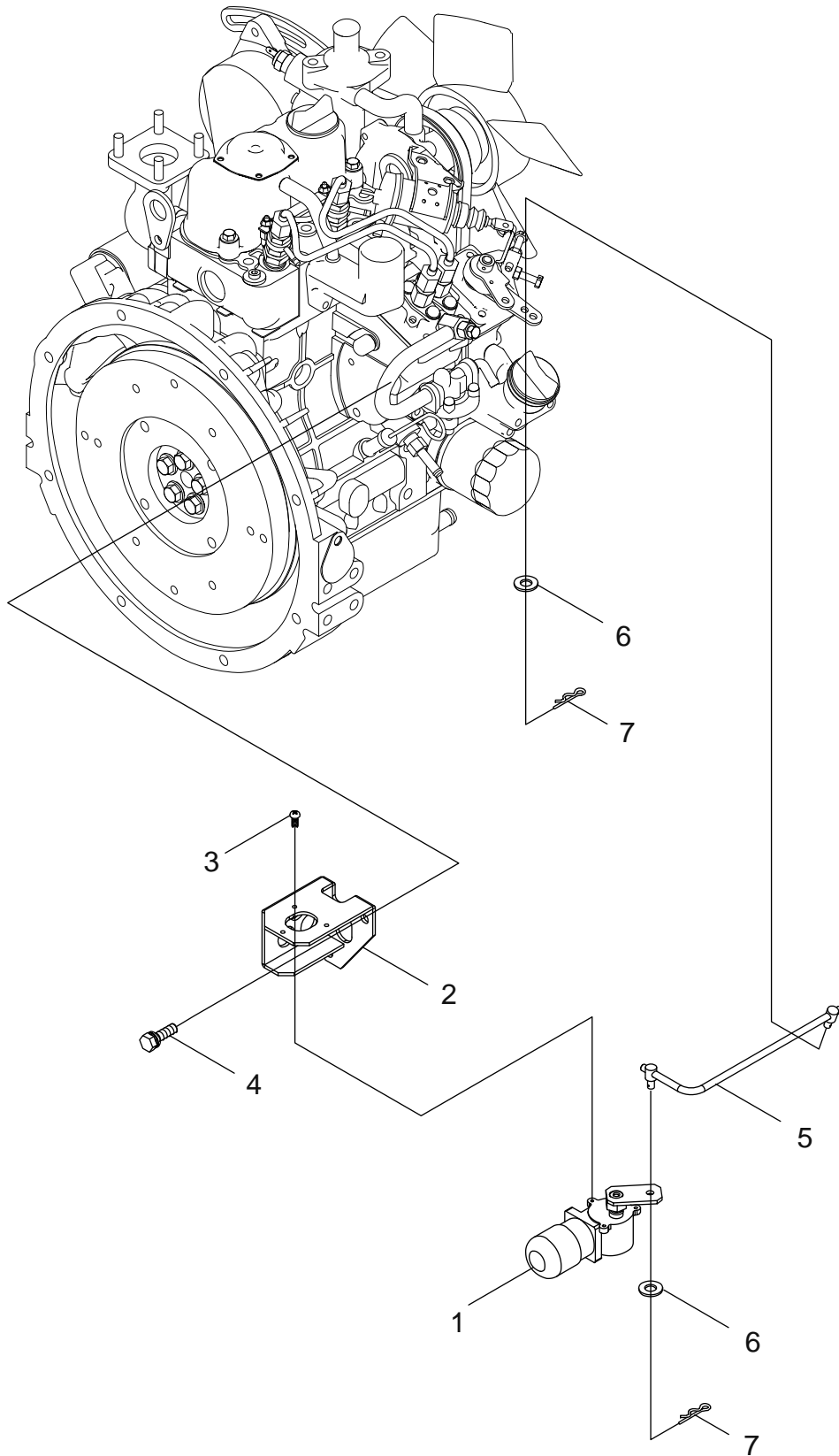
TOP ENCLOSURE



## TOP ENCLOSURE

NO.	PART NUMBER	QTY.	DESCRIPTION	
1	V206000800	2	BOLT,M10X25-SPW	
<b>2</b>	<b>J495000661</b>	<b>1</b>	<b>ENCLOSURE FRAME,HARIZU</b>	
3	J485000610	2	+ HINGE	
4	90070300004	2	+ E-RING CE-4 SUS	
5	V150002620	2	+ HIINGE MOUNTING PLATE	
6	90021204010	6	+ SCREW,M4X10	
7	V204002040	11	BOLT,M6X16	
8	J480001740	1	COOLANT (RADIATOR) INLET COVER	
9	C390000010	1	INLET COVER LATCH	
10	9156403012	2	SCREW,M3X12 SW	
11	V261000010	2	FLANGE NUT,M3 SERRATED	
12	V420003160	2	BUSHING,T4X8.2X18 RUBBER	
13	90060200008	2	WASHER,M8	
14	9103606020	2	BOLT SW,M6X20	
15	V375000480	2	COLLAR,6X8.5	
16	A354000100	1	LID,FUEL TANK INLET	
17	C390000010	1	INLET COVER LATCH	
18	9156403012	2	SCREW,M3X12 SW	
19	V261000010	2	FLANGE NUT,M3 SERRATED	
20	V420003160	2	BUSHING,T4X8.2X18 RUBBER	
21	90060200008	2	WASHER,M8	
22	9103606020	2	BOLT SW,M6X20	
23	V375000480	2	COLLAR,6X8.5	
24	V475007240	1	TUBE,22XL850	
25	1K36233210	1	TOP CVR SPILL CONTAIN PIPE,13X20X950	TOP COVER - SPILL CONTAINMENT
26	931888185	1	HOSE CLAMP	

ENGINE PARTS



## ENGINE PARTS

NO.	PART NUMBER	QTY.	DESCRIPTION	
1	G280000430	1	MOTOR,RPM ADJUSTMENT	
2	C527001460	1	STAY	
3	9156403012	3	SCREW,M3X12 SW	
4	V205001170	2	BOLT,M8X20-SPW	
5	C454000550	1	ROD,THROTTLE	
6	90060200006	2	WASHER,M6	
7	9300306000	2	PIN CLIP	



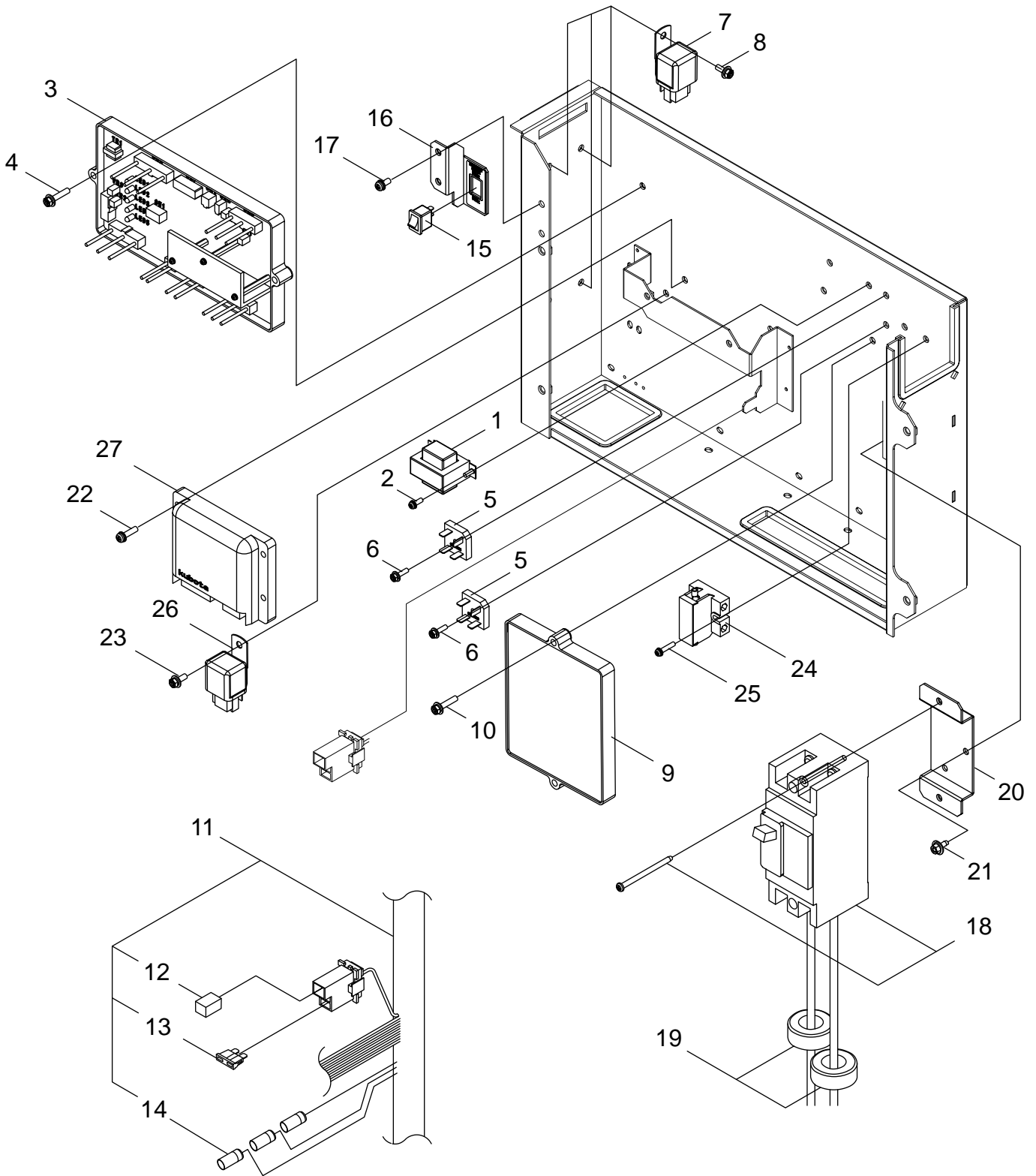
NO.	PART NUMBER	QTY.	DESCRIPTION
1	G020000170	1	GENERATOR,DGK7F
5	M305000680	1	+ HOUSING
6	M305000690	1	+ HOUSING
7	V207000300	4	+ BOLT,12
8	90060500012	4	+ WASHER,M12 SPRING
9	90061700012	4	+ WASHER,M12
10	C527001440	1	+ STAY
11	C527001450	1	+ STAY
12	9102410030	8	+ BOLT,M10X30-SPW
13	J447001350	1	+ GUARD,REAR BRACKET (UPPER)
14	J447001360	1	+ GUARD,REAR BRACKET (LOWER)
15	9156406016	8	+ SCREW SW,6X16
16	M102000831	1	+ ROTOR
17	V592000200	1	+ BEARING,BALL
18	9242334000	1	+ SNAP RING,CS-34
19	9101410030	4	+ BOLT,M10X30 P1.25
20	90060500010	4	+ WASHER,M10 SPRING
21	A171000091	1	+ FAN,ROTOR COOLING
22	90014708025	6	+ BOLT,M8X25
23	M106001420	1	+ STATOR
24	M106001270	1	+ STATOR,EXCITER
25	9102405040	4	+ BOLT,M5X40
26	V476001230	1	TUBE
27	A565000200	5	PLATE,SEAL
28	C519002461	2	BRACKET,GENERATOR HOUSING MOUNTING
29	M416000010	2	TIE MOUNT
30	9134305012	2	SCREW,M5X12
31	V266000130	2	FLANGE NUT,M10 SERRATED



## MAIN CONTROL PANEL

NO.	PART NUMBER	QTY.	DESCRIPTION	
1	G319000190	1	METER,HOUR	
2	M109000100	1	METER,VOLT 0 - 300V	
3	G370002531	1	UNIT,CONTROL	
4	9146104012	5	SCREW,M4X12	
5	M112000160	1	VOLUME,VOLTAGE REGULATOR	VOLTAGE REGULATOR
6	M702000050	1	INS PAPER	
7	E145000060	1	DIAL,VOLUME	
8	G327000740	2	LAMP,BD-1001 DC12V	
9	G327000400	1	LAMP	
10	90023804016	2	SCREW,M4X16	
11	V262000190	2	FLANGE NUT,M4 SERRATED	
12	A440001970	1	SWITCH,MOMENTARY TOGGLE	DISPLAY SELECTOR
13	V494000910	1	CAP,TOGGLE SWITCH	
14	G334002060	1	SWITCH,AUTO STOP START	STARTER
15	G334001960	1	SWITCH,ACCESSORY	ACCESSORY
16	A447000140	1	COVER,SWITCH KNOB	

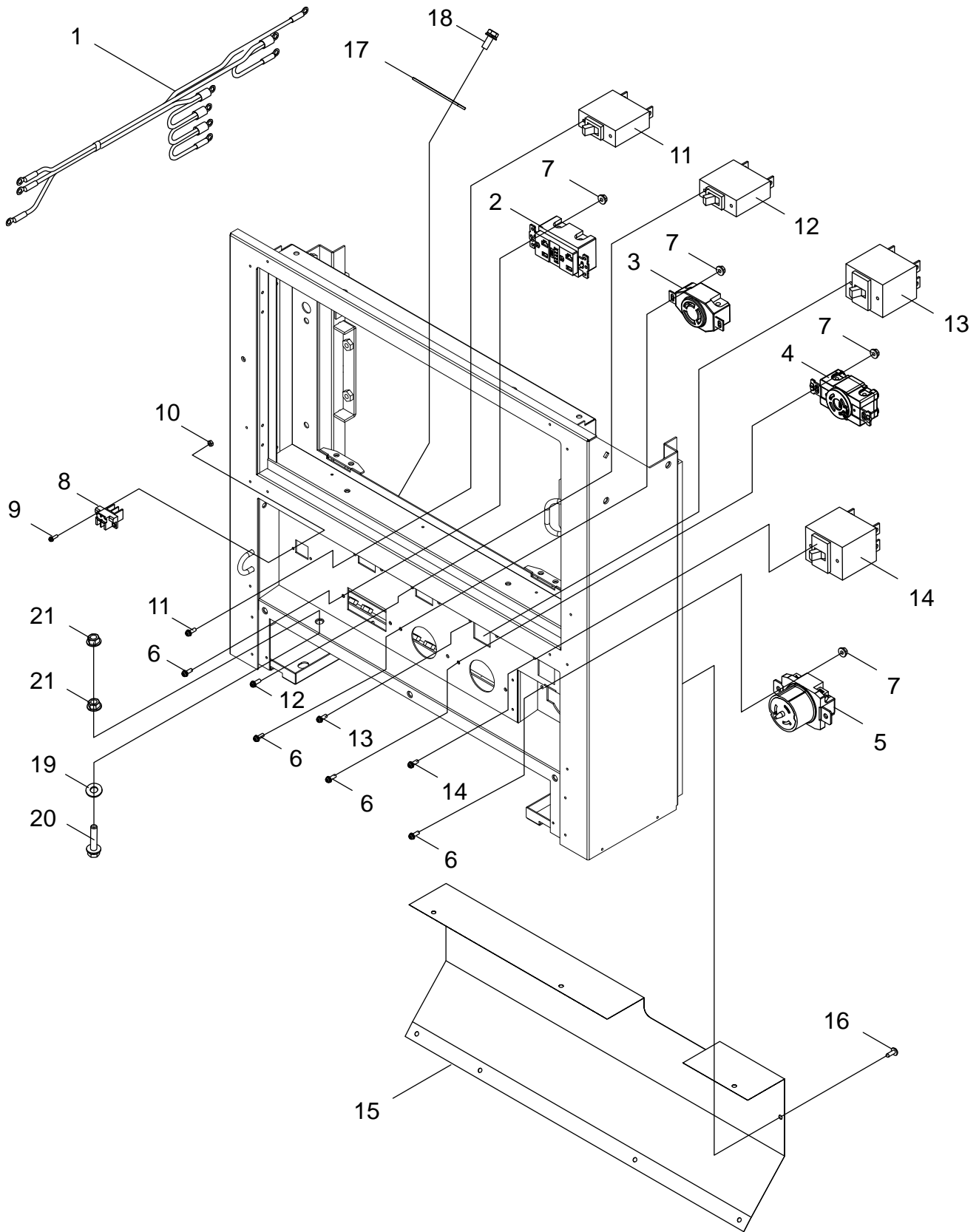
MAIN BREAKER AND CONTROL BOX



## MAIN BREAKER AND CONTROL BOX

NO.	PART NUMBER	QTY.	DESCRIPTION	
1	C163000090	1	TRANSFORMER	
2	9156404012	2	SCREW,M4X12 SW	
3	G370002172	1	UNIT,AVR CONTROL	
4	9103605025	2	BOLT,M5X25 SW	
5	M105000000	2	STARTER EXCITER	
6	9103604016	2	BOLT,M4X16	
7	G370000471	3	12V 1A CONTROL RELAY	
8	9103705014	3	BOLT,M5X14	
9	G370003340	1	UNIT,CONTROL	
10	9103605025	2	BOLT,M5X25 SW	
11	<b>G362001342</b>	<b>1</b>	<b>HARNESS,WIRE</b>	
12	G350000540	1	+ FUSE	
13	G350000520	1	+ FUSE	
14	G347000020	3	+ DIODE	
15	A440002650	1	SWITCH,ROCKER	FREQUENCY CHANGE
16	C527001610	1	ROCKER SWITCH MOUNTING BRACKET	
17	9156405012	2	SCREW SW,5X12	
18	M111001550	1	BREAKER,SINGLE PHASE 600V	
19	M108000190	2	CURRENT TRANSFORMER	
20	C527002060	1	STAY	
21	V204002040	3	BOLT,M6X16	
22	9156405020	4	SCREW SW,5X20	
23	9156405012	1	SCREW SW,5X12	
24	M308000620	1	BLOCK,SINGLE PHASE TERMINAL	
25	9156404016	2	SCREW,4X16 SPW	
26	5H63242510	1	RELAY,GLOW PLUG	
27	1747260606	1	ECU(EG-2)	

POWER OUTPUT TERMINALS

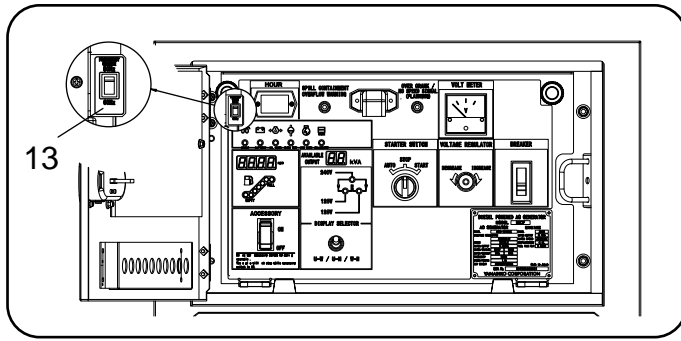


+ Denotes item is part of an assembly  
 ++ Denotes item is part of a sub-assembly

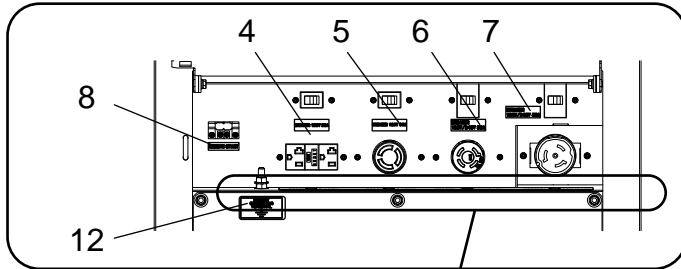
## POWER OUTPUT TERMINALS

NO.	PART NUMBER	QTY.	DESCRIPTION
1	G362001350	1	HARNESS,WIRE
2	C154000491	1	RECEPTACLE,GFCI 20A,125V
3	C154000480	1	PLUG SOCKET
4	C154000180	1	SOCKET,50A 240V TWIST LOCK
5	C154000170	1	PLUG SOCKET,TWIST LOCK 50A 125/250V
6	9156404012	8	SCREW,M4X12 SW
7	V262000190	8	FLANGE NUT,M4 SERRATED
8	M308000680	1	BLOCK,TSU-281-2P TERMINAL
9	9156403012	2	SCREW,M3X12 SW
10	V261000010	2	FLANGE NUT,M3 SERRATED
11	C137000080	1	CIRCUIT BREAKER,20A
12	C137000510	1	PROTECTOR
13	C137000090	1	CIRCUIT BREAKER,20A
14	C137000070	1	CIRCUIT BREAKER,50A
15	C557000570	1	PLATE,PROTECTION
16	V491000470	11	CLIP,CANOE
17	V150003140	1	PLATE,EYE
18	V204002040	3	BOLT,M6X16
19	90060200008	1	WASHER,M8
20	9103408040	1	BOLT SW
21	V265000450	2	NUT,8

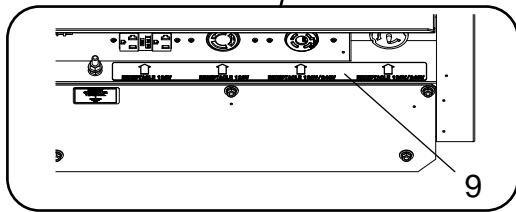
SHINDAIWA LABELS



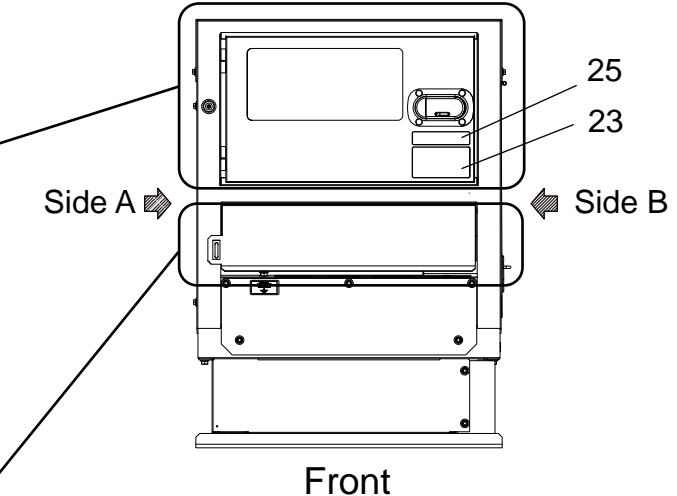
(inside)



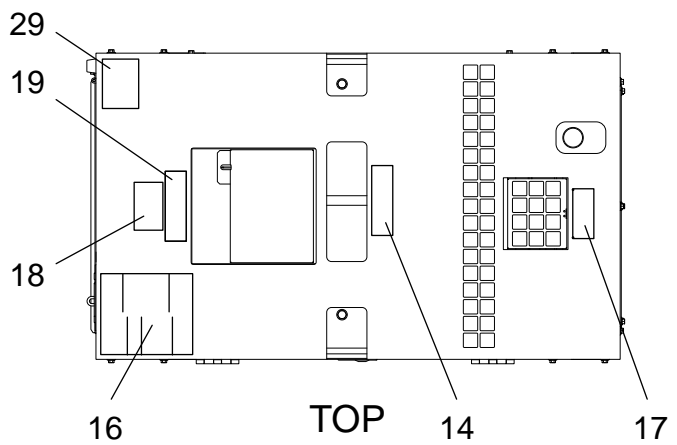
(inside)



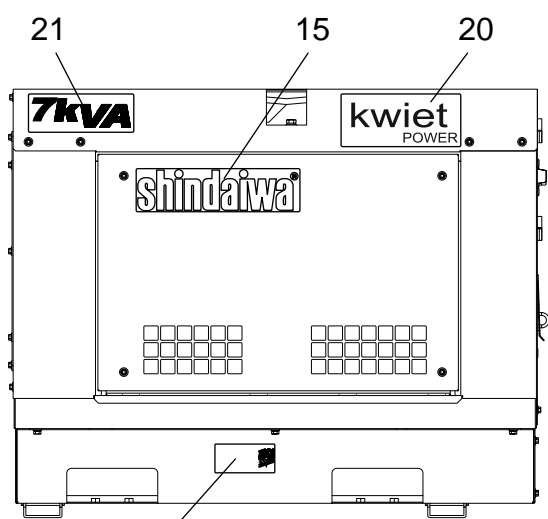
(Top view)



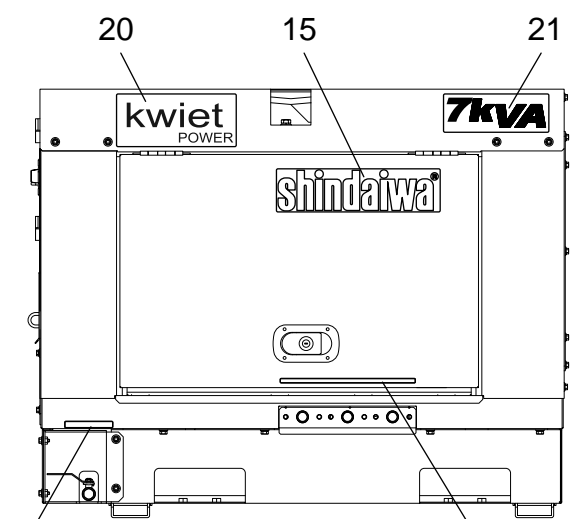
Front



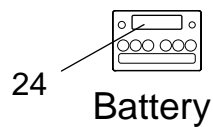
TOP



Side A



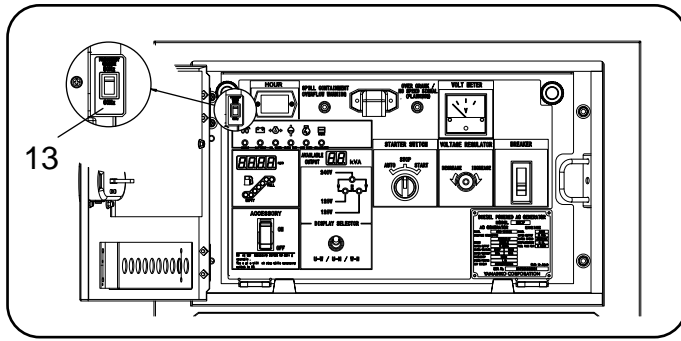
Side B



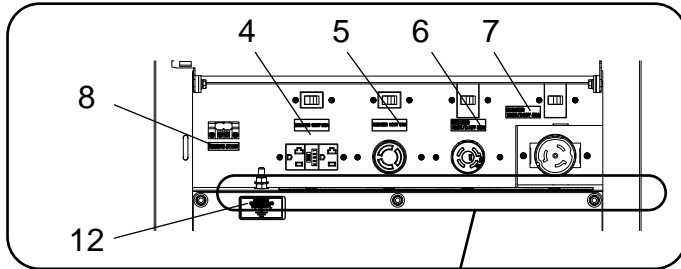
Battery

NO.	PART NUMBER	QTY.	DESCRIPTION
4	M704003250	1	LABEL,INST
5	M704003270	1	LABEL,INST
6	M704003280	1	LABEL,INST
7	M704003290	1	LABEL,INST
8	M704003260	1	LABEL,REMOTE START INST.
9	M704003240	1	LABEL,INST
10	M707000580	1	LABEL,SPILL CONTAINMENT DRAIN INST.
11	M704001520	1	LABEL,WATER DRAIN INST.
12	M704001400	1	LABEL,INST
13	M707000430	1	LABEL,FREQUENCY CHANGE INST.
14	X505007550	1	LABEL,WARNING:INJURY CAUTION
15	X504006320	2	LABEL,SHINDAIWA BRAND
16	X505007571	1	LABEL,CAUTION
17	X505007840	1	LABEL,CAUTION:GM SPEC LLC
18	X505008400	1	LABEL,EPA REGULATION C CAUTION
19	X505007650	1	LABEL,WARNING/FIRE CAUTION
20	M705001140	2	LABEL,KWIET POWER FEATURE
21	X524007140	2	LABEL
22	M707001350	1	LABEL,SPILL CONTAINMENT DESORPTION INST.
23	X505010400	1	LABEL,PROPOSITION65/OPERATING CAUTION
24	X505010410	1	LABEL,PROPOSITION65/BATTERIES CAUTION
25	X505010800	1	LABEL,CAUTION:THIS MACHICE STARTS
29	X505011430	1	LABEL,DANGER:CARBON MONOXIDE POISONING

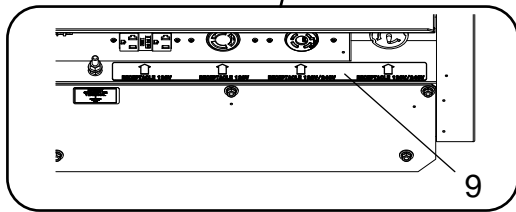
ECHO LABELS



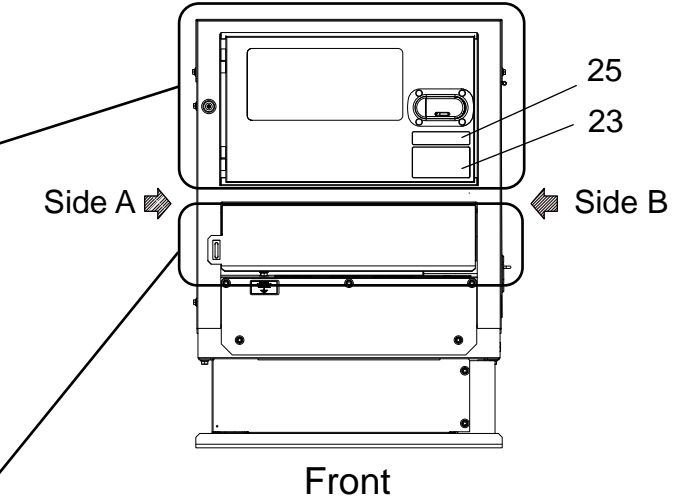
(inside)



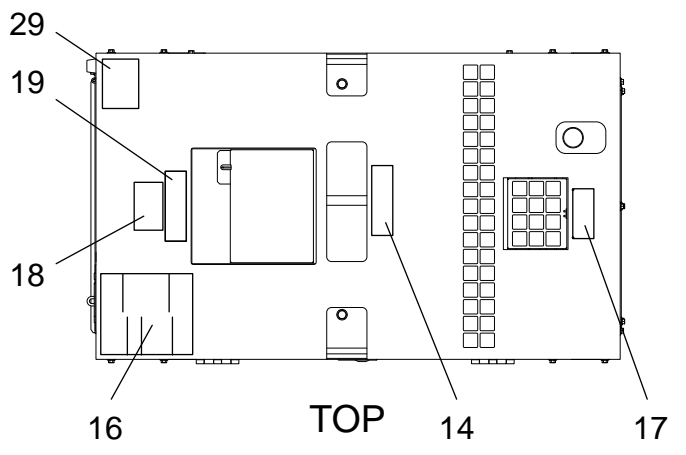
(inside)



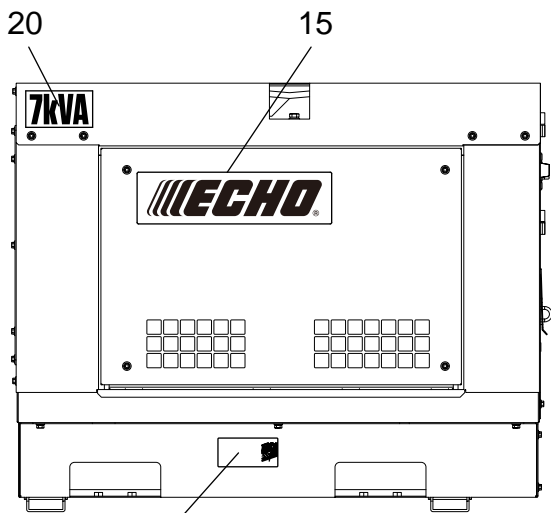
(Top view)



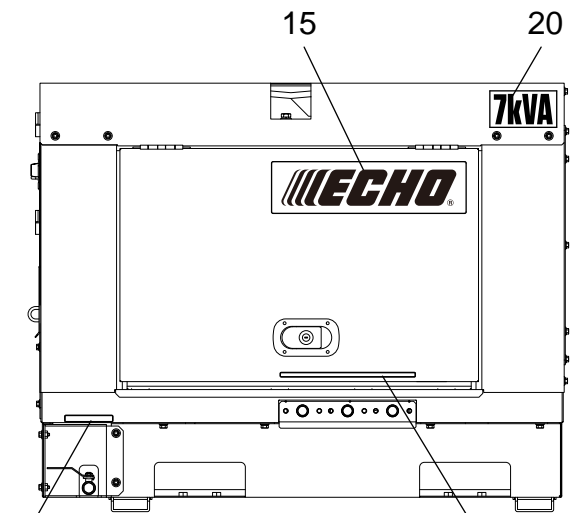
Front



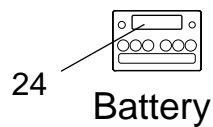
TOP



Side A



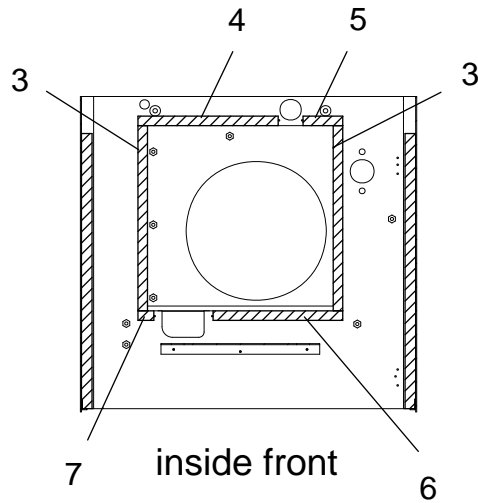
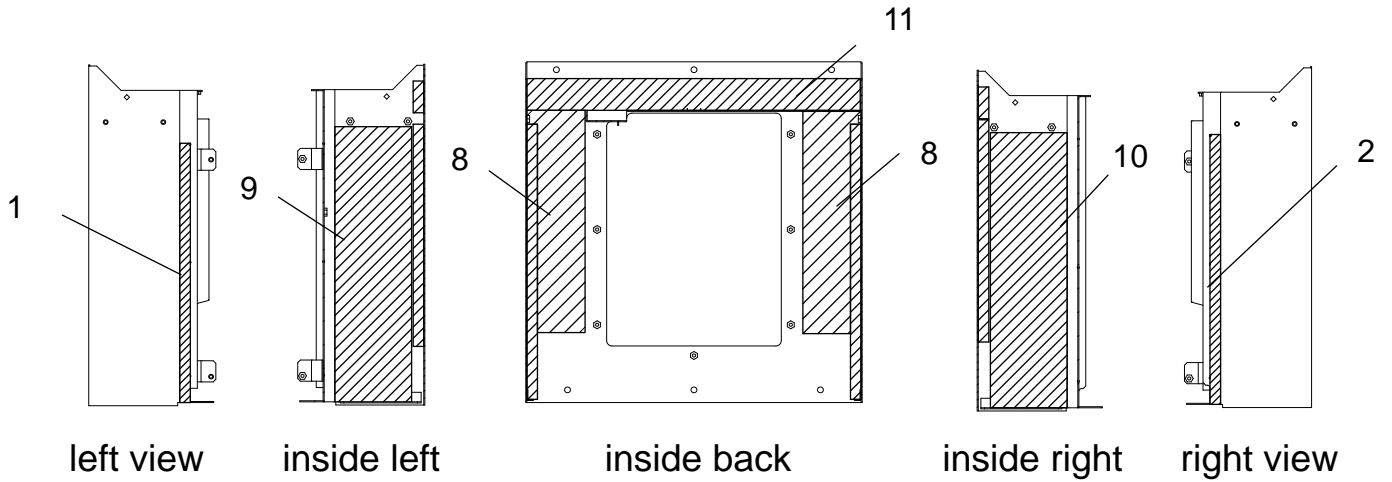
Side B



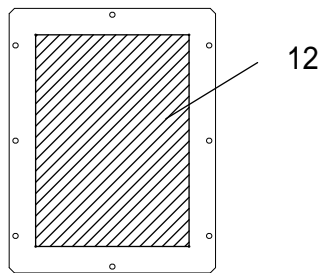
Battery

NO.	PART NUMBER	QTY.	DESCRIPTION
4	M704003250	1	LABEL,INST
5	M704003270	1	LABEL,INST
6	M704003280	1	LABEL,INST
7	M704003290	1	LABEL,INST
8	M704003260	1	LABEL,REMOTE START INST.
9	M704003240	1	LABEL,INST
10	M707000580	1	LABEL,SPILL CONTAINMENT DRAIN INST.
11	M704001520	1	LABEL,WATER DRAIN INST.
12	M704001400	1	LABEL,INST
13	M707000430	1	LABEL,FREQUENCY CHANGE INST.
14	X505007550	1	LABEL,WARNING:INJURY CAUTION
15	X502001500	2	LABEL, ECHO
16	X505007571	1	LABEL,CAUTION
17	X505007840	1	LABEL,CAUTION:GM SPEC LLC
18	X505008400	1	LABEL,EPA REGULATION C CAUTION
19	X505007650	1	LABEL,WARNING/FIRE CAUTION
20	X524008200	2	LABEL
22	M707001350	1	LABEL,SPILL CONTAINMENT DESORPTION INST.
23	X505010400	1	LABEL,PROPOSITION65/OPERATING CAUTION
24	X505010410	1	LABEL,PROPOSITION65/BATTERIES CAUTION
25	X505010800	1	LABEL,CAUTION:THIS MACHICE STARTS
29	X505011430	1	LABEL,DANGER:CARBON MONOXIDE POISONING

### REAR ENCLOSURE FRAME INSULATION



Rear Bonnet



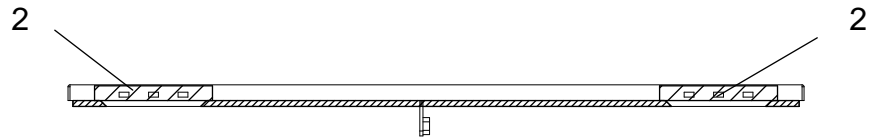
back view

Rear panel

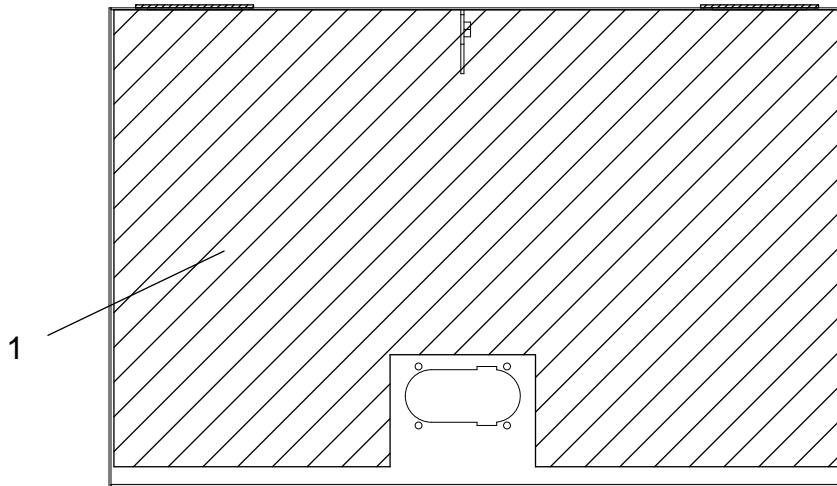
## REAR ENCLOSURE FRAME INSULATION

NO.	PART NUMBER	QTY.	DESCRIPTION	
1	J414002400	1	SEAL,T10X20X490 REAR ENCLOSURE FRAME	REAR BONNET
2	J414002380	1	SEAL,T3 10X20X510 REAR ENCLOSURE FRAME	REAR BONNET
3	V413000440	2	FOAM INSULATION,T20X18X350 REAR ENCLOSURE FRAME	REAR BONNET
4	V542000550	1	SEAL,T10X18X265 REAR ENCLOSURE FRAME	REAR BONNET
5	V542000560	1	SEAL,T10X18X75 REAR ENCLOSURE FRAME	REAR BONNET
6	V542000110	1	SEAL,T10X18X245 REAR ENCLOSURE FRAME	REAR BONNET
7	V542000570	1	SEAL,T10X18X30 REAR ENCLOSURE FRAME	REAR BONNET
8	V411000380	2	FOAM INSULATION,T20X110X420 REAR ENCLOSURE FRAME	REAR BONNET
9	A322000270	1	MUFFLER INSULATOR,T20X145X520 REAR ENCLOSURE FRAME	REAR BONNET
10	V411000440	1	FOAM INSUALTION,T20X145X520 REAR ENCLOSURE FRAME	REAR BONNET
11	V411000450	1	FOAM INSUALTION,T20X60X630 REAR ENCLOSURE FRAME	REAR BONNET
12	V413000370	1	FOAM INSUALTION,T20X290X400 REAR PANEL	REAR PANEL

# RIGHT ENCLOSURE PANEL INSULATION



top view



back view

Panel

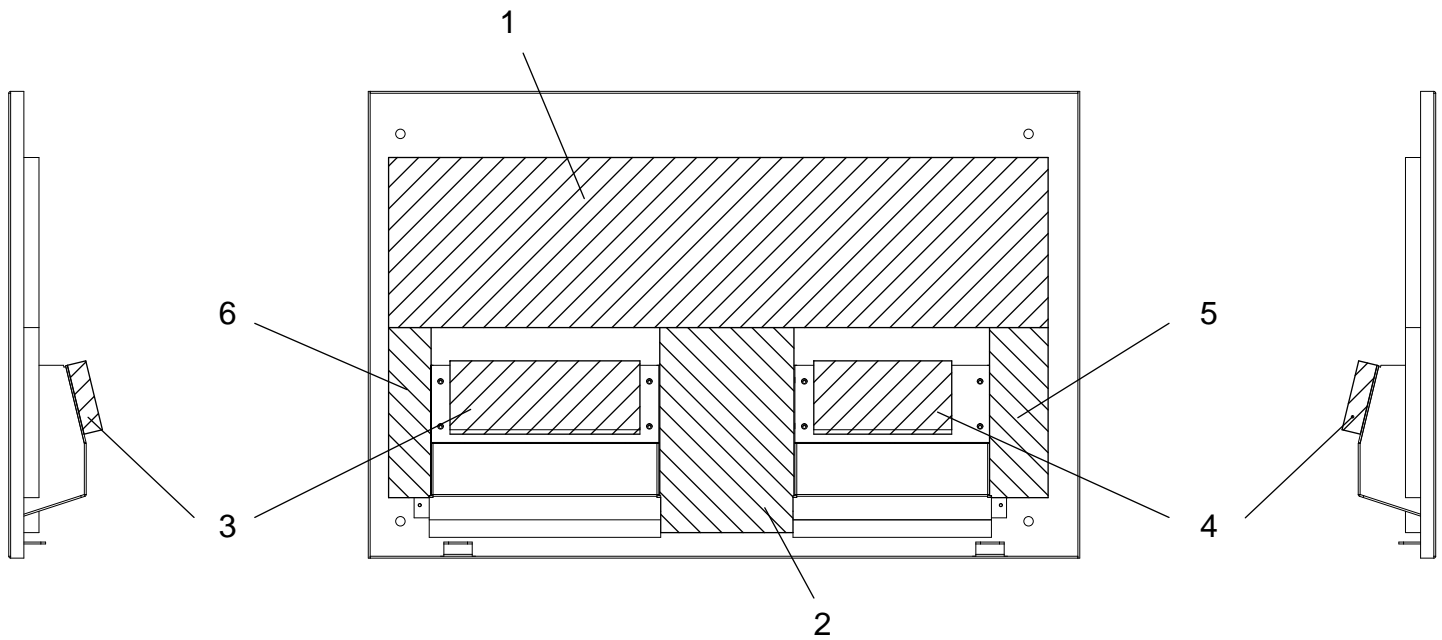


RIGHT ENCLOSURE PANEL INSULATION

NO.	PART NUMBER	QTY.	DESCRIPTION	
1	V411000460	1	FOAM INSUALTION,T20X465X739 PANEL	PANEL
2	V541000870	2	SEAL,T3X15X120 PANEL	PANEL

LEFT ENCLOSURE PANEL AND AIR DUCTS INSULATION

D17601000001 - D17601000130



right view

back view

left view

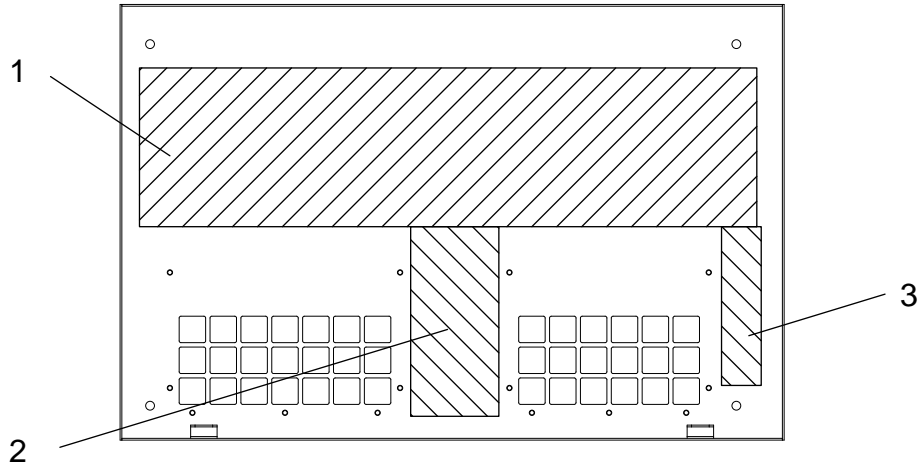
Panel

## LEFT ENCLOSURE PANEL AND AIR DUCTS INSULATION

NO.	PART NUMBER	QTY.	DESCRIPTION	
1	V411000470	1	PANEL,T30X180X700 FOAM INSULATION	PANEL
2	V411000630	1	INSULATION,T30X140X215 PANEL	PANEL
3	V411000500	1	LEFT AIR DUCT,T20X75X200 FOAM INSULATION	PANEL
4	V411000510	1	RIGHT AIR DUCT,T20X75X145 FOAM INSULATION	PANEL
5	V411000640	1	INSULATION,T30X60X180 PANEL	PANEL
6	V411000490	1	PANEL,T30X45X180 FOAM INSULATION	PANEL

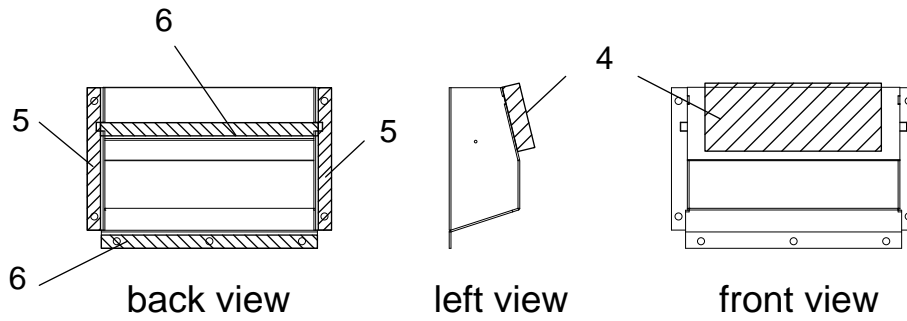
LEFT ENCLOSURE PANEL AND AIR DUCTS INSULATION

D17601000131 -



back view

Panel

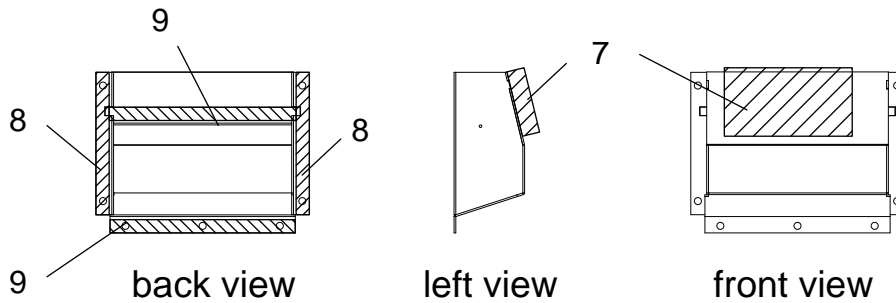


back view

left view

front view

Airduct : left



back view

left view

front view

Airduct : right

## LEFT ENCLOSURE PANEL AND AIR DUCTS INSULATION

NO.	PART NUMBER	QTY.	DESCRIPTION	
1	V411000470	1	PANEL,T30X180X700 FOAM INSULATION	PANEL
2	V411000480	1	PANEL,T30X100X215 FOAM INSULATION	PANEL
3	V411000490	1	PANEL,T30X45X180 FOAM INSULATION	PANEL
4	V411000500	1	LEFT AIR DUCT,T20X75X200 FOAM INSULATION	AIR DUCT : LEFT
5	J481000580	2	LEFT AIR DUCT,T1.5X15X160 COVER SEAL	AIR DUCT : LEFT
6	J481000630	2	LEFT AIR DUCT,T1.5X15X250 COVER SEAL	AIR DUCT : LEFT
7	V411000510	1	RIGHT AIR DUCT,T20X75X145 FOAM INSULATION	AIR DUCT : RIGHT
8	J481000580	2	LEFT AIR DUCT,T1.5X15X160 COVER SEAL	AIR DUCT : RIGHT
9	J481000610	2	RIGHT AIR DUCT,T1.5X15X210 COVER SEAL	AIR DUCT : RIGHT