

## DGK14F Generator with Auto Start feature



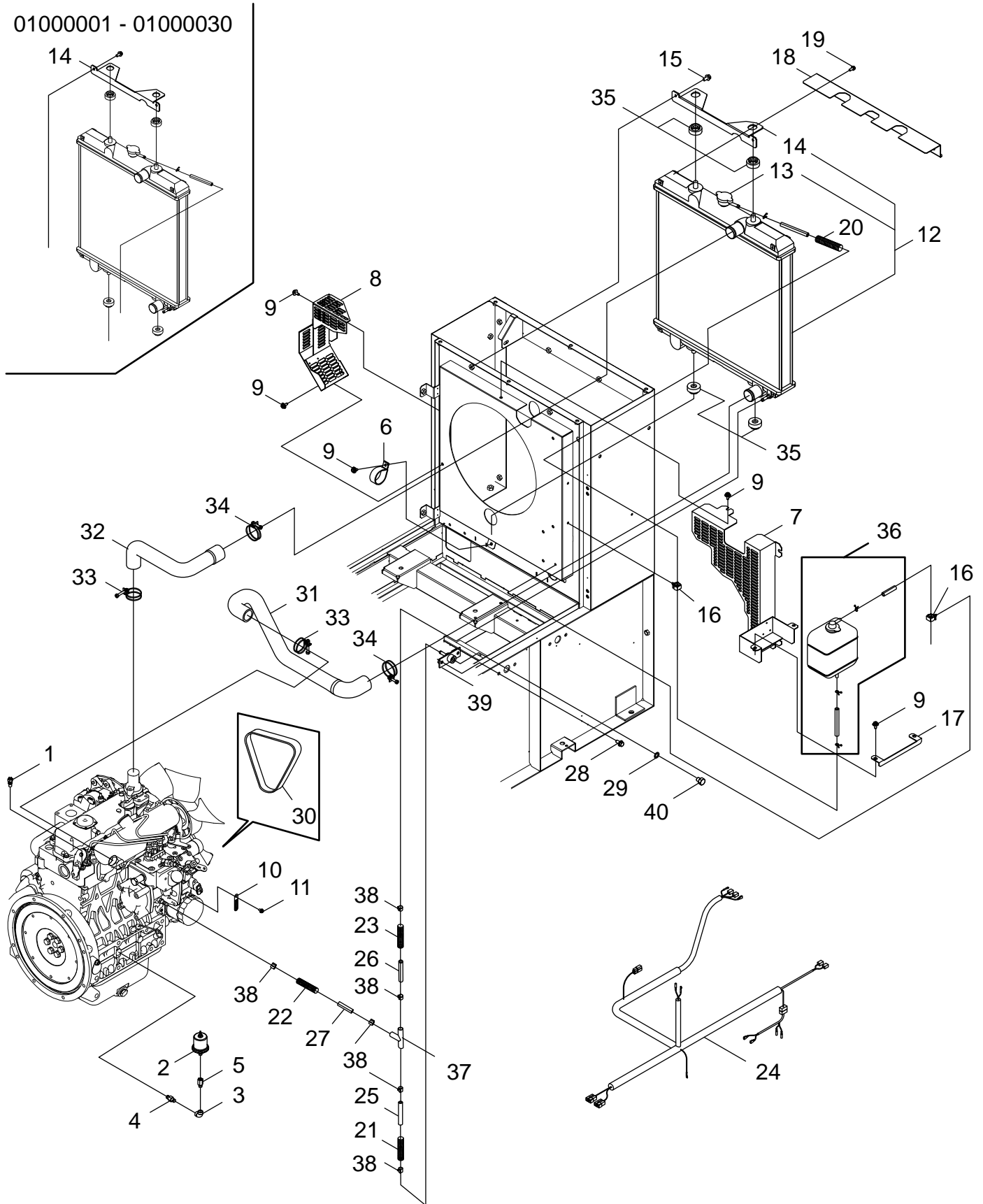
### SERIAL NUMBERS

D18101000001 - D18101999999

RADIATOR ASSEMBLY.....	2	ECHO LABELS.....	34
RIGHT ENCLOSURE.....	4	REAR FRAME ENCLOSURE INSULATION .....	36
TOP ENCLOSURE.....	6	REAR ENCLOSURE FRAME DOOR INSULATION .....	38
ALTERNATOR.....	8	REAR ENCLOSURE FRAME DOOR AND DUCT INSULATION .....	40
MAIN CONTROL PANEL.....	10	LEFT ENCLOSURE PANEL INSULATION.....	42
MAIN BREAKER AND CONTROL BOX .....	12	LEFT ENCLOSURE PANEL DUCT INSULATION.....	44
POWER OUTPUT TERMINAL.....	14		
AIR AND MUFFLER ASSEMBLY .....	16		
FUEL TANK, OIL CONTAINMENT.....	18		
FUEL LINES.....	20		
OIL LINES.....	22		
ENCLOSURE FRAME.....	24		
FRONT ENCLOSURE.....	26		
BASE FRAME.....	28		
LEFT ENCLOSURE .....	30		
SHINDAIWA LABELS.....	32		

RADIATOR ASSEMBLY

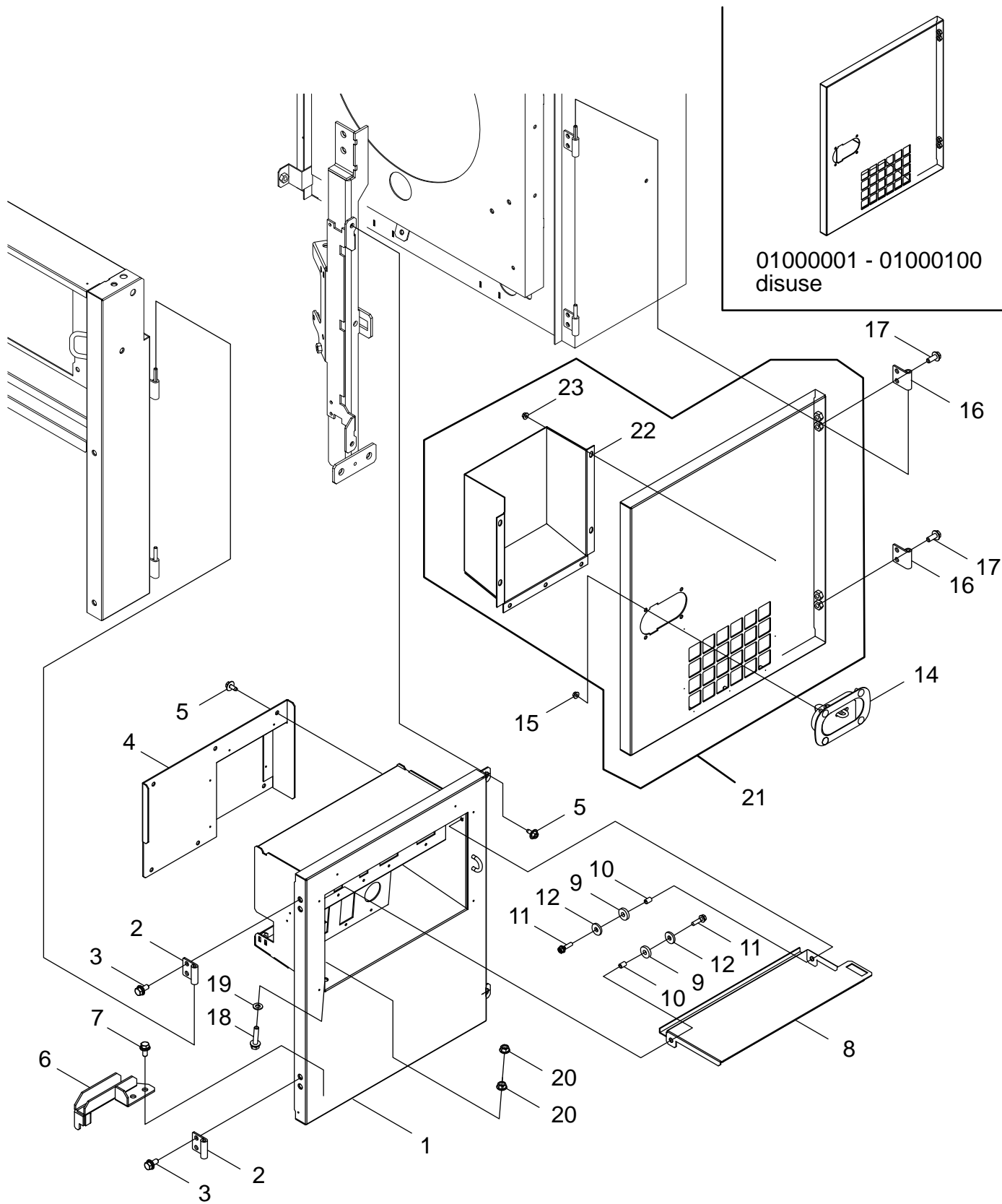
01000001 - 01000030



## RADIATOR ASSEMBLY

NO.	PART NUMBER	QTY.	DESCRIPTION	
1	G365000041	1	SENSOR,WATER TEMP-U THERMO	
2	C100000440	1	OIL PRESSURE SENDING UNIT	
3	E237000280	1	ELBOW	
4	V187000370	1	NIPPLE	
5	K430000040	1	NIPPLE,MALE 1/8	
6	V490000820	1	CLAMP,WIRE HARNESS	
7	A172001730	1	SHROUND,FAN COVER	
8	A172002820	1	SHROUND,FAN COVER	
9	V204001090	9	BOLT,M6X16 FT SW	
10	V490000810	1	CLAMP,WIRE HARNESS	
11	9156406010	1	SCREW-SW	
12	<b>G200000100</b>	<b>1</b>	<b>RADIATOR ASSY</b>	
13	M608000040	1	+ RADIATOR CAP	
14	G201000670	1	+ BRACKET,UPPER RADIATOR SUPPORT	D18101000031-
14	G201000450	1	BRACKET,UPPER RADIATOR SUPPORT	D18101000001-D18101000030
15	V205001170	3	BOLT,M8X20-SPW	
16	V495002510	3	BAND	
17	G126000230	1	BRACKET,OVERFLOW TANK MOUNTING	
18	M471000520	1	COVER	D18101000031-
19	9103606016	2	BOLT SW	D18101000031-
20	V475008390	1	TUBE,13XL310	D18101000031-
21	V475006260	1	TUBE	
22	V475008370	1	TUBE,13XL140	
23	V475007520	1	TUBE,13XL450	
24	G031004530	1	HARNESS,WIRE	
25	966170380	1	TUBE,7.3X12.5X150	3-WAY JOINT - COOLANT DRAIN
26	966170500	1	TUBE,7.3X12.5X380	RADIATOR - 3-WAY JOINT
27	966170180	1	TUBE,7.3X12.5X180	ENGINE(COOLANT) - 3-WAY JOINT
28	V205001420	2	BOLT,M8X20-SPW	
29	6C09058960	1	GASKET	
30	1711297012	1	V BELT	
31	1K37672850	1	HOSE,WATER	LOWER
32	1K37672940	1	HOSE,WATER	UPPER
33	1510872870	2	BAND,PIPE	
34	1500172870	2	BAND,PIPE	
35	6C04058580	4	CUSHION	
36	1718972402	1	OVERFLOW TANK ASSEMBLY	
37	3N60042170	1	JOINT,TEE TYPE	
38	1491142751	6	PIPE CLIP	
39	1K12533743	1	DRAIN PIPE SOCKET	
40	1522133750	1	DRAIN PLUG,M12X1.25	

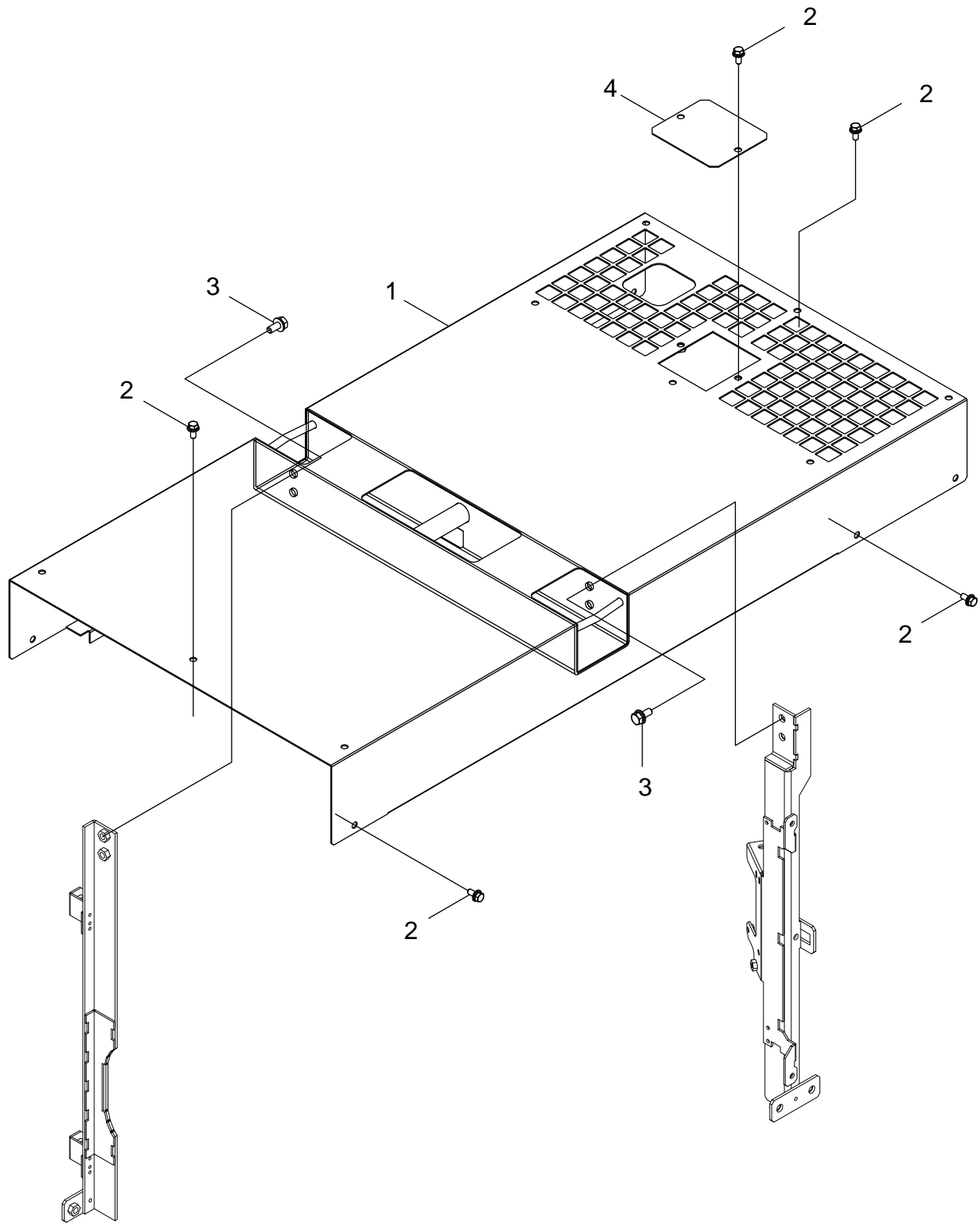
RIGHT ENCLOSURE



## RIGHT ENCLOSURE

NO.	PART NUMBER	QTY.	DESCRIPTION	
1	M409001371	1	DOOR,RIGHT SIDE ENCLOSURE - POWER OUTPUT	
2	J485000280	2	HINGE	
3	V205001260	4	BOLT,M8X15	
4	M472000210	1	COVER	
5	V204001090	9	BOLT,M6X16 FT SW	
6	G257000960	1	STOPPER	
7	V205001170	2	BOLT,M8X20-SPW	
8	M471000871	1	COVER	
9	V420004810	2	CUSHION,T6X8.2X22	
10	V375001020	2	COLLAR,6XL11.5	
11	9103606025	2	BOLT SW,M6X25	
12	V306000390	2	WASHER,M8	
14	C701000420	1	LOCK COVER	
15	V264000220	4	FLANGE NUT,M6 SERRATED	
16	J485000280	2	HINGE	
17	V205001260	4	BOLT,M8X15	
18	9103408040	1	BOLT SW	
19	90060200008	1	WASHER,M8	
20	V265000450	2	NUT,8	
21	M406001930	1	DOOR,RIGHT SIDE ENCLOSURE REAR	D18101000001-D18101000100,DISUSE
<b>21</b>	<b>M407000710</b>	<b>1</b>	<b>DOOR,RIGHT SIDE ENCLOSURE REAR</b>	
22	G128001840	1	+ DUCT,AIR	
23	V264000220	7	+ FLANGE NUT,M6 SERRATED	

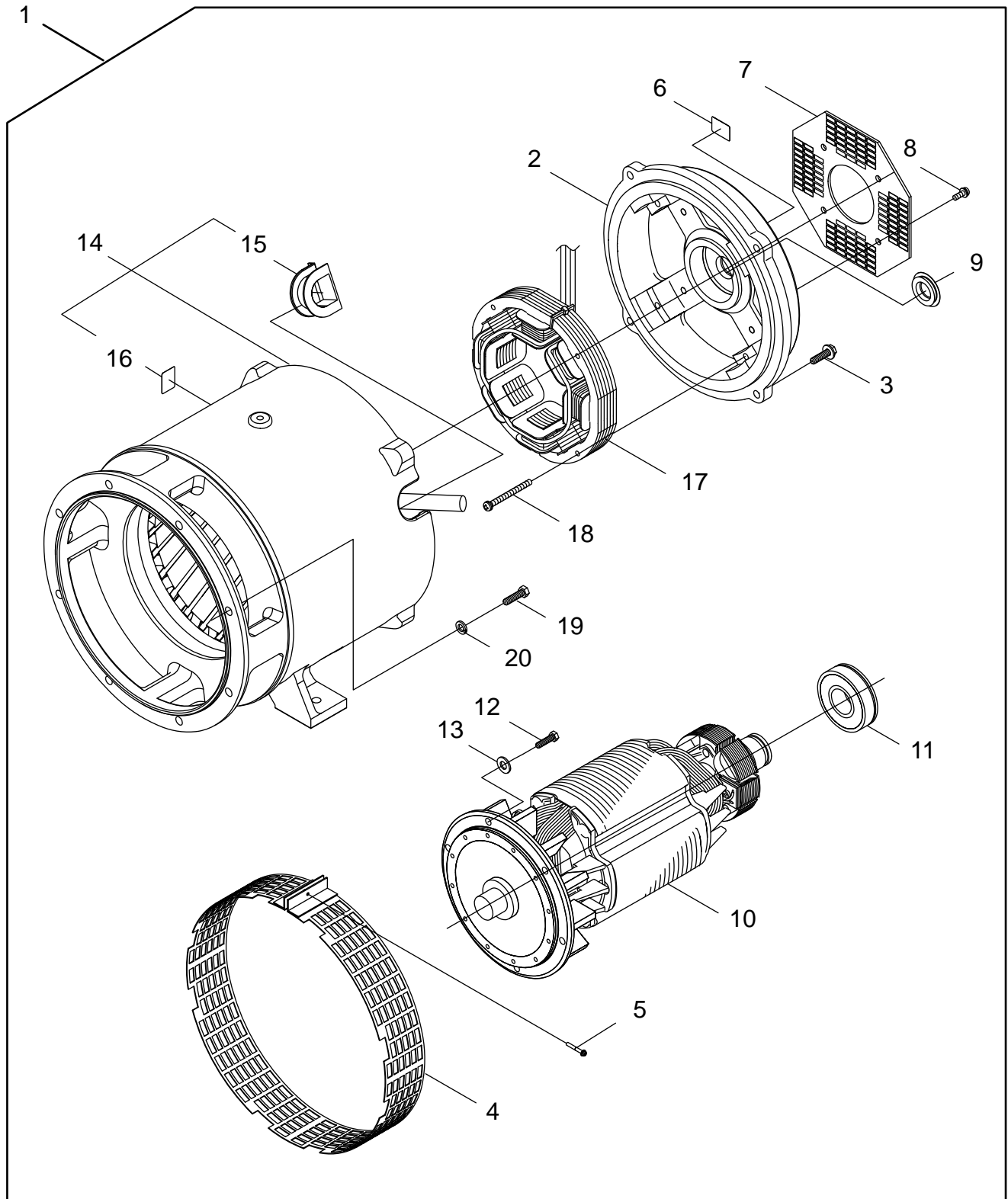
TOP ENCLOSURE



## TOP ENCLOSURE

NO.	PART NUMBER	QTY.	DESCRIPTION	
1	J492002681	1	ENCLOSURE FRAME, TOP	
2	V205001420	17	BOLT, M8X20-SPW	
3	V206000800	4	BOLT, M10X25-SPW	
4	J480001860	1	LID, RADIATOR CAP COVER	

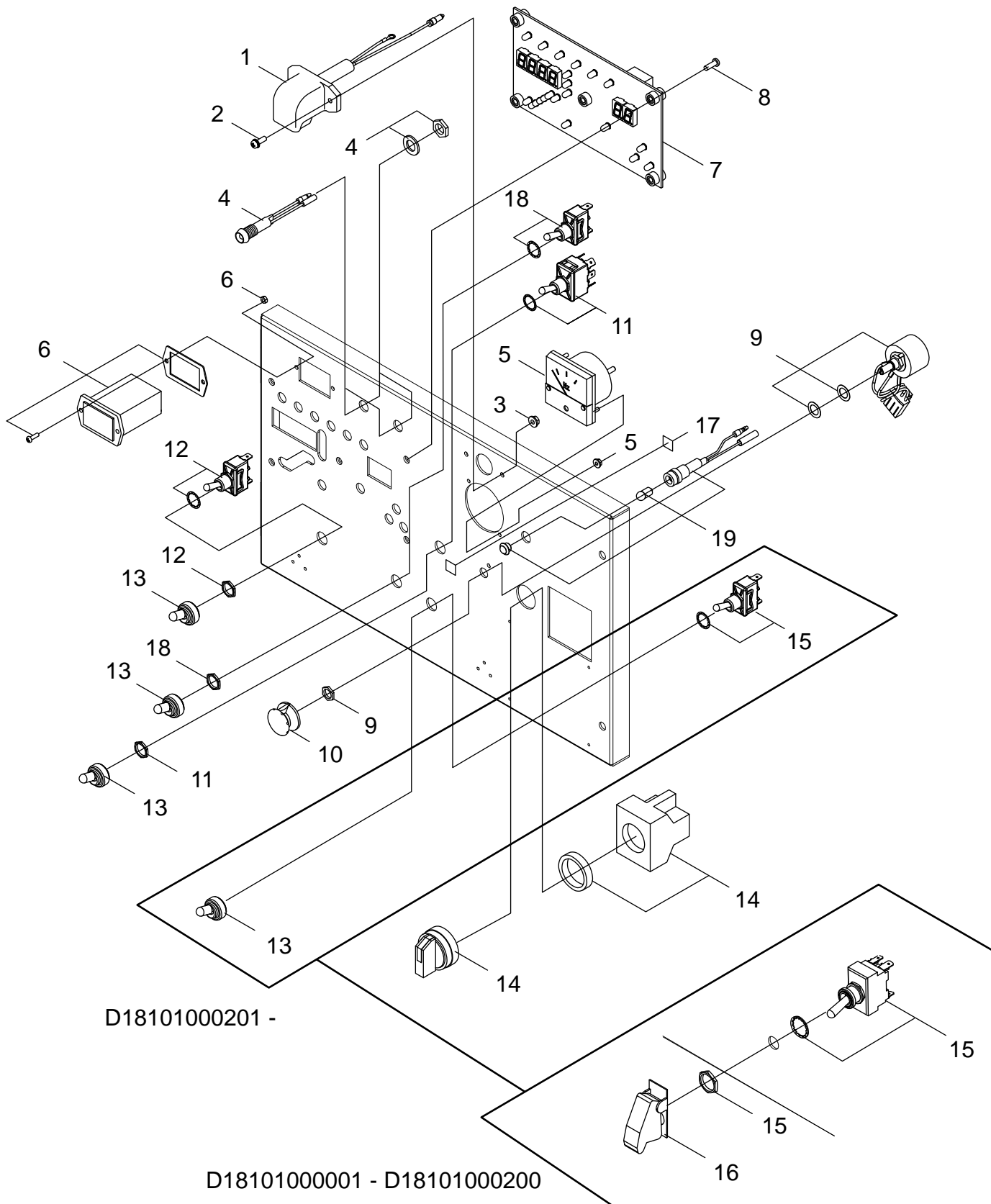
ALTERNATOR



## ALTERNATOR

NO.	PART NUMBER	QTY.	DESCRIPTION	
1	G020000160	1	ALTERNATOR	
2	M305000051	1	+ HOUSING	D18101000031-,SET #9 GROMMET
3	9102210035	4	+ BOLT,M10X35 SW	
4	A172001720	1	+ FAN COVER	
5	9103104030	1	+ BOLT,M4X30 SW	
6	M703000070	1	+ LABEL,THERMOMETER	
7	J470004490	1	+ COVER	
8	9103105012	4	+ BOLT,M5X12 SW	
9	V145000810	1	+ GROMMET,CIRCULAR	D18101000031-
10	M102000721	1	+ ROTOR	
11	V592000170	1	+ BEARING	
12	9102708030	8	+ BOLT,M8X30 8T	
13	90060500008	8	+ WASHER,M8 SPRING	
14	A041000930	1	+ STATOR ASSEMBLY	
15	V144000610	1	++ GROMMET	
16	M703000020	1	++ LABEL THERMOMETER	
17	A041000300	1	+ STATOR,ASM	
18	9156405040	4	+ SCREW,5X40	
19	9102710030	8	+ BOLT,M10X30 8T	
20	90060500010	8	+ WASHER,M10 SPRING	

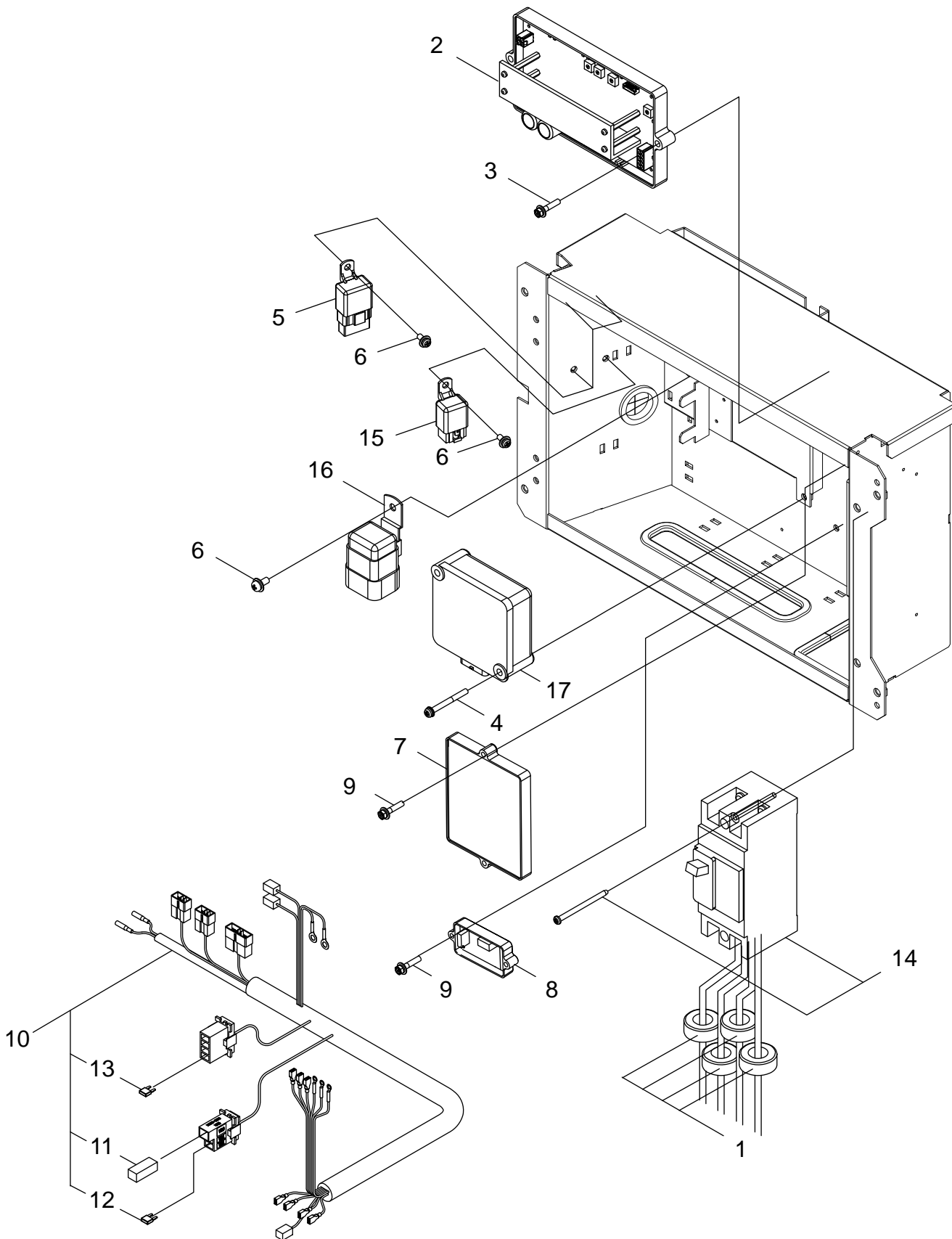
MAIN CONTROL PANEL



## MAIN CONTROL PANEL

NO.	PART NUMBER	QTY.	DESCRIPTION	
1	G327000400	1	LAMP	
2	90023804016	2	SCREW,M4X16	
3	V262000190	2	FLANGE NUT,M4 SERRATED	
4	G327000740	1	LAMP,BD-1001 DC12V	
5	M109000100	1	METER,VOLT 0 - 300V	
6	G319000190	1	METER,HOUR	
7	G370002550	1	UNIT,CONTROL	
8	9146104012	5	SCREW,M4X12	
9	M112000010	1	VOLUME COMP	VOLTAGE REGULATOR
10	E145000060	1	DIAL,VOLUME	
11	A045000761	1	SWITCH,ON OFF	THROTTLE
12	A440001970	1	SWITCH,MOMENTARY TOGGLE	OIL PRESSURE/WATER TEMPERATURE/SPEED SELECTOR
13	V494000910	4	CAP,TOGGLE SWITCH	
14	G334002060	1	SWITCH,AUTO STOP START	STARTER
15	G334001960	1	SWITCH,ACCESSORY	ACCESSORY D18101000001-D18101000200
15	A440003600	1	SWITCH,WD1303F 15A 250VAC ON OFF	ACCESSORY D18101000201-
16	A447000140	1	COVER,SWITCH KNOB	D18101000001-D18101000200
17	M416000040	1	ADHESIVE CABLE TIE MOUNT	
18	A440001970	1	SWITCH,MOMENTARY TOGGLE	DISPLAY SELECTOR
19	1G37764490	1	LAMP(INDICATOR)	

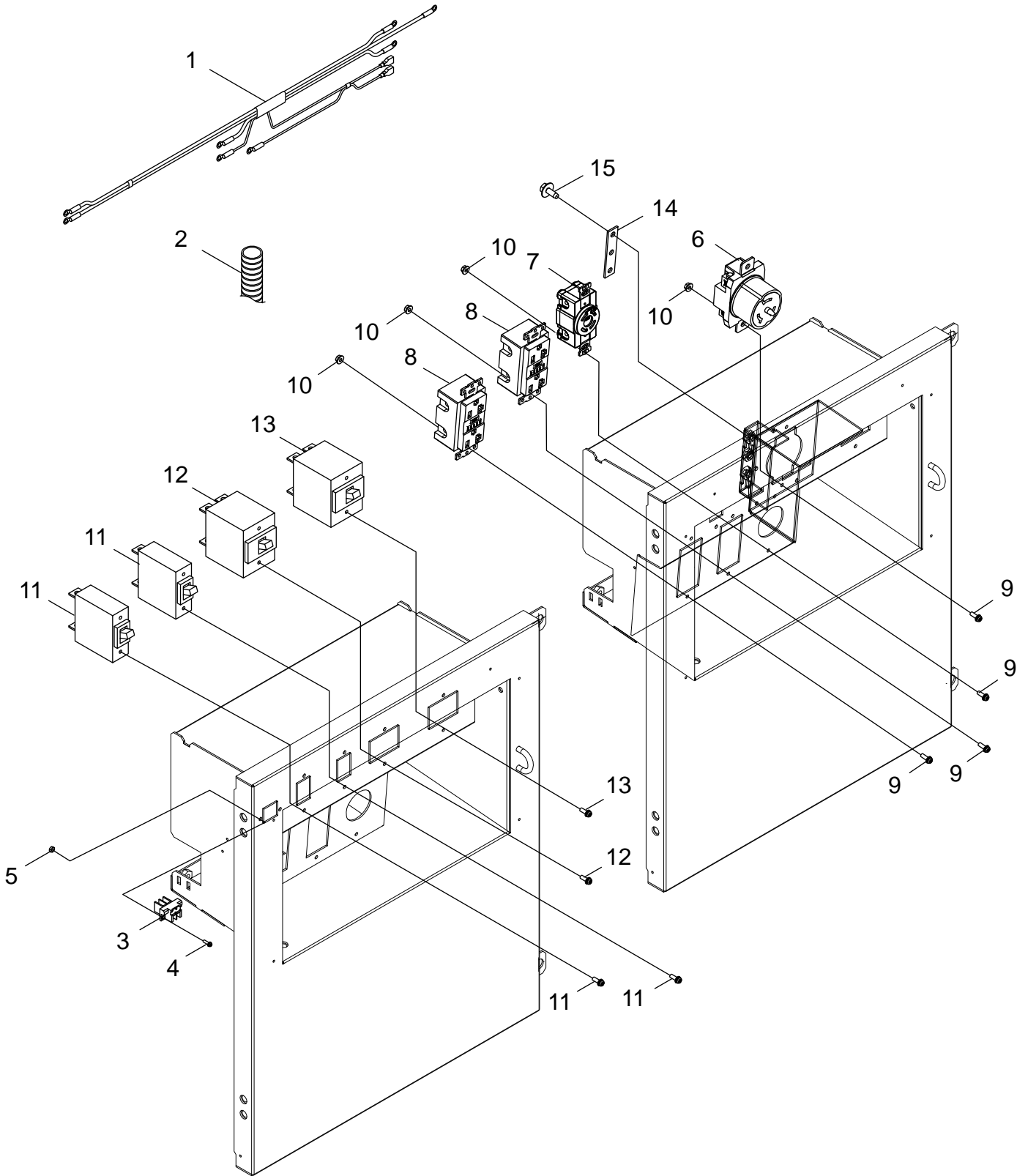
MAIN BREAKER AND CONTROL BOX



## MAIN BREAKER AND CONTROL BOX

NO.	PART NUMBER	QTY.	DESCRIPTION	
1	M108000190	4	CURRENT TRANSFORMER	
2	G370001791	1	UNIT,CONTROL	
3	9103605025	2	BOLT,M5X25 SW	
4	9156405050	2	SCREW SW	
5	G343000490	3	RELAY	
6	9156805012	5	SCREW,M5X12 W/SW	
7	G370003340	1	UNIT,CONTROL	
8	G370002401	1	UNIT,CONTROL DC12V	
9	9103605025	4	BOLT,M5X25 SW	
10	G031005780	1	HARNESS,MAIN WIRE	D18101000001-D18101000200
<b>10</b>	<b>G363001280</b>	<b>1</b>	<b>HARNESS,MAIN WIRE</b>	<b>D18101000201-</b>
11	G350000420	1	+ FUSE	
12	G350000520	2	+ FUSE	
13	G350000410	3	+ FUSE	
14	M111001550	1	BREAKER,SINGLE PHASE 600V	
15	K6888153540	1	RELAYCOMP,STARTER RELAY	
16	RP42153730	1	ASSY RELAY	
17	1K98960605	1	ECU	

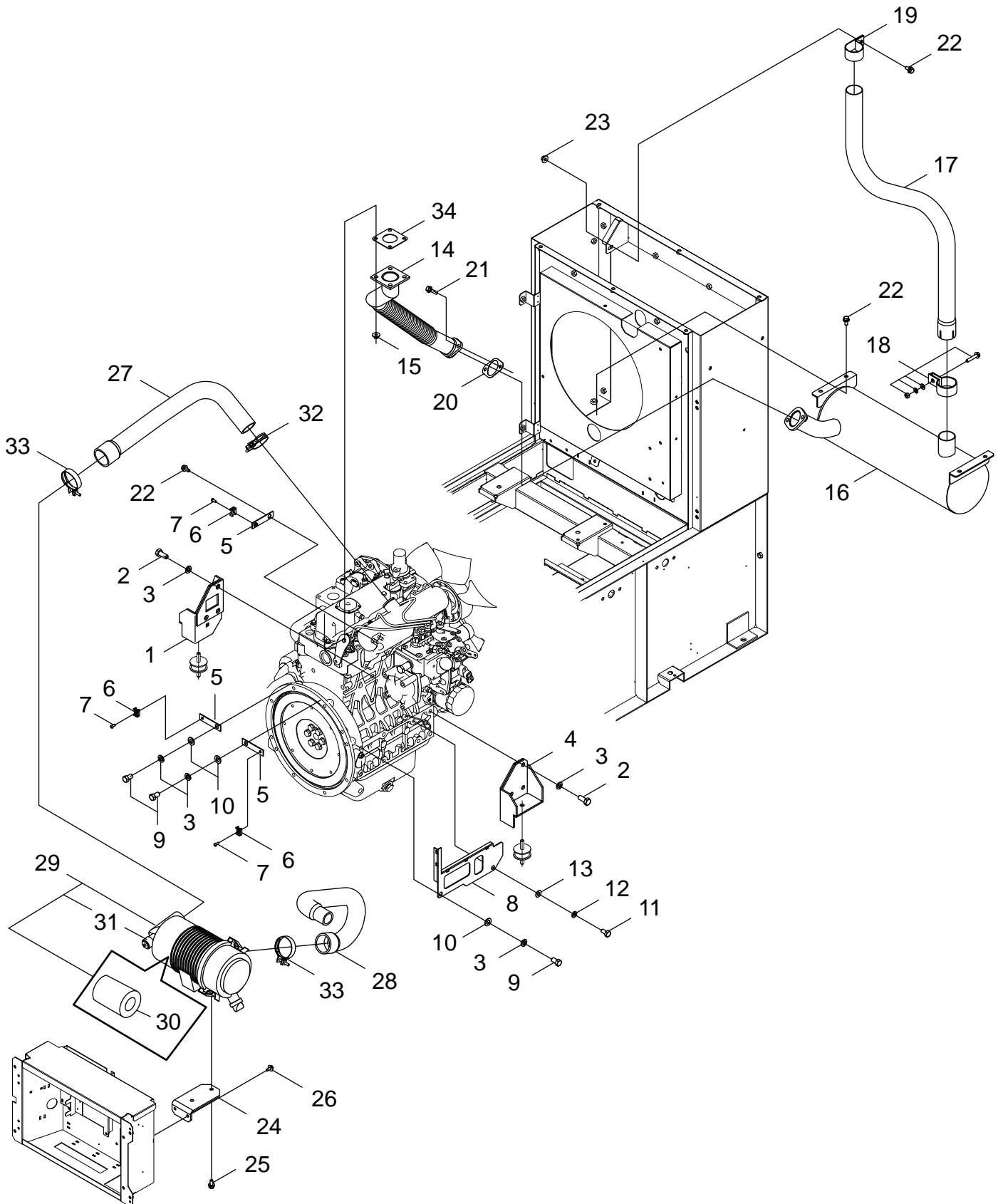
POWER OUTPUT TERMINAL



## POWER OUTPUT TERMINAL

NO.	PART NUMBER	QTY.	DESCRIPTION
1	G031005800	1	HARNESS,SINGLE PHASE POWER OUTPUT BREAKER/OUTLET WIRE
2	V475008350	1	TUBE
3	M308000680	1	BLOCK,TSU-281-2P TERMINAL
4	9156403012	2	SCREW,M3X12 SW
5	V261000010	2	FLANGE NUT,M3 SERRATED
6	C154000170	1	PLUG SOCKET,TWIST LOCK 50A 125/250V
7	C154000180	1	SOCKET,50A 240V TWIST LOCK
8	C154000491	2	RECEPTACLE,GFCI 20A,125V
9	9156404012	8	SCREW,M4X12 SW
10	V262000190	8	FLANGE NUT,M4 SERRATED
11	C137000080	2	CIRCUIT BREAKER,20A
12	C137000090	1	CIRCUIT BREAKER,20A
13	C137000070	1	CIRCUIT BREAKER,50A
14	V150003140	1	PLATE,EYE
15	9103606016	3	BOLT SW

AIR AND MUFFLER ASSEMBLY

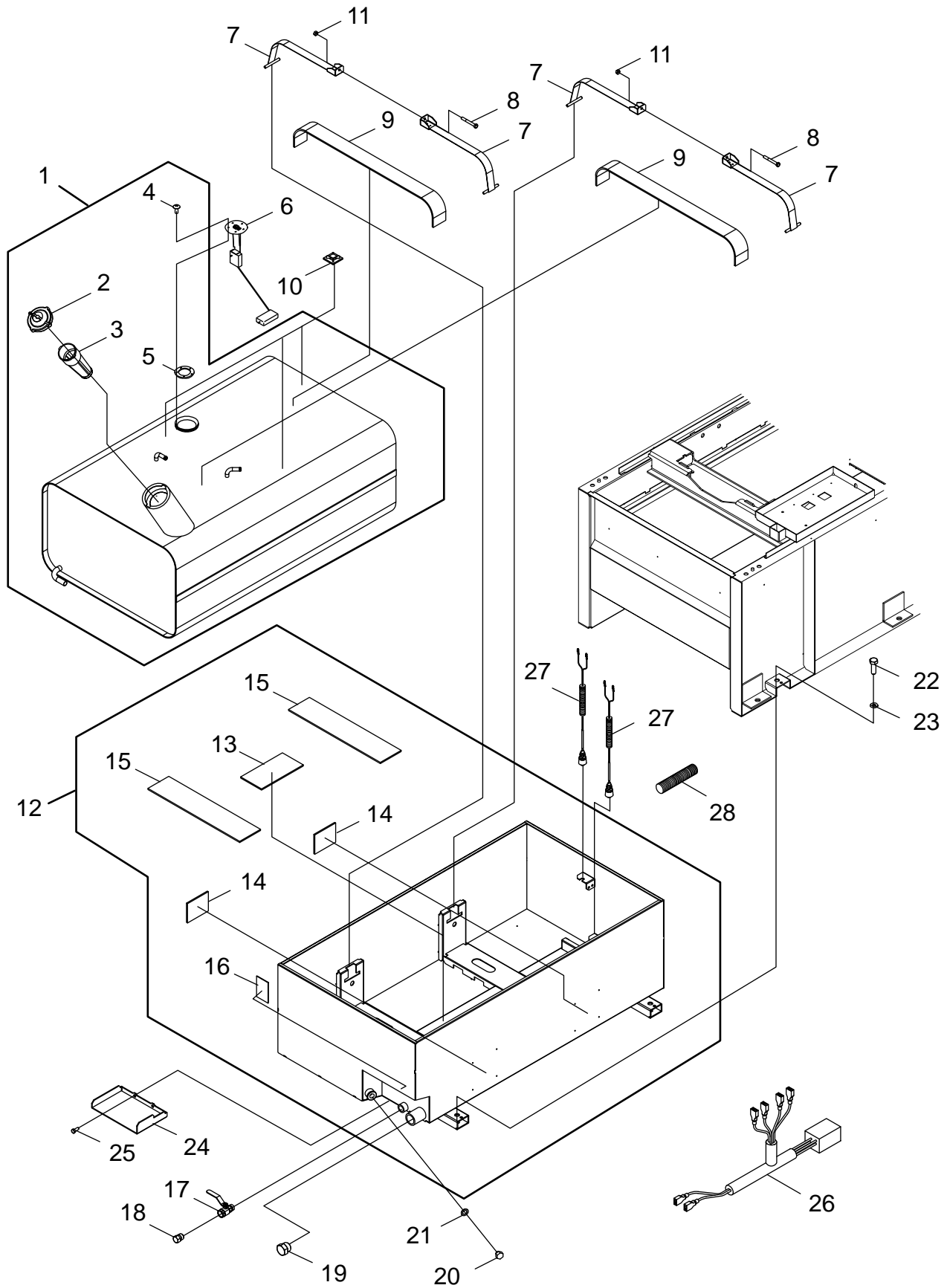


+ Denotes item is part of an assembly  
 ++ Denotes item is part of a sub-assembly

## AIR AND MUFFLER ASSEMBLY

NO.	PART NUMBER	QTY.	DESCRIPTION	
1	G121000260	1	ENGINE MOUNT	
2	9101012030	6	BOLT	
3	90060500012	9	WASHER,M12 SPRING	
4	G121000270	1	ENGINE MOUNT	
5	C519002461	3	BRACKET,GENERATOR HOUSING MOUNTING	
6	M416000010	3	TIE MOUNT	
7	9134305012	3	SCREW,M5X12	
8	C527001140	1	MOUNTING BRACKET	
9	V207000100	3	BOLT	
10	90060200012	3	WASHER	
11	V206000640	1	BOLT,10	
12	90060500010	1	WASHER,M10 SPRING	
13	90061700010	1	WASHER,M10	
14	G231000720	1	PIPE,EXHAUST	
15	V265000290	4	FLANGE NUT,M8 SERRATED	
16	G230000320	1	MUFFLER,EXH	D18101000001-D18101000110
16	G230000700	1	MUFFLER,EXH	D18101000111-
17	G231001470	1	PIPE,EXHAUST	D18101000001-D18101000110
17	G231001530	1	PIPE,EXHAUST	D18101000111-
18	V495002000	1	EXHAUST BAND CLAMP	D18101000001-D18101000110
18	V496000100	1	EXHAUST BAND CLAMP	D18101000111-
19	V495002500	1	EXHAUST BAND CLAMP	D18101000001-D18101000110
19	V495004000	1	EXHAUST BAND CLAMP	D18101000111-
20	V104001740	1	EXHAUST GASKET	
21	90014708030	2	BOLT,M8X30	
22	V205001170	6	BOLT,M8X20-SPW	
23	V265000290	1	FLANGE NUT,M8 SERRATED	
24	G211000411	1	AIR CLEANER MOUNTING BRACKET	
25	V205001170	2	BOLT,M8X20-SPW	
26	V204001090	2	BOLT,M6X16 FT SW	
27	G213000551	1	HOSE,AIR	
28	G213000560	1	HOSE,AIR	
29	<b>1K54311012</b>	<b>1</b>	<b>ASSY CLEANER,AIR</b>	
30	TA04093230	1	+ ASSY ELEMENT,OUTER	
31	1583111090	1	+ ASSY INDICATOR	
32	1526111720	1	CLAMP,PIPE BAND	
33	1540111720	2	CLAMP,PIPE BAND	
34	T007016420	1	GASKET,MUFFLER	

FUEL TANK, OIL CONTAINMENT

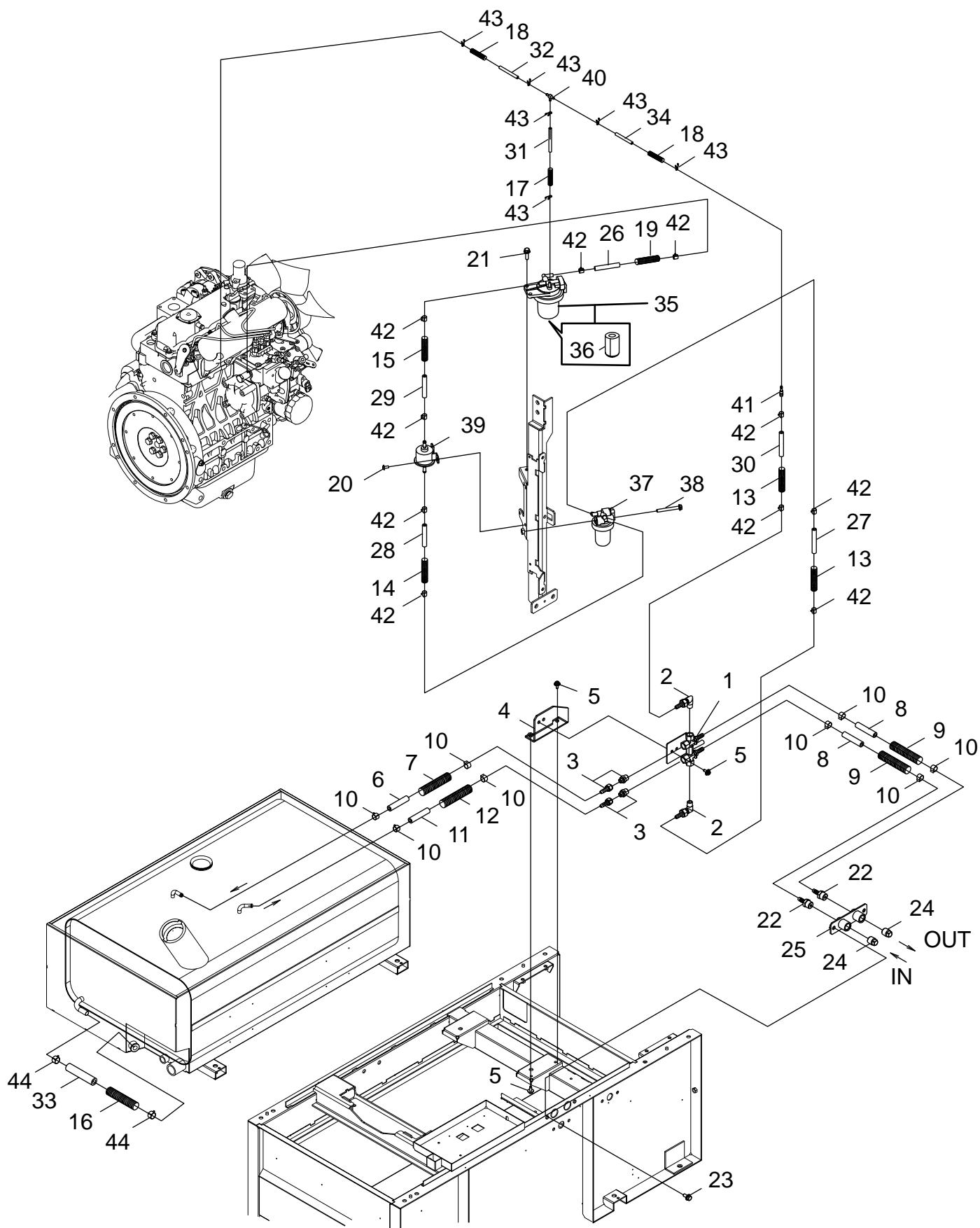


+ Denotes item is part of an assembly  
++ Denotes item is part of a sub-assembly

## FUEL TANK, OIL CONTAINMENT

NO.	PART NUMBER	QTY.	DESCRIPTION
1	<b>G250001230</b>	1	<b>TANK,FUEL</b>
2	G255000010	1	+ TANK CAP
3	A369000160	1	+ STRAINER
4	9156405010	5	+ SCREW,5X10
5	K221000030	1	+ GASKET,FUEL TANK GAUGE
6	E325000460	1	GAUGE,LEVEL
7	A392000250	4	BAND,FUEL TANK MOUNTING
8	9100208080	2	BOLT,M8X80
9	V420003920	2	CUSHION
10	M416000040	3	ADHESIVE CABLE TIE MOUNT
11	V265000290	2	FLANGE NUT,M8 SERRATED
12	<b>J447001841</b>	1	<b>GUARD</b>
13	V420003060	1	+ PAD
14	V420003050	2	+ PAD
15	V420003930	2	+ CUSHION
16	M700000010	1	+ PAD
17	E265000310	1	VALVE,BALL (WITH HANDLE)
18	E328000330	1	PLUG,1/2" DRAIN
19	E328000340	1	DRAIN PLUG
20	E328000140	1	DRAIN PLUG
21	V106000110	1	SEAL WASHER
22	V207000530	4	BOLT,B-12X20
23	V309000220	4	WASHER,W-12 CIRCULAR
24	J447001850	1	GUARD
25	V205001420	2	BOLT,M8X20-SPW
26	G031005790	1	HARNESS,FUEL TANK WIRE
27	G334001360	2	SWITCH
28	V475008070	1	TUBE

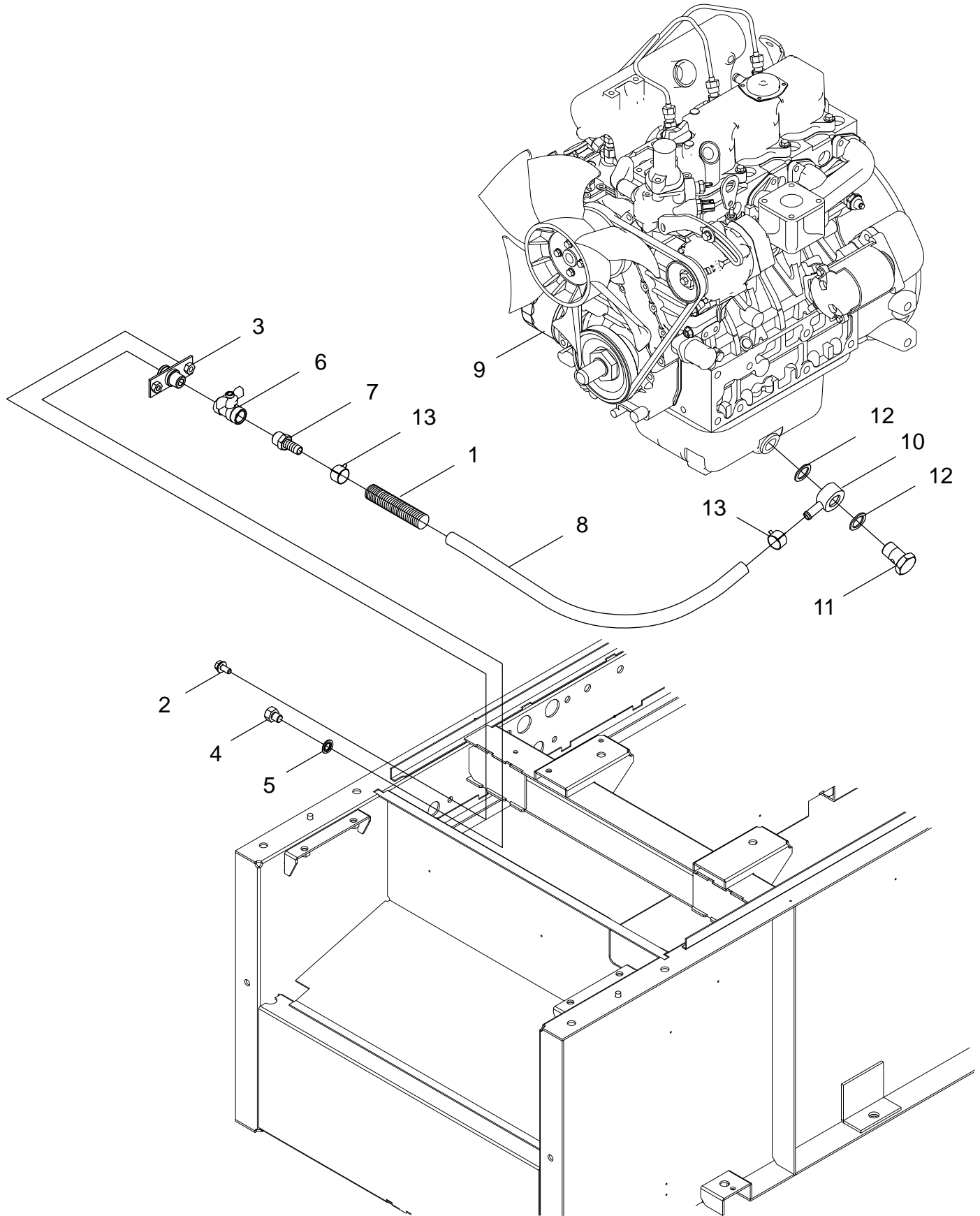
FUEL LINES



## FUEL LINES

NO.	PART NUMBER	QTY.	DESCRIPTION	
1	E265000121	1	VALVE	
2	E237000140	2	ELBOW	
3	V187000290	2	NIPPLE,R3/8 - G3/8 HOSE	
4	C527001130	1	STAY	
5	V204001090	4	BOLT,M6X16 FT SW	
6	K401000870	1	HOSE,9XL430	UNION JOINT - FUEL TANK
7	V475006430	1	TUBE	
8	K401000420	2	HOSE,9X550	3-WAY VALVE - OUTER FUEL INLET/OUTLET
9	V475008360	2	TUBE,19XL500	
10	V495001660	8	HOSE CLAMP	
11	K401000330	1	HOSE,9X16X700	FUEL TANK - UNION JOINT
12	V475005730	1	TUBE,19.5X23.8X630	
13	V475008380	2	TUBE,13XL280	
14	V475008390	1	TUBE,13XL310	
15	V475006250	1	TUBE	
16	V476000460	1	TUBE,22XL200	
17	V476000230	1	TUBE	
18	V475008400	2	TUBE,10XL140	
19	V475006260	1	TUBE	
20	90021606014	2	SCREW,M6X14	
21	90014708030	2	BOLT,M8X30	
22	V187000110	2	NIPPLE,G1/2 HOSE	
23	V205001420	2	BOLT,M8X20-SPW	
24	E328000110	2	DRAIN PLUG	
25	C153000560	1	SOCKET,G1/2 - G1/2	
26	966170380	1	TUBE,7.3X12.5X150	FUEL FILTER - ENGINE
27	966170320	1	FUEL TUBE,7.3X12.5X320	3-WAY VALVE - WATER SEDIMENTOR
28	966170360	1	TUBE,7.3X12.5X360	WATER SEDIMENTOR - MAGNET PUMP
29	966170280	1	FUEL TUBE,7.3X12.5X280	MAGNET PUMP - FUEL FILTER
30	966170300	1	FUEL TUBE,7.3X12.5X300	JOINT PIPE - 3-WAY VALVE
31	966140260	1	FUEL TUBE,4X8X260	T-JOINT - FUEL FILTER
32	966140180	1	FUEL TUBE,4X8X180	ENGINE - T-JOINT
33	1G31533210	1	OIL DRAIN PIPE,4X48X40	FUEL TANK - FUEL DRAIN
34	966140180	1	FUEL TUBE,4X8X180	T-JOINT - JOINT PIPE
35	1707643015	1	FUEL FILTER ASSEMBLY	
36	1552143160	1	+ ELEMENT,FILTER	
37	1G38143350	1	FUEL SEPARATOR FILTER ASSY	
38	175450865	1	BOLT,FLANGE	
39	1G37752030	1	FUEL PUMP	
40	1G06542360	1	TEE JOINT	
41	1749042360	1	JOINT,PIPE	
42	1491142751	10	PIPE CLIP	
43	1497142750	6	PIPE CLIP	
44	931888185	2	HOSE CLAMP	

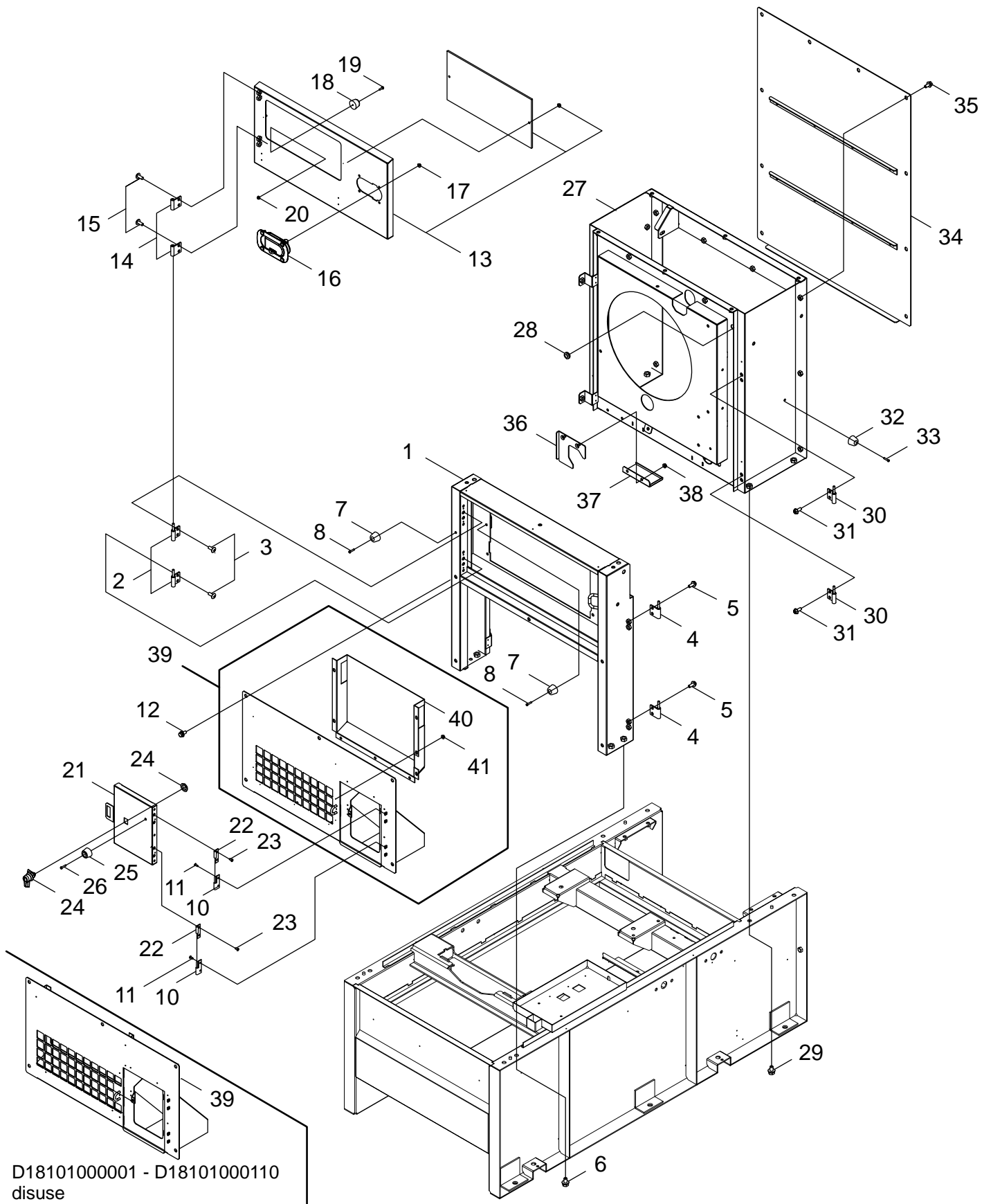
OIL LINES



## OIL LINES

NO.	PART NUMBER	QTY.	DESCRIPTION	
1	V476001010	1	TUBE,22XL450	
2	V205001420	2	BOLT,M8X20-SPW	
3	C153000540	1	DRAIN SOCKET	
4	E328000311	1	PLUG,DRAIN	
5	V106000190	1	GASKET,CIRCULAR	
6	E265000290	1	VALVE,BALL	
7	V187000090	1	NIPPLE,PT1/2- φ 14	
8	1714733210	1	OIL DRAIN HOSE,13X20X500	ENGINE - OIL DRAIN
9	HH16432430	1	OIL FILTER CARTRIDGE	
10	1724833342	1	OIL PIPE JOINT	
11	1724833450	1	BOLT,CONNECTING	
12	K0471702200	2	WASHER,SEAL	
13	931888185	2	HOSE CLAMP	

ENCLOSURE FRAME

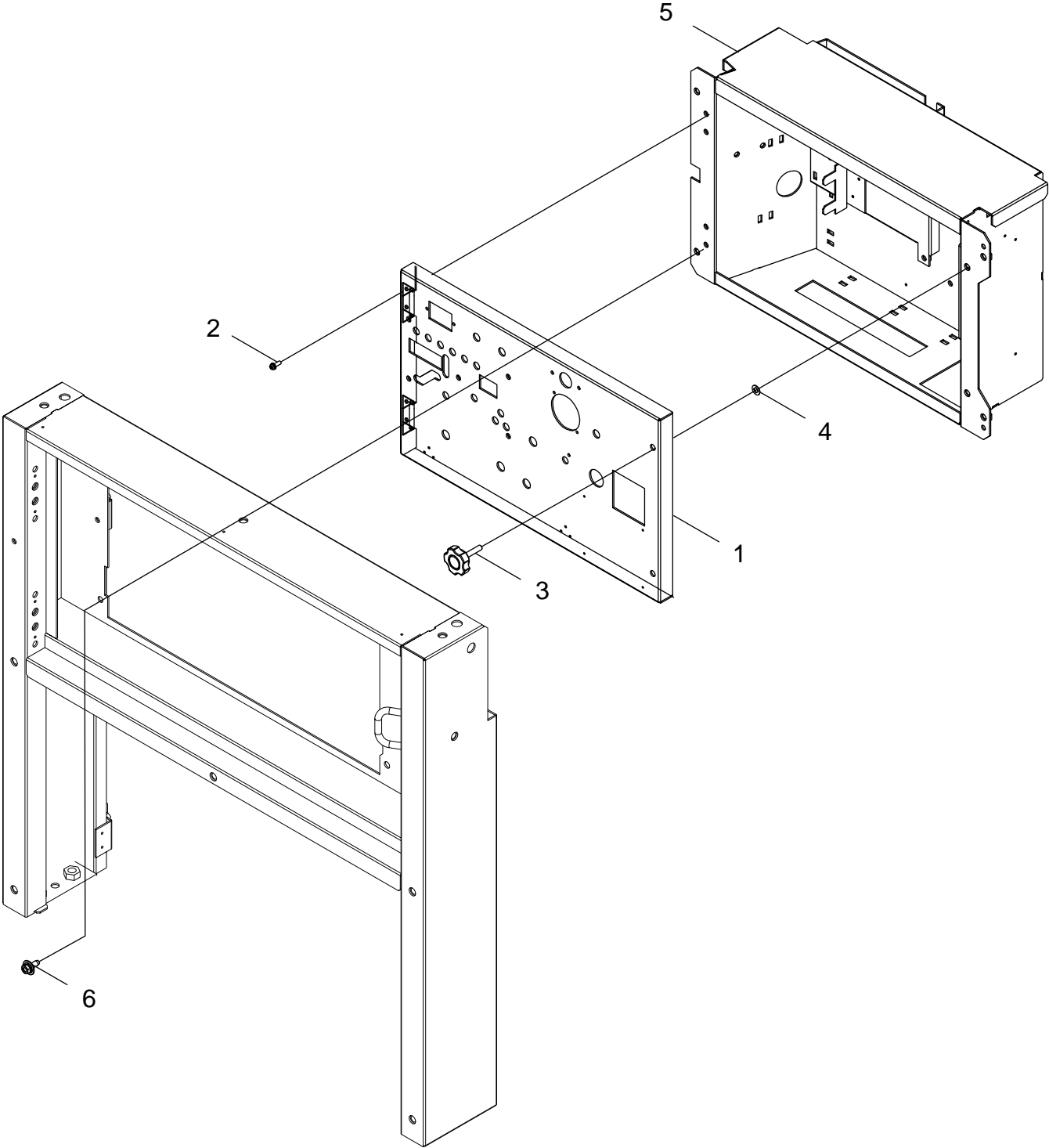


D1810100001 - D18101000110  
disuse

## ENCLOSURE FRAME

NO.	PART NUMBER	QTY.	DESCRIPTION	
1	J493000960	1	ENCLOSURE FRAME (FRONT)	
2	J485000250	2	HINGE	
3	9131808020	4	SCREW TRUSS	
4	J485000250	2	HINGE	
5	V205001260	4	BOLT,M8X15	
6	9103410020	4	BOLT SPW	
7	V420003070	2	STAND,RUBBER	
8	9138104020	2	SCREW,4X20 TAPPING	
10	J485000310	2	HINGE	
11	9144704012	4	SCREW,4X12 TAPPING	
12	V205001420	5	BOLT,M8X20-SPW	
13	M040000760	1	FRONT DOOR,ASM	
14	J485000280	2	HINGE	
15	9131808020	4	SCREW TRUSS	
16	C701000420	1	LOCK COVER	
17	V264000220	4	FLANGE NUT,M6 SERRATED	
18	V420003070	1	STAND,RUBBER	
19	9146104014	1	SCREW,4X14	
20	V262000190	1	FLANGE NUT,M4 SERRATED	
21	M471000190	1	FUEL FILL COVER	
22	J485000330	2	HINGE	
23	9144704012	4	SCREW,4X12 TAPPING	
24	C701001110	1	HANDLE,C319A2	
25	V420003070	1	STAND,RUBBER	
26	9138104020	1	SCREW,4X20 TAPPING	
27	J493000970	1	ENCLOSURE FRAME (REAR)	
28	V144000440	1	GROMMET	
29	9103410020	4	BOLT SPW	
30	J485000260	2	HINGE	
31	V205001260	4	BOLT,M8X15	
32	V420003070	1	STAND,RUBBER	
33	9138104020	1	SCREW,4X20 TAPPING	
34	M415001230	1	REAR ENCLOSURE FRAME COVER	
35	V205001420	10	BOLT,M8X20-SPW	
36	A301000050	1	PLATE,MUFFLER	
37	G233000520	1	COVER,MUFFLER	
38	V264000220	2	FLANGE NUT,M6 SERRATED	
39	J500002090	1	FRONT ENCLOSURE FRAME LOWER PANEL	D18101000001-D18101000110,DISUSE
<b>39</b>	<b>J503000410</b>	<b>1</b>	<b>FRONT ENCLOSURE FRAME LOWER PANEL</b>	
40	G129000150	1	+ DUCT,AIR	
41	V264000220	8	+ FLANGE NUT,M6 SERRATED	

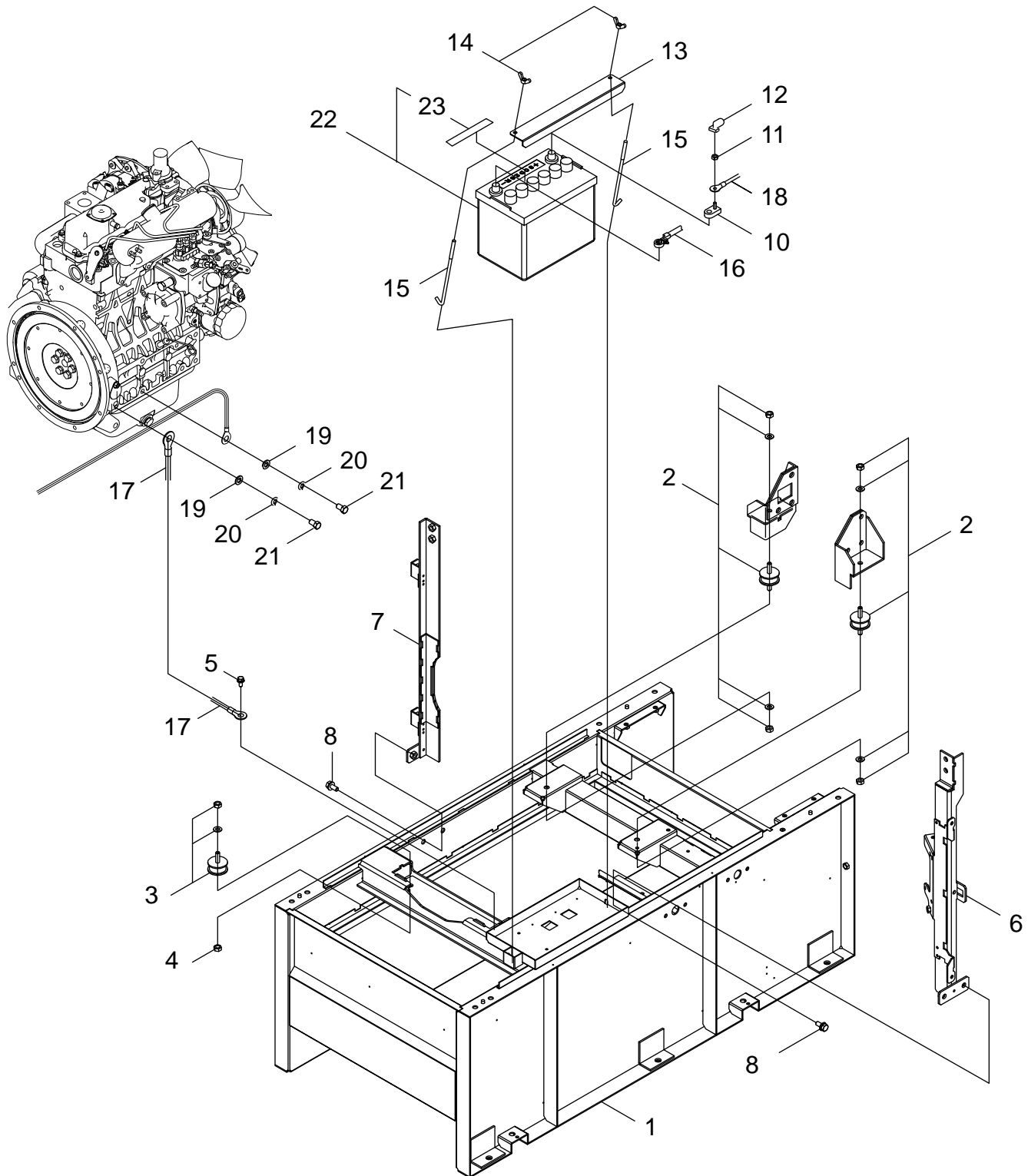
FRONT ENCLOSURE



## FRONT ENCLOSURE

NO.	PART NUMBER	QTY.	DESCRIPTION	
1	C165000310	1	OPERATION PANEL	D18101000001-D18101000200
1	C165000760	1	OPERATION PANEL	D18101000201-
2	9156604012	4	SCREW,M4X12 W/SW BLACK	
3	M613000020	2	OPERATION PANEL ACCESS KNOB	
4	V583000230	2	RING,U	
5	J431000080	1	CONTROL BOX	
6	V204001090	4	BOLT,M6X16 FT SW	

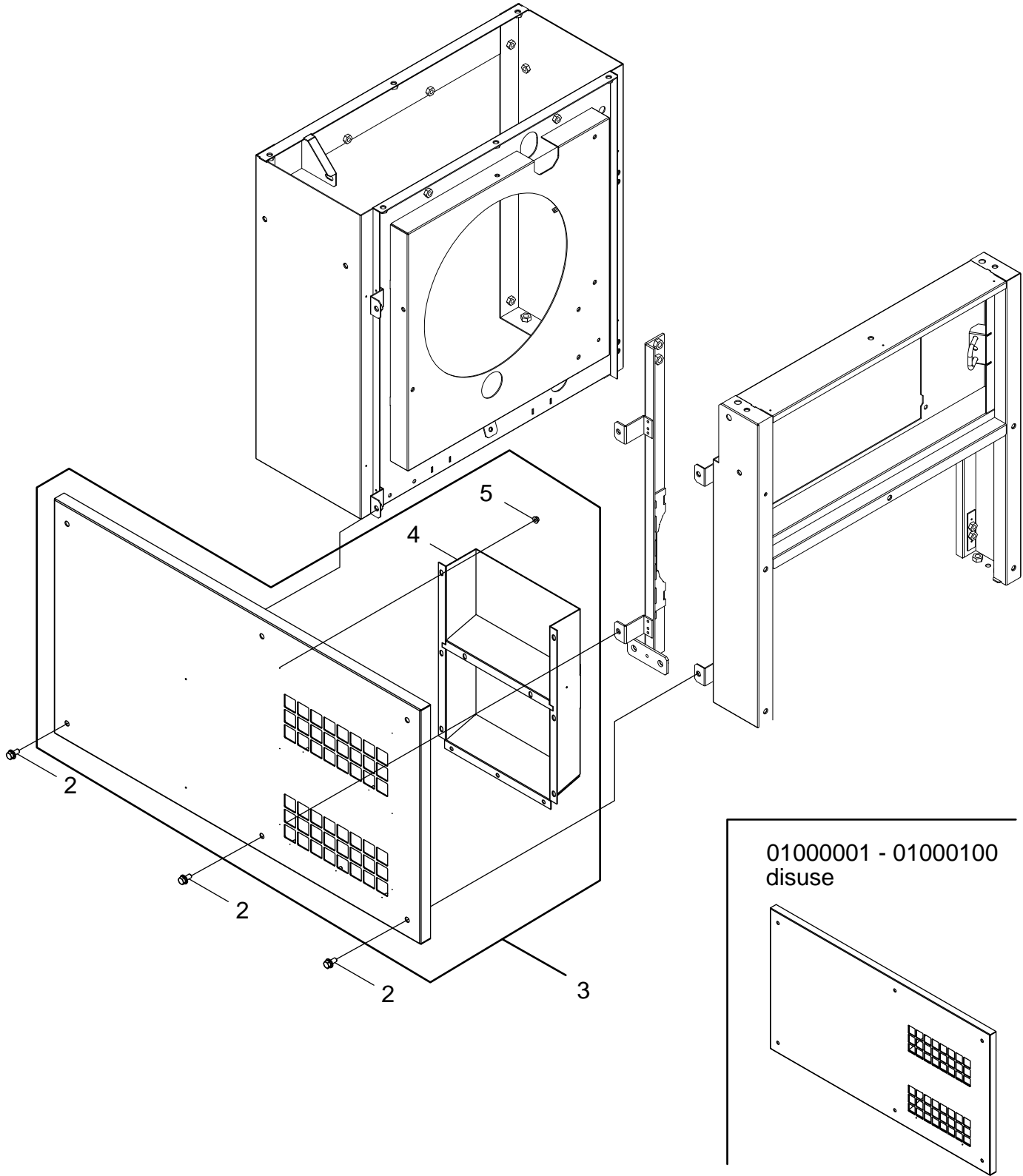
BASE FRAME



## BASE FRAME

NO.	PART NUMBER	QTY.	DESCRIPTION
1	J404001331	1	BASE FRAME
2	V404000140	2	MOTOR MOUNT RUBBER ISOLATOR ASSY
3	V404000240	2	CUSHION,10
4	V266000120	2	NUT,FLANGE
5	V205001170	1	BOLT,M8X20-SPW
6	J415000930	1	ENCLOSURE FRAME ASSEMBLY BRACKET (RIGHT SIDE)
7	J415000941	1	ENCLOSURE FRAME ASSEMBLY BRACKET (LEFT SIDE)
8	V206000800	4	BOLT,M10X25-SPW
10	V486000240	1	TERMINAL
11	V265000310	1	NUT,M8
12	G305000030	1	TERMINAL CAP (RED)
13	G303000480	1	BATTERY HOLD-DOWN
14	9219008000	2	NUT,M8 WING
15	V240000240	2	BOLT,HOOK
16	M384000010	1	LEAD
17	M384000020	1	LEAD
18	M384000031	1	LEAD
19	90060200012	2	WASHER
20	90060500012	2	WASHER,M12 SPRING
21	V207000100	2	BOLT
22	V046000210	1	BATTERY,ASM
23	X505010410	1	+ LABEL,PROPOSITION65/BATTERIES CAUTION

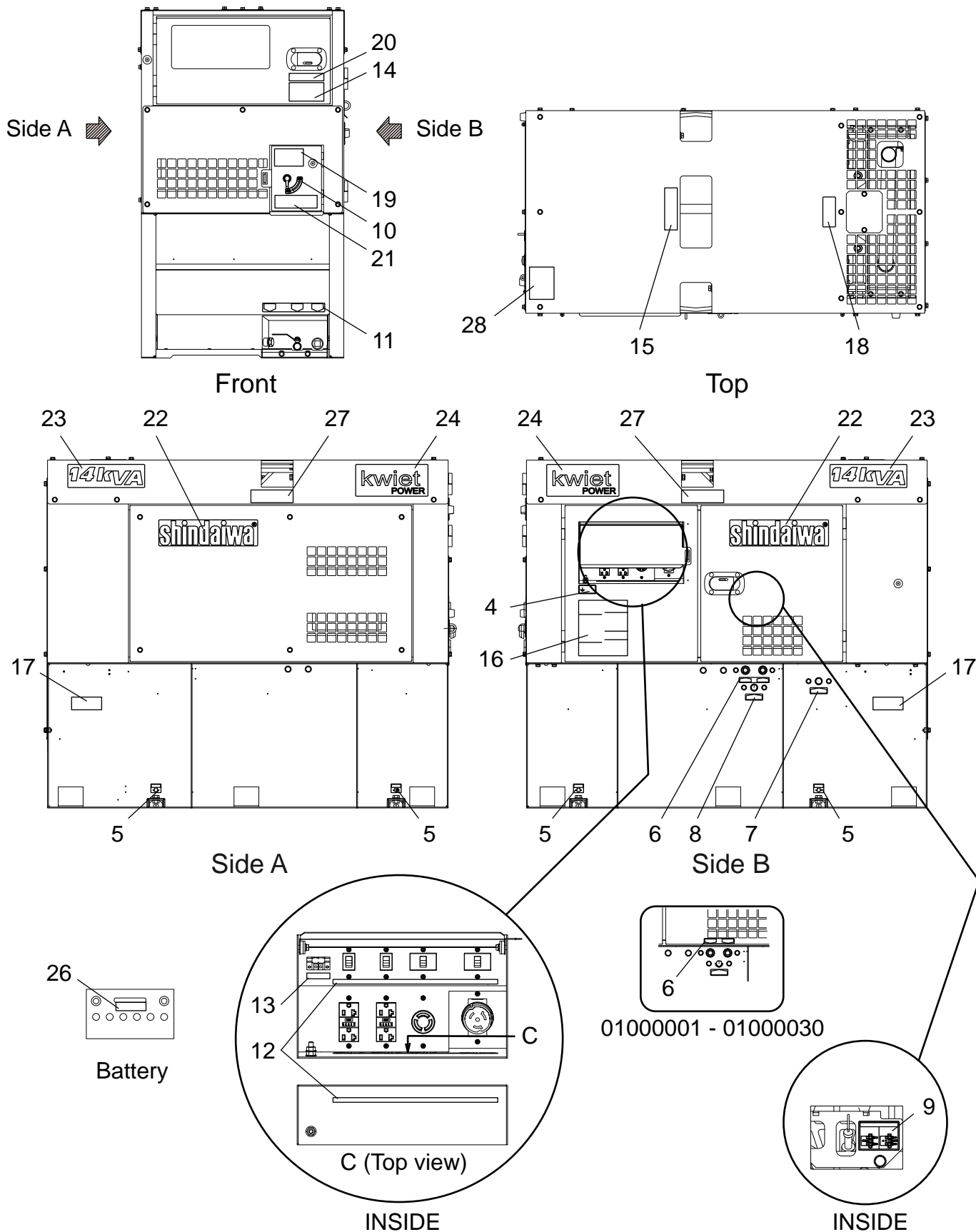
LEFT ENCLOSURE



## LEFT ENCLOSURE

NO.	PART NUMBER	QTY.	DESCRIPTION	
2	V205001420	6	BOLT,M8X20-SPW	
3	J500001920	1	LEFT ENCLOSURE PANEL	D18101000001-D18101000100,DISUSE
3	J500003310	1	LEFT ENCLOSURE PANEL	
4	G128001870	1	+ DUCT,AIR	
5	V264000220	11	+ FLANGE NUT,M6 SERRATED	

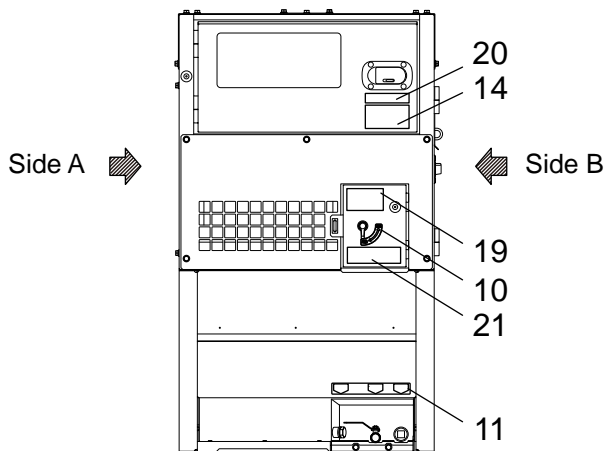
SHINDAIWA LABELS



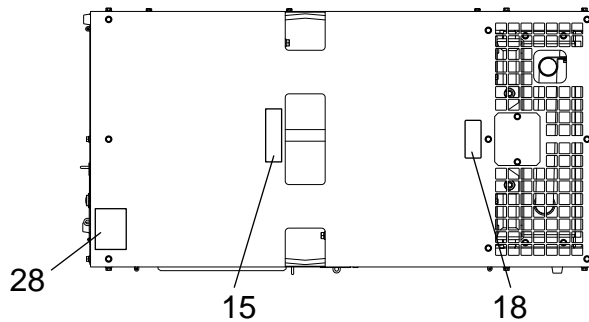
## SHINDAIWA LABELS

NO.	PART NUMBER	QTY.	DESCRIPTION	
4	M704001400	1	LABEL,INST	
5	M707000380	4	LABEL,INST	
6	M707000770	1	LABEL,INST	D18101000001-D18101000030
6	M709000120	1	LABEL,INST	D18101000031-
7	M707000790	1	LABEL,OIL DRAIN INST	
8	M707000800	1	LABEL,WATER DRAIN INST	
9	M707000810	1	LABEL,INST	
10	M707000830	1	LABEL,OPEN-CLOSE INST	
11	M709000030	1	LABEL,INST	
12	M709000040	1	LABEL,INST	
13	M704003260	1	LABEL,REMOTE START INST.	
14	X505010400	1	LABEL,PROPOSITION65/OPERATING CAUTION	
15	X505007550	1	LABEL,WARNING:INJURY CAUTION	
16	X505010910	1	LABEL,CAUTION/WARNING	
17	X505007830	2	LABEL,CAUTION	
18	X505007840	1	LABEL,CAUTION:GM SPEC LLC	
19	X505008400	1	LABEL,EPA REGULATION C CAUTION	
20	X505010800	1	LABEL,CAUTION:THIS MACHICE STARTS	
21	X505007650	1	LABEL,WARNING/FIRE CAUTION	
22	X504006320	2	LABEL,SHINDAIWA BRAND	
23	X524007210	2	LABEL	
24	M705001070	2	LABEL,KWIET POWER FEATURE	
26	X505010410	1	LABEL,PROPOSITION65/BATTERIES CAUTION	
27	X505010920	2	LABEL,CAUTION: NO FORKS	
28	X505011430	1	LABEL,DANGER:CARBON MONOXIDE POISONING	

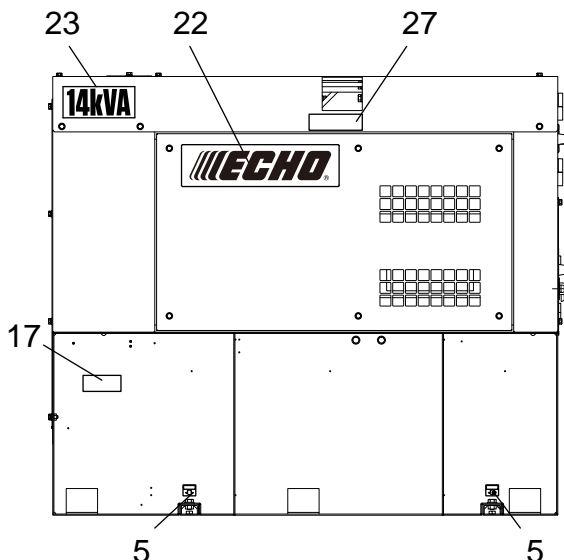
ECHO LABELS



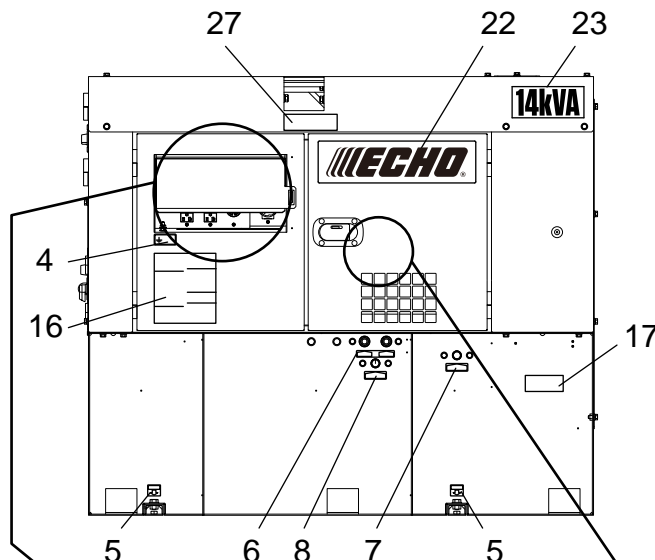
Front



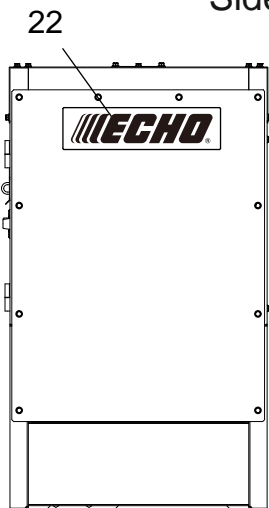
Top



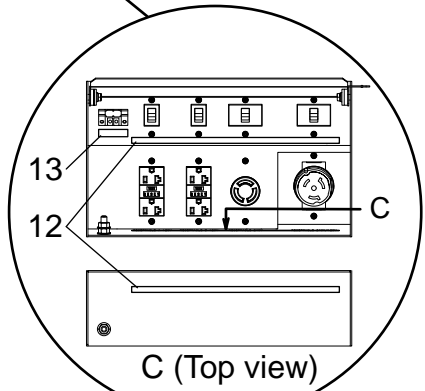
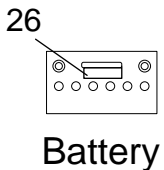
Side A



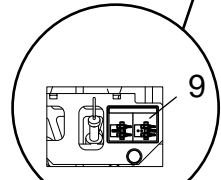
Side B



Rear



(inside)

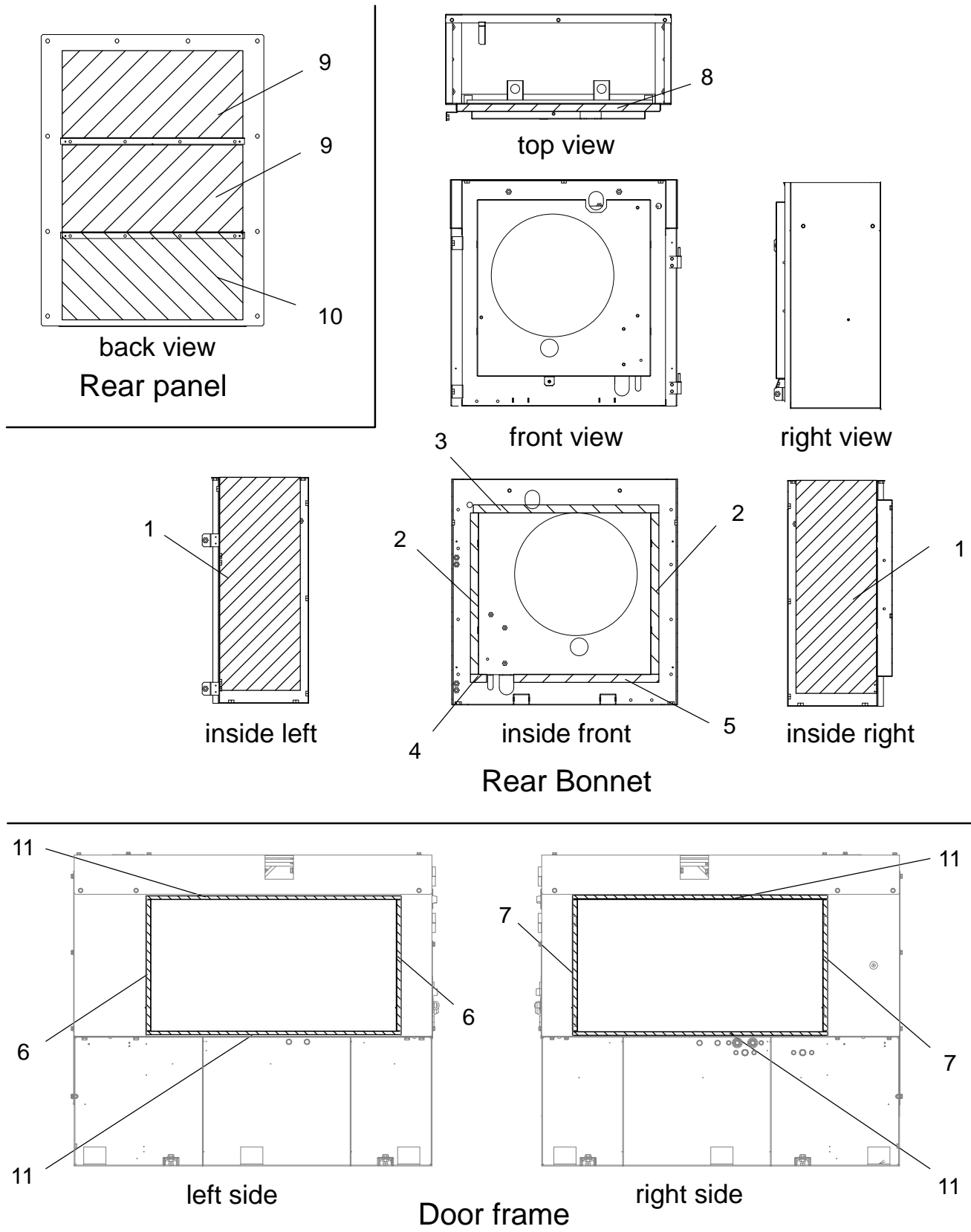


(inside)

## ECHO LABELS

NO.	PART NUMBER	QTY.	DESCRIPTION
4	M704001400	1	LABEL,INST
5	M707000380	4	LABEL,INST
6	M709000120	1	LABEL,INST
7	M707000790	1	LABEL,OIL DRAIN INST
8	M707000800	1	LABEL,WATER DRAIN INST
9	M707000810	1	LABEL,INST
10	M707000830	1	LABEL,OPEN-CLOSE INST
11	M709000030	1	LABEL,INST
12	M709000040	1	LABEL,INST
13	M704003260	1	LABEL,REMOTE START INST.
14	X505010400	1	LABEL,PROPOSITION65/OPERATING CAUTION
15	X505007550	1	LABEL,WARNING:INJURY CAUTION
16	X505010910	1	LABEL,CAUTION/WARNING
17	X505007830	2	LABEL,CAUTION
18	X505007840	1	LABEL,CAUTION:GM SPEC LLC
19	X505008400	1	LABEL,EPA REGULATION C CAUTION
20	X505010800	1	LABEL,CAUTION:THIS MACHICE STARTS
21	X505007650	1	LABEL,WARNING/FIRE CAUTION
22	X502001500	3	LABEL, ECHO
23	X586000230	2	LABEL
26	X505010410	1	LABEL,PROPOSITION65/BATTERIES CAUTION
27	X505010920	2	LABEL,CAUTION: NO FORKS
28	X505011430	1	LABEL,DANGER:CARBON MONOXIDE POISONING

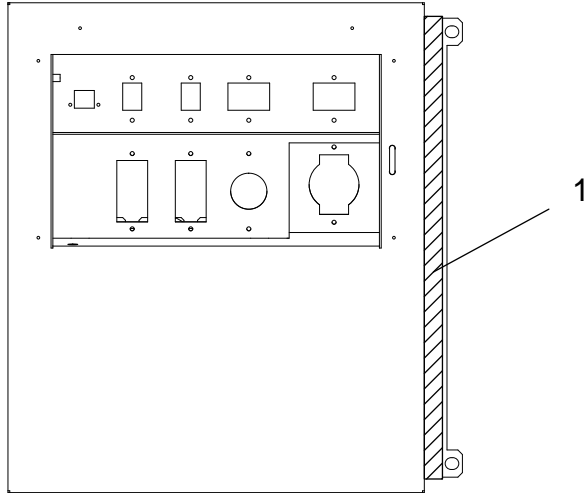
REAR FRAME ENCLOSURE INSULATION



## REAR FRAME ENCLOSURE INSULATION

NO.	PART NUMBER	QTY.	DESCRIPTION	
1	V413000400	2	INSULATION,T20X175X500 REAR ENCLOSURE FRAME PANEL	REAR BONNET
2	V418000190	2	INSULATION,T25X25X500 REAR ENCLOSURE FRAME PANEL	REAR BONNET
3	V418000220	1	INSULATION,T10X25X575 REAR ENCLOSURE FRAME PANEL	REAR BONNET
4	V418000210	1	INSULATION,T10X25X50 REAR ENCLOSURE FRAME PANEL	REAR BONNET
5	V418000200	1	INSULATION,T10X25X450 REAR ENCLOSURE FRAME PANEL	REAR BONNET
6	J414002380	2	SEAL,T3 10X20X510 REAR ENCLOSURE FRAME	DOOR FRAME :LEFT SIDE
7	V541000860	2	SEAL,T15X10X510 REAR ENCLOSURE FRAME	DOOR FRAME :RIGHT SIDE
8	V542000530	1	SEAL,T1.5X23X630 REAR ENCLOSURE FRAME	REAR BONNET
9	V413000410	2	INSULATION,T20X270X560 REAR WINDOW	PEAR PANEL
10	A322000260	1	INSULATOR,T20X270X560 MUFFLER	PEAR PANEL
11	J414002510	4	SEAL,T10X20X985 ENCLOSURE FRAME DOOR FRAME	DOOR FRAME

REAR ENCLOSURE FRAME DOOR INSULATION

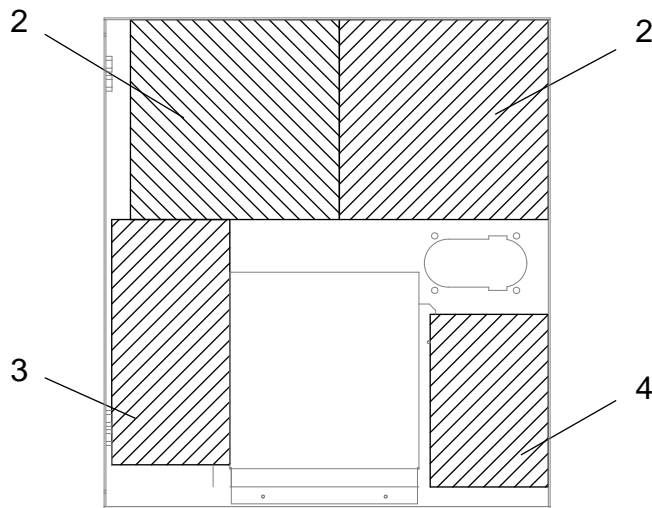


front view

Front door

---

D1810100001 - D18101000100



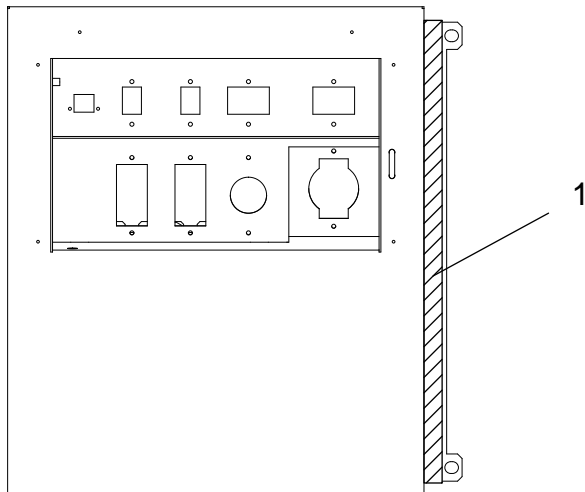
back view

Rear door

## REAR ENCLOSURE FRAME DOOR INSULATION

NO.	PART NUMBER	QTY.	DESCRIPTION	
1	J414002380	1	SEAL,T3 10X20X510 REAR ENCLOSURE FRAME	FRONT DOOR
2	V418000260	2	INSULATION,T20X220X230 REAR DOOR	REAR DOOR
3	V415000040	1	INSULATION,T20X130X270 REAR DOOR	REAR DOOR
4	V415000050	1	INSULATION,T20X130X190 REAR DOOR	REAR DOOR

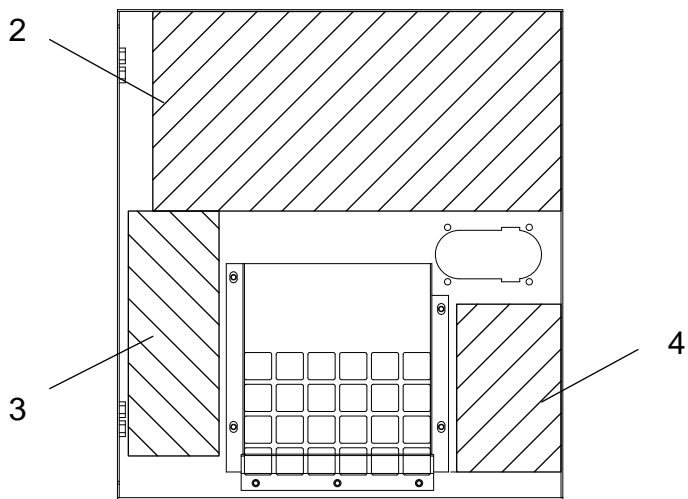
REAR ENCLOSURE FRAME DOOR AND DUCT INSULATION



front view

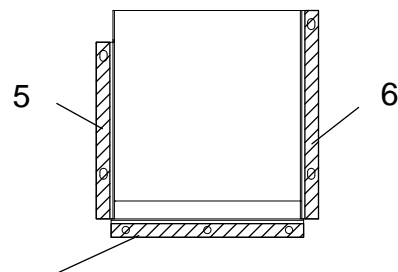
Front door

D18101000101 -



back view

Rear door



back view

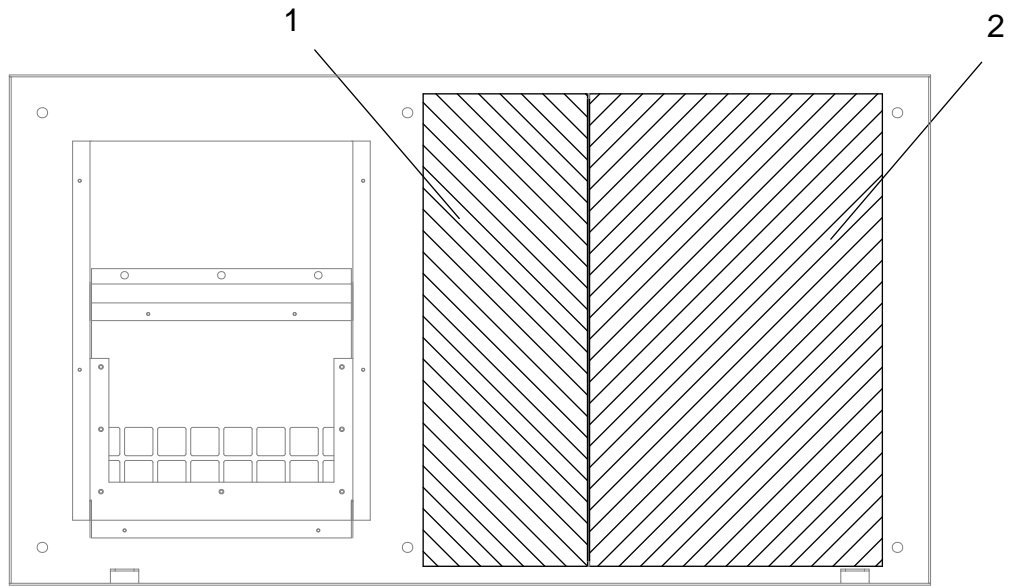
Airduct : rear door

## REAR ENCLOSURE FRAME DOOR AND DUCT INSULATION

NO.	PART NUMBER	QTY.	DESCRIPTION	
1	J414002380	1	SEAL,T3 10X20X510 REAR ENCLOSURE FRAME	FRONT DOOR
2	V411000430	2	INSULATION,T20X220X450 REAR DOOR	REAR DOOR
3	V410000040	1	INSULATION,T20X100X270 REAR DOOR	REAR DOOR
4	V417000100	1	INSULATION,T20X115X185 REAR DOOR	REAR DOOR
5	V542000540	1	SEAL,T1.5X15X190 REAR DOOR AIR DUCT	AIR DUCT :REAR DOOR
6	J481000600	1	SEAL,T1.5X15X225 REAR DOOR AIR DUCT COVER	AIR DUCT :REAR DOOR
7	J481000610	1	RIGHT AIR DUCT,T1.5X15X210 COVER SEAL	AIR DUCT :REAR DOOR

LEFT ENCLOSURE PANEL INSULATION

D18101000001 - D18101000100



back view

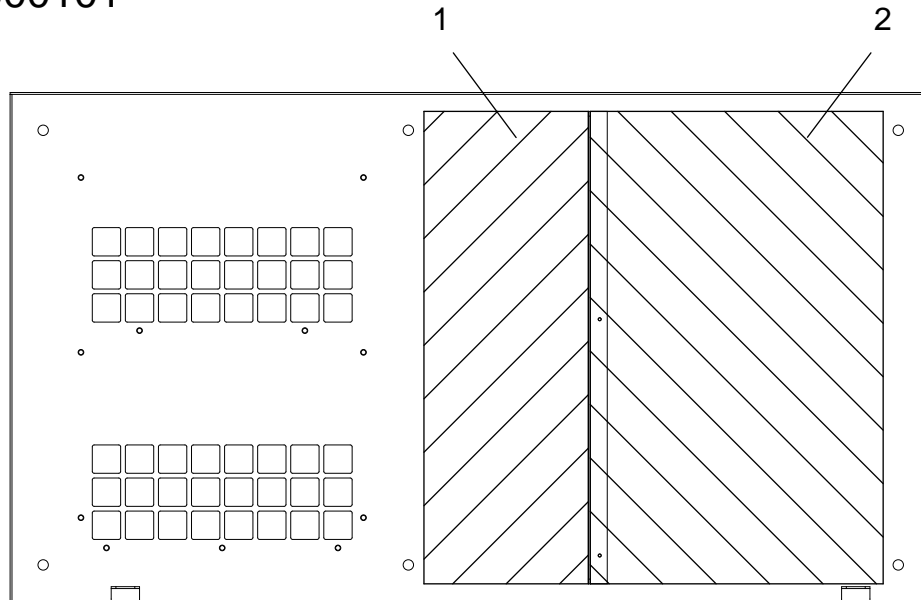
Panel

## LEFT ENCLOSURE PANEL INSULATION

NO.	PART NUMBER	QTY.	DESCRIPTION	
1	V413000420	1	INSULATION,T20X175X500 PANEL	
2	V413000430	1	INSULATION,T10X310X500 PANEL	

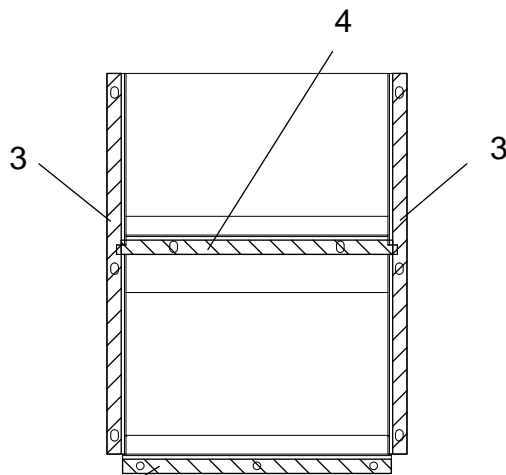
LEFT ENCLOSURE PANEL DUCT INSULATION

D18101000101 -



back view

Panel



back view

Airduct

## LEFT ENCLOSURE PANEL DUCT INSULATION

NO.	PART NUMBER	QTY.	DESCRIPTION	
1	V413000420	1	INSULATION,T20X175X500 PANEL	PANEL
2	V413000430	1	INSULATION,T10X310X500 PANEL	PANEL
3	J481000620	2	SEAL,T1.5X15X400 AIR DUCT COVER	AIR DUCT
4	V541000880	2	SEAL,T1.5X15X280 AIR DUCT	AIR DUCT