

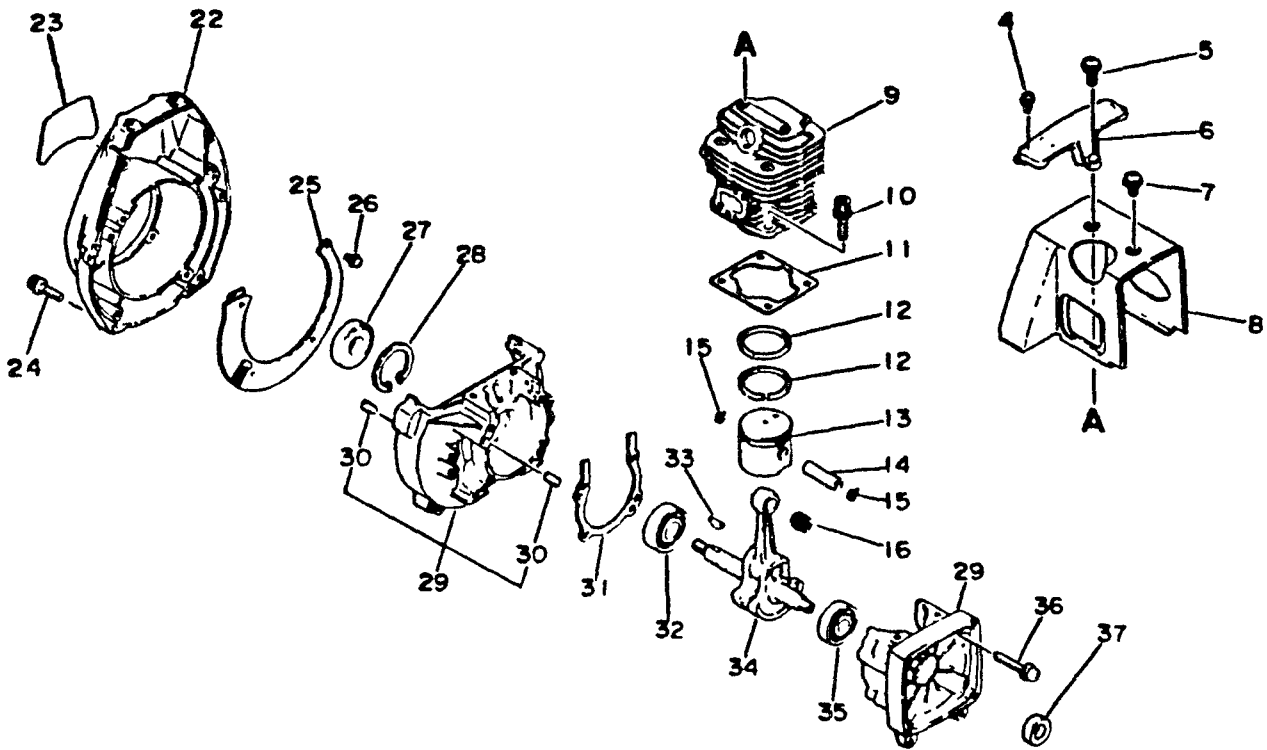


**BRUSH CUTTER
PARTS CATALOG
MODEL SRM-3001**

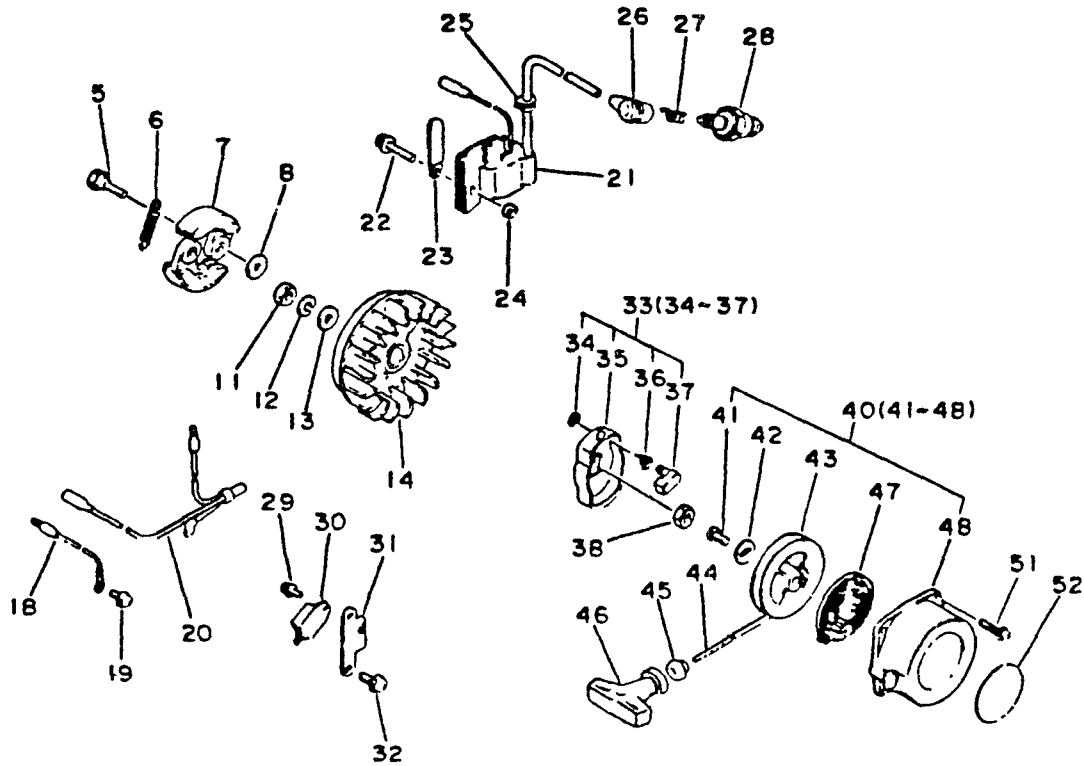
SERIAL NUMBER 021091 THRU 027000

**ECHO, INCORPORATED
400 OAKWOOD ROAD
LAKE ZURICH, IL 60047**

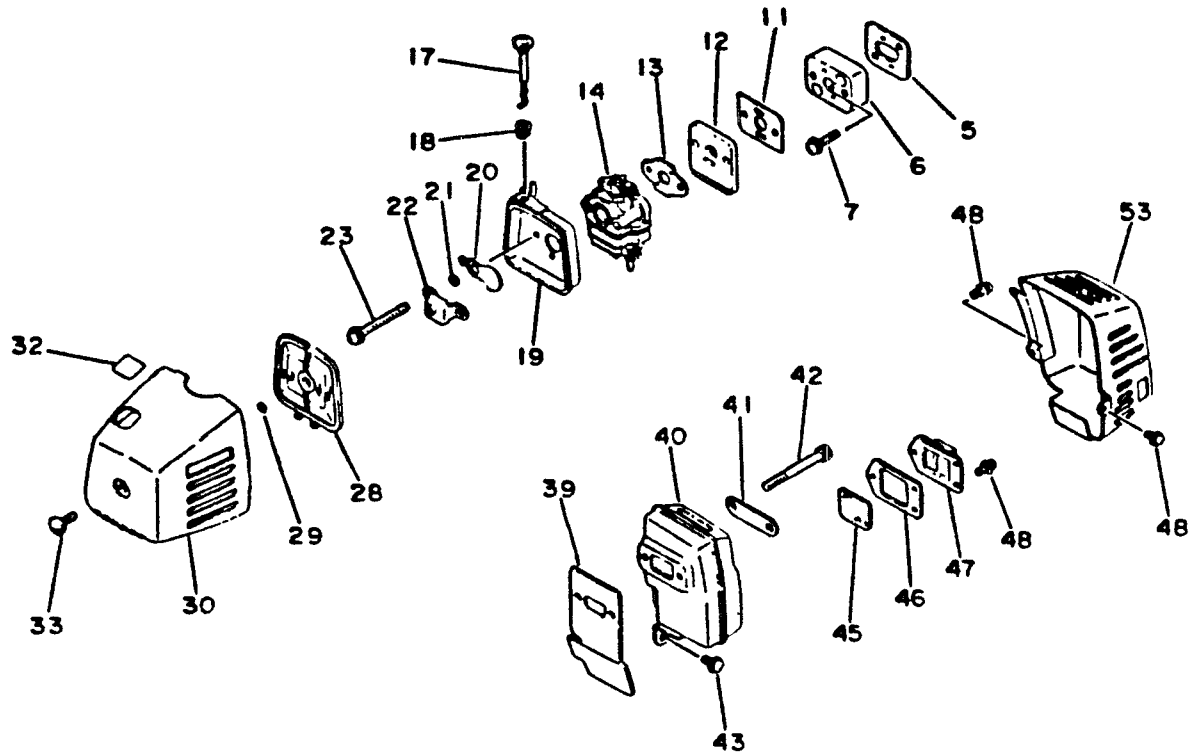
**999222 02438
08/93**



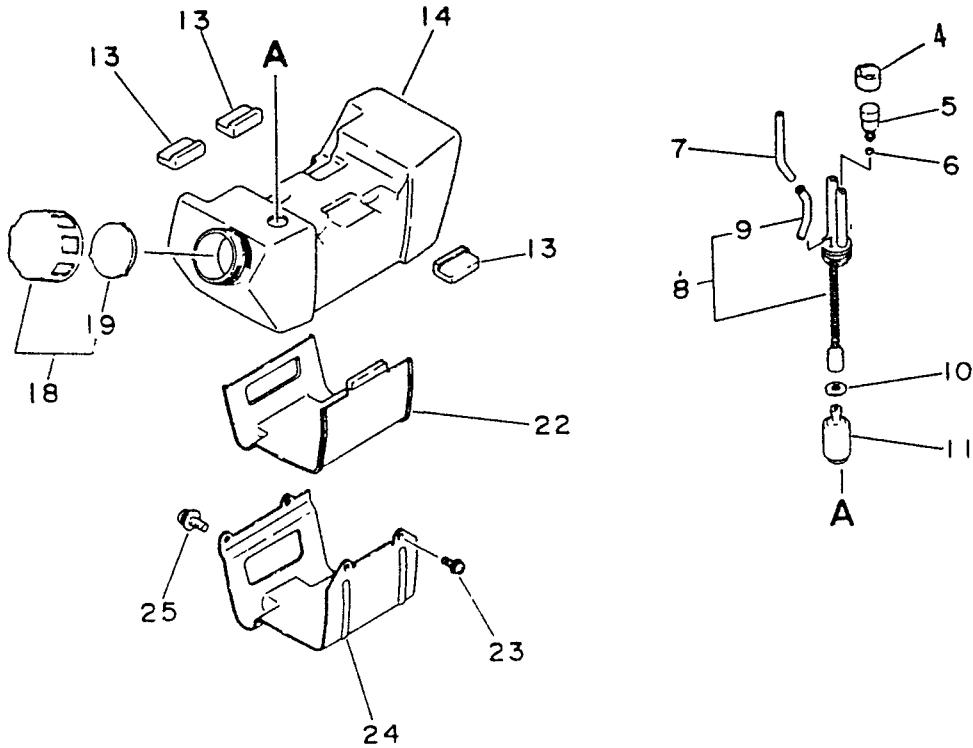
Key No.	Part Number	Q'ty	Description	Key No.	Part Number	Q'ty	Description
1- 4	900 238-0401	4	Screw 4x14	29	100 200-2743	0	Crankcase set
5	900 238-0501	6	Screw 5x16	30	-100 215-0283	0	Pin, dowel
6	159 905-4103	0	Guard, top	31	100 242-2123	0	Gasket, crankcase
7	900 238-0501	0	Screw 5x10	32	900 810-3620	2	Bearing, ball 6202
8	101 514-4103	0	Cover, cylinder	33	100 142-0031	0	Key, Woodruff
9	101 011-2753	0	Cylinder	34	100 100-2123	0	Crankshaft ass'y
10	900 162-0502	0	Bolt, h.s.h. 5x20	35	900 810-3620	1	Bearing, ball 6201
11	101 010-2123	0	Gasket, cylinder base	36	900 238-0503	0	Screw 5x30
12	100 011-1613	1	Ring, piston	37	100 213-0553	0	Oilseal
13	100 010-2743	0	Piston				
14	100 013-2743	0	Pin, piston				
15	100 015-0393	0	Circlip, piston pin				
16	100 012-1613	1	Bearing, needle				
22	101 511-4103	0	Cover, fan				
23	890 112-4043	0	Label				
24	900 238-0502	5	Screw 5x25				
25	101 534-2123	0	Plate				
26	900 238-0400	8	Screw 4x8				
27	100 212-0573	0	Oilseal				
28	900 702-0003	5	Circlip				



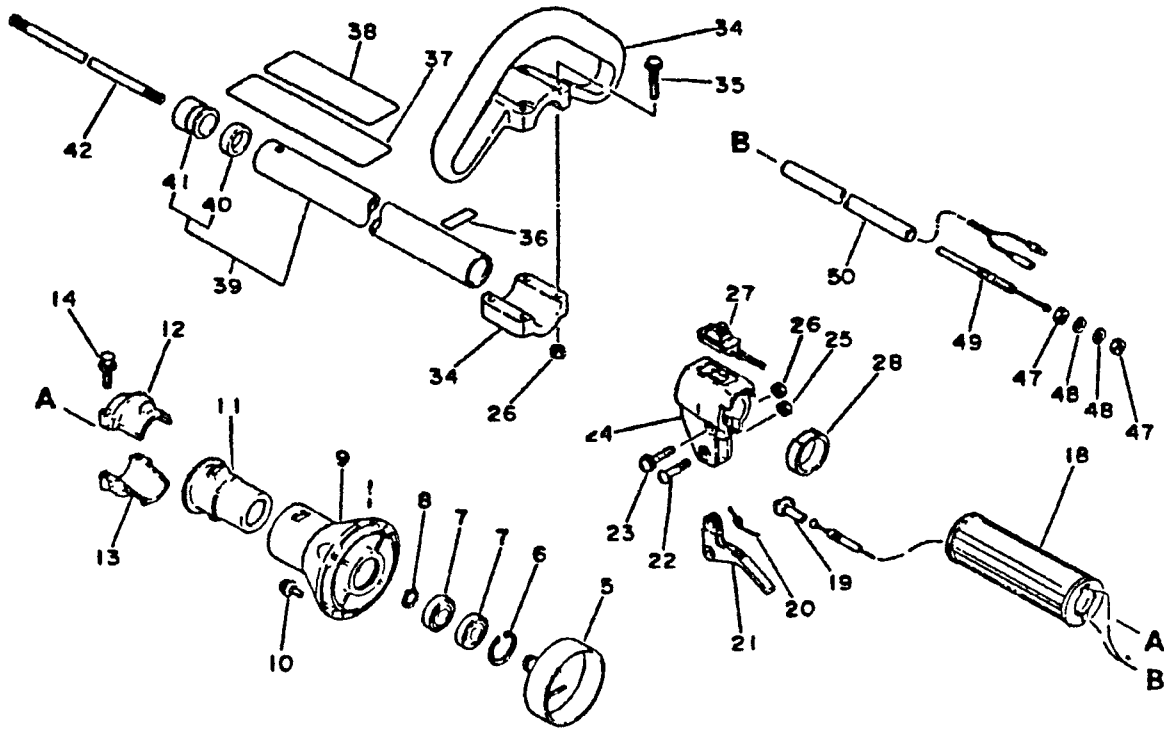
Key No.	Part Number	Q'ty	Description	Key No.	Part Number	Q'ty	Description
2- 5	175 046-2233	2	Bolt	30	152 601-1513	0	Module, TCI
6	175 018-0573	1	Spring, clutch	31	159 310-2743	0	Retainer
7	175 009-0573	2	Shoe, clutch	32	900 238-0501	2	Screw 5x12
8	175 048-0553	0	Washer	33	177 202-4103	0	Catcher ass'y, pawl
11	900 500-0000	6	Nut 8	34	-900 700-0000	4	E-ring 4
12	900 605-0000	8	Washer, spring 8	35	-177 210-4103	0	Catcher, pawl
13	175 049-0392	0	Washer	36	-177 234-4063	0	Spring, pawl
14	152 801-2743	0	Flywheel	37	-177 218-4063	0	Pawl, starter
18	162 014-2723	0	Lead	38	900 502-0000	8	Nut 8
19	900 238-0501	0	Screw 5x10	40	177 200-4103	0	Starter ass'y
20	162 000-4103	0	Lead	41	-177 236-4063	0	Screw
21	152 626-2753	0	Coil, ignition	42	-177 214-4103	0	Washer
22	900 238-0502	5	Screw 5x25	43	-177 215-4103	0	Reel, starter
23	159 116-2123	1	Clip	* 44	-177 226-0111	0	Rope, starter
24	152 117-0553	2	Spacer	45	-177 227-0553	0	Guide, rope
25	156 112-4063	0	Grommet	46	-177 228-0653	0	Grip, starter
26	159 012-0343	3	Cap, spark plug	47	-177 220-4063	0	Spring, rewind
27	159 011-0343	2	Coil, spark plug cap	48	-177 232-4103	0	Case, starter
28	159 017-1393	0	Plug, spark	51	900 238-0402	0	Screw 4x20
29	900 238-0400	8	Screw 4x8	52	890 112-4093	0	Label



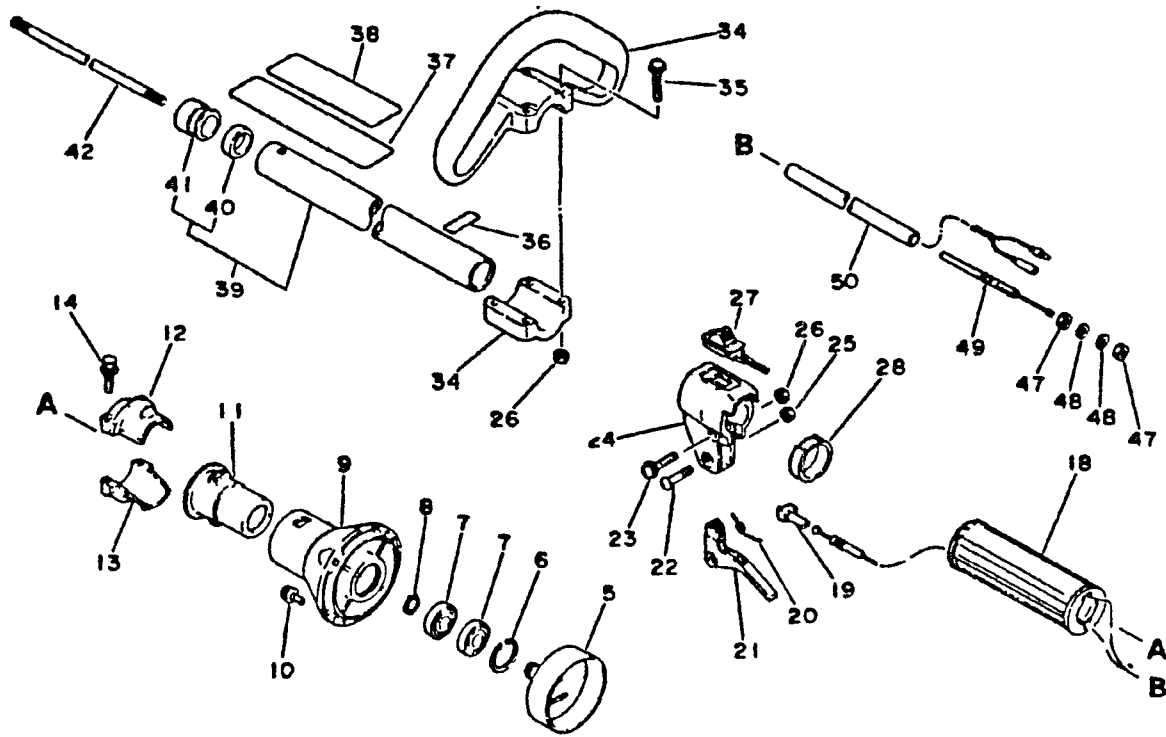
Key No.	Part Number	Q'ty	Description	Key No.	Part Number	Q'ty	Description
3- 5	130 010-2753 0	1	Gasket, insulator	40	145 806-4103 0	1	Muffler
7	130 007-4103 0	1	Insulator	42	900 105-0505 5	2	Bolt, h.s.h. 5x55
6	900 238-0502 2	2	Screw 5x22	43	900 238-0501 0	1	Screw 5x10
11	130 022-4093 0	1	Gasket, insulator	45	145 862-2723 0	1	Screen
12	130 026-4103 0	1	Spacer	46	145 866-2723 0	1	Gasket, muffler lid
13	130 016-4093 0	1	Gasket, carburetor	47	145 809-4103 0	1	Lid, muffler
14	123 000-4103 0	1	Carburetor ass'y	48	900 238-0400 8	5	Screw 4x8
17	178 510-4103 0	1	Rod, choke	53	145 871-4103 0	1	Cover, muffler
18	178 810-0523 0	1	Grommet	41	145 642-2233 0	1	Washer
19	130 307-4093 0	1	Body, air cleaner				
20	178 515-4063 0	1	Shutter, choke				
21	178 516-0083 0	2	Spacer				
22	129 006-4093 0	1	Plate				
23	900 238-0505 0	2	Screw 5x50				
28	130 310-4093 0	1	Filter, air				
30	130 302-4103 0	1	Cover, air cleaner				
29	-900 720-0000 4	1	O-ring 4				
33	-130 415-4063 0	1	Fastener				
32	890 121-4063 0	1	Label				
39	145 510-2753 0	1	Gasket, muffler				



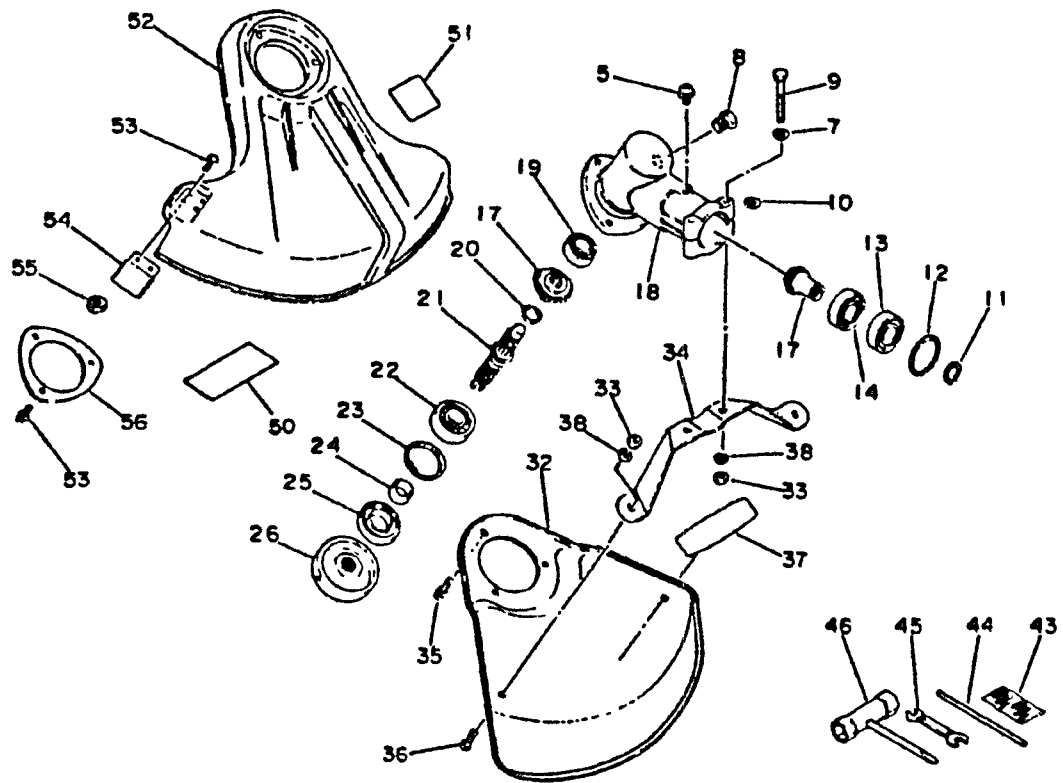
Key No.	Part Number	Q'ty	Description	Key No.	Part Number	Q'ty	Description
4- 5	131 300-4063 0	1	Vent ass'y				
6	130 111-0053 0	1	Clip				
7	129 028-4093 0	1	Pipe				
8	132 002-4093 0	1	Pipe				
9	-132 021-4063 0	1	Connector, pipe				
10	900 603-0000 5	1	Washer 5				
11	131 200-2133 0	1	Strainer, fuel				
13	131 924-0553 0	3	Cushion				
14	131 010-4103 0	1	Tank, fuel				
18	131 004-4093 0	1	Cap, fuel				
19	-131 016-4093 0	1	Gasket				
22	131 924-4103 0	1	Cushion				
23	900 238-0401 0	2	Screw 4x10				
24	131 910-4103 0	1	Bracket, fuel tank				
25	900 238-0501 2	2	Screw 5x12				
4	13132840630	1	Cover Vent				



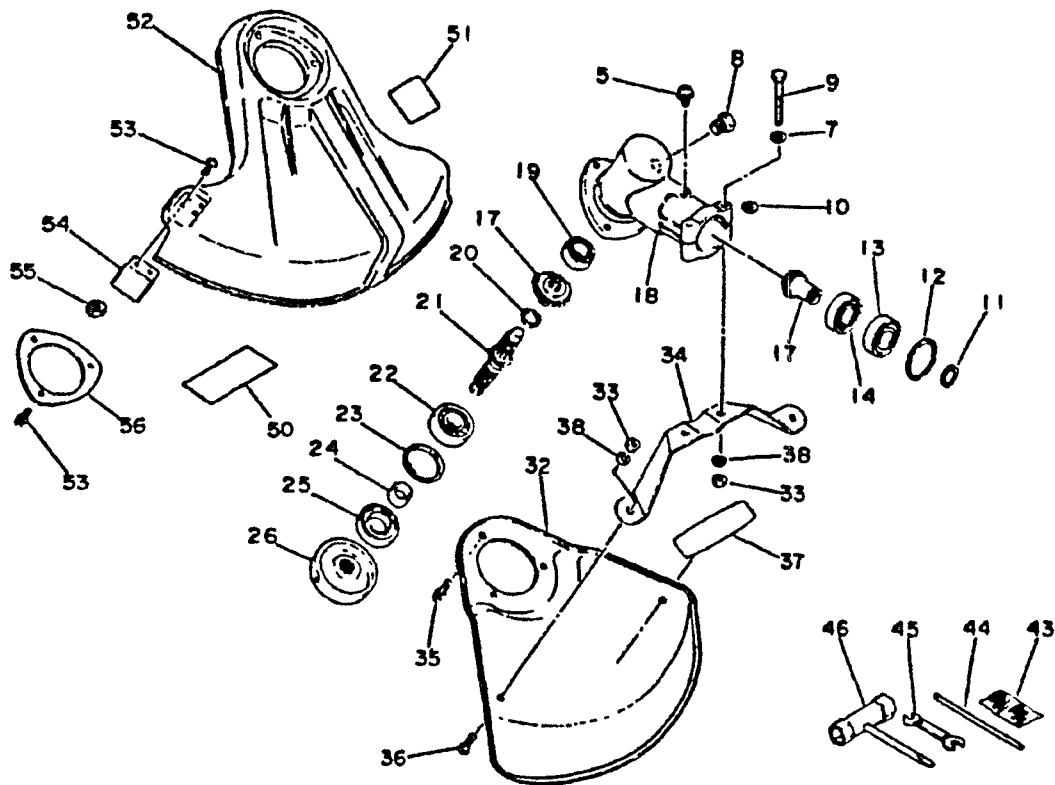
KEY	PART NO.	Q'TY	DESCRIPTION	REMARKS
5-5	175 005-4043 0	1	Drum, Clutch	
6	900 702-0002 8	1	Circlip 28	
7	900 808-0600 1	2	Bearing, Ball 6001	
8	900 701-0001 2	1	Circlip 12	
9	610 205-4103 0	1	Case, Clutch	
10	900 242-0501 6	4	Screw 5 x 16	
11	610 910-4043 0	1	Cushion	
12	610 922-4043 0	1	Holder, Housing	
13	610 923-4043 0	1	Holder, Housing	
14	900 142-0502 5	2	Bolt 5 x 25	
18	351 012-0753 0	1	Grip	
19	178 048-0563 0	1	Spacer	
20	178 043-0693 0	1	Spring	
21	178 010-0563 1	1	Control, Throttle	
22	178 110-0533 0	1	Screw	
23	900 242-0503 0	1	Screw 5 x 30	
24	178 024-0753 0	1	Bracket	
25	433 020-0083 0	1	Locknut 5	
26	900 500-0000 5	1	Nut 5	
27	163 400-2723 0	1	Switch, Ignition	
28	178 076-4103 0	1	Spacer	



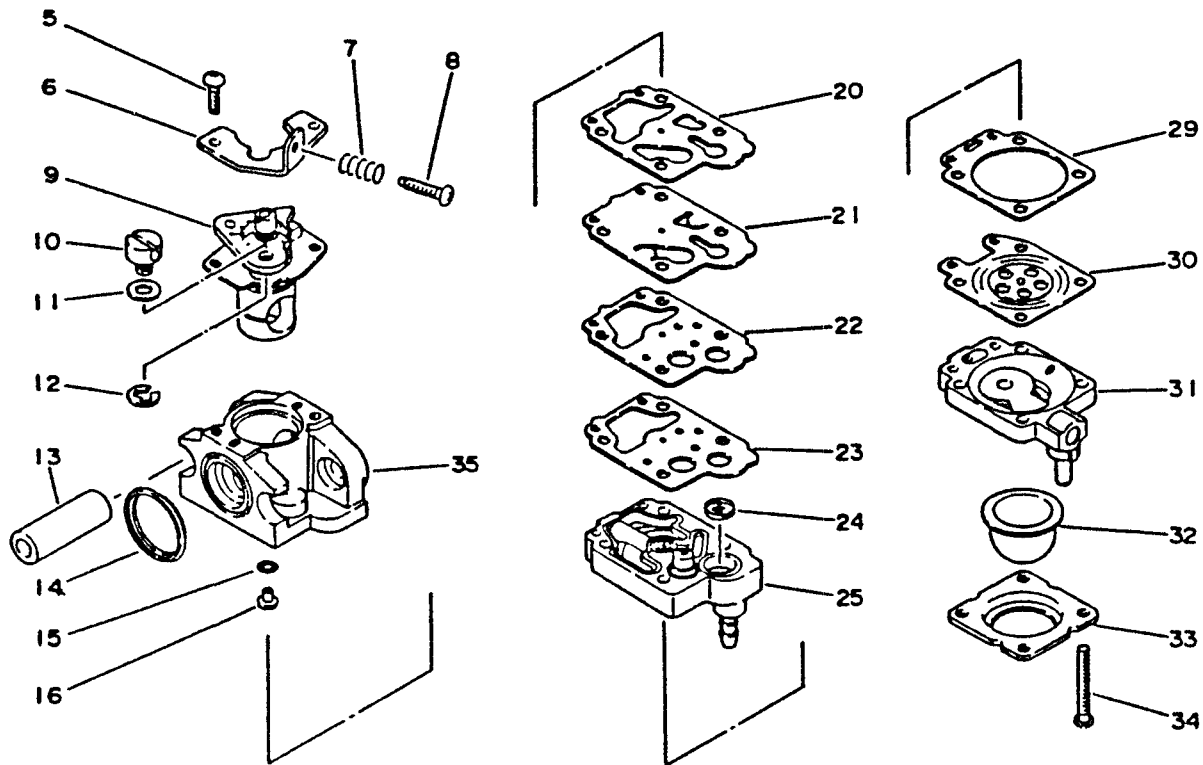
KEY	PART NO.	Q'TY	DESCRIPTION	REMARKS
5-34	351 201-0693 0	1	Handle, Loop	
26	-900 500-0000 5	4	Nut 5	
35	-900 242-0503 5	4	Screw 5 x 35	
39	610 609-4043 0	1	Housing, Drive Shaft	
37	-890 160-4763 0	1	Label	
38	-890 160-4443 0	1	Label	
40	-610 112-0493 0	5	O-ring	
41	-610 105-0493 0	5	Bushing	
42	610 011-0623 0	1	Shaft, Drive	
47	900 502-0000 6	2	Nut 6	
48	900 600-0000 6	2	Washer 6	
49	178 001-4093 0	1	Wire, Throttle	
50	178 127-4093 0	1	Tube	



KEY	PART NO.	Q'TY	DESCRIPTION	REMARKS
6-	610 400-4783 0	1	Housing Assy., Gear	
5	-900 242-0501 0	1	Screw 5 x 10	
7	-900 600-0000 5	2	Washer 5	
8	-900 100-0800 8	1	Bolt 8 x 8	
9	-900 100-0504 0	2	Bolt 5 x 40	
10	-610 239-0413 0	2	Washer	
11	-900 701-0001 2	1	Circlip 12	
12	-900 702-0002 8	1	Circlip 28	
13	-900 807-0600 1	1	Bearing, Ball 6001	
14	-900 800-0600 1	1	Bearing, Ball 6001	
17	-610 300-4043 0	1	Gear Set	
18	-610 410-0753 0	1	Housing, Gear	
19	-900 800-3600 0	1	Bearing, Ball 6000	
20	-610 706-0001 2	1	Circlip	
21	-610 310-4103 0	1	Shaft, PTO	
22	-900 810-0620 1	1	Bearing, Ball 6201	
23	-900 702-0003 2	1	Circlip.32	
24	-610 315- 0713 0	1	Spacer	
25	-610 413-0713 0	1	Oil Seal	
26	-610 313-4773 0	1	Plate, Adapter	
33	-900 500-0000 5	2	Nut 5	
38	-900 605-0000 5	2	Washer, Spring 5	



KEY	PART NO.	Q'TY	DESCRIPTION	REMARKS
6-32	699 000-0753 1	1	Shield	
33	-900 500-0000 5	2	Nut 5	
34	-699 015-0753 0	1	Bracket, Shield	
35	-900 242-0501 0	3	Screw 5 x 10	
36	-900 220-0500 8	2	Screw 5 x 8	
38	-900 605-0000 5	2	Washer, Spring 5	
37	890 138-2403 0	1	Label	
43	898 502-0113 0	1	Pin, split 2 x 22 10 pcs.	
44	897 518-0113 1	1	Rod, Locking	
45	895 112-0033 0	1	Spanner	
46	895 410-0803 0	1	Wrench W/Screwdriver	
52	699 004-4093 0	1	Shield Assy.	
53	-900 242-0501 6	5	Screw 5 x 16	
56	-699 018-4083 0	1	Plate	
54	-699 016-4433 0	1	Knife Cord	
55	-900 500-0000 5	1	Nut 5	
50	-890 138-4433 0	1	Label, Echo	
51	-890 168-4483 0	1	Label	



Key No.	Part Number	Q'ty	Description	Key No.	Part Number	Q'ty	Description
7-	123 000-4103 0	1	Carburetor ass'y WY-21	23	- (A) (B)	1	Gasket, plate
5	-123 114-4063 0	2	Screw	24	- (A)	1	Screen, inlet
6	-123 128-4063 0	1	Bracket, idle adjust.	25	- (A)	1	Body ass'y, pump
7	-123 133-2603 0	1	Spring, idle screw	29	- (A) (B)	1	Gasket, metering diaphragm
8	-123 134-4003 0	1	Screw, idle speed	30	- (A) (B)	1	Diaphragm, metering
9	-123 116-4063 0	1	Valve, throttle	31	-123 180-4063 0	1	Body ass'y, air purge
10	-123 172-2603 0	1	Swivel	32	-123 181-4063 0	1	Pump, primer
11	-123 149-2603 0	1	Washer	33	-123 142-0296 0	1	Cover, metering diaphragm
12	-123 173-0793 0	1	Clip	34	-123 110-4063 0	4	Screw
13	-123 158-4063 0	2	Sleeve, mounting	35	-Notavailable	1	Body, carburetor
14	- (A) (B)	1	Ring, packing				
15	- (A)	1	O-ring				
16	- (A)	1	Jet				
20	- (A) (B)	1	Gasket, pump				
21	- (A) (B)	1	Diaphragm, pump				
22	-123 160-4063 0	1	Plate, pump				

(A) Use 123 100-4093 0 Carburetor repair kit
 (B) Use 123 101-4063 0 Carburetor diaphragm/gasket kit