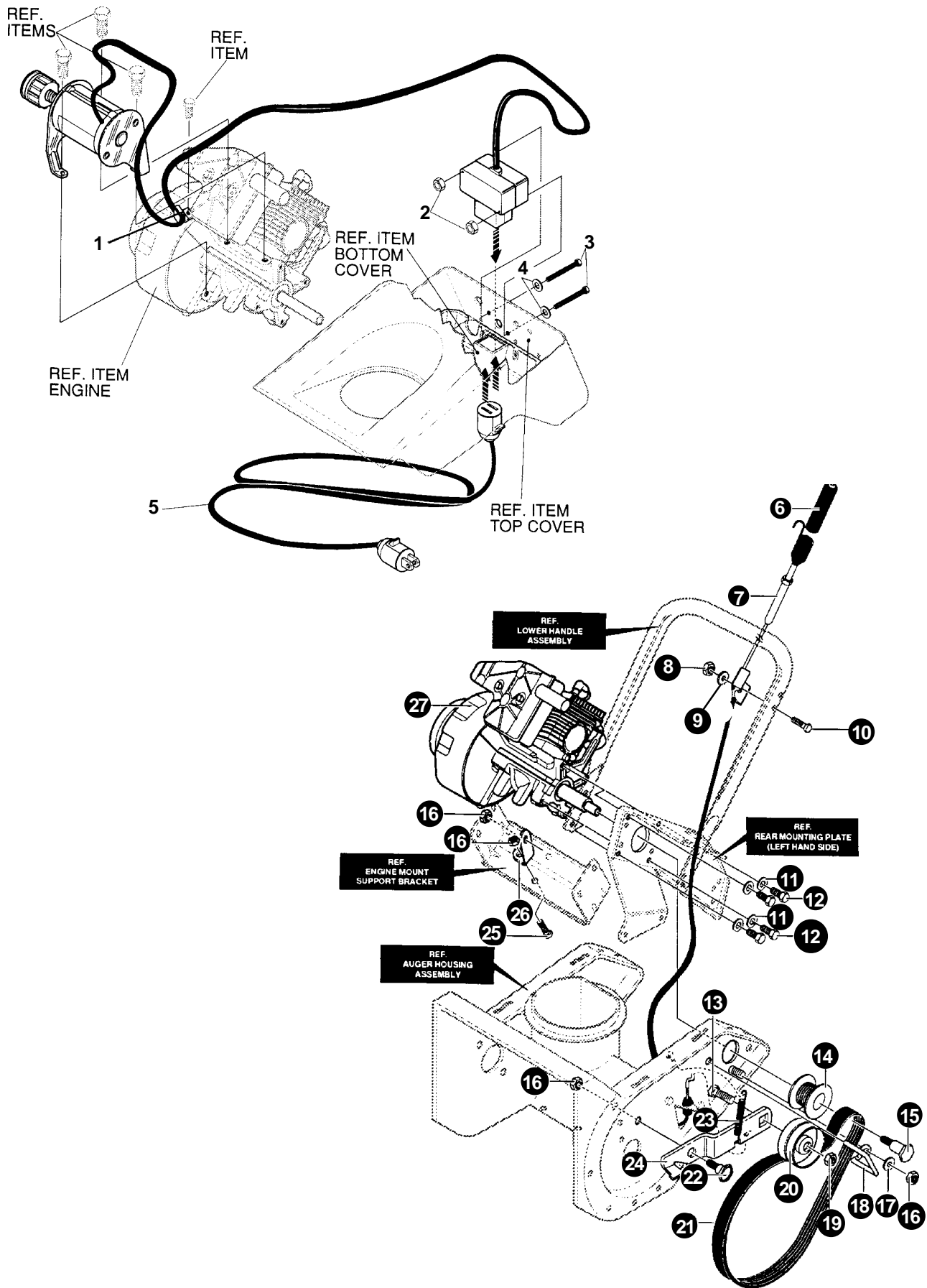




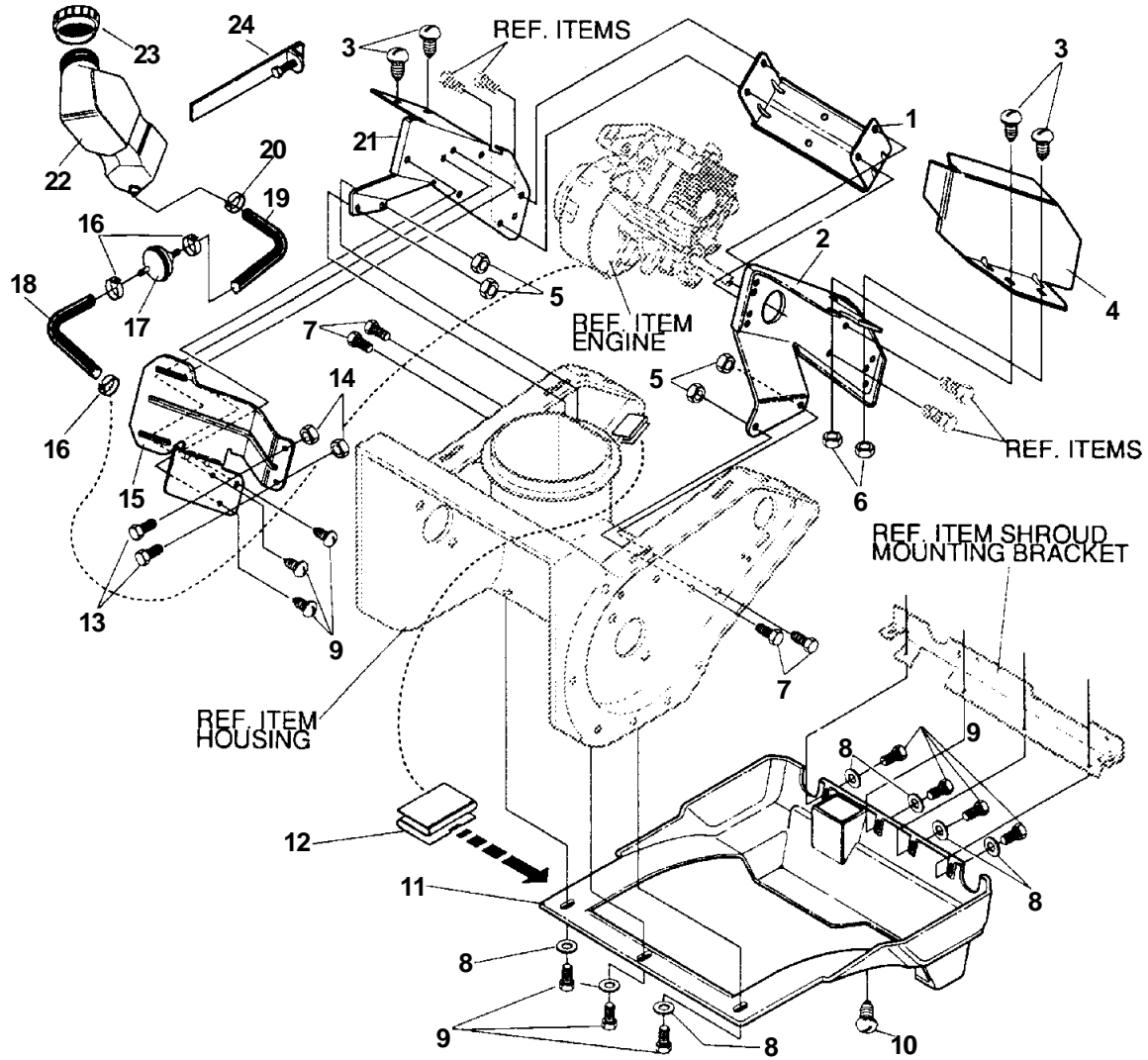
**SNOWTHROWER  
PARTS CATALOG  
MODEL ST-5000 T1E  
Serial Number 001471 & UP  
MODEL ST-5000E T1E  
Serial Number 001457 & UP  
1998 MODELS**

**ECHO, INCORPORATED  
400 OAKWOOD ROAD  
LAKE ZURICH, IL 60047**

**99922203210  
10/99**



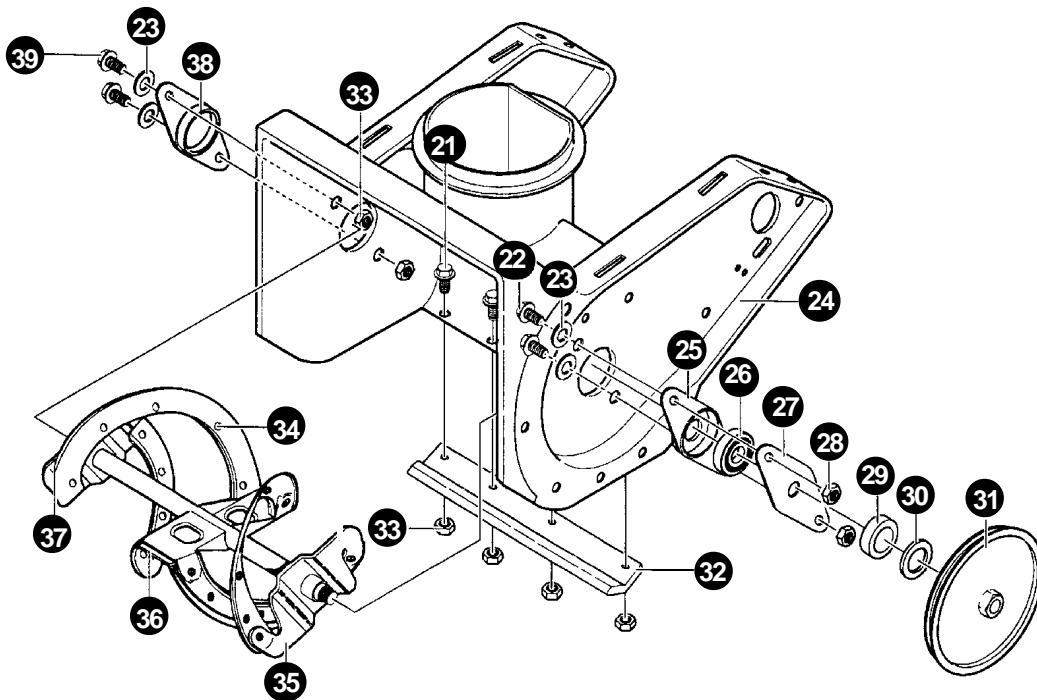
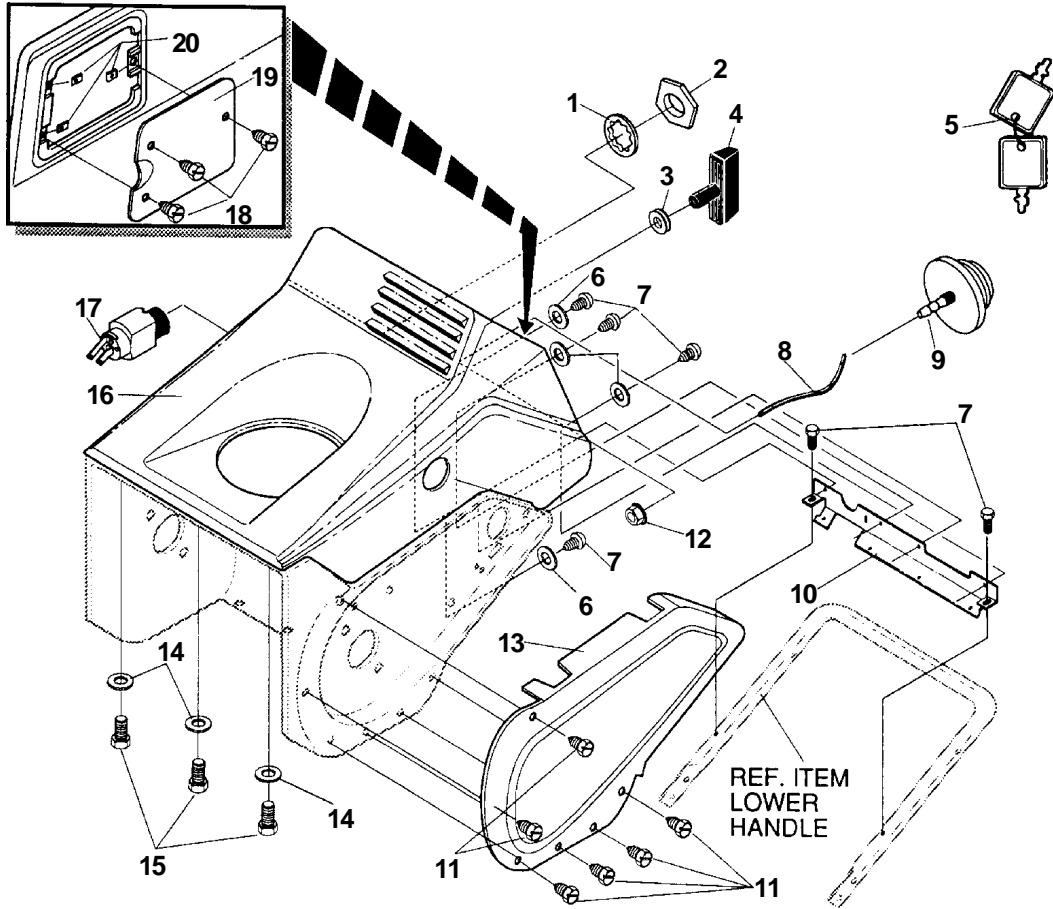
KEY	PART NUMBER	QTY	DESCRIPTION	REMARKS
1	14057569	1	RETAINER, .31DX.62X.03 WIRE	
2	14271163	2	NUT, #8-32 HEXKEPS	
3	14311633	2	SCREW, #8-32X3.00 HHC	
4	14414106	2	WASHER, FLAT .188X.38X.040	
5	14056023	1	CORD, EXTENSION 10 F	
6	14314142	1	COVER, CABLE SPRING	
7	<b>14320529</b>	<b>1</b>	<b>CABLE, DRIVE CONTROL</b>	
8	14001502	1	NUT, 1/4-20 REGHEXCTRLK	
9	14120392	1	WASHER, FLAT .281X.63X.065	
10	14070971	1	SCREW, 1/4-20X1.50	
11	14120638	4	WASHER, HVSP TLK .327X.60X.09	
12	14180077	4	SCREW, 5/16-18X.75 HHC	
13	14045892	1	BOLT, 3/8-16X1.50 CARRSN	
14	14333784	1	PULLEY, 4.5 HP	
15	14333805	1	BOLT, SHOULDER .625X.282	
16	14001498	4	NUT, 5/16-18 REGHEXCTRLK	
17	14120386	1	WASHER, FLAT .312X.73X.065	
18	14340428	1	GUIDE, BELT 21"	
19	14041529	1	NUT, 3/8-16 HXCTRLKJAM	
20	14048924	1	PULLEY, IDLER BB 1.88OD	
21	14333721	1	BELT, 10 RIB	
22	14333594	1	BOLT, .500X.177 HSH 5/16-18	
23	14339017	1	SPRING, IDLER BRAKE	
24	14339415	1	BRACKET, IDLER ARM 5/21	
25	14180073	1	SCREW, 5/16-18X.50	
26	14301415	1	SUPPORT, ENGINE	
27	-----	1	ENGINE, 5.0 HP	SEE ENGINE MANUAL



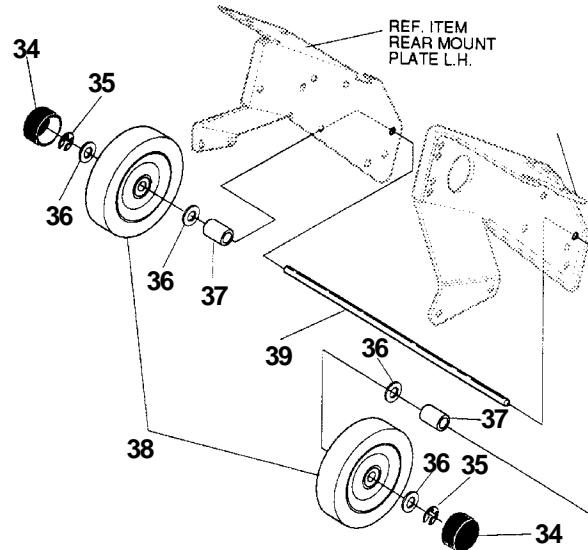
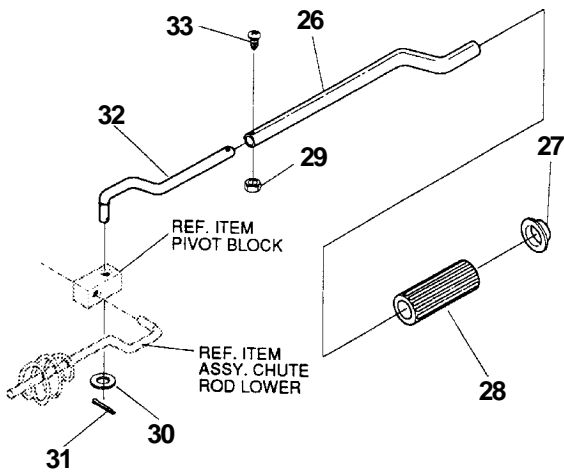
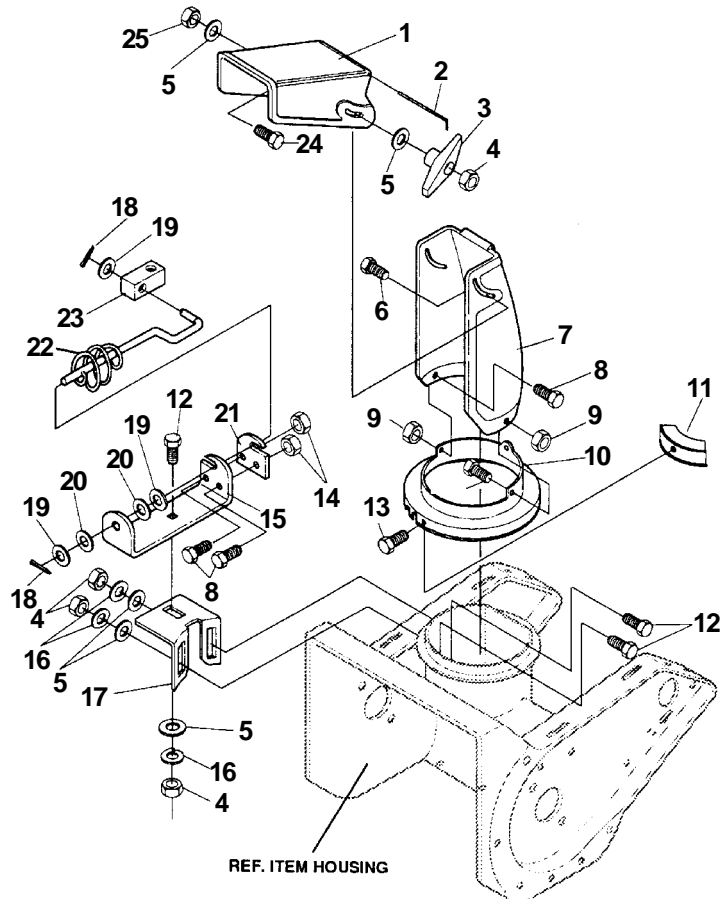
## FRAME COMPONENTS

## ST-5000/E TYPE 1/1E

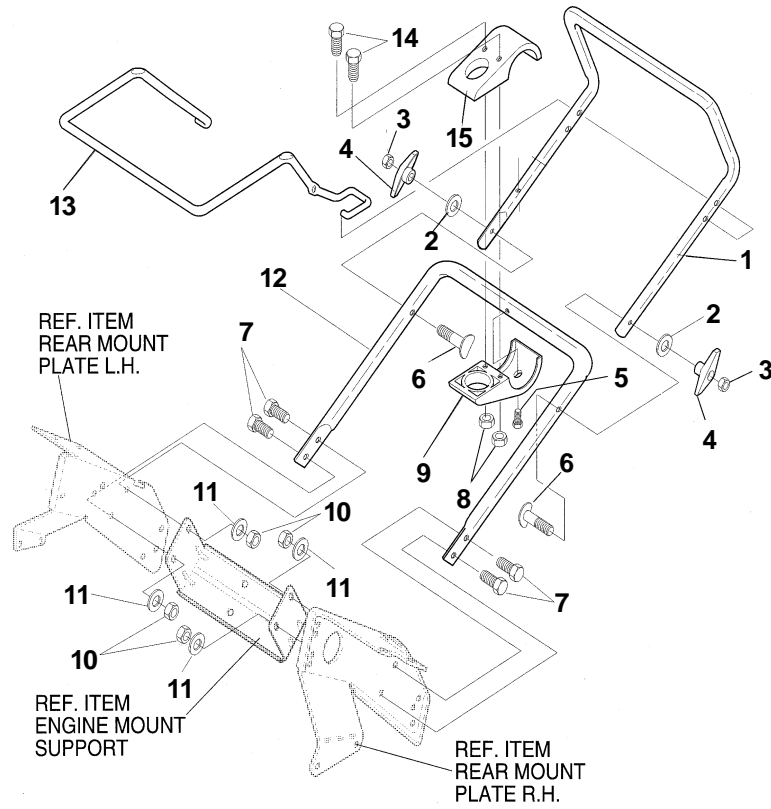
KEY	PART NUMBER	QTY	DESCRIPTION	REMARKS
1	14301419	1	SUPPORT, FRAME	
2	14301421	1	PLATE, REAR MT. LH	
3	14318139	4	SCREW, 1/4-20X.63 PHPNHD	
4	14311738	1	SHIELD, ENGINE HEAR	
5	14001498	4	NUT, 5/16-18 REGHEXCTRLK	
6	14046931	2	NUT, 1/4-20 WDFL MAC-LOCK	
7	14180073	4	SCREW, 5/16-18X.50 HHC	
8	14303041	7	WASHER, FLAT	
9	14309814	9	SCREW, #10-24X.63 TRPHRAP	
10	14057366	1	SCREW, 10-16X.50	
11	14302287	1	SHROUD, BOTTOM SRS PLAS	
12	14313057	1	CLIP, "S" TINNERMAN	
13	14274707	2	SCREW, 10-24X.50 WAHHMA	
14	14997316	2	NUT, #10-24 REGHEXCTRLK	
15	14307724	1	BRACKET, GAS TANK	
16	14323387	1	CLAMP, HOSE	
17	14056679	1	FILTER, IN-LINE	
18	14323395	1	TUBING, .25X.47X3.00 GAS LINE	
19	14323363	1	TUBING, .25X.47X8.00 GAS LINE	
20	14047345	1	CLAMP, HOSE SCREW TYPE	
21	14301420	1	PLATE, REAR MOUNT RH	
22	14326142	1	TANK, FUEL	
23	14327018	1	CAP, FUEL 2/2654 SEAL, 50:1	
24	14311671	1	CLAMP, WORM DRIVE 2-5/8 - 4-1/2	



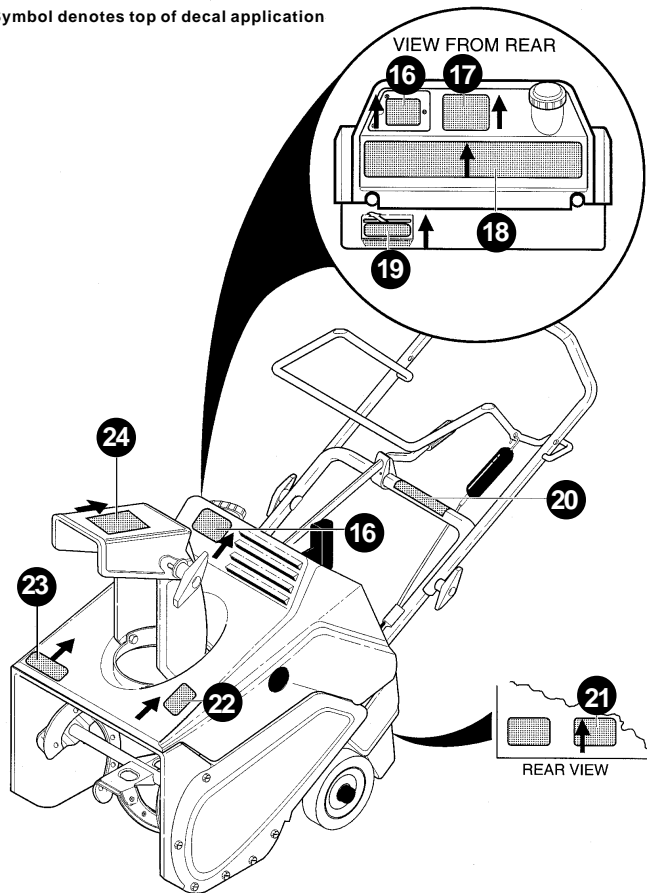
KEY	PART NUMBER	QTY	DESCRIPTION	REMARKS
1	14138557	1	WASHER, REGINTLK	
2	14048140	1	NUT, 5/8-32HXHD IGNITION SWITCH	
3	14057587	1	GROMMET & WASHER	
4	14333643	1	KNOB, STAND TEE	
5	14049643	2	KEYS & RING ASY	
6	14303041	4	WASHER, FLAT .203X.56X.040	
7	14309814	6	SCREW, #10-24X.63	
8	14001259	1	HOSE, PRIM	
9	14054601	1	PRIMER, ENGINE	
10	14307469	1	BRACKET, SHROUD	
11	14035258	6	SCREW, 10-24X.38	
12	14303008	1	NUT, 1/4-20 HEXKEPS	
13	14302416	1	COVER, BELT	
14	14120385	3	WASHER, FLAT .250X.56X.049	
15	14309813	3	SCREW, #10-14X.63	
16	14307468	1	COVER, TOP	
17	14056992	1	SWITCH, IGNITION	
18	14312362	3	SCREW #10-16X.75	
19	14307470	1	DOOR, ACCESS	
20	14309811	3	NUT, TINN "U" TYPE	
21	14055686	1	SCREW, 1/4-20X.63	
22	14302628	2	SCREW, 1/4-20X.75 HHC	
23	14120392	4	WASHER, FLAT .281X.63X.065	
24	14340381	1	HOUSING ASY, AUGER 21"	
25	14580251	1	RETAINER, BEARING	
26	14049562	1	BEARING, BALL 6203-2AA-C3	
27	14334287	1	PLATE, RETAINER BEARING	
28	14001502	2	NUT, 1/4-20 REGHEXCTRLK	
29	14578101	1	SPACER, SLEEVE .640X.88X.15	
30	14040677	1	WASHER, FLAT .640X1.25X.06	
31	14333446	1	PULLEY, POLYV 6"OD 10RIB	
32	14302418	1	BLADE, SCRAPER	
33	14046931	6	NUT, 1/4-20 WDFL MAC-LOCK	
34	14049838	1	RIVET	
35	14309376	1	AUGER, ASY COMPLETE 2CY 21"	
<b>36</b>	<b>14335992</b>	<b>1</b>	<b>CENTER, AUGER BLADE</b>	
37	14302565	1	BLADE, AUGER	
38	14577023	1	BEARING, FLANGE	
39	14180021	1	SCREW, 1/4-20X.88	



KEY	PART NUMBER	QTY	DESCRIPTION	REMARKS
1	14325847	1	CHUTE, UPPER	
2	14308931	1	WIRE, HINGE 6.65LG	
3	14013527	1	KNOB, T 2BLADE W/516/18 NUT	
4	14120376	4	NUT, 5/16-18 REGJEX	
5	14120393	5	WASHER, FLAT .344X.69X.065	
6	14302842	1	BOLT, 5/16-18X1.25 CARRLN	
7	14334234	1	CHUTE	
8	14180016	4	SCREW, 1/4-20X.50 HHC	
9	14046931	1	NUT, 1/4-20 WDFL MAC-LOCK	
10	14302500	1	RING, LOWER CHUTE	
11	14300790	1	CLIP, CHUTE RING	
12	14070993	3	BOLT, 5/16-18X.75	
13	14056962	1	SCREW, 1/4-14X.63	
14	14001502	2	NUT, 1/4-20 REGHEXCTRLK	
15	14300728	1	BRACKET, CHUTE ROD	
16	14120638	3	WASHER, HVSPTLK .328X.60X.09	
17	14302505	1	BRACKET, WORM ADJUST	
18	14121222	2	PIN, COTTER .090 DIA X .75LG	
19	14012452	3	WASHER, FLAT .40X.75X.025	
20	14313431	2	WASHER, CURVED SPRING	
21	14307741	1	PLATE, CHUTE ROD	
22	14307742	1	ROD ASY, CHUTE LOWER	
23	14051564	1	BLOCK, PIVOT PLASTIC	
24	14578088	1	SCREW, 5/16-18X.75 SLTRMA	
25	14001498	1	NUT, 5/16-18 REGHEXCTRLK	
26	14309449	1	ROD, CHUTE CONTROL UPPER	
27	14331532	1	NUT, PUSH, FITS 3/8	
28	14307755	1	KNOB, CHUTE CRANK	
29	14314159	1	NUT, #10-32 CTRLK	
30	14012452	1	WASHER, FLAT .40X.75X.025	
31	14121222	1	PIN, COTTER .090 DIA X .75LG	
32	14307756	1	ROD, MID CHUTE CTL	
33	14314158	1	SCREW, 10-32X.88	
34	14577037	2	HUB CAP 3/20	
35	14577598	2	E-RING, RET	
36	14120394	4	WASHER, FLAT .406X.81X.065	
37	14309656	2	SPACER, SLEEVE .407X.63X.44	
38	14325016	2	TIRE & RIM, SEPU 8X1.75	
39	14307719	1	SHAFT, AXLE 5/21	



↑ Symbol denotes top of decal application



KEY	PART NUMBER	QTY	DESCRIPTION	REMARKS
1	<b>14337408</b>	1	<b>UPPER HANDLE &amp; FOAM</b>	
2	14022025	2	WASHER, FORM .344ID 1.0	
3	<b>14120376</b>	2	<b>NUT, 5/16-18 REGHEX</b>	
4	<b>14013527</b>	2	<b>KNOB</b>	
5	14310169	1	SCREW, 1/4-20X.63	
6	14337584	2	BOLT, 5/16-18X2.00	
7	14180077	4	SCREW, 5/16-18X.75 HHC	
8	14071055	2	NUT, #10-24 HEXNYLLK	
9	14308716	1	BRACKET HALF, CHUTE CRANK	
10	14001498	4	NUT, 5/16-18 REGHEXCTRLK	
11	14120393	4	WASHER, FLAT .344X.69X.065	
12	14309964	1	HANDLE, LOWER	
13	<b>14302417</b>	1	<b>BAR, DRIVE CONTROL LOOP</b>	
14	14309815	2	SCREW, #10-24X1.00 FILLPHMA	
15	14308715	1	BRACKET HALF, CHUTE CRANK	
16	14402609	1	DECAL, ECHO	ST-5000
16	14402608	1	DECAL, ECHO	ST-5000E
17	14325768	1	DECAL, START INSTR 5/21 50:1	
18	14325050	1	DECAL, CONTROL PANEL	ST-5000
18	14313296	1	DECAL, CONTROL PANEL	ST-5000E
19	14318494	1	DECAL, CHOKE	
20	14337524	1	DECAL, AUGER CONTROL BAR	
21	<b>14761032</b>	1	<b>DECAL, EPA</b>	
22	14070141	1	DECAL, DANGER AUGER	
23	14325458	1	DECAL, "ECHO"	
24	14326162	1	DECAL, DANGER	