



AVAILABLE ATTACHMENTS & ACCESSORIES

Accessories

99944200001 i-Start Kit

99944206000 Crack Chaser Wire Wheel

Edging Blades

69601552632 8" Edger Blade -- 2 Pack

69601553630 8" Premium Edger Blade -- 2 Pack

99944201000 8" Edger Blade -- Bulk

99944205000 8" Premium Edger Blade -- Bulk

PARTS CATALOG
PE-200 Power Edger

21.2cc

SERIAL NUMBERS

S/N: S68211001001 - S68211999999

ECHO, INCORPORATED

400 Oakwood Road Lake Zurich, Illinois 60047 USA

WWW.ECHO-USA.COM



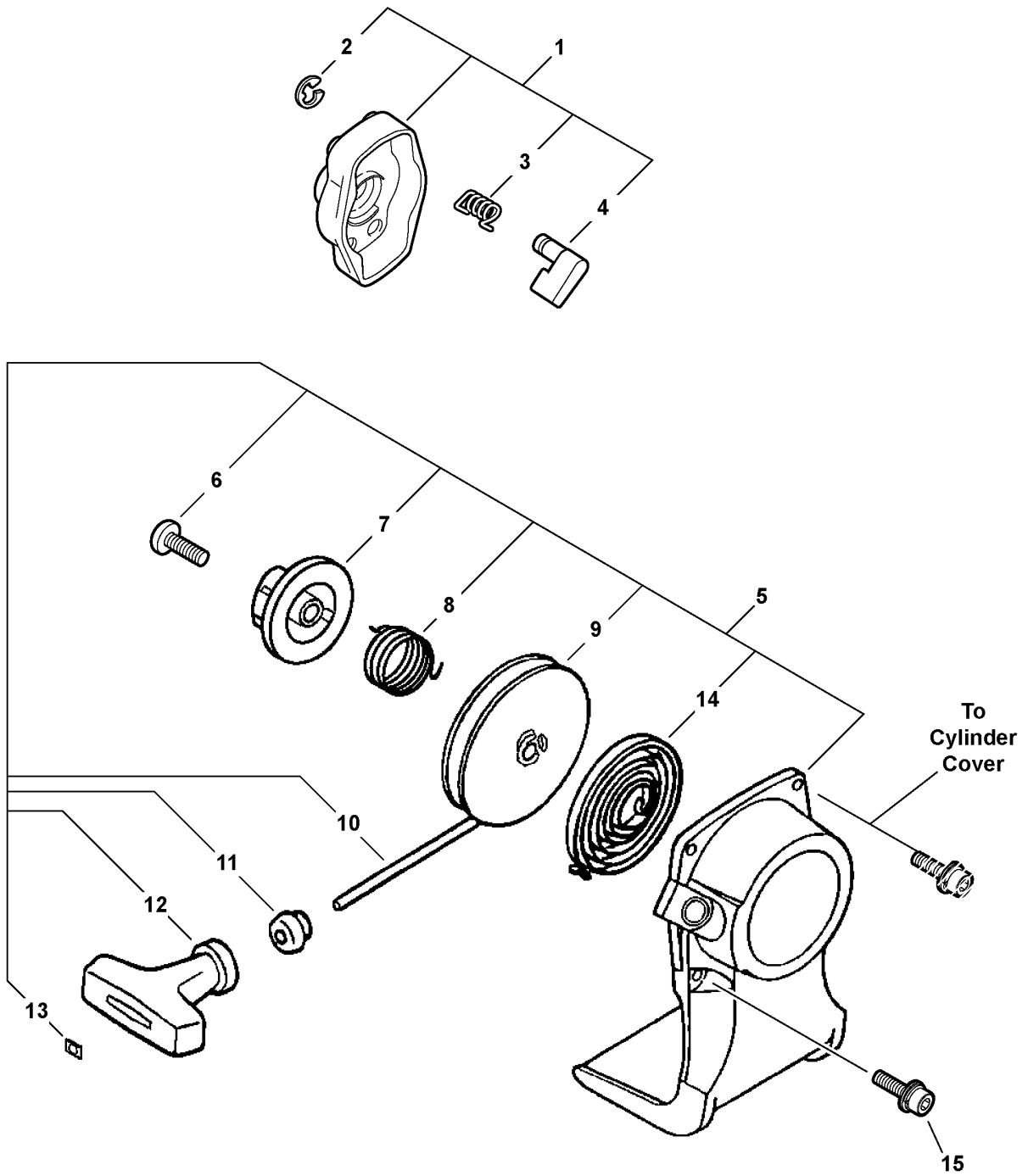
Table of Contents

Click Any Diagram Description Below To View That Diagram.

PE-200 S/N: S68211001001 - S68211999999

Starter -- i-30.....	4
Fuel System.....	6
Cylinder Cover.....	8
Fan Case, Clutch, Ignition Switch.....	10
Intake.....	12
Carburetor -- RB-K75.....	14
Exhaust.....	16
Ignition.....	18
Engine, Short Block -- SB1072.....	20
Edging Assembly -- Plastic.....	22
Gear Case.....	24
Handles, Throttle Control.....	26
Main Pipe Assembly.....	28
Labels.....	30
Gasket Kit.....	32
RePower Tune-Up Kit.....	34
Tools.....	36
Part Number Index.....	38
Part Description Index.....	39

This Page Intentionally Left Blank

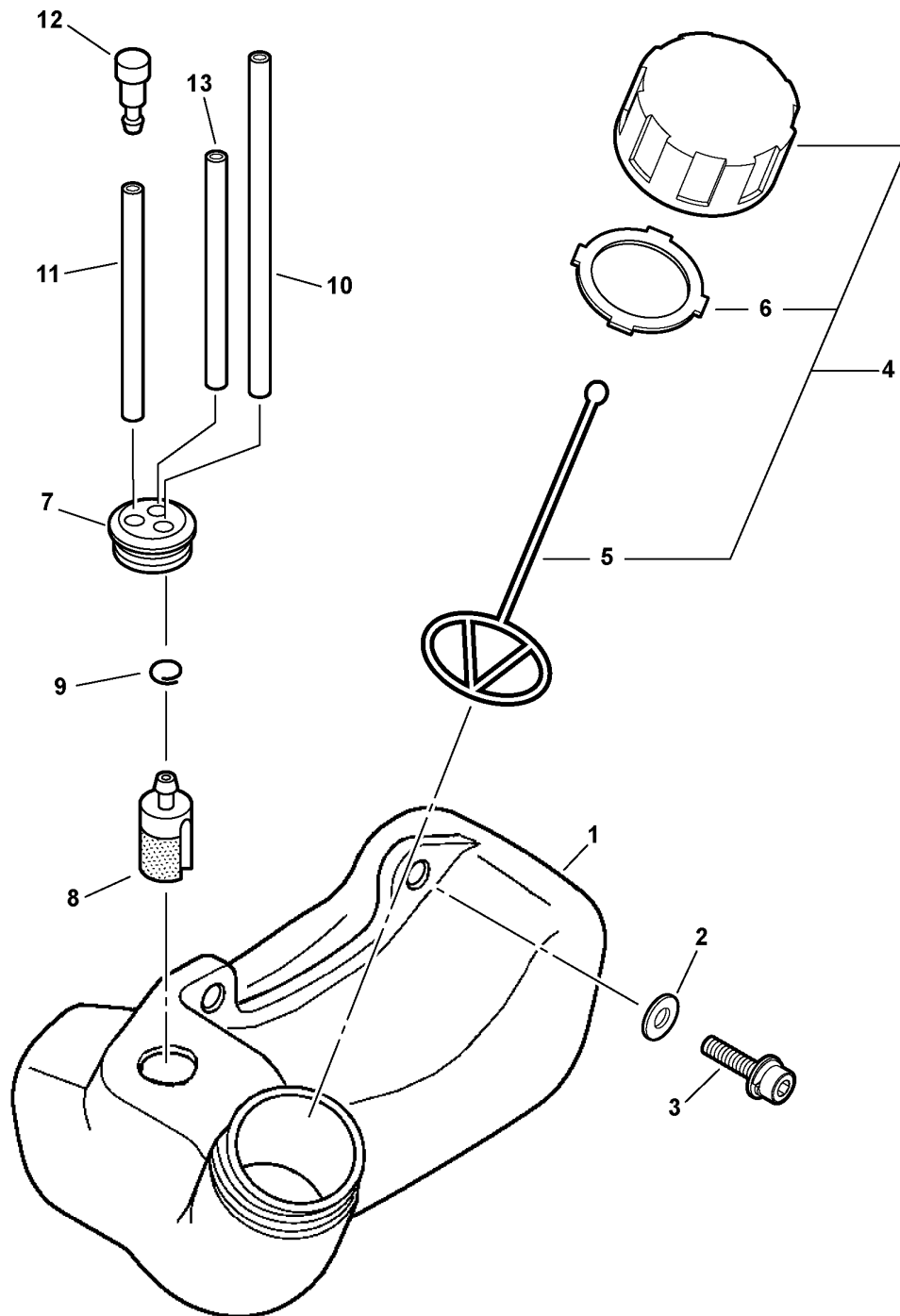


004 0009 000

ITEM	PART NUMBER	QTY	DESCRIPTION	REMARKS
1	A052000180	1	STARTER PAWL ASY	INCLUDES ITEMS 2-4
2	P022002100	2	E-RING	
3	P022006510	2	SPRING, PAWL RETURN	
4	P022006850	2	PAWL, STARTER	
5	A051000680	1	STARTER ASY	INCLUDES ITEMS 6-14
6	17723661830	1	SCREW	
7	P022008280	1	PLATE, CAM	
8	P022008270	1	SPRING, DAMPER	
9	P022006830	1	DRUM	
10	P022008260	1	ROPE, STARTER - 3X700mm ¹	
11	17722742030	1	GUIDE, ROPE	
12	17722827030	1	GRIP, STARTER	
13	17724611120	1	CLIP, STARTER ROPE	
14	17722042030	1	SPRING, REWIND	
15	90016304016	4	SCREW 4X16	

Footnotes

1: BULK OPTION: 99944440000

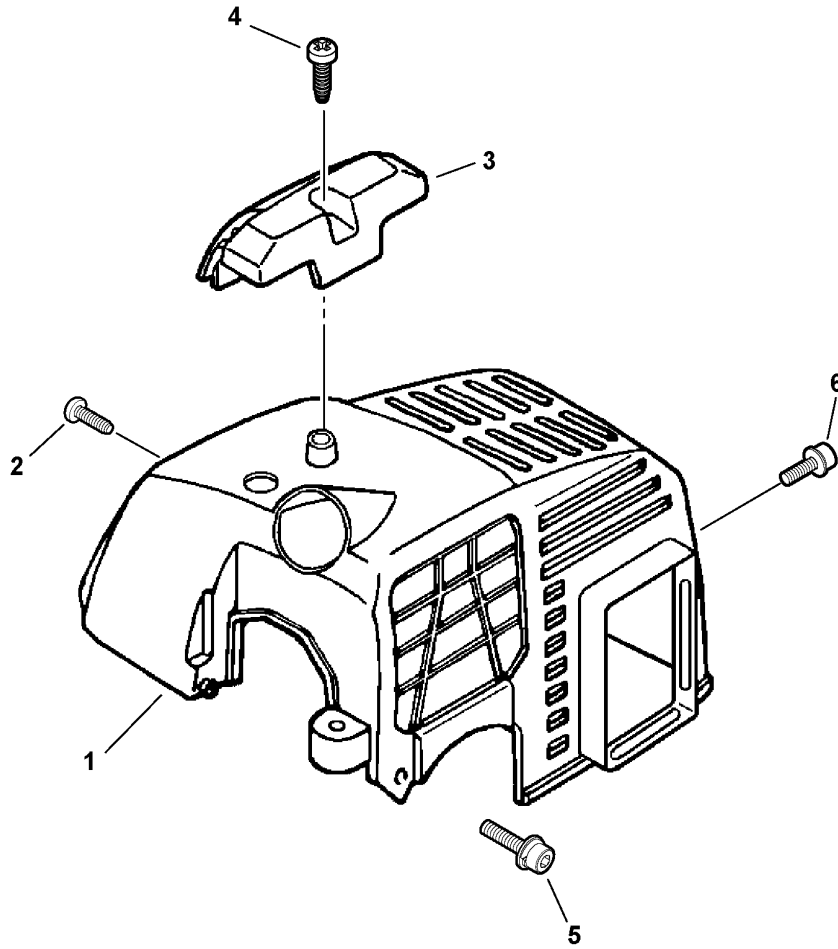


002 0010 00B

ITEM	PART NUMBER	QTY	DESCRIPTION	REMARKS
1	A350000690	1	TANK, FUEL	
2	90060300005	2	WASHER 5	
3	90016205020	2	SCREW 5X20	
4	13100455530	1	FUEL TANK CAP ASY	INCLUDES ITEMS 5-6
5	13105156030	1	CONNECTOR, FUEL CAP	
6	13101655830	1	GASKET, FUEL CAP	
7	V137000030	1	GROMMET	
8	13120507320	1	FILTER, FUEL ¹	
9	13201309820	1	CLIP	
10	V471001190	1	PIPE, FUEL - 3X5X180mm	REPOWER BULK OPTION: 90014
11	V471001200	1	PIPE, VENT - 3X5X70mm	REPOWER BULK OPTION: 90014
12	A356000030	1	VENT ASY	
13	13201256030	1	PIPE, RETURN - 3X6X80mm	REPOWER BULK OPTION: 90017

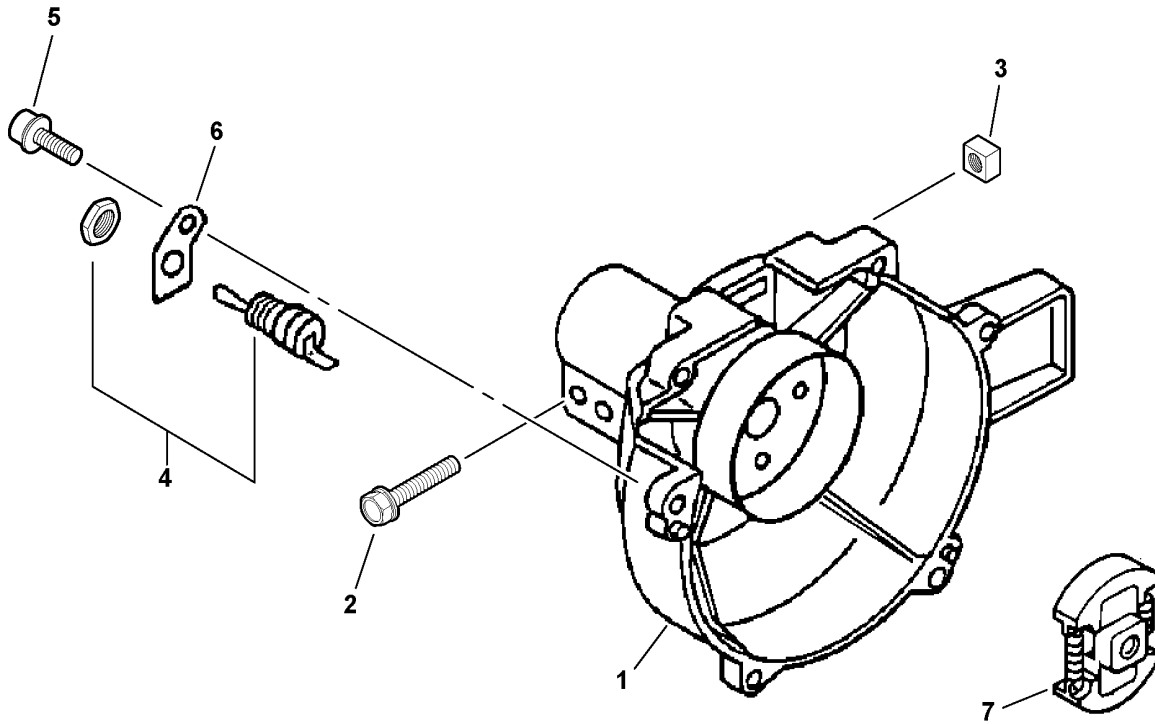
Footnotes

1: Also Included In REPOWER TUNE-UP KIT



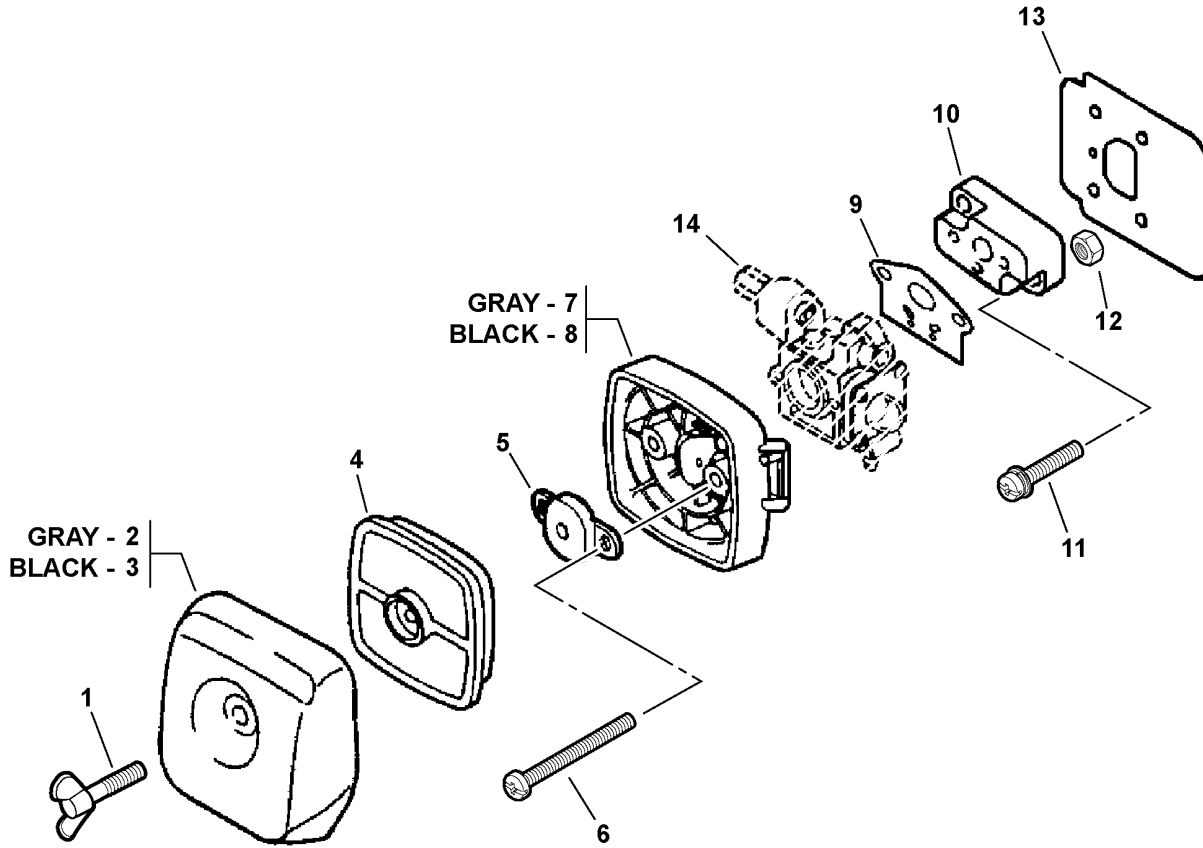
001 0018 000

ITEM	PART NUMBER	QTY	DESCRIPTION	REMARKS
1	A160000580	1	COVER, CYLINDER	
2	90023804012	2	SCREW 4X12	
3	A162000040	1	GUARD, TOP	
4	90025305016	1	SCREW 5X16	
5	90016304016	2	SCREW 4X16	
6	91107004008	1	SCREW 4X8	



003 0002 000

ITEM	PART NUMBER	QTY	DESCRIPTION	REMARKS
1	10150356630	1	FAN COVER ASY	
2	90014205028	2	BOLT 5X28	
3	90056550005	2	NUT 5	
4	16340003460	1	SWITCH, IGNITION	
5	90016304018	4	SCREW 4X18	
6	16381044330	1	BRACKET, SWITCH	
7	17500056830	1	CLUTCH ASY	

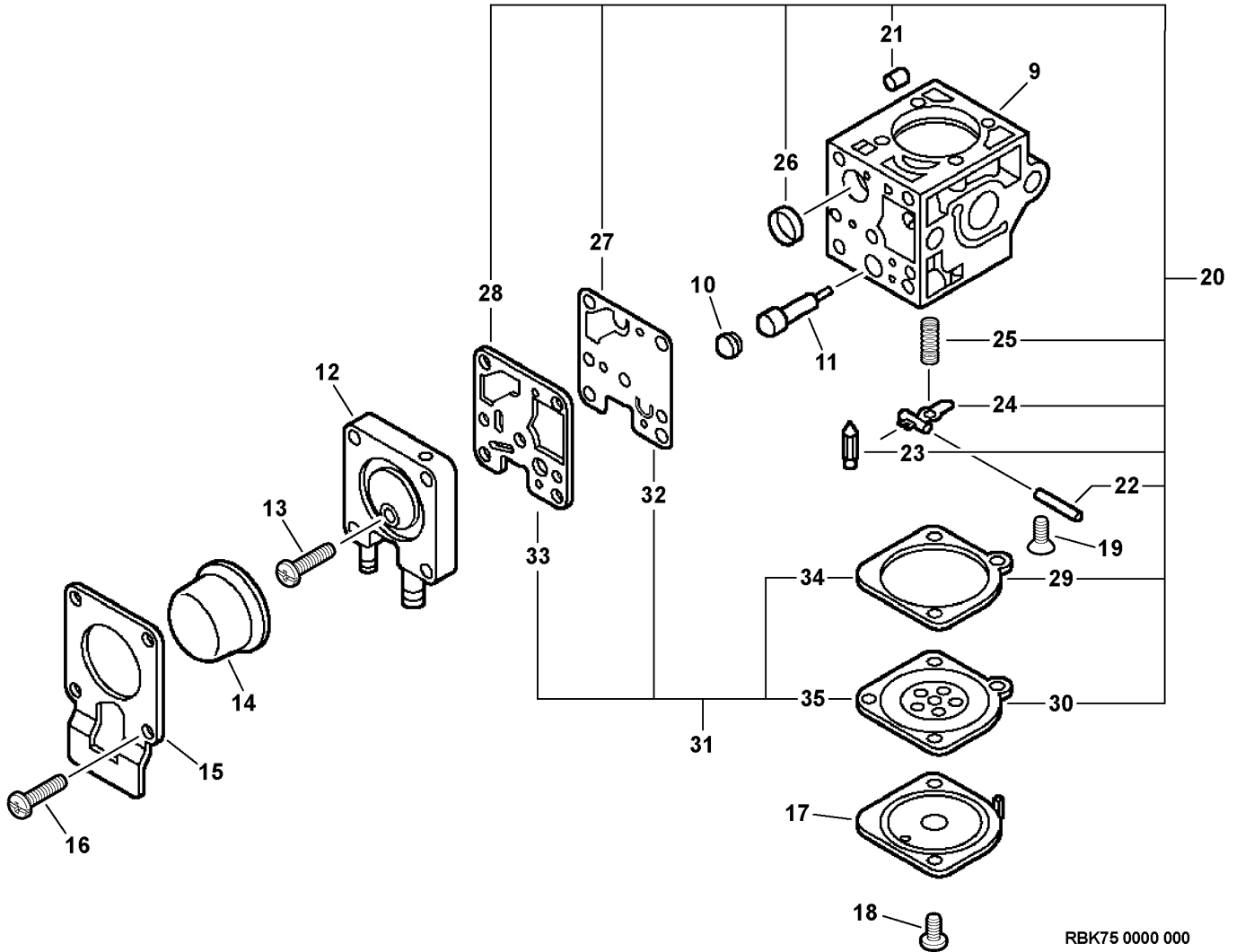
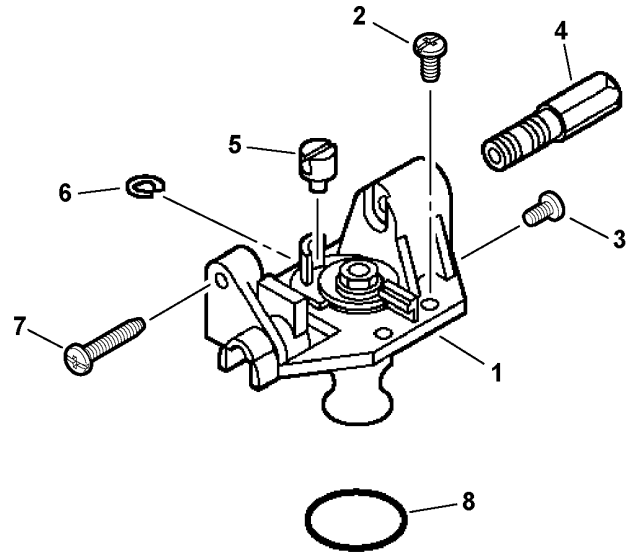


005 0025 000

ITEM	PART NUMBER	QTY	DESCRIPTION	REMARKS
1	21041752730	1	WING BOLT	
2	13031306563	1	LID, AIR CLEANER - GRAY	
3	13031305863	1	LID, AIR CLEANER - BLACK	
4	13031054130	1	FILTER, AIR ¹	
5	12901152730	1	PLATE, PREVENT	
6	90022005065	2	SCREW 5X65	
7	P021000991	1	CASE, AIR CLEANER - GRAY	
8	P021004480	1	CASE, AIR CLEANER - BLACK	
9	13001013410	1	GASKET, INTAKE ²	
10	13001744330	1	INSULATOR, INTAKE	
11	90023805020	2	SCREW 5X20	
12	90050000005	2	NUT 5	
13	13001042032	1	SHIELD, CYLINDER ²	
14	-----	1	CARBURETOR	See Carburetor Diagrams For Additional Information

Footnotes

- 1: Also Included In REPOWER TUNE-UP KIT
- 2: Also Included In GASKET KIT

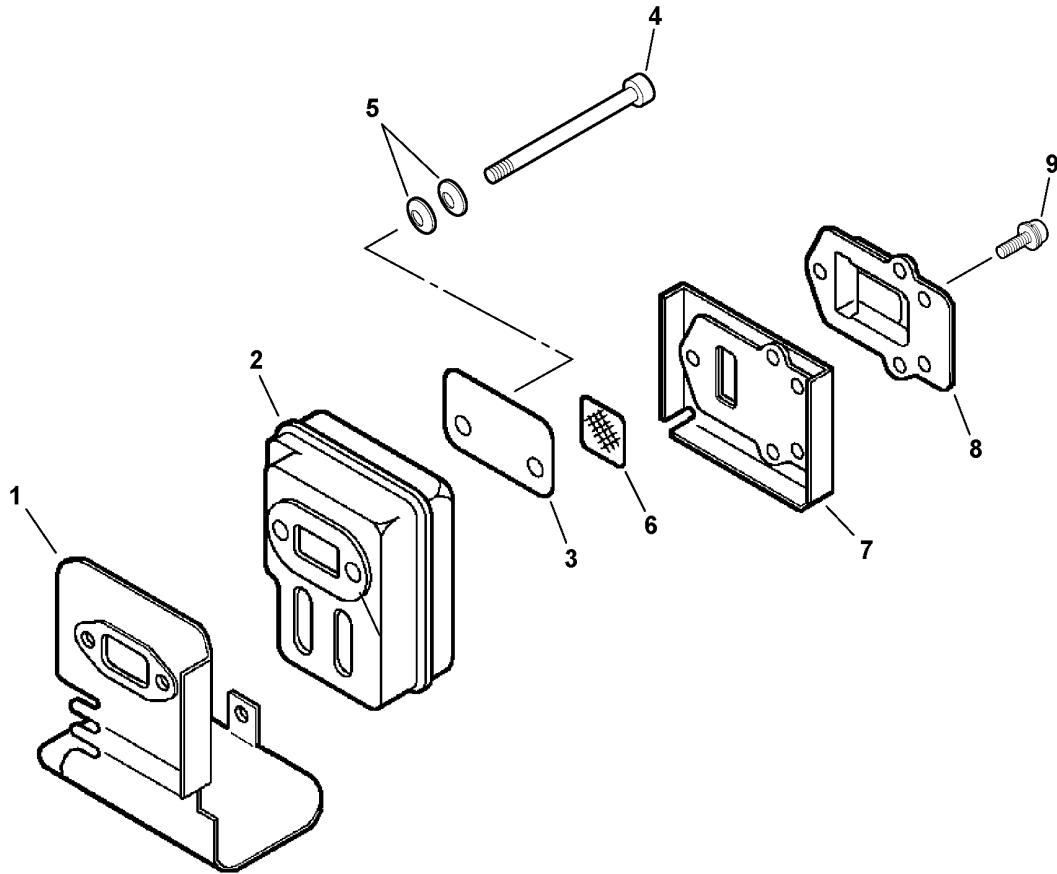


RBK75 0000 000

ITEM	PART NUMBER	QTY	DESCRIPTION	REMARKS
	A021000740	1	CARBURETOR -- RB-K75	
1	P005001320	1	ROTOR COVER ASY	
2	12534413931	3	SCREW, ROTOR COVER ASY	
3	12534452130	1	SCREW, ROTOR COVER	
4	P005001330	1	SCREW, CABLE ADJUST	
5	P005001240	1	SWIVEL	
6	P005000190	1	E-RING	
7	P005000100	1	SCREW, THROTTLE ADJUST	
8	P005000280	1	O-RING	
9	-----	1	BODY, CARBURETOR ¹	
10	P005001270	1	PLUG	
11	P005001260	1	NEEDLE - HIGH SPEED	
12	P005000930	1	PURGE BASE ASY	
13	P005000270	1	SCREW, PURGE BASE ASY	
14	12538108660	1	BULB, PURGE	
15	P005000250	1	RETAINER, PURGE BULB	
16	12531061830	4	SCREW, PURGE BULB RETAINER	
17	12534252130	1	COVER, DIAPHRAGM	
18	12534452130	3	SCREW, DIAPHRAGM COVER	
19	12533942030	1	SCREW, METERING LEVER PIN	
20	P005001670	1	REPAIR KIT	INCLUDES ITEMS 21-30
21	P005001000	1	ROLLER, GUIDE	
22	-----	1	PIN, METERING LEVER	
23	-----	1	VALVE, INLET NEEDLE	
24	-----	1	LEVER, METERING	
25	-----	1	SPRING, METERING LEVER	
26	-----	1	STRAINER	
27	-----	1	DIAPHRAGM, PUMP	
28	-----	1	GASKET, PUMP	
29	-----	1	GASKET, METERING	
30	-----	1	DIAPHRAGM, METERING	
31	P005001660	1	DIAPHRAGM/GASKET KIT	INCLUDES ITEMS 32-35
32	-----	1	DIAPHRAGM, PUMP	
33	-----	1	GASKET, PUMP	
34	-----	1	GASKET, METERING	
35	-----	1	DIAPHRAGM, METERING	

Footnotes

1: NOT AVAILABLE SEPARATELY

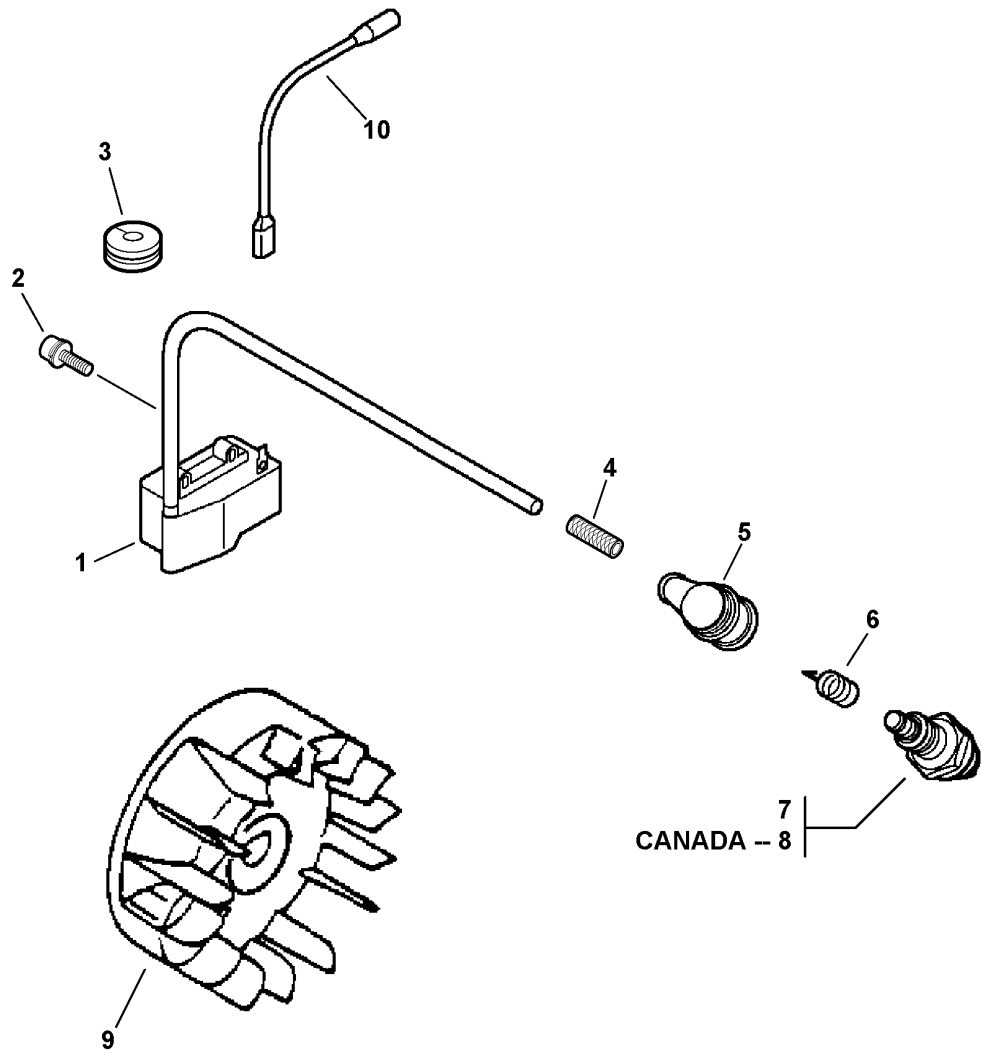


006 0012 000

ITEM	PART NUMBER	QTY	DESCRIPTION	REMARKS
1	V104000510	1	SHIELD, EXHAUST ¹	
2	A300000141	1	MUFFLER	
3	V150000371	1	PLATE, EYE	
4	90010505055	2	SCREW 5X55	
5	V347000000	4	CONICAL WASHER	
6	14586240630	1	SCREEN, MUFFLER	
7	V104000360	1	GASKET, EXHAUST ¹	
8	A313000600	1	GUIDE, EXHAUST	
9	9136704010	5	SCREW 4X10	

Footnotes

1: Also Included In GASKET KIT

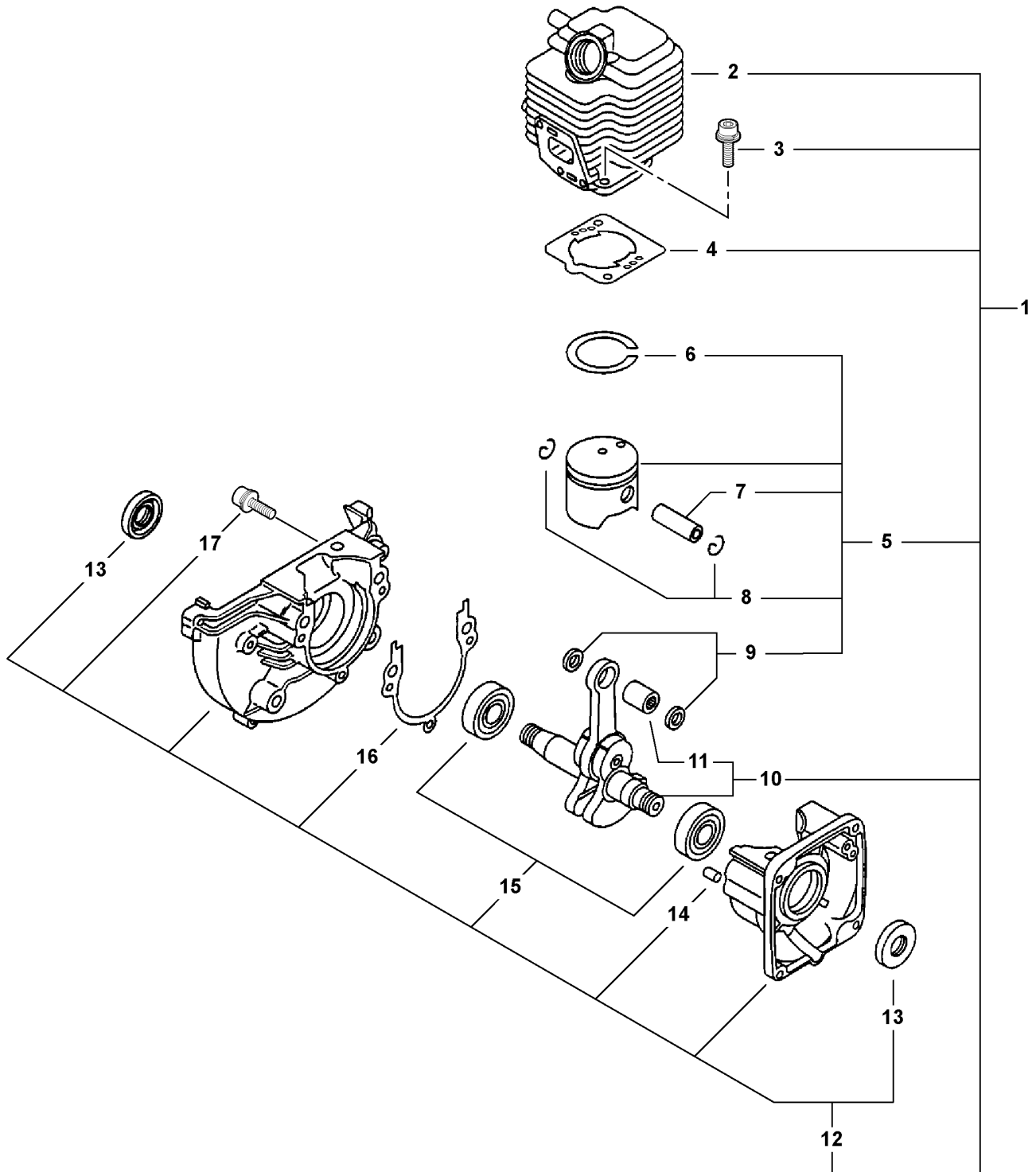


007 0030 000

ITEM	PART NUMBER	QTY	DESCRIPTION	REMARKS
1	A411000130	1	COIL, IGNITION	
2	90016204020	2	SCREW 4X20	
3	15011244330	1	GROMMET	
4	15611054930	1	TUBE	
5	15901201620	1	CAP, SPARK PLUG	
6	15901103432	1	TERMINAL, SPARK PLUG CAP	
7	15901019830	1	SPARK PLUG -- BPM-8Y ¹	
8	A425000000	1	SPARK PLUG -- BPMR-8Y ¹	CANADA MODELS
9	A409000210	1	FLYWHEEL	
10	V485000290	1	LEAD, GROUND	

Footnotes

1: Also Included In REPOWER TUNE-UP KIT

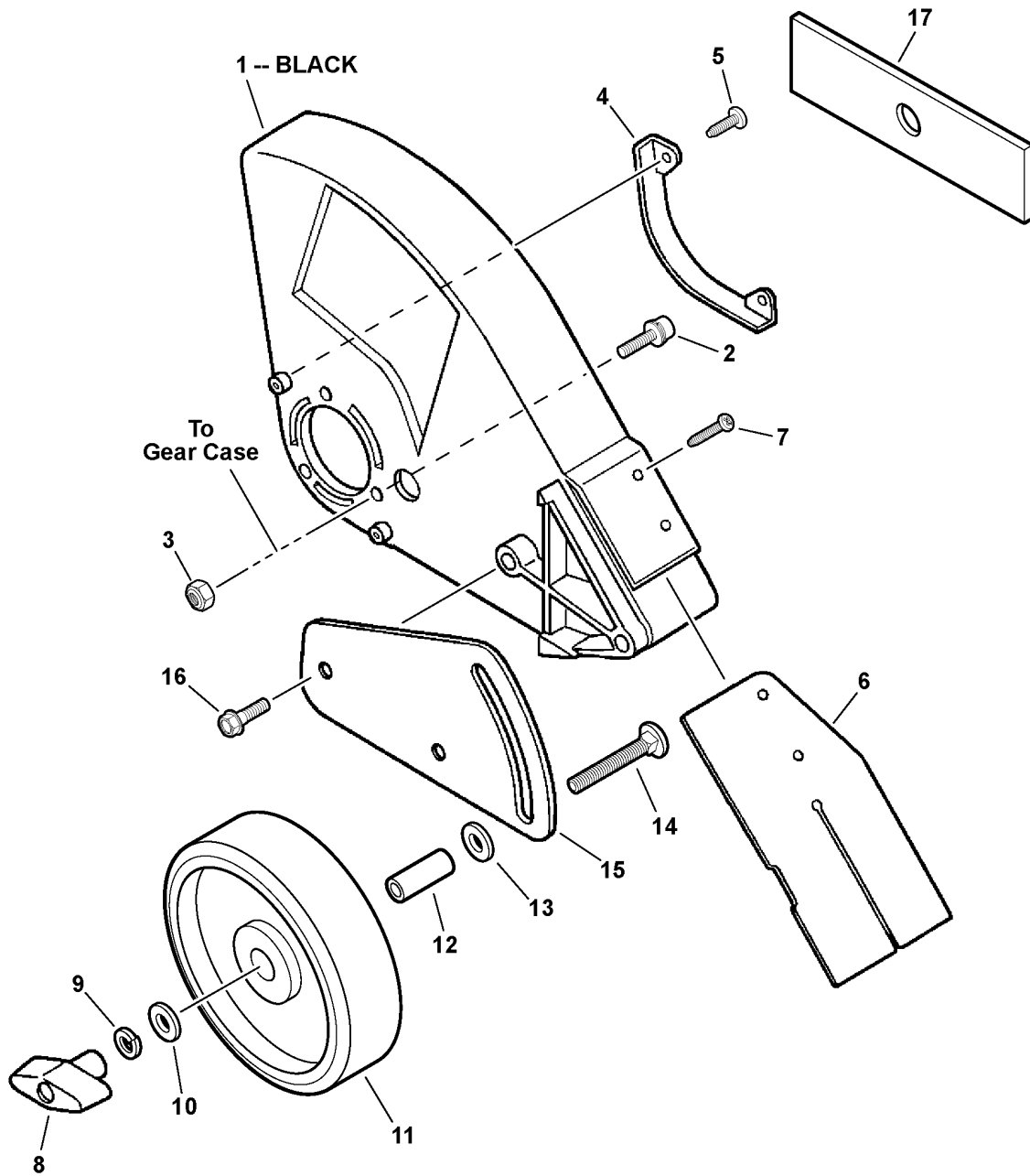


SB1072 0000 000

ITEM	PART NUMBER	QTY	DESCRIPTION	REMARKS
1	SB1072	1	SHORT BLOCK	INCLUDES ITEM 2-17
2	A130000540	1	CYLINDER	
3	90016205022	2	SCREW 5X22	
4	V100000160	1	GASKET, CYLINDER ¹	
5	P021007712	1	PISTON KIT	INCLUDES ITEMS 6-9
6	A101000090	1	RING, PISTON	
7	10001311520	1	PIN, PISTON	
8	10001504630	2	CIRCLIP, PISTON PIN	
9	10001411520	2	SPACER, PISTON PIN	
10	A011000101	1	CRANKSHAFT ASY	INCLUDES ITEM 11
11	V553000010	1	BEARING, NEEDLE	
12	10020452132	1	CRANKCASE KIT	INCLUDES ITEMS 13-17
13	10021242031	2	OIL SEAL	
14	V622000020	2	DOWEL PIN	
15	9403536201	2	BEARING, BALL	
16	10024242030	1	GASKET, CRANKCASE ¹	
17	90016205028	3	SCREW 5X28	

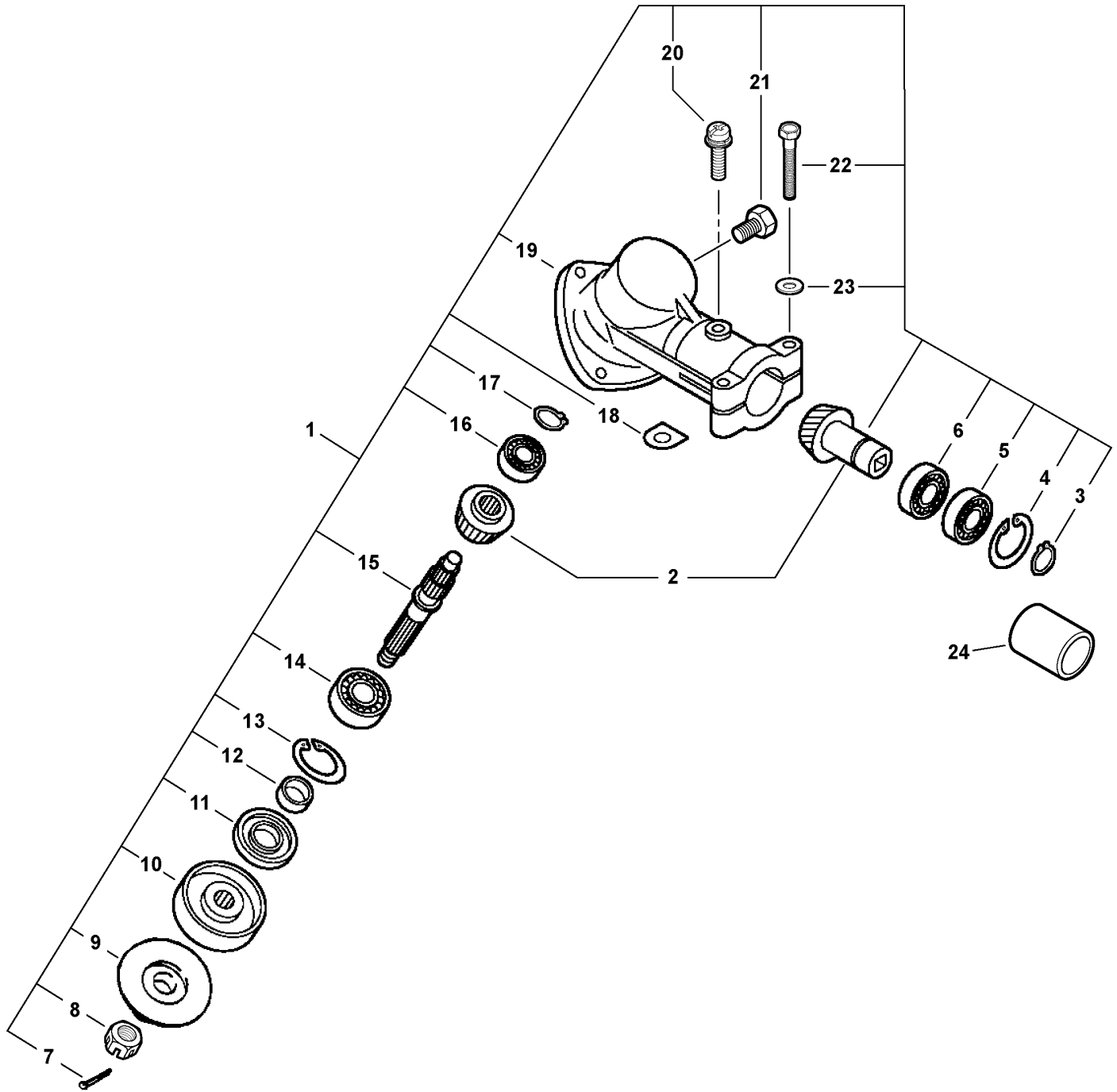
Footnotes

1: Also Included In GASKET KIT



034 0003 000

ITEM	PART NUMBER	QTY	DESCRIPTION	REMARKS
1	69901052830	1	SHIELD, BLADE	
2	90016205022	3	SCREW 5X22	
3	90056250005	3	LOCKNUT 5	
4	69902552630	1	PLATE, PROTECTION	
5	90008000300	2	SCREW 4X16	
6	69901755330	1	FLAP, DEBRIS	
7	90008000200	2	SCREW 4X20	
8	17811355330	1	WING NUT	
9	90060500008	1	SPRING WASHER 8	
10	90060200008	1	WASHER 8	
11	30241052631	1	WHEEL 6X1.5	
12	30242452630	1	COLLAR 12	
13	90060200010	1	WASHER 10	
14	61025055330	1	BOLT	
15	30202955330	1	BRACKET, WHEEL	
16	90008000100	2	SCREW 8	
17	69601552632	1	CUTTER BLADE	2 PER PACKAGE

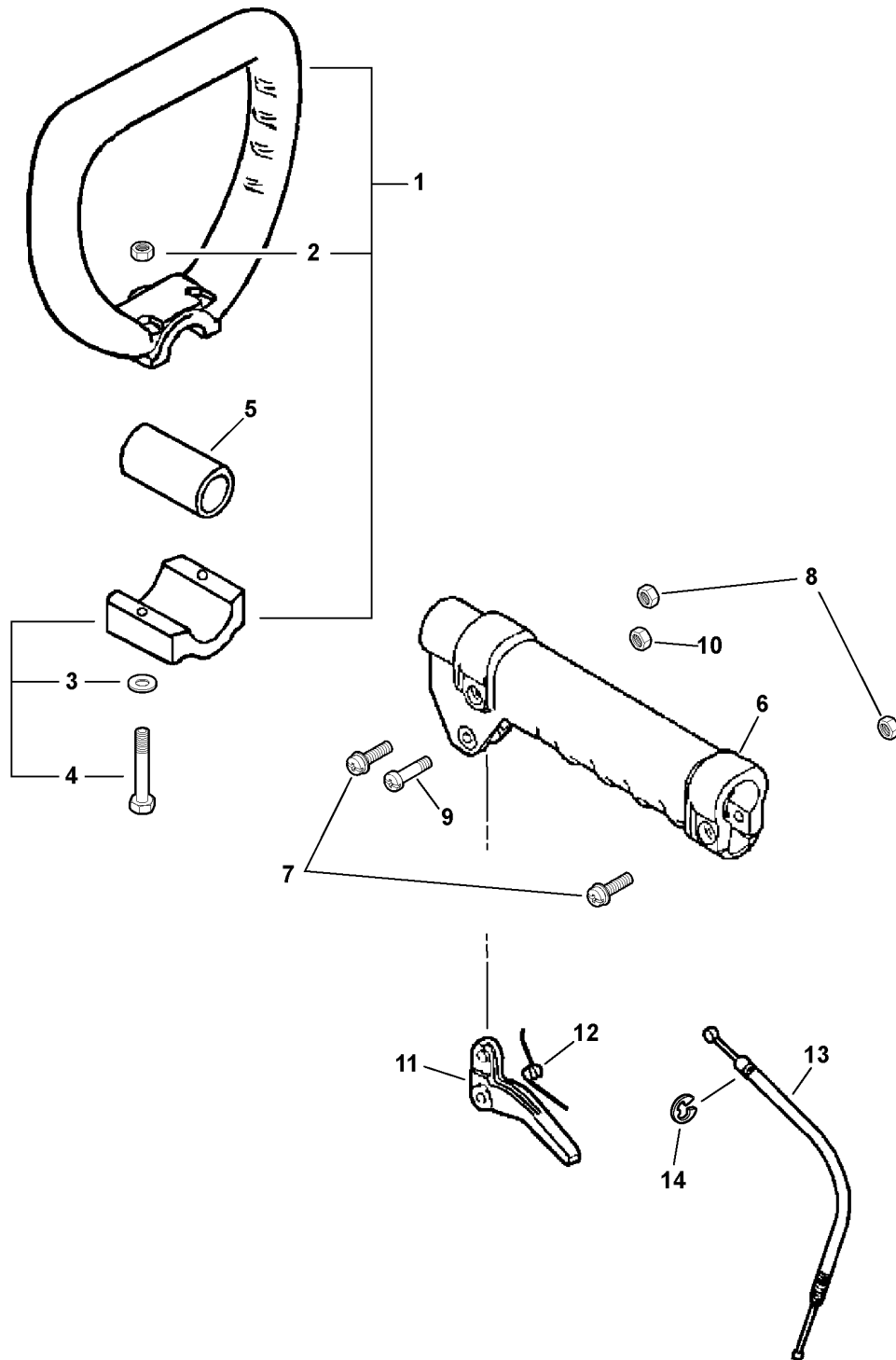


032 0013 000

ITEM	PART NUMBER	QTY	DESCRIPTION	REMARKS
1	61040252633	1	GEAR CASE ASY	INCLUDES ITEMS 2-23
2	61030052630	1	GEAR SET	
3	90070600010	1	CIRCLIP 10	
4	90070200022	1	CIRCLIP 22	
5	90085806900	1	BEARING, BALL	
6	90085506900	1	BEARING, BALL	
7	90030020022	1	SPLIT PIN 2X22 ¹	
8	90051300010	1	NUT - LEFT HAND	
9	C535000150	1	PLATE, ADAPTER - LOWER	
10	C535000140	1	PLATE, ADAPTER - UPPER	
11	61041307130	1	SEAL, OIL	
12	61031507130	1	SPACER	
13	90070200032	1	CIRCLIP 32	
14	9403536201	1	BEARING, BALL	
15	61036008931	1	SHAFT, P.T.O.	
16	90080000609	1	BEARING, BALL - 609	
17	90070600012	1	CIRCLIP 12	
18	61023904130	2	SHIM WASHER	
19	61046027431	1	HOUSING, GEAR	
20	90024205012	1	SCREW 5X12	
21	90010008008	1	BOLT 8X8	
22	90010005030	2	BOLT 5X30	
23	90060000005	2	WASHER 5	
24	61022555331	1	COLLAR	

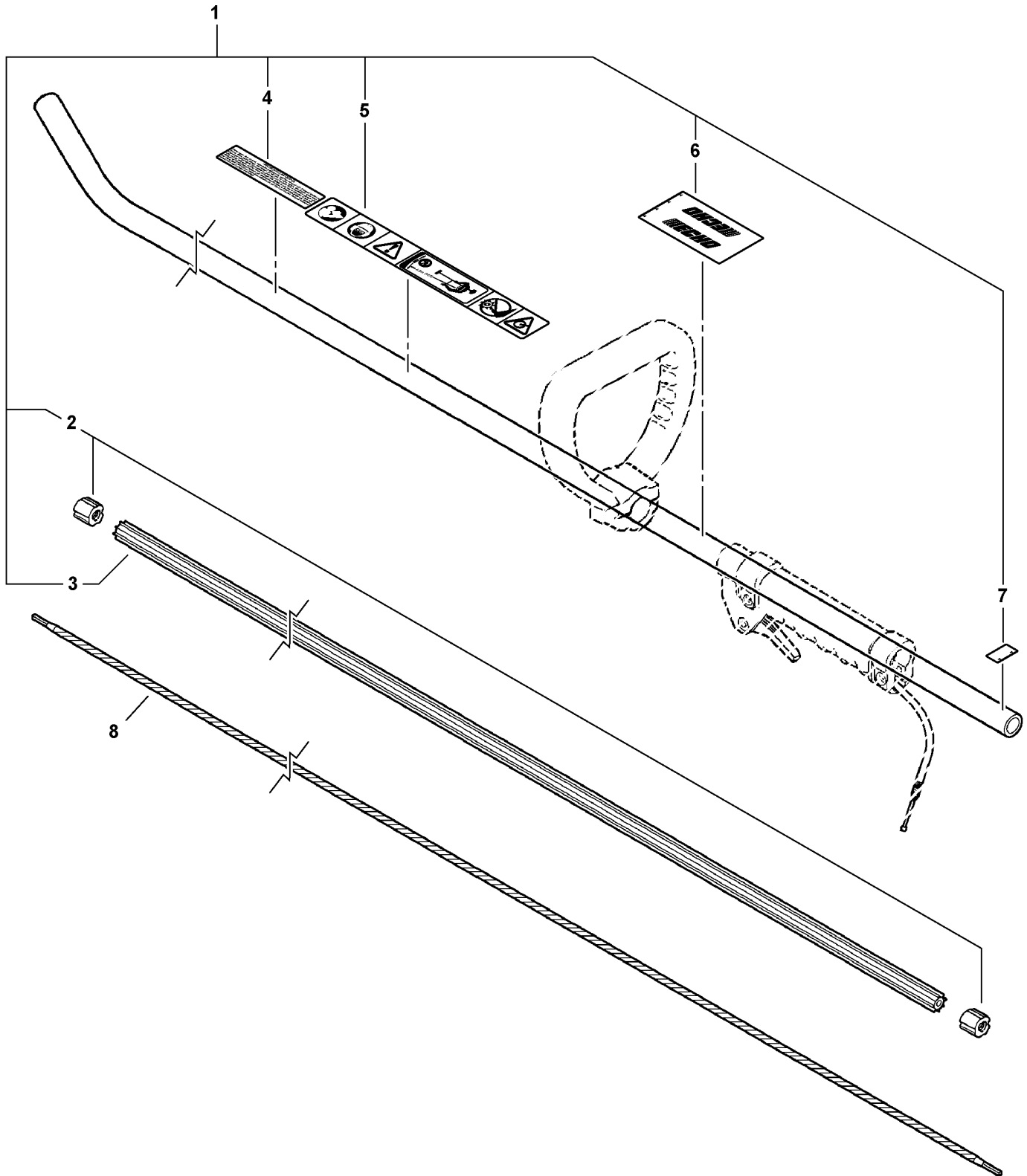
Footnotes

1: BULK OPTION: 89850201130 -10 PER PACKAGE



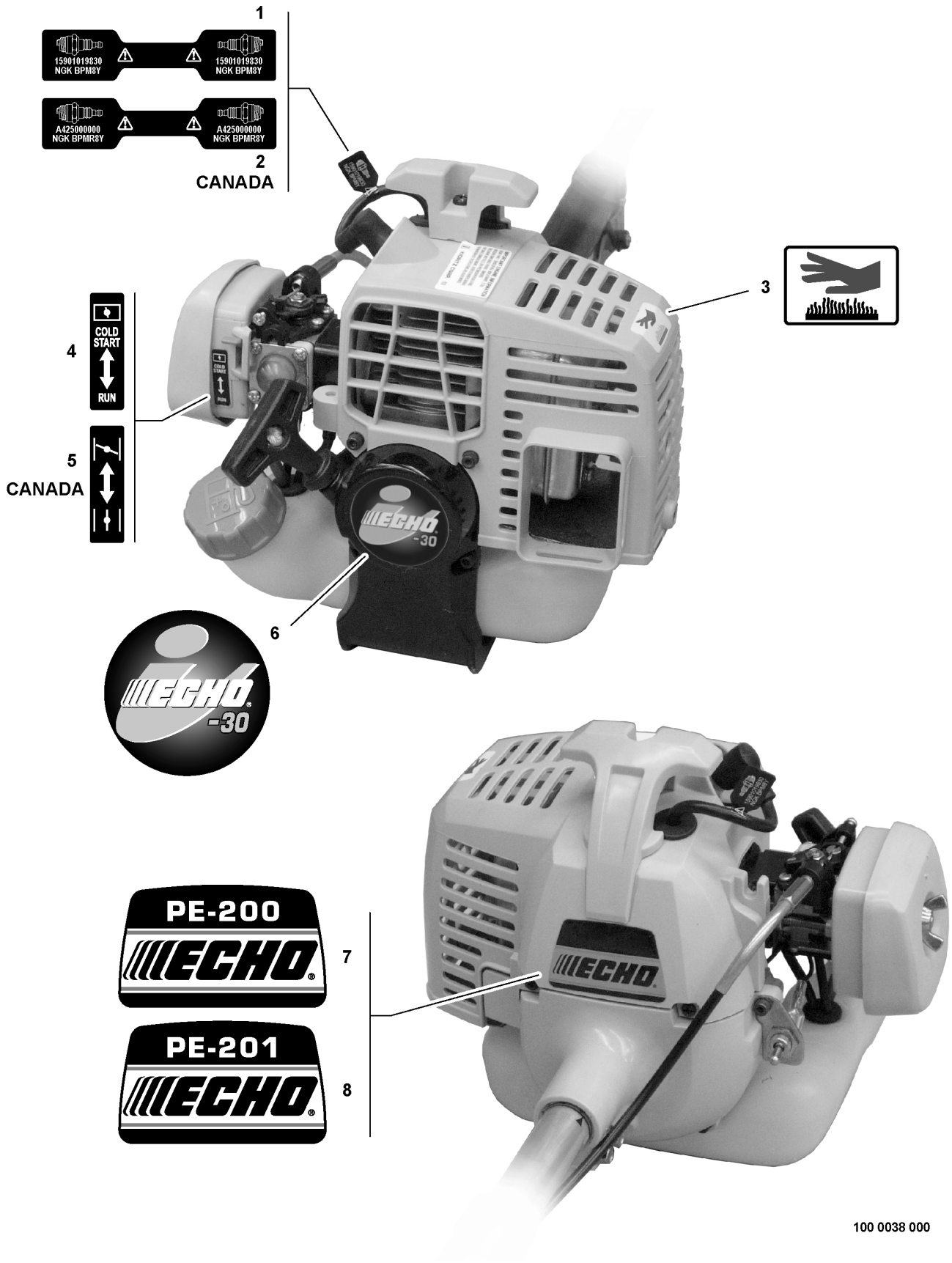
030 0020 000

ITEM	PART NUMBER	QTY	DESCRIPTION	REMARKS
1	35120108930	1	LOOP HANDLE ASY	INCLUDES ITEMS 2-4
2	90050000005	2	NUT 5	
3	90060000005	2	WASHER 5	
4	90022005040	2	SCREW 5X40	
5	35133008930	1	COLLAR	
6	35121344330	1	GRIP	
7	90024005025	2	SCREW 5X25	
8	90050000005	2	NUT 5	
9	17811005330	1	SCREW	
10	90056000005	1	LOCKNUT	
11	C450000070	1	TRIGGER, THROTTLE	
12	17804306930	1	SPRING, THROTTLE RETURN	
13	V430000671	1	CABLE, THROTTLE	
14	90070000005	1	E-RING 5	



031 0017 000

ITEM	PART NUMBER	QTY	DESCRIPTION	REMARKS
1	61020647730	1	MAIN PIPE ASY	INCLUDES ITEMS 2-7
2	61024655330	2	STOPPER	
3	61021755330	1	LINER, FLEXIBLE	
4	89016052631	1	LABEL, CAUTION	
5	89016025560	1	LABEL, CAUTION	
6	X505001930	1	LABEL - HANDLE LOCATION	
7	89015204930	1	LABEL - PIPE LOCATION	
8	61001344730	1	DRIVESHAFT, FLEXIBLE	



100 0038 000

PE-200 Power Edger

Labels

ITEM	PART NUMBER	QTY	DESCRIPTION	REMARKS
1	X532000671	1	LABEL, SPARK PLUG	
2	X532000720	1	LABEL, SPARK PLUG	CANADA MODELS
3	89016006361	1	LABEL, CAUTION - HOT	
4	89012152730	1	LABEL, CHOKE	
5	89033252730	1	LABEL, CHOKE	CANADA MODELS
6	X502000150	1	LABEL, i-30	
7	X543000200	1	LABEL, MODEL -- PE-200	
8	X503001400	1	LABEL, MODEL -- PE-201	

Use Gasket Kit	Contains:	Service Number	Description
P021010220		10024242030	GASKET, CRANKCASE
		13001013410	GASKET, INTAKE
		13001042032	GASKET, INTAKE
		14586642031	GASKET, EXHAUST
		V100000160	GASKET, CYLINDER
		V104000360	GASKET, EXHAUST
		V104000510	GASKET, EXHAUST

300 0008 000

<u>ITEM</u>	<u>PART NUMBER</u>	<u>QTY</u>	<u>DESCRIPTION</u>	<u>REMARKS</u>
1	P021010220	1	GASKET KIT	

RePower Kit

Description

Contains:

90074

TUNE-UP KIT

AIR FILTER

FUEL FILTER

SPARK PLUG

<u>ITEM</u>	<u>PART NUMBER</u>	<u>QTY</u>	<u>DESCRIPTION</u>	<u>REMARKS</u>
1	90074	1	TUNE-UP KIT	

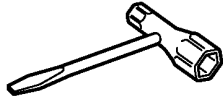
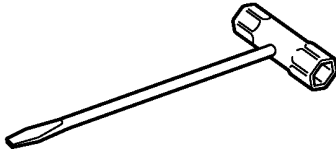
WRENCH W/SCREWDRIVER (Also Remove Spark Plugs)

1 - 89541010630 -- 17X19mm

2 - X602000020 -- 17X19mm

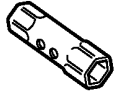
3 - 89541039131 -- 10X19mm

4 - 89541006960 -- 13X19mm



BOX WRENCH

5 - X602000031 -- 17X14.5mm



LOCKING BAR

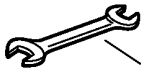
6 - 89751801131 -- 5X120mm



SPANNER

7 - 89511200330 -- 8X10mm

8 - 89512220960 -- 17X19mm



9 - 89501505260 -- 10mm



HEX BAR

10 - 89541220960 -- 10mm



L-WRENCH

11 - 89561203430 -- 3mm



12 - 89561000130 -- 4mm

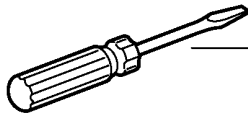


13 - 89561100330 -- 5mm

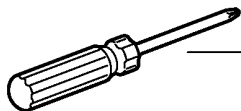


SCREWDRIVER

14 - 89581100130 -- 125mm



15 - 89581203930 -- 50mm



200 0001 000

ITEM	PART NUMBER	QTY	DESCRIPTION	REMARKS
1	89541010630	1	WRENCH/SCREWDRIVER -- 17X19mm	
2	X602000020	1	WRENCH/SCREWDRIVER -- 17X19mm	
3	89541039131	1	WRENCH/SCREWDRIVER -- 10X19mm	
4	89541006960	1	WRENCH/SCREWDRIVER -- 13X19mm	
5	X602000031	1	BOX WRENCH -- 17X14.5mm	
6	89751801131	1	LOCKING BAR -- 5X120mm	
7	89511200330	1	SPANNER -- 8X10mm	
8	89512220960	1	SPANNER -- 17X19mm	
9	89501505260	1	SPANNER -- 10mm	
10	89541220960	1	HEX BAR -- 10mm	
11	89561203430	1	L-WRENCH -- 3mm	
12	89561000130	1	L-WRENCH -- 4mm	
13	89561100330	1	L-WRENCH -- 5mm	
14	89581100130	1	SCREWDRIVER -- 125mm	
15	89581203930	1	SCREWDRIVER -- 50mm	



Part Number Index

Click The Page Number After Any Part Number To View The Diagram Containing That Part.

Part Number	Page	Part Number	Page	Part Number	Page
-----	13, 15	89033252730	31	C535000140	25
10001311520	21	89501505260	37	C535000150	25
10001411520	21	89511200330	37	P005000100	15
10001504630	21	89512220960	37	P005000190	15
10020452132	21	89541006960	37	P005000250	15
10021242031	21	89541010630	37	P005000270	15
10024242030	21	89541039131	37	P005000280	15
10150356630	11	89541220960	37	P005000930	15
12531061830	15	89561000130	37	P005001000	15
12533942030	15	89561100330	37	P005001240	15
12534252130	15	89561203430	37	P005001260	15
12534413931	15	89581100130	37	P005001270	15
12534452130	15	89581203930	37	P005001320	15
12538108660	15	89751801131	37	P005001330	15
12901152730	13	90008000100	23	P005001660	15
13001013410	13	90008000200	23	P005001670	15
13001042032	13	90008000300	23	P021000991	13
13001744330	13	90010005030	25	P021004480	13
13031054130	13	90010008008	25	P021007712	21
13031305863	13	90010505055	17	P021010220	33
13031306563	13	90014205028	11	P022002100	5
13100455530	7	90016204020	19	P022006510	5
13101655830	7	90016205020	7	P022006830	5
13105156030	7	90016205022	21, 23	P022006850	5
13120507320	7	90016205028	21	P022008260	5
13201256030	7	90016304016	5, 9	P022008270	5
13201309820	7	90016304018	11	P022008280	5
14586240630	17	90022005040	27	SB1072	21
15011244330	19	90022005065	13	V100000160	21
15611054930	19	90023804012	9	V104000360	17
15901019830	19	90023805020	13	V104000510	17
15901103432	19	90024005025	27	V137000030	7
15901201620	19	90024205012	25	V150000371	17
16340003460	11	90025305016	9	V347000000	17
16381044330	11	90030020022	25	V430000671	27
17500056830	11	90050000005	13, 27	V471001190	7
17722042030	5	90051300010	25	V471001200	7
17722742030	5	90056000005	27	V485000290	19
17722827030	5	90056250005	23	V553000010	21
17723661830	5	90056550005	11	V622000020	21
17724611120	5	90060000005	25, 27	X502000150	31
17804306930	27	90060200008	23	X503001400	31
17811005330	27	90060200010	23	X505001930	29
17811355330	23	90060300005	7	X532000671	31
21041752730	13	90060500008	23	X532000720	31
30202955330	23	90070000005	27	X543000200	31
30241052631	23	90070200022	25	X602000020	37
30242452630	23	90070200032	25	X602000031	37
35120108930	27	90070600010	25		
35121344330	27	90070600012	25		
35133008930	27	90074	35		
61001344730	29	90080000609	25		
61020647730	29	90085506900	25		
61021755330	29	90085806900	25		
61022555331	25	91107004008	9		
61023904130	25	9136704010	17		
61024655330	29	9403536201	21, 25		
61025055330	23	A011000101	21		
61030052630	25	A021000740	15		
61031507130	25	A051000680	5		
61036008931	25	A052000180	5		
61040252633	25	A101000090	21		
61041307130	25	A130000540	21		
61046027431	25	A160000580	9		
69601552632	23	A162000040	9		
69901052830	23	A300000141	17		
69901755330	23	A313000600	17		
69902552630	23	A350000690	7		
89012152730	31	A356000030	7		
89015204930	29	A409000210	19		
89016006361	31	A411000130	19		
89016025560	29	A425000000	19		
89016052631	29	C450000070	27		



Part Description Index

Click The Page Number After Any Part Description To View The Diagram Containing That Part.

B

BEARING, BALL.....21, 25
 BEARING, BALL - 609.....25
 BEARING, NEEDLE.....21
 BODY, CARBURETOR.....15
 BOLT.....23
 BOLT 5X28.....11
 BOLT 5X30.....25
 BOLT 8X8.....25
 BOX WRENCH -- 17X14.5mm.....37
 BRACKET, SWITCH.....11
 BRACKET, WHEEL.....23
 BULB, PURGE.....15

C

CABLE, THROTTLE.....27
 CAP, SPARK PLUG.....19
 CARBURETOR.....13
 CARBURETOR -- RB-K75.....15
 CASE, AIR CLEANER - BLACK.....13
 CASE, AIR CLEANER - GRAY.....13
 CIRCLIP 10.....25
 CIRCLIP 12.....25
 CIRCLIP 22.....25
 CIRCLIP 32.....25
 CIRCLIP, PISTON PIN.....21
 CLIP.....7
 CLIP, STARTER ROPE.....5
 CLUTCH ASY.....11
 COIL, IGNITION.....19
 COLLAR.....25, 27
 COLLAR 12.....23
 CONICAL WASHER.....17
 CONNECTOR, FUEL CAP.....7
 COVER, CYLINDER.....9
 COVER, DIAPHRAGM.....15
 CRANKCASE KIT.....21
 CRANKSHAFT ASY.....21
 CUTTER BLADE.....23
 CYLINDER.....21

D

DIAPHRAGM, METERING.....15
 DIAPHRAGM, PUMP.....15
 DIAPHRAGM/GASKET KIT.....15
 DOWEL PIN.....21
 DRIVESHAFT, FLEXIBLE.....29
 DRUM.....5

E

E-RING.....5, 15
 E-RING 5.....27

F

FAN COVER ASY.....11
 FILTER, AIR.....13
 FILTER, FUEL.....7
 FLAP, DEBRIS.....23
 FLYWHEEL.....19
 FUEL TANK CAP ASY.....7

G

GASKET KIT.....33
 GASKET, CRANKCASE.....21
 GASKET, CYLINDER.....21
 GASKET, EXHAUST.....17
 GASKET, FUEL CAP.....7
 GASKET, INTAKE.....13
 GASKET, METERING.....15
 GASKET, PUMP.....15
 GEAR CASE ASY.....25
 GEAR SET.....25
 GRIP.....27
 GRIP, STARTER.....5
 GROMMET.....7, 19
 GUARD, TOP.....9
 GUIDE, EXHAUST.....17
 GUIDE, ROPE.....5

H

HEX BAR -- 10mm.....37
 HOUSING, GEAR.....25

I

INSULATOR, INTAKE.....13

L

LABEL - HANDLE LOCATION.....29
 LABEL - PIPE LOCATION.....29
 LABEL, CAUTION.....29
 LABEL, CAUTION - HOT.....31
 LABEL, CHOKE.....31
 LABEL, i-30.....31
 LABEL, MODEL -- PE-200.....31
 LABEL, MODEL -- PE-201.....31
 LABEL, SPARK PLUG.....31
 LEAD, GROUND.....19
 LEVER, METERING.....15
 LID, AIR CLEANER - BLACK.....13
 LID, AIR CLEANER - GRAY.....13
 LINER, FLEXIBLE.....29
 LOCKING BAR -- 5X120mm.....37
 LOCKNUT.....27
 LOCKNUT 5.....23
 LOOP HANDLE ASY.....27
 L-WRENCH -- 3mm.....37
 L-WRENCH -- 4mm.....37
 L-WRENCH -- 5mm.....37

M

MAIN PIPE ASY.....29
 MUFFLER.....17

N

NEEDLE - HIGH SPEED.....15
 NUT - LEFT HAND.....25
 NUT 5.....11, 13, 27

O

OIL SEAL.....21
 O-RING.....15

P

PAWL, STARTER.....5
 PIN, METERING LEVER.....15
 PIN, PISTON.....21
 PIPE, FUEL - 3X5X180mm.....7
 PIPE, RETURN - 3X6X80mm.....7
 PIPE, VENT - 3X5X70mm.....7
 PISTON KIT.....21
 PLATE, ADAPTER - LOWER.....25
 PLATE, ADAPTER - UPPER.....25
 PLATE, CAM.....5
 PLATE, EYE.....17
 PLATE, PREVENT.....13
 PLATE, PROTECTION.....23
 PLUG.....15
 PURGE BASE ASY.....15

R

REPAIR KIT.....15
 RETAINER, PURGE BULB.....15
 RING, PISTON.....21
 ROLLER, GUIDE.....15
 ROPE, STARTER - 3X700mm.....5
 ROTOR COVER ASY.....15

S

SCREEN, MUFFLER.....17
 SCREW.....5, 27
 SCREW 4X10.....17
 SCREW 4X12.....9
 SCREW 4X16.....5, 9, 23
 SCREW 4X18.....11
 SCREW 4X20.....19, 23
 SCREW 4X8.....9
 SCREW 5X12.....25
 SCREW 5X16.....9
 SCREW 5X20.....7, 13
 SCREW 5X22.....21, 23
 SCREW 5X25.....27
 SCREW 5X28.....21
 SCREW 5X40.....27
 SCREW 5X55.....17
 SCREW 5X65.....13
 SCREW 8.....23
 SCREW, CABLE ADJUST.....15
 SCREW, DIAPHRAGM COVER.....15
 SCREW, METERING LEVER PIN.....15
 SCREW, PURGE BASE ASY.....15
 SCREW, PURGE BULB RETAINER.....15
 SCREW, ROTOR COVER.....15
 SCREW, ROTOR COVER ASY.....15
 SCREW, THROTTLE ADJUST.....15
 SCREWDRIVER -- 125mm.....37
 SCREWDRIVER -- 50mm.....37
 SEAL, OIL.....25
 SHAFT, P.T.O.....25
 SHIELD, BLADE.....23
 SHIELD, CYLINDER.....13
 SHIELD, EXHAUST.....17
 SHIM WASHER.....25
 SHORT BLOCK.....21
 SPACER.....25
 SPACER, PISTON PIN.....21
 SPANNER -- 10mm.....37



Part Description Index (continued)

SPANNER -- 17X19mm.....37
SPANNER -- 8X10mm.....37
SPARK PLUG -- BPM-8Y.....19
SPARK PLUG -- BPMR-8Y.....19
SPLIT PIN 2X22.....25
SPRING WASHER 8.....23
SPRING, DAMPER.....5
SPRING, METERING LEVER.....15
SPRING, PAWL RETURN.....5
SPRING, REWIND.....5
SPRING, THROTTLE RETURN.....27
STARTER ASY.....5
STARTER PAWL ASY.....5
STOPPER.....29
STRAINER.....15
SWITCH, IGNITION.....11
SWIVEL.....15

T

TANK, FUEL.....7
TERMINAL, SPARK PLUG CAP.....19
TRIGGER, THROTTLE.....27
TUBE.....19
TUNE-UP KIT.....35

V

VALVE, INLET NEEDLE.....15
VENT ASY.....7

W

WASHER 10.....23
WASHER 5.....7, 25, 27
WASHER 8.....23
WHEEL 6X1.5.....23
WING BOLT.....13
WING NUT.....23
WRENCH/SCREWDRIVER -- 10X19mm.....37
WRENCH/SCREWDRIVER -- 13X19mm.....37
WRENCH/SCREWDRIVER -- 17X19mm.....37

NOTES



ECHO, INCORPORATED

400 Oakwood Road
Lake Zurich, IL 60047 USA

WWW.ECHO-USA.COM
