

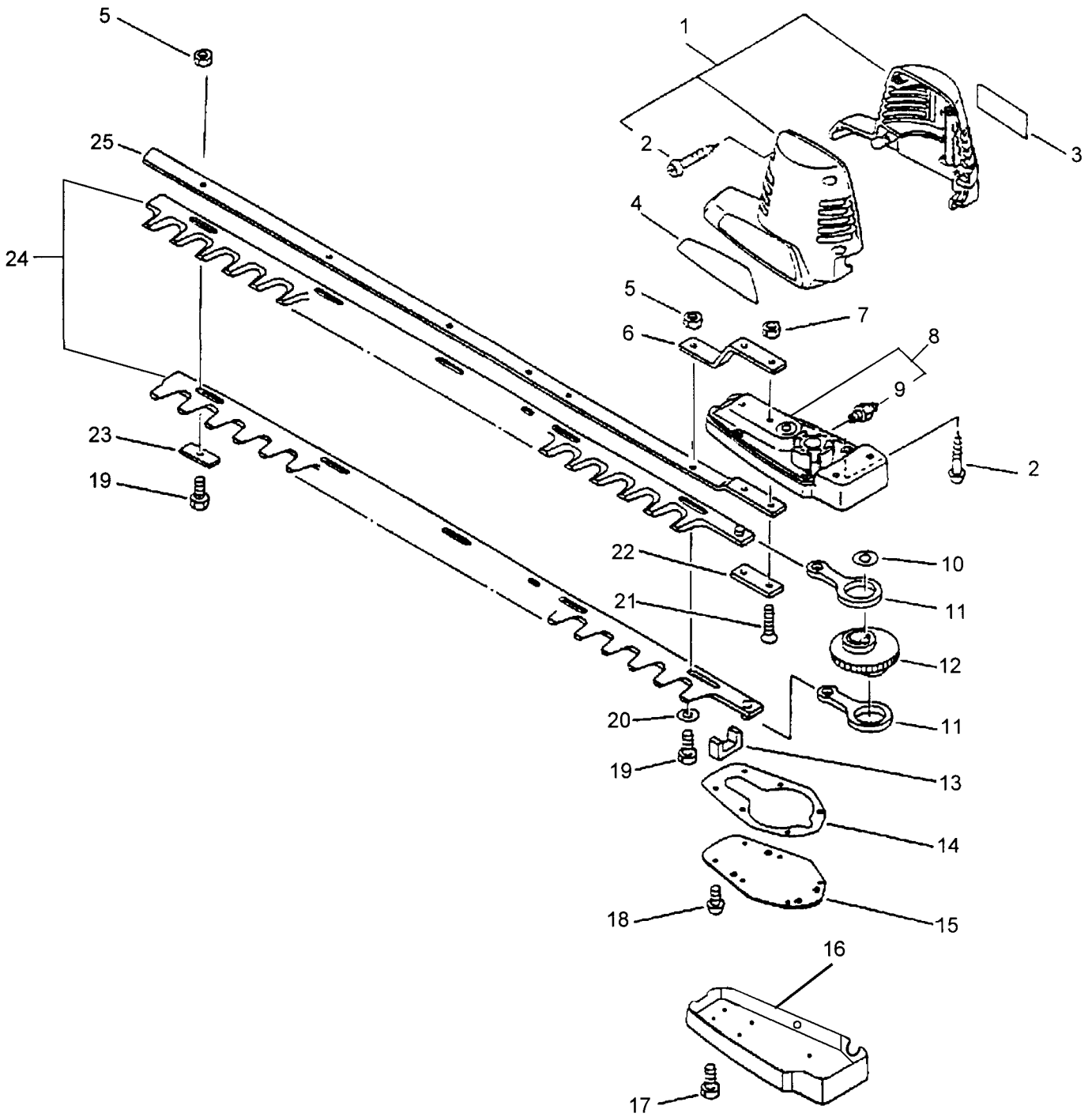


**BATTERY
HEDGE CLIPPER
MODEL DHC-3000
SERIAL NUMBER 001001 & UP**

**ECHO, INCORPORATED
400 OAKWOOD ROAD
LAKE ZURICH, IL 60047**

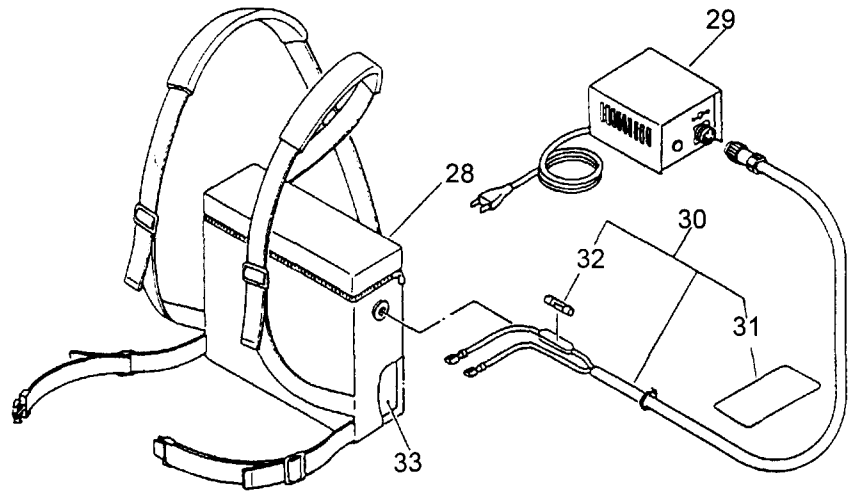
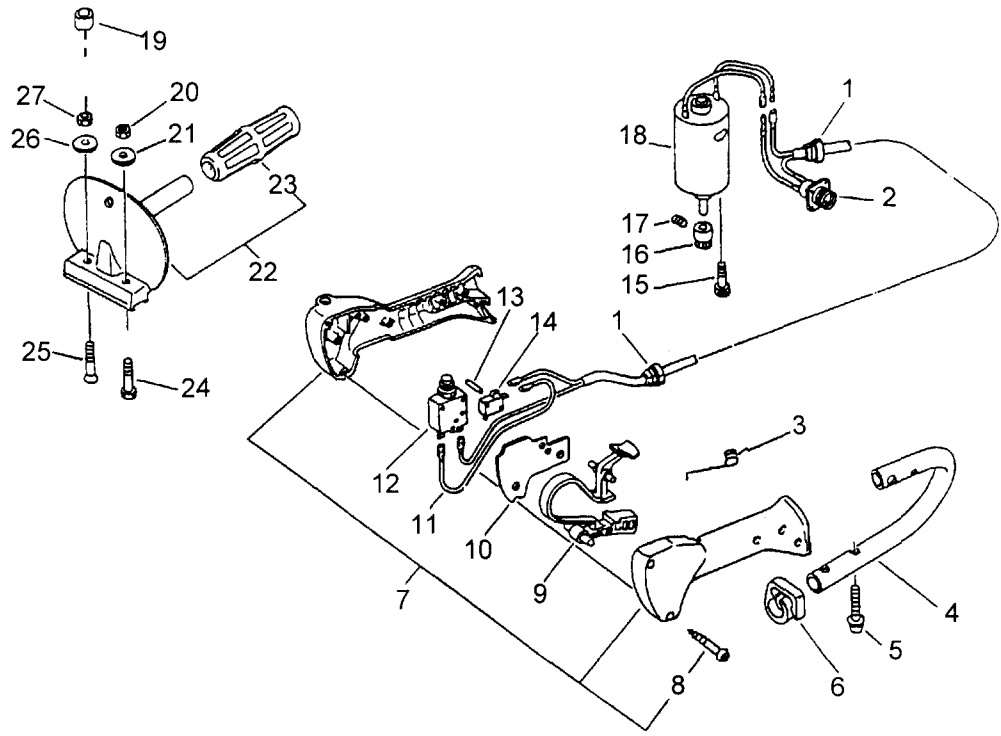
99922202707
3/28/96

DHC-3000



KEY	PART NUMBER	QTY	DESCRIPTION	REMARKS
1	16100420060	1	MOTOR CASE KIT	INCLUDES ITEM 2
2	90025604022	4	SCREW 4X22	
3	89016009960	1	LABEL, CAUTION	
4	89015120060	1	LABEL, MODEL	
5	43302206460	4	LOCKNUT 6	
6	69912007260	1	PLATE, ANGLE	
7	90050000006	2	NUT 6	
8	61041009960	1	CASE, GEAR	INCLUDES ITEM 9
9	88011010860	1	NIPPLE, GREASE	
10	61035004560	1	WASHER 8.2X30X0.2	
11	61033004560	2	ROD, CONNECTING	
12	61031204560	1	GEAR, SPUR	
13	61042504560	1	SEAL, FELT	
14	61041409960	1	GASKET, GEAR CASE	
15	61041109960	1	LID, GEAR CASE	
16	66002009960	1	COVER, GEAR CASE	
17	90023804016	5	SCREW 4X16	
18	90023804012	4	SCREW 4X12	
19	69911504660	4	BOLT 6	
20	69911804560	4	WASHER	
21	90021206025	2	SCREW 6X25	
22	61044004560	1	PLATE, FRAME	
23	69921302062	1	PLATE, ANGLE	
24	69700020060	1	CUTTER SET	
25	69911020060	1	SUPPORT, CUTTER	

DHC-3000



KEY	PART NUMBER	QTY	DESCRIPTION	REMARKS
1	16391509960	2	GROMMET, CABLE	
2	16208309960	1	HARNESS, WIRE	
3	16331109960	1	SPRING	
4	35121009960	1	HANDLE, REAR	
5	90023805025	2	SCREW 5X25	
6	15911209960	1	CLIP	
7	35110209960	1	GRIP, HANDLE SET	INCLUDES ITEM 8
8	90025604022	5	SCREW 4X22	
9	17801009960	1	CONTROL, THROTTLE	
10	16392509960	1	PLATE, PARTITION	
11	16201009960	1	LEAD	
12	16392009960	1	PROTECTOR, CIRCUIT	
13	10092409960	2	PIN, STRAIGHT	
14	16340020060	1	SWITCH, IGNITION	
15	90016205030	2	BOLT, H.S. 5X30	
16	61031209960	1	GEAR, SPUR	
17	90017104005	1	SCREW, SET 4X5	
18	16100020060	1	MOTOR ASY	
19	35161720060	1	INSERT, FRONT HANDLE	
20	90056000006	1	LOCKNUT 6	
21	35124920060	1	WASHER	
22	35120020060	1	HANDLE ASY	INCLUDES ITEM 23
23	35101209960	1	GRIP, FRONT HANDLE	
24	69911505360	1	BOLT, CUTTER	
25	90021205030	1	SCREW 5X30	
26	13034632430	1	WASHER 5	
27	90056000005	1	LOCKNUT 5	
	99945100020	1	BATTERY ASY	INCLUDES ITEMS 29 - 34
28	16931020060	1	CASE, BATTERY	
29	16130020060	1	CHARGER	
30	16208020060	1	HARNESS, WIRE	
31	89017820060	1	LABEL, CAUTION	
32	16202909960	1	FUSE	
33	16002020060	1	BATTERY	