



**BRUSHCUTTER/TRIMMER**

**PARTS CATALOG**

**MODEL SRM-2301**

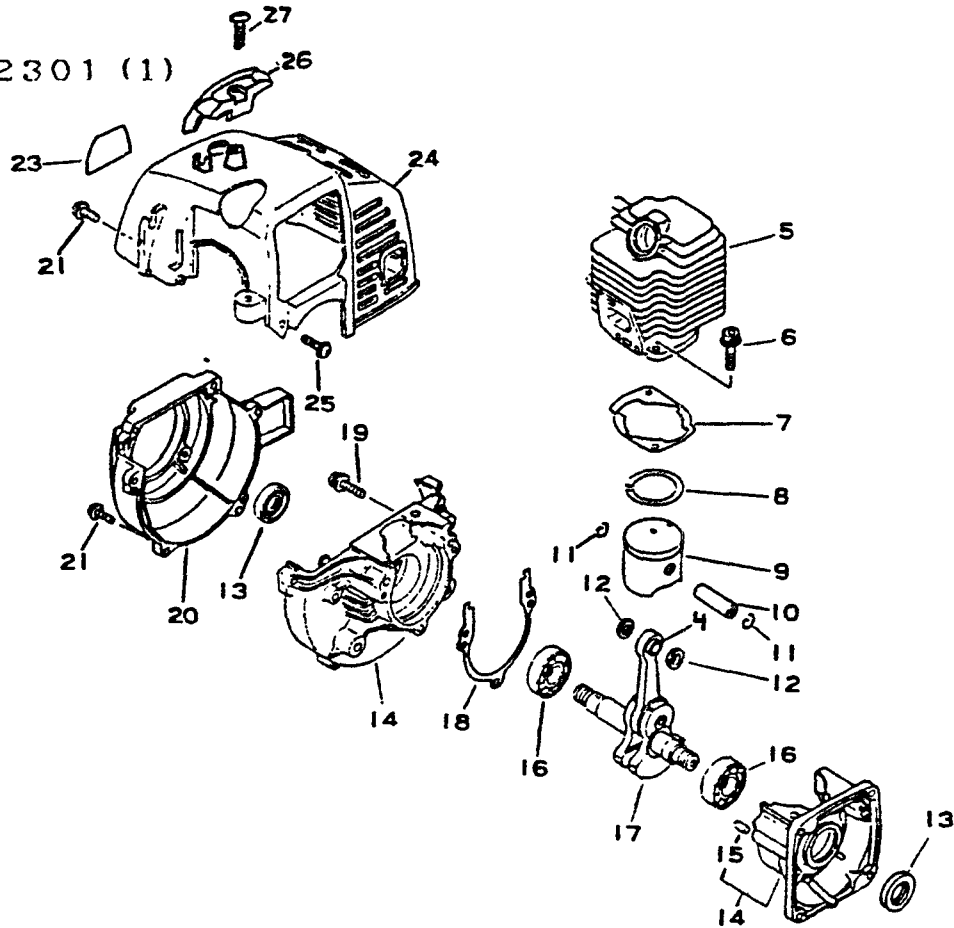
**MODEL SRM-2310**

**SERIAL NUMBER 001001 - 0031000**

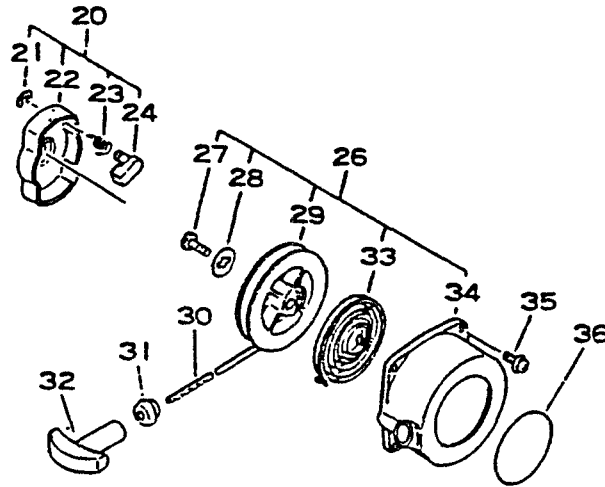
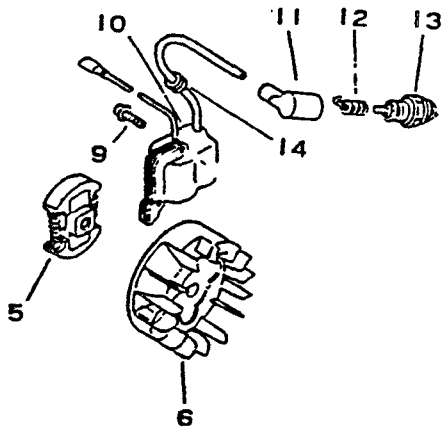
**ECHO, INCORPORATED**  
**400 OAKWOOD ROAD - LAKE ZURICH, IL 60047**

SRM-2301 (1)

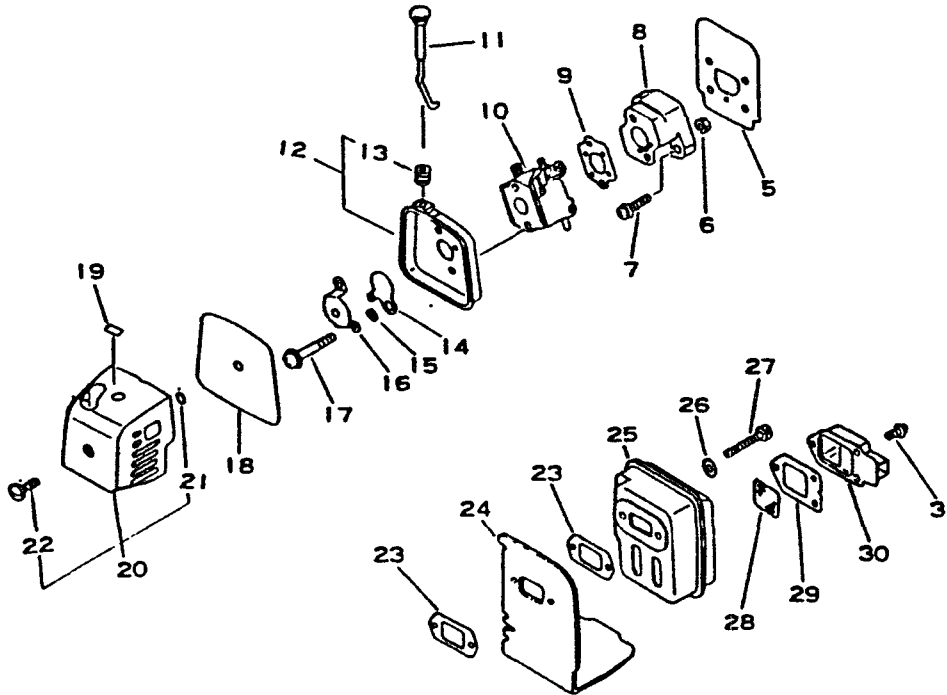
A 2



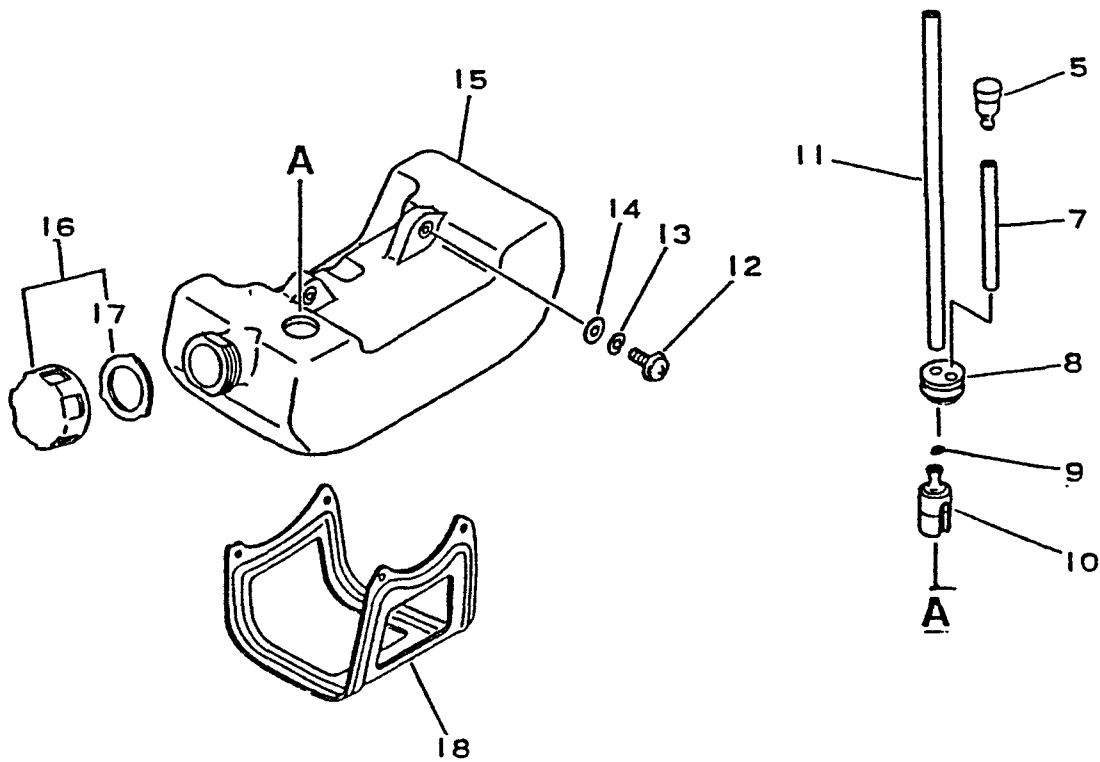
KEY LV	PART NUMBER	Q'TY	DESCRIPTION	APPLICATION	REMARKS	INF. NR
5	101011-47630	1	CYLINDER			
6	900162-05022	2	BOLT, H.S. 5#22			
*7		1	GASKET, CYL. BASE		USE KIT	
8	100011-05330	1	RING, PISTON			
9	100010-44330	1	PISTON			
10	100013-11520	1	PIN, PISTON			
11	100015-04630	2	CIRCLIP, PISTON PIN			
12	100014-11520	2	SPACER, PISTON PIN			
13	100212-42030	2	OILSEAL			
14	100200-42030	1	CRANKCASE SET			
15	+ 100215-03930	2	PIN, DOWEL			
16	900810-36201	2	BEARING, BALL 6201			
17	100100-44730	1	CRANKSHAFT ASSEMBLY	(INC. 100012-11520, # 4)		
*18		1	GASKET, CRANKCASE		USE KIT	
19	900238-05028	3	SCREW 5#28			
20	101511-44730	1	COVER, FAN			
21	900238-04016	6	SCREW 4#16			
23	890112-47630	1	LABEL, MODEL			
24	101514-44430	1	COVER, CYLINDER			
25	900238-04012	2	SCREW 4#12			
26	159912-44530	1	GUARD, TOP			
27	900253-05016	1	SCREW 5#16			
4	100012-11520	1	BEARING, NEEDLE			
*	GASKET KIT, P/N 889000-44630					



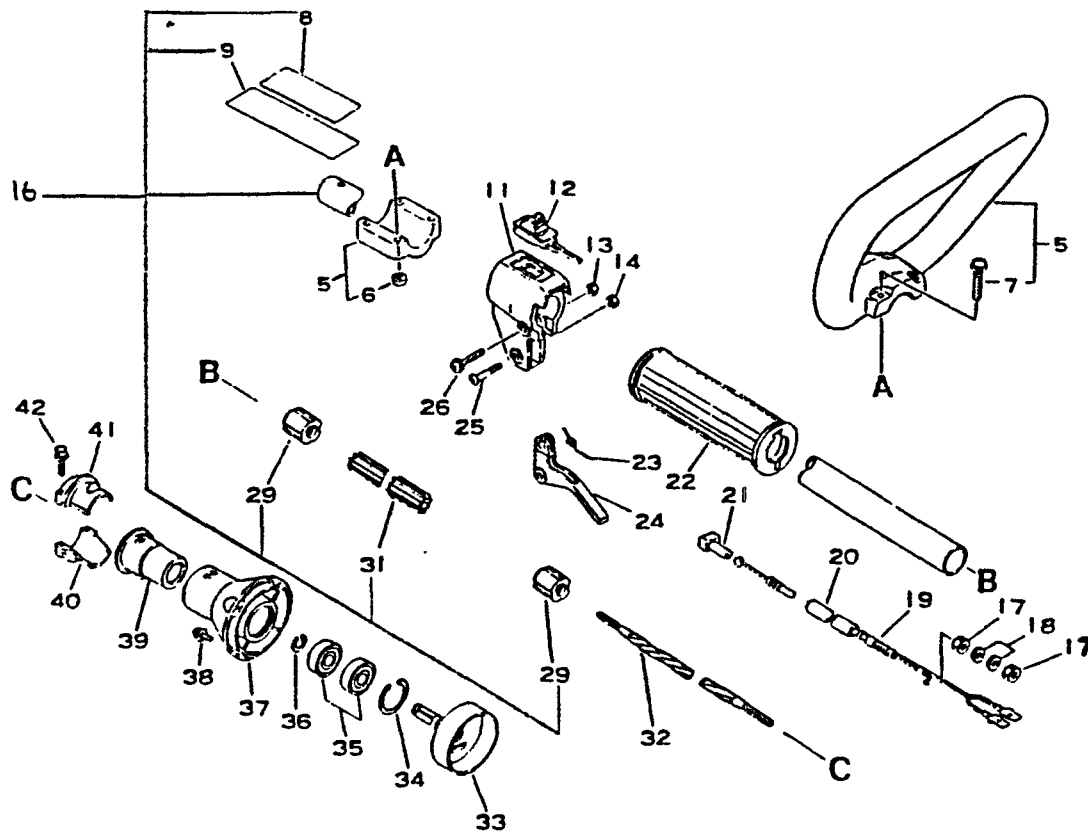
KEY LV	PART NUMBER	Q'TY	DESCRIPTION	APPLICATION	REMARKS	INF. NR
5	175000-42030	1	CLUTCH ASSEMBLY			
6	156801-44730	1	FLYWHEEL			
9	900238-04022	2	SCREW 4#22			
10	156601-44730	1	COIL, IGNITION			
11	159012-01620	1	CAP, SPARK PLUG			
12	159011-03432	1	COIL, SPARK PLUG CAP			
13	159017-13930	1	PLUG, SPARK (CJ-7Y)			
14	150112-44330	1	BUSHING			
20	177202-42030	1	PAWL ASM., STARTER			
21	+ 900700-00004	1	E-RING 4			
22	+ 177210-42030	1	CATCHER, PAWL			
23	+ 177234-42030	1	SPRING, RETURN			
24	+ 177218-42030	1	PAWL, STARTER			
26	177200-42030	1	STARTER ASSEMBLY			
27	+ 177236-40630	1	SCREW			
28	+ 177214-42030	1	WASHER			
29	+ 177215-42030	1	DRUM, STARTER			
30	+ 177226-05530	1	ROPE, STARTER			
31	+ 177227-42030	1	GUIDE, ROPE			
32	+ 177228-06530	1	GRIP, STARTER			
33	+ 177220-42030	1	SPRING, REWIND			
34	+ 177232-42030	1	CASE, STARTER			
35	900238-04016	2	SCREW 4#16			
36	890118-44330	1	LABEL, ECHO			



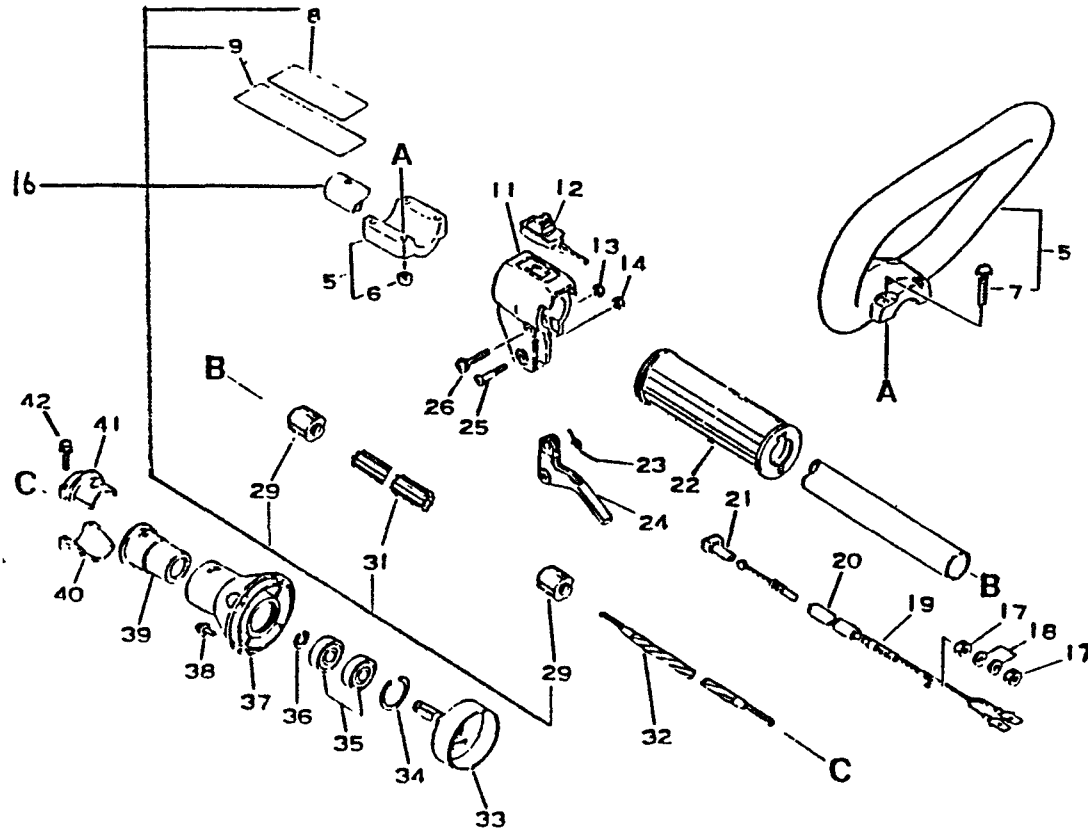
KEY	LV	PART NUMBER	Q'TY	DESCRIPTION	APPLICATION	REMARKS	INF. NR
		5	1	GASKET, INTAKE			
		6	2	NUT 5			
		7	2	SCREW 5#20			
		8	1	INSULATOR			
		9	1	GASKET, INTAKE			
		10	1	CARBURETOR ASSEMBLY			
		11	1	ROD, CHOKE			
		12	1	CASE, AIR CLEANER			
		13	+	GROMMET, CHOKE			
		14	1	SHUTTER, CHOKE			
		15	1	SPACER			
		16	1	BRACKET, AIR CLEANER			
		17	2	SCREW 5#57			
		18	1	FILTER, AIR			
		19	1	LABEL, CHOKE			
		20	1	COVER ASSY, AIR CLN			
		21	+	O-RING 4			
		22	+	SCREW			
*		23	2	GASKET, MUFFLER			
		24	1	COVER, MUFFLER			
*		25	1	MUFFLER ASSY			
*		28	1	SCREEN, MUFFLER			
*		29	1	GASKET, MUFFLER LID			
*		30	1	HOLDER, SCREEN			
*		31	3	SCREW 4#10			
		26	2	WASHER 5			
		27	2	BOLT, H.S. 5#55			
*		IN MUFFLER ASSEMBLY, P/N 145800-47630					



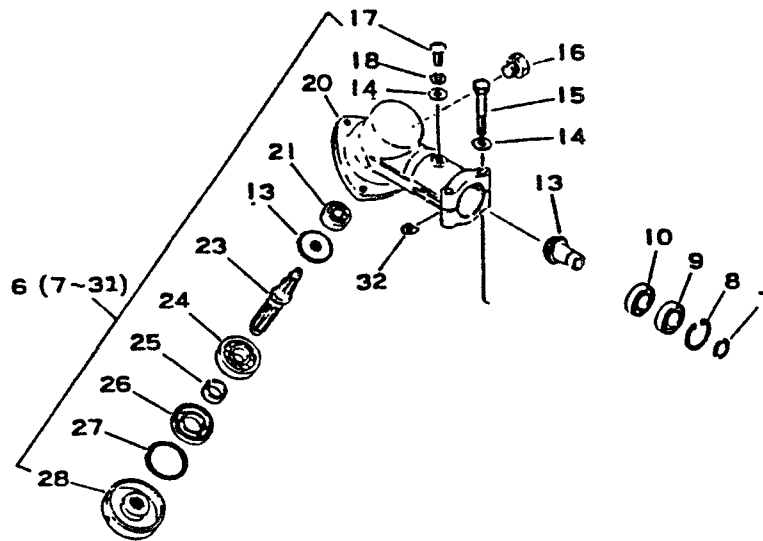
KEY LV	PART NUMBER	Q'TY	DESCRIPTION	APPLICATION	REMARKS	INF. NR
5	131300-40630	1	VENT ASSEMBLY			
7	132010-44330	1	PIPE 3*5* 70			
8	132115-44330	1	GROMMET			
9	132013-09820	1	CLIP			
10	131205-07320	1	STRAINER, FUEL			
11	132010-13930	1	PIPE, FUEL			
12	900220-05016	2	SCREW 5*16			
13	900605-00005	2	WASHER, SPRING 5			
14	900603-00005	2	WASHER 5			
15	131005-44430	1	TANK, FUEL			
16	131004-40930	1	CAP ASS'Y, FUEL TANK			
17	+ 131016-40930	1	GASKET, F. TANK CAP			
18	305110-42030	1	STAND			



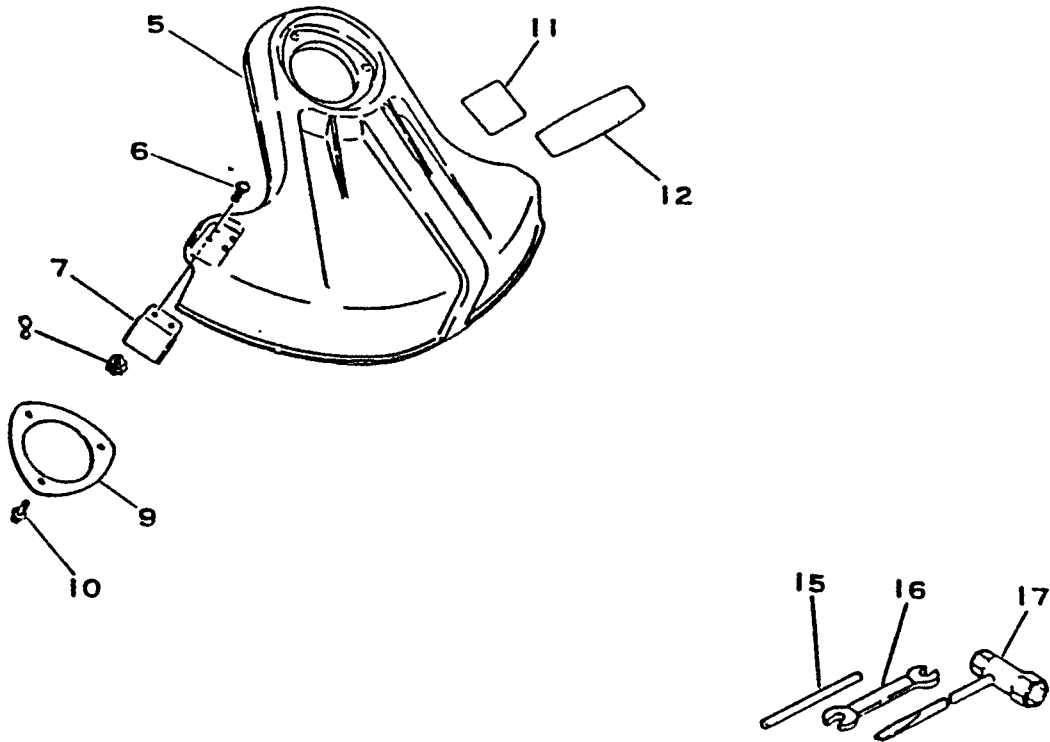
KEY LV	PART NUMBER	Q'TY	DESCRIPTION	APPLICATION	REMARKS	INF. NR
5	351201-40830	1	HANDLE ASSY, LOOP			
6	+ 900500-00005	4	NUT 5			
7	+ 900242-05035	4	SCREW 5#35			
11	178024-44730	1	BRACKET, THROTTLE			
12	163400-44430	1	SWITCH, IGNITION			
13	900500-00005	1	NUT 5			
14	433020-00830	1	LOCKNUT 5			
17	900502-00006	2	NUT 6 #3			
18	900600-00006	2	WASHER 6			
19	178001-44430	1	WIRE, THROTTLE			
20	178127-24030	1	TUBE			
21	178048-05630	1	HOLDER, THR. WIRE			
22	351012-40930	1	GRIP, HANDLE			
23	178043-06930	1	SPRING, THR. RETURN			
24	178010-05631	1	CONTROL, THROTTLE			
25	178110-05330	1	SCREW			
26	900242-05030	1	SCREW 5#30			
16	610609-47630	1	HOUSING ASS'Y D. SHAFT			
8	-890160-47630	1	LABEL, CAUTION			
9	-890160-44430	1	LABEL, CAUTION			
29	-610246-44730	2	STOPPER			
31	-610217-44730	1	LINER FLEXIBLE			



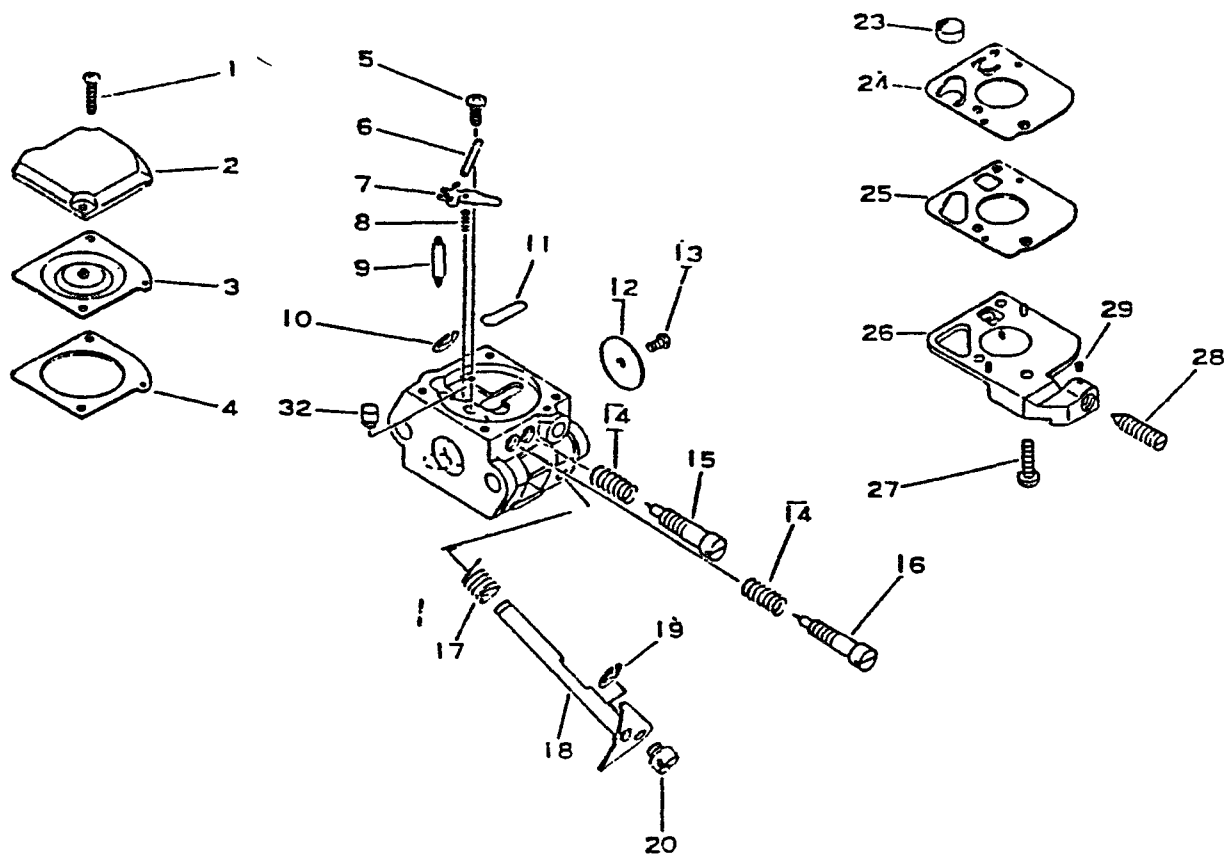
KEY LV	PART NUMBER	Q'TY	DESCRIPTION	APPLICATION	REMARKS	INF. NR
32	610013-44730	1	SHAFT, FLEXIBLE			
33	175005-44730	1	DRUM, CLUTCH			
34	900702-00028	1	CIRCLIP 28			
35	900808-06001	2	BEARING, BALL 6001			
36	900701-00012	1	CIRCLIP 12			
37	610223-44730	1	FLANGE, D.S. HOUSING			
38	900238-05016	4	SCREW 5#16			
39	610910-27832	1	CUSHION			
40	610923-27432	1	HOLDER			
41	610922-27432	1	HOLDER			
42	900142-05025	2	BOLT 5#25			



KEY	LV	PART NUMBER	Q'TY	DESCRIPTION	APPLICATION	REMARKS	INF. NR
6		610402-47730	1	HOUSING ASSY, GEAR			
7	+	900706-00012	1	CIRCLIP 12			
8	+	900702-00022	1	CIRCLIP 22			
9	+	900858-06900	1	BEARING, BALL 6900			
10	+	900855-06900	1	BEARING, BALL 6900			
13	+	610300-44830	1	GEAR SET, BEVEL			
14	+	900600-00005	3	WASHER 5			
15	+	900100-05035	2	BOLT 5*35			
16	+	900100-08008	1	BOLT 8*8			
17	+	900220-05010	1	SCREW 5*10			
18	+	900605-00005	1	WASHER, SPRING 5			
20	+	610460-27430	1	HOUSING, GEAR			
21	+	900800-00609	1	BEARING, BALL 609			
23	+	610360-08931	1	SHAFT, P.T.O.			
24	+	900810-06201	1	BEARING, BALL 6201			
25	+	610315-07130	1	SPACER			
26	+	610413-07130	1	OILSEAL			
27	+	900702-00032	1	CIRCLIP 32			
28	+	610313-47730	1	PLATE, ADAPTER (U)			
32	+	610239-04130	2	WASHER, SHIM			



KEY	LV	PART NUMBER	Q'TY	DESCRIPTION	APPLICATION	REMARKS	INF. NR
5	+	699009-40830	1	SHIELD			
6	+	900242-05016	2	SCREW 5#16			
7	+	699016-44330	1	KNIFE, CORD			
8		900500-00006	2	NUT 6			
9	+	699018-40830	1	BRACKET, SHIELD			
10	+	900242-05016	3	SCREW 5#16			
11	++	890168-44830	1	LABEL, CAUTION			
12		890138-44330	1	LABEL, ECHO			
15		897518-01131	1	LOCKING TOOL			
16		895112-00330	1	SPANNER 8#10			
17		895410-08030	1	WRENCH, W/S-DRIVER			
		699004-40930	1	SHIELD ASS'Y		INCLUDES KEYS 5 THRU 11	



KEY	LV	PART NUMBER	Q'TY	DESCRIPTION	APPLICATION	REMARKS	INF. NR
		125200-47630	1	CARBURETOR ASSEMBLY			
1	+	125344-13931	2	SCREW			
2	+	125342-15130	1	COVER, DIAPHRAGM			
3	+	125341-42030	1	DIAPHRAGM			
4	+	125340-11520	1	GASKET, DIAPHRAGM			
5	+	125339-42030	1	SCREW			
6	+	125338-13930	1	PIN,			
7	+	125323-42030	1	LEVER, METERING CHAM			
8	+	125322-42030	1	SPRING, COIL			
9	+	125337-13930	1	VALVE, NEEDLE			
10	+	125327-15130	1	CLIP			
11	+	125345-15130	1	PLUG, WELCH			
12	+	125316-42030	1	VALVE, THROTTLE			
13	+	125314-13930	1	SCREW			
14	+	125319-42030	2	SPRING, COIL			
15	+	125320-47630	1	NEEDLE, HIGH SPEED			
16	+	125308-42030	1	NEEDLE, IDLE			
17	+	125303-42030	1	SPRING, THRT. RETURN			
18	+	125307-42030	1	SHAFT, THROTTL			
19	+	125327-13930	1	CLIP			
20	+	125372-42030	1	SWIVEL			
23	+	125326-42030	1	STRAINER			
24	+	125312-42030	1	DIAPHRAGM, FUEL PUMP			
25	+	125325-42030	1	GASKET, FUEL PUMP			
26	+	125324-42030	1	COVER, PUMP			
27	+	125310-42030	2	SCREW			
28	+	125334-13930	1	SCREW, IDLE ADJUST			
29	+	125378-13930	1	PIECE, FRICTION			
32	+	125376-11610	1	NOZZLE, CHECK VALVE			