

DGK125FP Generator

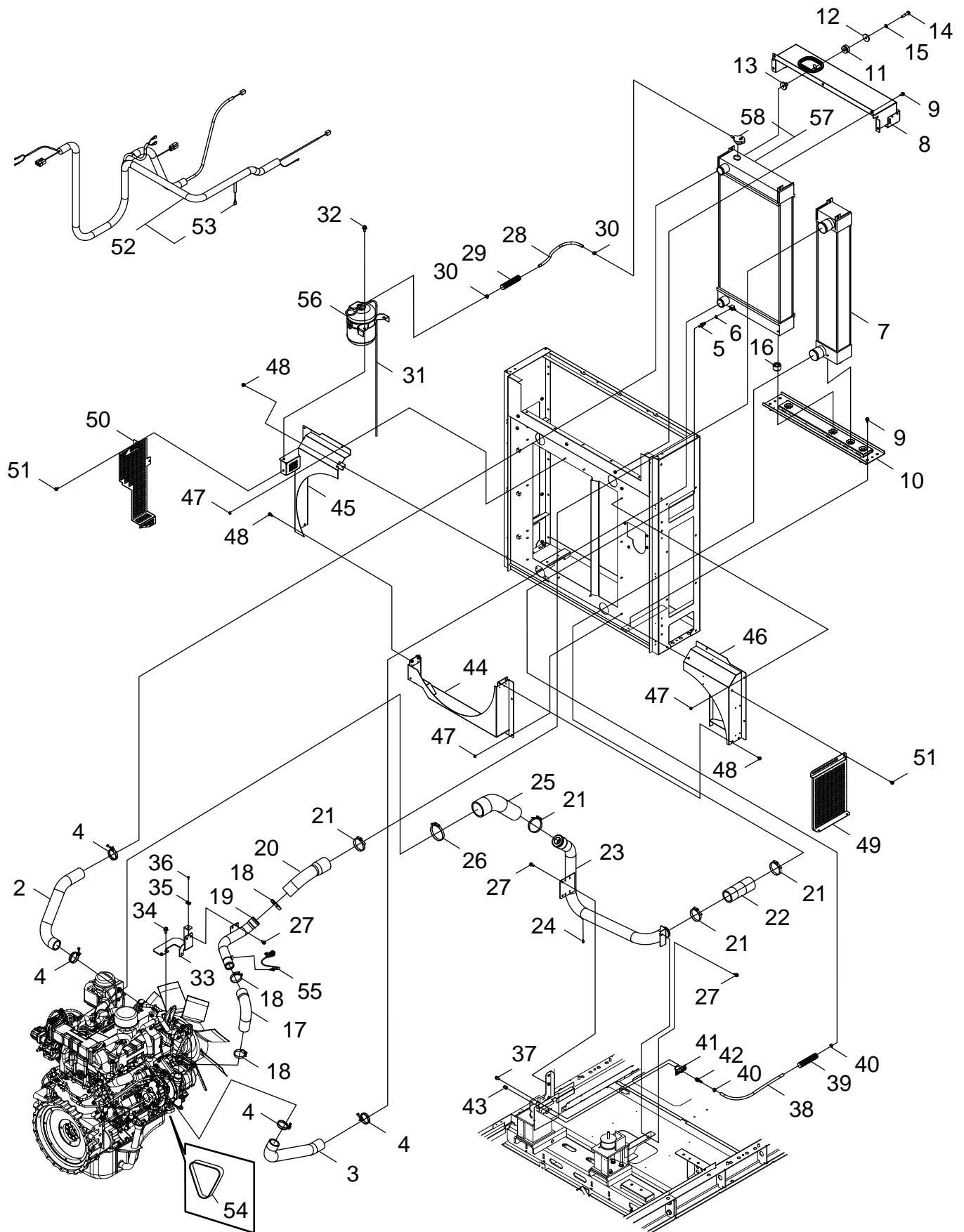


SERIAL NUMBERS

D20301000001 - D20301999999

RADIATOR ASSEMBLY.....	2	SCR	48
AIR AND MUFFLER ASSEMBLY	6	SCR PIPES	50
FUEL TANK.....	10	REAR ENCLOSURE FRAME INSULATION ...	52
FUEL LINES	12	ENCLOSURE FRAME REAR DOOR AND AIR DUCT INSULATION.....	54
OIL LINES	14	ENCLOSURE FRAME FRONT DOOR AND AIR DUCT INSULATION.....	56
FRONT ENCLOSURE	16		
REAR ENCLOSURE	18		
FRONT PANEL	20		
BASE FRAME	22		
CENTER FRAME	24		
LEFT ENCLOSURE	26		
RIGHT ENCLOSURE.....	28		
TOP ENCLOSURE	30		
ALTERNATOR	32		
MAIN CONTROL PANEL.....	34		
MAIN BREAKER AND CONTROL BOX	36		
MAIN BREAKER AND CONTROL BOX	38		
POWER OUTPUT TERMINALS.....	40		
POWER OUTPUT TERMINALS.....	42		
LABELS	44		
HEATER	46		

RADIATOR ASSEMBLY

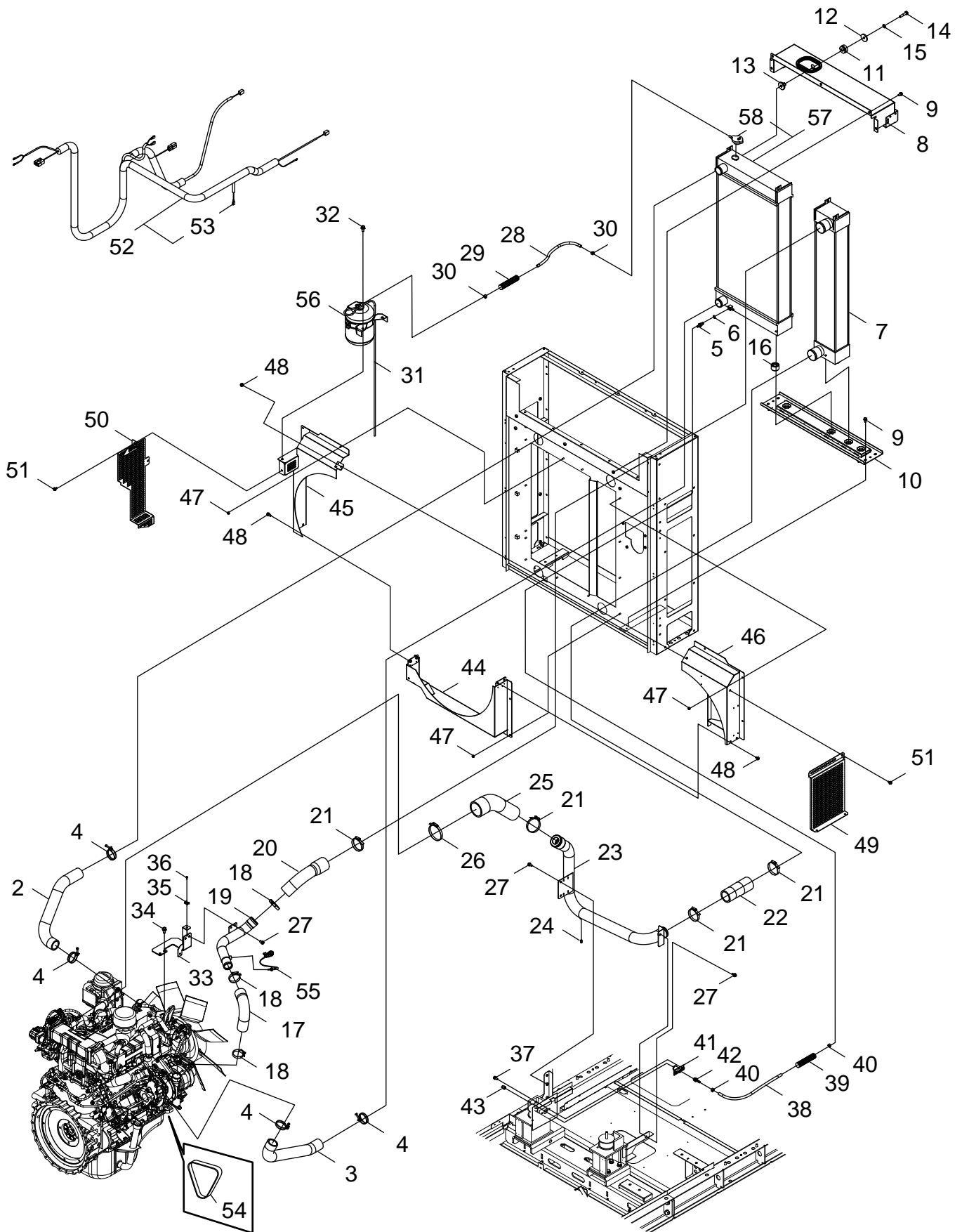


+ Denotes item is part of an assembly
 ++ Denotes item is part of a sub-assembly

RADIATOR ASSEMBLY

NO.	PART NUMBER	QTY.	DESCRIPTION	
2	G203000790	1	HOSE,UPPER RADIATOR	
3	G203000800	1	HOSE,LOWER RADIATOR	
4	V495001820	4	HOSE CLAMP	
5	V187000480	1	NIPPLE,M14X1.25	
6	V581001000	1	RING,O	
7	J197000050	1	INTERCOOLER	
8	C528000820	1	STAY,UP RADIATOR/IC	
9	V205001420	9	BOLT,M8X20-SPW	
10	C528000830	1	STAY,LOW RADIATOR/IC	
11	V425000670	4	CUSHION	
12	V340000630	4	WASHER	
13	V375001110	4	COLLAR	
14	90010010050	4	BOLT	
15	90060200010	4	WASHER,M10	
16	V425000680	4	CUSHION	
17	G213000870	1	HOSE,AIR TURBO-JOINT PIPE	
18	V495001700	3	HOSE CLAMP	
19	V186000870	1	JOINT,PIPE TURBO-I/C	
20	G213000880	1	HOSE,AIR JOINT PIPE-INTERC	
21	V495003130	4	BAND,SMS2298/2299	
22	G213000890	1	HOSE,AIR INTERC-JOINT PIPE	
23	V186000880	1	JOINT,PIPE I/C-ENGINE	
24	K560000000	1	PLUG,R 1/8	
25	G213000900	1	HOSE,AIR JOINT PIPE-ENGINE	
26	V495003140	1	BAND,SMS2298/2299	
27	V205001170	5	BOLT,M8X20-SPW	
28	K400001530	1	HOSE	RADIATOR - SUB TANK
29	V475005580	1	TUBE	
30	V495001670	2	HOSE CLAMP	
31	K700002140	1	HOSE	
32	V206000590	2	BOLT,M10X25-SPW	
33	C528000850	1	STAY,STOPPER BAND	
34	V206000590	2	BOLT,M10X25-SPW	
35	M416000010	1	TIE MOUNT	
36	9134305012	1	SCREW,M5X12	
37	V205001420	2	BOLT,M8X20-SPW	
38	K400001820	1	HOSE	RADIATOR - COOLANT DRAIN
39	V475006280	1	TUBE	
40	V495001670	2	HOSE CLAMP	
41	C153000100	1	SOCKET,Rc3/8 - Rc3/8	
42	K432000050	1	NIPPLE,R3/8 - HOSE	
43	E328000130	1	DRAIN PLUG,R3/8	
44	G202000450	1	DUCT,LOWER RADIATOR	
45	G202000460	1	DUCT,LEFT RADIATOR	
46	G202000470	1	DUCT,RIGHT RADIATOR	

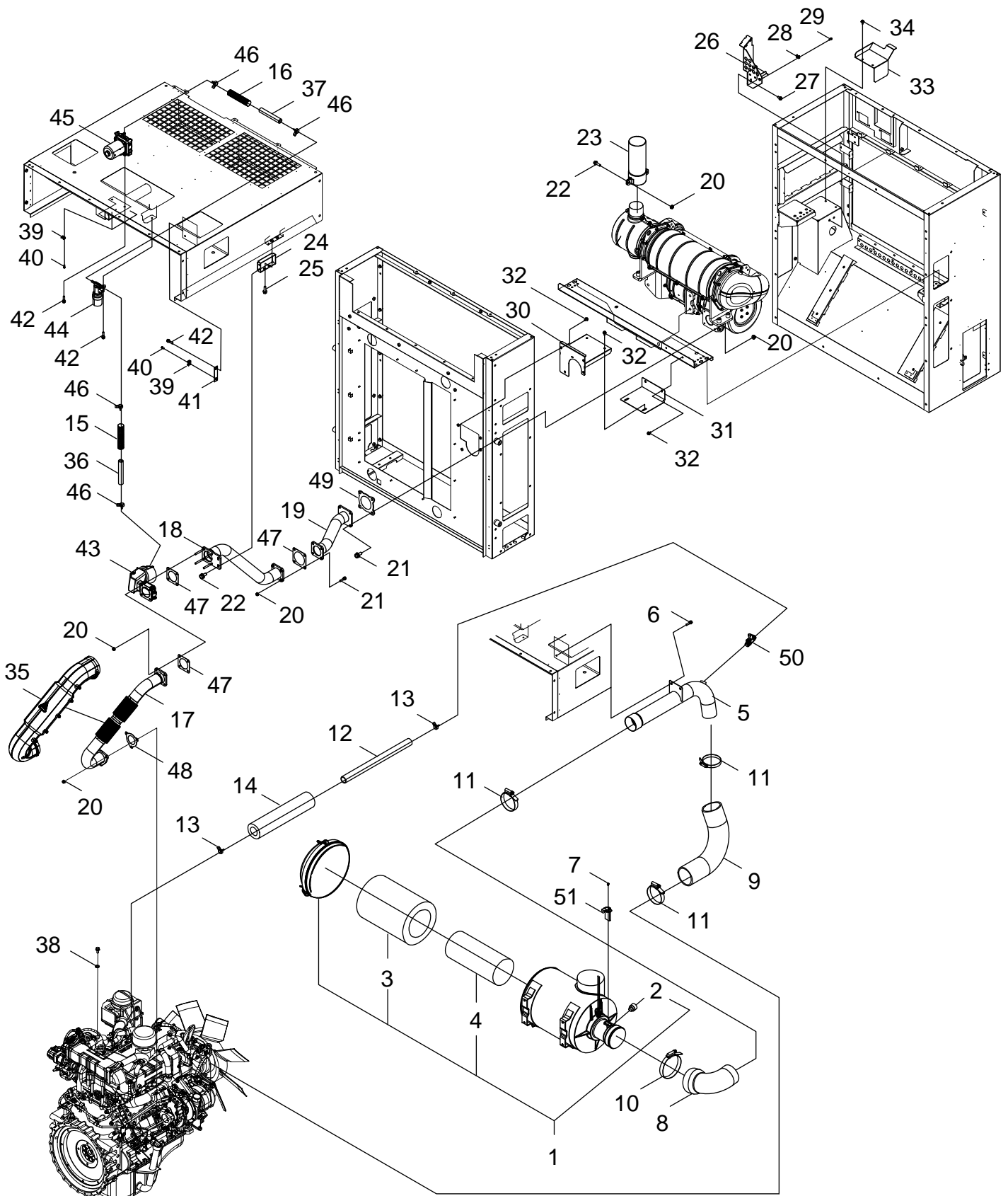
RADIATOR ASSEMBLY



RADIATOR ASSEMBLY

NO.	PART NUMBER	QTY.	DESCRIPTION
47	V264000220	13	FLANGE NUT,M6 SERRATED
48	V204001090	5	BOLT,M6X16 FT SW
49	A172003680	1	COVER,FAN RIGHT
50	A172003690	1	COVER,FAN LEFT
51	V204001090	6	BOLT,M6X16 FT SW
52	G363001001	1	HARNESS,WIRE
53	G347000020	1	+ DIODE
54	I1136715220	1	BELT,COOLING FAN
55	I8973811820	1	SENSOR,MAT
56	G125000310	1	TANK,6091-002-8000 RESERVE
57	G200000450	1	RADIATOR
58	M608000110	1	+ CAP,RADIATOR

AIR AND MUFFLER ASSEMBLY

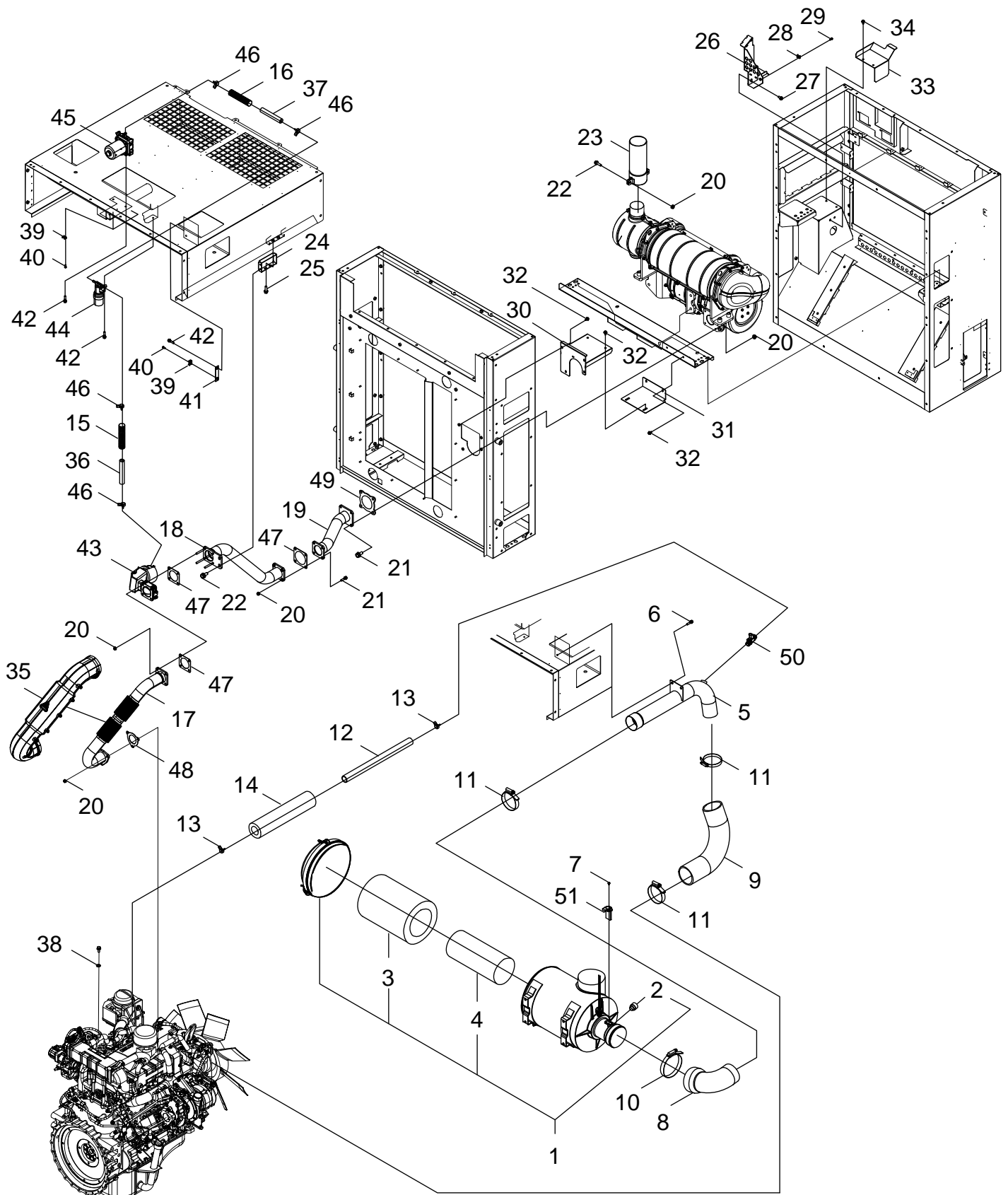


+ Denotes item is part of an assembly
 ++ Denotes item is part of a sub-assembly

AIR AND MUFFLER ASSEMBLY

NO.	PART NUMBER	QTY.	DESCRIPTION	
1	A027000201	1	AIR CLEANER ASSEMBLY	
2	M609000010	1	+ INDICATOR,RFX018171	
3	A226002440	1	+ ELEMENT,AIR FILTER P821938 OUTER	
4	A226002451	1	+ AIR FILTER ELEMENT	
5	V186000890	1	JOINT,PIPE A/C-TURBO	
6	V206000590	2	BOLT,M10X25-SPW	
7	9156804010	2	SCREW,M4X10 SW	
8	G213000910	1	HOSE,AIR	
9	G213000920	1	HOSE,AIR JOINT PIPE-TURBO	
10	V495003780	1	BAND,SMS2298/2299	
11	V495003140	3	BAND,SMS2298/2299	
12	K406000470	1	HOSE,25X1B L1000	
13	V495003040	2	BAND,D-44	
14	V476002200	1	TUBE,M10038 L1000	
15	V475005920	1	TUBE,19.5X23.8X700	
16	V475005300	1	TUBE,19.5X23.8X450	
17	G231001420	1	PIPE,EXHAUST	
18	G231001430	1	PIPE,EXHAUST VALVE-EXPIPE	
19	G231001440	1	PIPE,EXHAUST SCR	
20	V265000290	17	FLANGE NUT,M8 SERRATED	
21	9102408035	8	BOLT,M8X35 W/SW	
22	90014708030	4	BOLT,M8X30	
23	G231001450	1	PIPE,EXHAUST TAIL	
24	C528000860	1	STAY,EXHAUST PIPE	
25	V206000590	2	BOLT,M10X25-SPW	
26	C528000880	1	STAY	
27	V205001420	2	BOLT,M8X20-SPW	
28	M416000080	1	STOPPER,TM-3S10-30 BAND	
29	9134305012	1	SCREW,M5X12	
30	M472000400	1	COVER,EXHAUST PIPE	
31	M472000410	1	COVER,EXHAUST PIPE	
32	V204002040	8	BOLT,M6X16	
33	M472000450	1	COVER,EXHAUST ROOM	
34	V204002040	2	BOLT,M6X16	
35	C417000160	1	INSULATOR,HEATER	
36	I0083581000	1	HOSE,8.73X17.5X1000 VACUUM	CUT TO 700MM
37	I0083581000	1	HOSE,8.73X17.5X1000 VACUUM	CUT TO 500MM
38	I9095714100	1	PACKING	
39	M416000010	3	TIE MOUNT	
40	9134305012	3	SCREW,M5X12	
41	C519002461	1	BRACKET,GENERATOR HOUSING MOUNTING	
42	V205001170	4	BOLT,M8X20-SPW	
43	I8982999640	1	UNIT,BRAKE EXH	
44	I8973285770	1	VALVE,MAG DPD EXH	
45	I8982999681	1	PUMP,VAC	
46	I8973296280	4	CLIP,HOSE	

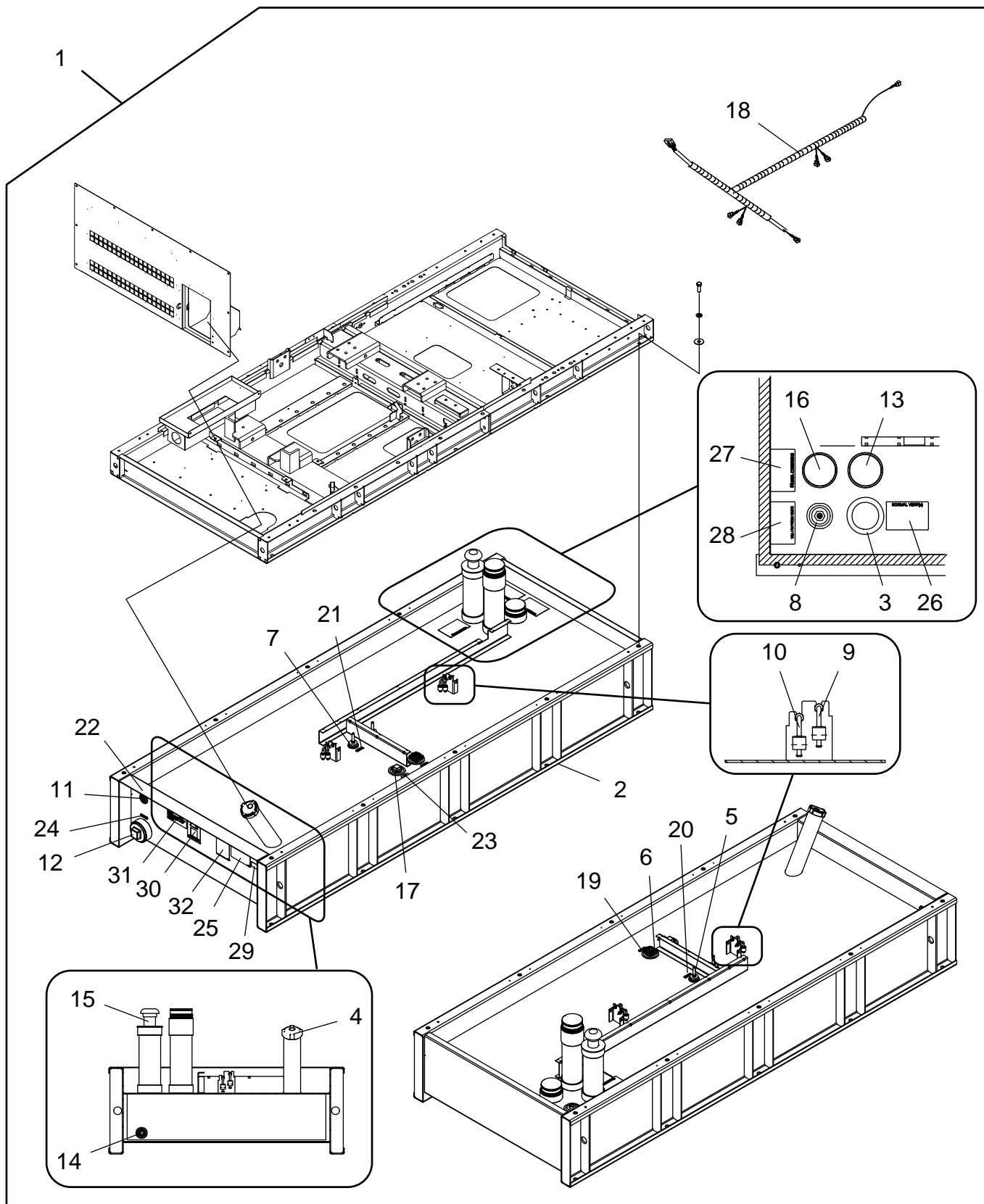
AIR AND MUFFLER ASSEMBLY



AIR AND MUFFLER ASSEMBLY

NO.	PART NUMBER	QTY.	DESCRIPTION	
47	18973731080	3	GASKET,EXH PIPE	
48	18973767580	1	GASKET,EXH TO MANIF	
49	18943925532	1	GASKET,EX PIPE-MANIF	
50	18981924670	1	HEATER,PCV	
51	18976019670	1	SENSOR,MASS AIR FLOW	

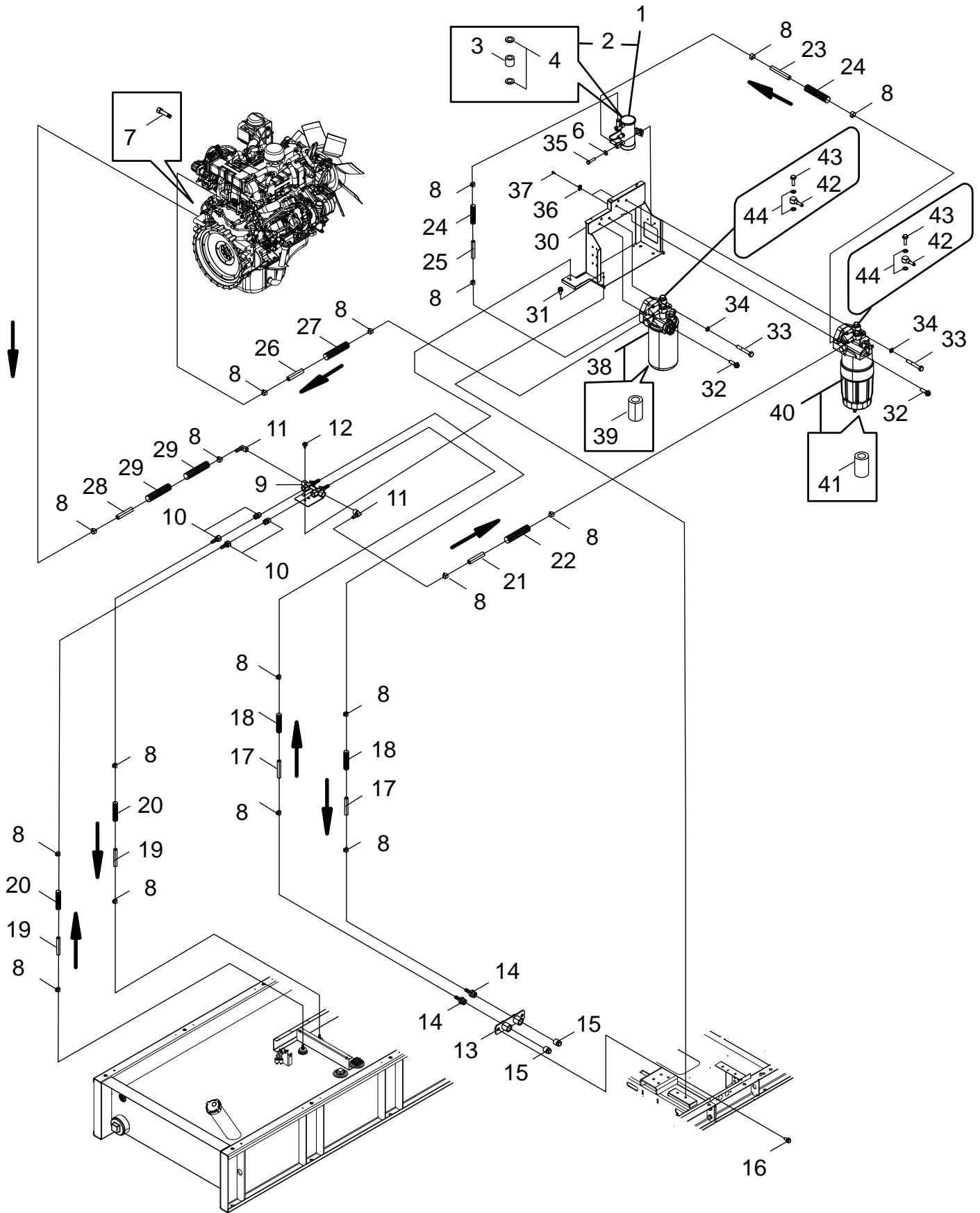
FUEL TANK



FUEL TANK

NO.	PART NUMBER	QTY.	DESCRIPTION
1	G250001280	1	TANK,FUEL
2	G250001420	1	+ TANK,FUEL
3	V701000040	1	+ VALVE,AIR
4	G255000170	1	+ CAP,VENT AL 3"NPT FUEL
5	E230000220	1	+ NIPPLE,TUBE AND HOSE
6	E325000410	1	+ GAUGE,240-30 OHM LEVEL
7	E230000240	1	+ NIPPLE,3/8"NPT HOSE
8	G366000030	1	+ SENSOR,SWITCH WITH FUEL
9	G334002620	2	+ SWITCH,CRITICAL HIGH
10	G334002630	2	+ SWITCH,WARNING WITH 3
11	E328000460	1	+ PLUG,DRAIN CONTAINMENT
12	E328000470	1	+ PLUG,DRAIN
13	V701000070	1	+ VALVE,AIR EMERGENCY VENT
14	E328000480	1	+ PLUG,DRAIN 1"NPT
15	E265000430	1	+ VALVE,PREVENTION VALVE
16	V701000060	1	+ VALVE,AIRVENT
17	V162001050	1	+ PLUG,STEEL PLUG W/
18	C130001320	1	+ HARNESS,WH-128648 WIRE
19	M710000050	1	+ LABEL,INST
20	M710000060	1	+ LABEL,INST RETURN
21	M710000070	1	+ LABEL,INST SUPPLY
22	M710000080	1	+ LABEL,INST
23	M710000090	1	+ LABEL,INST
24	M710000100	1	+ LABEL,INST
25	X568000170	1	+ LABEL,SPECCUL(4X6)
26	M710000110	1	+ LABEL,INSTVENT CUL
27	M710000120	1	+ LABEL,INSTVENT CUL
28	M710000130	1	+ LABEL,INSTAREA CUL
29	M710000140	1	+ LABEL,INST EMERGENCY VENT
30	M710000150	1	+ LABEL,INST STACKING
31	X568000160	1	+ LABEL,SPEC
32	X564001300	1	+ LABEL,CAUTION CUL WARNING

FUEL LINES



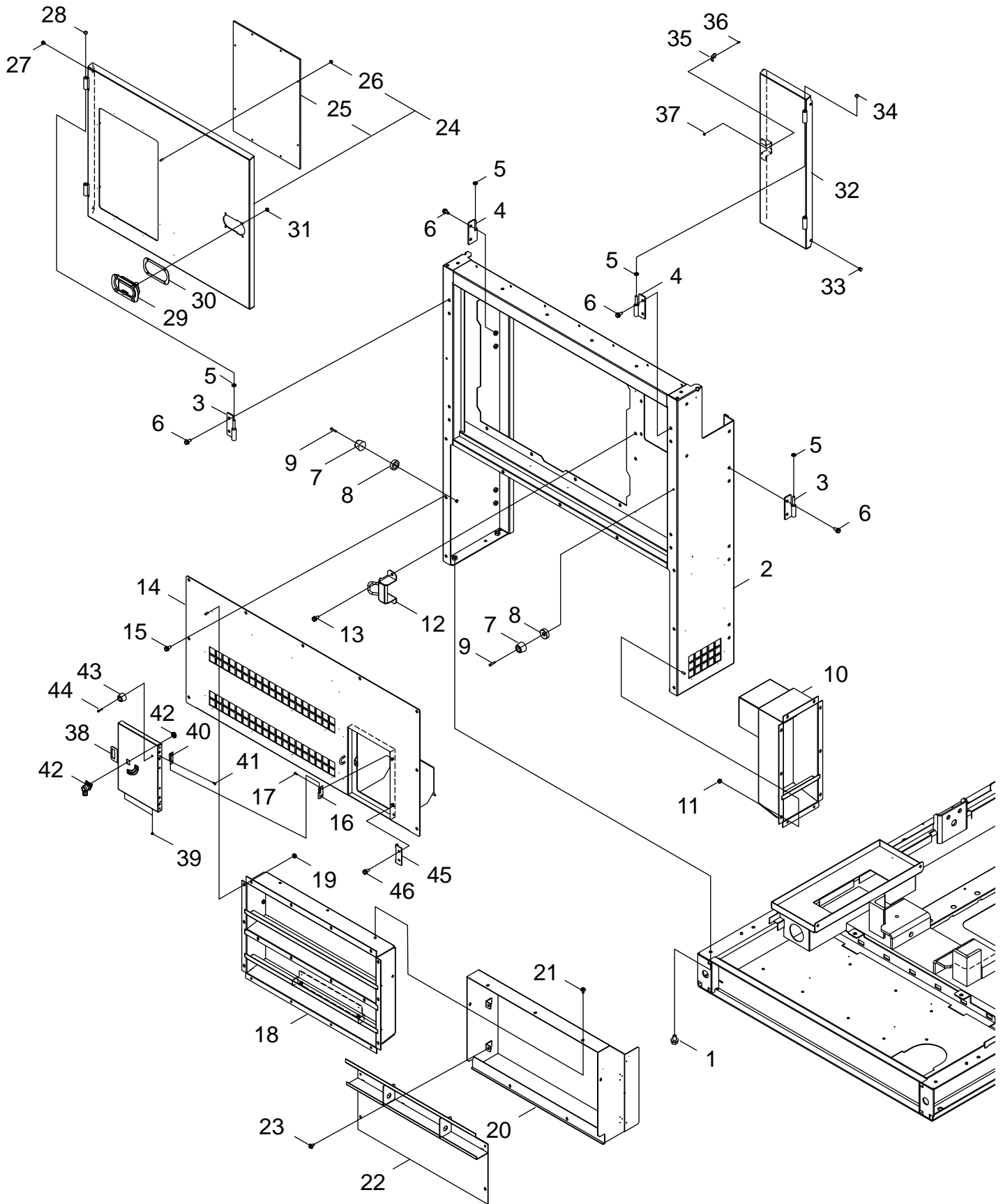
FUEL LINES

NO.	PART NUMBER	QTY.	DESCRIPTION	
1	I8980682752	1	PUMP ASM,FUEL FEED	
2	I8981731650	1	+ REPAIR KIT,FUEL PUMP	
3	I8980714010	1	++ FILTER,FUEL PUMP	
4	I8980714040	1	++ GASKET KIT,FUEL PUMP	
6	I9091607060	2	WASHER,M6	
7	I8980749550	1	STRAINER	
8	V495001660	18	HOSE CLAMP	
9	E265000121	1	VALVE	
10	V187000290	2	NIPPLE,R3/8 - G3/8 HOSE	
11	E237000270	2	ELBOW,R3/8 HOSE	
12	V204001090	2	BOLT,M6X16 FT SW	
13	C153000560	1	SOCKET,G1/2 - G1/2	
14	V187000110	2	NIPPLE,G1/2 HOSE	
15	E328000110	2	DRAIN PLUG	
16	V205001420	2	BOLT,M8X20-SPW	
17	K401000330	2	HOSE,9X16X700	3-WAY VALVE - OUTER FUEL INLET/OUTLET
18	V475005730	2	TUBE,19.5X23.8X630	
19	K401000750	2	HOSE,9X16X520	3-WAY VALVE - FUEL TANK
20	V475005300	2	TUBE,19.5X23.8X450	
21	K401000350	1	HOSE,9X16X1000	3-WAY VALVE - PRE FUEL FILTER
22	V475005530	1	TUBE,19.5X23.8X950	
23	K401000840	1	HOSE,8.5	PRE FUEL FILTER - MAGNET PUMP
24	V475006580	2	TUBE	
25	K401000840	1	HOSE,8.5	MAGNET PUMP - MAIN FUEL FILTER
26	K401000710	1	HOSE,9X16X1900	MAIN FUEL FILTER - ENGINE
27	V475005740	2	TUBE	
28	K401000580	1	HOSE,9X16X1650	ENGINE - 3-WAY VALVE
29	V475008290	2	TUBE	
30	C528001040	1	STAY	
31	V206000590	4	BOLT,M10X25-SPW	
32	9100710035	4	BOLT,M10X35 FLANGE	
33	90010010070	2	BOLT,M10X70	
34	90060000010	2	WASHER,M10	
35	9102206035	2	BOLT,M6X35	
36	M416000010	2	TIE MOUNT	
37	9134305012	2	SCREW,M5X12	
38	I8983129151	1	FILTER ASM,MAIN FUEL	
39	I8983129180	1	+ ELEMENT,FUEL FILTER	
40	I8980758555	1	FILTER ASM,SUB FUEL	
41	I8980742882	1	+ FILTER,PRE FUEL	
42	I8973834270	4	JOINTPIPE,FUELFILTER	
43	I1096750951	4	EYE BOLT,FEED PUMP	
44	I1096300860	8	PACKING,FUEL FILTER	

OIL LINES

NO.	PART NUMBER	QTY.	DESCRIPTION	
1	I9096620120	1	DRAIN PLUG,M20 OIL	
2	I1096230570	1	GASKET,OIL DRAIN PLUG	
3	K313000050	1	FIXTURE,OIL DRAIN HOSE JOINT	
4	V242000410	1	BOLT,OIL DRAIN EYE	
5	V581000760	2	RING,E-3030S OIL DRAIN O	
6	K405000480	1	HOSE,19	ENGINE - OIL DRAIN
7	V475006160	1	TUBE,32.4X38X700	
8	V495001710	2	CLAMP,SMS2298/2299 HOSE	
9	C153000180	1	SOCKET,M20 - R3/4 OIL DRAIN	
10	E265000130	1	COCK,Rc3/4 - Rc3/4	
11	V187000130	1	NIPPLE,R3/4 HOSE	
12	V206000800	2	BOLT,M10X25-SPW	
13	M601000330	4	JOINT,G3/4 - G3/4	
14	V581000770	4	+ RING,JIS B 2401 P24 O	
15	K576000230	2	HOSE,14	ENGINE - OIL FILTER
16	90010010110	2	BOLT,M10X110	
17	V206000520	2	BOLT,M10X140	
18	90060000010	4	WASHER,M10	
19	V476002550	6	TUBE	
20	I8983758662	1	FILTER ASSY,OIL	
21	I8983758600	1	+ OIL FILTER ELEMENT	

FRONT ENCLOSURE



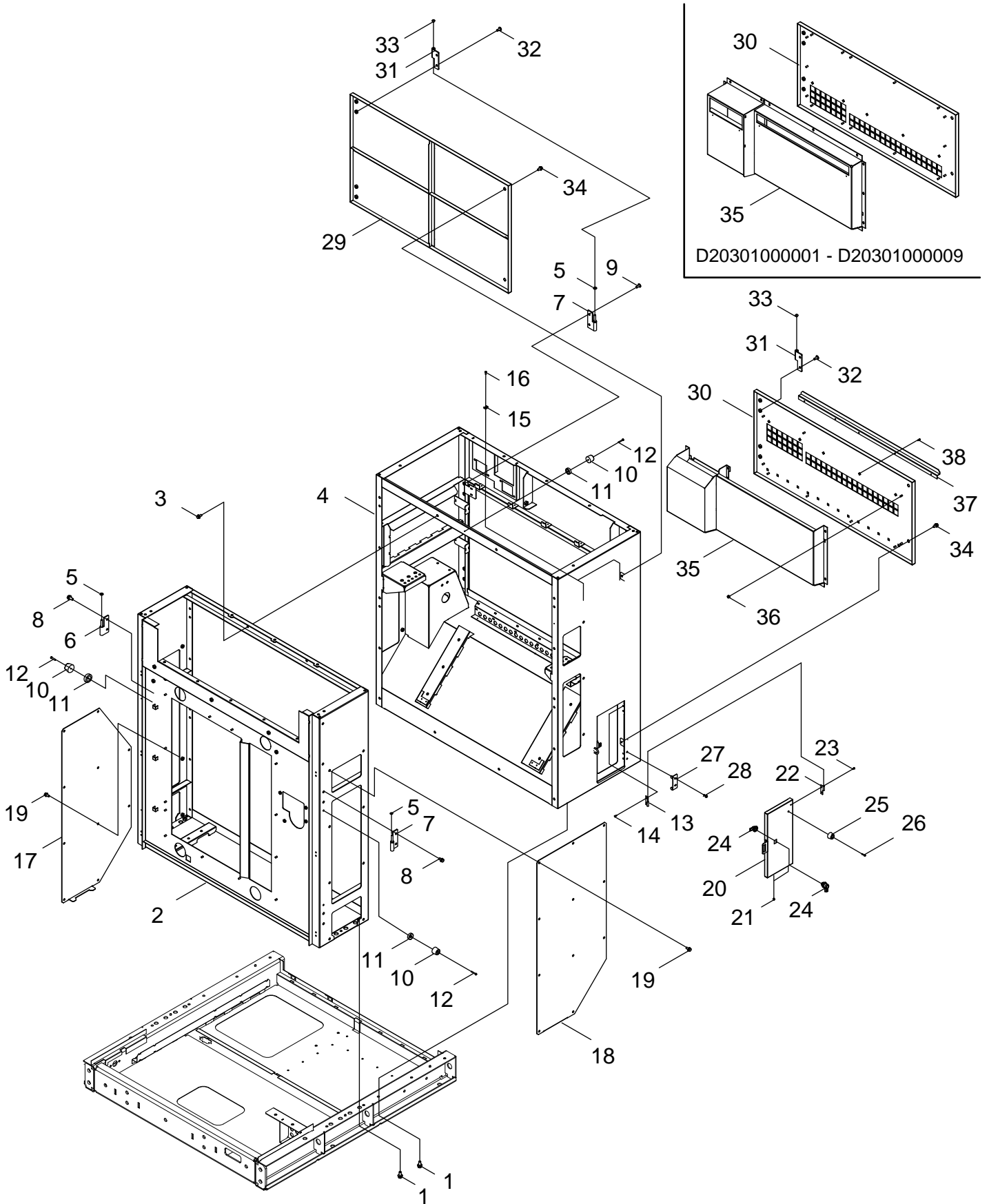
+ Denotes item is part of an assembly
 ++ Denotes item is part of a sub-assembly

Effective 12/09/25

FRONT ENCLOSURE

NO.	PART NUMBER	QTY.	DESCRIPTION
1	V206000800	4	BOLT,M10X25-SPW
2	J495000940	1	ENCLOSURE FRAME
3	J485000720	5	HINGE,B-65-1-R
4	J485000730	4	HINGE,B-65-1-L
5	V375000380	9	COLLAR,HINGE (B-65-1)
6	V205001420	18	BOLT,M8X20-SPW
7	V420003070	4	STAND,RUBBER
8	V420003100	4	STAND,RUBBER
9	9134104025	4	SCREW,M4X25 SW
10	G129000000	1	DUCT,AIR
11	V264000220	10	FLANGE NUT,M6 SERRATED
12	C649000540	1	HOOK
13	V205001420	2	BOLT,M8X20-SPW
14	J503000140	1	PANEL,FRONT
15	V205001420	9	BOLT,M8X20-SPW
16	J485000310	2	HINGE
17	9144704012	4	SCREW,4X12 TAPPING
18	G129000010	1	DUCT,FRONT PANEL AIR
19	V264000220	18	FLANGE NUT,M6 SERRATED
20	G129000020	1	DUCT,AIR
21	V204002040	7	BOLT,M6X16
22	G129000030	1	DUCT,FRONT PANEL AIR
23	V204002040	4	BOLT,M6X16
24	M402000960	1	DOOR,FRONT LEFT
25	J503000110	1	+ PANEL,ACRYLIC
26	V263000330	8	+ FLANGE NUT,M5 SERRATED
27	V162000520	2	PLUG,CP-30-HP-3
28	V162000500	2	PLUG,C-30-CS-9
29	C701000420	1	LOCK COVER
30	V542000120	1	SEAL,LOCK COVER
31	V264000220	4	FLANGE NUT,M6 SERRATED
32	M402000970	1	DOOR,RIGHT FRONT
33	V162000520	2	PLUG,CP-30-HP-3
34	V162000500	2	PLUG,C-30-CS-9
35	C390000010	1	INLET COVER LATCH
36	9134103010	2	SCREW,3X10
37	V261000010	2	FLANGE NUT,M3 SERRATED
38	M472000460	1	COVER,FUEL
39	V162000870	2	PLUG,CP-30-HP-1
40	J485000330	2	HINGE
41	9144704012	4	SCREW,4X12 TAPPING
42	C701001110	1	HANDLE,C319A2
43	V420003070	1	STAND,RUBBER
44	9138104020	1	SCREW,4X20 TAPPING
45	M472000520	1	COVER,DEF
46	9103405016	2	BOLT,M5X16

REAR ENCLOSURE

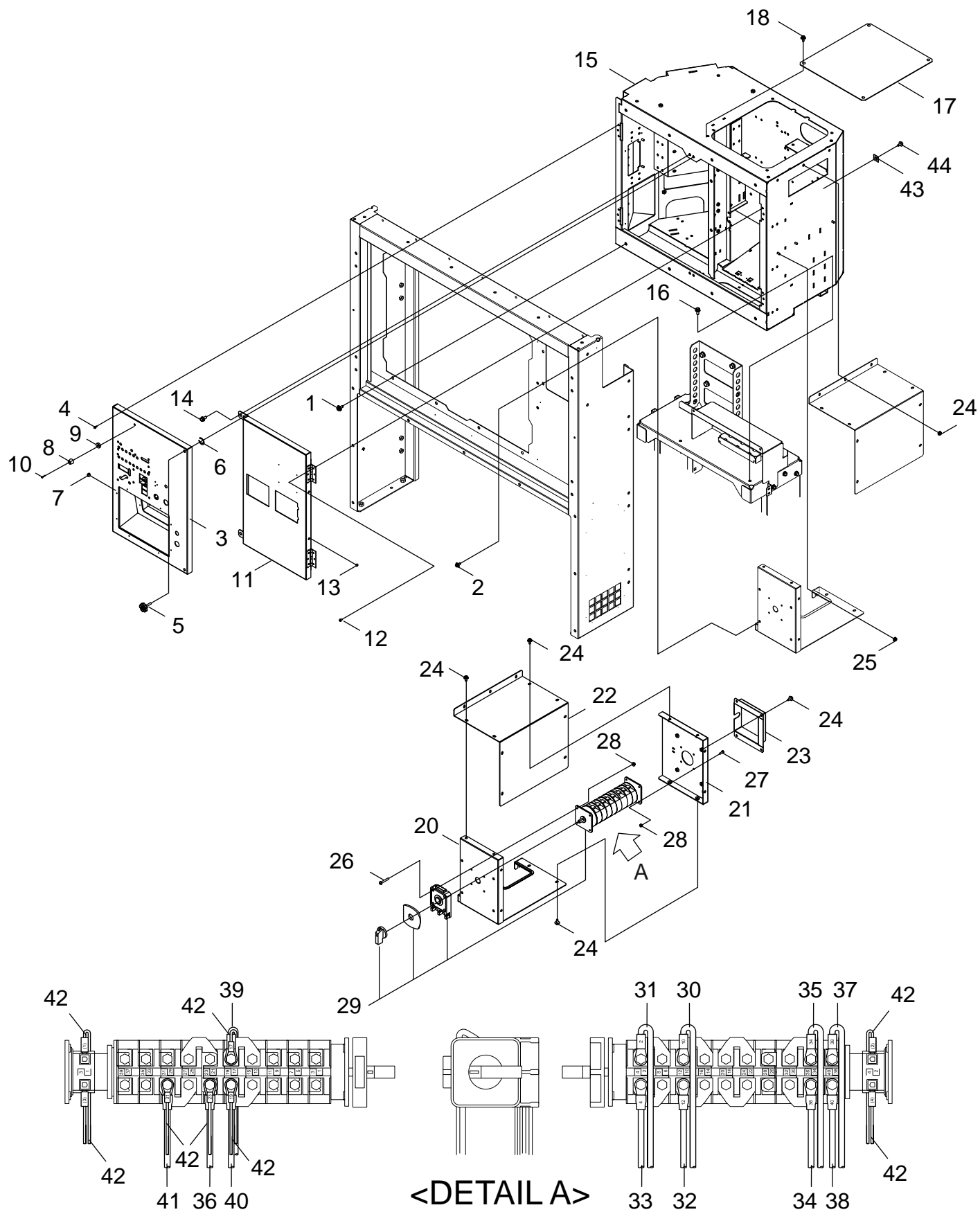


D20301000001 - D20301000009

REAR ENCLOSURE

NO.	PART NUMBER	QTY.	DESCRIPTION	
1	V206000800	10	BOLT,M10X25-SPW	
2	J495000950	1	ENCLOSURE FRAME	
3	V205001420	14	BOLT,M8X20-SPW	
4	J495000960	1	ENCLOSURE FRAME	
5	V375000380	8	COLLAR,HINGE (B-65-1)	
6	J485000720	2	HINGE,B-65-1-R	
7	J485000730	6	HINGE,B-65-1-L	
8	V205001420	8	BOLT,M8X20-SPW	
9	90029308020	8	SCREW,M8X20 TRUSS	
10	V420003510	6	STAND,RUBBER	
11	V420003100	6	STAND,RUBBER	
12	9156404035	6	SCREW	
13	J485000310	2	HINGE	
14	9144704012	4	SCREW,4X12 TAPPING	
15	M416000080	2	STOPPER,TM-3S10-30 BAND	
16	9134305012	2	SCREW,M5X12	
17	J503000160	1	PANEL	
18	J503000170	1	PANEL	
19	V205001420	21	BOLT,M8X20-SPW	
20	M471000860	1	COVER	
21	V162000870	2	PLUG,CP-30-HP-1	
22	J485000330	2	HINGE	
23	9144704012	4	SCREW,4X12 TAPPING	
24	C701001110	1	HANDLE,C319A2	
25	V420003070	1	STAND,RUBBER	
26	9138104020	1	SCREW,4X20 TAPPING	
27	M472000520	1	COVER,DEF	
28	9103405016	2	BOLT,M5X16	
29	J503000180	1	PANEL	
30	J503000190	1	PANEL	D20301000001-D20301000009
30	J503000440	1	PANEL	D20301000010-
31	J485000850	4	HINGE,TAKIGEN B-65-1-L	
32	90029308020	8	SCREW,M8X20 TRUSS	
33	V162000500	4	PLUG,C-30-CS-9	
34	V205001420	4	BOLT,M8X20-SPW	
35	G129000040	1	DUCT,AIR	D20301000001-D20301000009
35	G129000160	1	DUCT,AIR	D20301000010-
36	V264000220	16	FLANGE NUT,M6 SERRATED	D20301000001-D20301000009
36	V264000220	9	FLANGE NUT,M6 SERRATED	D20301000010-
37	J474000280	1	PLATE,GUTTER	
38	9149204012	5	SCREW,TAPPING	

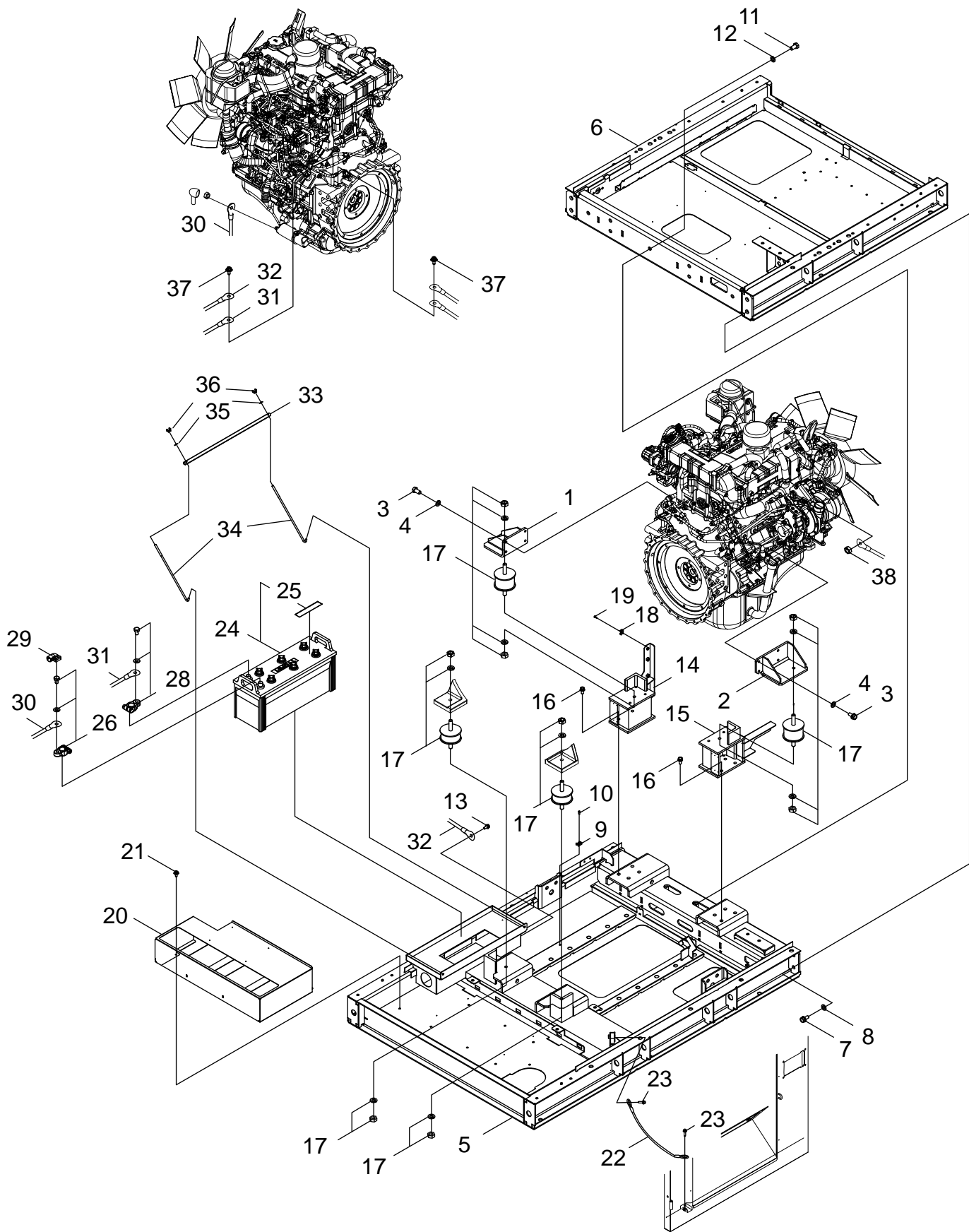
FRONT PANEL



FRONT PANEL

NO.	PART NUMBER	QTY.	DESCRIPTION	
1	V205001420	8	BOLT,M8X20-SPW	
2	V204002040	4	BOLT,M6X16	
3	C165000450	1	PANEL,OPERATION	
4	9156404010	6	SCREW,M4X10 W/SW	
5	M613000340	2	KNOB,M6 BOLT	
6	V583000230	2	RING,U	
7	V162000500	2	PLUG,C-30-CS-9	
8	V420003510	1	STAND,RUBBER	
9	V420003100	1	STAND,RUBBER	
10	9156404030	1	SCREW,M4X30 W+ SW	
11	C165000490	1	PANEL,OPERATION	
12	9156404010	6	SCREW,M4X10 W/SW	
13	V162000500	2	PLUG,C-30-CS-9	
14	V204001090	2	BOLT,M6X16 FT SW	
15	J431000190	1	CONTROL BOX	D20301000001-D20301000009
15	J431000210	1	CONTROL BOX	D20301000010-
16	V205001170	2	BOLT,M8X20-SPW	
17	J503000150	1	PANEL,CONTROL BOX TOP	
18	V204001090	4	BOLT,M6X16 FT SW	
20	A472000850	1	CASE,SWITCH	
21	A472000860	1	CASE,SWITCH	
22	A472000870	1	CASE,SWITCH	
23	A472000820	1	CASE,TERMINAL COVER SWITCH	
24	V204001090	17	BOLT,M6X16 FT SW	
25	V264000220	3	FLANGE NUT,M6 SERRATED	
26	9156305035	4	SCREW SW	
27	9156405016	4	SCREW SW	
28	V263000340	8	NUT,FLANGE	
29	M115000370	1	SWITCH,CAM	
30	M390000130	1	LEAD	
31	M390000140	1	LEAD	
32	M390000150	1	LEAD	
33	M390000160	1	LEAD	
34	M390000170	1	LEAD	
35	M390000180	1	LEAD	
36	M390000190	1	LEAD	
37	M390000200	1	LEAD	
38	M390000210	1	LEAD	
39	M390000220	1	LEAD	
40	M390000230	1	LEAD	
41	M390000240	1	LEAD	
42	G363001010	1	HARNESS,WIRE	
43	M416000010	1	TIE MOUNT	
44	9134305012	1	SCREW,M5X12	

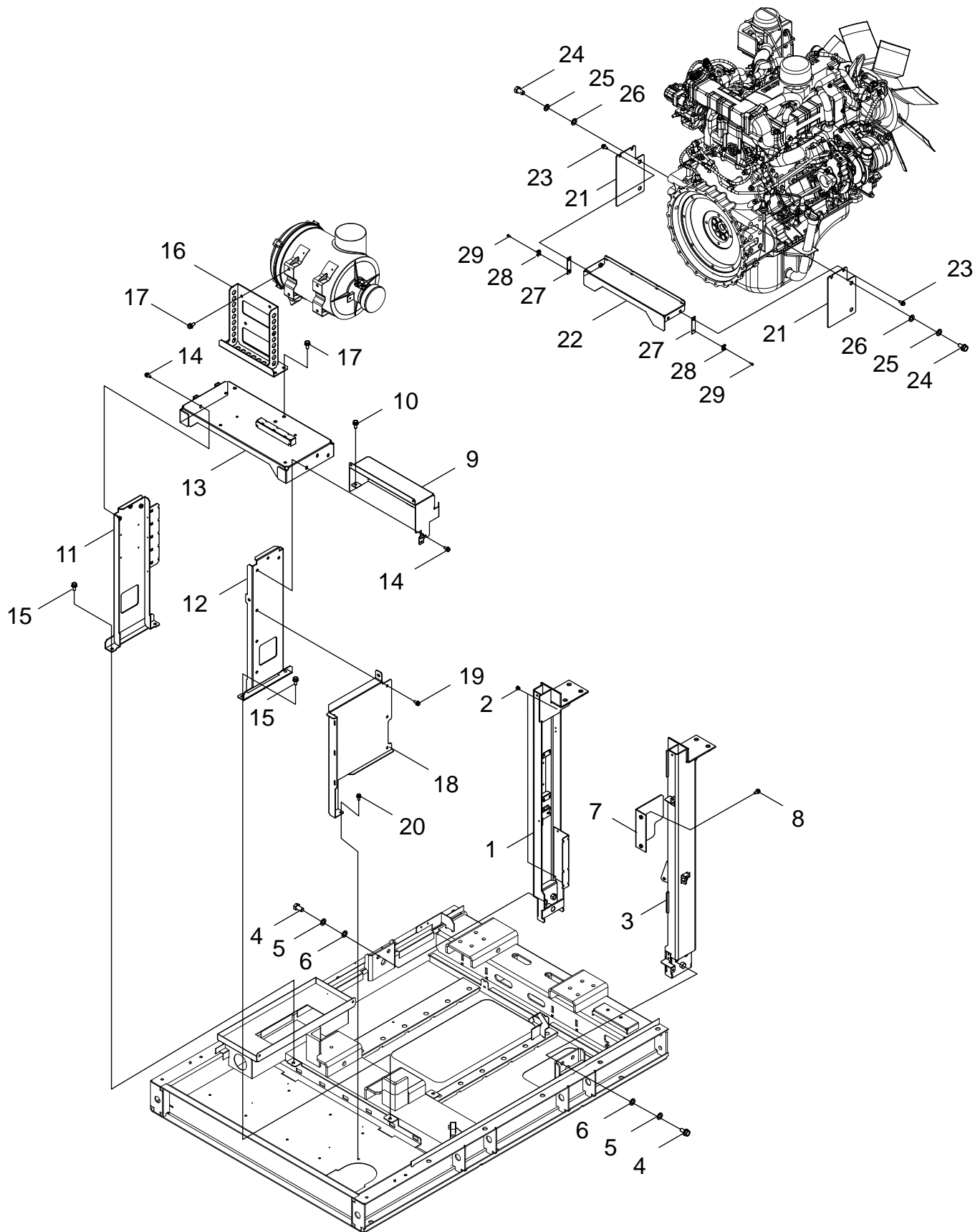
BASE FRAME



BASE FRAME

NO.	PART NUMBER	QTY.	DESCRIPTION
1	G121000780	1	ENGINE MOUNT
2	G121000790	1	ENGINE MOUNT
3	9102710025	8	BOLT,M10X25 8T
4	90060500010	8	WASHER,M10 SPRING
5	J404001420	1	FRAME
6	J404001430	1	FRAME
7	V209000250	4	M16X40 BOLT
8	V311000260	4	WASHER,W-16 CIRCULAR
9	M416000010	1	TIE MOUNT
10	9134305012	1	SCREW,M5X12
11	9100016040	7	BOLT,M16X40
12	9220316000	7	WASHER,M16
13	V206000590	1	BOLT,M10X25-SPW
14	J465000880	1	STAND
15	J465000890	1	STAND
16	9102412040	8	BOLT,M12X40 W/SW
17	V404000250	4	CUSHION,10
18	M416000010	1	TIE MOUNT
19	9134305012	1	SCREW,M5X12
20	G128001920	1	DUCT,AIR
21	V204001090	7	BOLT,M6X16 FT SW
22	C617000550	1	STOPPER,DOOR
23	9102408035	2	BOLT,M8X35 W/SW
24	V046000260	1	BATTERY,ASM
25	X505010410	1	+ LABEL,PROPOSITION65/BATTERIES CAUTION
26	V486000201	1	TERMINAL,LEAD
28	V486000211	1	TERMINAL,LEAD
29	G305000040	1	TERMINAL CAP (RED)
30	V485003590	1	LEAD
31	V485003570	1	LEAD
32	V485003580	1	LEAD
33	G303000470	1	HOLDER,BATTERY
34	V240000270	2	BOLT,HOOK
35	90060200008	2	WASHER,M8
36	9219008000	2	NUT,M8 WING
37	V205001170	2	BOLT,M8X20-SPW
38	V265000290	1	FLANGE NUT,M8 SERRATED

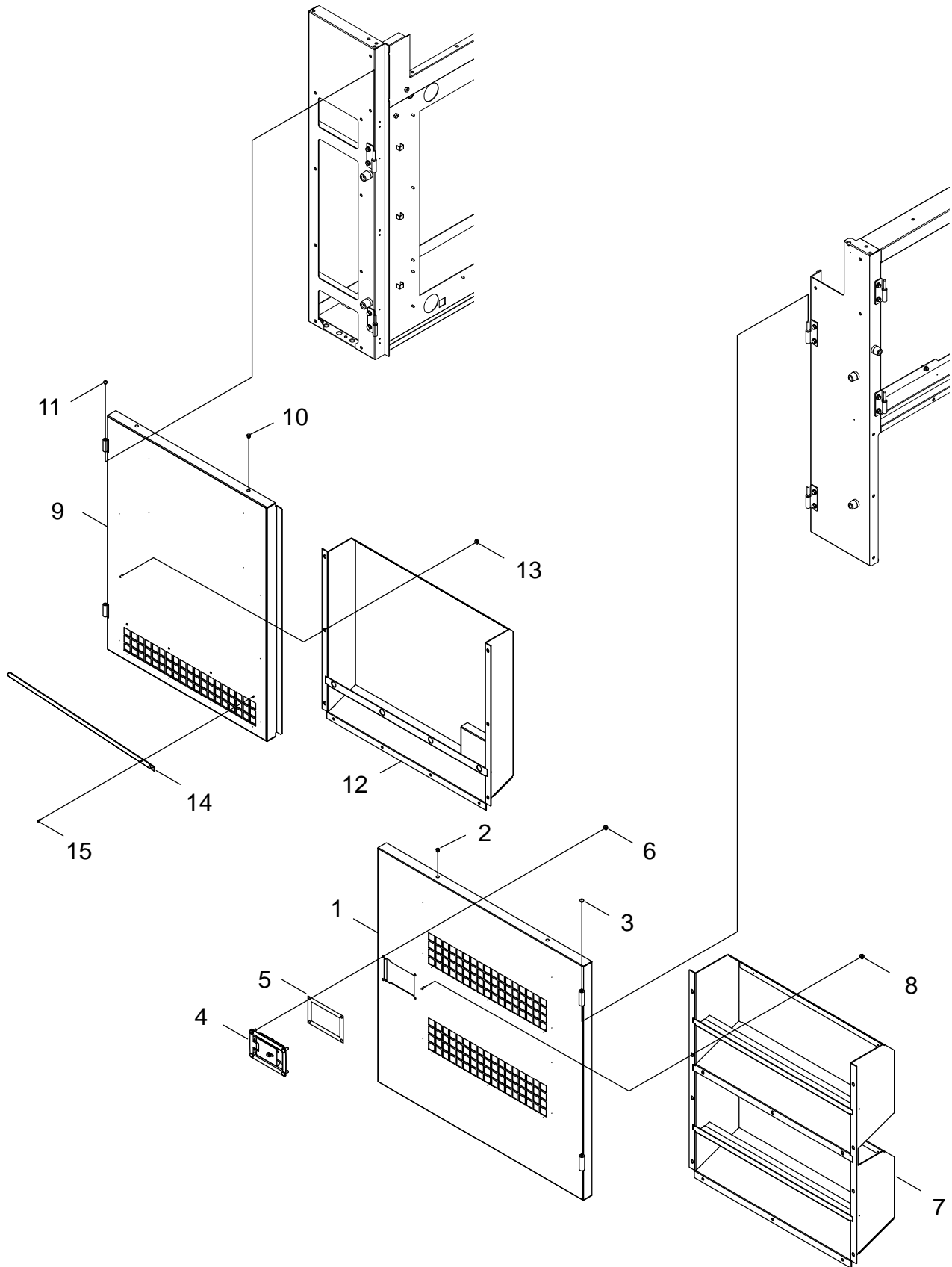
CENTER FRAME



CENTER FRAME

NO.	PART NUMBER	QTY.	DESCRIPTION
1	J415001240	1	STAY,ENCLOSURE FRAME
2	V162000500	2	PLUG,C-30-CS-9
3	J415001250	1	STAY,ENCLOSURE FRAME RIGHT
4	9100016040	4	BOLT,M16X40
5	90060500016	4	WASHER,M16 SPRING
6	9220316000	4	WASHER,M16
7	M472000510	1	COVER,COVER
8	V204001090	2	BOLT,M6X16 FT SW
9	M472000430	1	COVER,CONTROL BOX REAR
10	V204001090	2	BOLT,M6X16 FT SW
11	C528000930	1	STAY
12	C528000940	1	STAY
13	C528000950	1	STAY
14	V205001170	6	BOLT,M8X20-SPW
15	V206000590	4	BOLT,M10X25-SPW
16	C528000840	1	STAY
17	V206000590	8	BOLT,M10X25-SPW
18	C528000970	1	STAY
19	V205001170	4	BOLT,M8X20-SPW
20	V204001090	1	BOLT,M6X16 FT SW
21	C528000960	2	STAY
22	M472000440	1	COVER
23	V205001170	4	BOLT,M8X20-SPW
24	9100016040	4	BOLT,M16X40
25	90060500016	4	WASHER,M16 SPRING
26	9220316000	4	WASHER,M16
27	C519002461	2	BRACKET,GENERATOR HOUSING MOUNTING
28	M416000010	2	TIE MOUNT
29	9134305012	2	SCREW,M5X12

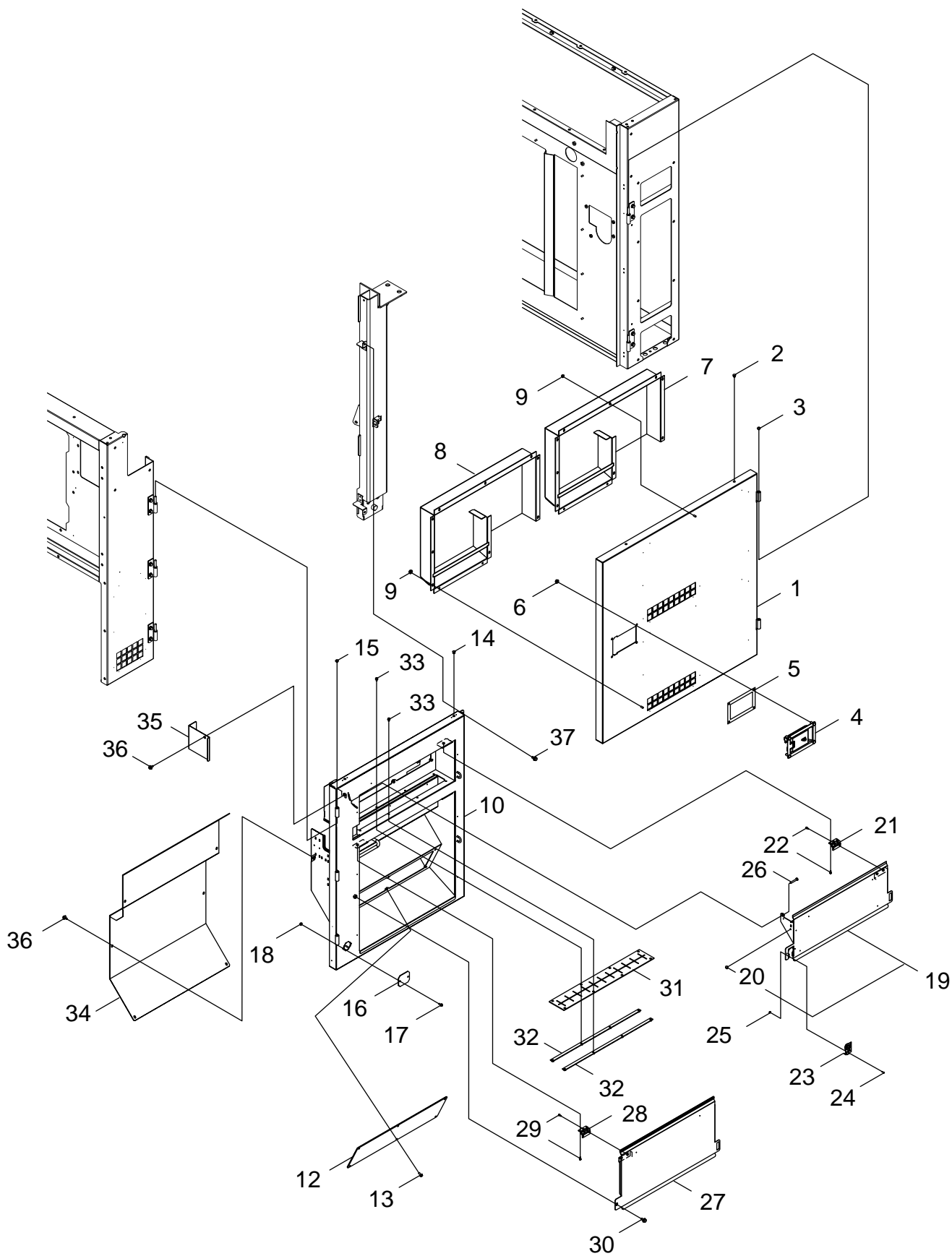
LEFT ENCLOSURE



LEFT ENCLOSURE

NO.	PART NUMBER	QTY.	DESCRIPTION
1	M404001630	1	DOOR,LEFT
2	V162000520	2	PLUG,CP-30-HP-3
3	V162000500	2	PLUG,C-30-CS-9
4	C701000440	1	LOCK COVER,A-838-A-3
5	V541000350	1	LOCK COVER GASKET
6	V265000290	4	FLANGE NUT,M8 SERRATED
7	G129000090	1	DUCT,AIR
8	V264000220	14	FLANGE NUT,M6 SERRATED
9	M404001640	1	DOOR,LEFT
10	V162000520	2	PLUG,CP-30-HP-3
11	V162000500	2	PLUG,C-30-CS-9
12	G129000100	1	DUCT,AIR
13	V264000220	10	FLANGE NUT,M6 SERRATED
14	J474000290	1	PLATE,GUTTER
15	9149204012	4	SCREW,TAPPING

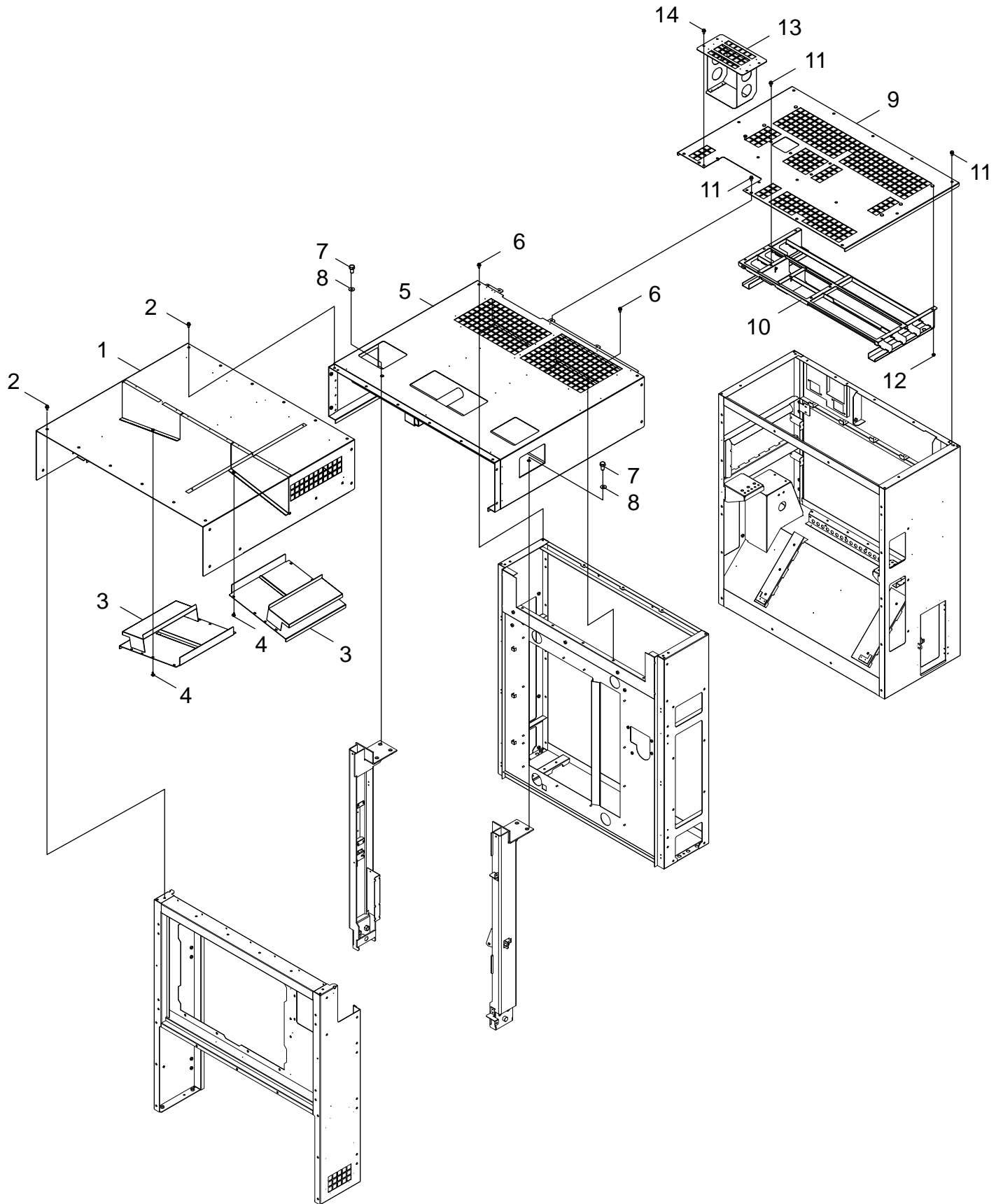
RIGHT ENCLOSURE



RIGHT ENCLOSURE

NO.	PART NUMBER	QTY.	DESCRIPTION
1	M407000750	1	DOOR,RIGHT
2	V162000520	2	PLUG,CP-30-HP-3
3	V162000500	2	PLUG,C-30-CS-9
4	C701000440	1	LOCK COVER,A-838-A-3
5	V541000350	1	LOCK COVER GASKET
6	V265000290	4	FLANGE NUT,M8 SERRATED
7	G129000070	1	DUCT,AIR
8	G129000080	1	DUCT,AIR
9	V264000220	22	FLANGE NUT,M6 SERRATED
10	M409001431	1	DOOR,SIDE
12	J503000060	1	PANEL,CAM-LOK UPPER LID
13	V204001610	6	BOLT,M6X165-SPW
14	V162000520	4	PLUG,CP-30-HP-3
15	V162000500	3	PLUG,C-30-CS-9
16	M472000420	1	COVER
17	9103405016	2	BOLT,M5X16
18	V263000330	2	FLANGE NUT,M5 SERRATED
19	M472000261	1	COVER,UPPER TERMINAL
20	V162000700	1	+ PLUG,C-30-CS-9-UL
21	J485000490	2	HINGE,TH-125-1
22	9156604012	10	SCREW,M4X12 W/SW BLACK
23	C390000050	1	LATCH
24	90027303012	4	SCREW,3X12
25	V261000010	4	FLANGE NUT,M3 SERRATED
26	9100206040	1	BOLT,M6X40
27	M472000270	1	COVER,LOWER TERMINAL
28	J485000490	2	HINGE,TH-125-1
29	9156604012	10	SCREW,M4X12 W/SW BLACK
30	V205001420	1	BOLT,M8X20-SPW
31	J447001920	1	GUARD,RUBBER PARTITION
32	C444000120	2	SUPPORT,GUARD
33	9103405016	8	BOLT,M5X16
34	M472000480	1	COVER
35	M472000290	1	COVER,LIMITER SWITCH
36	V204001090	10	BOLT,M6X16 FT SW
37	V204001090	2	BOLT,M6X16 FT SW

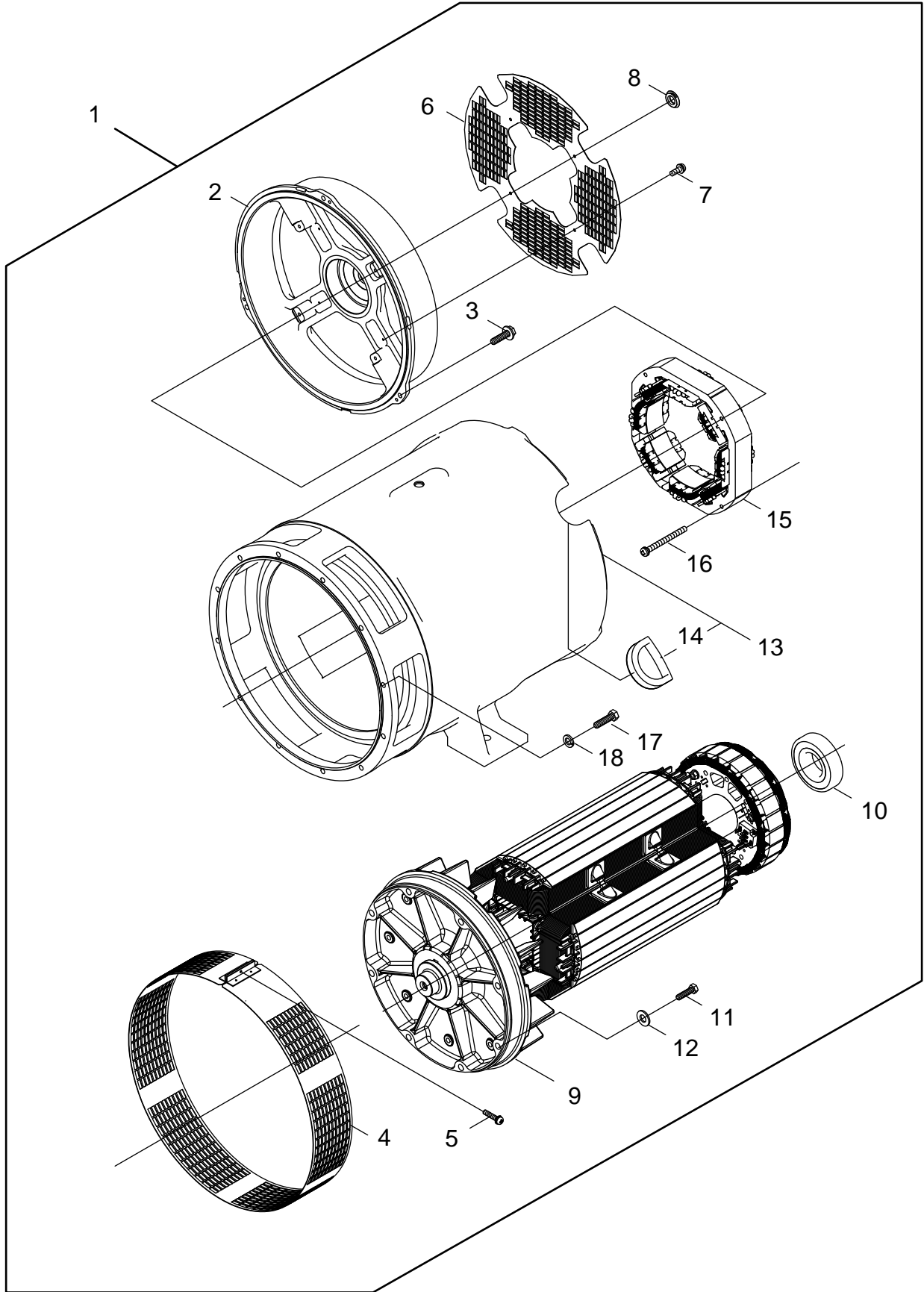
TOP ENCLOSURE



TOP ENCLOSURE

NO.	PART NUMBER	QTY.	DESCRIPTION
1	J495000970	1	ENCLOSURE FRAME
2	V205001420	22	BOLT,M8X20-SPW
3	G129000060	2	DUCT,AIR
4	V204001090	12	BOLT,M6X16 FT SW
5	J495000980	1	ENCLOSURE FRAME
6	V205001420	11	BOLT,M8X20-SPW
7	90010416030	6	BOLT,M16X30
8	V109000210	6	GASKET,W16
9	M472000470	1	COVER
10	G129000050	1	DUCT,AIR
11	V205001420	19	BOLT,M8X20-SPW
12	V265000290	6	FLANGE NUT,M8 SERRATED
13	J480002040	1	LID,COVER
14	V205001420	4	BOLT,M8X20-SPW

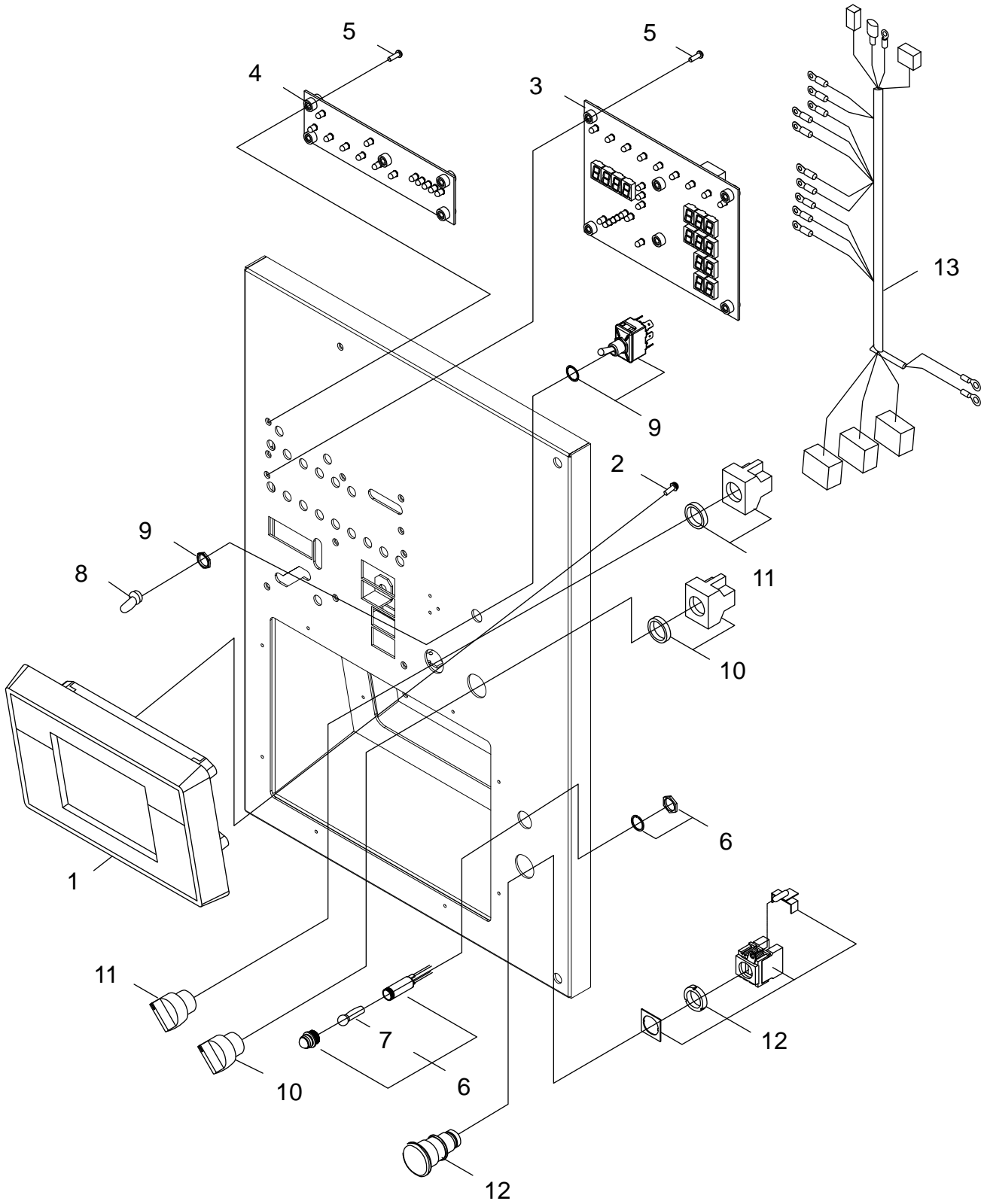
ALTERNATOR



ALTERNATOR

NO.	PART NUMBER	QTY.	DESCRIPTION
1	G02000102	1	GENERATOR
2	M305000700	1	+ HOUSING
3	9102210035	3	+ BOLT,M10X35 SW
4	A172002160	1	+ COVER,FAN
5	9103104030	1	+ BOLT,M4X30 SW
6	M472000490	1	+ COVER
7	9103105012	4	+ BOLT,M5X12 SW
8	V145000810	1	+ GROMMET,CIRCULAR
9	M102001010	1	+ ROTOR
10	V592000160	1	+ BALL BEARING
11	9102610060	8	+ BOLT
12	90060500010	8	+ WASHER,M10 SPRING
13	A041001031	1	+ STATOR ASSEMBLY
14	V144000870	2	++ GROMMET
15	A041001042	1	+ STATOR ASSEMBLY EXST125_9000123
16	9102408050	4	BOLT SPW
17	9102610030	12	BOLT,M10X30 10.9
18	90060500010	12	WASHER,M10 SPRING

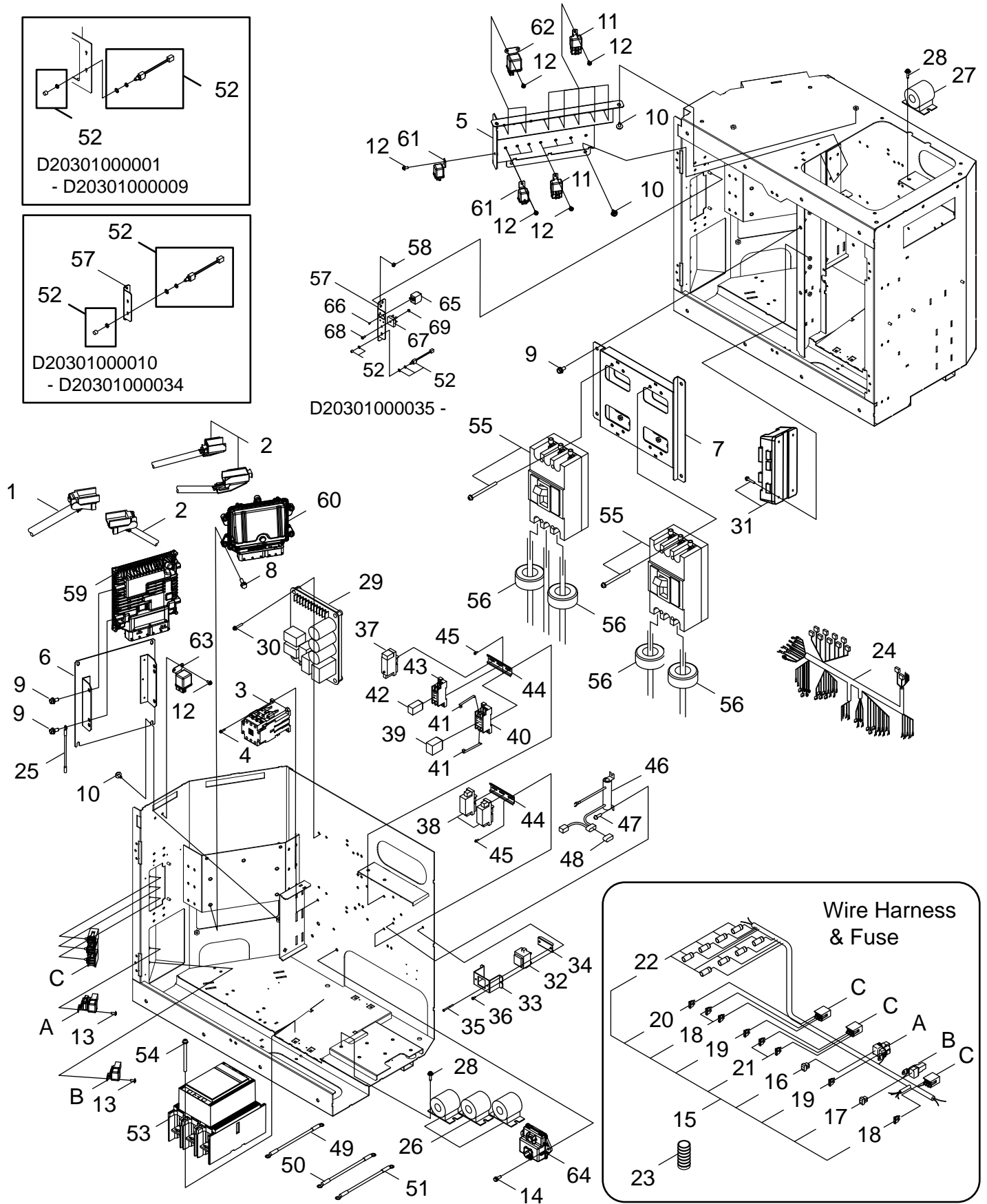
MAIN CONTROL PANEL



MAIN CONTROL PANEL

NO.	PART NUMBER	QTY.	DESCRIPTION
1	G370002970	1	UNIT,CONTROL
2	9156404012	4	SCREW,M4X12 SW
3	G369000070	1	UNIT,PARALLEL CONTROL
4	G370002990	1	UNIT,CONTROL
5	9146104012	11	SCREW,M4X12
6	G327000720	1	LAMP,PILOT
7	G328000050	1	+ LAMP
8	V494000910	1	CAP,TOGGLE SWITCH
9	A045000770	1	SWITCH,NKK S-2F ON-OFF
10	G334001100	1	SWITCH,AR22PR-311B SELECTOR
11	G334002210	1	SWITCH
12	G334001210	1	SWITCH
13	G363000940	1	HARNESS,WIRE

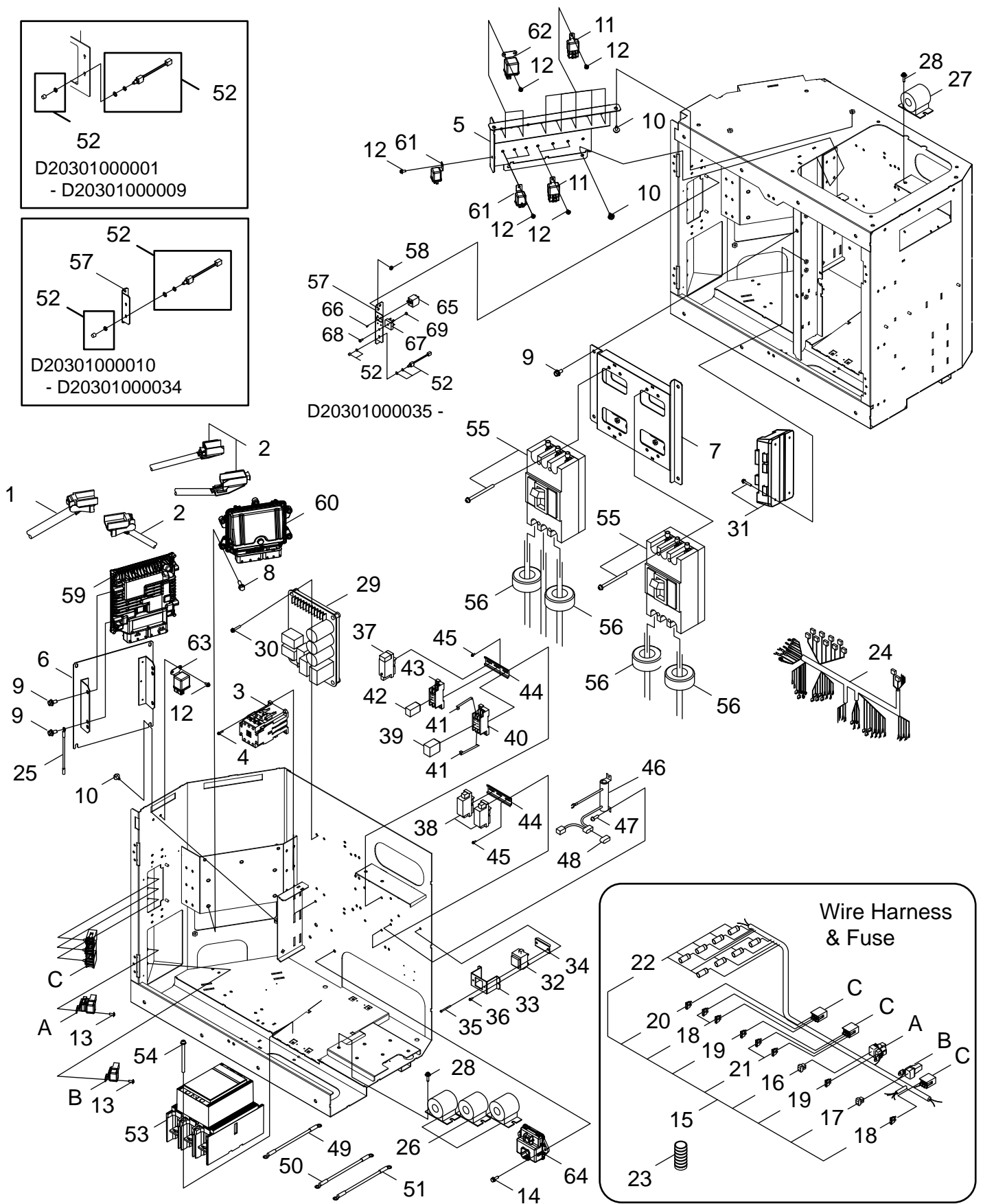
MAIN BREAKER AND CONTROL BOX



MAIN BREAKER AND CONTROL BOX

NO.	PART NUMBER	QTY.	DESCRIPTION	
1	G363001040	1	HARNESS,WIRE	
2	G363001050	1	HARNESS,WIRE	
3	G334002230	1	SWITCH	
4	9156404016	2	SCREW,4X16 SPW	
5	C528000980	1	STAY	
6	C528000990	1	STAY	
7	C528001000	1	STAY	
8	90014708030	5	BOLT,M8X30	
9	V205001170	8	BOLT,M8X20-SPW	
10	V204001090	8	BOLT,M6X16 FT SW	
11	G343000490	8	RELAY	
12	9156805012	18	SCREW,M5X12 W/SW	
13	9146305012	2	SCREW,M5X12 TRUSS	
14	9102406020	2	BOLT,M6X20 W/SW	
15	G363000984	1	WIRE HARNESS	
16	G350000250	1	+ FUSE,50A	
17	G350000210	1	+ FUSE,60A	
18	G350000230	3	+ FUSE,10A	
19	G350000270	2	+ FUSE,30A	
20	G350000220	1	+ FUSE,15A	
21	G350000240	2	+ FUSE,20A	
22	G347000020	8	+ DIODE	
23	V475005950	1	TUBE,50XL200	
24	G363001100	1	HARNESS,WIRE	D20301000001-20301000034
24	G367000031	1	WIRE HARNESS	20301000035-
25	M388000140	1	LEAD,1.25MM X L150	
26	M108000420	3	CT,ASM	
27	M108000270	1	CT,ASM	
28	9103606016	8	BOLT SW	
29	G370002070	1	UNIT,CONTROL	
30	9134105020	4	SCREW SW 5X20S	
31	G370003060	1	UNIT,CONTROL	
32	C163000070	1	TRANSFORMER	
33	C527001400	1	STAY	
34	C527001410	1	STAY	
35	9146104045	2	SCREW	
36	9156404012	2	SCREW,M4X12 SW	
37	G370002050	1	UNIT,CONTROL	
38	G370003070	2	UNIT,CONTROL	
39	G343000660	1	RELAY	
40	C153000200	1	SOCKET	
41	C519002640	2	STAY	
42	G343000670	1	RELAY,G2R-1-SND DC12V	
43	C153000680	1	SOCKET	
44	C607000270	2	RAIL	
45	9156404012	4	SCREW,M4X12 SW	

MAIN BREAKER AND CONTROL BOX

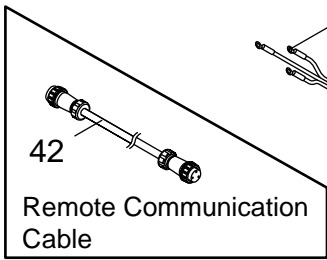
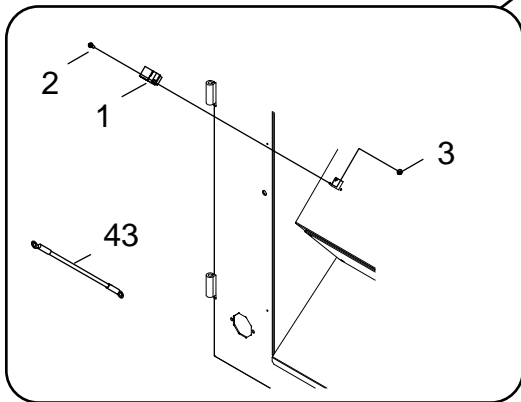
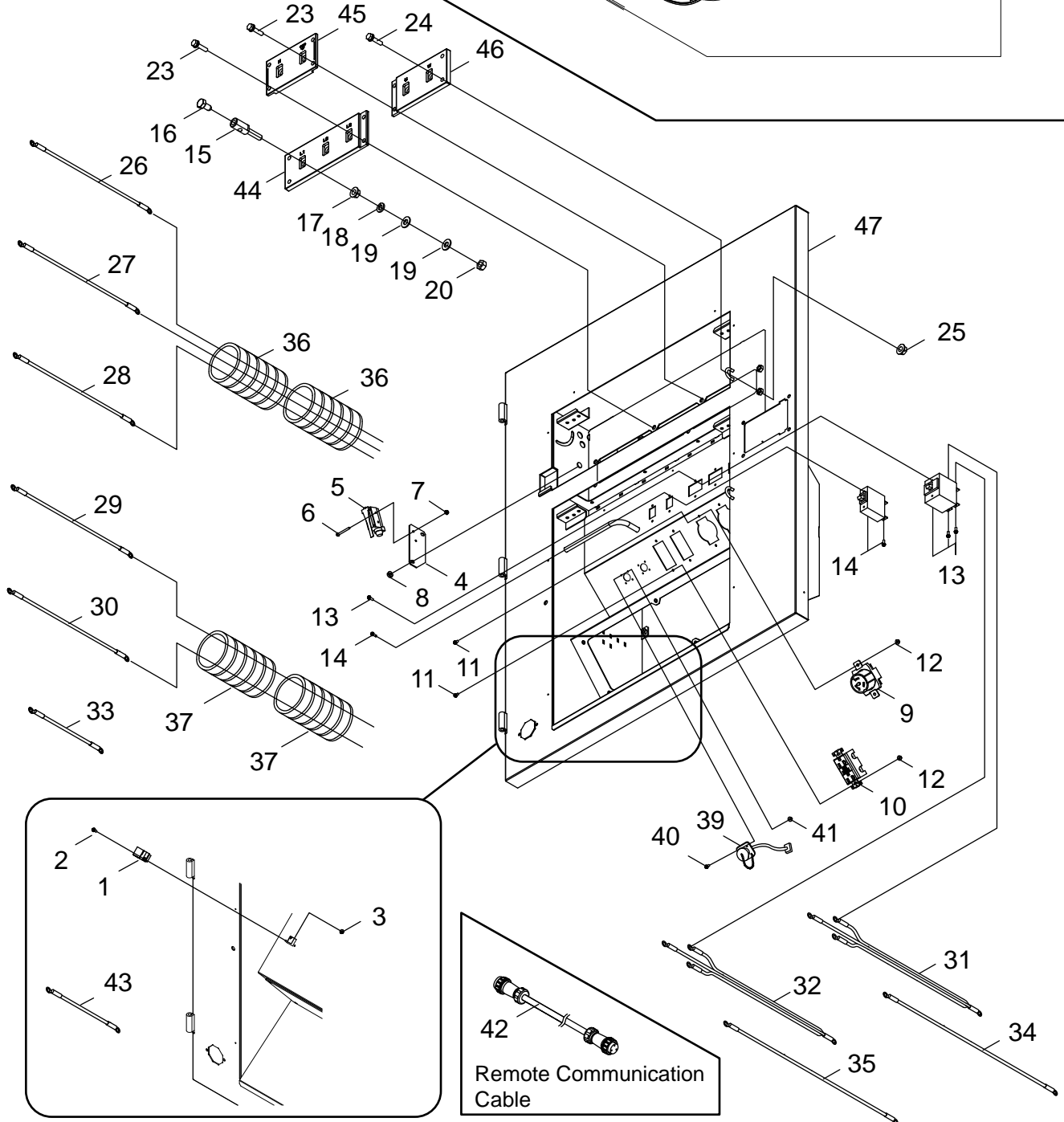
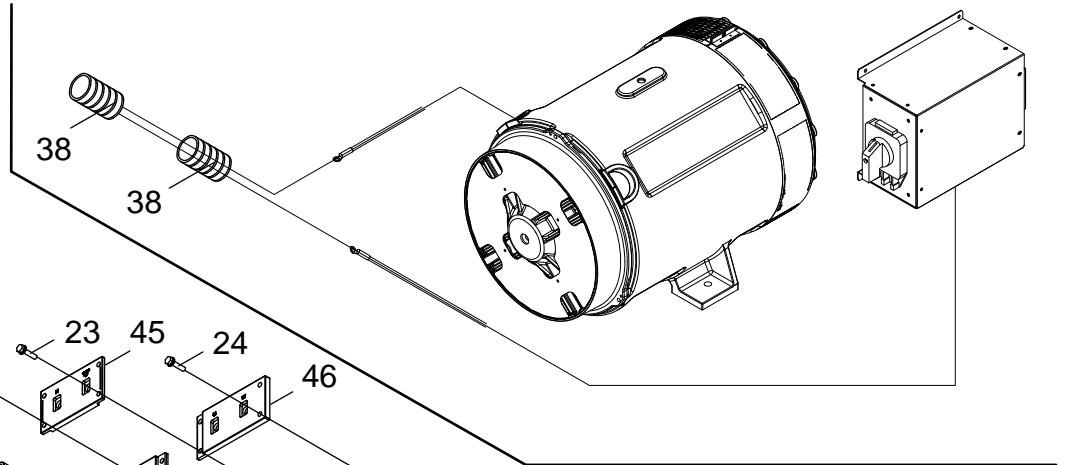
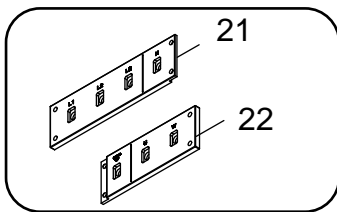


MAIN BREAKER AND CONTROL BOX

NO.	PART NUMBER	QTY.	DESCRIPTION	
46	M110000040	1	RESISTOR COMP	
47	9156404012	2	SCREW,M4X12 SW	
48	G347000020	1	DIODE	
49	M391000060	1	LEAD,60MM2 L900 L1	
50	M391000070	1	LEAD,60MM2 L900 L2	
51	M391000080	1	LEAD,60MM2 L900 L3	
52	G334002221	1	SWITCH	
53	G334001930	1	SWITCH	
54	9146105075	4	SCREW	
55	M126000370	2	BREAKER,E400-NF 3P 690V	
56	M108000380	4	CT-32 ASM	
57	C528001120	1	STAY,DGK125FP	D20301000010-+20301000034
57	C529000050	1	BRACKET	+20301000035-
58	V264000220	2	FLANGE NUT,M6 SERRATED	D20301000010-
59	I8976604930	1	CONTROL UNIT,ENG	
60	I8975109770	1	CONTROL UNIT,DEF	
61	I5825500290	4	RELAY	
62	I8970119490	2	RELAY,GLOW PLUG	
63	I8942481610	1	RELAY	
64	I8981331242	1	CONTROL UNIT,TURBO	
65	C137000600	1	CIRCUIT PROTECTOR	+20301000035-
66	9134103006	4	M3X6 SCREW	+20301000035-
67	M105000000	1	STARTER EXCITER	+20301000035-
68	9103604016	1	BOLT,M4X16	+20301000035-
69	V262000190	1	FLANGE NUT,M4 SERRATED	+20301000035-

POWER OUTPUT TERMINALS

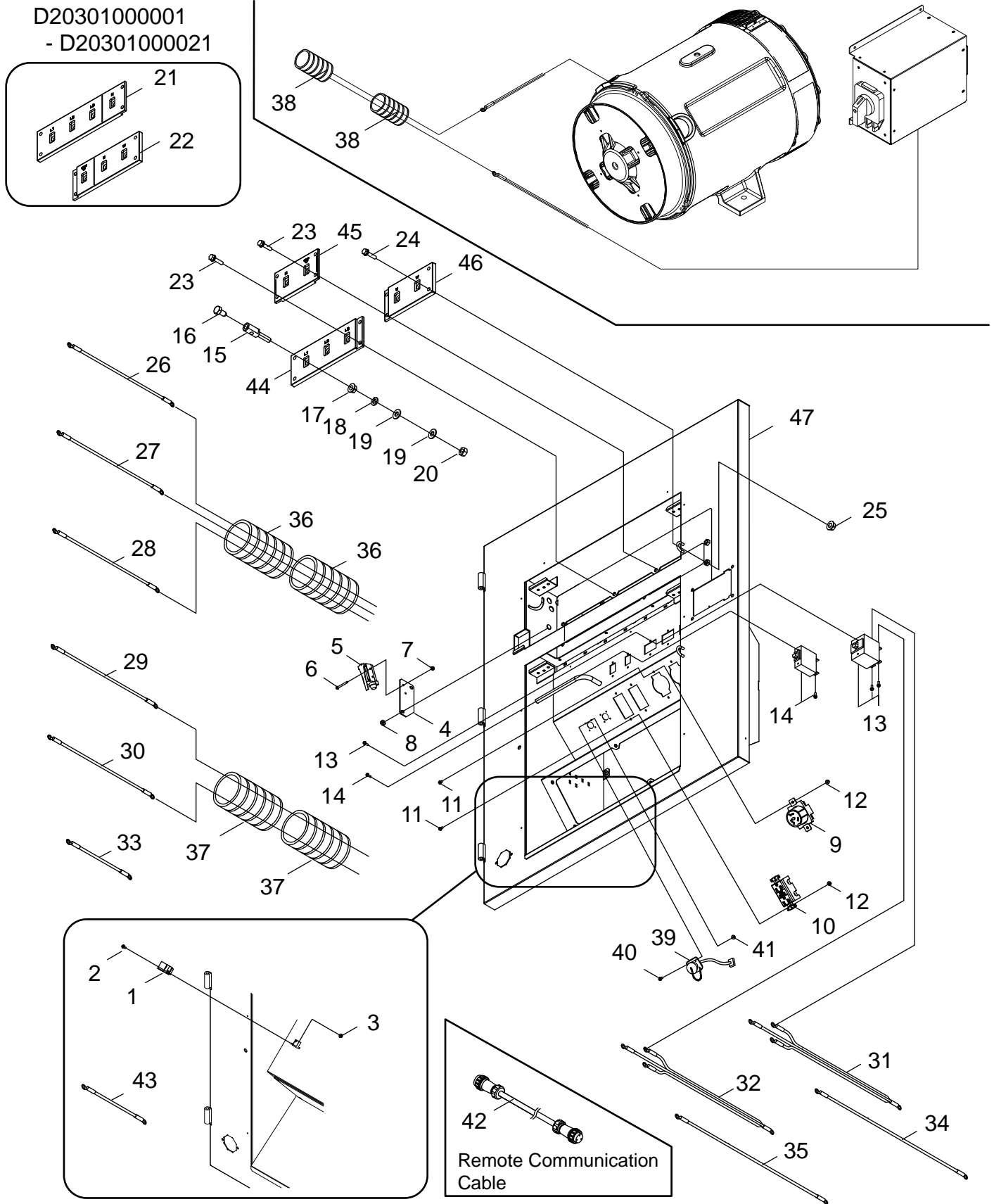
D2030100001
- D20301000021



POWER OUTPUT TERMINALS

NO.	PART NUMBER	QTY.	DESCRIPTION	
1	M308000680	1	BLOCK,TSU-281-2P TERMINAL	
2	9156403012	2	SCREW,M3X12 SW	
3	V261000010	2	FLANGE NUT,M3 SERRATED	
4	C528000181	1	MOUNTING BRACKET,LIMITER SWITCH	
5	G334002091	1	SWITCH	
6	9103104030	2	BOLT,M4X30 SW	
7	V262000190	2	FLANGE NUT,M4 SERRATED	
8	V264000220	2	FLANGE NUT,M6 SERRATED	
9	C154000170	3	PLUG SOCKET,TWIST LOCK 50A 125/250V	
10	C154000491	2	RECEPTACLE,GFCI 20A,125V	
11	9156404012	10	SCREW,M4X12 SW	
12	V262000190	10	FLANGE NUT,M4 SERRATED	
13	C137000070	3	CIRCUIT BREAKER,50A	
14	C137000080	2	CIRCUIT BREAKER,20A	
15	V229000000	7	TERMINAL POST,M16 - M20	
16	V211000020	7	BOLT,M20X34	
17	V270000040	7	FLANGE NUT,M16 SERRATED	
18	90060500016	7	WASHER,M16 SPRING	
19	9222716000	14	WASHER,M16	
20	9200516000	7	NUT,M16	
21	M307000450	1	PLATE,L1_L2_L3_N INST	D20301000001-D20301000021
22	M307000460	1	PLATE,GR_U_W INST	D20301000001-D20301000021
23	90014708030	5	BOLT,M8X30	D20301000001-D20301000021
23	90014708030	7	BOLT,M8X30	D20301000022-
24	9102408040	1	BOLT,M8X40 SW	
25	V265000290	1	FLANGE NUT,M8 SERRATED	
26	M390000080	1	LEAD	
27	M390000090	1	LEAD	
28	M390000100	1	LEAD	
29	M390000110	1	LEAD	
30	M390000120	1	LEAD	
31	M390000000	1	LEAD,5.5MM L430	
32	M390000010	1	LEAD,5.5MM L420	
33	M390000250	1	LEAD	
34	M390000310	1	LEAD	
35	M390000320	1	LEAD	
36	V475009530	2	TUBE,36.7X44X350	
37	V475009740	2	TUBE	
38	V475009550	2	TUBE,22.1X27X300	
39	C159000220	2	RECEPTACLE	
40	9156403012	8	SCREW,M3X12 SW	
41	V261000010	8	FLANGE NUT,M3 SERRATED	
42	V441000950	1	CABLE,CONTROL	
43	M390000070	1	LEAD	
44	M307000490	1	PLATE,L1,L2,L3 INST	D20301000022-
45	M307000500	1	PLATE,N GROUND INST	D20301000022-

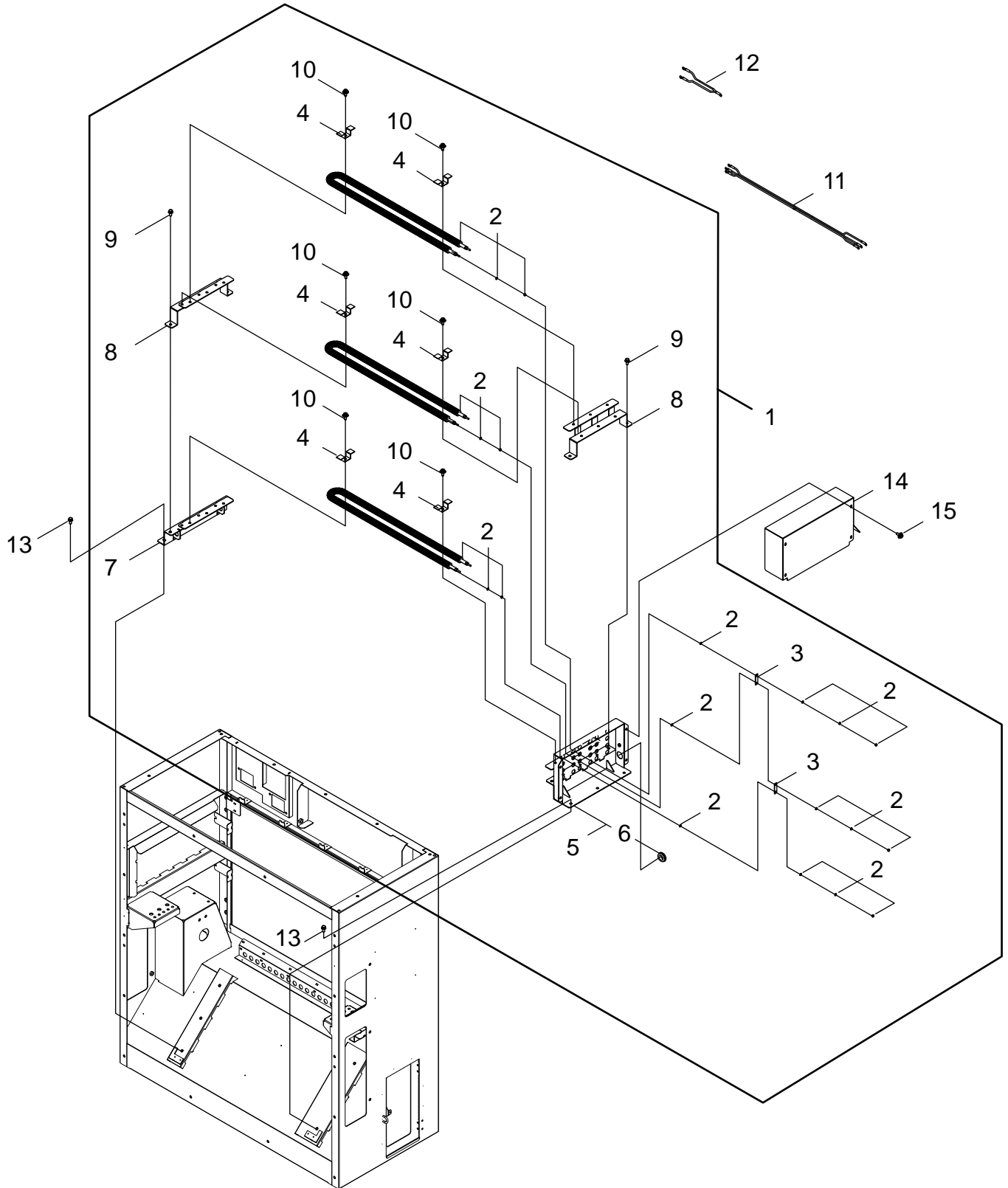
POWER OUTPUT TERMINALS



POWER OUTPUT TERMINALS

NO.	PART NUMBER	QTY.	DESCRIPTION	
46	M307000510	1	PLATE,U W INST	D20301000022-
47	M409001430	1	DOOR,SIDE	D20301000001-D20301000021
47	M409001431	1	DOOR,SIDE	

HEATER

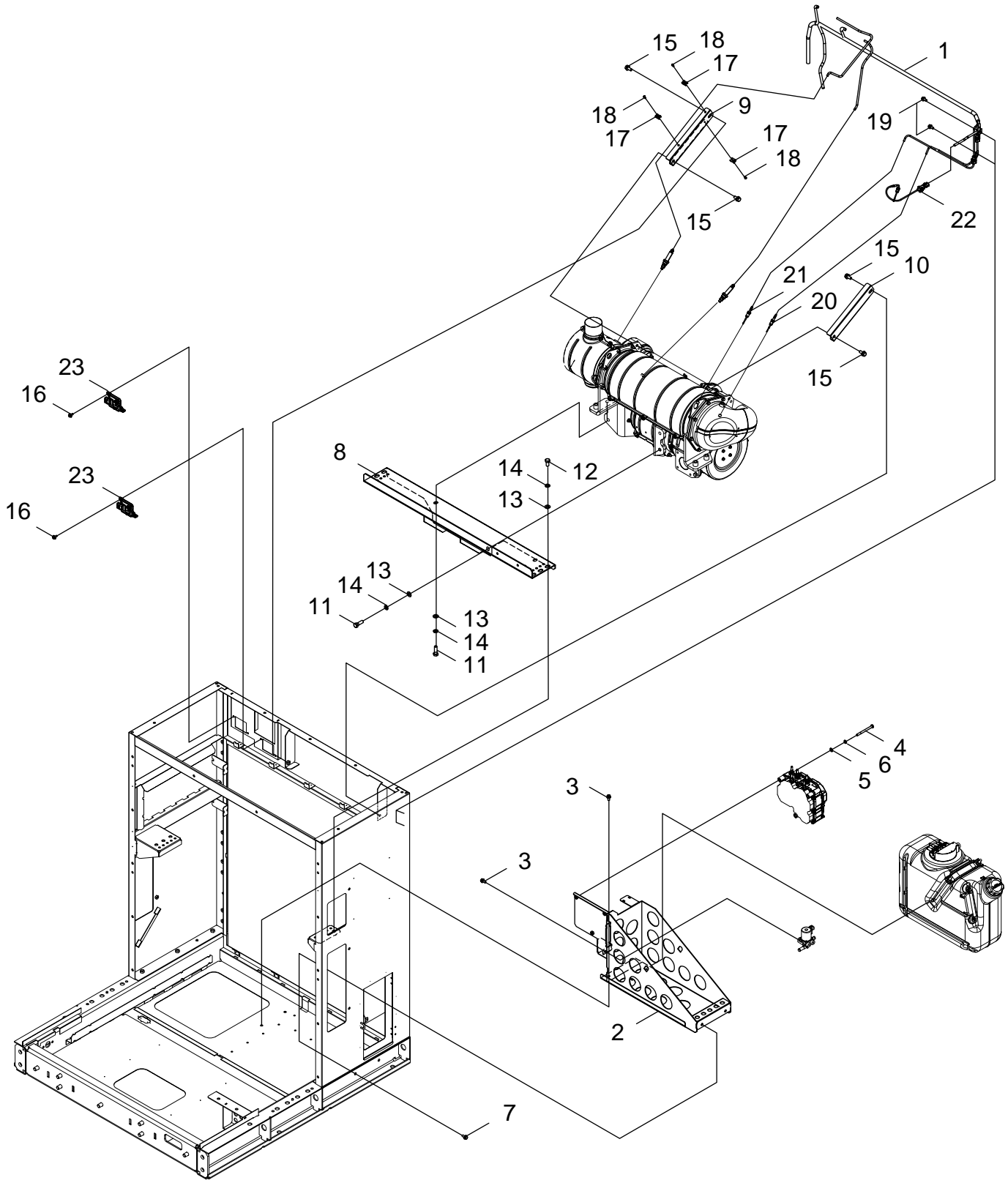


+ Denotes item is part of an assembly
++ Denotes item is part of a sub-assembly

HEATER

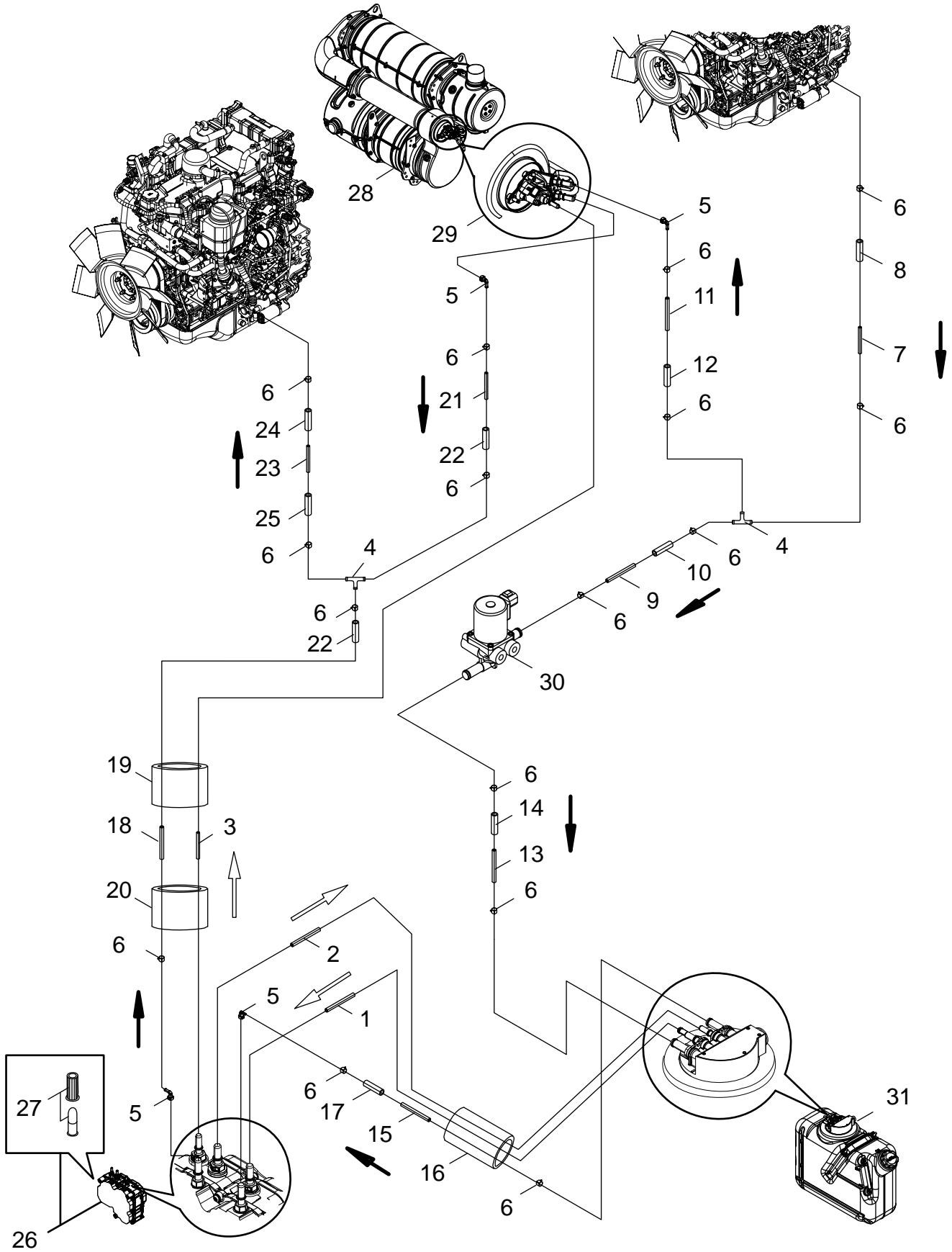
NO.	PART NUMBER	QTY.	DESCRIPTION
1	P028000010	1	HEATER ASSEMBLY
2	M110000770	9	+ RESISTER
3	V150002700	12	+ BUS BAR
4	V150003230	18	+ PLATE,EYE
5	M472000310	1	+ COVER,HEATER BOX BRACKET
6	V145000560	1	++ GROMMET
7	C528000720	1	+ STAY,LOWER HEATER BRACKET
8	C528000730	2	+ STAY,UPPER HEATER BRACKET
9	V205001420	4	+ BOLT,M8X20-SPW
10	V204002040	18	+ BOLT,M6X16
11	G363001020	1	HARNESS,WIRE
12	M390000260	1	LEAD
13	V205001420	6	BOLT,M8X20-SPW
14	M472000500	1	COVER
15	V205001420	4	BOLT,M8X20-SPW

SCR



NO.	PART NUMBER	QTY.	DESCRIPTION
1	G363001060	1	HARNESS,WIRE
2	C528000870	1	STAY,DEF TANK
3	V205001170	4	BOLT,M8X20-SPW
4	9100008095	3	BOLT,M8X95
5	90060200008	3	WASHER,M8
6	90060500008	3	WASHER,M8 SPRING
7	V205001420	2	BOLT,M8X20-SPW
8	C528000890	1	STAY
9	C528000900	1	STAY
10	C528000910	1	STAY
11	9100912040	8	BOLT,M12X40
12	90010412025	6	BOLT,M12X25
13	90062000012	14	WASHER,M12
14	90060900012	14	WASHER,M12 SPRING
15	V206000800	4	BOLT,M10X25-SPW
16	V204002040	4	BOLT,M6X16
17	M416000080	3	STOPPER,TM-3S10-30 BAND
18	9134305012	3	SCREW,M5X12
19	V205001420	2	BOLT,M8X20-SPW
20	I8981783581	1	SENSOR,FRONT OXYGEN
21	I8981867621	1	SENSOR,REAR OXYGEN
22	I8982387670	1	SENSOR,EXH TEMP DEF DCM
23	I8982465063	2	SENSOR,NOX DEF EXH

SCR PIPES



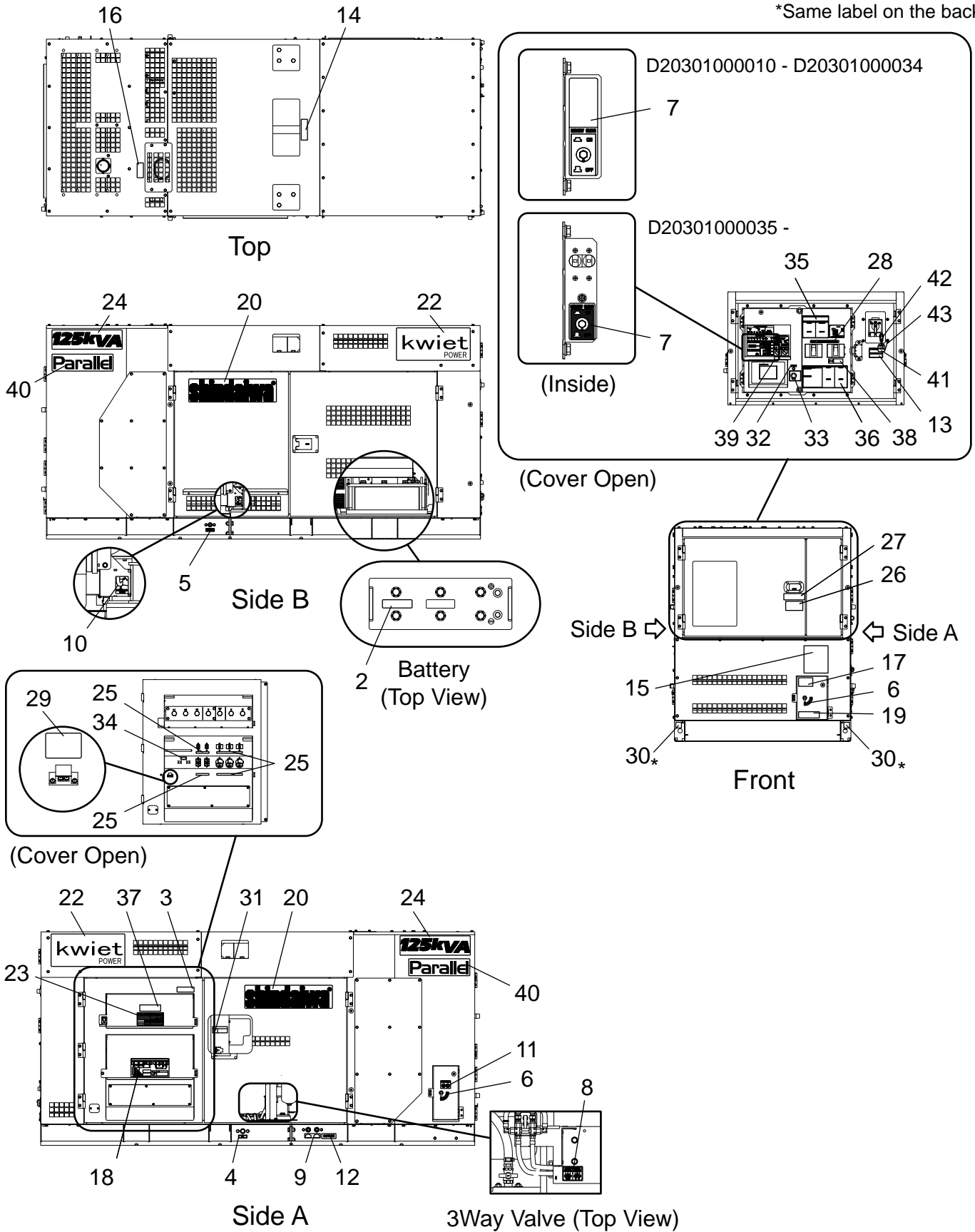
+ Denotes item is part of an assembly
 ++ Denotes item is part of a sub-assembly

SCR PIPES

NO.	PART NUMBER	QTY.	DESCRIPTION
1	K400003480	1	HOSE,4B1019
2	K400003490	1	HOSE,4B1020
3	K700002160	1	HOSE
4	M601000400	2	JOINT,4B1015
5	C152001050	4	CONNECTOR,4B1014
6	V495003600	16	BAND,KSA-1720
7	V465001460	1	HOSE,11.3XL1800
8	V476002500	1	TUBE
9	V465001500	1	HOSE
10	V476002510	1	TUBE
11	V465001510	1	HOSE
12	V476002520	1	TUBE
13	V465001140	1	HOSE
14	V476002040	1	TUBE
15	V465001130	1	HOSE
16	V476002030	1	TUBE,M10060 L400
17	V476002020	1	TUBE
18	V465001520	1	HOSE
19	V476002530	1	TUBE
20	V476002540	1	TUBE
21	V465001120	1	HOSE
22	V476002020	2	TUBE
23	V465001530	1	HOSE
24	V476001980	1	TUBE,M10019 L2000
25	V476002040	1	TUBE
26	I8982688113	1	PUMP ASM,SPLY DEF
27	I8983507160	1	FILTER KIT
28	I8983244980	1	DPD ASM
29	I8982318983	1	INJECTOR ASM,DEF DCM
30	I8981213062	1	VALVE ASM,HTR DLVY DEF TANK
31	I8982984473	1	TANK ASM,DEF

LABELS

*Same label on the back.



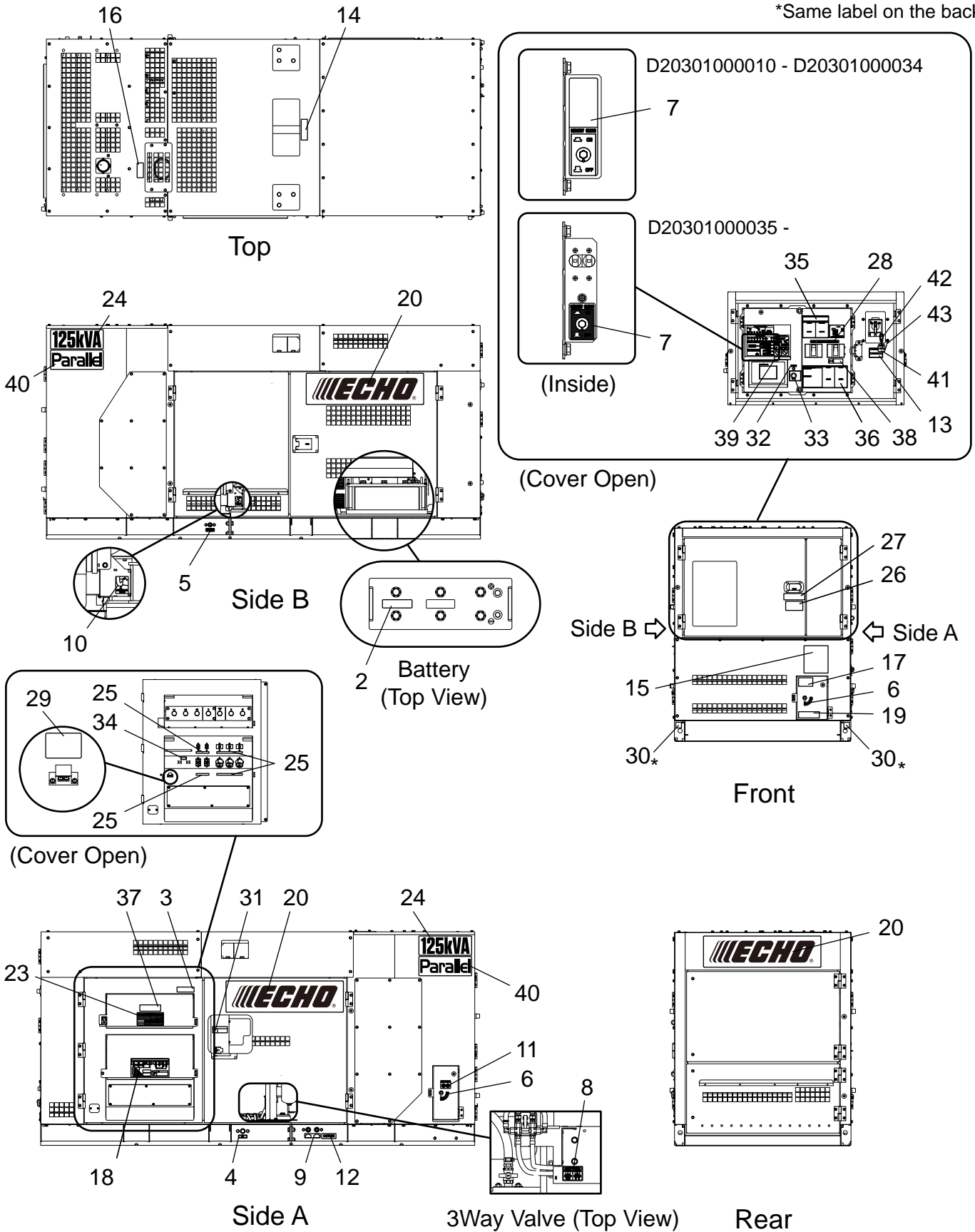
+ Denotes item is part of an assembly
 ++ Denotes item is part of a sub-assembly

LABELS

NO.	PART NUMBER	QTY.	DESCRIPTION	
2	X505010410	1	LABEL,PROPOSITION65/BATTERIES CAUTION	
3	M704002250	1	LABEL,TERMINAL COVER INSTRUCTIONS INST.	
4	M707000790	1	LABEL,OIL DRAIN INST	
5	M707000800	1	LABEL,WATER DRAIN INST	
6	M707000830	2	LABEL,OPEN-CLOSE INST	
7	M709000300	1	LABEL,INST	①20301000001-②20301000034
7	M710000170	1	LABEL,INST	①20301000035-
8	M709000350	1	LABEL,INST	
9	M707000410	1	LABEL,INST	
10	M709000360	1	LABEL,INST	
11	M708000070	1	LABEL,DEF ONLY INST	
12	M709000370	1	LABEL,INST	
13	X564001600	1	CAUTION LABEL	
14	X505007550	1	LABEL,WARNING:INJURY CAUTION	
15	X505010910	1	LABEL,CAUTION/WARNING	
16	X505007840	1	LABEL,CAUTION:GM SPEC LLC	
17	X505008400	1	LABEL,EPA REGULATION C CAUTION	
18	X564000570	1	LABEL,CAUTION	
19	X505007650	1	LABEL,WARNING/FIRE CAUTION	
20	X504008820	2	LABEL,SHINDAIWA BRAND	
22	M705001830	2	LABEL,FEATURE	
23	M705001610	1	LABEL,FEATURE	
24	X524007751	2	LABEL	
25	X524004350	1	LABEL,CIRCUIT BREAKER	
26	X505010400	1	LABEL,PROPOSITION65/OPERATING CAUTION	
27	X564000550	1	LABEL,CAUTION	
28	M709000380	1	LABEL,INST	
29	M709000310	1	LABEL,INST	
30	X564000530	4	LABEL,CAUTION WARNING/INJURIES TIE HOLE	
31	X505007830	1	LABEL,CAUTION	
32	M704000720	1	LABEL,INST	
33	M707000970	1	LABEL,INST	
34	M707000980	1	LABEL,INST	
35	M709000470	1	LABEL,OPERATION SINGLE INST	
36	M709000480	1	LABEL,OPERATION PRL INST	
37	X505009300	1	LABEL,CAUTION	
38	M709000290	1	LABEL,INST	
39	X564000560	1	LABEL,CAUTION	
40	M705001840	2	LABEL,FEATURE	
41	X564001590	1	CAUTION LABEL	
42	C649000590	1	HOOK	
43	X666000330	1	WIRE	

LABELS

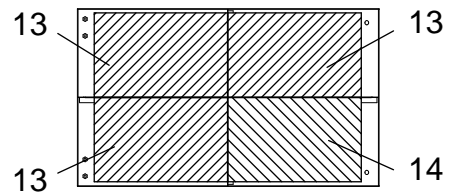
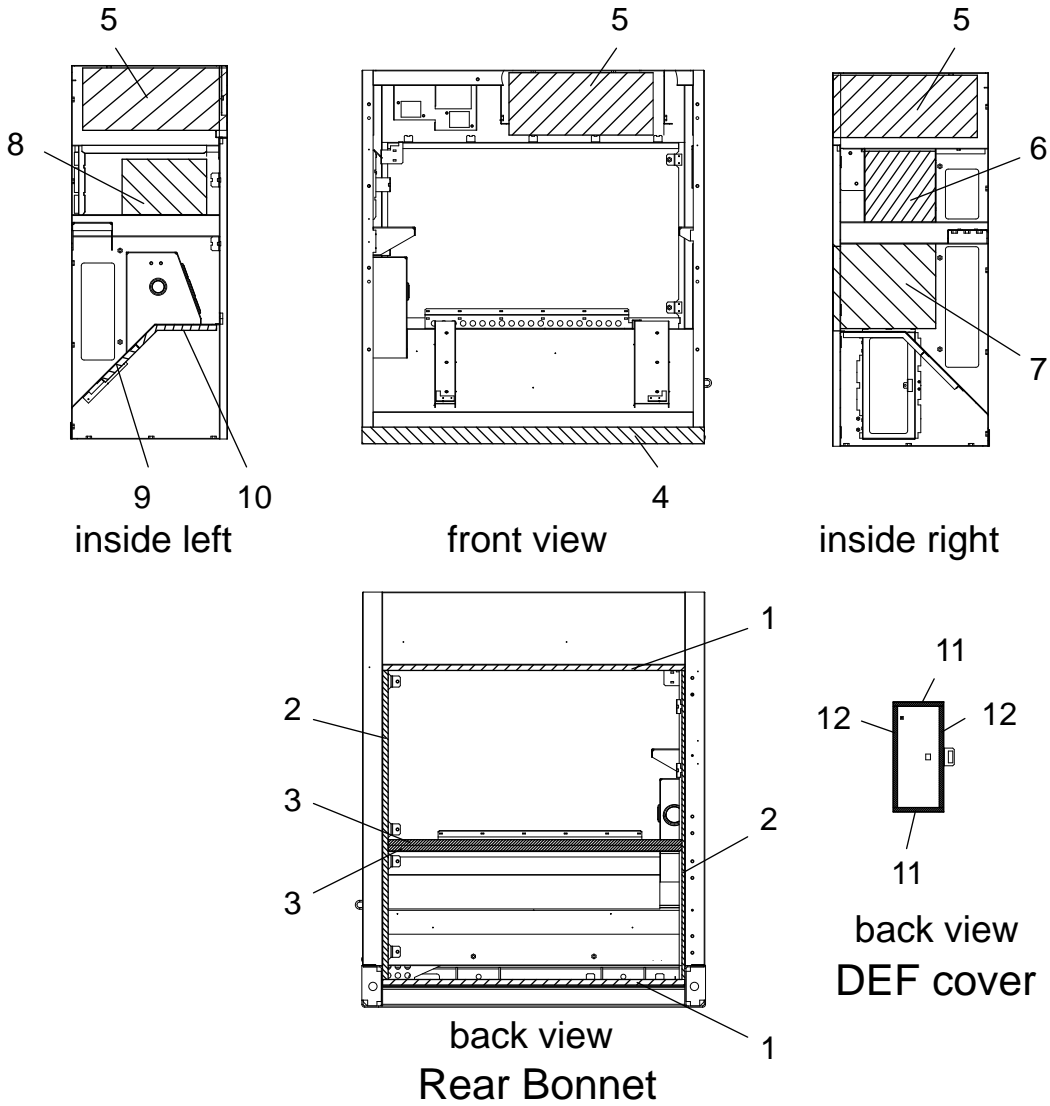
*Same label on the back.



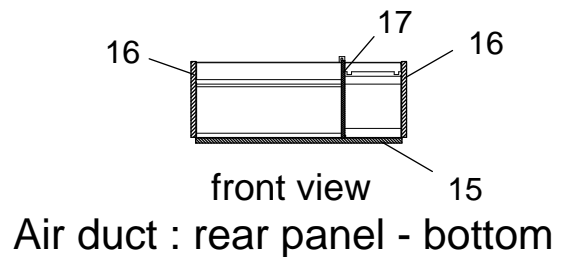
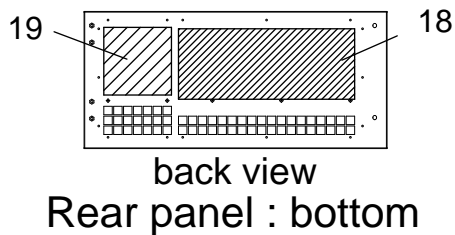
LABELS

NO.	PART NUMBER	QTY.	DESCRIPTION	
2	X505010410	1	LABEL,PROPOSITION65/BATTERIES CAUTION	
3	M704002250	1	LABEL,TERMINAL COVER INSTRUCTIONS INST.	
4	M707000790	1	LABEL,OIL DRAIN INST	
5	M707000800	1	LABEL,WATER DRAIN INST	
6	M707000830	2	LABEL,OPEN-CLOSE INST	
7	M709000300	1	LABEL,INST	20301000001-20301000034
7	M710000170	1	LABEL,INST	20301000035-
8	M709000350	1	LABEL,INST	
9	M707000410	1	LABEL,INST	
10	M709000360	1	LABEL,INST	
11	M708000070	1	LABEL,DEF ONLY INST	
12	M709000370	1	LABEL,INST	
13	X564001600	1	CAUTION LABEL	
14	X505007550	1	LABEL,WARNING:INJURY CAUTION	
15	X505010910	1	LABEL,CAUTION/WARNING	
16	X505007840	1	LABEL,CAUTION:GM SPEC LLC	
17	X505008400	1	LABEL,EPA REGULATION C CAUTION	
18	X564000570	1	LABEL,CAUTION	
19	X505007650	1	LABEL,WARNING/FIRE CAUTION	
20	X502001520	3	LABEL, ECHO	
23	M705001610	1	LABEL,FEATURE	
24	X586000180	2	LABEL	
25	X524004350	1	LABEL,CIRCUIT BREAKER	
26	X505010400	1	LABEL,PROPOSITION65/OPERATING CAUTION	
27	X564000550	1	LABEL,CAUTION	
28	M709000380	1	LABEL,INST	
29	M709000310	1	LABEL,INST	
30	X564000530	4	LABEL,CAUTION WARNING/INJURIES TIE HOLE	
31	X505007830	1	LABEL,CAUTION	
32	M704000720	1	LABEL,INST	
33	M707000970	1	LABEL,INST	
34	M707000980	1	LABEL,INST	
35	M709000470	1	LABEL,OPERATION SINGLE INST	
36	M709000480	1	LABEL,OPERATION PRL INST	
37	X505009300	1	LABEL,CAUTION	
38	M709000290	1	LABEL,INST	
39	X564000560	1	LABEL,CAUTION	
40	M705001840	2	LABEL,FEATURE	
41	X564001590	1	CAUTION LABEL	
42	C649000590	1	HOOK	
43	X666000330	1	WIRE	

REAR ENCLOSURE FRAME INSULATION



D1860100001 - D18601000027

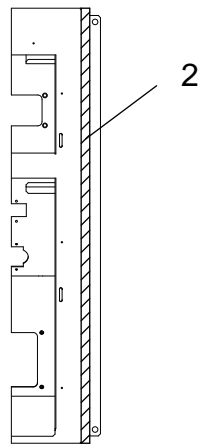
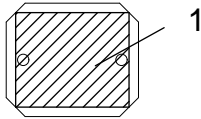


REAR ENCLOSURE FRAME INSULATION

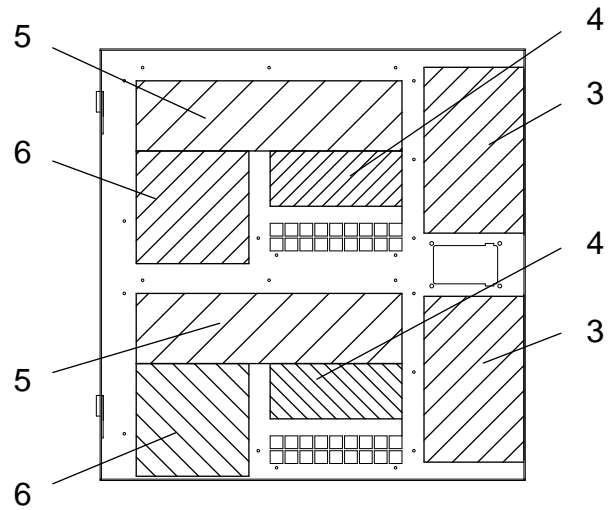
NO.	PART NUMBER	QTY.	DESCRIPTION	
1	J414002310	2	SEAL,T10X20X1090 REAR ENCLOSURE FRAME	REAR BONNET
2	J414002320	2	SEAL,T10X20XL1120 REAR ENCLOSURE FRAME	REAR BONNET
3	J414002330	2	SEAL,T10X20X1055 BASE FRAME REAR DOOR	REAR BONNET
4	V543000160	1	SEAL,T4X60X1235 REAR ENCLOSURE FRAME	REAR BONNET
5	V901000000	3	INSULATION,T40X225X520 REAR ENCLOSURE FRAME	REAR BONNET
6	V901000010	1	INSULATION,T10X255X255 REAR ENCLOSURE FRAME	REAR BONNET
7	V901000020	1	INSULATION,T40X300X370 REAR ENCLOSURE FRAME	REAR BONNET
8	V901000030	1	INSULATION,T40X200X305 REAR ENCLOSURE FRAME	REAR BONNET
9	V901000040	1	INSULATION,T20X170X1070 REAR ENCLOSURE FRAME	REAR BONNET
10	V901000050	1	INSULATION,T20X310X1045 REAR ENCLOSURE FRAME	REAR BONNET
11	V415000000	2	INSULATION,T3X14X170 DEF COVER	DEF COVER
12	V414000230	2	INSULATION,T3X14X345 DEF COVER	DEF COVER
13	V901000060	3	INSULATION,T30X300X475 REAR PANEL TOP	REAR PANEL :TOP
14	V901000070	1	INSULATION,T30X300X475 REAR PANEL TOP	REAR PANEL :TOP
15	V543000170	1	SEAL,T3X22X915 REAR PANEL BOTTOM AIR DUCT	AIR DUCT :REAR PANEL BOTTOM
16	V543000120	2	SEAL,T3X22X340 REAR PANEL BOTTOM AIR DUCT	AIR DUCT :REAR PANEL BOTTOM
17	V543000030	1	SEAL,T3X15X345 REAR PANEL BOTTOM AIR DUCT	AIR DUCT :REAR PANEL BOTTOM
18	V901000350	1	INSULATION,T10X250X625 REAR PANEL BOTTOM	REAR PANEL BOTTOM :D18601000001-D18601000027
19	V901000360	1	INSULATION,T20X240X240 REAR PANEL BOTTOM	REAR PANEL BOTTOM :D18601000001-D18601000027

ENCLOSURE FRAME REAR DOOR AND AIR DUCT INSULATION

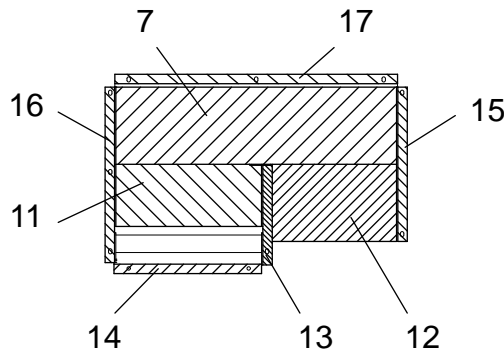
Front door battery cover



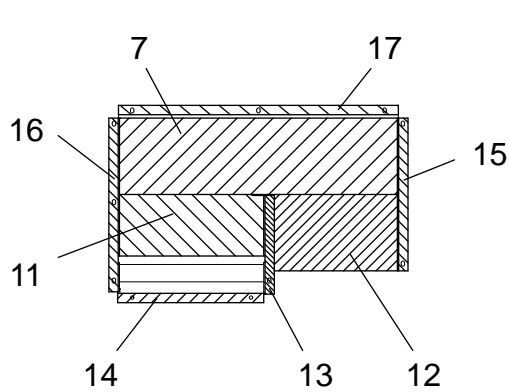
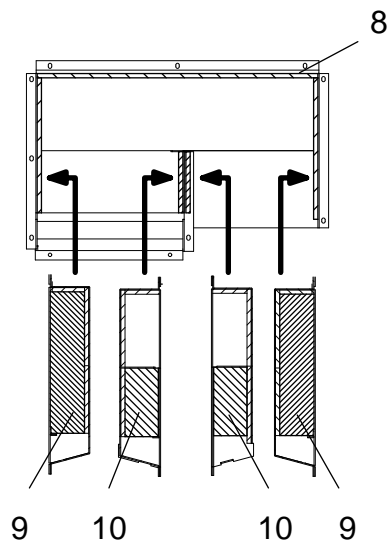
Front door : left view



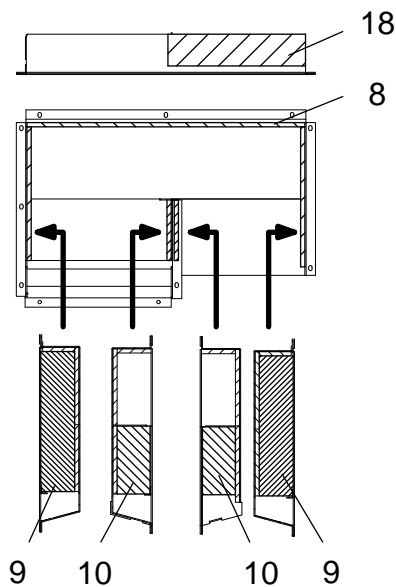
Rear door : back view



Air duct : top - rear door



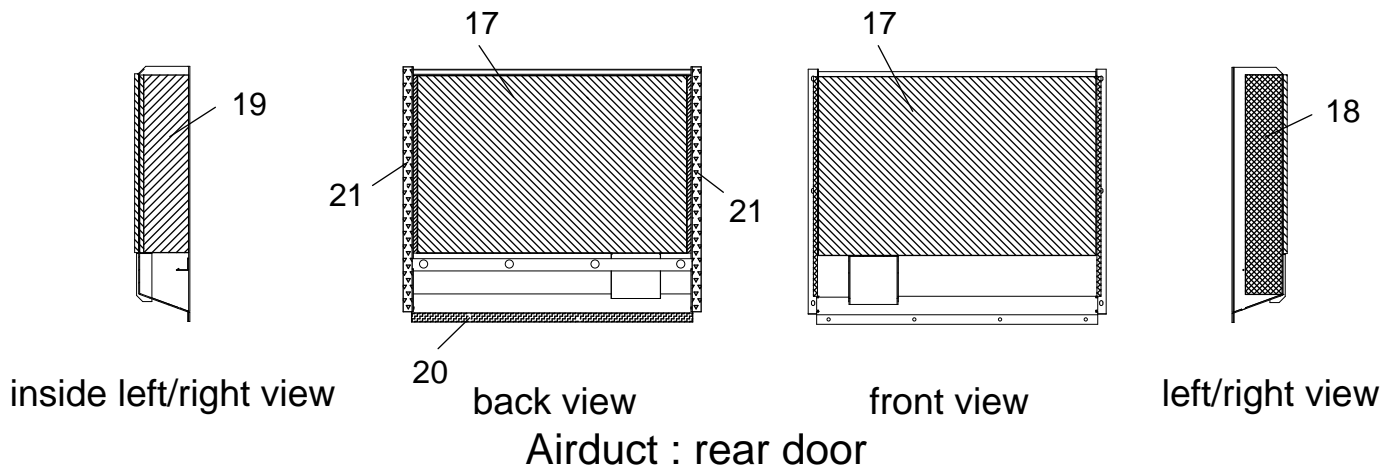
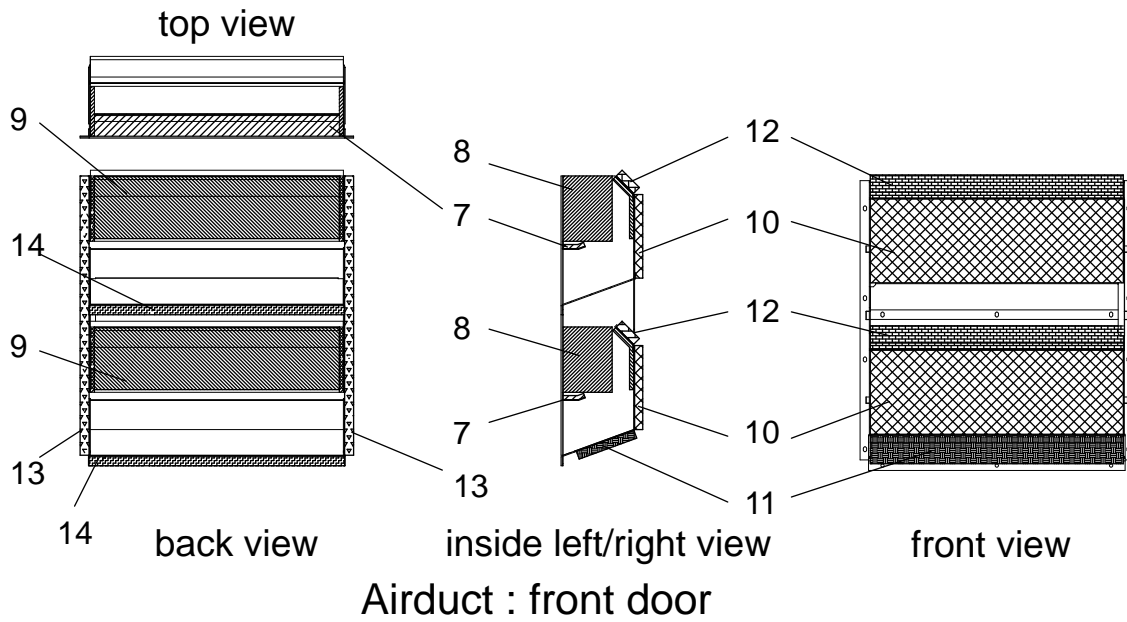
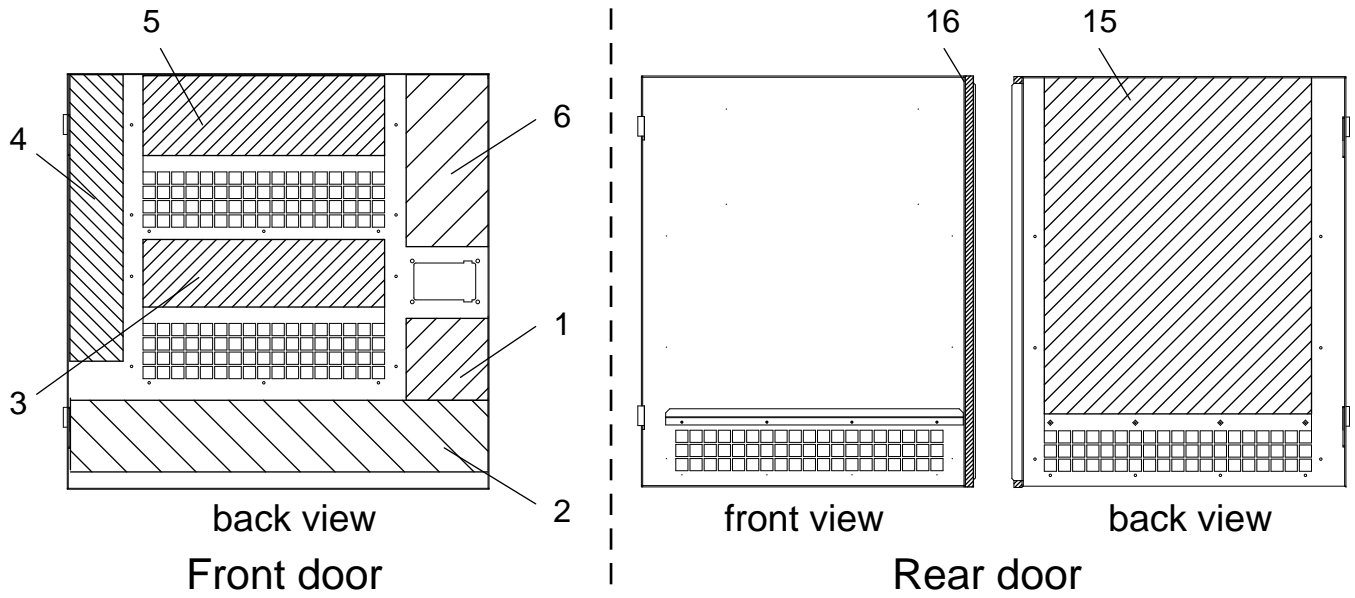
Air duct : bottom - rear door



ENCLOSURE FRAME REAR DOOR AND AIR DUCT INSULATION

NO.	PART NUMBER	QTY.	DESCRIPTION	
1	V543000150	1	SEAL,T4X50X60 BATTERY CHARGER PANEL	BATTERY CHARGER PANEL
2	J414002340	1	SEAL,T10X20X1020 ENCLOSURE FRAME FRONT DOOR	FRONT DOOR
3	V901000080	2	INSULATION,T40X235X390 REAR DOOR	REAR DOOR
4	V901000090	2	INSULATION,T10X130X310 REAR DOOR	REAR DOOR
5	V901000100	2	INSULATION,T10X165X625 REAR DOOR	REAR DOOR
6	V901000110	2	INSULATION,T10X265X265 REAR DOOR	REAR DOOR
7	V901000120	2	INSULATION,T10X180X655 REAR DOOR AIR DUCT	AIR DUCT :REAR DOOR
8	V901000130	2	INSULATION,T10X80X655 REAR DOOR AIR DUCT	AIR DUCT :REAR DOOR
9	V901000140	4	INSULATION,T10X80X330 REAR DOOR AIR DUCT	AIR DUCT :REAR DOOR
10	V901000150	4	INSULATION,T10X80X160 REAR DOOR AIR DUCT	AIR DUCT :REAR DOOR
11	V901000160	2	INSULATION,T10X160X340 REAR DOOR AIR DUCT	AIR DUCT :REAR DOOR
12	V901000170	2	INSULATION,T10X180X310 REAR DOOR AIR DUCT	AIR DUCT :REAR DOOR
13	V543000180	2	SEAL,T3X22X230 REAR DOOR AIR DUCT	AIR DUCT :REAR DOOR
14	V543000190	2	SEAL,T3X22X345 REAR DOOR AIR DUCT	AIR DUCT :REAR DOOR
15	V543000200	2	SEAL,T3X22X360 REAR DOOR AIR DUCT	AIR DUCT :REAR DOOR
16	V543000210	2	SEAL,T3X22X410 REAR DOOR AIR DUCT	AIR DUCT :REAR DOOR
17	V543000220	2	SEAL,T3X22X660 REAR DOOR AIR DUCT	AIR DUCT :REAR DOOR
18	V901000180	1	INSULATION,T20X75X325 REAR DOOR BOTTOM	AIR DUCT :REAR DOOR-BOTTOM

ENCLOSURE FRAME FRONT DOOR AND AIR DUCT INSULATION



ENCLOSURE FRAME FRONT DOOR AND AIR DUCT INSULATION

NO.	PART NUMBER	QTY.	DESCRIPTION	
1	V901000190	1	INSULATION,T40X200X200 FRONT DOOR	FRONT DOOR
2	V901000200	1	INSULATION,T40X175X1020 FRONT DOOR	FRONT DOOR
3	V901000210	1	INSULATION,T20X165X590 FRONT DOOR	FRONT DOOR
4	V901000220	1	INSULATION,T40X130X700 FRONT DOOR	FRONT DOOR
5	V901000230	1	INSULATION,T20X195X590 FRONT DOOR	FRONT DOOR
6	V901000240	1	INSULATION,T40X200X410 FRONT DOOR	FRONT DOOR
7	V901000250	2	INSULATION,T10X55X620 FRONT DOOR AIR DUCT	AIR DUCT :FRONT DOOR
8	V901000260	4	INSULATION,T10X120X160 FRONT DOOR AIR DUCT	AIR DUCT :FRONT DOOR
9	V901000270	2	INSULATION,T10X170X620 FRONT DOOR AIR DUCT	AIR DUCT :FRONT DOOR
10	V901000280	2	INSULATION,T20X200X620 FRONT DOOR AIR DUCT	AIR DUCT :FRONT DOOR
11	V901000290	1	INSULATION,T20X150X620 FRONT DOOR AIR DUCT	AIR DUCT :FRONT DOOR
12	V901000300	2	INSULATION,T20X60X620 FRONT DOOR AIR DUCT	AIR DUCT :FRONT DOOR
13	V543000230	2	SEAL,T3X22X685 FRONT DOOR AIR DUCT	AIR DUCT :FRONT DOOR
14	V543000240	2	SEAL,T3X22X625 FRONT DOOR AIR DUCT	AIR DUCT :FRONT DOOR
15	V901000310	1	INSULATION,T10X660X830 REAR DOOR	REAR DOOR
16	J414002340	1	SEAL,T10X20X1020 ENCLOSURE FRAME FRONT DOOR	REAR DOOR
17	V901000320	2	INSULATION,T10X435X680 REAR DOOR AIR DUCT	AIR DUCT :REAR DOOR
18	V901000330	2	INSULATION,T10X90X540 REAR DOOR AIR DUCT	AIR DUCT :REAR DOOR
19	V901000340	2	INSULATION,T10X110X435 REAR DOOR AIR DUCT	AIR DUCT :REAR DOOR
20	V543000230	1	SEAL,T3X22X685 FRONT DOOR AIR DUCT	AIR DUCT :REAR DOOR
21	V543000250	2	SEAL,T3X22X600	AIR DUCT :REAR DOOR