



## AVAILABLE ATTACHMENTS & ACCESSORIES

### Accessories

103942147	CS Carry Bag
89850308032	Bar & Chain Cover - 17"
89850308033	Bar & Chain Cover - 20"
99988800308	CS Lanyard Strap w_Ring
99988801205	CS Fixed Nose Case

### Guide Bars

16A0AD3366	Guide Bar - 16" (.050" Ga) -- ProAm Double Guard
18A0AD3372	Guide Bar - 18" (.050" Ga) -- ProAm Double Guard
20A0AD3378	Guide Bar - 20" (.050" Ga) -- ProAm Double Guard

### Sawing Chains

33SL66G	Sawing Chain - 16" (.050" Ga) -- Pro Guard
33SL72G	Sawing Chain - 18" (.050" Ga) -- Pro Guard
33SL78G	Sawing Chain - 20" (.050" Ga) -- Pro Guard

# PARTS CATALOG

## CS-440 Chain Saw

**43.6cc**

### SERIAL NUMBERS

S/N: 08001001 - 08999999

**ECHO, INCORPORATED**

400 Oakwood Road Lake Zurich, Illinois 60047 USA

WWW.ECHO-USA.COM



# Table of Contents

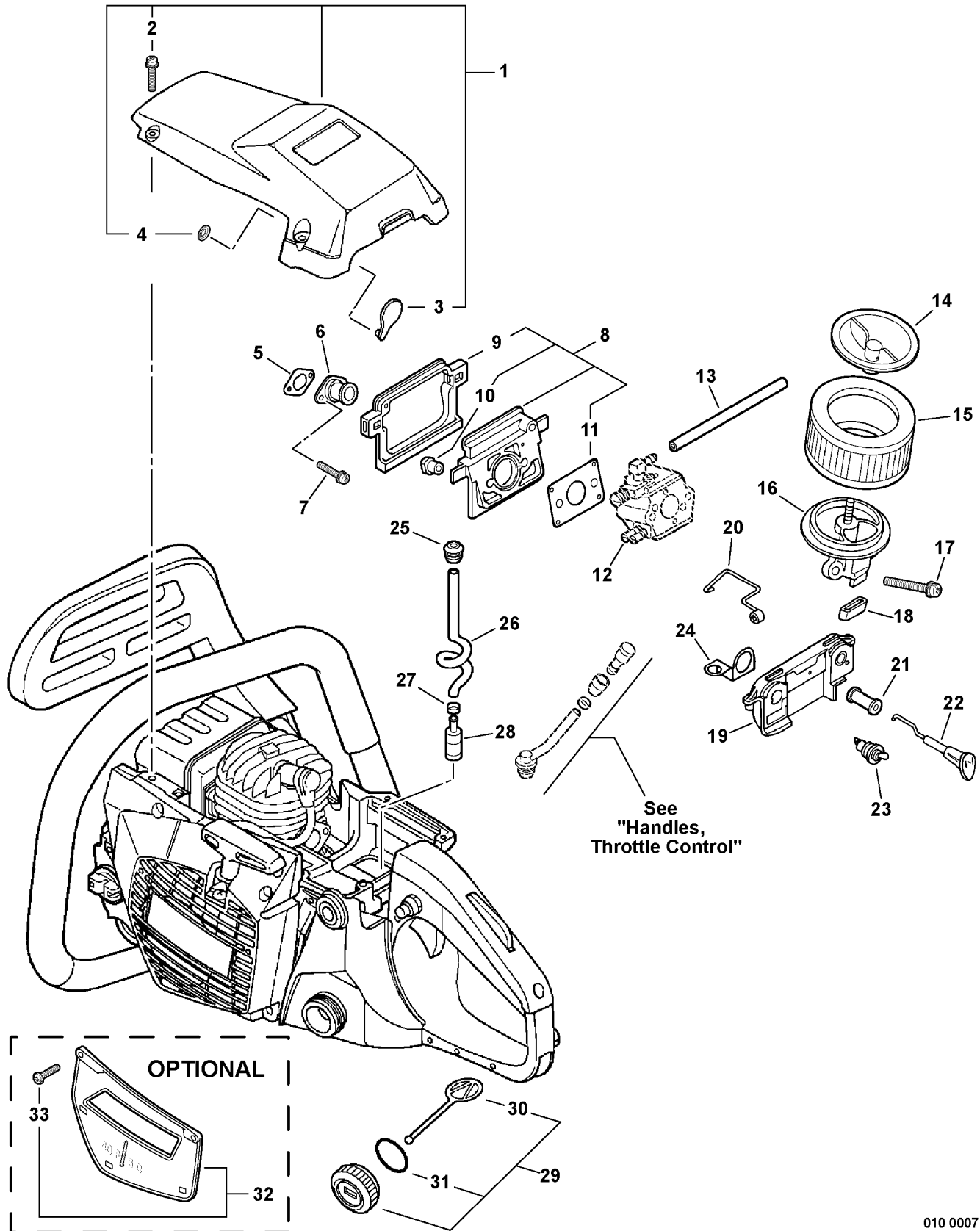
---

Click Any Diagram Description Below To View That Diagram.

## **CS-440 S/N: 08001001 - 08999999**

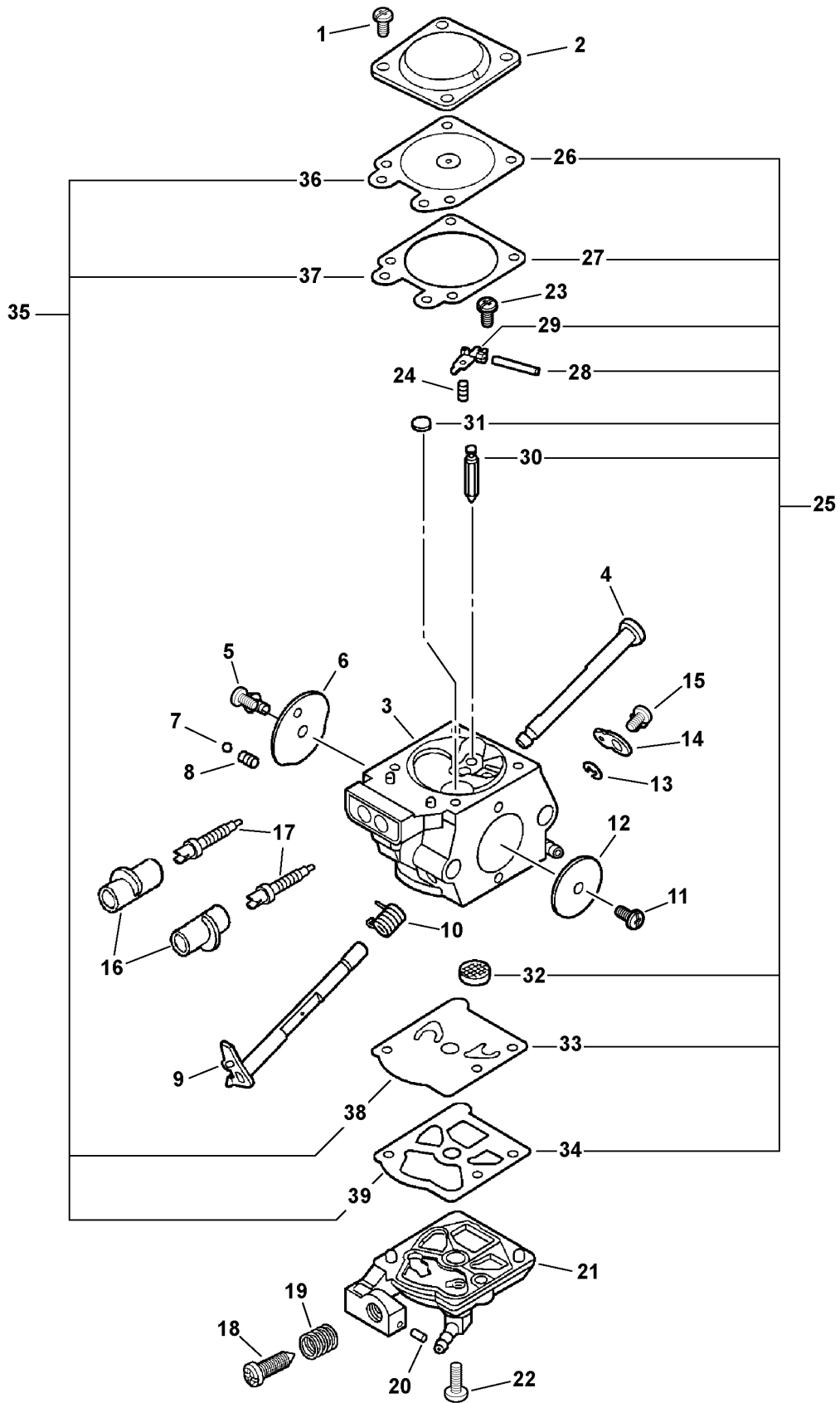
Cylinder Cover, Intake, Fuel System, Ignition Switch.....	4
Carburetor -- WT-416C.....	6
Exhaust.....	8
Starter.....	10
Ignition.....	12
Guide Bar, Sawing Chain, Kick Guard.....	14
Chain Brake.....	16
Clutch S/N: 08001001 - 08007504.....	18
Clutch S/N: 08007505 - 08999999.....	20
Handles, Throttle Control.....	22
Auto-Oiler, Oil Tank.....	24
Engine, Short Block -- SB1082, Engine Cover.....	26
Labels.....	28
Tools.....	30
Part Number Index.....	32
Part Description Index.....	33

***This Page Intentionally Left Blank***



010 0007 000

ITEM	PART NUMBER	QTY	DESCRIPTION	REMARKS
1	P021006570	1	CYLINDER COVER ASY	INCLUDES ITEMS 2-4
2	16389038330	3	SCREW 5	
3	10157938330	1	PLATE, WIND PROOF	
4	90058000004	1	PUSH, RING	
5	13001639930	1	GASKET, INTAKE	
6	13051039932	1	ADAPTER, INTAKE	
7	90023805012	2	SCREW 5X12	
8	13000038330	1	INSULATOR KIT	INCLUDES ITEMS 9-11
9	13036638330	1	CUSHION	
10	13002033330	2	NUT	
11	13001038330	1	GASKET, INTAKE	
12	12300039333	1	CARBURETOR -- WT-416C	
13	13011038330	1	PIPE, IMPULSE	
14	13040538331	1	CAP, AIR CLEANER	
15	13031038331	1	FILTER, AIR	
16	13030138332	1	ELBOW, CARBURETOR	
17	90016205050	2	SCREW 5X50	
18	13043038330	1	CUSHION	
19	16381038932	1	BRACKET	
20	17801138331	1	ROD, THROTTLE	
21	17881014532	1	GROMMET	
22	17851038330	1	ROD, CHOKE	
23	16340038330	1	SWITCH, IGNITION	
24	16341338930	1	TERMINAL, SWITCH	
25	13211504920	1	GROMMET	
26	13201038331	1	PIPE, FUEL	
27	13201326630	1	CLIP	
28	13120519830	1	FILTER, FUEL	
29	13100437931	1	FUEL TANK CAP ASY	INCLUDES ITEMS 30-31
30	A365000050	1	RETAINER, CAP	
31	90072000022	1	O-RING 22	
32	P021008860	1	SNOW SHIELD KIT	OPTIONAL
33	90023504014	2	SCREW 4X14	

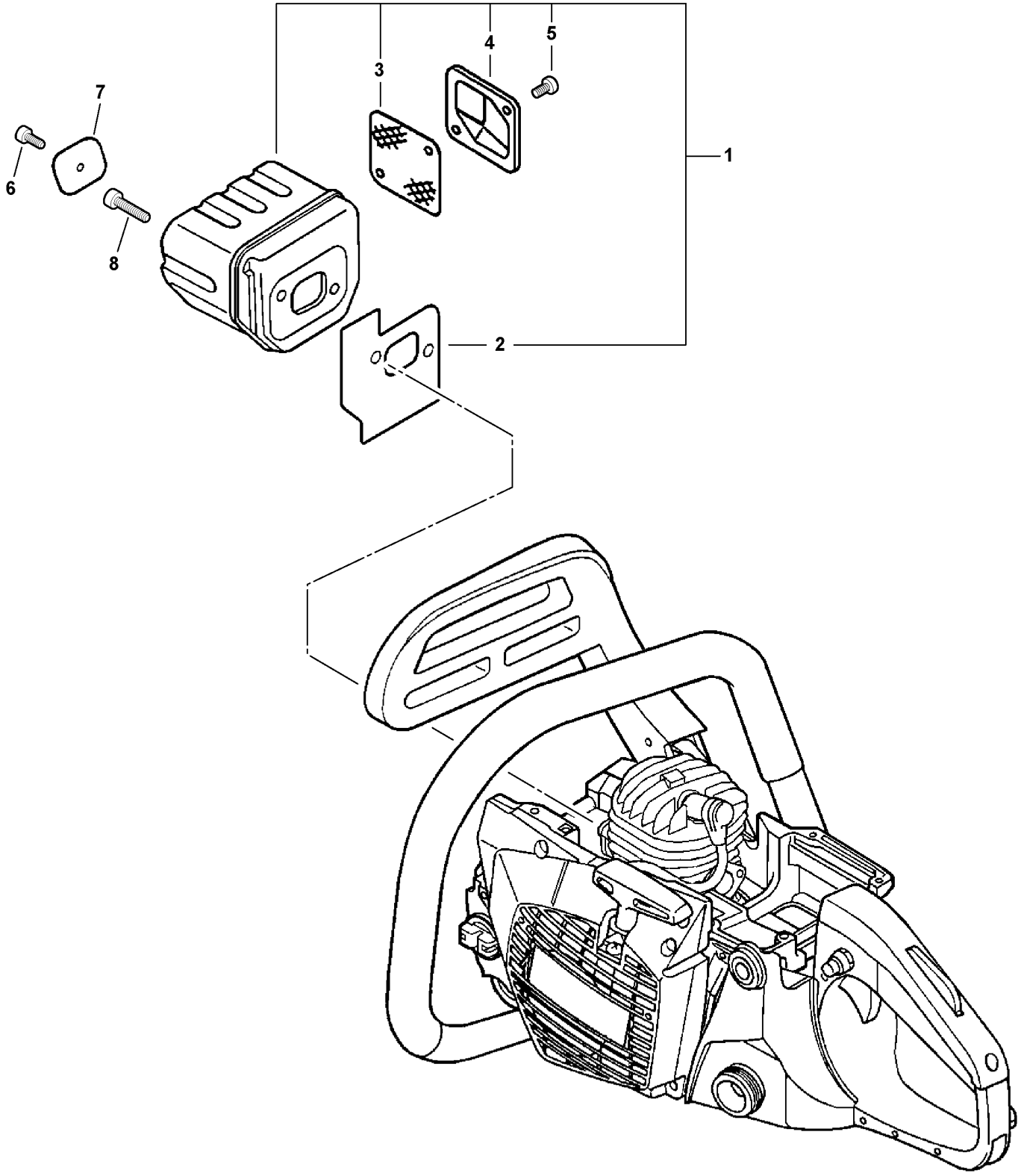


WT416C 0000 000

ITEM	PART NUMBER	QTY	DESCRIPTION	REMARKS
	12300039333	1	CARBURETOR -- WT-416C	
1	12313002960	4	SCREW, METERING DIAPHRAGM COVER	
2	12314203930	1	COVER, METERING DIAPHRAGM	
3	-----	1	BODY, CARBURETOR <sup>1</sup>	
4	12313135430	1	SHAFT, CHOKE	
5	12311433830	1	SCREW, CHOKE VALVE	
6	12313237330	1	VALVE, CHOKE	
7	12313610630	1	BALL, CHOKE FRICTION	
8	12313510630	1	SPRING, CHOKE FRICTION BALL	
9	12311739330	1	SHAFT, THROTTLE	
10	12311337530	1	SPRING, THROTTLE RETURN	
11	12311433830	1	SCREW, THROTTLE VALVE	
12	12311610530	1	VALVE, THROTTLE	
13	12312715030	1	CLIP, THROTTLE SHAFT	
14	12315038330	1	LEVER, THROTTLE	
15	12311433830	1	SCREW, THROTTLE LEVER	
16	P003000010	2	CAP, MIXTURE LIMITER	
17	12312003661	2	NEEDLE, ADJUSTMENT	
18	12313404260	1	SCREW, IDLE ADJUST	
19	12313304260	1	SPRING, IDLE ADJUST	
20	12317815030	1	PLUG, FRICTION	
21	12312438330	1	COVER, FUEL PUMP	
22	12311003930	1	SCREW, PUMP COVER	
23	12313903930	1	SCREW, METERING LEVER PIN	
24	12312239330	1	SPRING, METERING LEVER	
25	12310037330	1	REPAIR KIT	INCLUDES ITEM 26-34
26	-----	1	DIAPHRAGM, METERING	
27	-----	1	GASKET, METERING DIAPHRAGM	
28	-----	1	PIN, METERING LEVER	
29	-----	1	LEVER, METERING	
30	-----	1	VALVE, INLET NEEDLE	
31	-----	1	PLUG, WELCH	
32	-----	1	SCREEN, INLET	
33	-----	1	DIAPHRAGM, FUEL PUMP	
34	-----	1	GASKET, FUEL PUMP	
35	12310137330	1	DIAPHRAGM/GASKET KIT	INCLUDES ITEM 36-39
36	-----	1	DIAPHRAGM, METERING	
37	-----	1	GASKET, METERING DIAPHRAGM	
38	-----	1	DIAPHRAGM, FUEL PUMP	
39	-----	1	GASKET, FUEL PUMP	

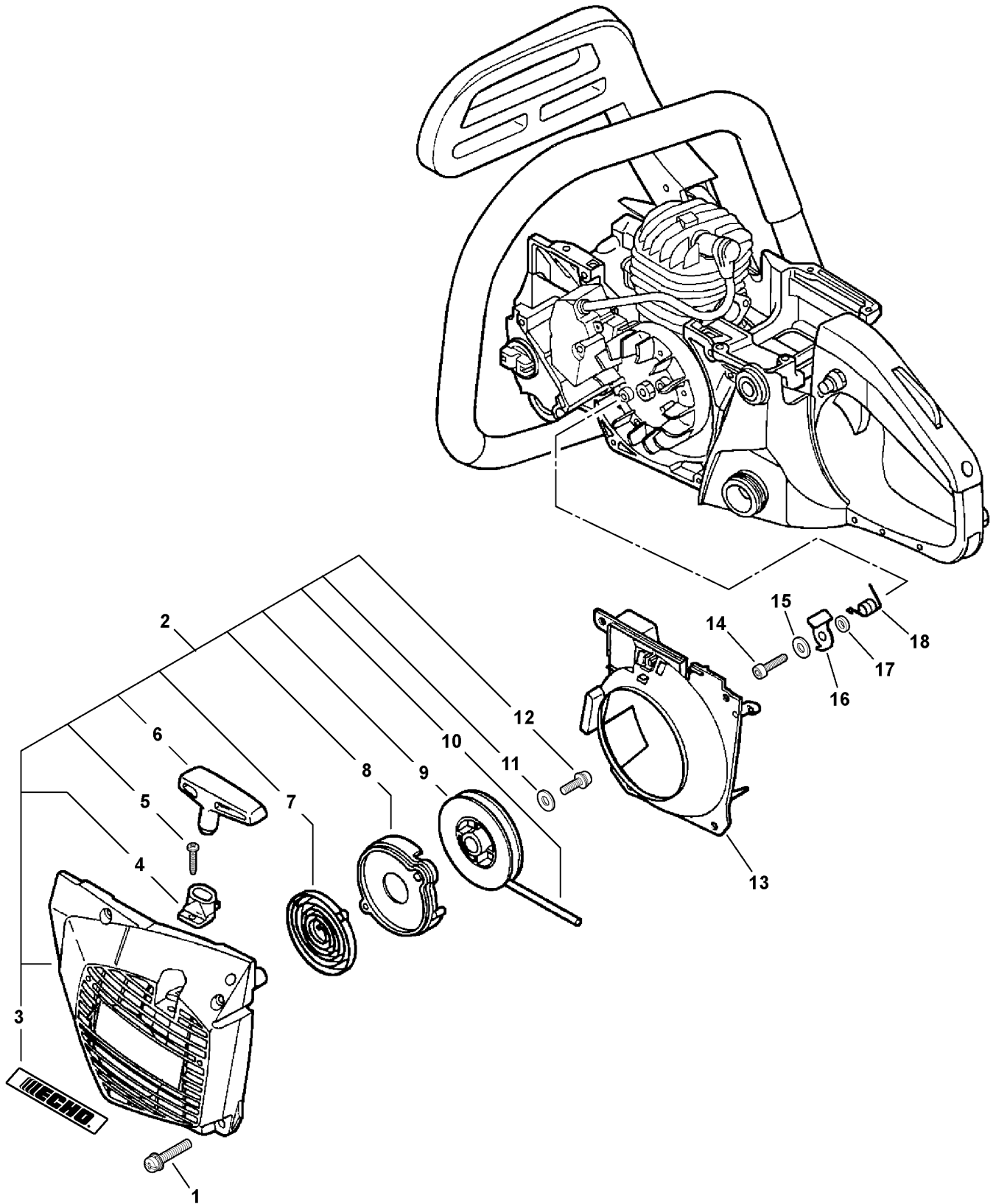
**Footnotes**

1: NOT AVAILABLE SEPARATELY



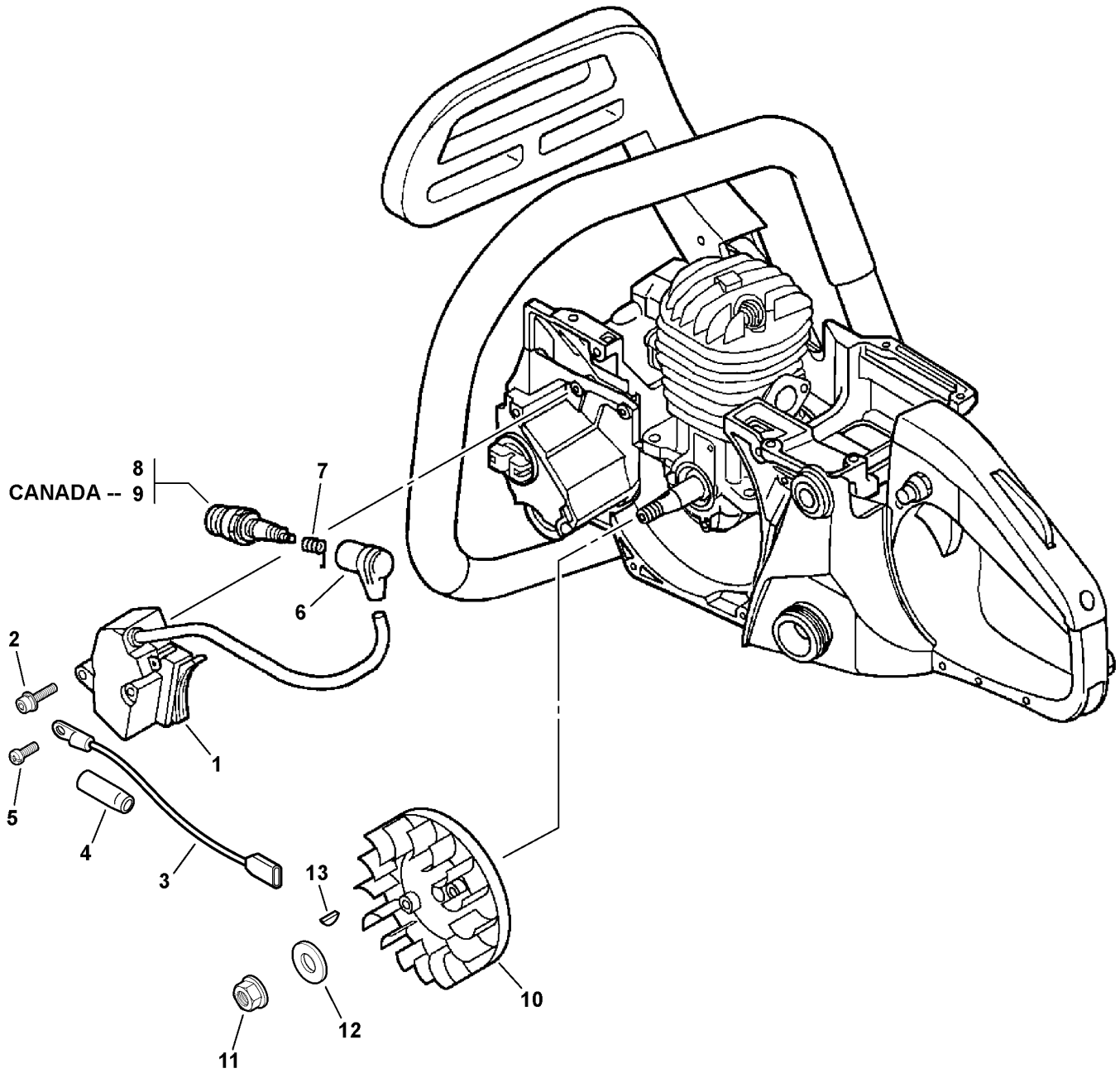
011 0006 000

ITEM	PART NUMBER	QTY	DESCRIPTION	REMARKS
1	P021006591	1	MUFFLER ASY	INCLUDES ITEMS 2-5
2	V104000580	1	GASKET, EXHAUST	
3	14588439330	1	SCREEN	
4	A303000050	1	GUIDE, EXHAUST	
5	90025004008	2	SCREW 4X8	
6	90010504006	1	SCREW 4X6	
7	14571160631	1	PLATE	
8	90010505014	2	SCREW 5X14	



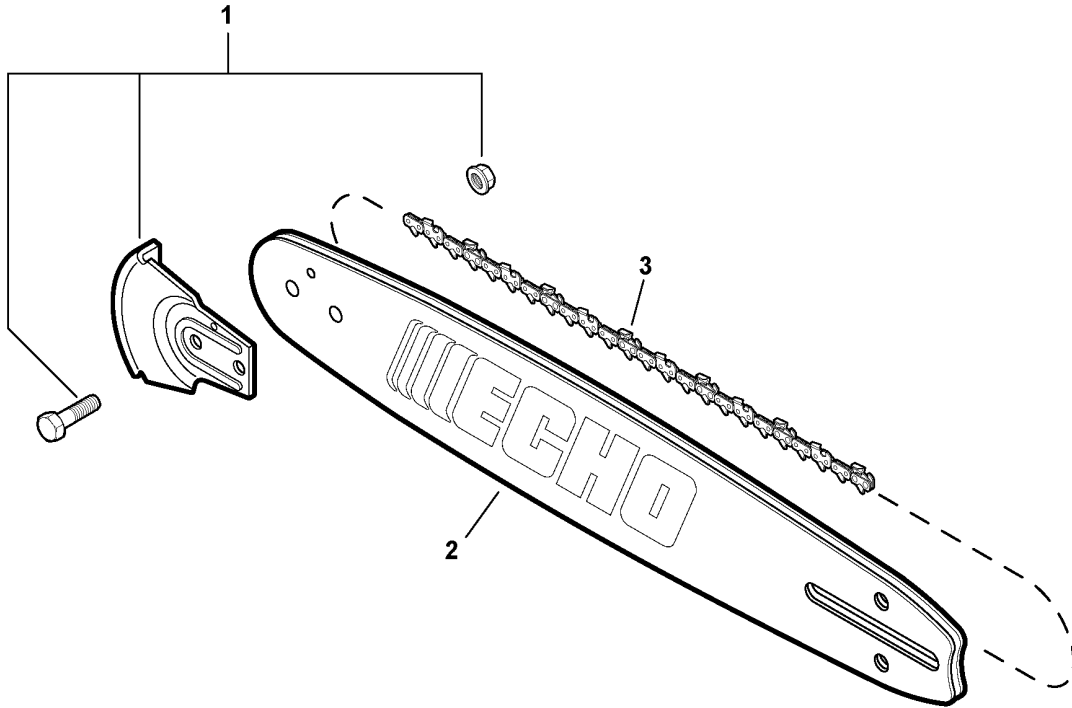
015 0005 000

ITEM	PART NUMBER	QTY	DESCRIPTION	REMARKS
1	90023805018	4	SCREW 5X18	
2	17720039335	1	STARTER ASY	INCLUDES ITEMS 3-12
3	X502000010	1	LABEL - ECHO	
4	17722737930	1	GUIDE, ROPE	
5	90029603014	1	SCREW 3X14	
6	17722835430	1	GRIP, STARTER	
7	17722035430	1	SPRING, REWIND	
8	17722138330	1	PLATE, STARTER	
9	17721538330	1	DRUM, STARTER	
10	17722638330	1	ROPE, STARTER - 3.5X 960mm	REPOWER BULK OPTION: 99944445000
11	17721402830	1	WASHER	
12	90023805012	1	SCREW 5X12	
13	A172000062	1	COVER, FAN	
14	V203000090	2	SCREW 5X14	
15	90060300005	2	WASHER 5	
16	17721819830	2	PAWL, STARTER	
17	17724704630	2	SPACER	
18	17723435430	2	SPRING, RETURN	



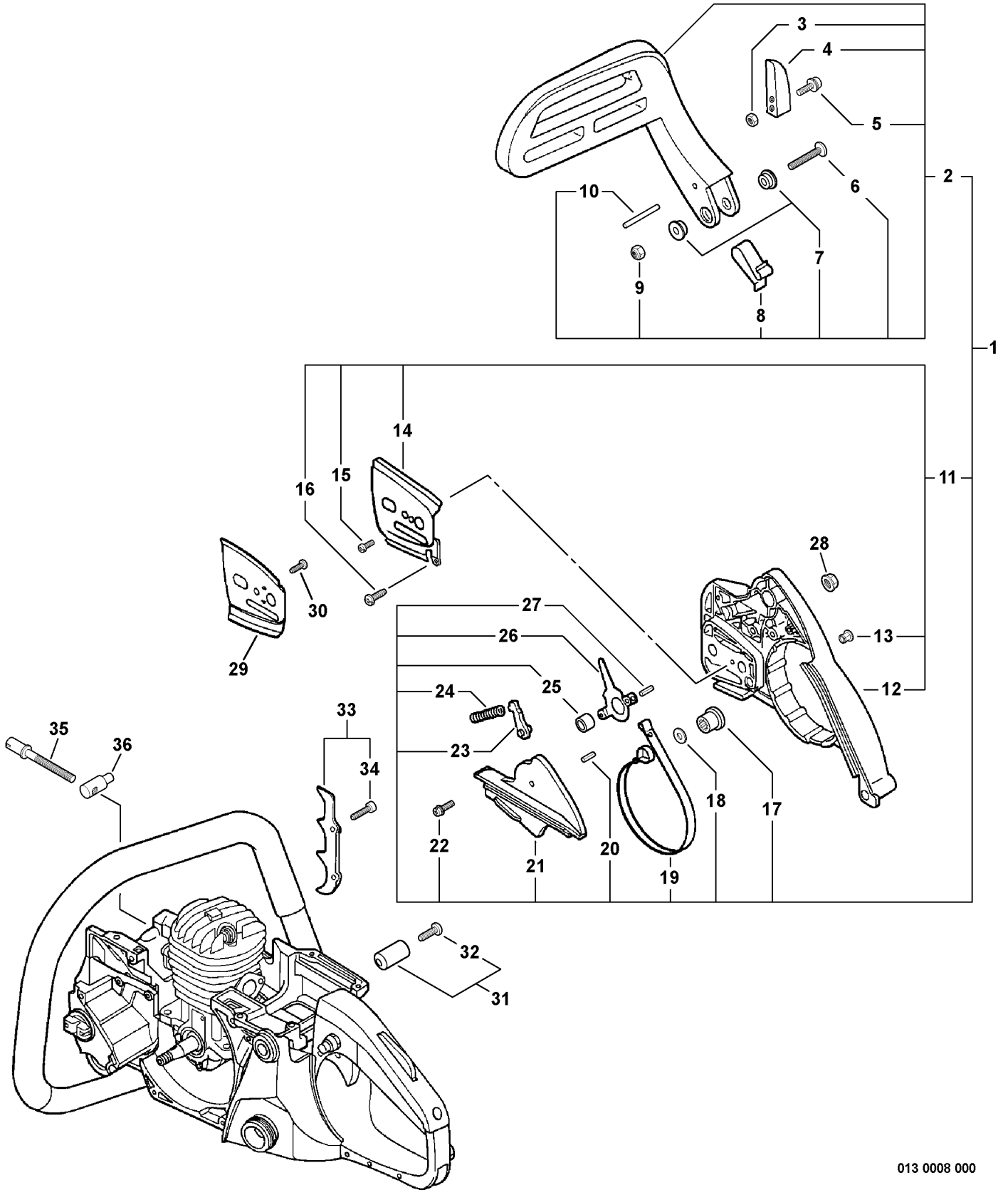
018 0006 000

ITEM	PART NUMBER	QTY	DESCRIPTION	REMARKS
1	A411000180	1	COIL, IGNITION	
2	90016204030	2	SCREW 4X30	
3	16201038331	1	LEAD, GROUND	
4	C483000000	1	BOOT, CONNECTOR	
5	90022004006	1	SCREW 4X6	
6	15901201620	1	CAP, SPARK PLUG	
7	15901103432	1	TERMINAL, SPARK PLUG CAP	
8	15901019830	1	SPARK PLUG -- BPM-8Y	
9	A425000000	1	SPARK PLUG -- BPMR-8Y	CANADA MODELS
10	A409000080	1	FLYWHEEL	
11	90050000008	1	NUT 8	
12	90060500008	1	SPRING WASHER 8	
13	10014239130	1	WOODRUFF KEY	



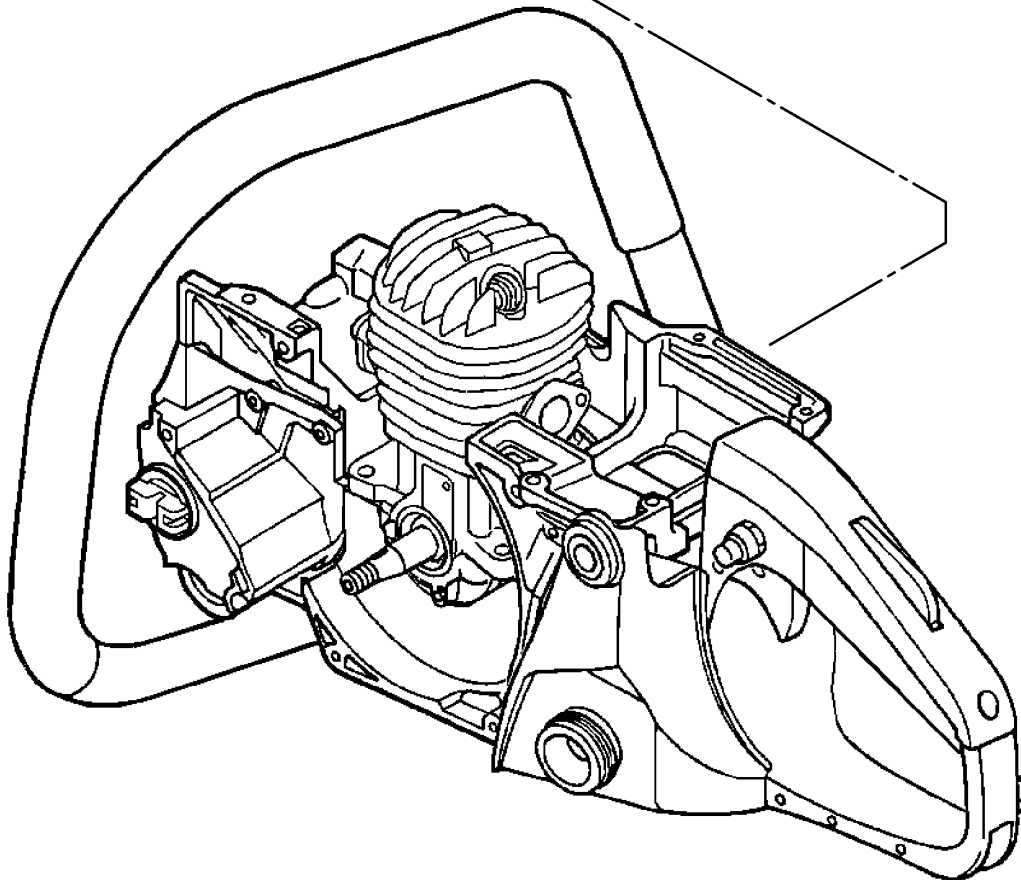
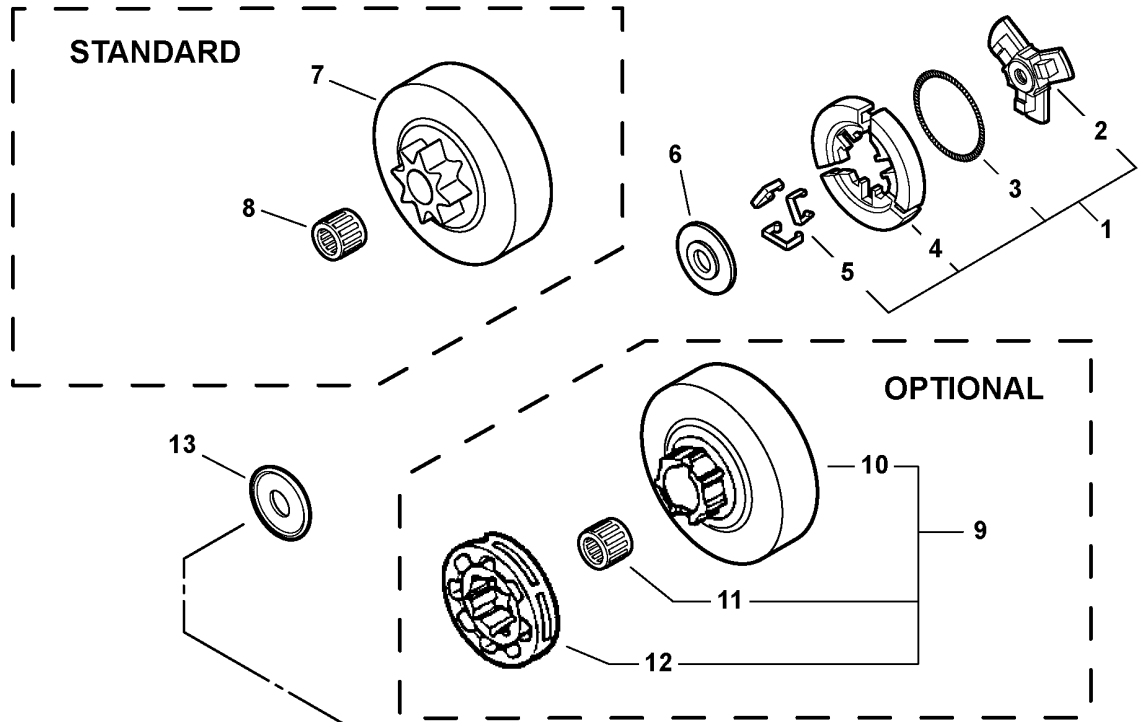
016 0007 000

ITEM	PART NUMBER	QTY	DESCRIPTION	REMARKS
1	2893201	1	KICK GUARD KIT	
2	16A0AD3366	1	GUIDE BAR - 16" -- ProAm Double Guard	GAUGE: .050"
2	18A0AD3372	1	GUIDE BAR - 18" -- ProAm Double Guard	GAUGE: .050"
2	20A0AD3378	1	GUIDE BAR - 20" -- ProAm Double Guard	GAUGE: .050"
3	33SL66G	1	SAWING CHAIN - 16" -- Pro Guard	GAUGE: .050" / PITCH: .325"
3	33SL72G	1	SAWING CHAIN - 18" -- Pro Guard	GAUGE: .050" / PITCH: .325"
3	33SL78G	1	SAWING CHAIN - 20" -- Pro Guard	GAUGE: .050" / PITCH: .325"



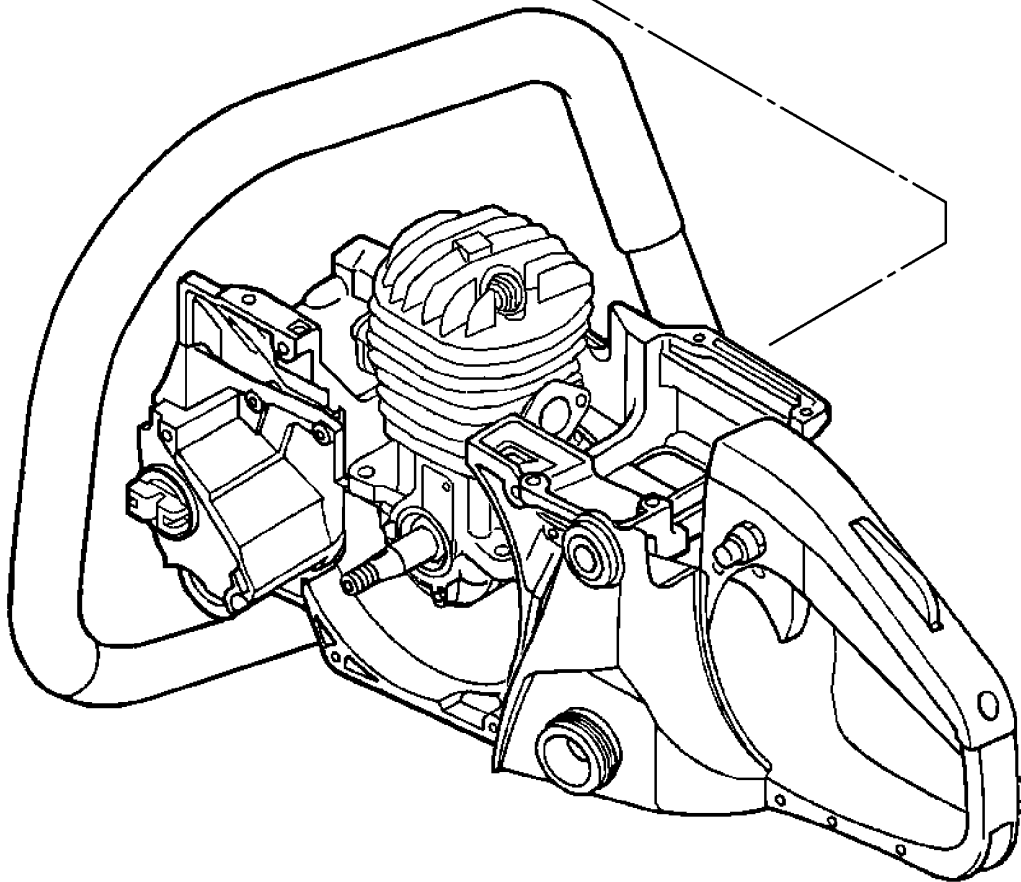
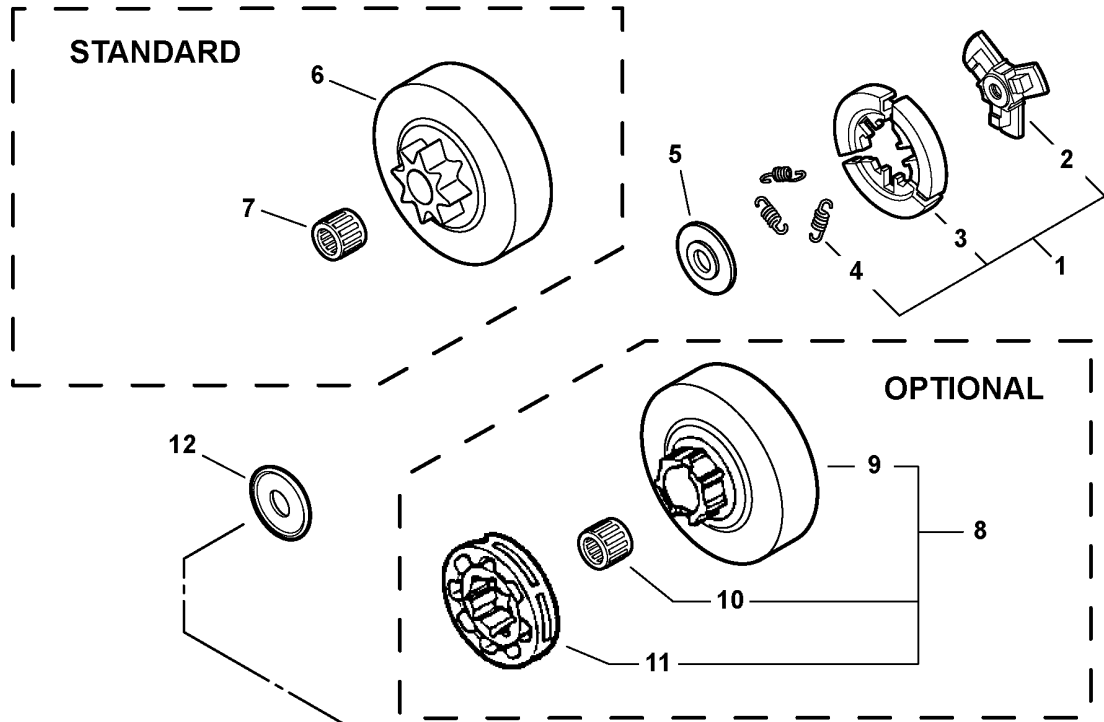
013 0008 000

ITEM	PART NUMBER	QTY	DESCRIPTION	REMARKS
1	43310039037	1	CHAIN BRAKE ASY	INCLUDES ITEMS 2-27
2	43320139031	1	BRAKE LEVER ASY	INCLUDES ITEMS 3-10
3	90050000004	2	NUT 4	
4	43317139330	1	WEIGHT, BRAKE	
5	90023804018	2	SCREW 4X18	
6	9131805032	1	SCREW 5X32	
7	43316739130	2	SPACER	
8	43311438331	1	SPRING	
9	90056250005	1	LOCKNUT	
10	90033030240	1	PIN 3X24	
11	P021001280	1	SPROCKET GUARD ASY	INCLUDES ITEMS 12-16
12	43300539333	1	GUARD, SPROCKET	
13	V162000020	1	PLUG	
14	C305000001	1	PLATE, SPROCKET GUARD	
15	90022003006	1	SCREW 3X6	
16	90025304010	1	SCREW 4X10	
17	43314235430	1	ADJUSTER, BRAKE	
18	V304000090	1	WASHER	
19	C328000060	1	BAND, BRAKE	
20	90034225012	1	SPRING PIN 2.5X12	
21	43331039330	1	COVER, BRAKE	
22	90025304010	1	SCREW 4X10	
23	43320935430	1	STOPPER, BRAKE	
24	43312235430	1	SPRING, BRAKE	
25	43311538330	1	WASHER 5.2X12X14	
26	43320835431	1	LEVER, BRAKE	
27	90033040088	1	ROLLER 4X8.8	
28	43301912330	2	FLANGE NUT 8	
29	43301335431	1	PLATE, GUIDE - INNER	
30	90022004006	1	SCREW 4X6	
31	43300019831	1	CHAIN CATCHER KIT	INCLUDES ITEM 32
32	90022005018	1	SCREW 5X18	
33	88020038330	1	SPIKED BUMPER KIT	
34	90010505012	2	SCREW 5X12	
35	43301638330	1	SCREW, TENSIONER	
36	43301419830	1	TENSIONER	



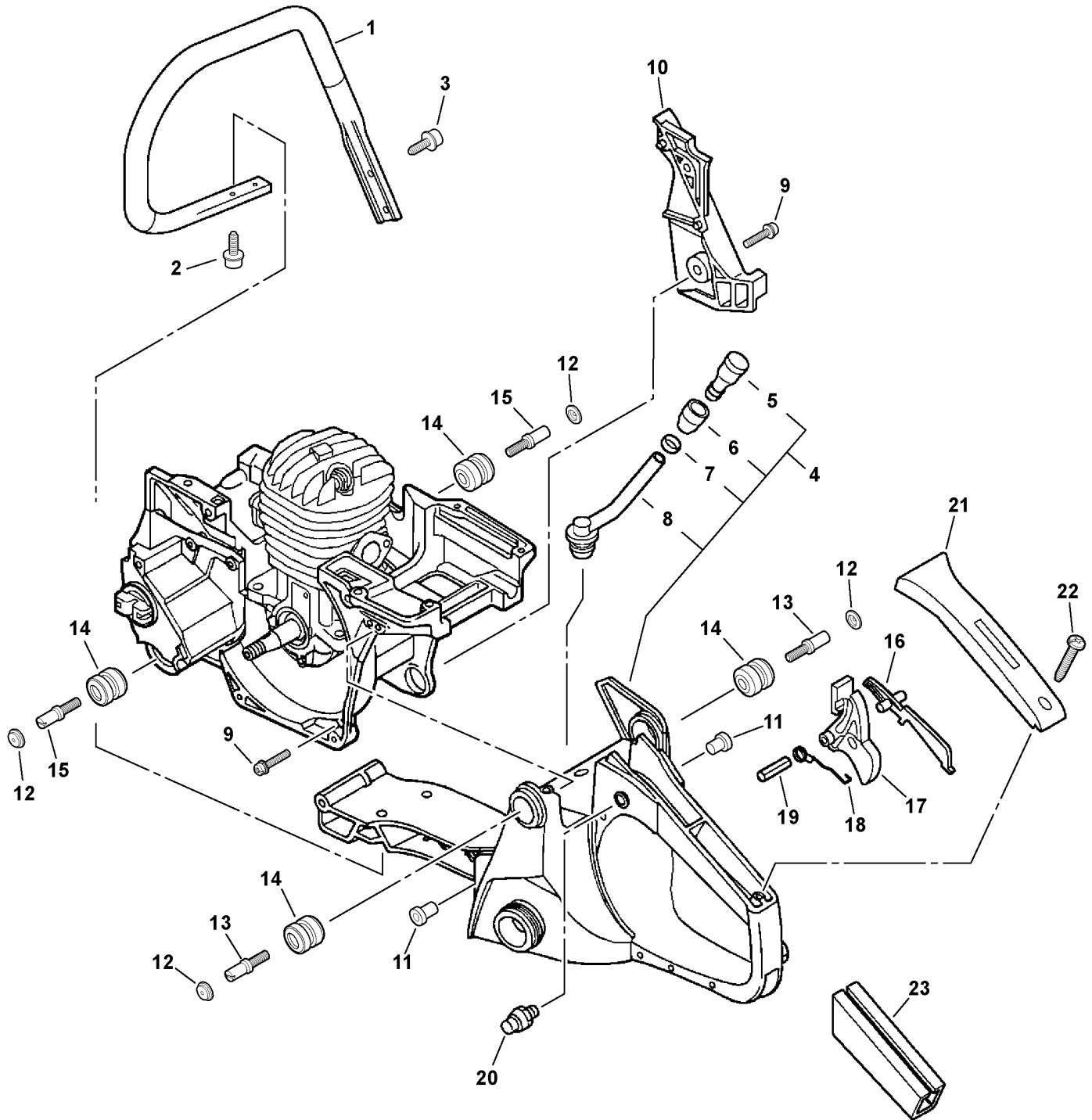
014 0005 USB

ITEM	PART NUMBER	QTY	DESCRIPTION	REMARKS
1	17500059531	1	CLUTCH ASY	INCLUDES ITEMS 2-5
2	17501659530	1	HUB, CLUTCH	
3	17501859530	1	SPRING, CLUTCH	
4	17500259531	1	CLUTCH SHOE SET	
5	17502259530	3	SPRING, FLAT	
6	17501959530	1	PLATE, CLUTCH	
7	A556000171	1	DRUM, CLUTCH	
8	17501200831	1	BEARING, NEEDLE	
9	900200	1	RIM SPROCKET KIT	INCLUDES ITEMS 10-11
10	17510535430	1	DRUM, CLUTCH	
11	17501214630	1	BEARING, NEEDLE	
12	17511412530	1	SPROCKET, RIM	
13	17501938330	1	PLATE, CLUTCH	



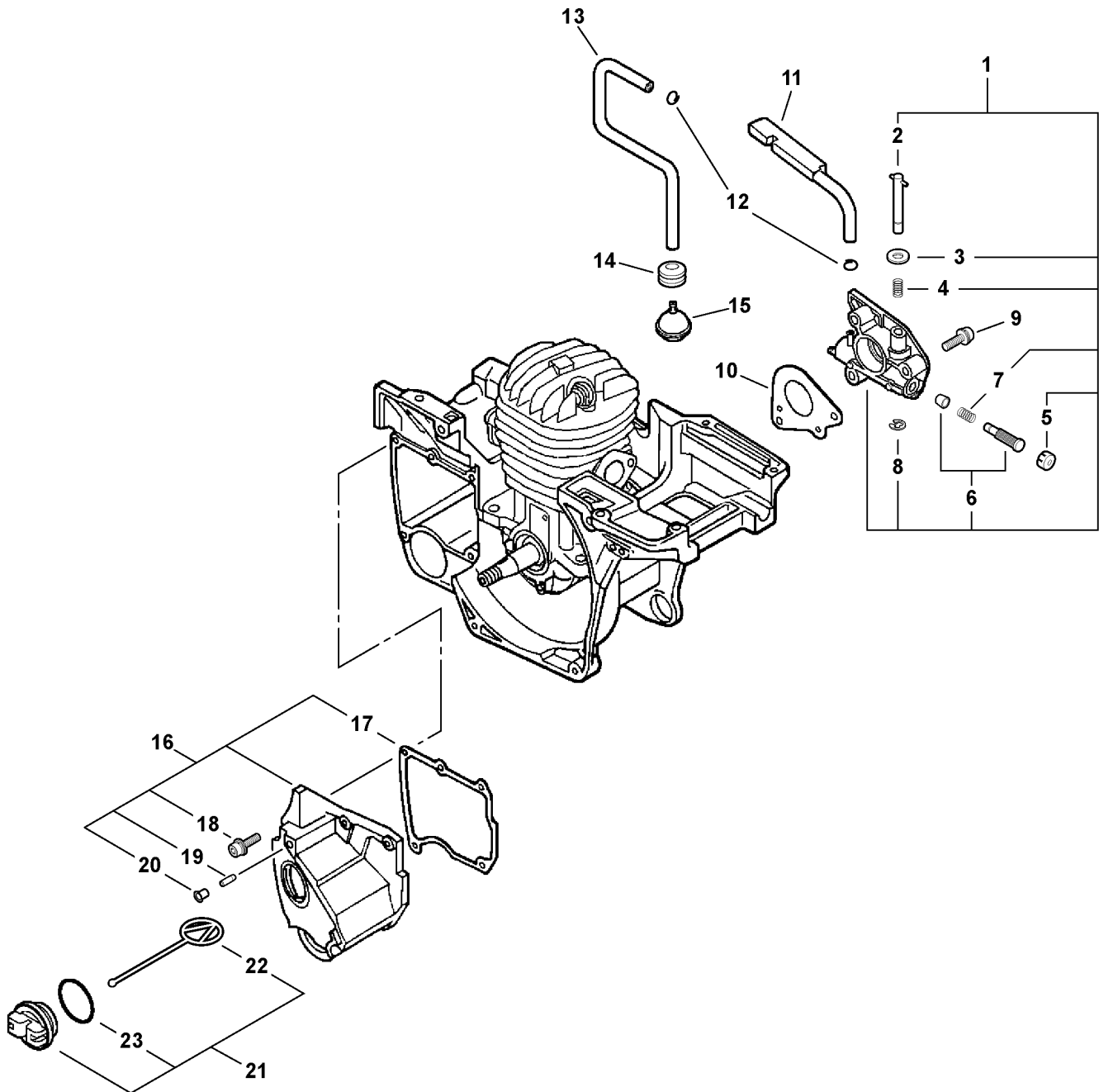
014 0005 US0

ITEM	PART NUMBER	QTY	DESCRIPTION	REMARKS
1	A056000120	1	CLUTCH ASY	INCLUDES ITEMS 2-4
2	A552000060	1	HUB, CLUTCH	
3	P021007050	1	CLUTCH SHOE SET	
4	V451000500	3	SPRING, CLUTCH	
5	17501939430	1	PLATE, CLUTCH	
6	A556000171	1	DRUM, CLUTCH	
7	17501200831	1	BEARING, NEEDLE	
8	900200	1	RIM SPROCKET KIT	
9	17510535430	1	DRUM, CLUTCH	
10	17501214630	1	BEARING, NEEDLE	
11	17511412530	1	SPROCKET, RIM	
12	17501938330	1	PLATE, CLUTCH	



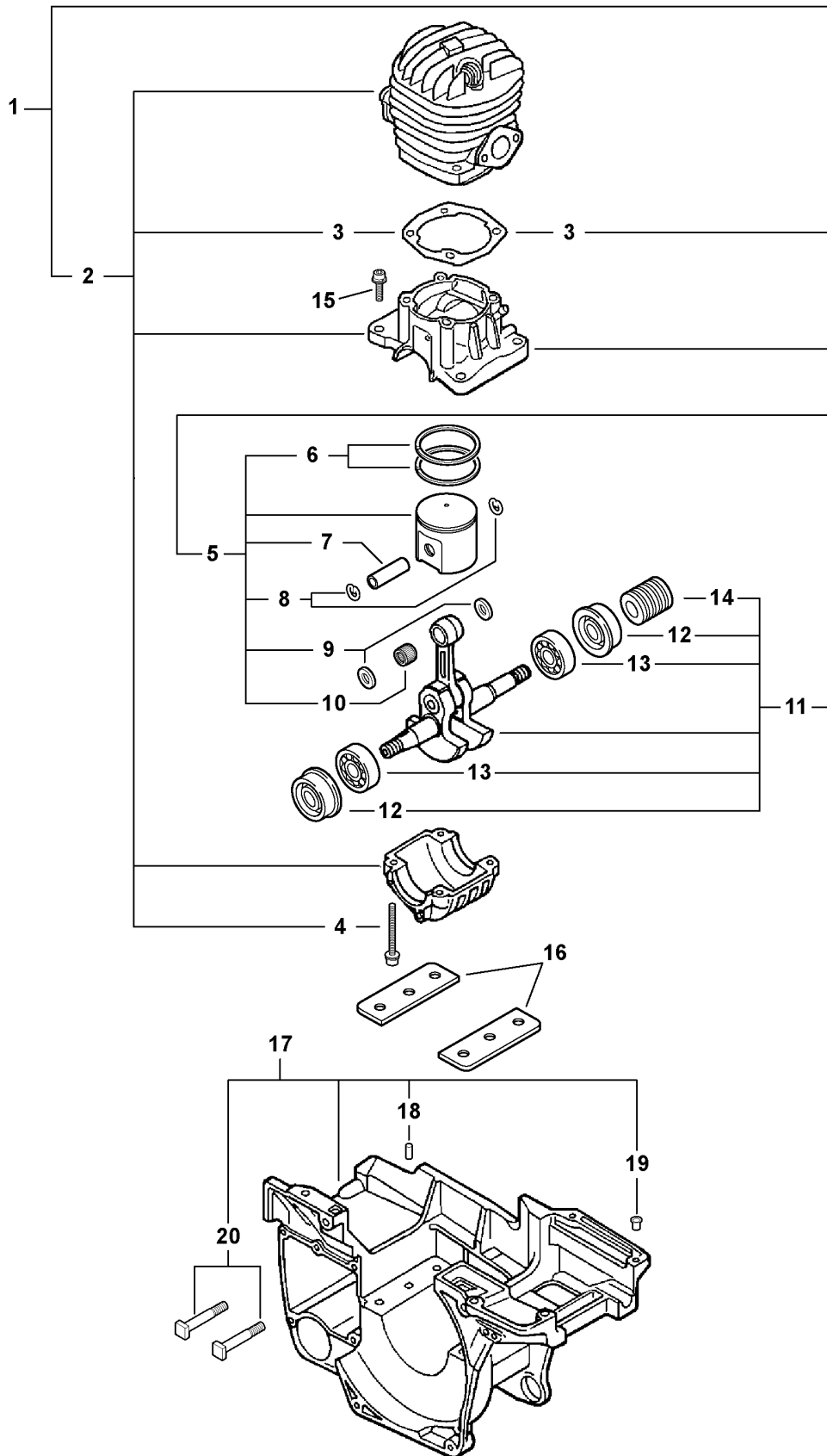
012 0006 000

ITEM	PART NUMBER	QTY	DESCRIPTION	REMARKS
1	35160638330	1	HANDLE, FRONT	
2	9114505016	2	SCREW 5X16	
3	9114505020	2	SCREW 5X20	
4	P021006600	1	REAR HANDLE ASY	INCLUDES ITEMS 5-8
5	A356000030	1	VENT ASY	
6	13132840630	1	COVER, VENT	
7	13201326630	1	CLIP	
8	13201239330	1	PIPE, W/GROMMET	
9	90023805016	3	SCREW 5X16	
10	43304539332	1	COVER	
11	10091038330	2	CUSHION	
12	10091838330	4	CAP, CUSHION	
13	10091532530	2	SCREW	
14	10092138330	4	CUSHION	
15	10091533930	2	SCREW	
16	17809037930	1	LOCKOUT, THROTTLE CONTROL	
17	C450000000	1	TRIGGER, THROTTLE	
18	17804335430	1	SPRING, THROTTLE RETURN	
19	90034540030	1	SPRING PIN 4X30	
20	17830237930	1	LATCH, THROTTLE	
21	35115535430	1	COVER, HANDLE	
22	90025304014	1	SCREW 4X14	
23	35111119830	1	GRIP, HANDLE	



017 0005 000

ITEM	PART NUMBER	QTY	DESCRIPTION	REMARKS
1	43700238330	1	AUTO-OILER ASY	INCLUDES ITEMS 2-8
2	43701638330	1	NEEDLE, ADJUST	
3	43702937330	1	WASHER	
4	43701537330	1	SPRING	
5	43706238330	1	CAP, OIL PUMP	
6	43702437330	1	PLUNGER	
7	43701938330	1	SPRING	
8	12312715030	1	CIRCLIP	
9	90022304016	2	SCREW 4X16	
10	17531038330	1	PLATE, SEAL	
11	43722938331	1	PIPE, OIL DISCHARGE	
12	13201326630	2	CLIP	
13	43721038330	1	PIPE, FUEL	
14	13211512330	1	GROMMET	
15	43620514730	1	FILTER, OIL	
16	43600539332	1	OIL TANK ASY	INCLUDES ITEMS 10-13
17	43601938330	1	GASKET, OIL TANK	
18	90016304016	3	SCREW 4X16	
19	43611413930	1	VALVE, CHECK	
20	43601838330	1	COLLAR	
21	43600165631	1	OIL TANK CAP ASY	INCLUDES ITEMS 15-16
22	A365000050	1	CONNECTOR, FUEL CAP	
23	90072502025	1	O-RING	



SB1082 0001 000

ITEM	PART NUMBER	QTY	DESCRIPTION	REMARKS
1	SB1082	1	SHORT BLOCK <sup>1</sup>	INCLUDES ITEM 2-14
2	P021006561	1	CRANKCASE SET	INCLUDES ITEM 3-4
3	V100000131	1	GASKET, CYLINDER	
4	90016205055	4	SCREW 5X55	
5	P021006551	1	PISTON KIT	INCLUDES ITEMS 6-10
6	10001133730	2	RING, PISTON	
7	V607000000	1	PIN, PISTON	
8	10001503931	2	CIRCLIP, PISTON PIN	
9	10001235430	1	BEARING, NEEDLE	
10	10001419730	2	SPACER, PISTON PIN	
11	P021006541	1	CRANKSHAFT ASY	INCLUDES ITEMS 12-14
12	V505000010	2	SEAL, OIL	
13	9403536201	2	BEARING, BALL - 6201	
14	43706338330	1	GEAR, WORM	
15	90016205022	4	SCREW 5X22	
16	V150001740	2	EYE PLATE	
17	P021003100	1	COVER, ENGINE	INCLUDES ITEMS 18-20
18	V622000020	2	DOWEL PIN	
19	43601838330	2	COLLAR	
20	43301119830	2	STUD, GUIDE BAR	

**Footnotes**

1: OPTIONAL ENGINE REPOWER



**⚠ WARNING**  
 Note: Lorem ipsum dolor sit amet, consectetur adipiscing elit, sed diam nonummy neque et tincidunt ut laoreet dolore magna aliquam erat volutpat. Ut wisi enim ad minim veniam, quis nostrud exerci tation ullamcorper suscipit. Cobortis nisi ut aliquip ex. elit, sed nonummy neque et tincidunt ut laoreet dolore magna aliquam erat volutpat. Ut wisi enim ad minim veniam, quis nostrud exerci tation ullamcorper quis nostrud exerci tation ullamcorper suscipit doloremque quis aliquam erat volutpat lobortis nisi ut aliquip ex.



**CS-440**  
 ⚠ WARNING!! Read and follow all safety precautions in the instruction manual. Failure to follow instructions could result in serious personal injury.

**TO AVOID KICKBACK**  
 1. Hold the chain saw firmly with both hands  
 2. Don't let the nose of the guide bar contact any obstruction.  
 3. Tip contact may suddenly move the guide bar upward and backward, which may cause serious injury

**REPLACEMENT BAR AND CHAIN**

GUIDE BAR*	CHAIN*
PART NO.	TYPE LINKS
16" 18A0AD3366	OREGON 33SL 66
18" 18A0AD3372	OREGON 33SL 72
20" 18A0AD3378	OREGON 33SL 78

\*Or equivalent  
 Note: Lorem ipsum dolor sit amet, consectetur adipiscing elit, sed diam nonummy nibh euismod tincidunt ut laoreet dolore magna aliquam erat volutpat. Ut wisi enim ad minim veniam, quis nostrud exerci tation ullamcorper suscipit lobortis nisi ut aliquip ex.



**STOP**

100 0058 US0

**CS-440 Chain Saw**

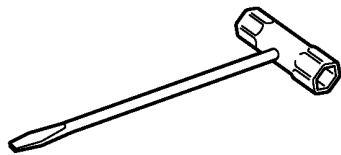
**Labels**

ITEM	PART NUMBER	QTY	DESCRIPTION	REMARKS
1	X505002040	1	LABEL - WARNING	
2	X502000000	1	LABEL - ECHO	
3	X503005160	1	LABEL - MODEL -- CS-440	
4	89015737330	1	LABEL - STOP	
5	X502000010	1	LABEL - ECHO	
6	X524000400	1	LABEL - BAR & CHAIN	
7	89019130131	1	LABEL - KICK BACK	

**WRENCH W/SCREWDRIVER (Also Remove Spark Plugs)**

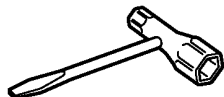
1 - 89541010630 -- 17X19mm

2 - X602000020 -- 17X19mm



3 - 89541039131 -- 10X19mm

4 - 89541006960 -- 13X19mm



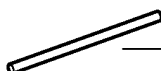
**BOX WRENCH**

5 - X602000031 -- 17X14.5mm



**LOCKING BAR**

6 - 89751801131 -- 5X120mm



**SPANNER**

7 - 89511200330 -- 8X10mm

8 - 89512220960 -- 17X19mm



9 - 89501505260 -- 10mm



**HEX BAR**

10 - 89541220960 -- 10mm



**L-WRENCH**

11 - 89561203430 -- 3mm



12 - 89561000130 -- 4mm

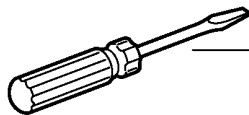


13 - 89561100330 -- 5mm

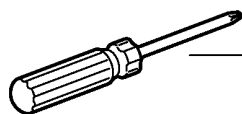


**SCREWDRIVER**

14 - 89581100130 -- 125mm



15 - 89581203930 -- 50mm



200 0001 000

ITEM	PART NUMBER	QTY	DESCRIPTION	REMARKS
1	89541010630	1	WRENCH/SCREWDRIVER -- 17X19mm	
2	X602000020	1	WRENCH/SCREWDRIVER -- 17X19mm	
3	89541039131	1	WRENCH/SCREWDRIVER -- 10X19mm	
4	89541006960	1	WRENCH/SCREWDRIVER -- 13X19mm	
5	X602000031	1	BOX WRENCH -- 17X14.5mm	
6	89751801131	1	LOCKING BAR -- 5X120mm	
7	89511200330	1	SPANNER -- 8X10mm	
8	89512220960	1	SPANNER -- 17X19mm	
9	89501505260	1	SPANNER -- 10mm	
10	89541220960	1	HEX BAR -- 10mm	
11	89561203430	1	L-WRENCH -- 3mm	
12	89561000130	1	L-WRENCH -- 4mm	
13	89561100330	1	L-WRENCH -- 5mm	
14	89581100130	1	SCREWDRIVER -- 125mm	
15	89581203930	1	SCREWDRIVER -- 50mm	



# Part Number Index

Click The Page Number After Any Part Number To View The Diagram Containing That Part.

Part Number	Page	Part Number	Page	Part Number	Page	Part Number	Page
-----	7	17501959530	19	89541010630	31	V100000131	27
10001133730	27	17502259530	19	89541039131	31	V104000580	9
10001235430	27	17510535430	19, 21	89541220960	31	V150001740	27
10001419730	27	17511412530	19, 21	89561000130	31	V162000020	17
10001503931	27	17531038330	25	89561100330	31	V203000090	11
10014239130	13	17720039335	11	89561203430	31	V304000090	17
10091038330	23	17721402830	11	89581100130	31	V451000500	21
10091532530	23	17721538330	11	89581203930	31	V505000010	27
10091533930	23	17721819830	11	89751801131	31	V607000000	27
10091838330	23	17722035430	11	90010504006	9	V622000020	27
10092138330	23	17722138330	11	90010505012	17	X502000000	29
10157938330	5	17722638330	11	90010505014	9	X502000010	11, 29
12300039333	5, 7	17722737930	11	90016204030	13	X503005160	29
12310037330	7	17722835430	11	90016205022	27	X505002040	29
12310137330	7	17723435430	11	90016205050	5	X524000400	29
12311003930	7	17724704630	11	90016205055	27	X602000020	31
12311337530	7	17801138331	5	90016304016	25	X602000031	31
12311433830	7	17804335430	23	900200	19, 21		
12311610530	7	17809037930	23	90022003006	17		
12311739330	7	17830237930	23	90022004006	13, 17		
12312003661	7	17851038330	5	90022005018	17		
12312239330	7	17881014532	5	90022304016	25		
12312438330	7	18A0AD3372	15	90023504014	5		
12312715030	7, 25	20A0AD3378	15	90023804018	17		
12313002960	7	2893201	15	90023805012	5, 11		
12313135430	7	33SL66G	15	90023805016	23		
12313237330	7	33SL72G	15	90023805018	11		
12313304260	7	33SL78G	15	90025004008	9		
12313404260	7	35111119830	23	90025304010	17		
12313510630	7	35115535430	23	90025304014	23		
12313610630	7	35160638330	23	90029603014	11		
12313903930	7	43300019831	17	90033030240	17		
12314203930	7	43300539333	17	90033040088	17		
12315038330	7	43301119830	27	90034225012	17		
12317815030	7	43301335431	17	90034540030	23		
13000038330	5	43301419830	17	90050000004	17		
13001038330	5	43301638330	17	90050000008	13		
13001639930	5	43301912330	17	90056250005	17		
13002033330	5	43304539332	23	90058000004	5		
13011038330	5	43310039037	17	90060300005	11		
13030138332	5	43311438331	17	90060500008	13		
13031038331	5	43311538330	17	90072000022	5		
13036638330	5	43312235430	17	90072502025	25		
13040538331	5	43314235430	17	9114505016	23		
13043038330	5	43316739130	17	9114505020	23		
13051039932	5	43317139330	17	9131805032	17		
13100437931	5	43320139031	17	9403536201	27		
13120519830	5	43320835431	17	A056000120	21		
13132840630	23	43320935430	17	A172000062	11		
13201038331	5	43331039330	17	A303000050	9		
13201239330	23	43600165631	25	A356000030	23		
13201326630	5, 23, 25	43600539332	25	A365000050	5, 25		
13211504920	5	43601838330	25, 27	A409000080	13		
13211512330	25	43601938330	25	A411000180	13		
14571160631	9	43611413930	25	A425000000	13		
14588439330	9	43620514730	25	A552000060	21		
15901019830	13	43700238330	25	A556000171	19, 21		
15901103432	13	43701537330	25	C305000001	17		
15901201620	13	43701638330	25	C328000060	17		
16201038331	13	43701938330	25	C450000000	23		
16340038330	5	43702437330	25	C483000000	13		
16341338930	5	43702937330	25	P003000010	7		
16381038932	5	43706238330	25	P021001280	17		
16389038330	5	43706338330	27	P021003100	27		
16A0AD3366	15	43721038330	25	P021006541	27		
17500059531	19	43722938331	25	P021006551	27		
17500259531	19	88020038330	17	P021006561	27		
17501200831	19, 21	89015737330	29	P021006570	5		
17501214630	19, 21	89019130131	29	P021006591	9		
17501659530	19	89501505260	31	P021006600	23		
17501859530	19	89511200330	31	P021007050	21		
17501938330	19, 21	89512220960	31	P021008860	5		
17501939430	21	89541006960	31	SB1082	27		



# Part Description Index

Click The Page Number After Any Part Description To View The Diagram Containing That Part.

## A

ADAPTER, INTAKE.....5  
 ADJUSTER, BRAKE.....17  
 AUTO-OILER ASY.....25

## B

BALL, CHOKE FRICTION.....7  
 BAND, BRAKE.....17  
 BEARING, BALL - 6201.....27  
 BEARING, NEEDLE.....19, 21, 27  
 BODY, CARBURETOR.....7  
 BOOT, CONNECTOR.....13  
 BOX WRENCH -- 17X14.5mm.....31  
 BRACKET.....5  
 BRAKE LEVER ASY.....17

## C

CAP, AIR CLEANER.....5  
 CAP, CUSHION.....23  
 CAP, MIXTURE LIMITER.....7  
 CAP, OIL PUMP.....25  
 CAP, SPARK PLUG.....13  
 CARBURETOR -- WT-416C.....7  
 CARBURETOR -- WT-416C.....5  
 CHAIN BRAKE ASY.....17  
 CHAIN CATCHER KIT.....17  
 CIRCLIP.....25  
 CIRCLIP, PISTON PIN.....27  
 CLIP.....5, 23, 25  
 CLIP, THROTTLE SHAFT.....7  
 CLUTCH ASY.....19, 21  
 CLUTCH SHOE SET.....19, 21  
 COIL, IGNITION.....13  
 COLLAR.....25, 27  
 CONNECTOR, FUEL CAP.....25  
 COVER.....23  
 COVER, BRAKE.....17  
 COVER, ENGINE.....27  
 COVER, FAN.....11  
 COVER, FUEL PUMP.....7  
 COVER, HANDLE.....23  
 COVER, METERING DIAPHRAGM.....7  
 COVER, VENT.....23  
 CRANKCASE SET.....27  
 CRANKSHAFT ASY.....27  
 CUSHION.....5, 23  
 CYLINDER COVER ASY.....5

## D

DIAPHRAGM, FUEL PUMP.....7  
 DIAPHRAGM, METERING.....7  
 DIAPHRAGM/GASKET KIT.....7  
 DOWEL PIN.....27  
 DRUM, CLUTCH.....19, 21  
 DRUM, STARTER.....11

## E

ELBOW, CARBURETOR.....5  
 EYE PLATE.....27

## F

FILTER, AIR.....5

FILTER, FUEL.....5  
 FILTER, OIL.....25  
 FLANGE NUT 8.....17  
 FLYWHEEL.....13  
 FUEL TANK CAP ASY.....5

## G

GASKET, CYLINDER.....27  
 GASKET, EXHAUST.....9  
 GASKET, FUEL PUMP.....7  
 GASKET, INTAKE.....5  
 GASKET, METERING DIAPHRAGM.....7  
 GASKET, OIL TANK.....25  
 GEAR, WORM.....27  
 GRIP, HANDLE.....23  
 GRIP, STARTER.....11  
 GROMMET.....5, 25  
 GUARD, SPROCKET.....17  
 GUIDE BAR - 16" -- ProAm Double Guard.....15  
 GUIDE BAR - 18" -- ProAm Double Guard.....15  
 GUIDE BAR - 20" -- ProAm Double Guard.....15  
 GUIDE, EXHAUST.....9  
 GUIDE, ROPE.....11

## H

HANDLE, FRONT.....23  
 HEX BAR -- 10mm.....31  
 HUB, CLUTCH.....19, 21

## I

INSULATOR KIT.....5

## K

KICK GUARD KIT.....15

## L

LABEL - BAR & CHAIN.....29  
 LABEL - KICK BACK.....29  
 LABEL - ECHO.....11, 29  
 LABEL - MODEL -- CS-440.....29  
 LABEL - STOP.....29  
 LABEL - WARNING.....29  
 LATCH, THROTTLE.....23  
 LEAD, GROUND.....13  
 LEVER, BRAKE.....17  
 LEVER, METERING.....7  
 LEVER, THROTTLE.....7  
 LOCKING BAR -- 5X120mm.....31  
 LOCKNUT.....17  
 LOCKOUT, THROTTLE CONTROL.....23  
 L-WRENCH -- 3mm.....31  
 L-WRENCH -- 4mm.....31  
 L-WRENCH -- 5mm.....31

## M

MUFFLER ASY.....9

## N

NEEDLE, ADJUST.....25  
 NEEDLE, ADJUSTMENT.....7  
 NUT.....5  
 NUT 4.....17  
 NUT 8.....13

## O

OIL TANK ASY.....25  
 OIL TANK CAP ASY.....25  
 O-RING.....25  
 O-RING 22.....5

## P

PAWL, STARTER.....11  
 PIN 3X24.....17  
 PIN, METERING LEVER.....7  
 PIN, PISTON.....27  
 PIPE, FUEL.....5, 25  
 PIPE, IMPULSE.....5  
 PIPE, OIL DISCHARGE.....25  
 PIPE, W/GROMMET.....23  
 PISTON KIT.....27  
 PLATE.....9  
 PLATE, CLUTCH.....19, 21  
 PLATE, GUIDE - INNER.....17  
 PLATE, SEAL.....25  
 PLATE, SPROCKET GUARD.....17  
 PLATE, STARTER.....11  
 PLATE, WIND PROOF.....5  
 PLUG.....17  
 PLUG, FRICTION.....7  
 PLUG, WELCH.....7  
 PLUNGER.....25  
 PUSH, RING.....5

## R

REAR HANDLE ASY.....23  
 REPAIR KIT.....7  
 RETAINER, CAP.....5  
 RIM SPROCKET KIT.....19, 21  
 RING, PISTON.....27  
 ROD, CHOKE.....5  
 ROD, THROTTLE.....5  
 ROLLER 4X8.....17  
 ROPE, STARTER - 3.5X 960mm.....11

## S

SAWING CHAIN - 16" -- Pro Guard.....15  
 SAWING CHAIN - 18" -- Pro Guard.....15  
 SAWING CHAIN - 20" -- Pro Guard.....15  
 SCREEN.....9  
 SCREEN, INLET.....7  
 SCREW.....23  
 SCREW 3X14.....11  
 SCREW 3X6.....17  
 SCREW 4X10.....17  
 SCREW 4X14.....5, 23  
 SCREW 4X16.....25  
 SCREW 4X18.....17  
 SCREW 4X30.....13  
 SCREW 4X6.....9, 13, 17  
 SCREW 4X8.....9  
 SCREW 5.....5  
 SCREW 5X12.....5, 11, 17  
 SCREW 5X14.....9, 11  
 SCREW 5X16.....23  
 SCREW 5X18.....11, 17  
 SCREW 5X20.....23  
 SCREW 5X22.....27



# Part Description Index (continued)

SCREW 5X32.....17	WRENCH/SCREWDRIVER -- 17X19mm.....31
SCREW 5X50.....5	
SCREW 5X55.....27	
SCREW, CHOKE VALVE.....7	
SCREW, IDLE ADJUST.....7	
SCREW, METERING DIAPHRAGM COVER.....7	
SCREW, METERING LEVER PIN.....7	
SCREW, PUMP COVER.....7	
SCREW, TENSIONER.....17	
SCREW, THROTTLE LEVER.....7	
SCREW, THROTTLE VALVE.....7	
SCREWDRIVER -- 125mm.....31	
SCREWDRIVER -- 50mm.....31	
SEAL, OIL.....27	
SHAFT, CHOKE.....7	
SHAFT, THROTTLE.....7	
SHORT BLOCK.....27	
SNOW SHIELD KIT.....5	
SPACER.....11, 17	
SPACER, PISTON PIN.....27	
SPANNER -- 10mm.....31	
SPANNER -- 17X19mm.....31	
SPANNER -- 8X10mm.....31	
SPARK PLUG -- BPM-8Y.....13	
SPARK PLUG -- BPMR-8Y.....13	
SPIKED BUMPER KIT.....17	
SPRING.....17, 25	
SPRING PIN 2.5X12.....17	
SPRING PIN 4X30.....23	
SPRING WASHER 8.....13	
SPRING, BRAKE.....17	
SPRING, CHOKE FRICTION BALL.....7	
SPRING, CLUTCH.....19, 21	
SPRING, FLAT.....19	
SPRING, IDLE ADJUST.....7	
SPRING, METERING LEVER.....7	
SPRING, RETURN.....11	
SPRING, REWIND.....11	
SPRING, THROTTLE RETURN.....7, 23	
SPROCKET GUARD ASY.....17	
SPROCKET, RIM.....19, 21	
STARTER ASY.....11	
STOPPER, BRAKE.....17	
STUD, GUIDE BAR.....27	
SWITCH, IGNITION.....5	

## T

TENSIONER.....17
TERMINAL, SPARK PLUG CAP.....13
TERMINAL, SWITCH.....5
TRIGGER, THROTTLE.....23

## V

VALVE, CHECK.....25
VALVE, CHOKE.....7
VALVE, INLET NEEDLE.....7
VALVE, THROTTLE.....7
VENT ASY.....23

## W

WASHER.....11, 17, 25
WASHER 5.....11
WASHER 5.2X12X14.....17
WEIGHT, BRAKE.....17
WOODRUFF KEY.....13
WRENCH/SCREWDRIVER -- 10X19mm.....31
WRENCH/SCREWDRIVER -- 13X19mm.....31

## **NOTES**



**ECHO, INCORPORATED**

400 Oakwood Road  
Lake Zurich, IL 60047 USA

[WWW.ECHO-USA.COM](http://WWW.ECHO-USA.COM)

---