

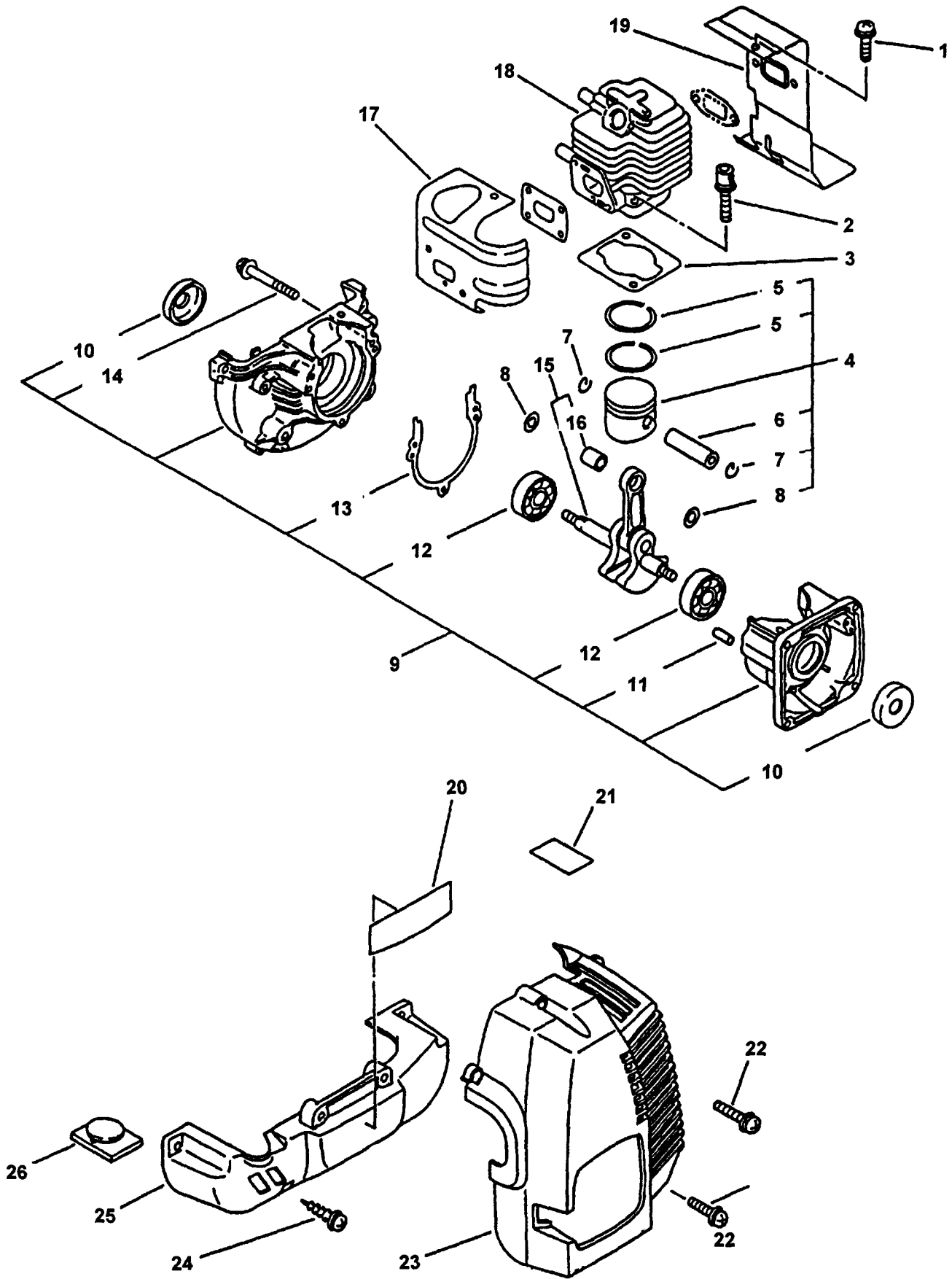


**POWER BLOWER  
PARTS CATALOG  
MODEL PB-2400 TYPE 1  
SERIAL NUMBER 001001 & UP**

**ECHO, INCORPORATED  
400 OAKWOOD ROAD  
LAKE ZURICH, IL 60047**

# PB-2400 TYPE 1

ENGINE/EXTERNAL, INTERNAL, CRANKCASE, CYLINDER COVER



KEY	PART NUMBER	QTY	DESCRIPTION	REMARKS
1	90023805010	1	SCREW 5X10	
2	90016205022	2	BOLT H.S. 5X22	
3	10101044332	1	GASKET, CYLINDER BASE	
4	10000009560	1	PISTON KIT	S/N 001001 - 057052 INCLUDES ITEMS 5 - 8
4	<b>10000009563</b>	1	PISTON KIT	S/N 057053 & UP INCLUDES ITEMS 5 - 8
5	10001109560	2	RING, PISTON	
6	10001311520	1	PIN, PISTON	
7	10001504630	2	CIRCLIP, PISTON PIN	
8	10001411520	2	SPACER, PISTON PIN	
9	10020451030	1	CRANKCASE KIT	INCLUDES ITEMS 10 - 14
10	10021242030	2	OILSEAL	
11	10021503930	2	PIN, DOWEL	
12	90081036201	2	BEARING, BALL	
13	-----	1	GASKET, CRANKCASE	
14	90023805028	3	SCREW 5X28	
15	10010044731	1	CRANKSHAFT	INCLUDES ITEM 16
16	10001251230	1	BEARING, NEEDLE	
17	10151409560	1	COVER, CYLINDER	
18	10101109560	1	CYLINDER	S/N 001001 - 057052
18	<b>10101108961</b>	1	CYLINDER	S/N 057053 & UP
19	10157609560	1	COVER, CYLINDER	
20	89011209560	1	LABEL, MODEL	
21	89019406360	1	LABEL, CAUTION HOT	
22	90023805016	3	SCREW 5X16	S/N 001001 - 050013
23	10401609560	1	COVER, ENGINE	S/N 001001 - 050013 (SEE NOTE 1)
23	10401609661	1	COVER, ENGINE	S/N 050014 & UP
24	90025305020	1	SCREW 5X20	
25	10400509560	1	COVER	S/N 001001 - 050013
25	10400509562	1	COVER	S/N 050014 & UP (SEE NOTE 2)
26	10491009560	4	CUSHION	
SB1016		1	SHORT BLOCK (NON-EMISSION)	INCLUDES FACTORY ASSEMBLED CYLINDER, CRANKCASE, PISTON, CRANK SHAFT, BEARINGS, SEALS & GASKETS
SB1027		1	SHORT BLOCK (TYPE 1E)	
LB1012		1	LONG BLOCK (NON-EMISSION)	INCLUDES SB1016, CARBURETOR, MAGNETO SYS, & STARTER ASY
88900009560		1	GASKET KIT (S/N 001001 - 017620)	INCLUDES THE FOLLOWING ITEMS
10101044332		1	GASKET, CYLINDER BASE	
-----		1	GASKET, CRANKCASE	
13001009561		2	GASKET, INTAKE	
13001609561		1	GASKET, INTAKE	
14586609560		2	GASKET, MUFFLER LID	
14551009560		1	GASKET, MUFFLER	
88900009660		1	GASKET KIT (S/N 017621 & UP)	INCLUDES THE FOLLOWING ITEMS
10101044332		1	GASKET, CYLINDER BASE	
-----		1	GASKET, CRANKCASE	
13001009561		2	GASKET, INTAKE	
13001609561		1	GASKET, INTAKE	
13001005960		1	GASKET, INTAKE	
14586609660		1	GASKET, MUFFLER LID	
14551042031		2	GASKET, MUFFLER	

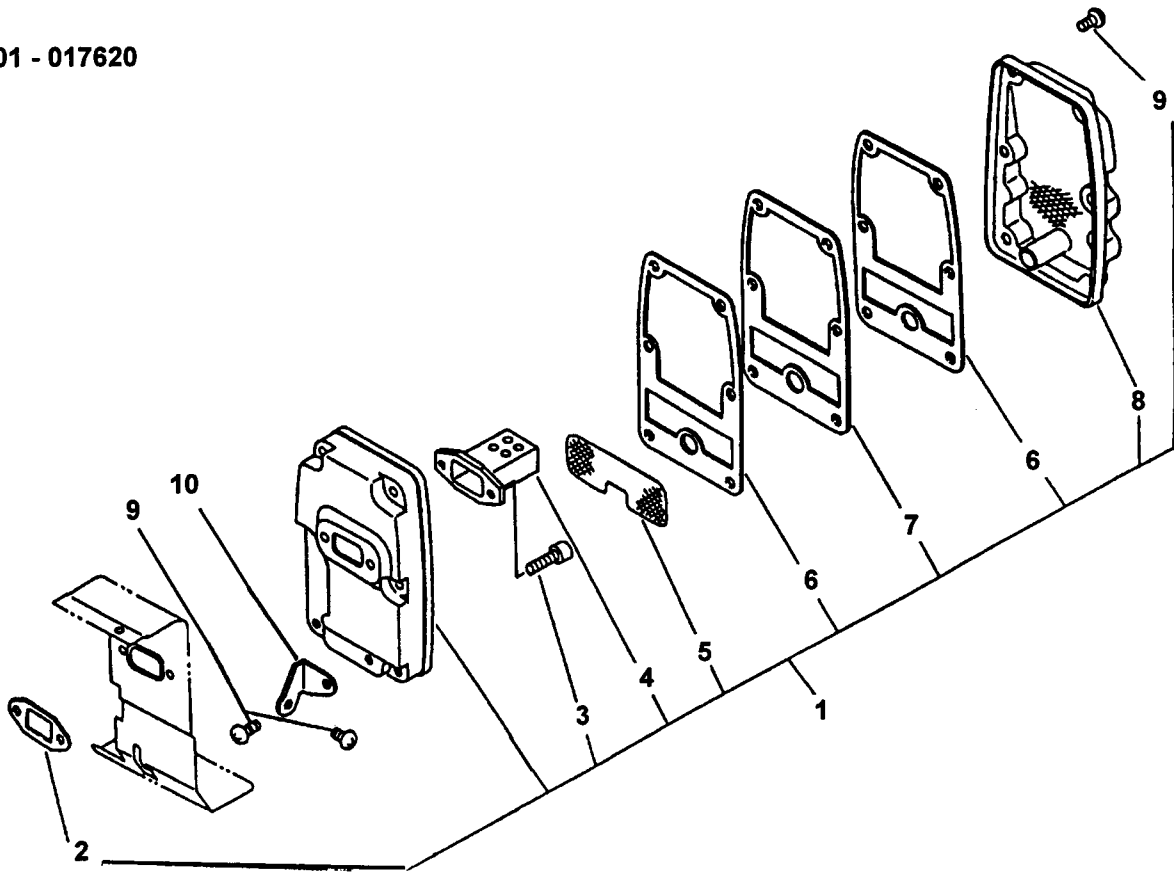
**NOTE 1:** P/N 10401609560 SUPERSEDES TO P/N 10401609661 ENGINE COVER WHICH ELIMINATES TWO BOTTOM MOUNTING SCREWS OVER FUEL TANK. DISCARD ORIGINAL SCREWS.

**NOTE 2:** P/N 10401609562 ELIMINATES RETAINING NUT. IF REPLACED ON UNITS S/N 050014 AND EARLIER, DISCARD THE TWO MOUNTING SCREWS RETAINING ENGINE COVER 10401609560 ABOVE THE FUEL TANK.

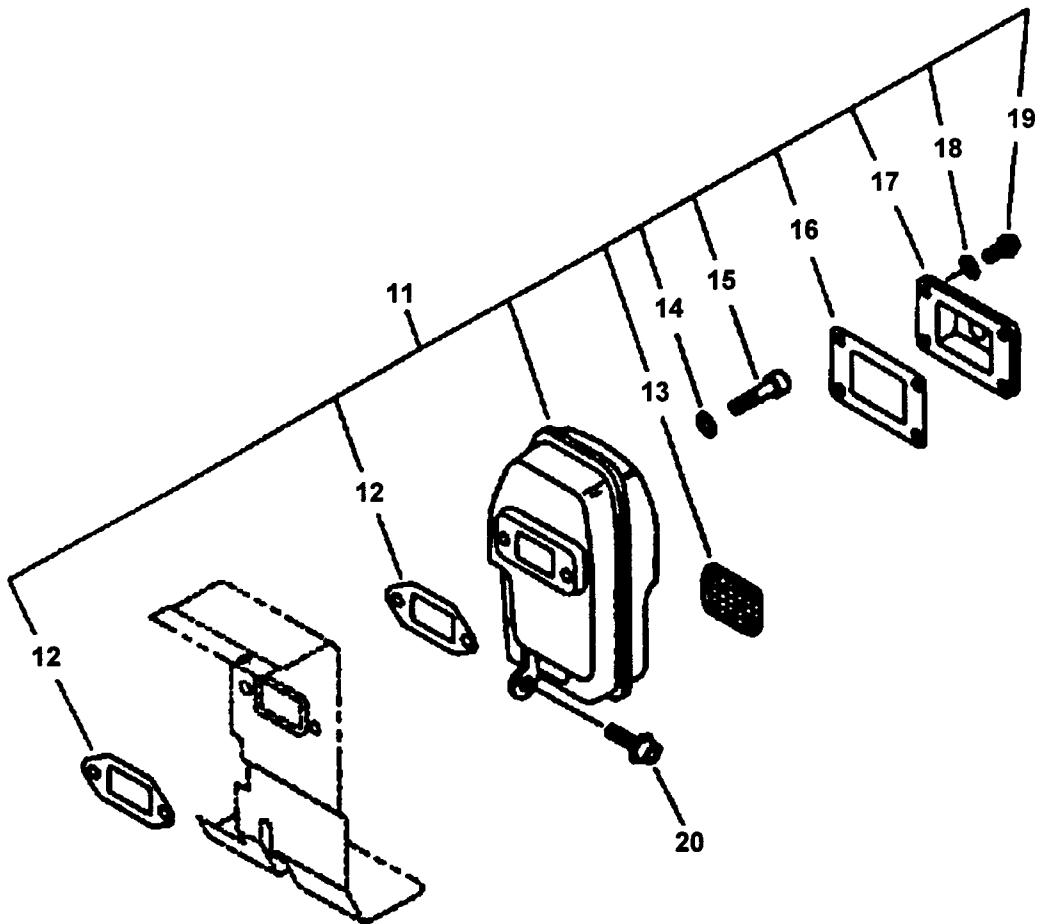
# PB-2400 TYPE 1

## MUFFLER

S/N 001001 - 017620



S/N 017621 & UP

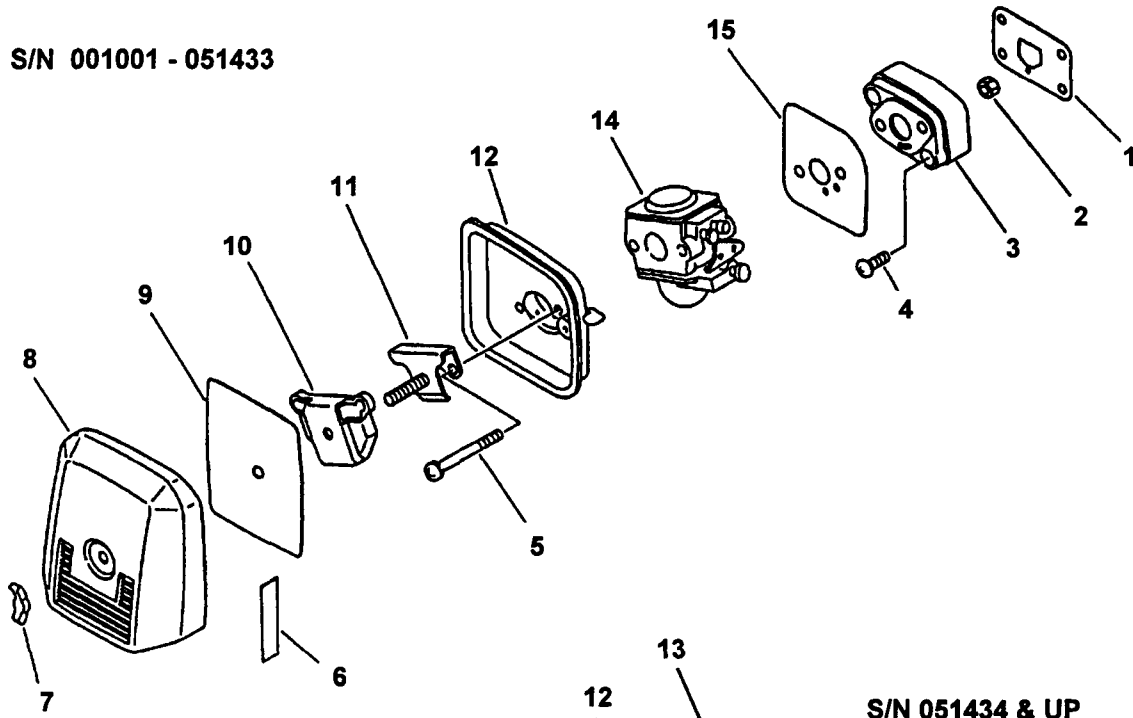


KEY	PART NUMBER	QTY	DESCRIPTION	REMARKS
1	14580009560	1	MUFFLER ASY	S/N 001001 - 017620 INCLUDES ITEMS 2 - 9
2	14551009560	1	GASKET, MUFFLER	SEE KIT ON PAGE 3
3	90010505018	2	BOLT H.S. 5X18	
4	14585951030	1	DIFFUSER, MUFFLER	
5	14586251030	1	SCREEN, MUFFLER	
6	14586609560	2	GASKET, MUFFLER LID	SEE KIT ON PAGE 3
7	14588009560	1	SILENCER, MUFFLER	
8	14580809560	1	LID, MUFFLER	
9	90023805016	8	SCREW 5X16	
10	14571109560	1	STAY, MUFFLER	
11	14580009660	1	MUFLER ASY	S/N 017621 & UP INCLUDES ITEMS 12 - 19
12	14551042031	2	GASKET, MUFFLER	SEE KIT ON PAGE 3
13	14586240630	1	SCREEN, MUFFLER	
14	90060000005	2	WASHER	
15	90010505060	2	BOLT 5X60	
16	14586609660	1	GASKET, MUFFLER LID	SEE KIT ON PAGE 3
17	14580909660	1	GUIDE, EXHAUST	
18	90060500004	4	WASHER	
19	90011504012	4	SCREW 4X12	
20	90016205016	1	BOLT H.S. 5X16	

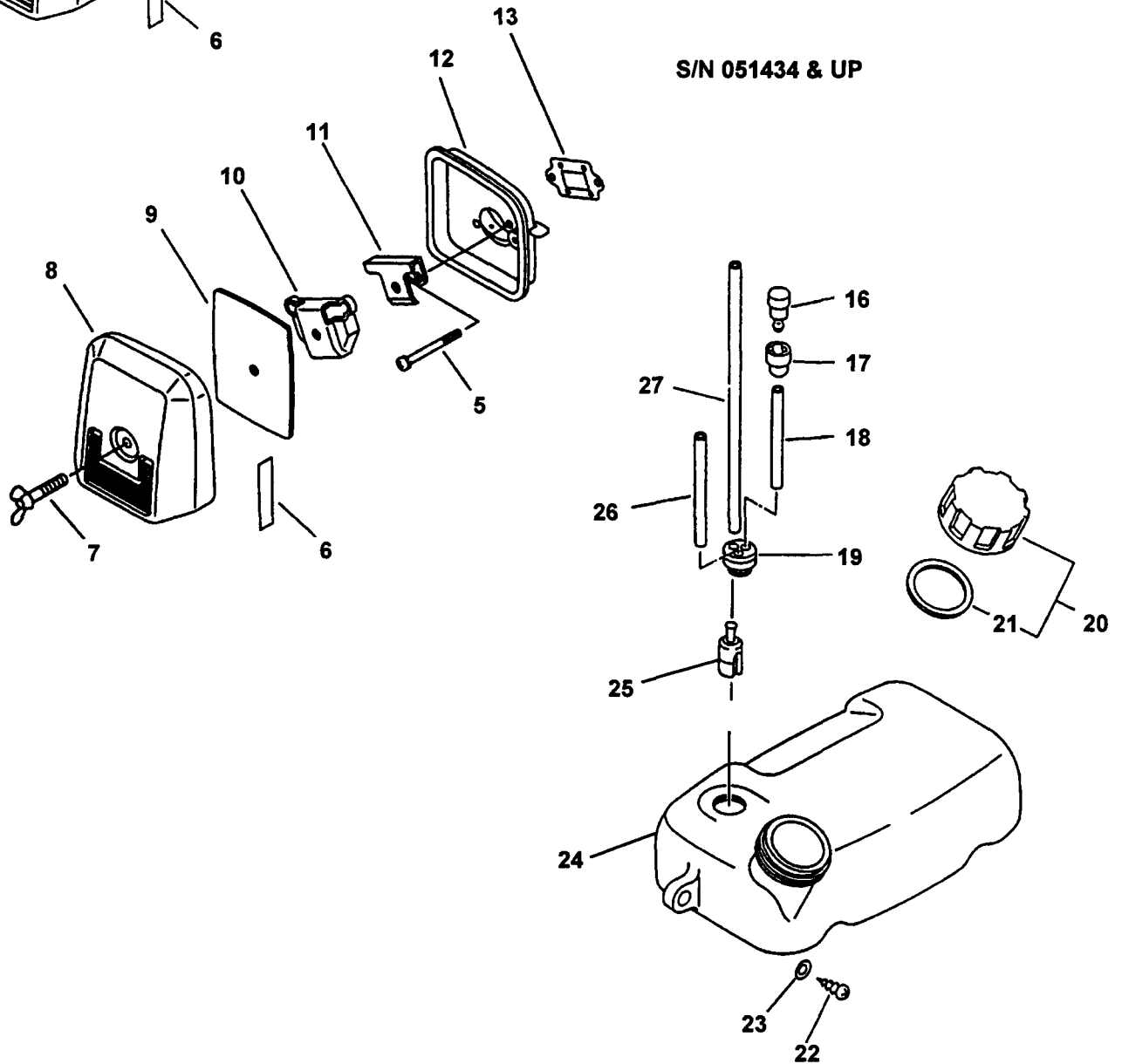
# PB-2400 TYPE 1

## INTAKE, AIR FILTER, FUEL SYSTEM

S/N 001001 - 051433



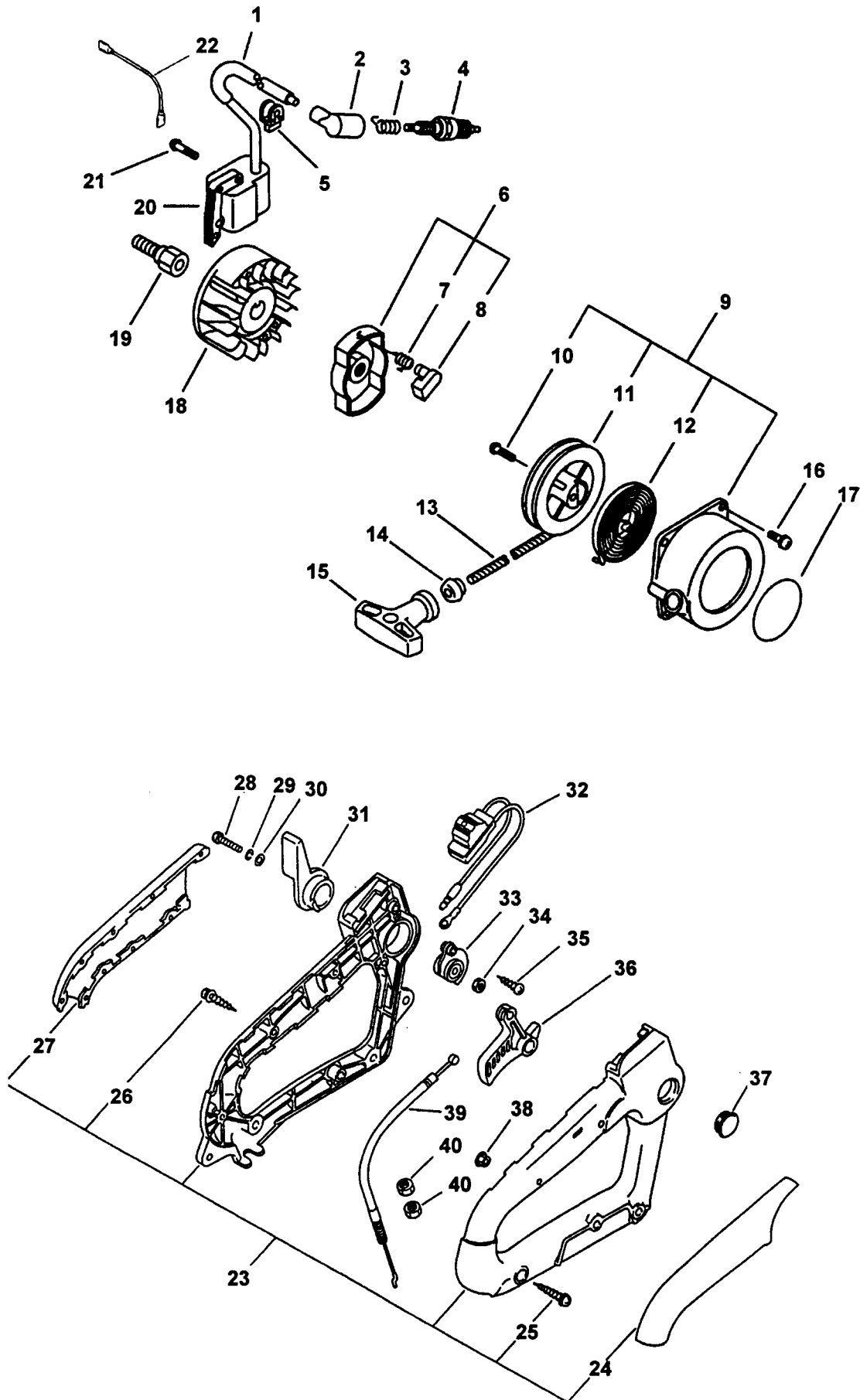
S/N 051434 & UP



KEY	PART NUMBER	QTY	DESCRIPTION	REMARKS
1	13001009561	1	GASKET, INTAKE	SEE KIT PAGE 3
2	90050000005	2	NUT 5	
3	13001705061	1	INSULATOR	
4	90023805022	2	SCREW 5X22	
5	90024105055	2	SCREW 5X55	
6	89012109660	1	LABEL, CHOKE	
7	90052800005	1	NUT, WING	S/N 001001 - 051433
7	21041709560	1	WING, STUD	S/N 051434 & UP
8	13031309560	1	COVER, AIR CLEANER	S/N 001001 - 051433
8	13031309561	1	COVER, AIR CLEANER	S/N 051434 & UP
9	13031051830	1	FILTER, AIR H.D.	INCLUDED IN KIT 90030 & 90057
10	12901109560	1	PLATE	
11	13042209560	1	PLATE, PREVENT	S/N 001001 - 051433
11	<b>13042209660</b>	1	PLATE, PREVENT	S/N 051434 & UP
12	13030709560	1	CASE ASY, AIR CLEANER	S/N 001001 - 049522
12	13030709660	1	CASE ASY, AIR CLEANER	S/N 049523 & UP
13	10158609660	1	SPACER	S/N 049523 & UP
14	12300009560	1	CARBURETOR WT-274	S/N 001001 - 049522
14	12300009661	1	CARBURETOR WT-417	S/N 049523 & UP
15	13001609561	1	GASKET, INTAKE	SEE KIT PAGE 3
16	13130040630	1	VENT ASY	INCLUDED IN KIT 90010 & 90057
17	13132840630	1	COVER, VENT	
18	43721011131	1	PIPE	
19	13211546730	1	GROMMET, FUEL	
20	13100455830	1	CAP ASY, FUEL	INCLUDES ITEM 21 INCLUDED IN KIT 90010
21	13101655830	1	GASKET, FUEL CAP	
22	90025305020	2	SCREW 5X20	
23	90060300005	2	WASHER 5	
24	13100509560	1	TANK, FUEL	
25	13120507320	1	STRAINER, FUEL	INCLUDED IN KIT 90030 & 90057
26	13271706460	1	PIPE 3X5X110	
27	13201011520	1	PIPE 3X5X210	INCLUDED IN KIT 90057

# PB-2400 TYPE 1

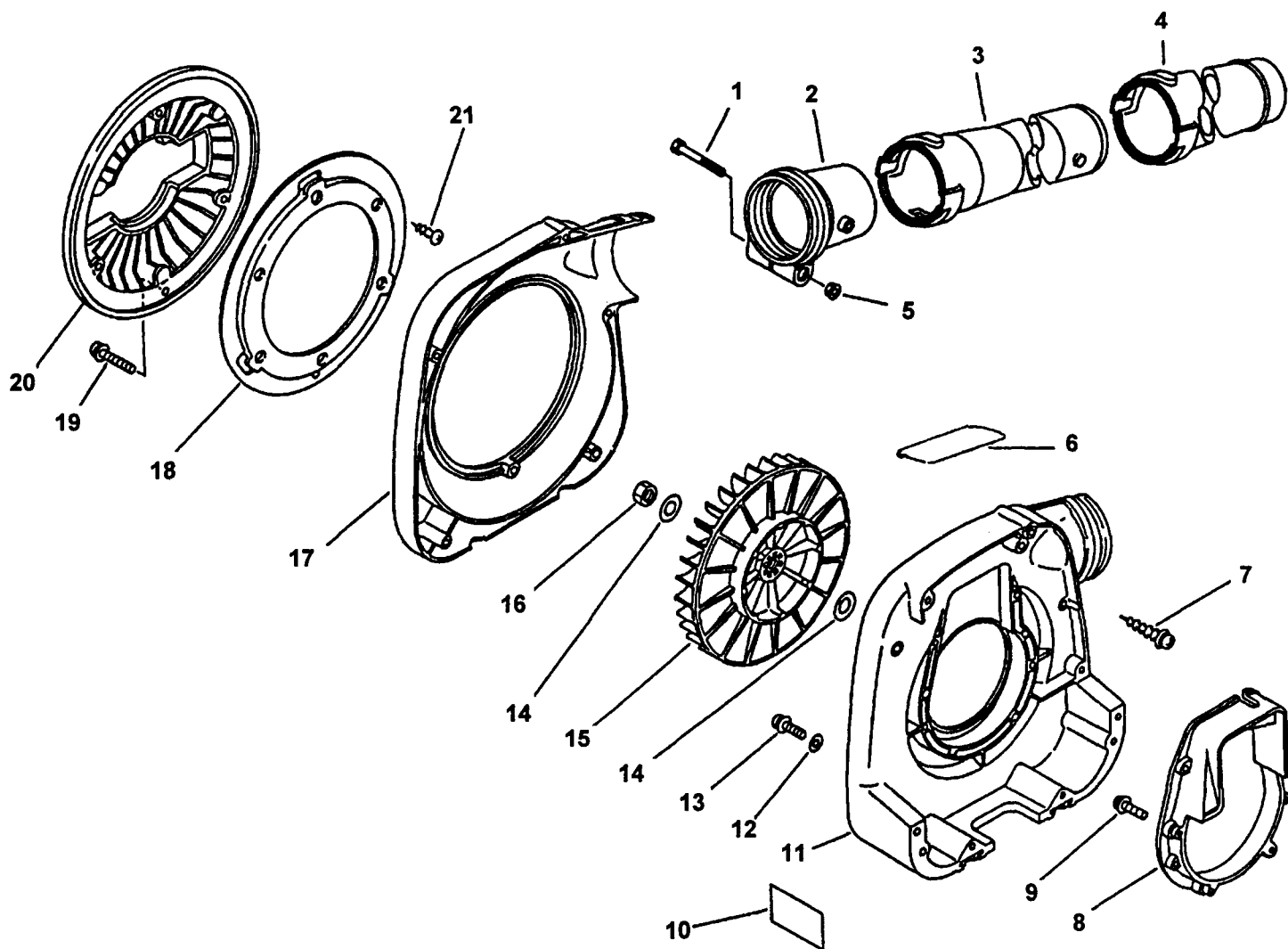
IGNITION, STARTER, HANDLE, STOP SWITCH, THROTTLE



KEY	PART NUMBER	QTY	DESCRIPTION	REMARKS
1	15661105060	1	TUBE	
2	15901201620	1	CAP, SPARK PLUG	
3	15901103432	1	COIL, SPARK PLUG CAP	
4	99944500071	1	SPARK PLUG BPM-7Y	INCLUDED IN KIT 90057
5	15011205060	1	GROMMET	
6	17720244330	1	PAWL ASY, STARTER	INCLUDES ITEMS 7 & 8
7	17723442030	1	SPRING, RETURN	
8	17721844330	1	PAWL, STARTER	
9	17720009560	1	STARTER ASY	INCLUDES ITEMS 10 - 15
10	17723644330	1	SCREW	
11	17721505960	1	DRUM, STARTER	
12	17722042030	1	SPRING, REWIND	
13	-----	1	ROPE, STARTER	USE BULK ROPE 99944400050
14	17722709560	1	GUIDE, ROPE	
15	17722806530	1	GRIP, STARTER	
16	90016204022	4	BOLT H.S. 4X22	
17	89011849330	1	LABEL, ECHO	
18	15680144731	1	FLYWHEEL	S/N 001001 - 056585
18	<b>15680109660</b>	1	FLYWHEEL	S/N 056586 & UP
19	20001105661	1	HUB, FAN	
20	15662609560	1	COIL, IGNITION	S/N 001001 - 056585
20	<b>15662609660</b>	1	COIL, IGNITION	S/N 056586 & UP
21	90016204022	2	BOLT H.S. 4X22	
22	<b>16201009660</b>	1	LEAD	S/N 056586 & UP
23	35100009561	1	HANDLE SET	S/N 001001 - 050483 INCLUDES ITEMS 24 - 27
23	35100009660	1	HANDLE SET	S/N 050484 & UP INCLUDES ITEMS 24 - 27
24	35131109561	1	GRIP, HANDLE R.H.	S/N 001001 - 050483
24	35131109660	1	GRIP, HANDLE R.H.	S/N 050484 & UP
25	90025305035	2	SCREW 5X35	
26	90025604022	5	SCREW 4X22	
27	35131509561	1	GRIP, HANDLE L.H.	S/N 001001 - 050483
27	35131509660	1	GRIP, HANDLE R.H.	S/N 050484 & UP
28	90023506020	1	SCREW 6X20	
29	90060500005	1	WASHER, SPRING 6	
30	90060300006	1	WASHER 6	
31	17805407560	1	CONTROL, THROTTLE	
32	16340009560	1	SWITCH, IGNITION	
33	17812307561	1	BRACKET, THROTTLE	
34	90050000006	1	NUT 6	
35	90024504010	1	SCREW 4X10	
36	17801007560	1	TRIGGER, THROTTLE	
37	35114607560	1	PLUG	
38	90051600005	1	NUT, FLANGE 5	
39	17800109560	1	WIRE, THROTTLE	
40	90050200006	2	NUT 6	

# PB-2400 TYPE 1

## FAN CASE, BLOWER PIPES

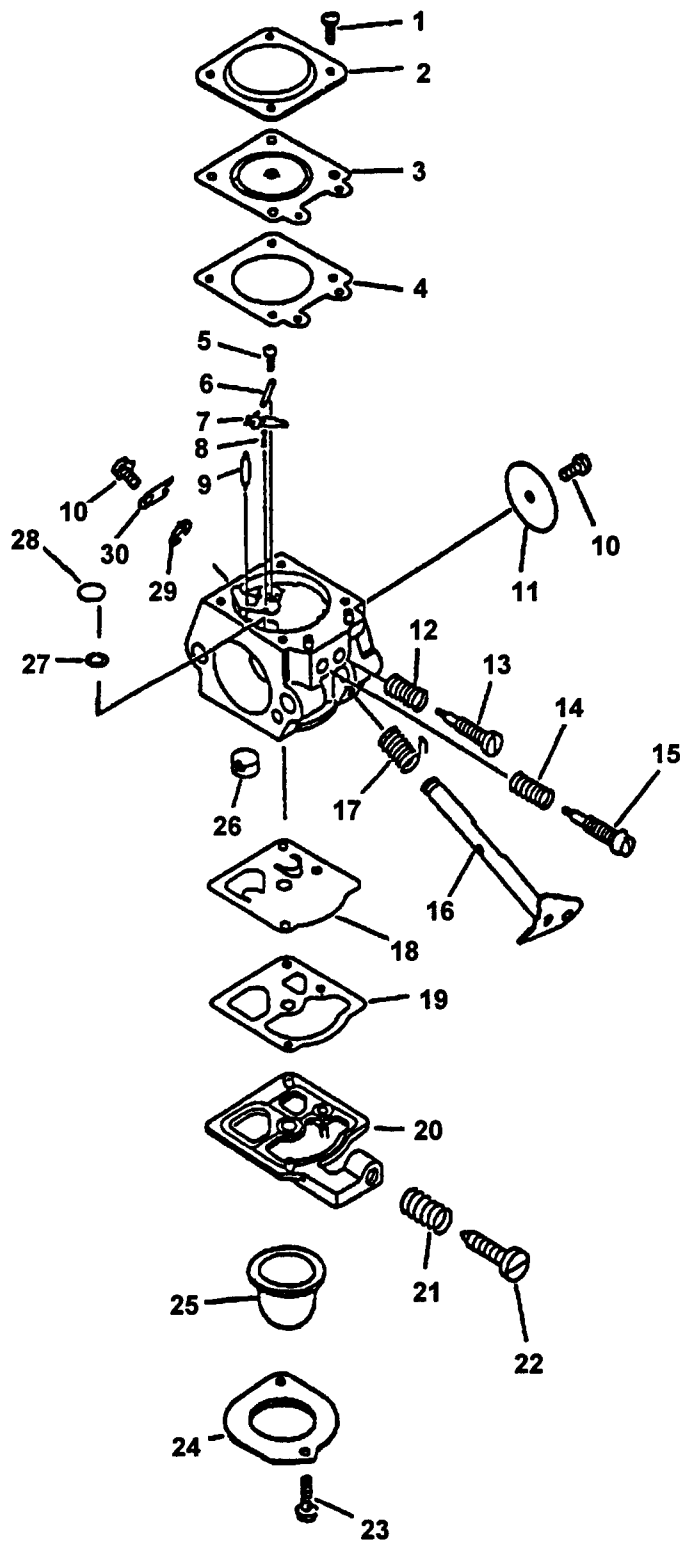


KEY	PART NUMBER	QTY	DESCRIPTION	REMARKS
1	90023505060	1	SCREW 5X60	
2	21002409560	1	PIPE, MAIN	
3	21001409560	1	PIPE, STRAIGHT	
4	21002709560	1	ADAPTER, PIPE	
5	90051600005	1	NUT, FLANGE 5	
6	<b>89017609561</b>	1	LABEL, NOISE	
7	90025305030	5	SCREW 5X30	
8	10493005061	1	BRACKET, ENGINE	
9	90023804018	4	SCREW 4X18	
10	89016003360	1	LABEL, CAUTION	
11	20010709561	1	CASE, FAN	
12	10403208760	5	WASHER	
13	90023804022	5	SCREW 4X22	
14	10013205660	2	WASHER	
15	20001009660	1	FAN	
16	90050000008	1	NUT 8	
17	20010509560	1	CASE, FAN	
18	20014409560	1	BASE, GRID	
19	90023805016	1	SCREW 5X16	
20	20012409560	1	GRID, FAN CASE	
21	90024504010	3	SCREW 4X10	

# PB-2400 TYPE 1

## CARBURETOR

S/N 001001 - 049522

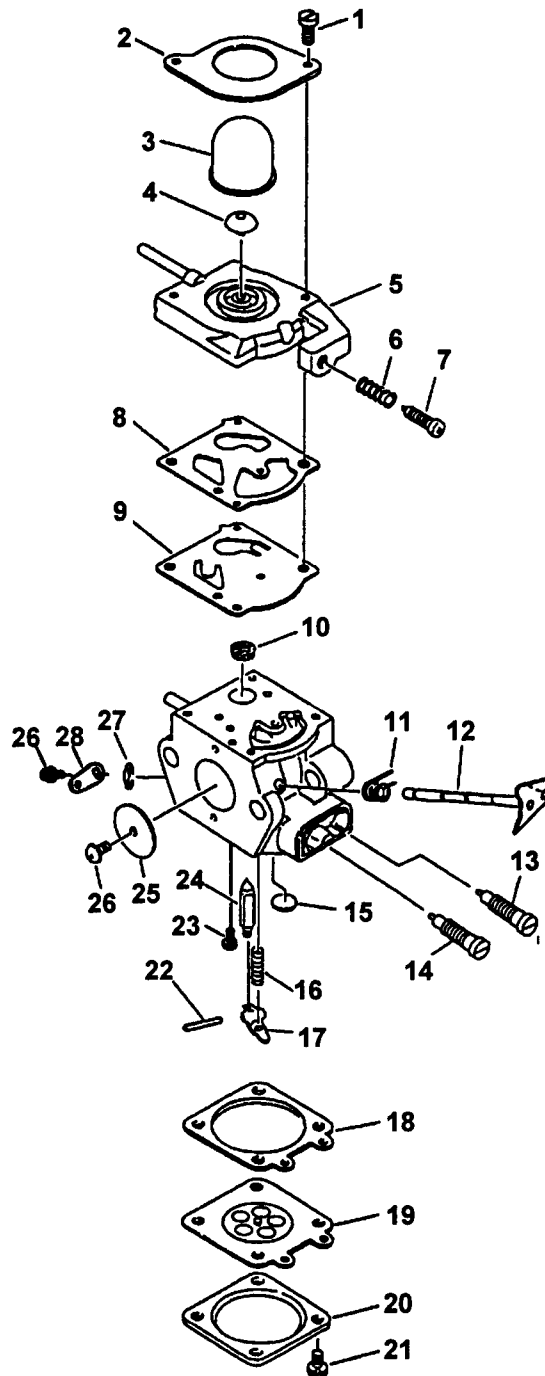


KEY	PART NUMBER	QTY	DESCRIPTION	REMARKS
	12300009560	1	CARBURETOR WT-274	INCLUDES THE FOLLOWING
1	12313002960	4	SCREW, METERING COVER	
2	12314203930	1	COVER, METERING	
3	A B	1	DIAPHRAGM, METERING	
4	A B	1	GASKET, METERING DIAPHRAGM	
5	A	1	SCREW, METERING LEVER PIN	
6	A	1	PIN, METERING LEVER	
7	A	1	LEVER, METERING	
8	A	1	SPRING, METERING LEVER	
9	A	1	VALVE, INLET NEEDLE	
10	12311403930	2	SCREW, VALVE/THROTTLE LEVER	
11	12311609560	1	VALVE, THROTTLE	
12	A	1	SPRING, LOW NEEDLE	
13	12311824430	1	NEEDLE, LOW SPEED	
14	A	1	SPRING, HIGH NEEDLE	
15	12312009560	1	NEEDLE, HIGH SPEED	
16	12311709560	1	SHAFT, THROTTLE	
17	12311303930	1	SPRING, THROTTLE SHAFT	
18	A B	1	DIAPHRAGM, FUEL PUMP	
19	A B	1	GASKET, FUEL PUMP	
20	12312409560	1	COVER ASY, FUEL PUMP	
21	12313304260	1	SPRING, IDLE ADJUST SCREW	
22	12313404260	1	SCREW, IDLE ADJUST	
23	12311009560	2	SCREW, PUMP COVER	
24	12314209560	1	COVER, PURGE PUMP	
25	12318109560	1	PUMP, PURGE	
26	A	1	SCREEN, FUEL INLET	
27	12316910630	1	RING, SCREEN RETAINING	
28	A	1	PLUG, WELCH	
29	12312715030	1	RING, THROTTLE SHAFT RETAINING	
30	12315038330	1	LEVER, THROTTLE	
A	12310009560	1	REPAIR KIT	
B	12310109560	1	GASKET/DIAPHRAGM KIT	

# PB-2400 TYPE 1

## CARBURETOR

S/N 049523 & UP



KEY	PART NUMBER	QTY	DESCRIPTION	REMARKS
	12300009661	1	CARBURETOR WT-417	INCLUDES THE FOLLOWING
1	12311003930	2	SCREW	
2	12314209560	1	COVER, PURGE PUMP	
3	12318109560	1	PUMP, PURGE	
4	12317135630	1	VALVE, CHECK	
5	12312409660	1	COVER, FUEL PUMP	
6	12313311130	1	SPRING, IDLE ADJUST SCREW	
7	12313404260	1	SCREW, IDLE ADJUST	
8	A B	1	GASKET, FUEL PUMP	
9	A B	1	DIAPHRAGM, FUEL PUMP	
10	A	1	SCREEN, FUEL INLET	
11	12311303930	1	SPRING, THROTTLE RETURN	
12	12311709660	1	SHAFT, THROTTLE	
13	12312009460	1	NEEDLE, HIGH SPEED	
14	12311803660	1	NEEDLE, LOW SPEED	
15	A	1	PLUG, WELCH	
16	A	1	SPRING, METERING LEVER	
17	A	1	LEVER, METERING	
18	A B	1	GASKET, METERING DIAPHRAGM	
19	A B	1	DIAPHRAGM, METERING	
20	12314203930	1	COVER, METERING DIAPHRAGM	
21	A	4	SCREW, METERING COVER	
22	A	1	PIN, METERING LEVER	
23	A	1	SCREW, METERING LEVER PIN	
24	A	1	VALVE, INLET NEEDLE	
25	12311623230	1	VALVE, THROTTLE	
26	12311403930	2	SCREW, THROTTLE VALVE	
27	12312715030	1	RING, THROTTLE SHAFT RETAINING	
28	12315038330	1	LEVER, THROTTLE	
A	12310009660	1	REPAIR KIT	
B	12310109660	1	GASKET/DIAPHRAGM KIT	