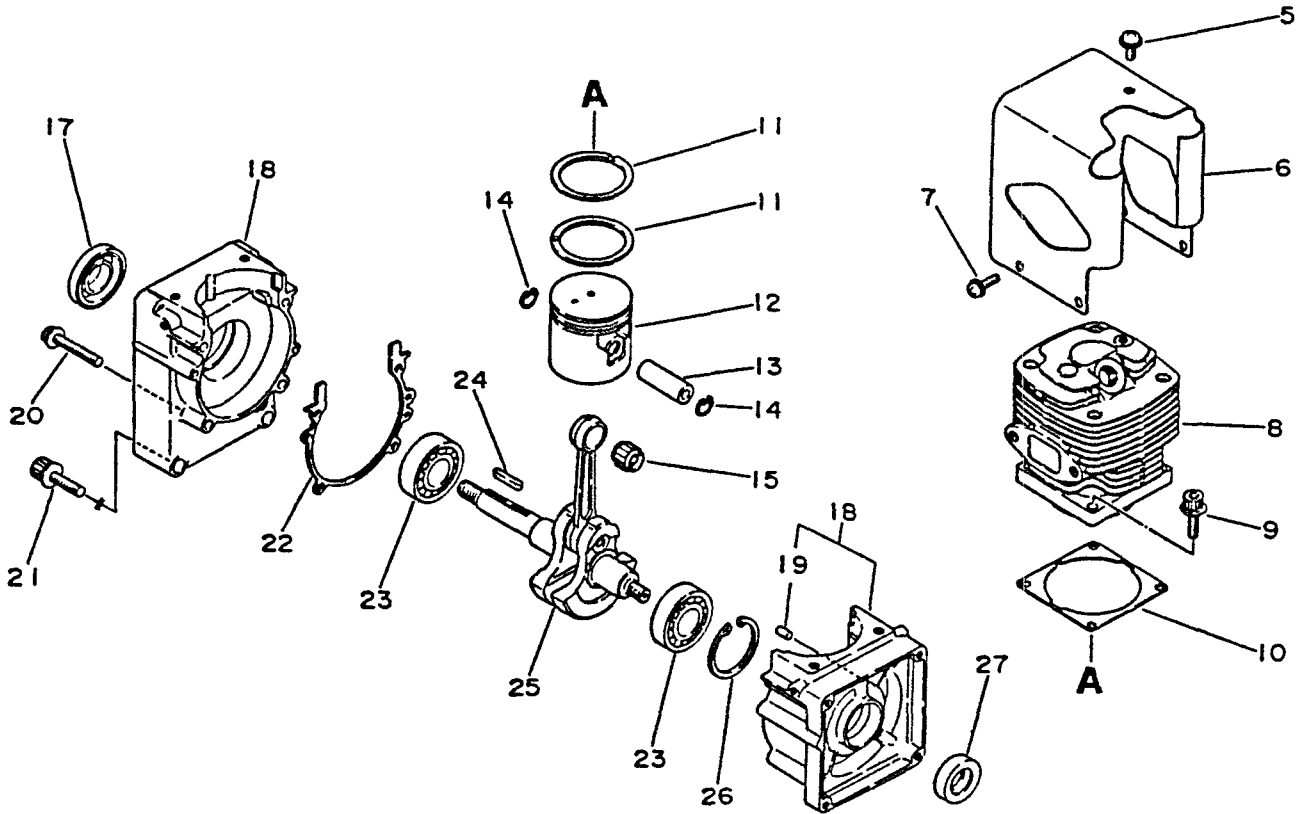




**POWER BLOWER
PARTS CATALOG
MODEL PB-4500
SERIAL NUMBER 0 TO 34075**

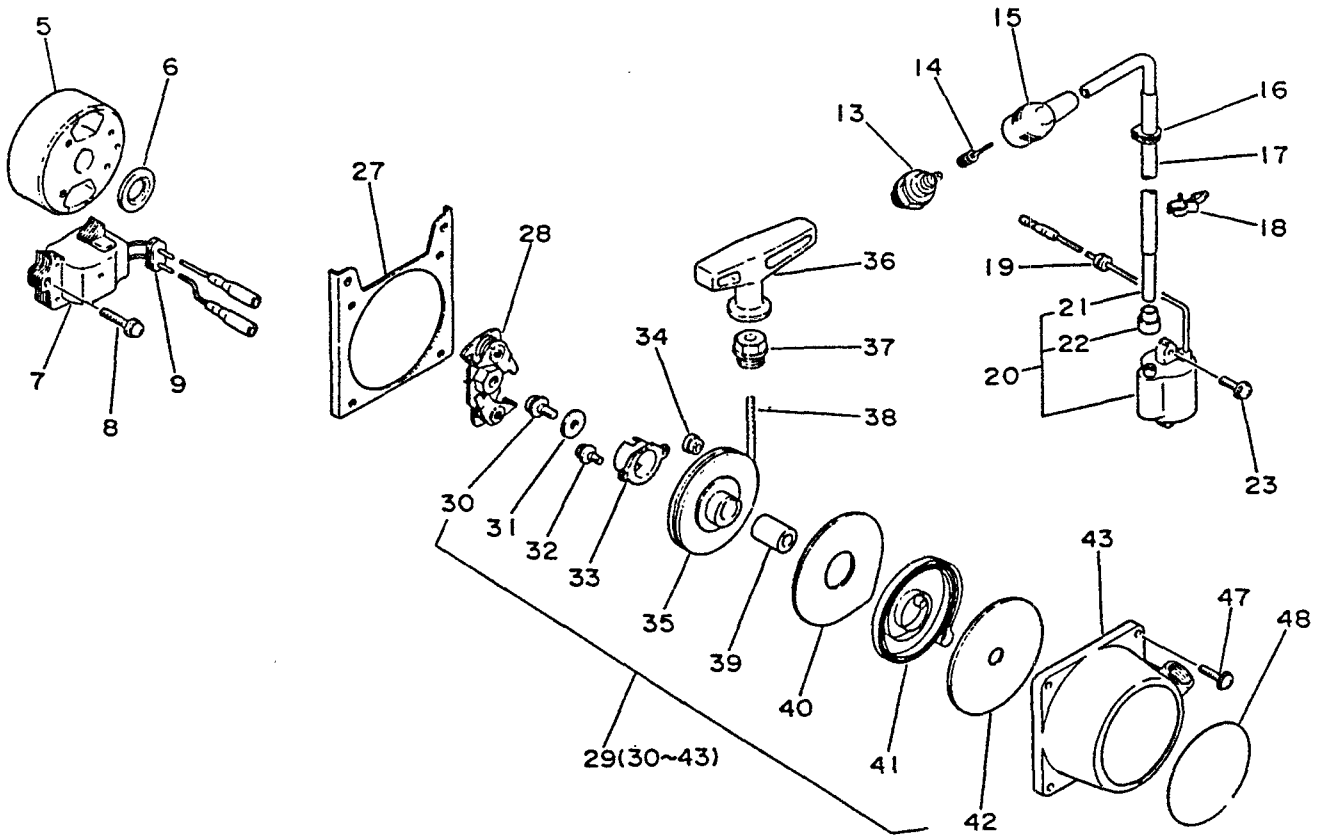
**ECHO, INCORPORATED
400 OAKWOOD ROAD - LAKE ZURICH, IL 60047**

**999222 01938
02/91**



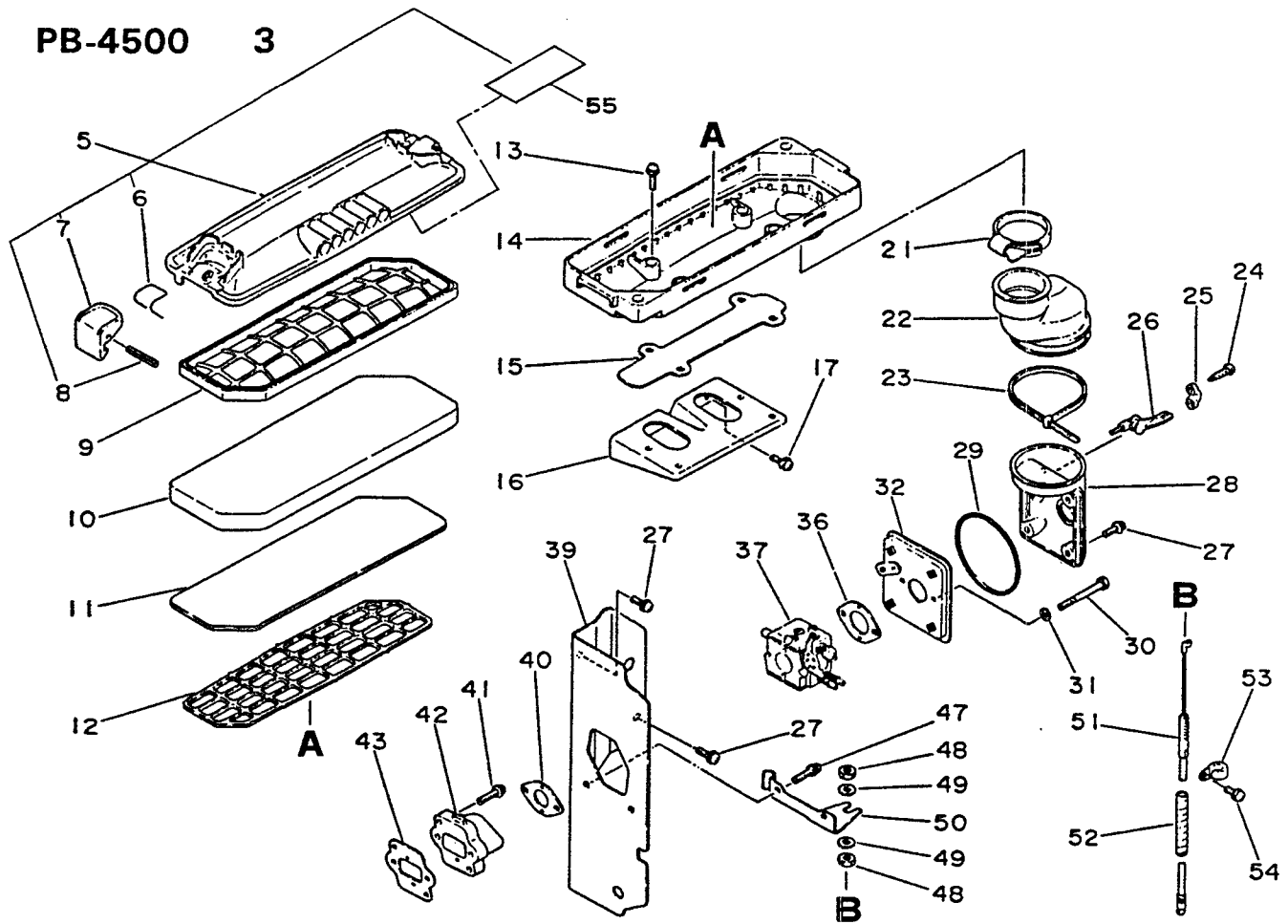
| Key No. | Part Number | Q'ty | Description | Key No. | Part Number | Q'ty | Description |
|---------|-----------------------|----------|----------------------|---------|----------------|------|---------------------|
| 1- 5 | 900 242-0501 0 | 1 | Screw 5x10 | 1- 21 | 900 162-0602 0 | 4 | Bolt, H.S. 6x20 |
| 6 | 101 514-0426 0 | 1 | Cover, cylinder (BL) | * 22 | USE KIT | 1 | Gasket, crankcase |
| 7 | 900 242-0401 0 | 2 | Screw 4x10 | 23 | 900 810-3620 2 | 2 | Bearing, ball 6202 |
| 8 | 101 011-0426 0 | 1 | Cylinder | 24 | 900 325-0302 5 | 1 | Key |
| 9 | 900 162-0502 0 | 4 | Bolt, H.S. 5x20 | 25 | 100 100-0426 0 | 1 | Crankshaft assembly |
| * 10 | USE KIT | 1 | Gasket | 26 | 900 762-0003 5 | 1 | Circlip 35 |
| 11 | 100 011-1053 0 | 2 | Ring, piston | 27 | 100 213-0031 0 | 1 | Oilseal |
| 12 | 100 010-0321 0 | 1 | Piston | | | | |
| 13 | 100 013-0041 0 | 1 | Pin, piston | | | | |
| 14 | 100 015-0012 0 | 2 | Circlip, piston pin | | | | |
| 15 | 100 012-1233 0 | 1 | Bearing, needle | | | | |
| 17 | 100 213-0283 0 | 1 | Oilseal | | | | |
| 18 | 100 200-0426 0 | 1 | Crankcase set | | | | |
| 19 | -100 215-0393 0 | 2 | Pin, dowel | | | | |
| 20 | 900 242-0503 0 | 4 | Screw 5x30 | | | | |

*USE GASKET KIT P/N 889000-04260

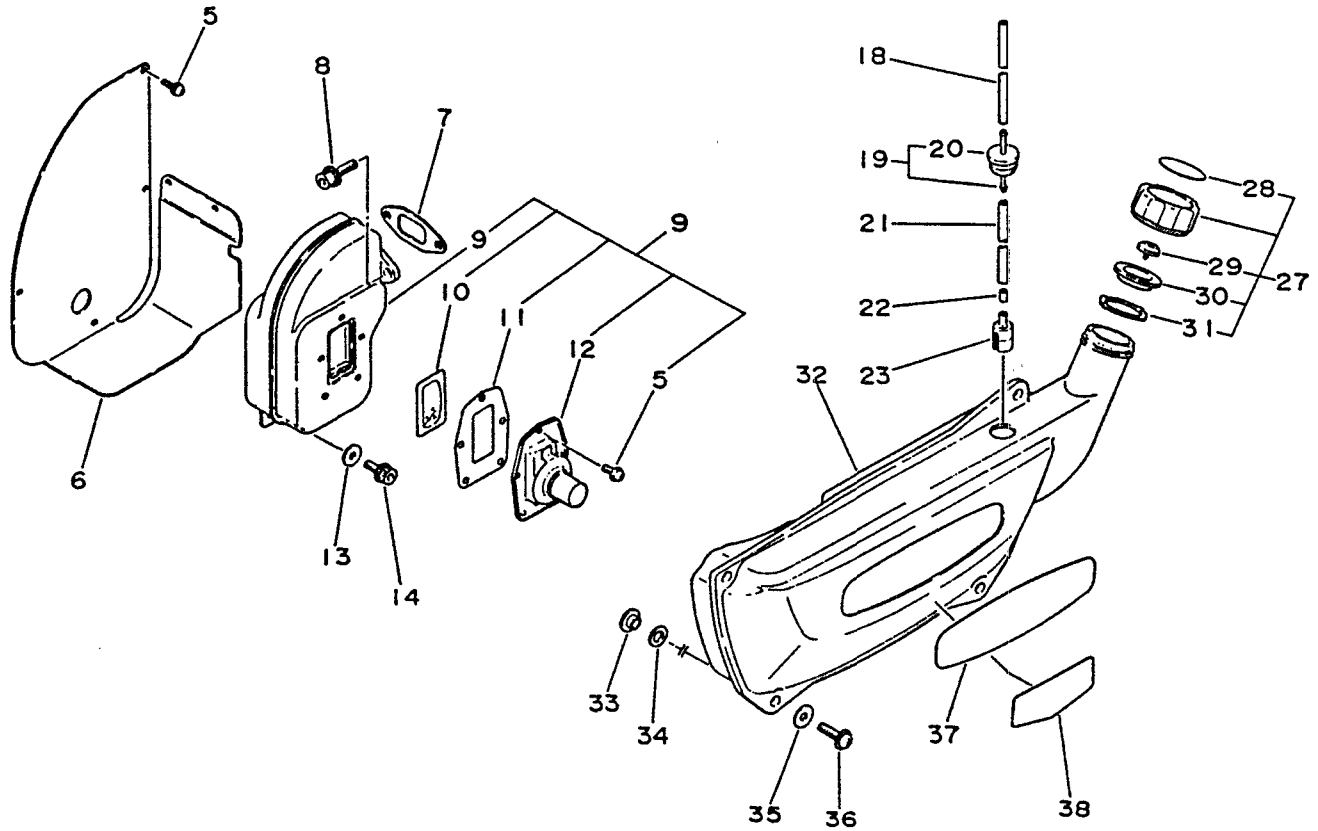


| Key No. | Part Number | Q'ty | Description | Key No. | Part Number | Q'ty | Description |
|---------|-------------|------|--------------------------------|---------|-------------|------|--------------------|
| 2- | 5 | 1 | Flywheel | 2- | 31 | 1 | Washer |
| | 6 | 1 | Washer | | 32 | 2 | Screw 4x8 |
| | 7 | 1 | C.D. ignition module | | 33 | 1 | Catcher, pawl |
| | 8 | 2 | Screw 4x20 | | 34 | 1 | Clip, starter rope |
| | 9 | 1 | Grommet | | 35 | 1 | Drum, starter |
| | 13 | 1 | Plug, spark | | 36 | 1 | Grip, starter |
| | 14 | 1 | Coil, spark plug cap | | 37 | 1 | Guide, rope |
| | 15 | 1 | Cap, spark plug | | 38 | 1 | Rope, starter |
| | 16 | 1 | Bushing | | 39 | 1 | Bushing |
| | 17 | 1 | Tube | | 40 | 1 | Plate, starter |
| | 18 | 1 | Clip | | 41 | 1 | Spring, rewind |
| | 19 | 1 | Bushing | | 42 | 1 | Plate, starter |
| | 20 | 1 | Coil, ignition assembly | | 43 | 1 | Case, starter |
| | 21 | 1 | Cord, high tension | | 47 | 4 | Screw 4x16 |
| | 22 | 1 | Cover | | 48 | 1 | Label, ECHO |
| | 23 | 2 | Screw 4x14 | | | | |
| | 27 | 1 | Bracket | | | | |
| | 28 | 1 | Pawl assembly, starter | | | | |
| | 29 | 1 | Starter assembly | | | | |
| | 30 | 1 | Screw 5x10 | | | | |

PB-4500 3

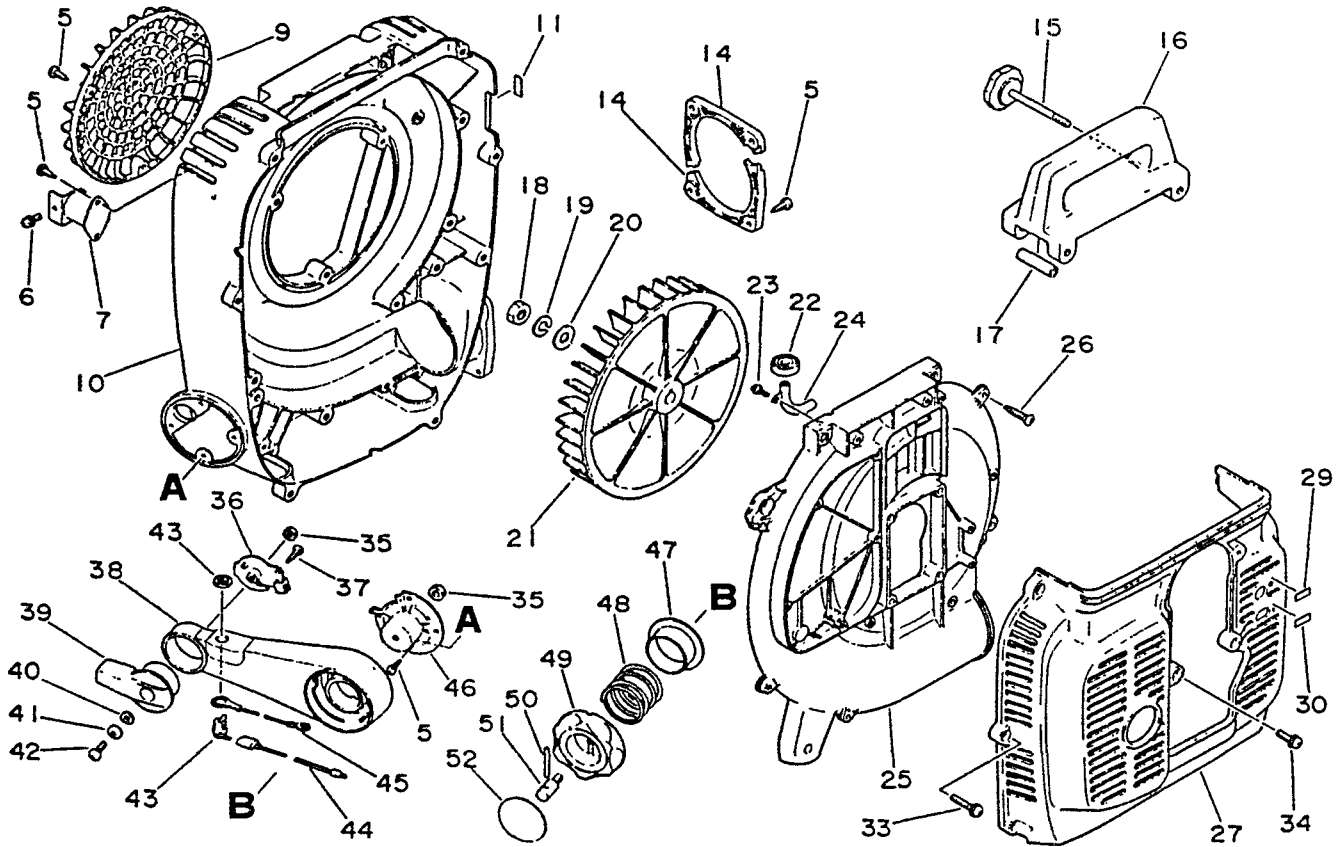


| Key No. | Part Number | Q'ty | Description | Key No. | Part Number | Q'ty | Description |
|---------|-----------------|------|--------------------------|---------|----------------|------|---------------------|
| 3- 5 | 130 302-0426 0 | 1 | Cover ass'y, air cleaner | 3- 32 | 130 405-0426 0 | 1 | Bracket, carburetor |
| 6 | -130 364-0426 0 | 2 | Spring, hook | 36 | 130 016-0373 0 | 1 | Gasket, carburetor |
| 7 | -130 341-0426 0 | 2 | Hook | 37 | 123 000-0426 0 | 1 | Carburetor |
| 8 | -900 340-3002 5 | 2 | Pin, spring 3x25 | 39 | 129 029-0426 0 | 1 | Insulator |
| 55 | -890 187-0426 0 | 1 | Label, cleaner | 40 | 130 016-0643 0 | 1 | Gasket, carburetor |
| 9 | 130 311-0426 0 | 1 | Grid, air cleaner | 41 | 900 242-0502 5 | 2 | Screw 5x25 |
| 10 | 130 310-0426 0 | 1 | Filter, air | 42 | 130 007-0346 0 | 1 | Insulator |
| 11 | 130 317-0426 0 | 1 | Filter, air | 43 | 130 010-0346 0 | 1 | Gasket |
| 12 | 130 319-0426 0 | 1 | Grid, air cleaner | 47 | 900 242-0401 2 | 2 | Screw 4x12 |
| 13 | 900 242-0401 2 | 4 | Screw 4x12 | 48 | 900 502-0000 6 | 2 | Nut 6 |
| 14 | 130 314-0426 0 | 1 | Cover, air cleaner | 49 | 900 600-0000 6 | 2 | Washer 6 |
| 15 | 130 355-0426 0 | 1 | Plate | 50 | 178 111-0346 0 | 1 | Bracket |
| 16 | 130 410-0426 0 | 1 | Bracket, air cleaner | 51 | 178 001-0426 0 | 1 | Wire, throttle |
| 17 | 900 242-0501 4 | 2 | Screw 5x14 | 52 | 178 127-0346 0 | 1 | Tube |
| 21 | 130 715-0426 0 | 1 | Band (S) | 53 | 159 116-2123 1 | 1 | Clamp |
| 22 | 130 714-0426 0 | 1 | Adapter, intake | 54 | 900 242-0501 0 | 1 | Screw 5x10 |
| 23 | 130 713-0426 0 | 1 | Band (L) | | | | |
| 24 | 900 246-0401 6 | 2 | Screw 4x16 | | | | |
| 25 | 178 610-0426 0 | 1 | Holder | | | | |
| 26 | 178 505-0426 0 | 1 | Rod, choke | | | | |
| 27 | 900 242-0401 0 | 4 | Screw 4x10 | | | | |
| 28 | 130 710-0426 0 | 1 | Pipe | | | | |
| 29 | 130 320-1075 0 | 1 | Gasket, air cleaner | | | | |
| 30 | 130 021-0076 1 | 2 | Bolt | | | | |
| 31 | 900 600-0000 5 | 2 | Washer 5 | | | | |



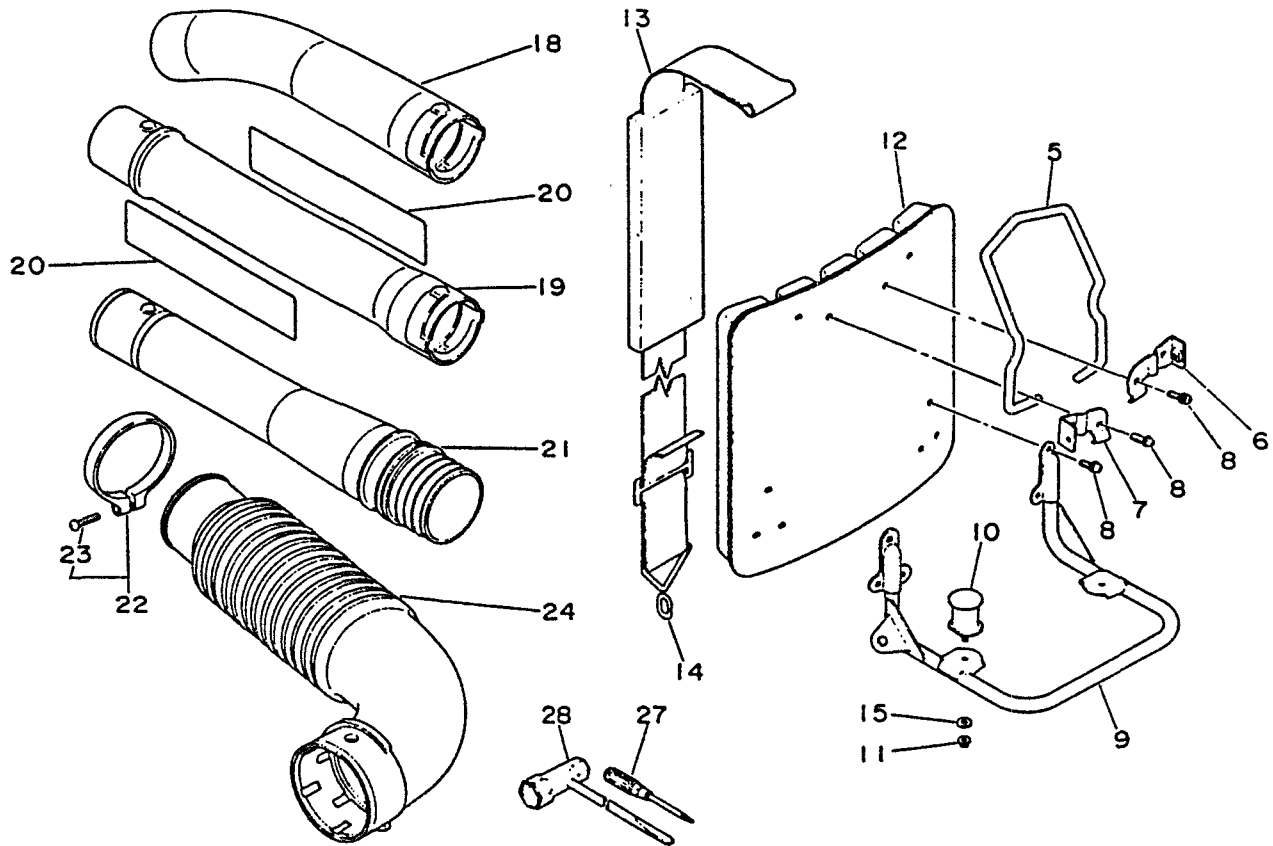
| Key No. | Part Number | Q'ty | Description | Key No. | Part Number | Q'ty | Description |
|---------|-----------------------|----------|-------------------------|-----------|-----------------------|----------|-----------------------------|
| 4- 5 | 900 242-0401 0 | 5 | Screw 4x10 | 4- 21 | 132 010-0426 0 | 1 | Pipe, fuel |
| * 6 | 100 270-0426 0 | 1 | Insulator | 22 | 132 001-1503 0 | 1 | Valve, check |
| * 9 | 145 800-0426 0 | 1 | Muffler assembly | 23 | 131 205-0732 0 | 1 | Strainer, fuel |
| 5 | -900 242-0401 0 | 5 | Screw 4x10 | 27 | 131 600-0336 0 | 1 | Cap ass'y, fuel tank |
| 7 | -145 510-1072 0 | 1 | Gasket | 28 | -890 154-1273 0 | 1 | Label, fuel mix |
| 8 | -900 162-0602 0 | 2 | Bolt, H.S. 6x20 | 29 | -131 314-0632 0 | 1 | Valve, check |
| 10 | -145 862-0426 0 | 1 | Screen, muffler | 30 | -131 015-2133 0 | 1 | Holder, check valve |
| 11 | -145 866-0426 0 | 1 | Gasket | 31 | -131 016-2123 0 | 1 | Gasket, F. tanf cap |
| 12 | -145 876-0426 0 | 1 | Bracket, muffler | 32 | 131 010-0426 0 | 1 | Tank, fuel |
| 13 | 177 214-0283 0 | 1 | Washer | 33 | 131 916-0346 0 | 4 | Spacer |
| 14 | 900 162-0501 4 | 1 | Bolt, H.S. 5x14 | 34 | 131 925-0231 0 | 4 | Cushion |
| 18 | 132 012-0426 0 | 1 | Pipe, fuel | 35 | 300 217-0061 0 | 4 | Washer |
| 19 | 132 005-0336 0 | 1 | Connector, fuel pipe | 36 | 900 242-0502 0 | 4 | Screw 5x20 |
| 20 | -132 115-2133 0 | 1 | Grommet | 37 | 890 118-0346 0 | 1 | Label, ECHO |
| | | | | 38 | 890 115-0426 0 | 1 | Label, model |

* SEE PARTS BULL. 87-13

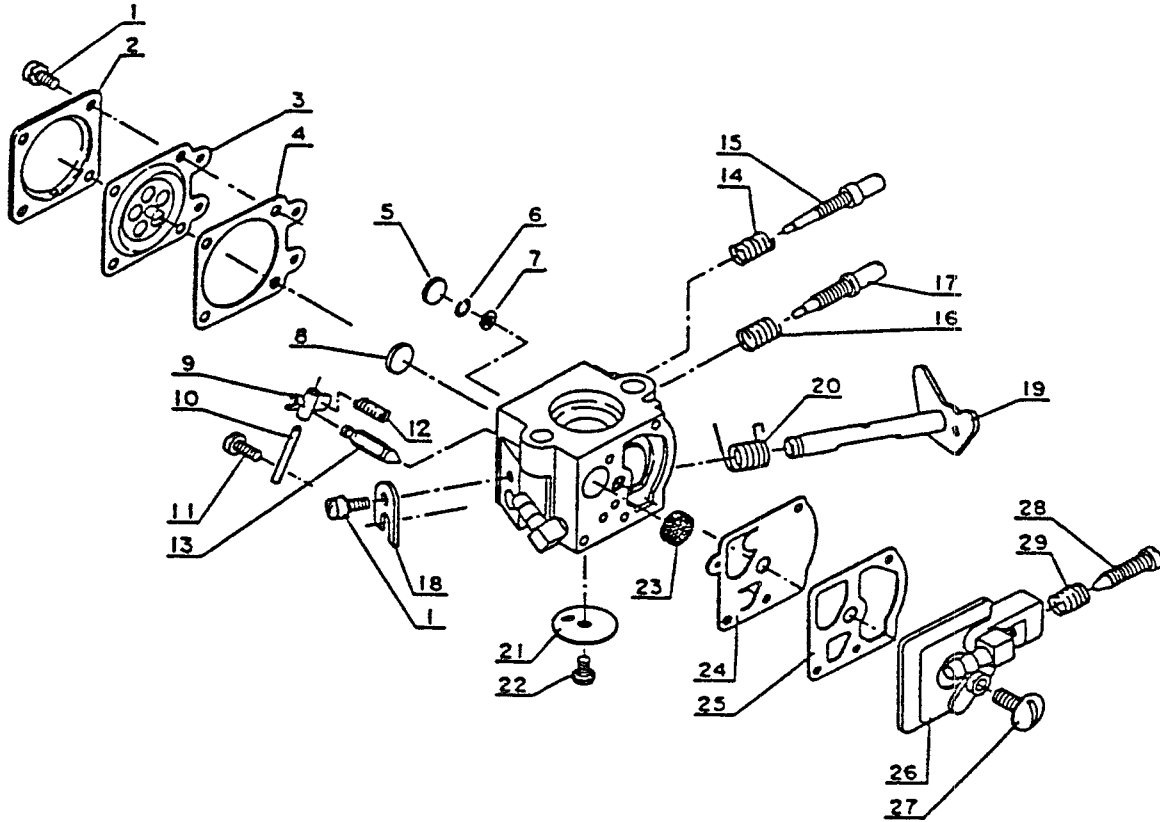


| Key No. | Part Number | Q'ty | Description | Key No. | Part Number | Q'ty | Description |
|---------|-------------|------|-------------------|---------|-------------|------|-------------------------|
| 5- | 5 | 15 | Screw 5x12 | 5- | 36 | 1 | Bracket, throttle |
| | 6 | 2 | Screw 5x12 | | 37 | 1 | Screw 4x10 |
| | 7 | 2 | Cushion | | 38 | 1 | Bracket, throttle lever |
| | 9 | 1 | Grid, fan case | | 39 | 1 | Control, throttle |
| | 10 | 1 | Case, fan | | 40 | 1 | Washer 6 |
| | 11 | 1 | Label, choke | | 41 | 1 | Washer |
| | 14 | 2 | Bracket | | 42 | 1 | Screw 6x20 |
| | 15 | 2 | Bolt | | 43 | 1 | Switch, ignition |
| | 16 | 1 | Grip | | 44 | 1 | Lead |
| | 17 | 2 | Cushion | | 45 | 1 | Lead, ground |
| | 18 | 1 | Nut 10 | | 46 | 1 | Plate |
| | 19 | 1 | Washer, spring 10 | | 47 | 1 | Seat, spring |
| | 20 | 1 | Washer 10 | | 48 | 1 | Spring |
| | 21 | 1 | Fan | | 49 | 1 | Knob |
| | 22 | 1 | Seal | | 50 | 1 | Pin |
| | 23 | 1 | Screw 4x10 | | 51 | 1 | Axle |
| | 24 | 1 | Pipe, intake | | 52 | 1 | Label |
| | *25 | 1 | Case, fan | | | | |
| | 26 | 8 | Screw 5x25 | | | | |
| | *27 | 1 | Cover, engine | | | | |
| | 29 | 1 | Label, idle | | | | |
| | 30 | 1 | Label, caution | | | | |
| | 33 | 6 | Screw 5x20 | | | | |
| | 34 | 2 | Screw 5x15 | | | | |
| | 35 | 2 | Nut 6 | | | | |

* SEE PARTS BULL. 87-13



| Key No. | Part Number | Q'ty | Description | Key No. | Part Number | Q'ty | Description |
|---------|-------------|------|-------------------|---------|-------------|------|---------------------|
| 6- | 5 | 1 | Hanger | 6- | 15 | 2 | Washer |
| | 6 | 1 | Bracket, hanger | | 18 | 1 | Pipe, curved |
| | 7 | 1 | Bracket, hanger | | 19 | 1 | Pipe, straight |
| | 8 | 10 | Screw 5x10 | | 20 | 2 | Label, ECHO |
| | 9 | 1 | Stand | | 21 | 1 | Pipe, swivel |
| | 10 | 2 | Cushion (L) | | 22 | 1 | Clamp w/screw |
| | 11 | 2 | Nut, flange 6 | | 23 | 1 | Scscrew 5x20 |
| | 12 | 1 | Cushion, knapsack | | 24 | 1 | Pipe, flexible |
| | 13 | 2 | Harness, knapsack | | 27 | 1 | Driver, screw |
| | 14 | 2 | Ring, harness | | 28 | 1 | Wrench, w/s. driver |



| Key No. | Part Number | Q'ty | Description | Key No. | Part Number | Q'ty | Description |
|---------|-----------------|------|----------------------|---------|-----------------|------|----------------------|
| 7- | 123 000-0426 0 | 1 | Carburetor assembly | 7- 15 | -123 120-1453 0 | 1 | Needle, high speed |
| 1 | - (A) | 5 | Screw | 16 | - (A) | 1 | Spring, needle |
| 2 | -123 142-0393 0 | 1 | Cover, M. diaphragm | 17 | -123 118-0346 0 | 1 | Needle, idle |
| 3 | - (A) (B) | 1 | Diaphragm, metering | 18 | -123 127-0393 0 | 1 | Clip, throttle shaft |
| 4 | - (A) (B) | 1 | Gasket, M. diaphragm | 19 | -123 117-0346 0 | 1 | Shaft, throttle |
| 5 | - (A) | 1 | Plug, welch | 20 | -123 113-0393 0 | 1 | Spring, thrt. return |
| 6 | - (A) | 1 | Ring, retaining | 21 | -123 116-0393 0 | 1 | Valve, throttle |
| 7 | - (A) | 1 | Screen | 22 | -123 114-0393 0 | 1 | Screw |
| 8 | - (A) | 1 | Plug, welch | 23 | - (A) | 1 | Screen, inlet |
| 9 | - (A) | 1 | Lever, metering | 24 | - (A) (B) | 1 | Diaphragm, fuel pump |
| 10 | - (A) | 1 | Fin, metering lever | 25 | - (A) (B) | 1 | Gasket, fuel pump |
| 11 | - (A) | 1 | Screw, M. lever pin | 26 | -123 124-0296 0 | 1 | Cover, fuel pump |
| 12 | - (A) | 1 | Spring, meter. lever | 27 | -123 110-0393 0 | 1 | Screw, pump cover |
| 13 | - (A) | 1 | Valve, inlet needle | 28 | -123 134-0632 0 | 1 | Screw, idle adjust |
| 14 | - (A) | 1 | Spring, needle | 29 | -123 133-0632 0 | 1 | Spring, idle adjust |

(A) Use Carburetor repair kit ; 123 100-1633 0
 (B) Use Carburetor diaphragm/gasket kit ; 123 101-1053 0

ECHO, INCORPORATED

400 Oakwood Road, Lake Zurich, Illinois 60047
 Phone 312-540-8400