



OPTIONAL ATTACHMENTS & ACCESSORIES

Attachments

89850308032 Bar & Chain Cover - 17"

89850308033 Bar & Chain Cover - 20"

PARTS CATALOG
CS452VL Chain Saw

ECHO, INCORPORATED

400 Oakwood Road Lake Zurich, Illinois 60047 USA

WWW.ECHO-USA.COM



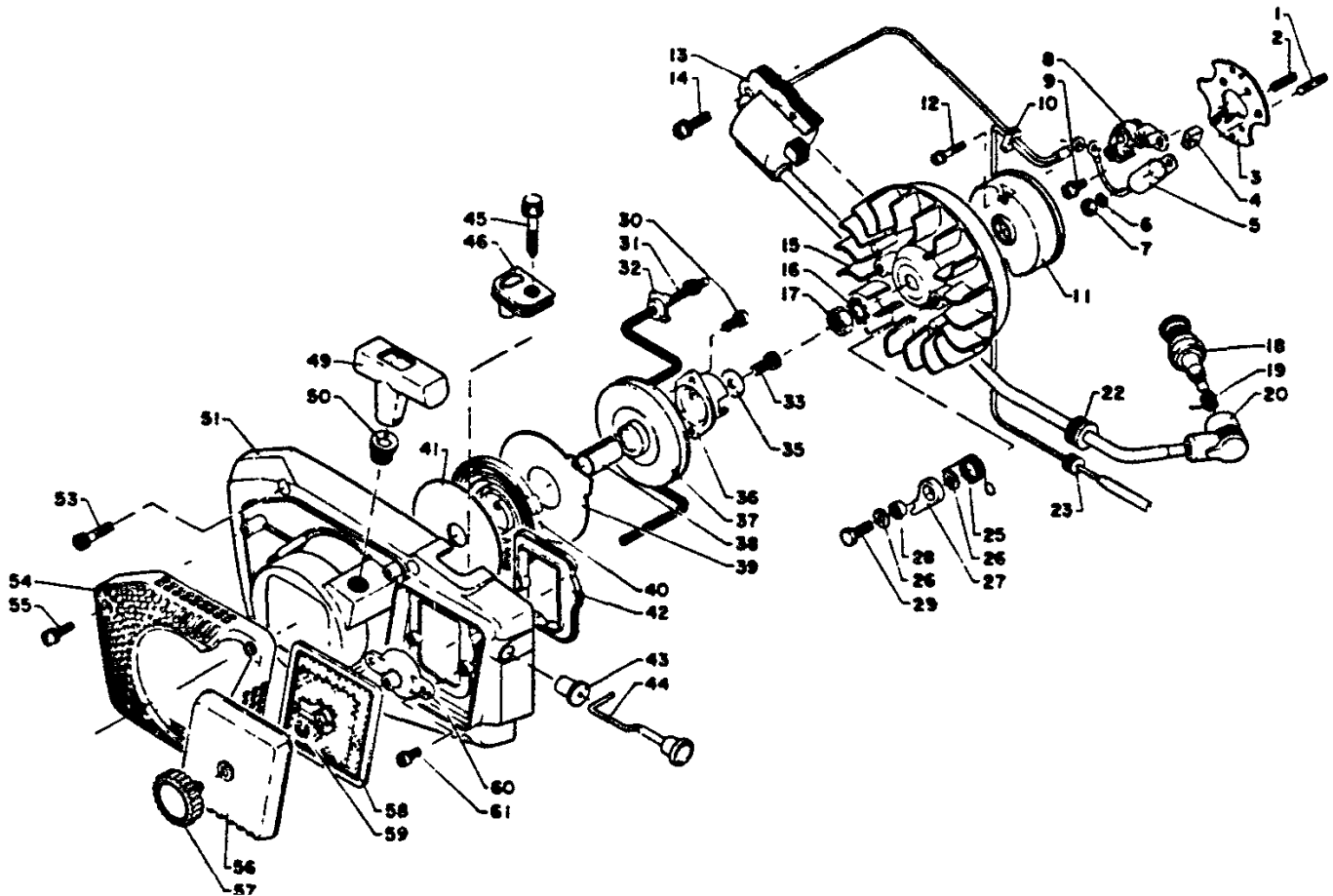
Table of Contents

Click Any Diagram Description Below To View That Diagram.

CS-452VL

Starter, Ignition, Air Cleaner	4
Fuel System, Auto-Oiler.....	8
Engine, Intake, Exhaust, Crankcase.....	10
Carburetor.....	12
Clutch.....	14
Chain Brake, Guide Bar	16
Hand Guard S/N: 023442 - 999999.....	18
Handles S/N: 000000 - 0230441	20
Handles S/N: 023442 - 999999	22
Labels.....	24
Tools.....	26
Part Number Index.....	28
Part Description Index.....	29

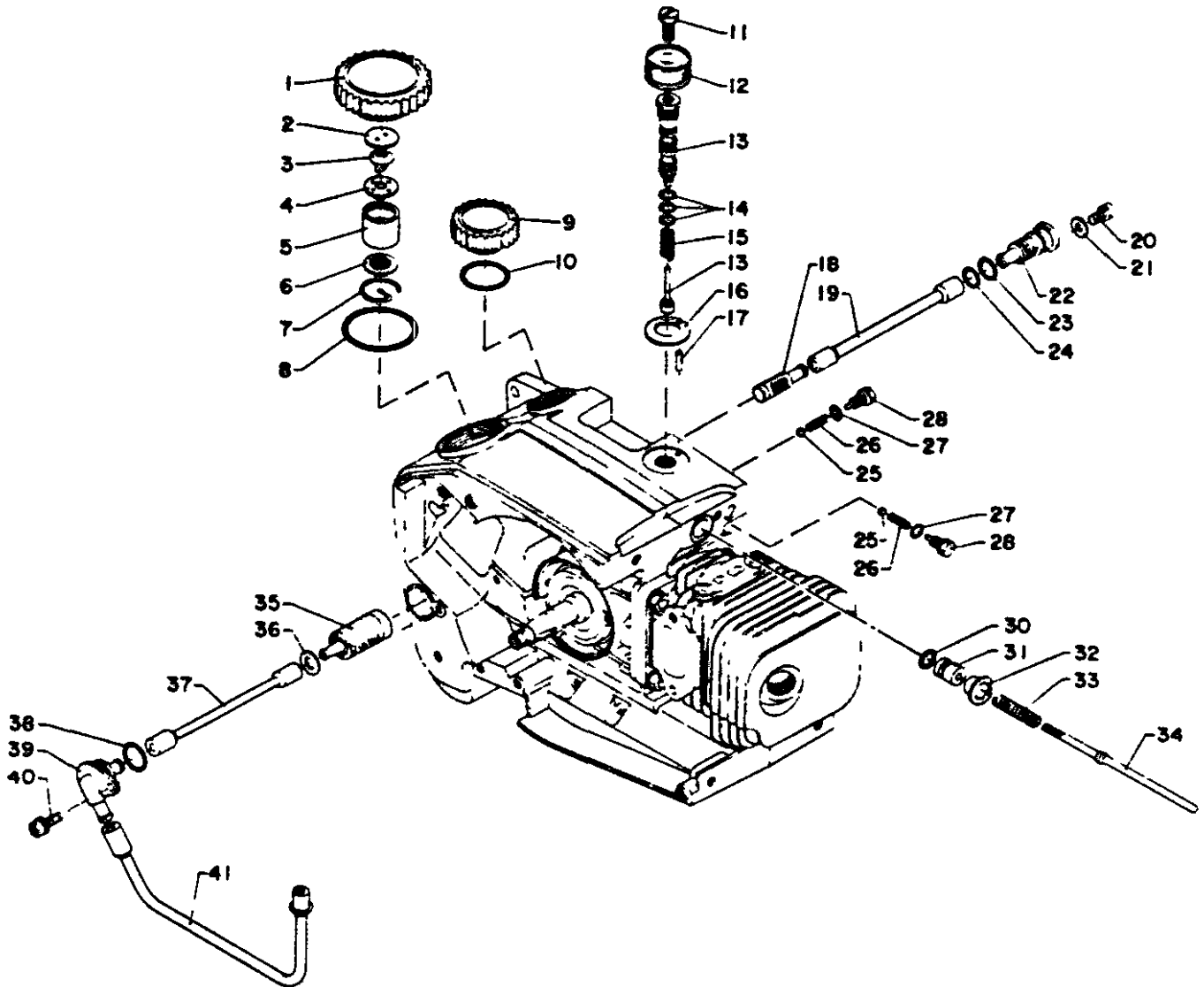
This Page Intentionally Left Blank



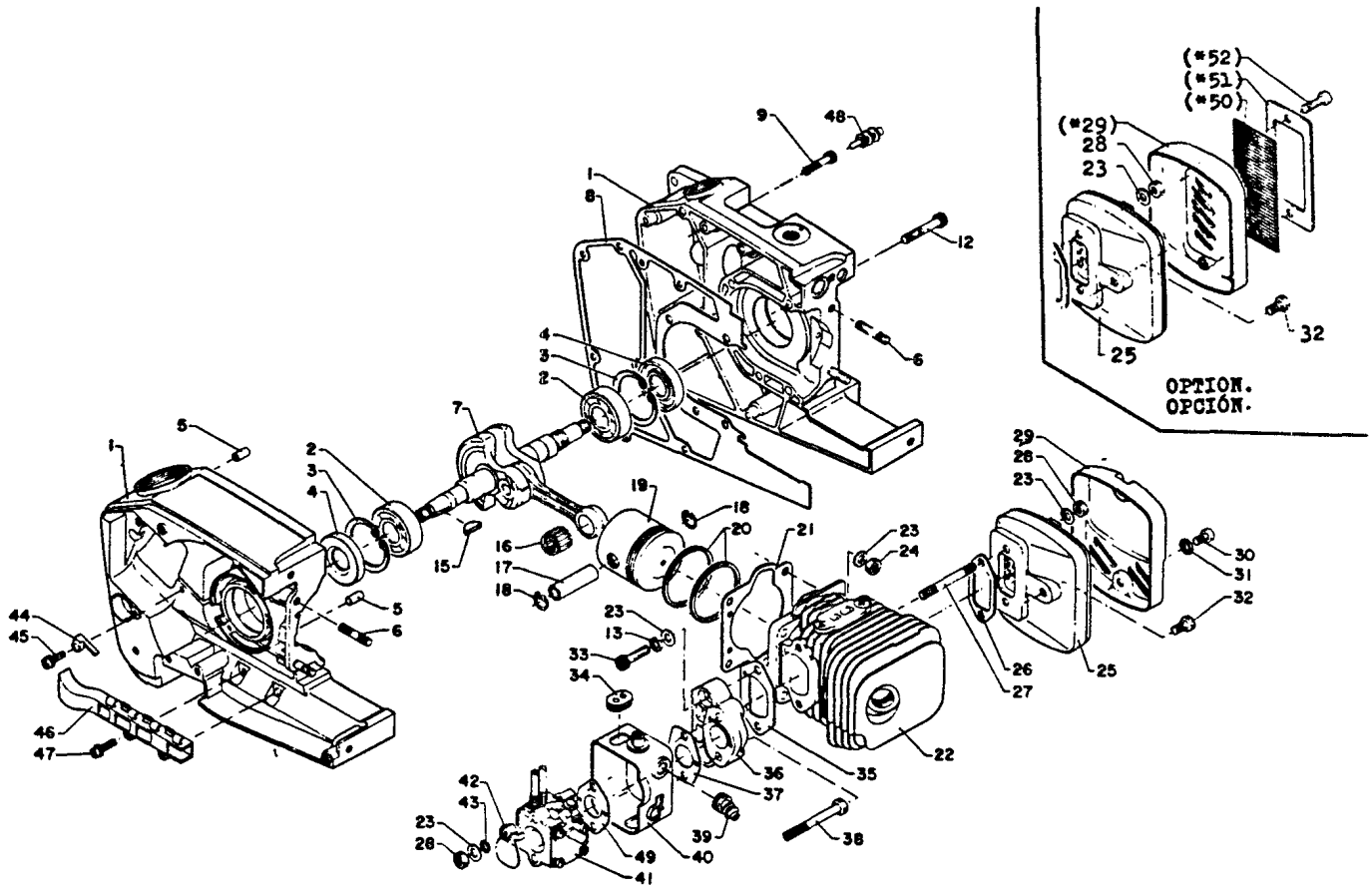
ITEM	PART NUMBER	QTY	DESCRIPTION	REMARKS
	15600010131	1	Magneto ass'y	
1	10026203430	1	Stud bolt, (L)	
2	10025703430	1	Stud bolt, (S)	
3	15613210131	1	Stator plate	
4	15613410130	1	Oiler	
5	15612710130	1	Condenser	
6	90060500004	2	LOCKWASHER	
7	90050000004	2	Nut	
8	15610110131	1	Contact point	
9	90024204008	1	SCREW 4X8	
10	15611410130	1	Rubber bush (B)	
11	15411203432	1	Breaker cover	
12	90024203018	2	SCREW 3X18	
13	15612610130	1	Ignition coil	
14	90024205020	2	SCREW 5X20	
15	15620010130	1	Flywheel	
16	90061100008	1	Lock washer (TWB-8)	
17	90050000008	1	Nut	
18	15901000330	1	SPARK PLUG -- BM-6A	
19	15901103432	1	TERMINAL, SPARK PLUG	
20	15901203433	1	CAP, SPARK PLUG	
22	15411003430	1	Rubber bush	
23	15411103430	1	Rubber bush	
25	17723402831	2	Ratchet spring	
26	90060000005	4	WASHER	
27	17721802830	2	Ratchet	
28	17721703430	2	Ratchet spacer	
29	90010005018	2	BOLT 5X18	
30	90024104010	2	SCREW 4X10	
31	17722602830	1	Starter rope	
32	17724602832	1	Starter clip	
33	90016205014	1	SCREW 5X14	
35	17721402830	1	WASHER	
36	17724302833	1	Pawl catcher	
37	17721502834	1	Recoil drum	
38	17721602832	1	Bushing	
39	17724203430	1	Side plate (B)	
40	17722002834	1	SPRING, REWIND	
41	17722102830	1	PLATE, STARTER	
42	13032003431	1	Carburetor cover packing	
43	17881003430	1	Rubber bushing	
44	17850103431	1	Choke rod	
45	17800703430	1	Idling set screw	
46	17821203430	1	Grommet	
49	17722812330	1	Starter grip	
50	17722700230	1	Rope guide	
51	10150710130	1	Fan cover	
53	90016205020	4	SCREW 5X20	
54	10061610130	1	Dust filter	
55	90024204012	3	SCREW 4X12	
56	13031303430	1	COVER, AIR CLEANER	
57	13040610230	1	Thumb bolt	
58	13030503430	1	Air cleaner	
59	90070000004	1	E-ring	
60	13040503430	1	Cleaner set plate	
61	90024204008	2	SCREW 4X8	

<u>ITEM</u>	<u>PART NUMBER</u>	<u>QTY</u>	<u>DESCRIPTION</u>	<u>REMARKS</u>
	17720010130	1	Starter ass'y	
62	17722914330	1	Spacer	

This Page Intentionally Left Blank



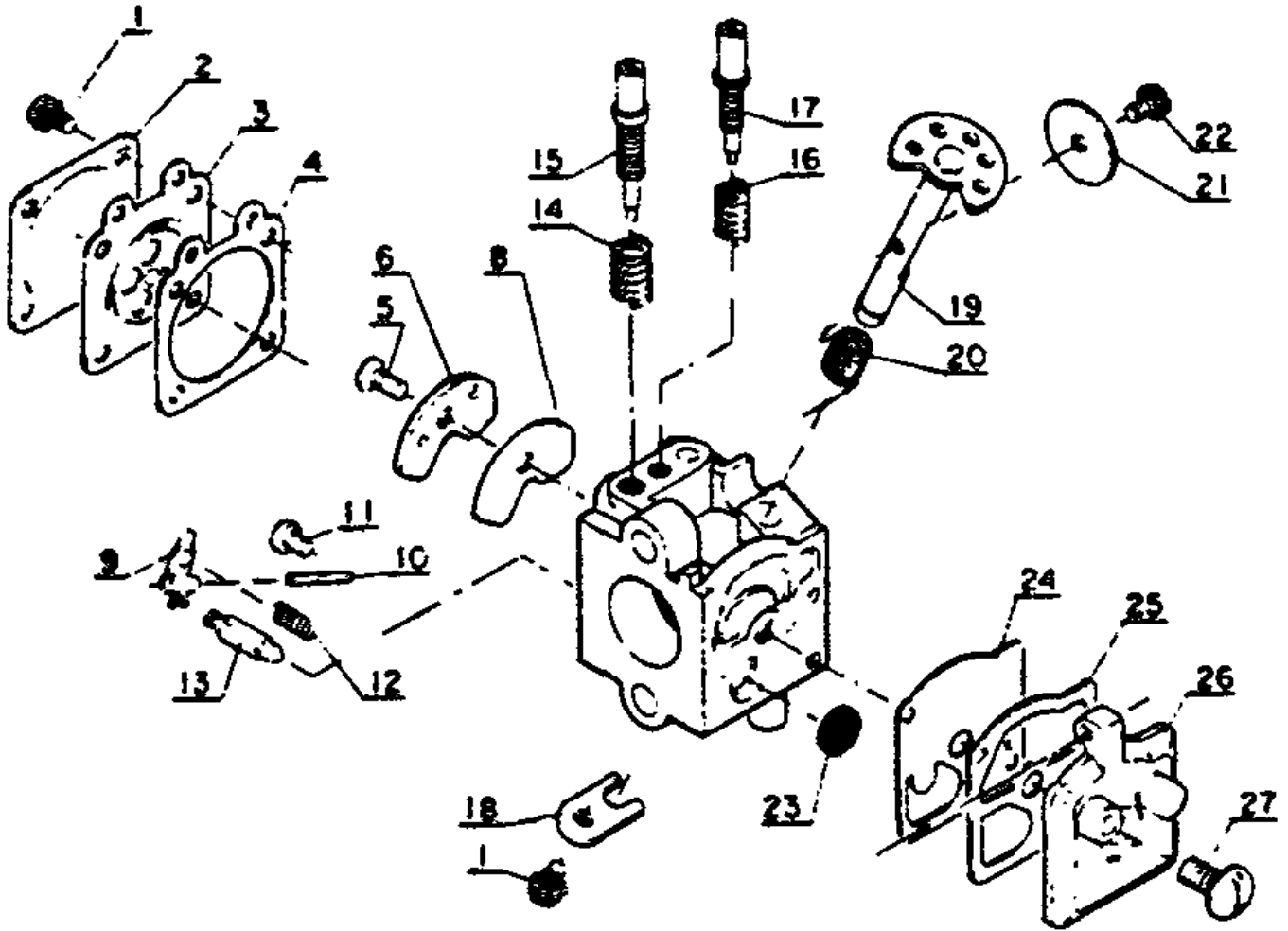
ITEM	PART NUMBER	QTY	DESCRIPTION	REMARKS
1	13100103431	1	Fuel tank cap ass'y	Comprising Ref No. 2-7
2	13103103430	1	Spacer	
3	13131400330	1	Check valve	
4	13101503430	1	Check valve holder	
5	13103003930	1	Suppoter, tank cap spacer	
6	13103503431	1	Filter	
7	13103203930	1	Clip	
8	90072000029	1	O-ring (P-29)	
9	43600003930	1	CAP ASY	
10	90072000016	1	O-ring	
11	90022005014	1	SCREW 5X14	
12	43703903430	1	Dial	
13	43700203431	1	Cylinder & Plunger	
14	43702002830	3	O-ring (S-5)	
15	43701902830	1	Auto oiler spring	
16	43703603430	1	Flat spring	
17	90033015098	1	Needle roller	
18	43620502832	1	Oil strainer	
19	13201003930	1	PIPE, OIL	
20	90024204010	1	SCREW 4X10	
21	43723210130	1	Washer	
22	43721210130	1	CONNECTOR, PIPE	ITEM IS NO LONGER AVAILABLE
23	90072000009	1	O-ring (P-9)	
24	90072000008	1	O-ring (P-8)	
25	43701200330	3	VALVE, BALL	
26	43701300330	3	Valve spring	
27	43712203430	2	O RING	
28	43712110130	2	ADAPTER, OIL PUMP	
30	90072000006	1	O-ring (P-6)	
31	70701510230	1	Pump piston	
32	70702203431	1	Spring retainer	
33	43711103431	1	Pump spring	
34	70700010130	1	Pump rod	
35	13120005230	1	Fuel strainer	
36	90060000006	1	Washer	
37	43721010631	1	PIPE, FUEL - INNER	ITEM IS NO LONGER AVAILABLE
38	90072000012	1	O-ring (P-12)	
39	13201102832	1	CONNECTOR, PIPE	
40	90024204014	1	SCREW 4X14	
41	13201210131	1	PIPE, FUEL - OUTER	



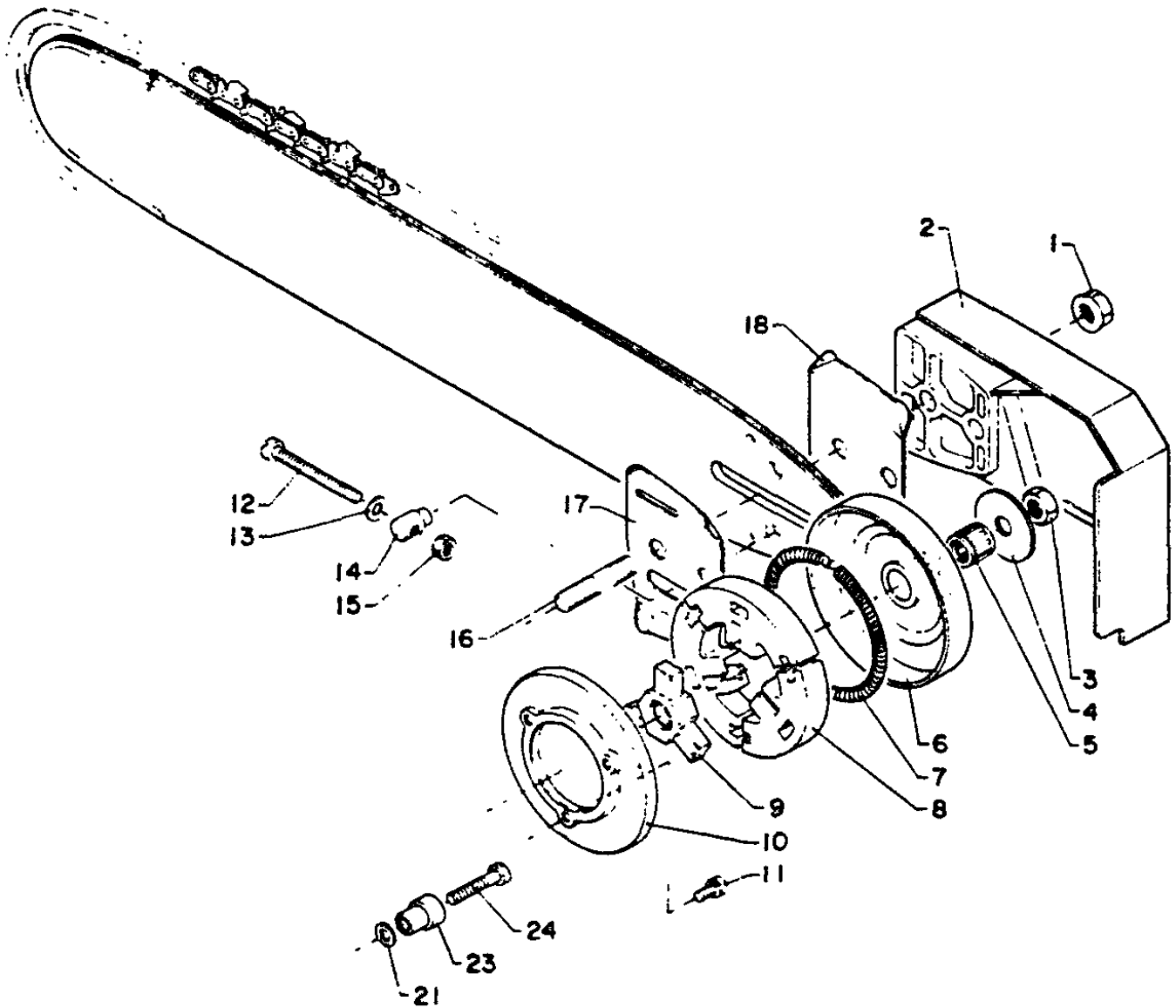
ITEM	PART NUMBER	QTY	DESCRIPTION	REMARKS
1	10020010131	1	Crankcase set	
2	90081006202	2	Ball bearing	
3	90070200035	2	Circlip (CR-35)	
4	10021302830	2	Oilseal (ISM 15356)	
5	10021502830	2	DOWEL PIN	
6	10021400830	4	Cylinder stud	
7	10010003430	1	Crankshaft	
8	10024210130	1	Crankcase packing	
9	90016204020	8	SCREW 4X20	
12	90016205030	4	SCREW 5X30	
13	90060500005		Spring Washer 5	
15	10014200310	1	Key (M)	
16	10001212330	1	Roller bearing	
17	10001303430	1	Piston pin	
18	10001500120	2	End ring	
19	10001010130	1	Piston	
20	10001103430	2	Piston ring	
21	10101003430	1	Cylinder packing	
22	10100010130	1	Cylinder (ass'y)	
23	90060000005	4	WASHER	
24	90050000005	4	NUT	
25	14560503432	1	Muffler (ass'y)	
26	14551003430	1	Muffler gasket	
27	10102503430	2	Muffler stud	
28	43302000830	4	Lock nut	
29	14561303431	1	Muffler lid	
30	90022005016	2	SCREW 5X16	
31	90061000005	2	Washer (TWA-5)	
32	90010005010	1	BOLT 5X10	
33	90010505020	2	SCREW 5X20	
34	12901003430	1	Grommet	
35	13001003431	1	Carburetor packing (A)	
36	13000503434	1	Carburetor bed	
37	13001603430	1	Carburetor packing (B)	
38	13002103430	2	Carburetor bolt	
39	17821003430	1	Rubber bush	
40	13030603431	1	Carburetor case	
41	12300010130	1	Carburetor	
42	17851503430	1	Choke shutter	
43	17851600830	1	Washer	
44	15911210130	1	Clip	
45	90024204010	1	SCREW 4X10	
46	15910510130	1	Cord guide	
47	90024204014	1	SCREW 4X14	
48	10027810130	4	Dust proof plug	
49	13002210130	1	Carburetor packing (C)	
29	14586103430	1	Muffler lid ¹	
50	14586203431	1	Spark arresting screen ¹	
51	14586303431	1	Screen retainer ¹	
52	90022005016	2	SCREW 5X16 ¹	

Footnotes

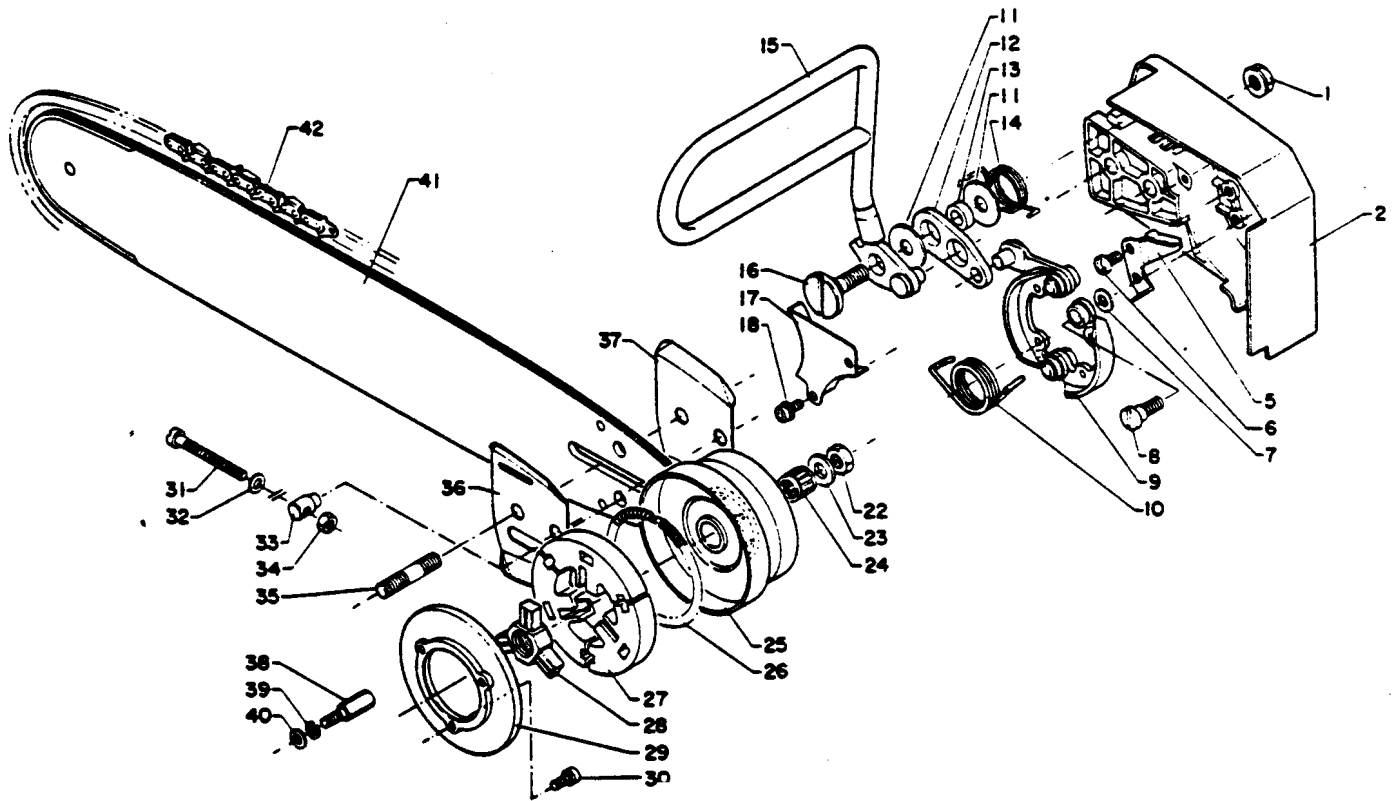
1: Spark arresting parts (Option)



ITEM	PART NUMBER	QTY	DESCRIPTION	REMARKS
	12300010130	1	Carburetor ass'y	
1	12314403930	5	Screw	
2	12314203930	1	Metering diaphragm cover	
3	12314103930	1	Metering diaphragm	
4	12314003930	1	Metering diaphragm gasket	
5	12316705230	1	Circuit plate screw	
6	12316610530	1	Circuit plate	
8	12316410530	1	Circuit plate gasket	
9	12312303930	1	Metering lever	
10	12313803930	1	PIN, METERING LEVER	
11	12313903930	1	SCREW	
12	12312206530	1	Metering lever spring	
13	12313703930	1	Inlet needle valve	
14	12311903930	1	H.S. adjust spring	
15	12312010130	1	High speed needle	
16	12312103930	1	Idle needle adjust spring	
17	12311810130	1	Idle needle	
18	12312703930	1	Throttle shaft clip	
19	12311710130	1	Throttle shaft	
20	12311310130	1	Throttle return spring	
21	12311610130	1	Throttle valve	
22	12311403930	1	SCREW	
23	12312603930	1	Inlet screen	
24	12311203930	1	Pump diaphragm	
25	12312503930	1	Pump gasket	
26	12312410130	1	Pump cover	
27	12311003930	1	Pump cover screw	



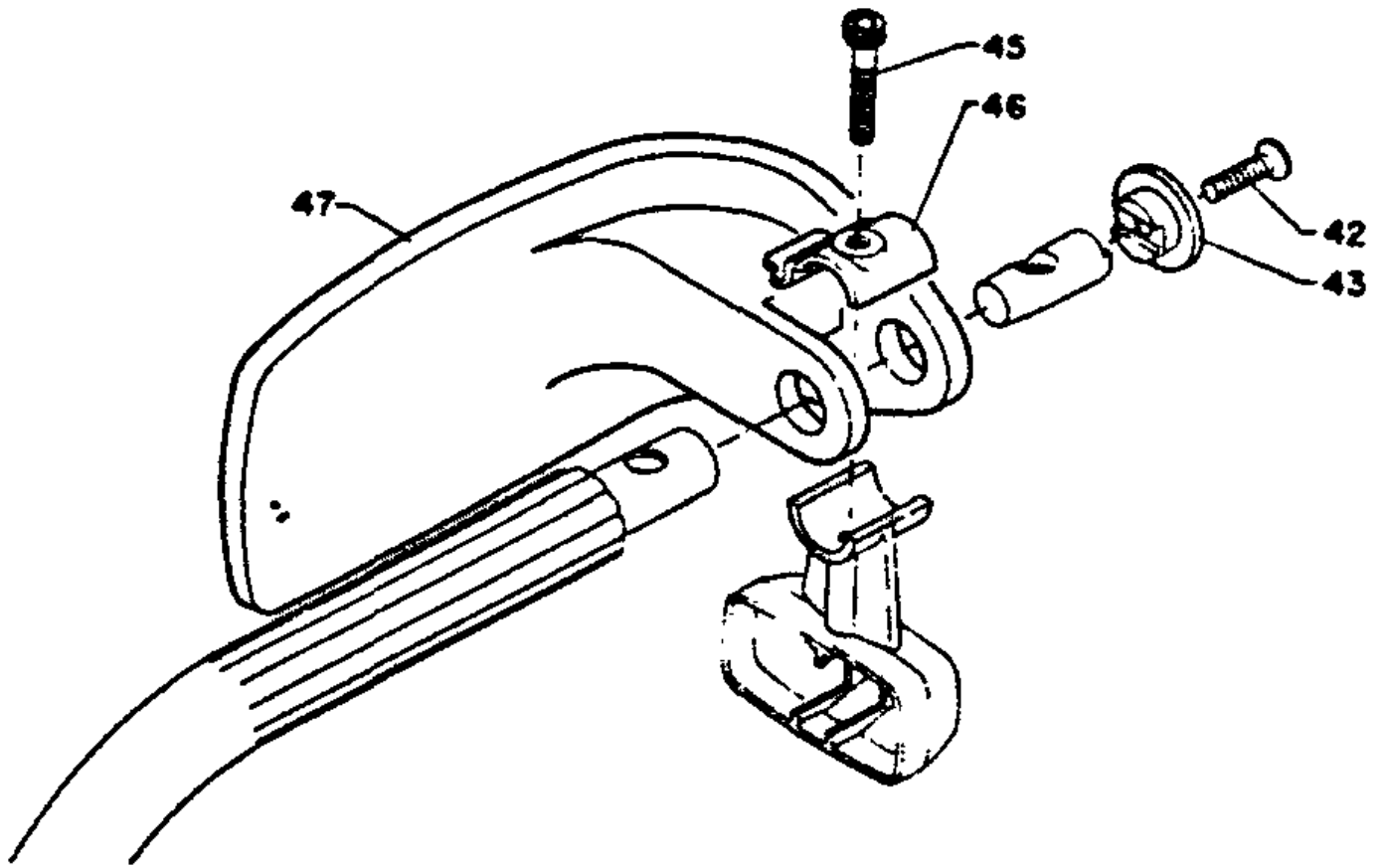
ITEM	PART NUMBER	QTY	DESCRIPTION	REMARKS
1	43301912330	2	FLANGE NUT	
2	43301003431	1	Guide bar cover	
3	10012903430	1	Locknut (L-h)	
4	17501503430	1	Clutch washer	
5	10001212330	1	Roller bearing	
6	17500511030	1	Clutch case	
7	17501802831	1	Clutch spring	
8	17501702830	3	Clutch shoe	
9	17501603430	1	Clutch boss	
10	10061803431	1	Dust seal plate	
11	90022004010	3	SCREW 4X10	
12	43301602830	1	Adjusting screw	
13	10024702830	1	Washer	
14	43301402830	1	TENSIONER	
15	43302202830	1	Lock nut (5mm)	
16	43301100330	2	Stud bolt	S/N 001001 - 0153710
16	43301112330	2	Stud bolt	S/N 0153711 & up
17	43301312331	1	Side plate (inner)	
18	43301212331	1	Side plate (outer)	
21	90060000005	1	WASHER	
23	43300612830	1	Chain catcher	
24	90022005025	1	SCREW 5X25	



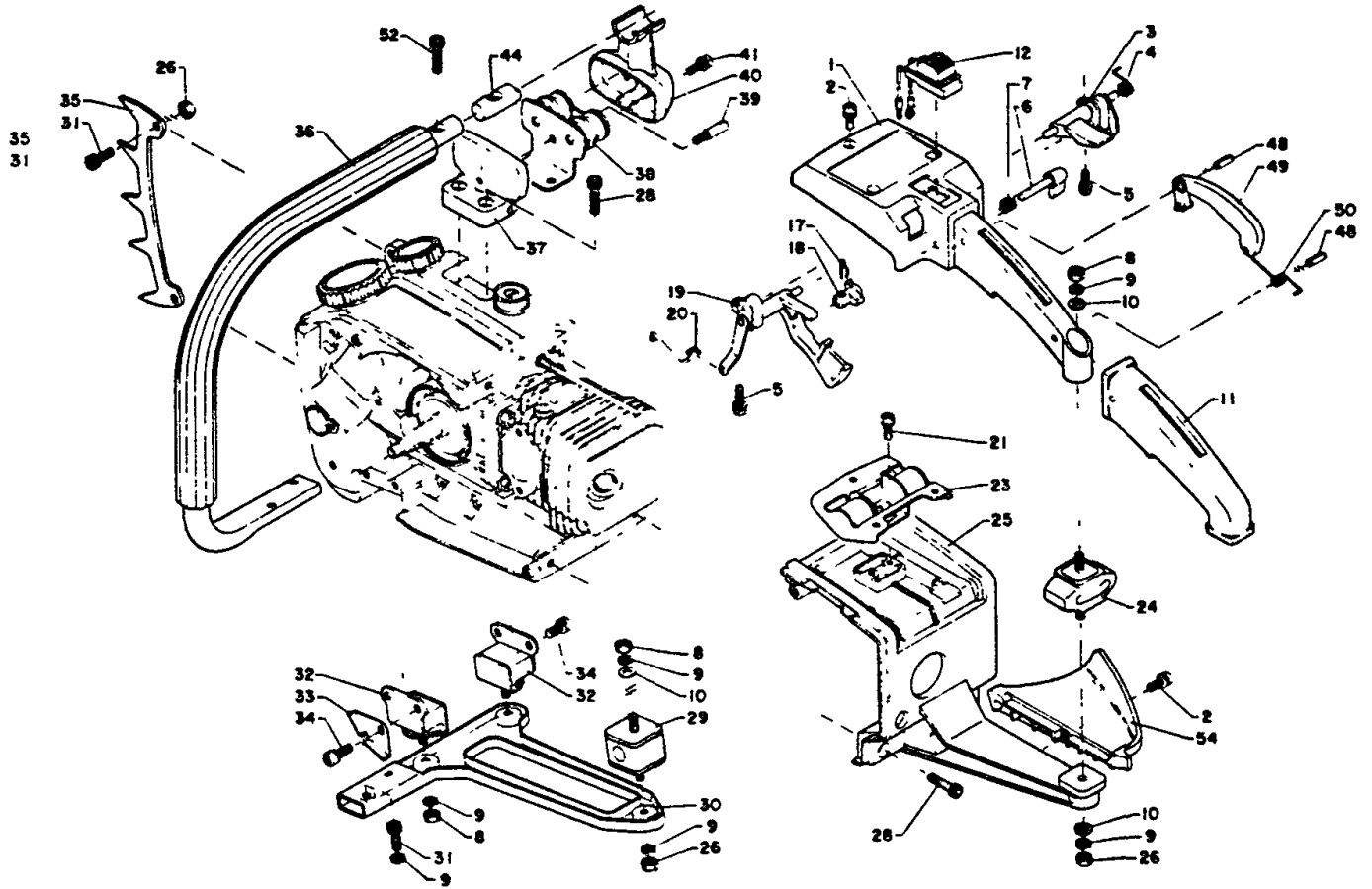
ITEM	PART NUMBER	QTY	DESCRIPTION	REMARKS
--	43310010130	1	CHAIN BRAKE ASY	
1	43301900330	2	FLANGE NUT	
2	43311010130	1	COVER, CHAIN BRAKE	
5	43313103930	1	GUIDE, BRAKE SHOE	
6	90022005008	2	SCREW	
7	90060000006	1	WASHER	
8	43313003930	1	SCREW	
9	43310110130	1	SHOE, BRAKE	
10	43312203930	1	SPRING	
11	43311503930	2	WASHER	
12	43311703930	1	CONNECTOR, BRAKE	
13	43311603930	1	SPACER	
14	43311403930	1	SPRING	
15	43310510130	1	HANDLE, BRAKE	
16	43311303930	1	SCREW	
17	43331010130	1	SEAL, DUST	
18	90024204010	2	SCREW	
22	10012903430	1	LOCKNUT - LEFT HAND	
23	17521410130	1	WASHER	
24	10001200310	1	BEARING, NEEDLE	
--	17500003430	1	CLUTCH ASY	
25	17520510130	1	DRUM, CLUTCH	
26	17501802831	1	SPRING	
27	17501702830	3	CLUTCH SHOE SET ¹	
28	17501603430	1	HUB, CLUTCH	
29	10061803431	1	SEAL, DUST	
30	90022004010	3	SCREW 4X10	
31	43301602830	1	SCREW, ADJUST	
32	10024702830	1	WASHER	
33	43301402830	1	TENSIONER	
34	43302202830	1	LOCKNUT	
35	43301100330	2	STUD, GUIDE BAR	
36	43301302830	1	PLATE, GUIDE - INNER	
37	43301202830	1	PLATE, GUIDE - OUTER	
38	43302611030	1	CATCHER, CHAIN	
39	90060500005	1	LOCKWASHER	
40	90060000005	1	WASHER	
41	43021100230	1	GUIDE BAR - 16K50	
41	43021110130	1	GUIDE BAR - 40M50	
42	43101100230	1	SAWING CHAIN -- 72D-59E	
42	43101110130	1	SAWING CHAIN -- 72LP-60E	

Footnotes

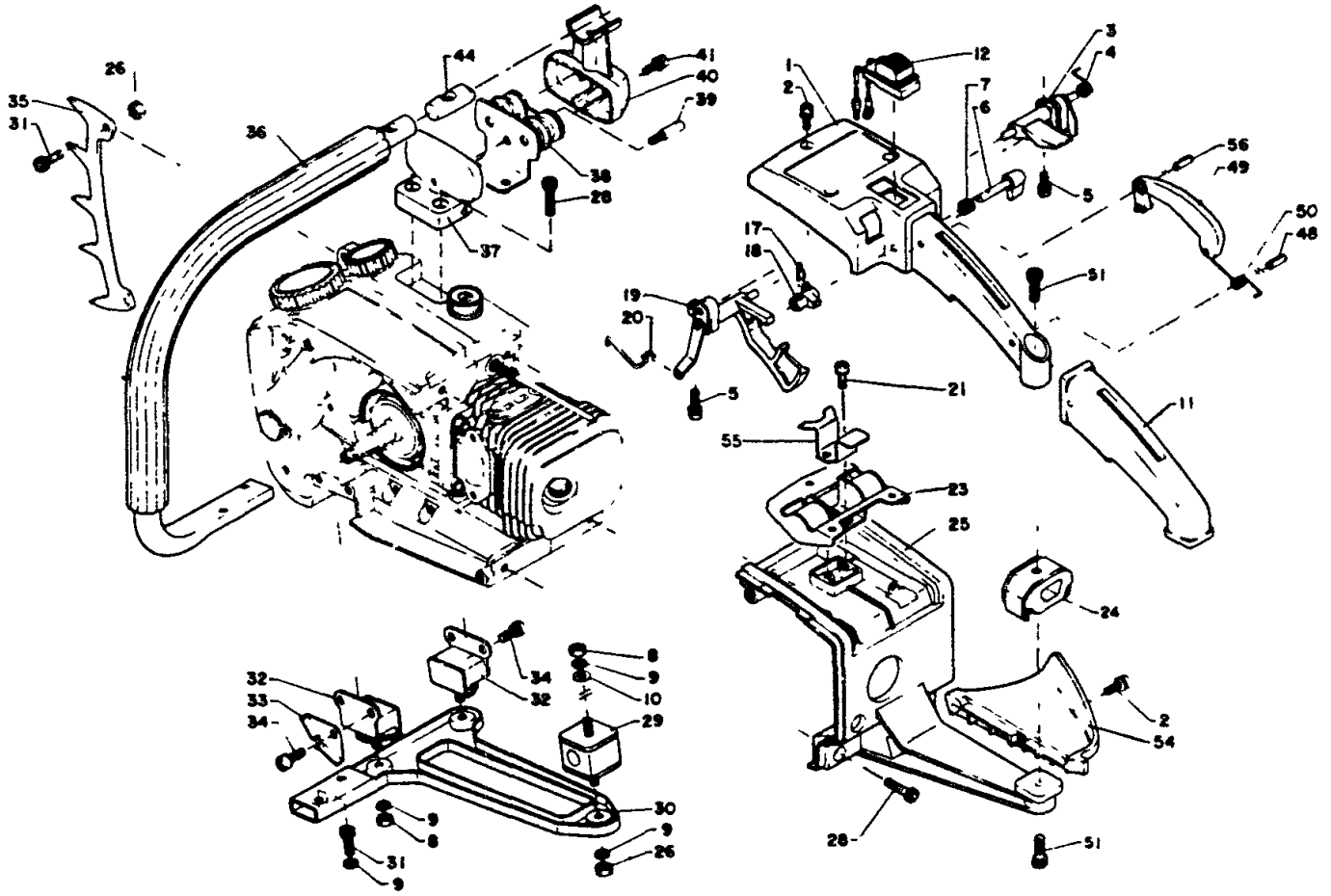
1: Inclues 3 Pieces



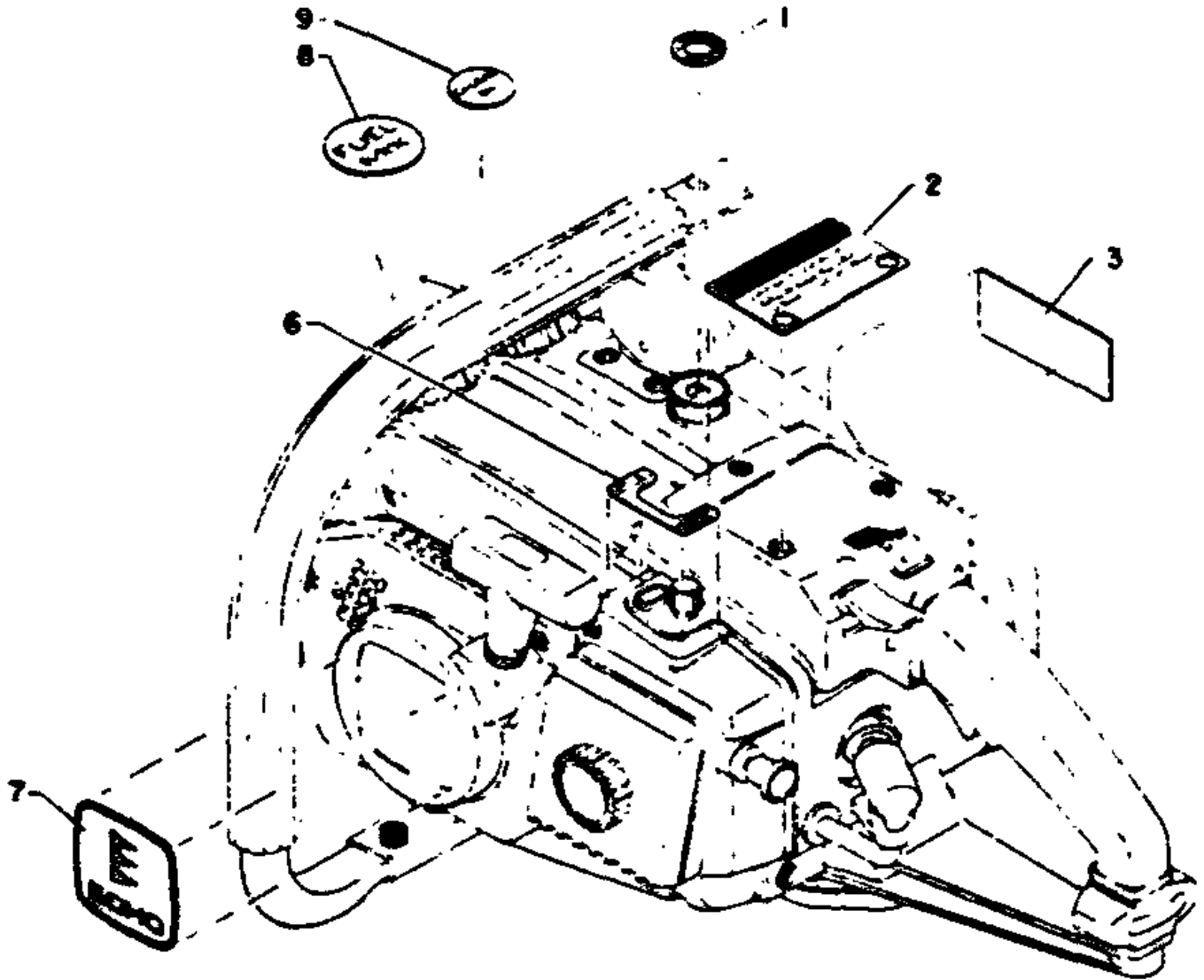
<u>ITEM</u>	<u>PART NUMBER</u>	<u>QTY</u>	<u>DESCRIPTION</u>	<u>REMARKS</u>
42	90021405020	1	SCREW 5X20	
43	35183310130	1	Hand guard holder	
45	90016205030	1	SCREW 5X30	
46	35183410130	1	Hand guard stopper	
47	35182610130	1	Hand guard	



ITEM	PART NUMBER	QTY	DESCRIPTION	REMARKS
1	35111011030	1	Right handle	
2	90024204014	3	SCREW 4X14	
3	70700503430	1	Push lever	
4	70701703430	1	Spring, push lever	
5	90024204014	2	SCREW 4X14	
6	17800803430	1	Lock lever	
7	17801303430	1	Throttle spring	
8	90050000005	1	NUT	
9	90060500005		Spring Washer 5	
10	90060000005	2	WASHER	
11	35111111030	1	Right handle rubber	
12	16340012330	1	Stop switch	
17	17804510630	1	Lock pin	
18	17801211030	1	Throttle lock	
19	17800511030	1	Throttle trigger	
20	17801103430	1	Throttle connecting rod	
21	90024105012	1	SCREW 5X12	
22	16201003431	1	Earth cord	
23	35110510130	1	Cushion rubber (F-L)	
24	35110703430	1	Cushion rubber (R-L)	
25	10151410130	1	Cylinder cover	
26	43302202830	2	Lock nut	
28	90016205020	6	SCREW 5X20	
29	35160903430	1	Cushion rubber (L-L)	
30	35161303431	1	Left handle supporter (L)	
31	90010505012	2	SCREW 5X12	
32	35160703430	2	Cushion rubber (L-L)	
33	10027610130	1	Wind proof plate	
34	90024105012	4	SCREW 5X12	
35	88021003430	1	Spike bumper	
36	35160610131	1	Left handle	
37	35163110130	1	Cushion rubber holder	
38	35160510130	1	Cushion rubber (L-U)	
39	35163710130	1	Stopper	
40	35161410130	1	Left handle supporter	
41	90024204010	2	SCREW 4X10	
44	3516171053	1	Handle spacer	
48	90034040013	2	Spring pin	
49	17809011031	1	Safety lock	
50	17809110531	1	Safety lock spring	
52	90016205025	1	SCREW 5X25	
54	35113310130	1	Hand guard	



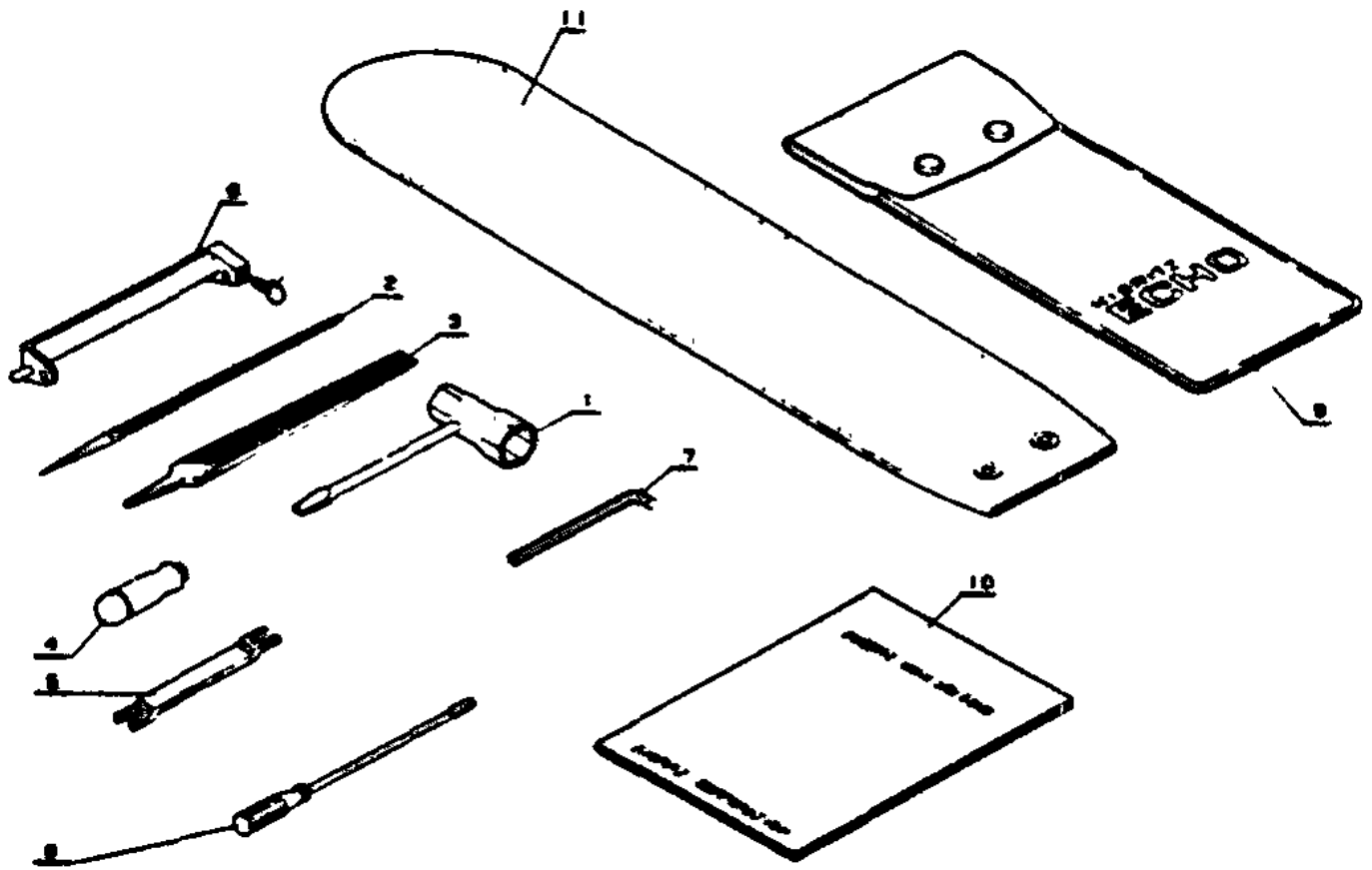
ITEM	PART NUMBER	QTY	DESCRIPTION	REMARKS
1	35111010130	1	Rear handle	
2	90024204014	3	SCREW 4X14	
3	70700510130	1	Push lever	
4	70701703430	1	Spring, push lever	
5	90024204014	2	SCREW 4X14	
6	17800803430	1	Lock lever	
7	17801303430	1	Throttle spring	
8	90050000005	1	NUT	
9	90060500005	6	Spring washer 5	
10	90060000005	2	WASHER	
11	35111110130	1	Grip	
12	16340012330	1	Stop switch	
17	17804510630	1	Lock pin	
18	17801211030	1	Throttle latch	
19	17830610130	1	Throttle trigger	
20	17801103430	1	Throttle connecting rod	
21	90024105012	1	SCREW 5X12	
23	35110510130	1	Cushion (F-L)	
24	35110710130	1	Cushion (R-L)	
25	10151410130	1	Cylinder cover	
26	43302202830	2	Lock nut	
28	90016205020	6	SCREW 5X20	
29	35160903430	1	Cushion (L-L)	
30	35161303431	1	Supporter (L)	
31	90010505012	2	SCREW 5X12	
32	35160703430	2	Cushion (L-L)	
33	10027610130	1	Wind proof plate	
34	90024105012	4	SCREW 5X12	
35	88021003430	1	Spike	
36	35150910130	1	Front handle	
37	35163110130	1	Holder	
38	35160510130	1	Cushion (L-U)	
39	35163710130	1	Stopper	
40	35161410130	1	Supporter	
41	90024204010	2	SCREW 4X10	
44	35161710531	1	Handle spacer	
48	90034040013	1	Spring pin	
49	17809012730	1	Throttle control lockout	
50	17809110130	1	Spring	
51	90016205014	2	SCREW 5X14	
54	35113310130	1	Hand guard, rear	
55	35112610130	1	Stopper, cushion	
56	90034040016	1	Spring pin	



CS452VL Chain Saw

Labels

ITEM	PART NUMBER	QTY	DESCRIPTION	REMARKS
1	89002203430	1	Oil label	
2	89015110130	1	Caution label	
3	89002103931	1	"ECHO" Name plate	
6	89004103430	1	Fuel adjust label	
7	89001210132	1	Name plate	
8	89014710230	1	Fuel label	
9	89015303930	1	Oil label	



ITEM	PART NUMBER	QTY	DESCRIPTION	REMARKS
	89600010130	1	Tool set	
1	89541002830	1	Wrench 13x19	Standard Tool Supplied With Chain Saw
2	89751000230	1	Round file	Optional Part, To Be Supplied On Special Order
3	89751100230	1	Flat file	Optional Part, To Be Supplied On Special Order
4	89751200230	1	File grip	Optional Part, To Be Supplied On Special Order
5	89751400231	1	Depth gauge	Optional Part, To Be Supplied On Special Order
6	89760000330	1	File holder	Optional Part, To Be Supplied On Special Order
7	89561000130	1	HEX KEY - 4mm	Standard Tool Supplied With Chain Saw
8	89581100130	1	SCREWDRIVER - 125mm SLOT	Standard Tool Supplied With Chain Saw
9	89851002830	1	Tool bag	Standard Tool Supplied With Chain Saw
10			Instruction manual	Standard Tool Supplied With Chain Saw
11	89851310130	1	Chain cover	Optional Part, To Be Supplied On Special Order



Part Number Index

Click The Page Number After Any Part Number To View The Diagram Containing That Part.

Part Number	Page	Part Number	Page	Part Number	Page	Part Number	Page
.....	27	131314003309	3511101013023	8802100343021, 23
1000101013011	132010039309	3511101103021	8900121013225
1000110343011	132011028329	3511111013023	8900210393125
1000120031017	132012101319	3511111103021	8900220343025
1000121233011, 15	1455100343011	3511261013023	8900410343025
1000130343011	1456050343211	3511331013021, 23	8901471023025
1000150012011	1456130343111	3515091013023	8901511013025
1001000343011	1458610343011	3516051013021, 23	8901530393025
1001290343015, 17	1458620343111	3516061013121	8954100283027
1001420031011	1458630343111	3516070343021, 23	8956100013027
1002001013111	154110034305	3516090343021, 23	8958110013027
1002130283011	154111034305	3516130343121, 23	8960001013027
1002140083011	154112034325	3516141013021, 23	8975100023027
1002150283011	156000101315	351617105321	8975110023027
1002421013011	156101101315	3516171053123	8975120023027
1002470283015, 17	156114101305	3516311013021, 23	8975140023127
100257034305	156126101305	3516371013021, 23	8976000033027
100262034305	156127101305	3518261013019	8985100283027
1002761013021, 23	156132101315	3518331013019	8985131013027
1002781013011	156134101305	3518341013019	9001000501011
100616101305	156200101305	4302110023017	900100050185
1006180343115, 17	159010003305	4302111013017	9001050501221, 23
10100001013011	159011034325	4310110023017	9001050502011
1010100343011	159012034335	4310111013017	9001620402011
1010250343011	1591051013011	4330061283015	900162050145, 23
101507101305	1591121013011	4330100343115	900162050205, 21, 23
1015141013021, 23	1620100343121	4330110033015, 17	9001620502521
1230001013011, 13	1634001233021, 23	4330111233015	9001620503011, 19
1231100393013	1750000343017	4330120283017	9002140502019
1231120393013	1750051103015	4330121233115	9002200401015, 17
1231131013013	1750150343015	4330130283017	9002200500817
1231140393013	1750160343015, 17	4330131233115	900220050149
1231161013013	1750170283015, 17	4330140283015, 17	9002200501611
1231171013013	1750180283115, 17	4330160283015, 17	9002200502515
1231181013013	1752051013017	4330190033017	900241040105
1231190393013	1752141013017	4330191233015	9002410501221, 23
1231201013013	177200101306	4330200083011	900242030185
1231210393013	177214028305	4330220283015, 17, 21, 23	900242040085
1231220653013	177215028345	4330261103017	900242040109, 11, 17, 21, 23
1231230393013	177216028325	4331001013017	900242040125
1231241013013	177217034305	4331011013017	900242040149, 11, 21, 23
1231250393013	177218028305	4331051013017	900242050205
1231260393013	177220028345	4331101013017	900330150989
1231270393013	177221028305	4331130393017	9003404001321, 23
1231370393013	177226028305	4331140393017	9003404001623
1231380393013	177227002305	4331150393017	900500000045
1231390393013	177228123305	4331160393017	9005000000511, 21, 23
1231400393013	177229143306	4331170393017	900500000085
1231410393013	177234028315	4331220393017	900600000055, 11, 15, 17, 21, 23
1231420393013	177242034305	4331300393017		
1231440393013	177243028335	4331310393017	900600000069, 17
1231641053013	177246028325	4333101013017	900605000045
1231661053013	1780051103021	436000039309	9006050000511, 17, 21, 23
1231670523013	178007034305	436205028329	9006100000511
1290100343011	1780080343021, 23	437002034319	900611000085
1300050343411	1780110343021, 23	437012003309	900700000045
1300100343111	1780121103021, 23	437013003309	9007020003511
1300160343011	1780130343021, 23	437019028309	900720000069
1300210343011	1780451063021, 23	437020028309	900720000089
1300221013011	1780901103121	437036034309	900720000099
130305034305	1780901273023	437039034309	900720000129
1303060343111	1780911013023	437111034319	900720000169
130313034305	1780911053121	437121101309	900720000299
130320034315	1782100343011	437122034309	9008100620211
130405034305	178212034305	437210106319		
130406102305	1783061013023	437212101309		
131001034319	178501034315	437232101309		
131015034309	1785150343011	707000101309		
131030039309	1785160083011	7070050343021		
131031034309	178810034305	7070051013023		
131032039309	3511051013021, 23	707015102309		
131035034319	3511070343021	7070170343021, 23		
131200052309	3511071013023	707022034319		



Part Description Index

Click The Page Number After Any Part Description To View The Diagram Containing That Part.

<p>"</p> <p>"ECHO" Name plate.....25</p> <p>A</p> <p>ADAPTER, OIL PUMP.....9</p> <p>Adjusting screw.....15</p> <p>Air cleaner.....5</p> <p>Auto oiler spring.....9</p> <p>B</p> <p>Ball bearing.....11</p> <p>BEARING, NEEDLE.....17</p> <p>BOLT 5X10.....11</p> <p>BOLT 5X18.....5</p> <p>Breaker cover.....5</p> <p>Bushing.....5</p> <p>C</p> <p>CAP ASY.....9</p> <p>CAP, SPARK PLUG.....5</p> <p>Carburetor.....11</p> <p>Carburetor ass'y.....13</p> <p>Carburetor bed.....11</p> <p>Carburetor bolt.....11</p> <p>Carburetor case.....11</p> <p>Carburetor cover packing.....5</p> <p>Carburetor packing (A).....11</p> <p>Carburetor packing (B).....11</p> <p>Carburetor packing (C).....11</p> <p>CATCHER, CHAIN.....17</p> <p>Caution label.....25</p> <p>CHAIN BRAKE ASY.....17</p> <p>Chain catcher.....15</p> <p>Chain cover.....27</p> <p>Check valve.....9</p> <p>Check valve holder.....9</p> <p>Choke rod.....5</p> <p>Choke shutter.....11</p> <p>Circlip (CR-35).....11</p> <p>Circuit plate.....13</p> <p>Circuit plate gasket.....13</p> <p>Circuit plate screw.....13</p> <p>Cleaner set plate.....5</p> <p>Clip.....9, 11</p> <p>CLUTCH ASY.....17</p> <p>Clutch boss.....15</p> <p>Clutch case.....15</p> <p>Clutch shoe.....15</p> <p>CLUTCH SHOE SET.....17</p> <p>Clutch spring.....15</p> <p>Clutch washer.....15</p> <p>Condenser.....5</p> <p>CONNECTOR, BRAKE.....17</p> <p>CONNECTOR, PIPE.....9</p> <p>Contact point.....5</p> <p>Cord guide.....11</p> <p>COVER, AIR CLEANER.....5</p> <p>COVER, CHAIN BRAKE.....17</p> <p>Crankcase packing.....11</p> <p>Crankcase set.....11</p> <p>Crankshaft.....11</p> <p>Cushion (F-L).....23</p> <p>Cushion (L-L).....23</p>	<p>Cushion (L-U).....23</p> <p>Cushion (R-L).....23</p> <p>Cushion rubber (F-L).....21</p> <p>Cushion rubber (L-L).....21</p> <p>Cushion rubber (L-U).....21</p> <p>Cushion rubber (R-L).....21</p> <p>Cushion rubber holder.....21</p> <p>Cylinder & Plunger.....9</p> <p>Cylinder (ass'y).....11</p> <p>Cylinder cover.....21, 23</p> <p>Cylinder packing.....11</p> <p>Cylinder stud.....11</p> <p>D</p> <p>Depth gauge.....27</p> <p>Dial.....9</p> <p>DOWEL PIN.....11</p> <p>DRUM, CLUTCH.....17</p> <p>Dust filter.....5</p> <p>Dust proof plug.....11</p> <p>Dust seal plate.....15</p> <p>E</p> <p>Earth cord.....21</p> <p>End ring.....11</p> <p>E-ring.....5</p> <p>F</p> <p>Fan cover.....5</p> <p>File grip.....27</p> <p>File holder.....27</p> <p>Filter.....9</p> <p>FLANGE NUT.....15, 17</p> <p>Flat file.....27</p> <p>Flat spring.....9</p> <p>Flywheel.....5</p> <p>Front handle.....23</p> <p>Fuel adjust label.....25</p> <p>Fuel label.....25</p> <p>Fuel strainer.....9</p> <p>Fuel tank cap ass'y.....9</p> <p>G</p> <p>Grip.....23</p> <p>Grommet.....5, 11</p> <p>GUIDE BAR - 16K50.....17</p> <p>GUIDE BAR - 40M50.....17</p> <p>Guide bar cover.....15</p> <p>GUIDE, BRAKE SHOE.....17</p> <p>H</p> <p>H.S. adjust spring.....13</p> <p>Hand guard.....19, 21</p> <p>Hand guard holder.....19</p> <p>Hand guard stopper.....19</p> <p>Hand guard, rear.....23</p> <p>Handle spacer.....21, 23</p> <p>HANDLE, BRAKE.....17</p> <p>HEX KEY - 4mm.....27</p> <p>High speed needle.....13</p> <p>Holder.....23</p> <p>HUB, CLUTCH.....17</p>	<p>I</p> <p>Idle needle.....13</p> <p>Idle needle adjust spring.....13</p> <p>Idling set screw.....5</p> <p>Ignition coil.....5</p> <p>Inlet needle valve.....13</p> <p>Inlet screen.....13</p> <p>Instruction manual.....27</p> <p>K</p> <p>Key (M).....11</p> <p>L</p> <p>Left handle.....21</p> <p>Left handle supporter.....21</p> <p>Left handle supporter (L).....21</p> <p>Lock lever.....21, 23</p> <p>Lock nut.....11, 21, 23</p> <p>Lock nut (5mm).....15</p> <p>Lock pin.....21, 23</p> <p>Lock washer (TWB-8).....5</p> <p>LOCKNUT.....17</p> <p>LOCKNUT - LEFT HAND.....17</p> <p>Locknut (L-h).....15</p> <p>LOCKWASHER.....5, 17</p> <p>M</p> <p>Magneto ass'y.....5</p> <p>Metering diaphragm.....13</p> <p>Metering diaphragm cover.....13</p> <p>Metering diaphragm gasket.....13</p> <p>Metering lever.....13</p> <p>Metering lever spring.....13</p> <p>Muffler (ass'y).....11</p> <p>Muffler gasket.....11</p> <p>Muffler lid.....11</p> <p>Muffler stud.....11</p> <p>N</p> <p>Name plate.....25</p> <p>Needle roller.....9</p> <p>Nut.....5</p> <p>NUT.....11, 21, 23</p> <p>O</p> <p>O RING.....9</p> <p>Oil label.....25</p> <p>Oil strainer.....9</p> <p>Oiler.....5</p> <p>Oilseal (ISM 15356).....11</p> <p>O-ring.....9</p> <p>O-ring (P-12).....9</p> <p>O-ring (P-29).....9</p> <p>O-ring (P-6).....9</p> <p>O-ring (P-8).....9</p> <p>O-ring (P-9).....9</p> <p>O-ring (S-5).....9</p> <p>P</p> <p>Pawl catcher.....5</p> <p>PIN, METERING LEVER.....13</p> <p>PIPE, FUEL - INNER.....9</p>
--	--	--



Part Description Index (continued)

PIPE, FUEL - OUTER.....9
 PIPE, OIL.....9
 Piston.....11
 Piston pin.....11
 Piston ring.....11
 PLATE, GUIDE - INNER.....17
 PLATE, GUIDE - OUTER.....17
 PLATE, STARTER.....5
 Pump cover.....13
 Pump cover screw.....13
 Pump diaphragm.....13
 Pump gasket.....13
 Pump piston.....9
 Pump rod.....9
 Pump spring.....9
 Push lever.....21, 23

R

Ratchet.....5
 Ratchet spacer.....5
 Ratchet spring.....5
 Rear handle.....23
 Recoil drum.....5
 Right handle.....21
 Right handle rubber.....21
 Roller bearing.....11, 15
 Rope guide.....5
 Round file.....27
 Rubber bush.....5, 11
 Rubber bush (B).....5
 Rubber bushing.....5

S

Safety lock.....21
 Safety lock spring.....21
 SAWING CHAIN -- 72D-59E.....17
 SAWING CHAIN -- 72LP-60E.....17
 Screen retainer.....11
 Screw.....13
 SCREW.....13, 17
 SCREW 3X18.....5
 SCREW 4X10.....5, 9, 11, 15, 17, 21, 23
 SCREW 4X12.....5
 SCREW 4X14.....9, 11, 21, 23
 SCREW 4X20.....11
 SCREW 4X8.....5
 SCREW 5X12.....21, 23
 SCREW 5X14.....5, 9, 23
 SCREW 5X16.....11
 SCREW 5X20.....5, 11, 19, 21, 23
 SCREW 5X25.....15, 21
 SCREW 5X30.....11, 19
 SCREW, ADJUST.....17
 SCREWDRIVER - 125mm SLOT.....27
 SEAL, DUST.....17
 SHOE, BRAKE.....17
 Side plate (B).....5
 Side plate (inner).....15
 Side plate (outer).....15
 Spacer.....6, 9
 SPACER.....17
 Spark arresting screen.....11
 SPARK PLUG -- BM-6A.....5
 Spike.....23
 Spike bumper.....21
 Spring.....23
 SPRING.....17

Spring pin.....21, 23
 Spring retainer.....9
 Spring washer 5.....23
 Spring Washer 5.....11, 21
 Spring, push lever.....21, 23
 SPRING, REWIND.....5
 Starter ass'y.....6
 Starter clip.....5
 Starter grip.....5
 Starter rope.....5
 Stator plate.....5
 Stop switch.....21, 23
 Stopper.....21, 23
 Stopper, cushion.....23
 Stud bolt.....15
 Stud bolt, (L).....5
 Stud bolt, (S).....5
 STUD, GUIDE BAR.....17
 Supporter.....23
 Supporter (L).....23
 Supporter, tank cap spacer.....9

T

TENSIONER.....15, 17
 TERMINAL, SPARK PLUG.....5
 Throttle connecting rod.....21, 23
 Throttle control lockout.....23
 Throttle latch.....23
 Throttle lock.....21
 Throttle return spring.....13
 Throttle shaft.....13
 Throttle shaft clip.....13
 Throttle spring.....21, 23
 Throttle trigger.....21, 23
 Throttle valve.....13
 Thumb bolt.....5
 Tool bag.....27
 Tool set.....27

V

Valve spring.....9
 VALVE, BALL.....9

W

Washer.....9, 11, 15
 WASHER.....5, 11, 15, 17, 21, 23
 Washer (TWA-5).....11
 Wind proof plate.....21, 23
 Wrench 13x19.....27

NOTES



ECHO, INCORPORATED

400 Oakwood Road
Lake Zurich, IL 60047 USA

WWW.ECHO-USA.COM
