



PARTS CATALOG

**TRIMMER/
BRUSH CUTTER**

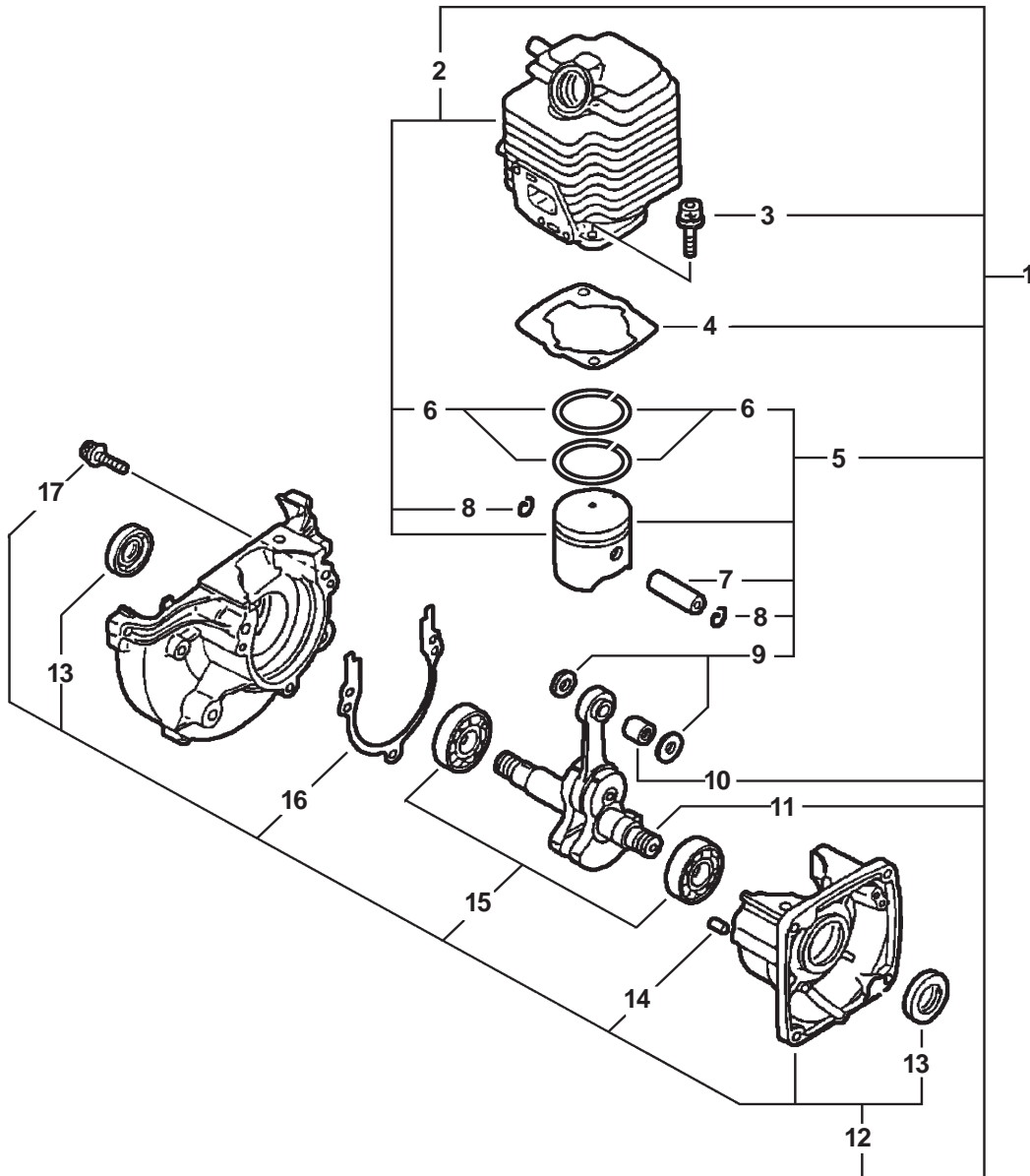
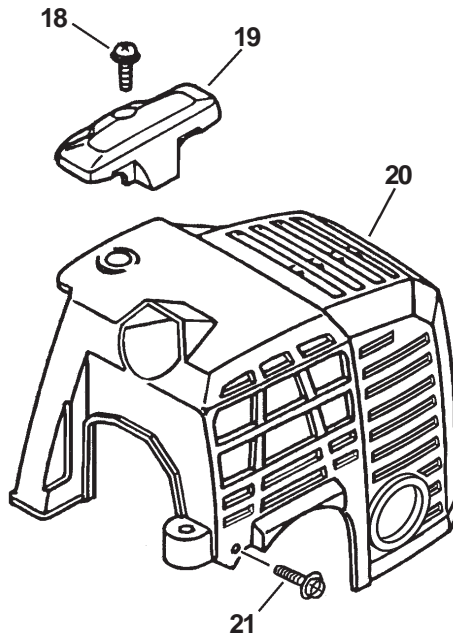
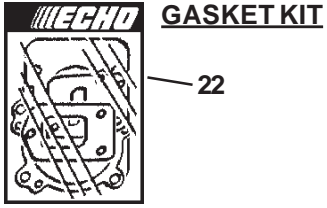
MODEL SRM-2400 TYPE 1E

MODEL SRM-2410 TYPE 1E

SERIAL NUMBER 001001 & UP

ECHO, INCORPORATED

400 OAKWOOD ROAD
LAKE ZURICH, ILLINOIS 60047
WWW.ECHO-USA.COM



ITEM	PART NUMBER	QTY	DESCRIPTION	REMARKS
<u>OPTIONAL ENGINE REPOWER</u>				
1	SB1027	1	SHORT BLOCK	INCLUDES ITEMS 2-17
2	10100308960	1	CYLINDER W/PISTON	INCLUDES CYLINDER, PISTON, & ITEMS 6 & 8
3	90016205022	2	BOLT 5X22	
★ 4	10101044332	1	GASKET, CYLINDER	
5	10000009563	1	PISTON KIT	INCLUDES ITEMS 6-9
6	10001109560	2	RING, PISTON	
7	10001311520	1	PIN, PISTON	
8	10001504630	2	CIRCLIP, PISTON PIN	
9	10001411520	2	SPACER, PISTON PIN	
10	10001251230	1	BEARING, NEEDLE	
11	A011000101	1	CRANKSHAFT ASY	
12	10020451030	1	CRANKCASE KIT	INCLUDES ITEMS 13-17
13	10021242030	2	SEAL, OIL	
14	10021503930	2	PIN, DOWEL	
15	9403536201	2	BEARING, BALL	
★ 16	10024242030	1	GASKET, CRANKCASE	
17	90016205028	3	BOLT 5X28	
18	90023805016	1	SCREW 5X16	
19	15991254130	1	GUARD, TOP	
20	10151448930	1	COVER, CYLINDER	
21	90016304016	2	SCREW 4X16	

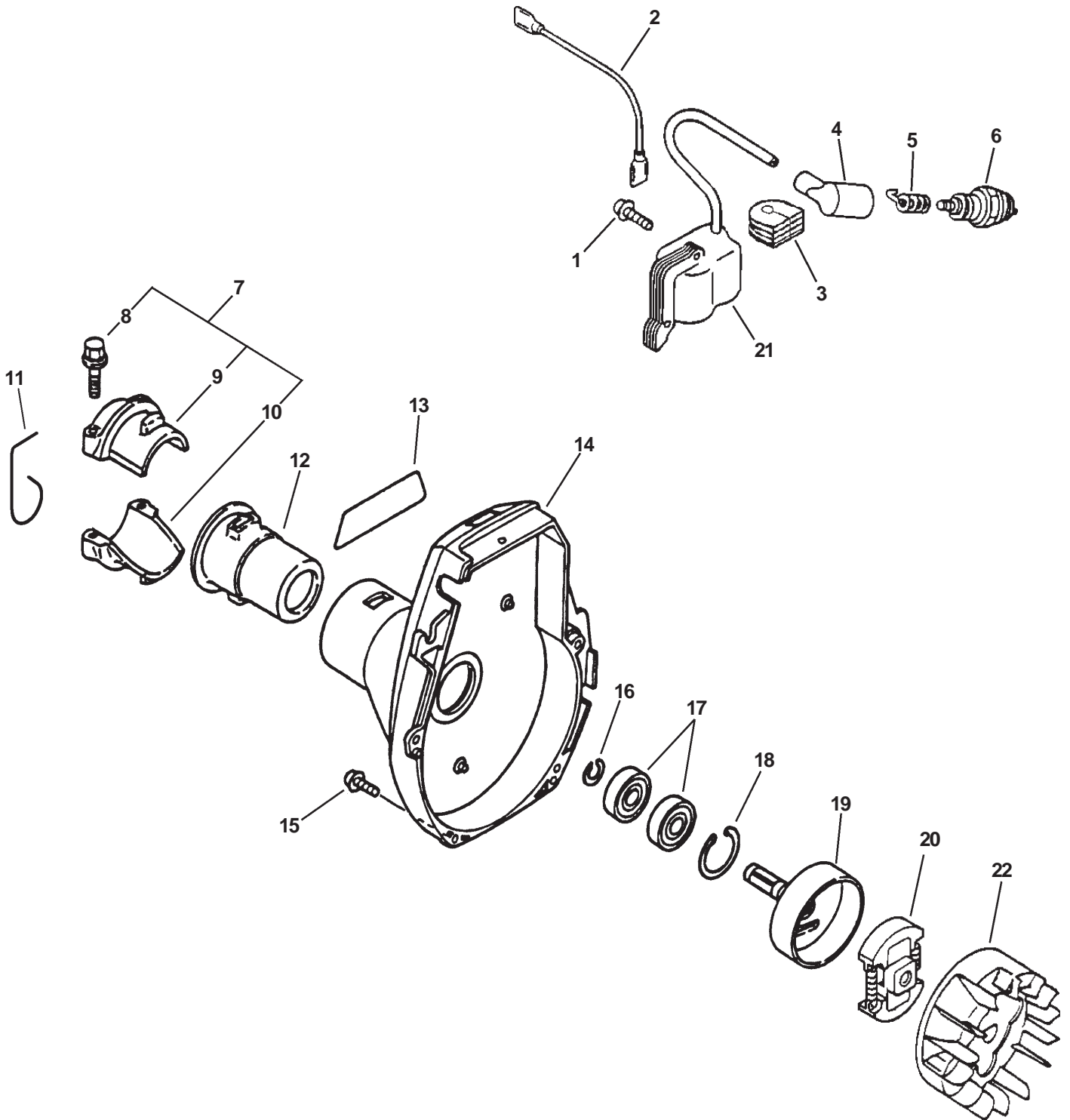
★ Also Included In GASKET KIT

GASKET KIT - SERIAL NUMBER: SRM-2400 -- 001001-562999 & SRM-2410 -- 001001-503485

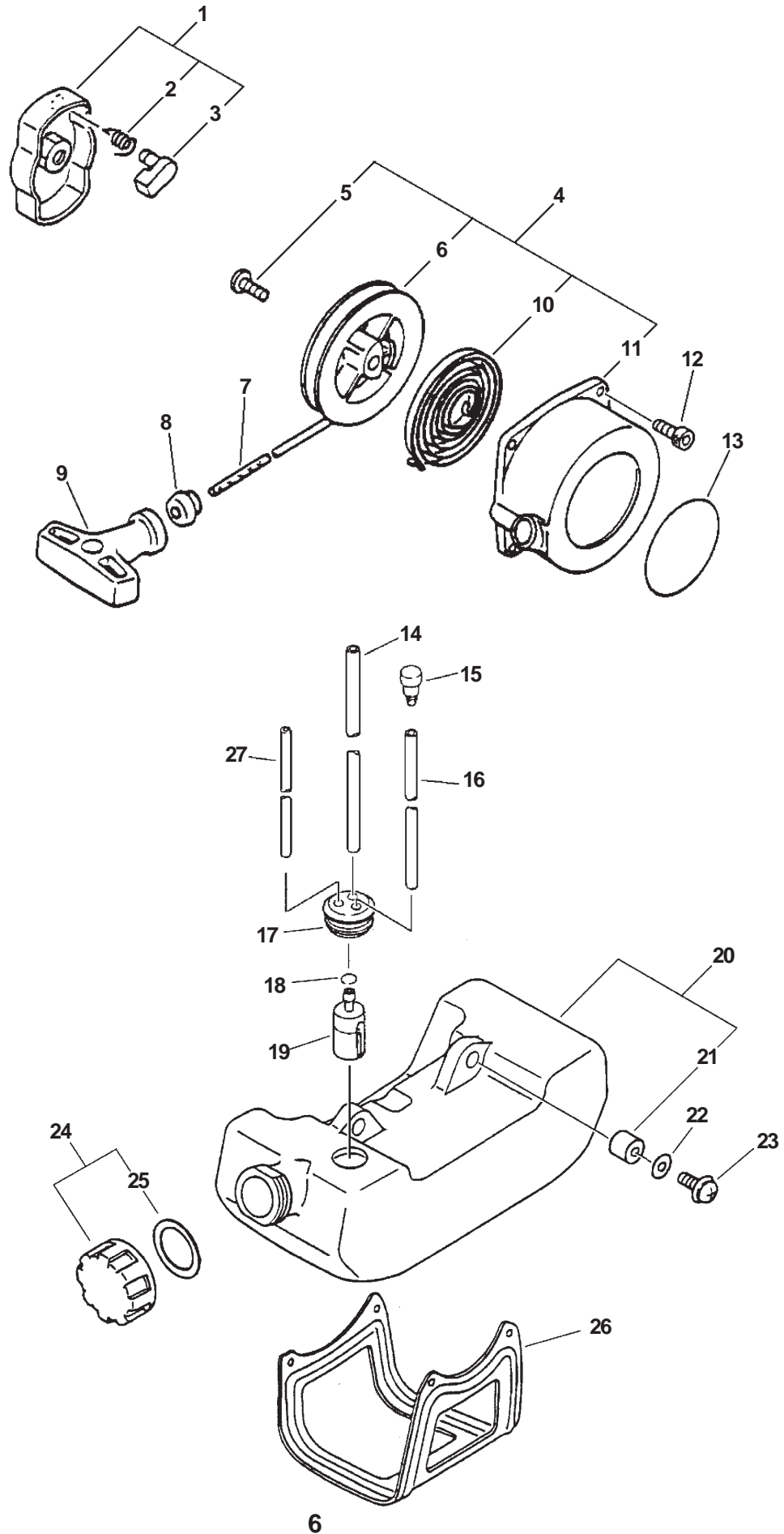
22	88900005960	1	GASKET KIT	
----	-------------	---	------------	--

GASKET KIT - SERIAL NUMBER: SRM-2400 -- 563000 & UP & SRM-2410 -- 503486 & UP

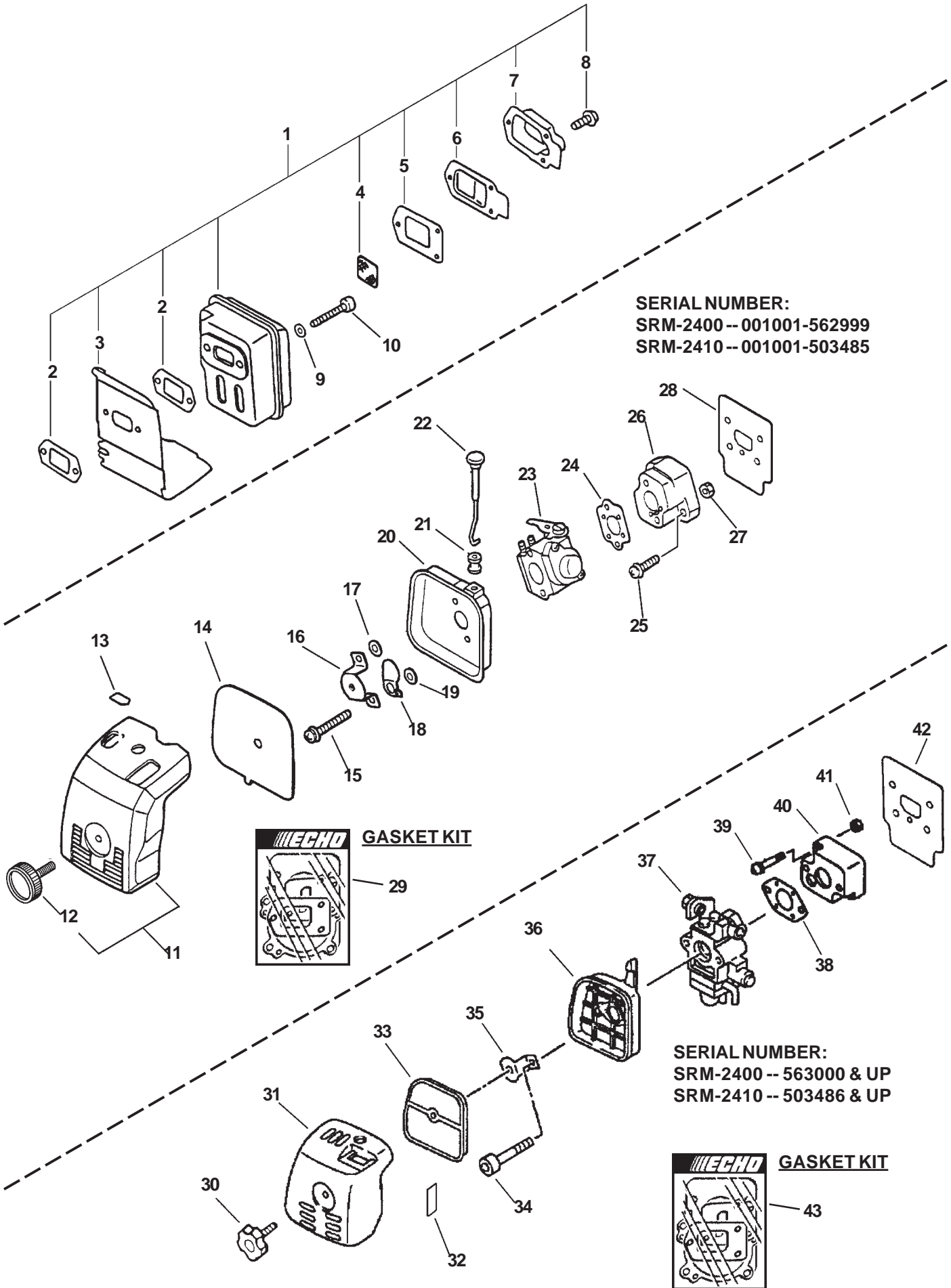
22	88900004861	1	GASKET KIT	
----	-------------	---	------------	--



ITEM	PART NUMBER	QTY	DESCRIPTION	REMARKS
1	90016204022	2	BOLT 4X22	
2	16201052830	1	LEAD	
3	15611240630	1	GROMMET	
4	15901201620	1	CAP, SPARK PLUG	
5	15901103432	1	TERMINAL, SPARK PLUG CAP	
6	99944500071	1	PLUG, SPARK BPM-7Y	
6	<i>BPMR-7A</i>	<i>1</i>	<i>PLUG, SPARK</i>	<i>CANADA MODELS</i>
7	61090355230	1	HOLDER KIT	INCLUDES ITEMS 8-10
8	90014205025	2	BOLT 5X25	
9	61092227432	1	HOLDER	
10	61092355230	1	HOLDER	
11	17811106230	1	CLAMP	SERIAL NUMBER: 503485 & UP
12	61091055230	1	CUSHION	
13	89011252130	1	LABEL, MODEL -- SRM-2400	
14	89013552130	1	LABEL, MODEL -- SRM-2410	
14	10150352131	1	FAN COVER	
15	90016304016	6	SCREW 4X16	
16	90070100012	1	CIRCLIP 12	
17	90080796001	2	BEARING, BALL	
18	90070200028	1	CIRCLIP 28	
19	17500548931	1	DRUM, CLUTCH	
20	17500056830	1	CLUTCH ASY	
<u>SERIAL NUMBER: 001001-501000</u>				
21	15660152130	1	COIL, IGNITION	
22	15680144731	1	FLYWHEEL	
<u>SERIAL NUMBER: 501001 & UP</u>				
21	15662652730	1	COIL, IGNITION	
22	15680109660	1	FLYWHEEL	



ITEM	PART NUMBER	QTY	DESCRIPTION	REMARKS
1	17720244330	1	STARTER PAWL ASY	INCLUDES ITEMS 2-3
2	17723442030	1	SPRING, RETURN	
3	17721844330	1	PAWL, STARTER	
4	17720042033	1	STARTER ASY	INCLUDES ITEMS 4-11
5	17723644330	1	SCREW	
6	17721544430	1	DRUM, STARTER	
7	17722610120	1	ROPE, STARTER	3mm(1/8") X 1000mm(39-1/2"), BULK OPTION: 99944444000
8	17722742030	1	GUIDE, ROPE	
9	17722806530	1	GRIP, STARTER	
10	17722042030	1	SPRING, REWIND	
11	17723242032	1	CASE, STARTER	
12	90016304016	4	BOLT 4X16	
13	89011849130	1	LABEL, ECHO	
14	13201013930	1	PIPE, FUEL - 3X5X180mm	BULK OPTION: 90014
15	A356000030	1	VALVE, CHECK	■
16	13131239130	1	PIPE, VENT - 3X5X70mm	BULK OPTION: 90014
17	13211546730	1	GROMMET, FUEL	
18	13201309820	1	CLIP	
19	13120507320	1	FILTER, FUEL	
20	13100544331	1	TANK, FUEL	INCLUDES ITEM 22
21	13104528230	2	COLLAR	
22	90060300005	2	WASHER 5	
23	90023805016	2	SCREW 5X16	
24	13100455830	1	FUEL TANK CAP ASY	INCLUDES ITEM 26
25	13101655830	1	GASKET, FUEL TANK CAP	
26	30511042030	1	STAND	
<u>SERIAL NUMBER: SRM-2400 -- 001001-562999, SRM-2410 -- 001001-501557</u>				
27	13201056330	1	PIPE, RETURN - 3X6X90mm	BULK OPTION: 90017
<u>SERIAL NUMBER: SRM-2400 -- 563000 & UP, SRM-2410 -- 501558 & UP</u>				
27	13201256030	1	PIPE, RETURN - 3X6X80mm	BULK OPTION: 90017



ITEM	PART NUMBER	QTY	DESCRIPTION	REMARKS
1	14580052631	1	MUFFLER ASY	INCLUDES ITEMS 2-8
★ 2	V104000160	2	SHIELD, MUFFLER	
3	14587152130	1	COVER, MUFFLER	
4	14586240630	1	SCREEN, MUFFLER	
★ 5	14586642031	1	GASKET, MUFFLER LID	
6	14587642030	1	LID, MUFFLER	
7	14581852130	1	GUIDE, EXHAUST	
8	90023804010	3	SCREW 4X10	
9	90060000005	2	WASHER 5	
10	90010505055	2	BOLT 5X55	

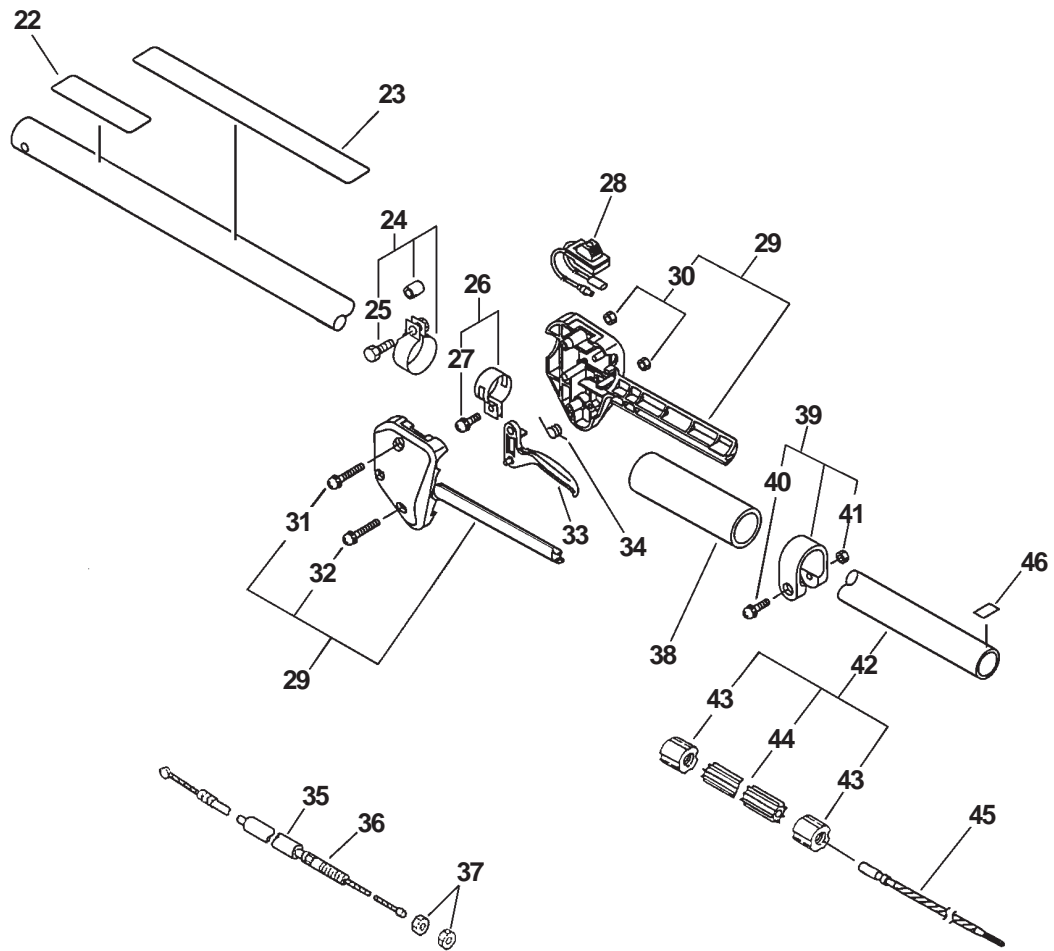
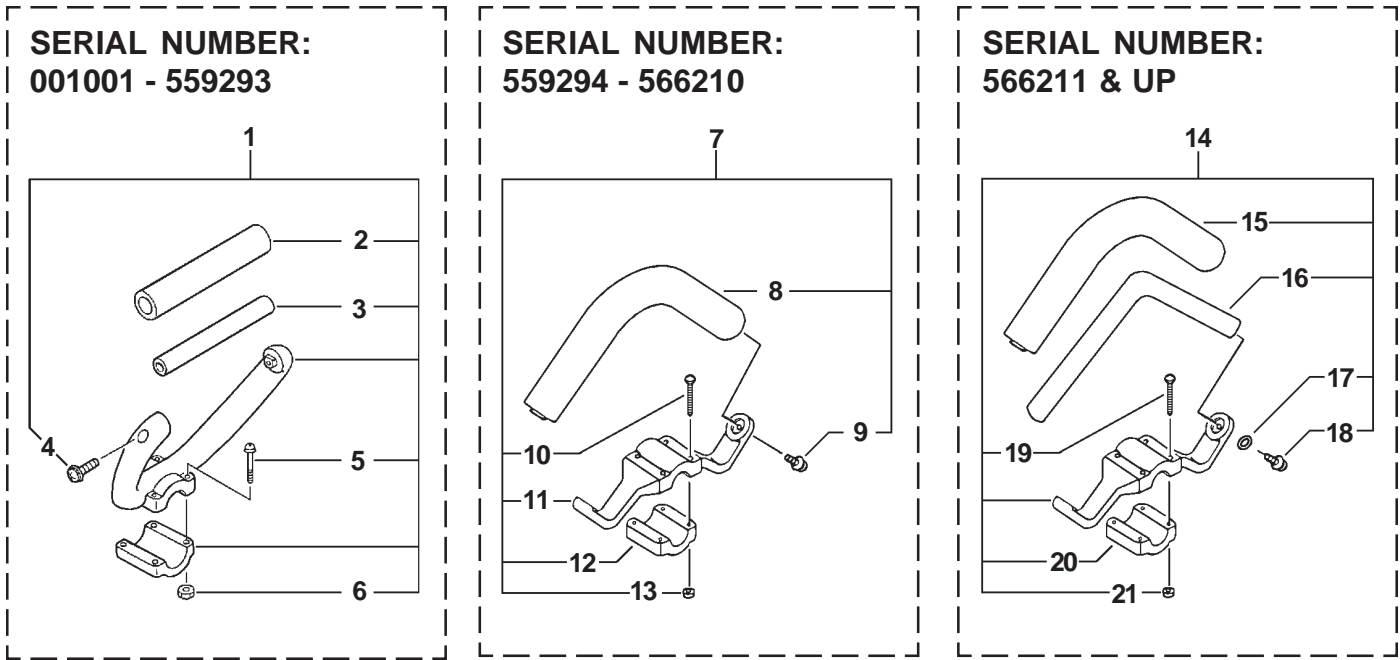
SERIAL NUMBER: SRM-2400 -- 001001-562999, SRM-2410 -- 001001-503485

11	13030252130	1	AIR CLEANER COVER ASY	INCLUDES ITEMS 12
12	13040652130	1	THUMB SCREW	
13	89012152130	1	LABEL, CHOKE	
14	13031051830	1	FILTER, AIR	
15	90024205057	2	SCREW 5X57	
16	12901152130	1	PLATE, PRE-VENT	
17	90060000005	1	WASHER 5	
18	17851505060	1	SHUTTER, CHOKE	
19	17851600830	1	WASHER 5	
20	13031451730	1	CASE, AIR CLEANER	
21	17881005230	1	GROMMET, CHOKE	
22	17851051730	1	KNOB, CHOKE	
23	12300052131	1	CARBURETOR -- WT-424A	
★ 24	13001005960	1	GASKET, INTAKE	
25	90023805020	2	SCREW 5X20	
26	13001742031	1	INSULATOR	
27	90050000005	2	NUT 5	
★ 28	13001042032	1	SHIELD, CYLINDER	
29	88900005960	1	GASKET KIT	

SERIAL NUMBER: SRM-2400 -- 563000 & UP, SRM-2410 -- 503486 & UP

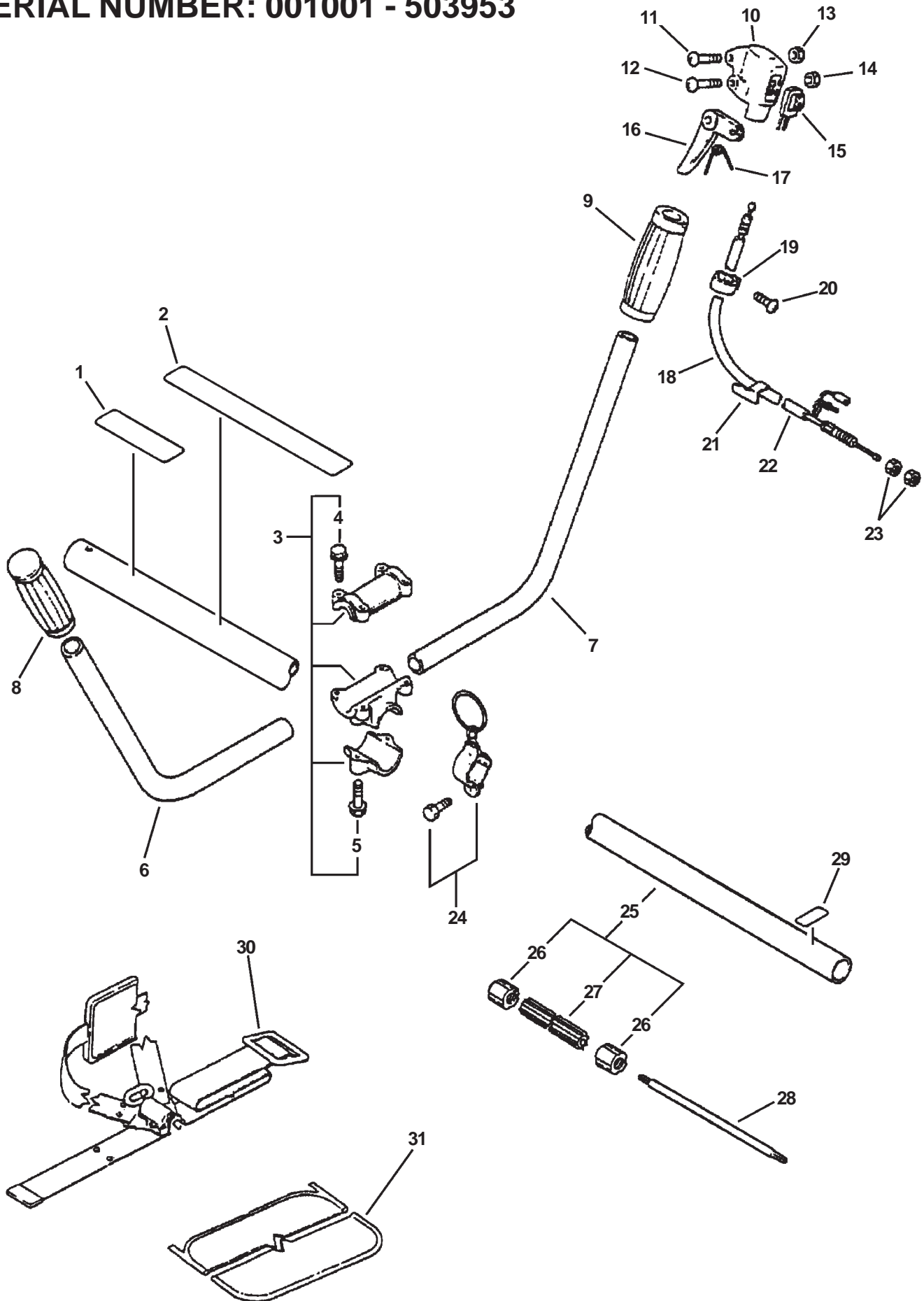
30	13040652130	1	THUMB SCREW	
31	13031357731	1	LID, CLEANER	
32	89012152730	1	LABEL, CHOKE	
32	89033252730	1	LABEL, CHOKE -- CANADA MODELS	
33	13031051830	1	FILTER, AIR	
34	90024205065	2	SCREW 5X65	
35	12901157730	1	PLATE, PRE-VENT	
36	13030757730	1	CASE, CLEANER	
37	12300051730	1	CARBURETOR -- WYJ-22	
★ 38	13001044431	1	GASKET, INTAKE	
39	90023805020	2	SCREW 5X20	
40	13001744330	1	INSULATOR	
41	90050000005	2	NUT 5	
★ 42	13001042032	1	SHIELD, CYLINDER	
43	88900004861	1	GASKET KIT	

★ Also Included In GASKET KIT



ITEM	PART NUMBER	QTY	DESCRIPTION	REMARKS
<u>SERIAL NUMBER: 001001 - 559293</u>				
1	35120152130	1	HANDLE ASY, LOOP	INCLUDES ITEMS 2-6
2	35121351730	1	GRIP, FRONT HANDLE	
3	35121051730	1	HANDLE, FRONT	
4	90024605030	2	SCREW 5X30	
5	90024205035	4	SCREW 5X35	
6	90050000005	4	NUT 5	
<u>SERIAL NUMBER: 559294 - 566210</u>				
7	P021000000	1	HANDLE ASY	INCLUDES ITEMS 8-13
8	35120507130	1	HANDLE, FRONT	
9	90024205014	2	SCREW 5X14	
10	90024205035	4	SCREW 5X35	
11	35123207131	1	BRACKET, HANDLE	
12	35122507130	1	BRACKET, HANDLE	
13	90050000005	4	NUT 5	
<u>SERIAL NUMBER: 566211 & UP</u>				
14	P021000020	1	HANDLE ASY	INCLUDES ITEMS 15-21
15	35121666230	1	GRIP, FRONT HANDLE	
16	35120566230	1	HANDLE, FRONT	
17	90060000005	2	WASHER	
18	88995021060	2	SCREW	
19	90024205035	4	SCREW 5X35	
20	35122507130	1	BRACKET, HANDLE	
21	90050000005	4	NUT 5	
22	89022809560	1	LABEL, CAUTION - SPANISH	
23	89016054130	1	LABEL, CAUTION	
24	30120708930	1	HOOK	INCLUDES ITEM 25
25	90010005018	1	BOLT 5X18	
26	30120029430	1	BAND	INCLUDES ITEM 27
27	90024205014	1	SCREW 5X14	
28	16340049230	1	SWITCH, IGNITION	
29	17800352130	1	THROTTLE BRACKET SET	INCLUDES ITEMS 30-32
30	90050000005	2	NUT 5	
31	90024205035	1	SCREW 5X35	
32	90024205025	1	SCREW 5X25	
33	17801052130	1	CONTROL, THROTTLE	
34	17804342230	1	SPRING, THROTTLE RETURN	
35	17812752130	1	TUBE	
36	17800144430	1	CABLE, THROTTLE	SERIAL NUMBER: 001001-509053
36	17800156730	1	CABLE, THROTTLE	SERIAL NUMBER: 509054-562999
36	17800156530	1	CABLE, THROTTLE	SERIAL NUMBER: 563000 & UP
37	90050200006	2	NUT 6	SERIAL NUMBER: 001001-562999
38	35121352130	1	GRIP, FRONT HANDLE	
39	61027252130	1	BAND 25	INCLUDES ITEMS 40-41
40	90024205028	1	SCREW 5X28	
41	90050000005	1	NUT 5	
42	61060944730	1	DRIVE SHAFT HOUSING ASY	INCLUDES ITEMS 43-44
43	61024644730	2	FIXTURE, LINER	
44	61021744730	1	LINER, FLEXIBLE	
45	61001344730	1	SHAFT, FLEXIBLE	
46	89015204930	1	LABEL, CAUTION	

SERIAL NUMBER: 001001 - 503953

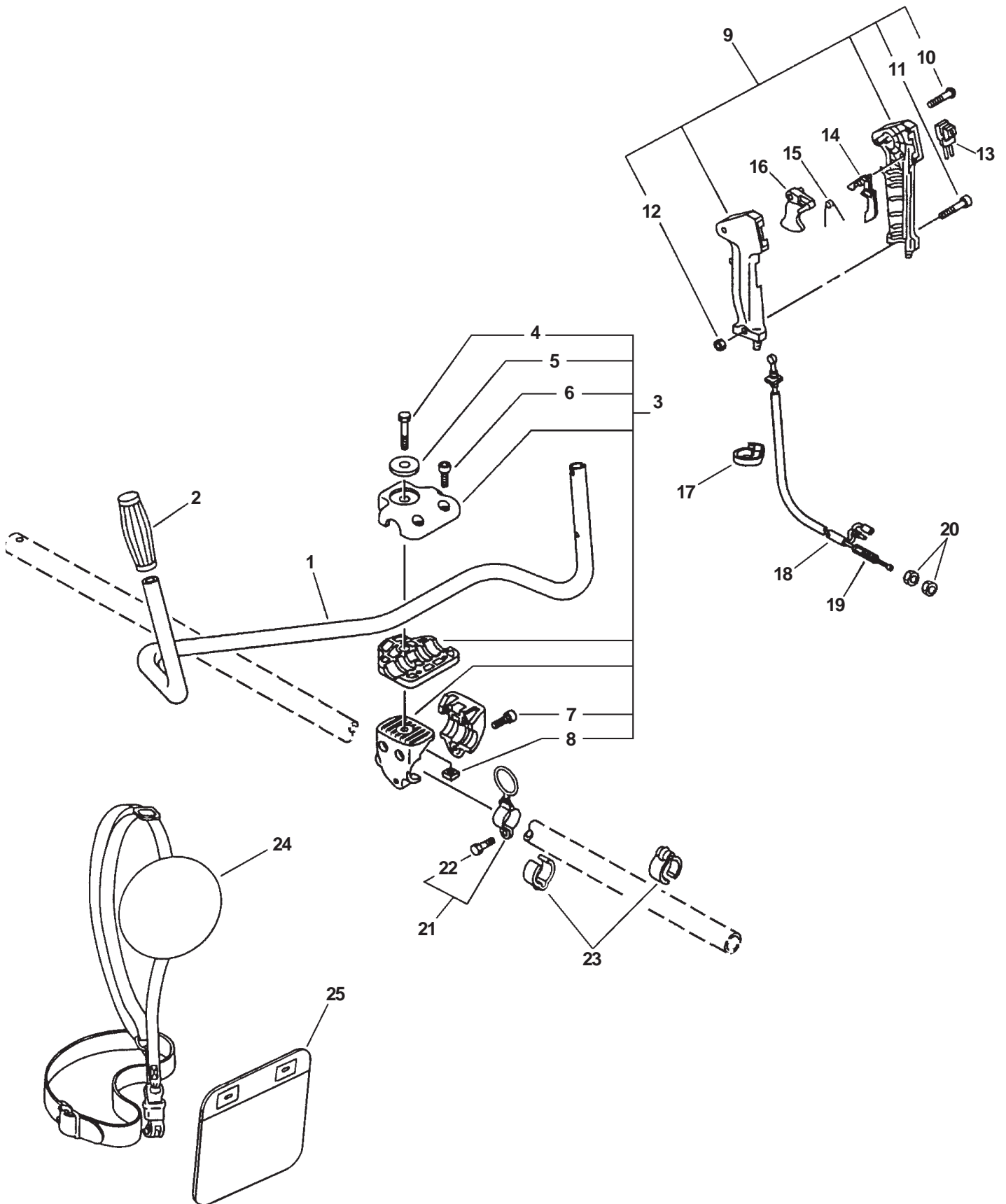


ITEM	PART NUMBER	QTY	DESCRIPTION	REMARKS
	<u>SERIAL NUMBER: 001001-503953</u>			
1	89017740630	1	LABEL, CAUTION - SPANISH	
2	89016054130	1	LABEL, CAUTION	
3	P021000460	1	HANDLE BRACKET ASY	INCLUDES ITEMS 4-5
4	90014205025	4	BOLT 5X25	
5	90014206030	2	BOLT 6X30	
6	35121005530	1	HANDLE, FRONT - LEFT	
7	35101005530	1	HANDLE, FRONT - RIGHT	
8	35131102330	1	GRIP, HANDLE	
9	35131522130	1	GRIP, HANDLE	
10	17802451830	1	BRACKET, THROTTLE	
11	90022005025	1	SCREW 5X25	
12	17811005330	1	SCREW	
13	90056000005	1	LOCKNUT 5	
14	90050000005	1	NUT 5	
15	16340149230	1	SWITCH, IGNITION	
16	17801006460	1	CONTROL, THROTTLE	
17	17804305230	1	SPRING, THROTTLE RETURN	
18	17800141330	1	CABLE, THROTTLE	
19	17810605330	1	BAND	
20	90022005010	1	SCREW 5X10	
21	17811104930	1	CLIP, THROTTLE WIRE	
22	17812708030	1	TUBE 10X11X750	
23	90050300006	2	LOCKNUT	
24	30120021330	1	HOOK ASY	
25	61060944730	1	DRIVESHAFT HOUSING ASY	INCLUDES ITEMS 26-27
26	61024644730	2	FIXTURE, LINER	
27	61021744730	1	LINER, FLEXIBLE	
28	61001344730	1	SHAFT, FLEXIBLE	
29	89015204930	1	LABEL, CAUTION	
30	30100052131	1	HARNESS ASY	
31	30110541830	1	PAD, WAIST	

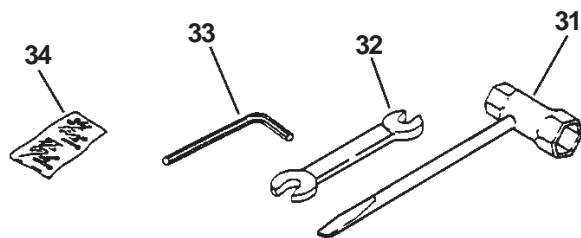
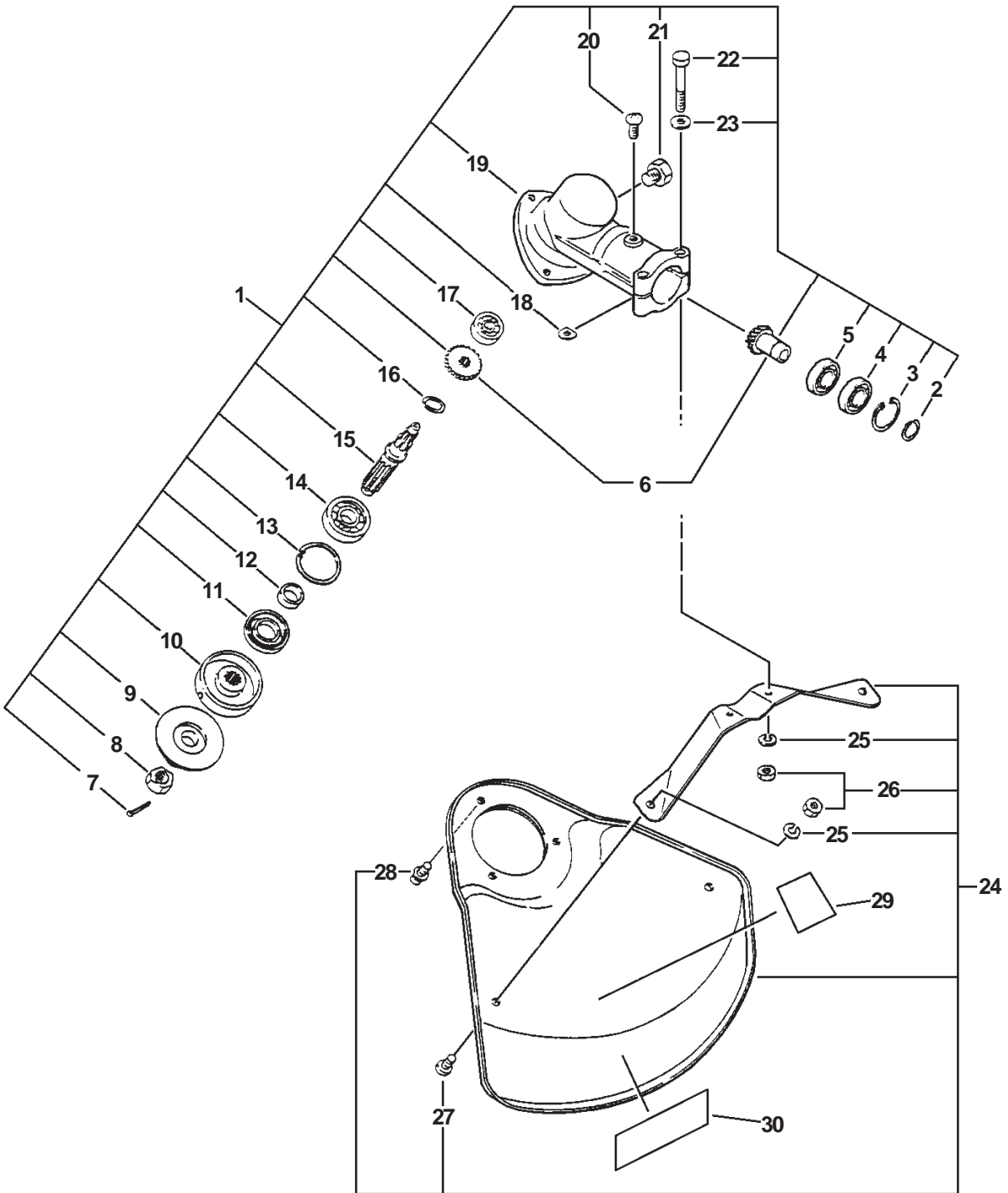
SRM-2410 TYPE 1E

DRIVE SHAFT, HANDLES, THROTTLE, STOP SWITCH, HARNESS

SERIAL NUMBER: 503954 & UP

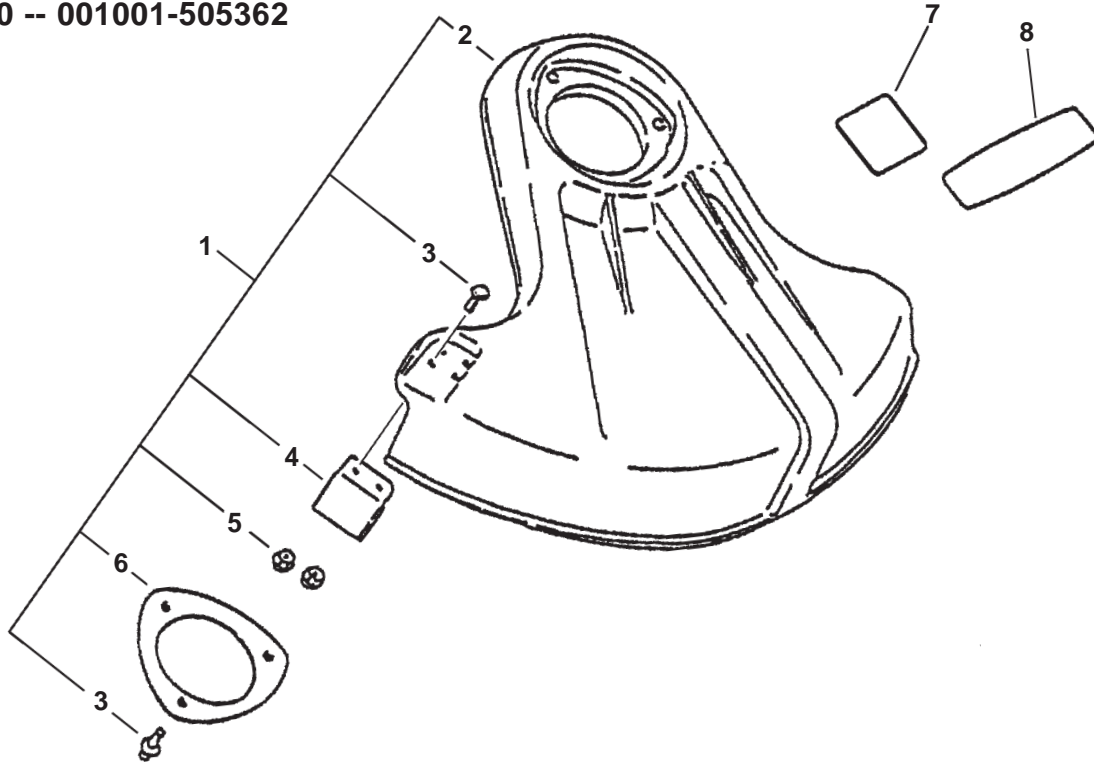


ITEM	PART NUMBER	QTY	DESCRIPTION	REMARKS
	<u>SERIAL NUMBER: 503954 & UP</u>			
1	C400000000	1	HANDLE, FRONT	
2	35131102330	1	GRIP, HANDLE	
3	35130152130	1	HANDLE BRACKET ASY	INCLUDES ITEMS 4-8
4	35142152130	1	BOLT	
5	60501454230	1	WASHER	
6	90016205020	2	BOLT 5X20	
7	90016205030	3	BOLT 5X30	
8	90056550008	1	NUT	
9	35110247530	1	FRONT HANDLE GRIP ASY	INCLUDES ITEMS 10-12
10	90024603025	4	SCREW 3X25	
11	90022005030	1	SCREW 5X30	
12	90050000005	1	NUT 5	
13	16340048030	1	SWITCH, IGNITION	
14	17801205960	1	LOCKOUT, THROTTLE	
15	17801335631	1	SPRING, THROTTLE LOCK	
16	17801005960	1	CONTROL, THROTTLE	
17	15911209960	1	CLIP	
18	V475000000	1	TUBE	
19	17800147530	1	CABLE, THROTTLE	SERIAL NUMBER: 001001-503484
19	17800156430	1	CABLE, THROTTLE	SERIAL NUMBER: 503485 & UP
20	90050300006	2	NUT 6	
21	30120021330	1	HOOK ASY	INCLUDES ITEM 22
22	90010005012	1	BOLT 5X12	
23	22492452130	2	CLIP	
24	30100052131	1	HARNESS, SHOULDER	
25	30110541830	1	CUSHION	

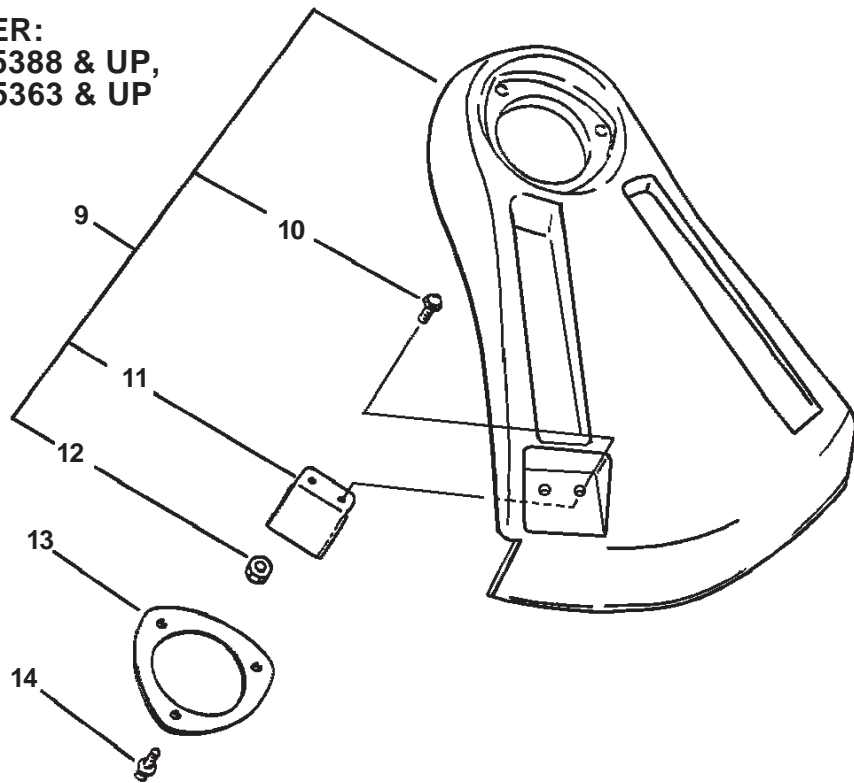


ITEM	PART NUMBER	QTY	DESCRIPTION	REMARKS
1	61040240930	1	HOUSING ASY, GEAR	INCLUDES ITEMS 2-23
2	90070600010	1	CIRCLIP 10	
3	90070200022	1	CIRCLIP 22	
4	90085806900	1	BEARING, BALL 6900	
5	90085506900	1	BEARING, BALL 6900	
6	61030044830	1	GEAR SET, BEVEL	
7	90030020022	1	PIN, SPLIT 2X22	
8	90051100010	1	NUT 10 - LEFT HANDED	
9	61031404131	1	PLATE, ADAPTER - LOWER	
10	61033808930	1	PLATE, ADAPTER - UPPER	SRM-2410 WITH BLADE ONLY
11	61041307130	1	OILSEAL	
12	61031507130	1	SPACER	
13	90070200032	1	CIRCLIP 32	
14	9403536201	1	BEARING, BALL 6201	
15	61036008931	1	SHAFT, P.T.O.	
16	90070600012	1	CIRCLIP 12	
17	90080000609	1	BEARING, BALL 609	
18	61023904130	2	WASHER, SHIM	
19	61046027430	1	CASE, GEAR	
20	90024205010	1	SCREW 5X10	
21	90010008008	1	BOLT 8X6	
22	90010005035	2	BOLT 5X35	
23	90060000005	2	WASHER	
24	69900023431	1	SHIELD ASY	INCLUDES ITEMS 25-28
25	90060500005	4	WASHER, SPRING 5	
26	90050000005	4	NUT 5	
27	90022005008	2	SCREW 5X8	
28	90024205010	3	SCREW 5X10	
29	89011848830	1	LABEL, ECHO	
30	89016841031	1	LABEL, CAUTION	
31	89541008030	1	WRENCH, W/SCREWDRIVER	
32	89511200330	1	SPANNER 8X10	
33	89561203430	1	L-WRENCH - 3mm	
	<u>BULK OPTION</u>			
34	89850201130	1	PIN 2X22, COTTER - 10 PINS PER PACKAGE	

SERIAL NUMBER:
SRM-2400 -- 001001-515387,
SRM-2410 -- 001001-505362



SERIAL NUMBER:
SRM-2400 -- 615388 & UP,
SRM-2410 -- 505363 & UP

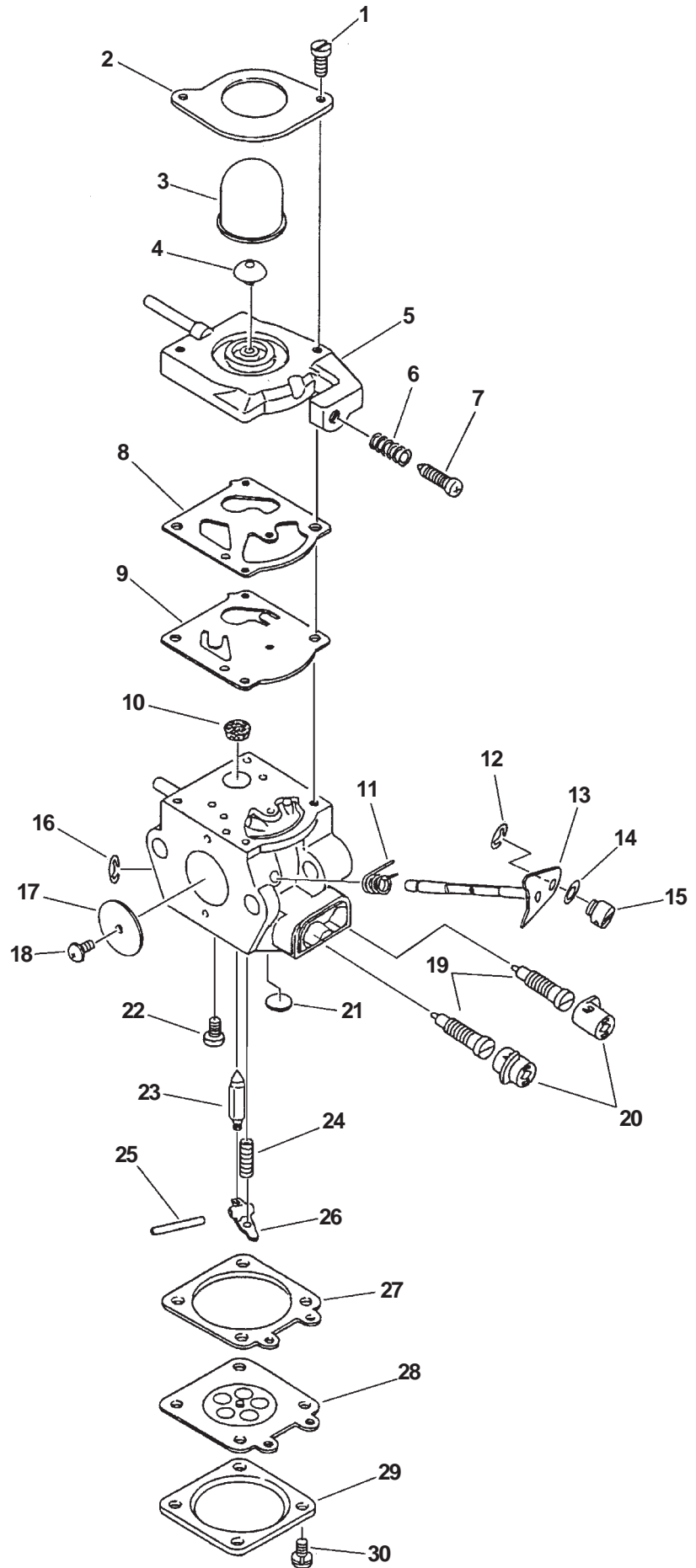


ITEM	PART NUMBER	QTY	DESCRIPTION	REMARKS
<u>SERIAL NUMBER: SRM-2400 -- 001001-515387, SRM-2410 -- 001001-505362</u>				
1	69900440931	1	SHIELD ASY	INCLUDES ITEMS 2-6
2	69901027231	1	SHIELD, BLADE	
3	90023805016	5	SCREW 5X16	
4	69901644330	1	CUTTER	
5	90050000005	2	NUT 5	
6	69901840830	1	BRACKET, SHIELD	
7	89016844830	1	LABEL, CAUTION	
8	89011848830	1	LABEL, ECHO	
<u>SERIAL NUMBER: SRM-2400 -- 615388 & UP, SRM-2410 -- 505363 & UP</u>				
9	P021001391	1	SHIELD ASY	INCLUDES ITEMS 10-12
10	90023805016	2	SCREW 5X16	
11	69901644330	1	CUTTER	
12	90050000005	2	NUT 5	
13	69901840830	1	BRACKET, SHIELD	
14	90023805016	3	SCREW 5X16	

SRM-2400, SRM-2410 - TYPE 1E

CARBURETOR

SERIAL NUMBER: SRM-2400--001001-562999, SRM-2410--001001-501557



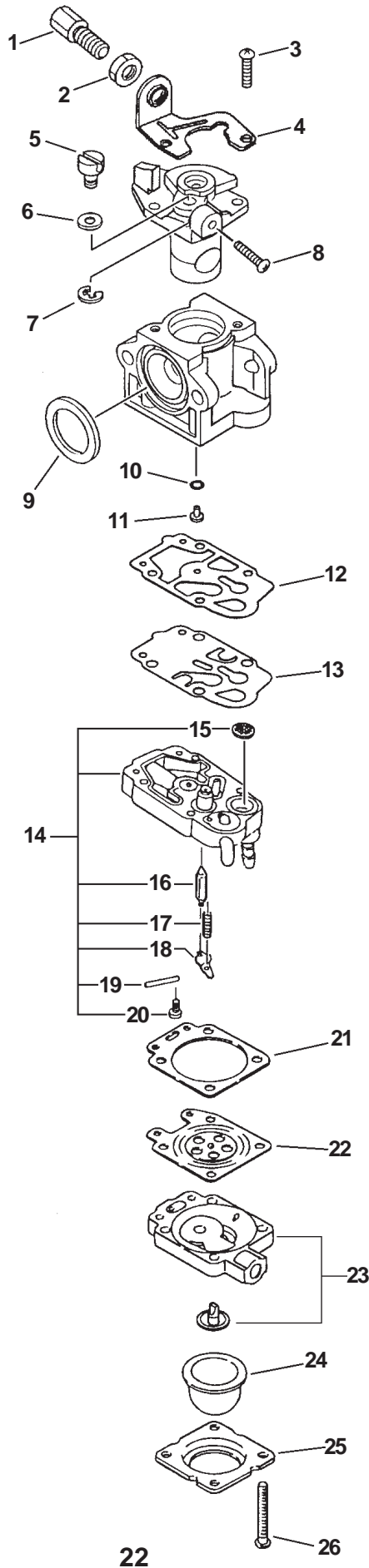
SERIAL NUMBER: SRM-2400--001001-562999, SRM-2410--001001-501557

ITEM	PART NUMBER	QTY	DESCRIPTION	REMARKS
	12300052131	1	CARBURETOR--WT-424A	INCLUDES ITEMS 1-30
1	12311043130	2	SCREW	
2	12314209560	1	COVER, PURGE PUMP	
3	12318109560	1	PUMP, PURGE	
4	12317135630	1	VALVE, CHECK PURGE	
5	12312443230	1	COVER, FUEL PUMP	
6	12313304260	1	SPRING, IDLE ADJUST	
7	12313404260	1	SCREW, IDLE ADJUST	
8	A B	1	GASKET, FUEL PUMP	
9	A B	1	DIAPHRAGM, FUEL PUMP	
10	A	1	SCREEN, INLET	
11	12311352130	1	SPRING, THROTTLE SHAFT	
12	12317307930	1	CLIP	
13	12311752130	1	SHAFT, THROTTLE	
14	12314926030	1	WASHER	
15	12317226030	1	SWIVEL	
16	12312715030	1	CLIP	
17	12311652130	1	VALVE, THROTTLE	
18	12311403930	1	SCREW	
19	12312052130	2	NEEDLE, MIXTURE	
20	12315139230	2	CAP, LIMITER	
21	A	1	PLUG, WELCH	
22	A	1	SCREW, METERING LEVER PIN	
23	A	1	VALVE, INLET NEEDLE	
24	A	1	SPRING, METERING LEVER	
25	A	1	PIN, METERING LEVER	
26	A	1	LEVER, METERING	
27	A B	1	GASKET, METERING DIAPHRAGM	
28	A B	1	DIAPHRAGM, METERING	
29	12314203930	1	COVER, METERING DIAPHRAGM	
30	A	4	SCREW	
A	12310052130	1	REPAIR KIT	
B	12310152130	1	GASKET/DIAPHRAGM KIT	

SRM-2400, SRM-2410 - TYPE 1E

CARBURETOR

SERIAL NUMBER: SRM-2400 -- 563000 & UP, SRM-2410 -- 501558 & UP



SERIAL NUMBER: SRM-2400 -- 563000 & UP, SRM-2410 -- 501558 & UP

ITEM	PART NUMBER	QTY	DESCRIPTION	REMARKS
	12300051730	1	CARBURETOR -- WYJ-220	INCLUDES ITEMS 1-26
1	12316156431	1	SCREW, ADJUSTER	
2	12315356430	1	NUT, ADJUSTER	
3	12311440630	2	SCREW	
4	12312854230	1	BRACKET, IDLE ADJUST	
5	12317245130	1	SWIVEL	
6	12314954230	1	WASHER	
7	12317307930	1	CLIP	
8	12313440030	1	SCREW, IDLE ADJUST	
9	A B	1	RING, PACKING	
10	12312052130	1	O-RING	
11	12318457730	1	JET, MAIN	
12	A B	1	GASKET, PUMP	
13	A B	1	DIAPHRAGM, PUMP	
14	12317905560	1	BODY ASY, PUMP	INCLUDES ITEMS 15-20
15	A	1	SCREEN, INLET	
16	A	1	VALVE, INLET NEEDLE	
17	12312205560	1	SPRING, METERING LEVER	
18	A	1	LEVER, METERING	
19	12313803930	1	PIN, METERING LEVER	
20	12313905560	1	SCREW, METERING LEVER PIN	
21	A B	1	GASKET, METERING DIAPHRAGM	
22	A B	1	DIAPHRAGM, METERING	
23	12318005560	1	BODY, AIR PURGE	
24	12318140630	1	PUMP, PURGE	
25	12314205560	1	COVER, PURGE PUMP	
26	12311005560	4	SCREW, PUMP COVER	
A	12310057730	1	REPAIR KIT	
B	12310157730	1	DIAPHRAGM/GASKET KIT	