

DGK20FS Generator

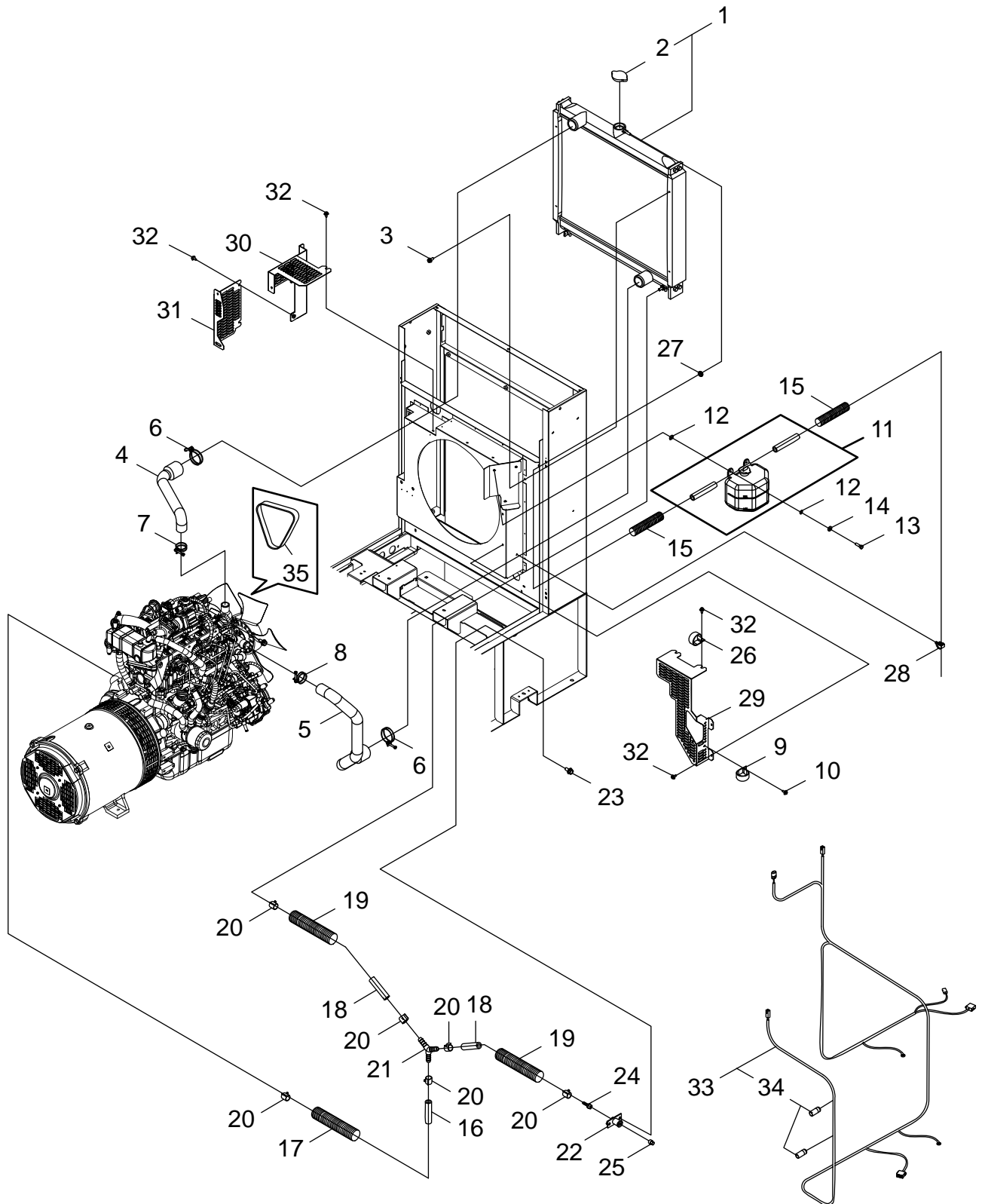


SERIAL NUMBERS

D20401000001 - D20401099999

RADIATOR ASSEMBLY.....	2	ECHO LABELS	34
RIGHT ENCLOSURE.....	4	REAR ENCLOSURE FRAME INSULATION	36
TOP ENCLOSURE	6	ENCLOSURE FRAME, RIGHT FRONT AND REAR DOOR INSULATION.....	38
ALTERNATOR	8	ENCLOSURE FRAME, LEFT FRONT AND REAR DOOR INSULATION.....	40
MAIN CONTROL PANEL.....	10		
MAIN BREAKER AND CONTROL BOX	12		
POWER OUTPUT TERMINAL.....	14		
AIR AND MUFFLER ASSEMBLY	16		
FUEL TANK OIL CONTAINMENT.....	18		
FUEL LINES.....	20		
OIL LINES.....	22		
ENCLOSURE FRAME.....	24		
FRONT ENCLOSURE	26		
BASE FRAME	28		
LEFT ENCLOSURE	30		
SHINDAIWA LABELS.....	32		

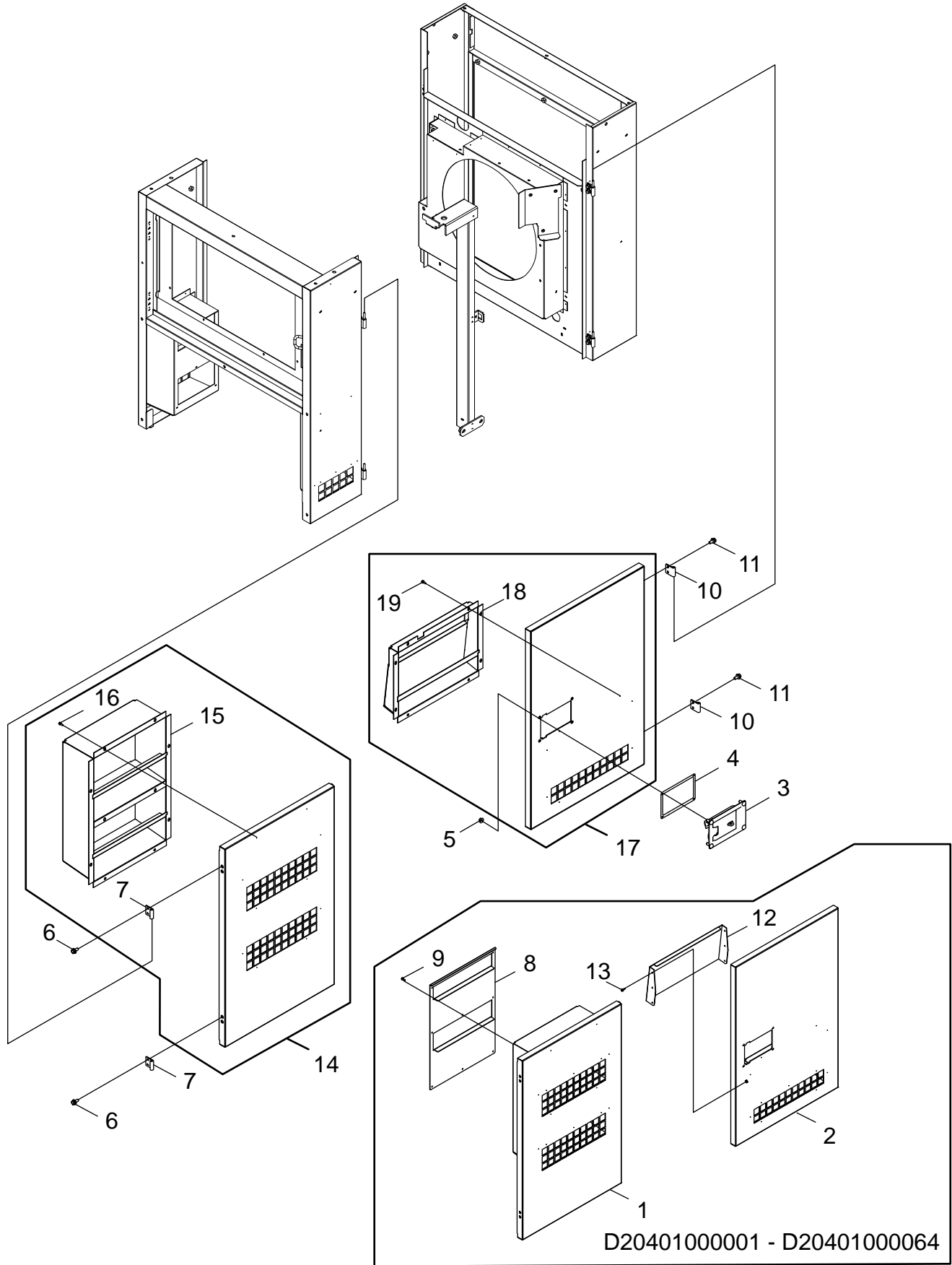
RADIATOR ASSEMBLY



RADIATOR ASSEMBLY

NO.	PART NUMBER	QTY.	DESCRIPTION
1	G200000300	1	RADIATOR
2	M608000070	1	+ CAP,RADIATOR
3	V205001420	4	BOLT,M8X20-SPW
4	G203000580	1	HOSE,RADIATOR
5	G203000590	1	HOSE,RADIATOR
6	V495001990	2	HOSE CLAMP
7	V495003280	1	BAND
8	V495001980	1	HOSE CLAMP
9	V490000820	1	CLAMP,WIRE HARNESS
10	V204001090	1	BOLT,M6X16 FT SW
11	G125000240	1	OVERFLOW TANK
12	V420005200	6	CUSHION
13	90010008030	3	BOLT,M8X30
14	90060200008	3	WASHER,M8
15	V475007520	2	TUBE,13XL450
16	K400001490	1	HOSE
17	V475005600	1	TUBE
18	K400001380	2	HOSE
19	V475005580	2	TUBE
20	V495001670	6	HOSE CLAMP
21	M601000170	1	JOINT
22	C153000100	1	SOCKET,Rc3/8 - Rc3/8
23	V205001420	2	BOLT,M8X20-SPW
24	K432000050	1	NIPPLE,R3/8 - HOSE
25	E328000130	1	DRAIN PLUG,R3/8
26	V490000810	1	CLAMP,WIRE HARNESS
27	V144000440	1	GROMMET
28	V490000790	1	CLAMP
29	A172003210	1	FAN COVER
30	A172003220	1	FAN COVER
31	A172003230	1	FAN COVER
32	V204001090	10	BOLT,M6X16 FT SW
33	G031005300	1	HARNESS,WIRE
34	G347000020	2	+ DIODE
35	I8980953350	1	BELT,COOLING FAN

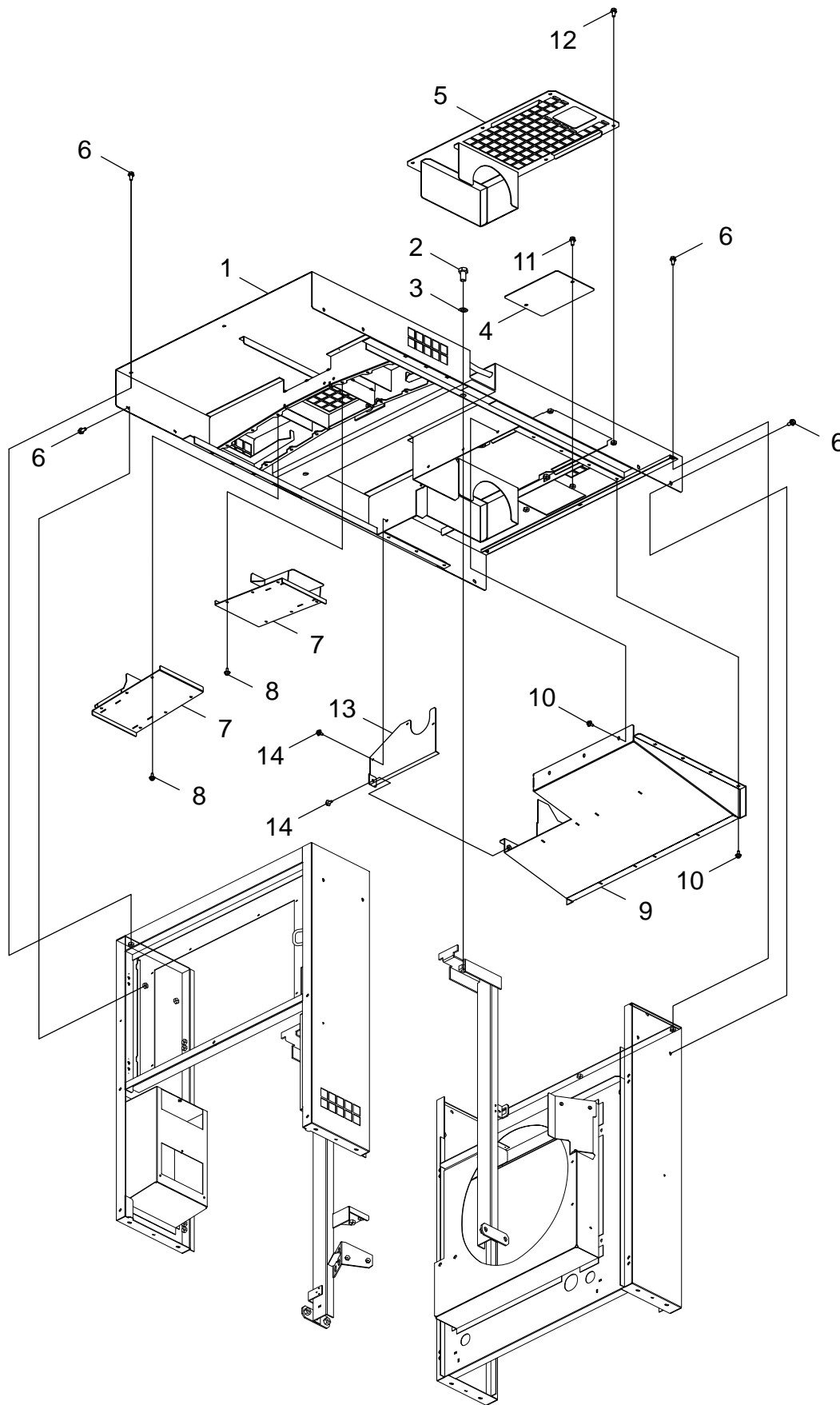
RIGHT ENCLOSURE



RIGHT ENCLOSURE

NO.	PART NUMBER	QTY.	DESCRIPTION	
1	M407000780	1	DOOR,RIGHT FRONT	D20401000001-D20401000064
2	M407000790	1	DOOR,RIGHT REAR	D20401000001-D20401000064
3	C701000440	1	LOCK COVER,A-838-A-3	
4	V541000350	1	LOCK COVER GASKET	
5	V265000290	4	FLANGE NUT,M8 SERRATED	
6	V205001260	4	BOLT,M8X15	
7	J485000280	2	HINGE	
8	G128000620	1	DUCT,AIR	D20401000001-D20401000064
9	V202000710	8	BOLT,M4X14	
10	J485000280	2	HINGE	
11	V205001260	4	BOLT,M8X15	
12	G128000630	1	DUCT,AIR	D20401000001-D20401000064
13	V202000710	6	BOLT,M4X14	
14	M407000900	1	DOOR,RIGHT	
15	G129000350	1	+ DUCT,AIR	
16	V264000220	10	+ FLANGE NUT,M6 SERRATED	
17	M407000920	1	DOOR,RIGHT	
18	G129000360	1	+ DUCT,AIR	
19	V264000220	8	+ FLANGE NUT,M6 SERRATED	

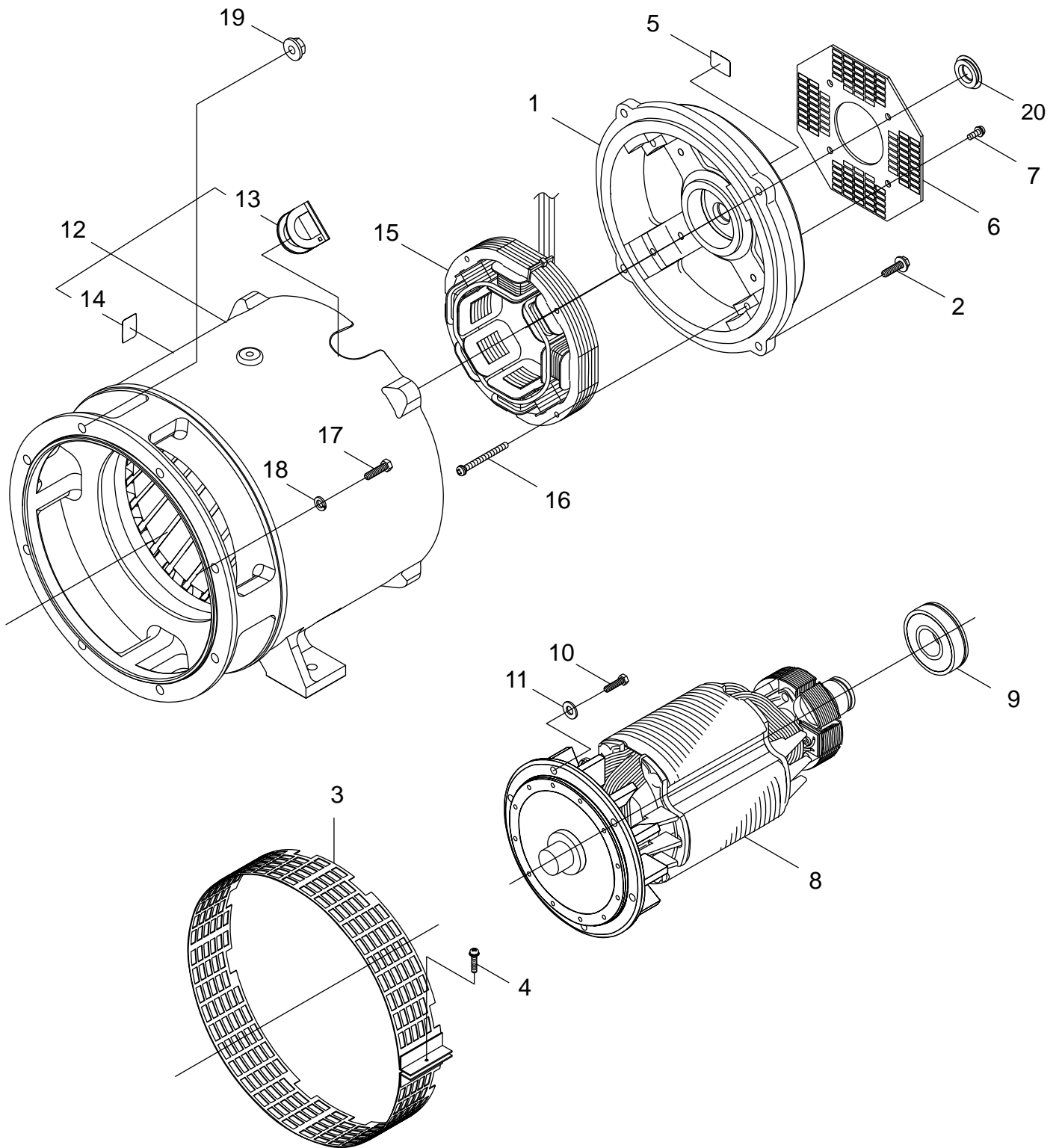
TOP ENCLOSURE



TOP ENCLOSURE

NO.	PART NUMBER	QTY.	DESCRIPTION
1	J495001070	1	ENCLOSURE FRAME,TOP
2	90010416030	2	BOLT,M16X30
3	V109000210	2	GASKET,W16
4	J480001700	1	LID,COVER
5	M471000400	1	COVER
6	V205001420	14	BOLT,M8X20-SPW
7	G128000600	2	DUCT,AIR
8	V204001090	12	BOLT,M6X16 FT SW
9	G128000610	1	DUCT,AIR
10	V204001090	10	BOLT,M6X16 FT SW
11	V205001420	2	BOLT,M8X20-SPW
12	V205001420	6	BOLT,M8X20-SPW
13	M471000410	1	COVER
14	V204001090	4	BOLT,M6X16 FT SW

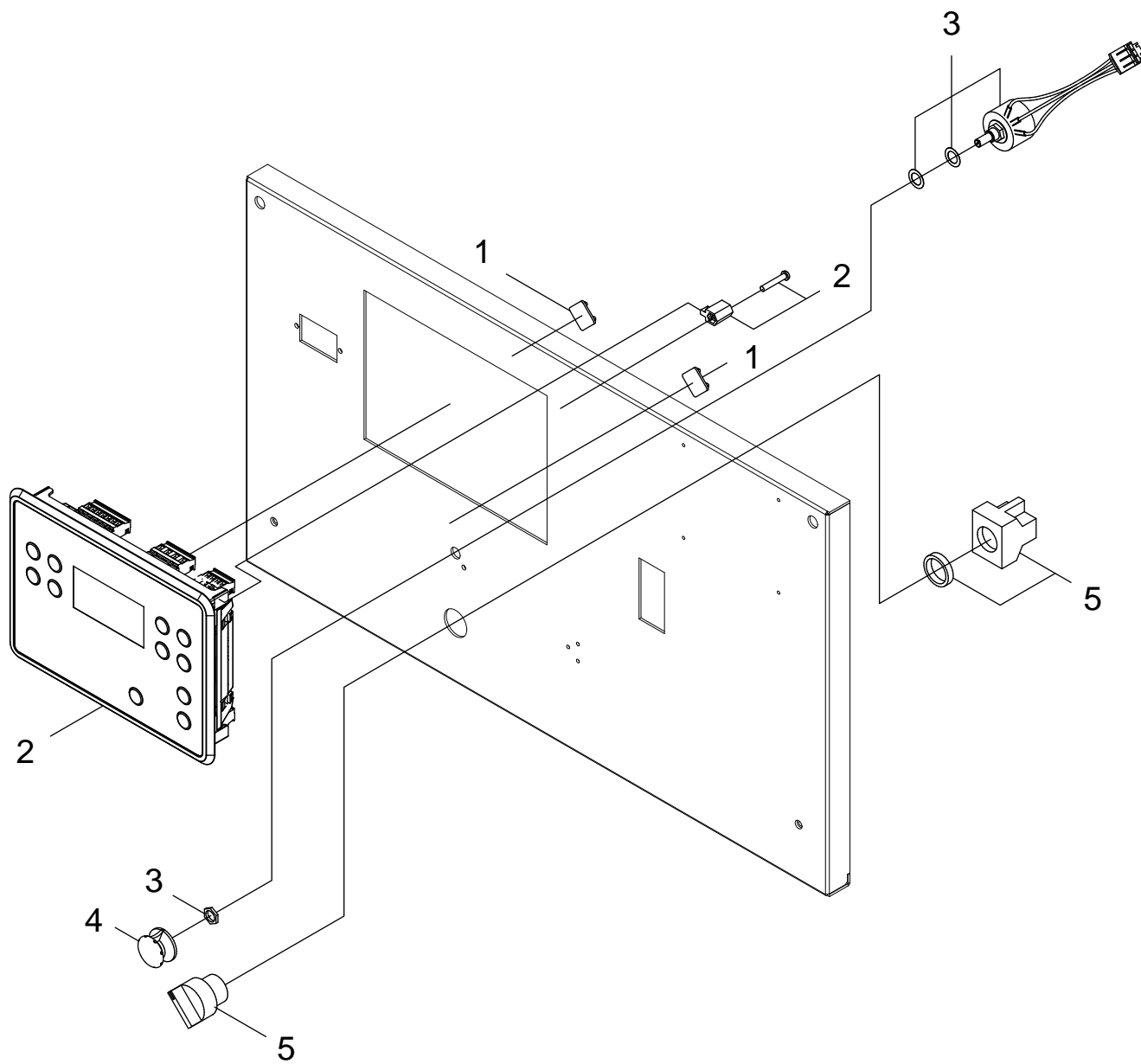
ALTERNATOR



ALTERNATOR

NO.	PART NUMBER	QTY.	DESCRIPTION
1	M305000601	1	HOUSING
2	9102210035	4	BOLT,M10X35 SW
3	A172001720	1	FAN COVER
4	9103104030	1	BOLT,M4X30 SW
5	M703000070	1	LABEL,THERMOMETER
6	J470004490	1	COVER
7	9103105012	4	BOLT,M5X12 SW
8	M102000730	1	ROTOR
9	V592000170	1	BEARING
10	9102708030	8	BOLT,M8X30 8T
11	90060500008	8	WASHER,M8 SPRING
12	A041001050	1	STATOR ASSEMBLY
13	V144000610	1	+ GROMMET
14	M703000020	1	+ LABEL THERMOMETER
15	A041000580	1	STATOR ASSEMBLY
16	9156405040	4	SCREW,5X40
17	9102710030	6	BOLT,M10X30 8T
18	90060500010	6	WASHER,M10 SPRING
19	V266000130	2	FLANGE NUT,M10 SERRATED
20	V145000810	1	GROMMET,CIRCULAR

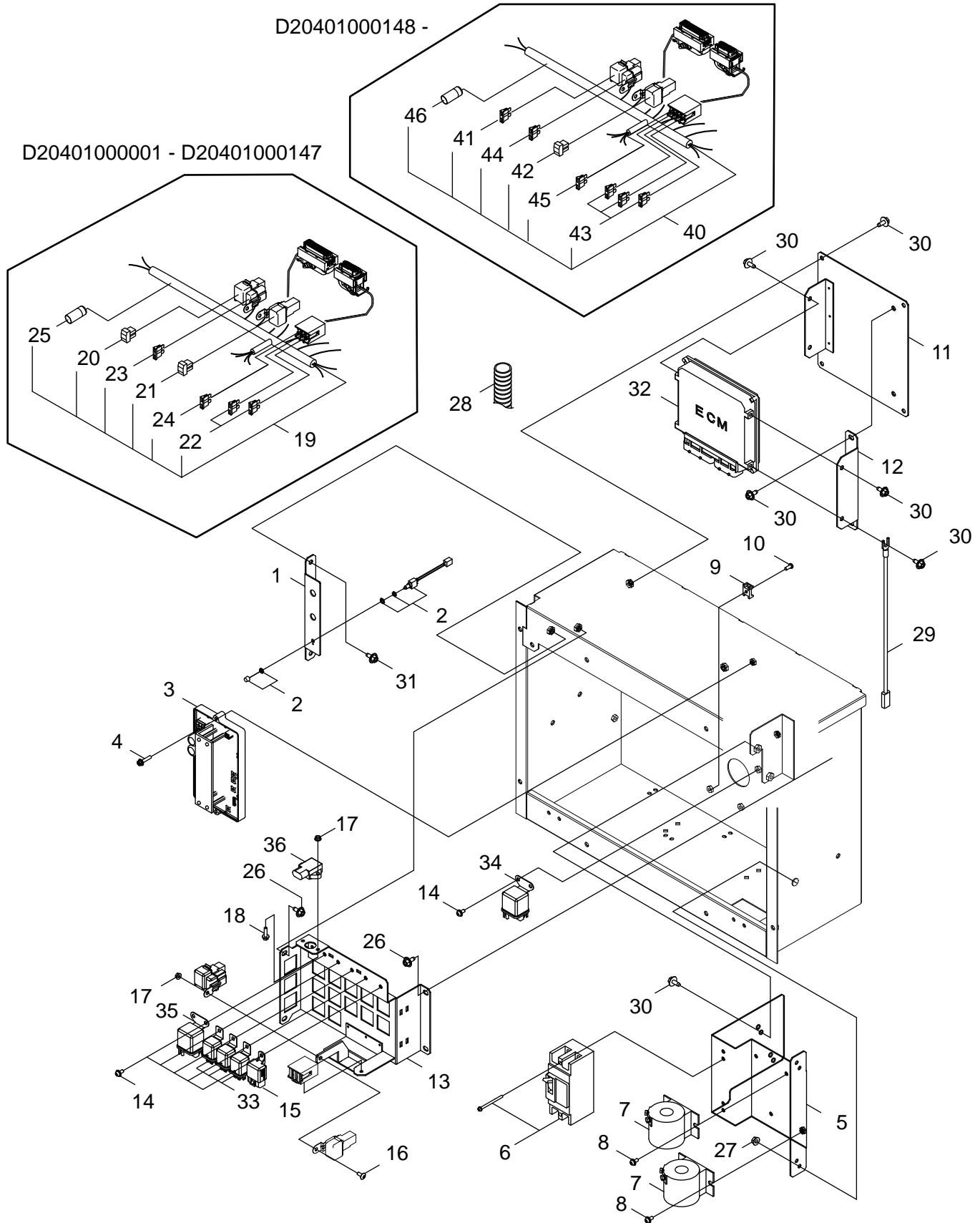
MAIN CONTROL PANEL



MAIN CONTROL PANEL

NO.	PART NUMBER	QTY.	DESCRIPTION	
1	M416000040	2	ADHESIVE CABLE TIE MOUNT	
2	G368000110	1	UNIT,DGK20FS VER1.1 CONTROL	D20401000001-D20401000147
2	G368000300	1	UNIT,CONTROL	D20401000148-D20401000238
2	G368000380	1	UNIT,CONTROL	D20401000239-
3	M112000010	1	VOLUME COMP	
4	E145000060	1	DIAL,VOLUME	
5	G334001790	1	SWITCH	

MAIN BREAKER AND CONTROL BOX

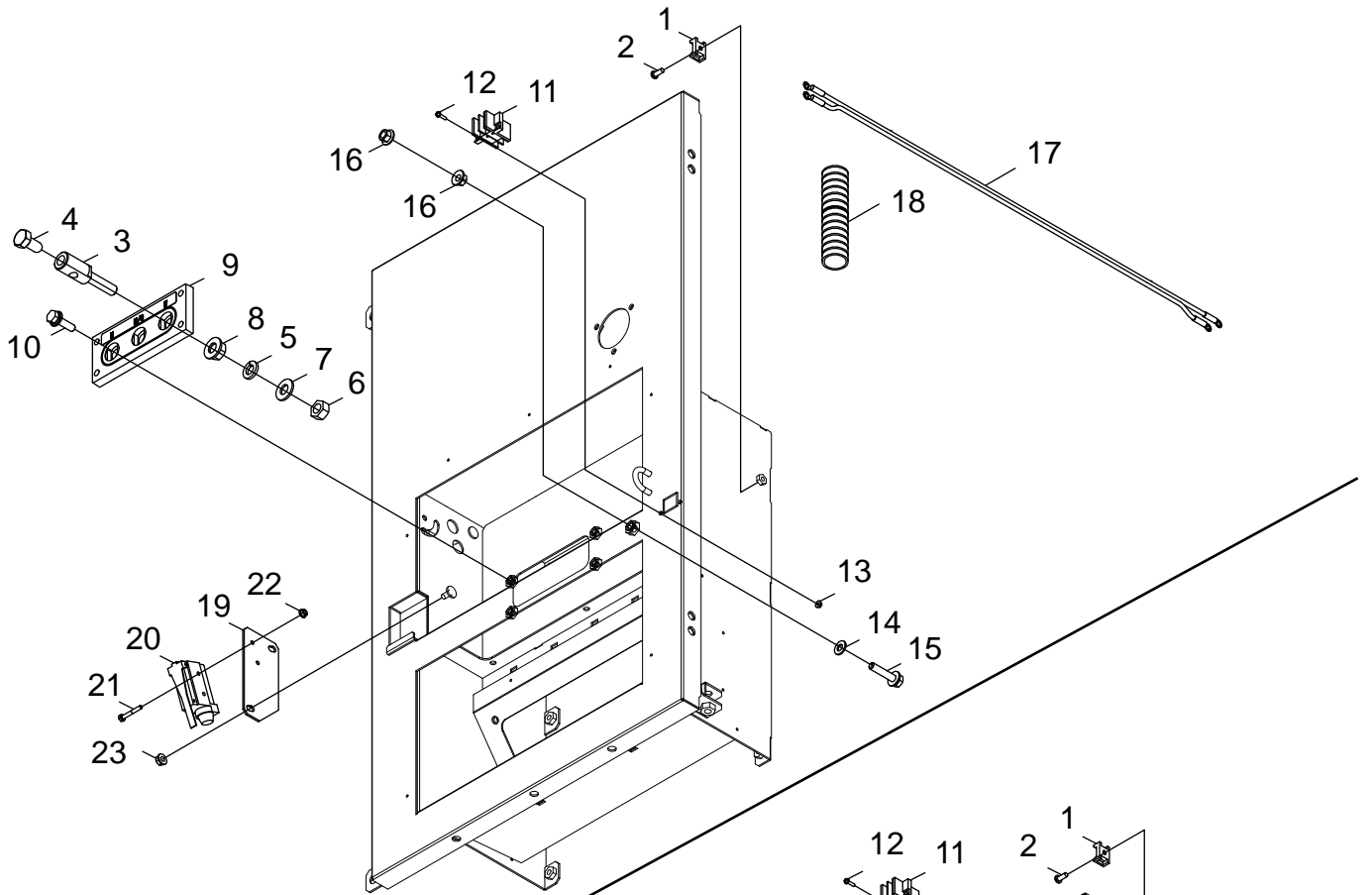


+ Denotes item is part of an assembly
 ++ Denotes item is part of a sub-assembly

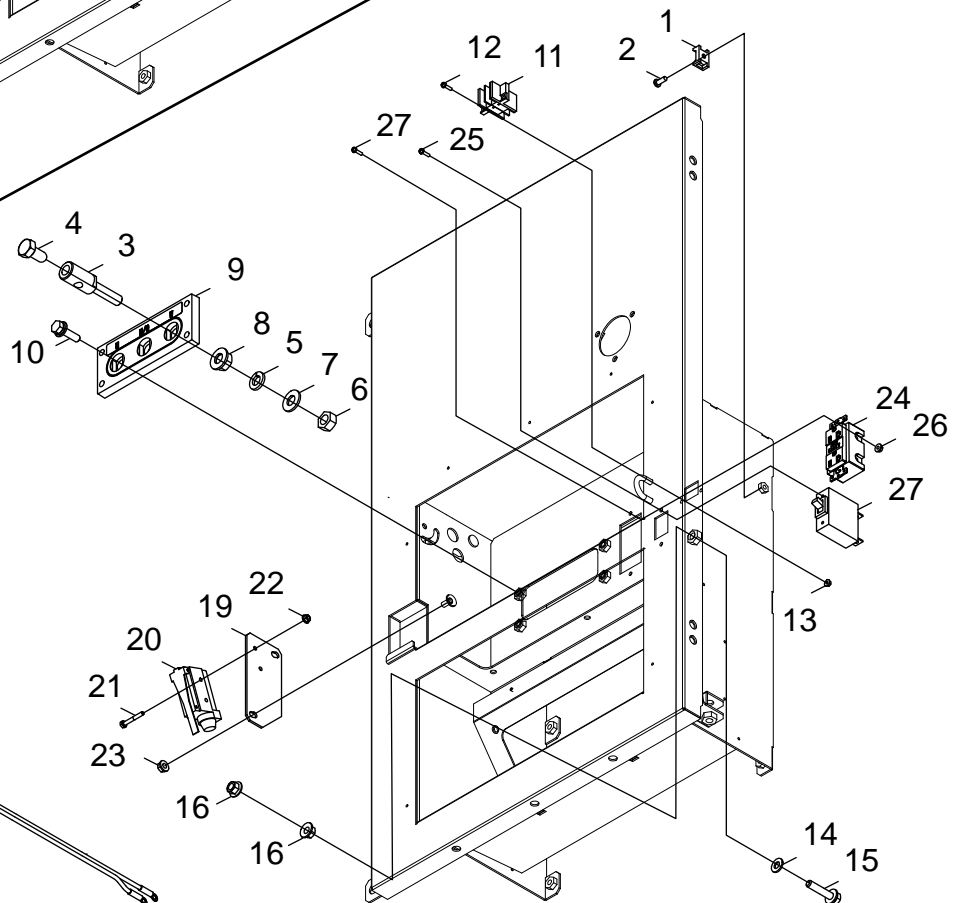
MAIN BREAKER AND CONTROL BOX

NO.	PART NUMBER	QTY.	DESCRIPTION	
1	C527001330	1	BRACKET,SWITCH MOUNTING	
2	G334001751	1	SWITCH	
3	G370001762	1	UNIT,AVR CONTROL	
4	9103605025	2	BOLT,M5X25 SW	
5	C528001050	1	STAY,BREAKER	
6	M126000390	1	BREAKER,ASSY	
7	M108000030	2	CT	
8	9156805012	4	SCREW,M5X12 W/SW	
9	M416000010	1	TIE MOUNT	
10	9134305012	1	SCREW,M5X12	
11	C527001301	1	ECM MOUNTING PLATE	
12	C527001310	1	ECM MOUNTING BRACKET	
13	C527001290	1	ENGINE RELAY MOUNTING BRACKET	
14	9156805012	8	SCREW,M5X12 W/SW	
15	G343000490	1	RELAY	
16	9146305012	1	SCREW,M5X12 TRUSS	
17	V263000330	3	FLANGE NUT,M5 SERRATED	
18	9103605020	2	BOLT,M5X20	
19	G363001120	1	HARNESS,WIRE	D20401000001-D20401000064
19	G364000530	1	HARNESS,WIRE	D20401000065-D20401000133
19	G363001120	1	HARNESS,WIRE	D20401000134-D20401000147
20	G350000240	1	+ FUSE,20A	D20401000001-D20401000147
21	G350000210	1	+ FUSE,60A	
22	G350000230	2	+ FUSE,10A	D20401000001-D20401000147
23	G350000270	1	+ FUSE,30A	
24	G350000220	1	+ FUSE,15A	
25	G347000020	1	+ DIODE	
26	V204001090	4	BOLT,M6X16 FT SW	
27	V264000220	2	FLANGE NUT,M6 SERRATED	
28	V475005950	1	TUBE,50XL200	
29	M384000610	1	LEAD	
30	V204001090	12	BOLT,M6X16 FT SW	
31	V204001090	2	BOLT,M6X16 FT SW	
32	I8975062130	1	CONTROL UNIT,ENG	
33	I5825500290	3	RELAY	
34	I8942481610	1	RELAY	
35	I8970119490	1	RELAY,GLOW PLUG	
36	I8972177780	1	SENSOR,BAROMETRICPRE	
40	G364000900	1	HARNESS,WIRE	D20401000148-
41	G350000190	1	+ FUSE	
42	G350000210	1	+ FUSE,60A	
43	G350000230	3	+ FUSE,10A	
44	G350000270	1	+ FUSE,30A	
45	G350000220	1	+ FUSE,15A	
46	G347000020	1	+ DIODE	

POWER OUTPUT TERMINAL



D20401000001 -
D20401000017

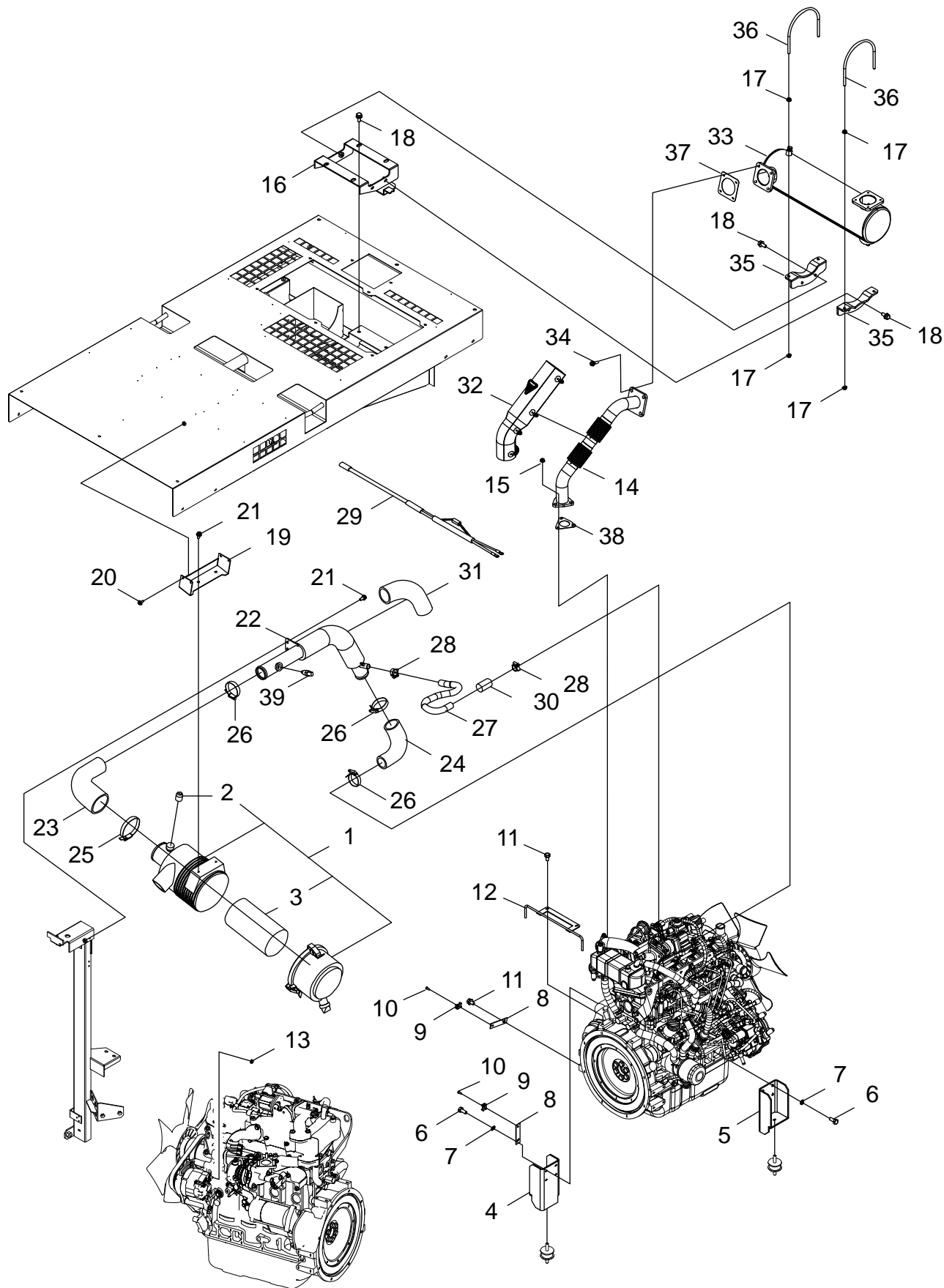


D20401000018 -

POWER OUTPUT TERMINAL

NO.	PART NUMBER	QTY.	DESCRIPTION	
1	M416000010	1	TIE MOUNT	
2	9134305012	1	SCREW,M5X12	
3	V227000010	3	TERMINAL POST,M12 STUD	
4	V207000090	3	BOLT,M12X25	
5	90060500012	3	WASHER,M12 SPRING	
6	9200512000	3	NUT,M12	
7	9222712000	3	WASHER,M12	
8	V268000060	3	FLANGE NUT,M12 SERRATED	
9	M307000310	1	PLATE,INST	
10	9102406030	4	BOLT SPW	
11	M308000680	1	BLOCK,TSU-281-2P TERMINAL	
12	9156403012	2	SCREW,M3X12 SW	
13	V261000010	2	FLANGE NUT,M3 SERRATED	
14	90060200008	1	WASHER,M8	
15	9103408040	1	BOLT SW	
16	V265000450	2	NUT,8	
17	G363001140	1	HARNESS,WIRE	
18	V475008650	1	TUBE	
19	C528000181	1	MOUNTING BRACKET,LIMITER SWITCH	
20	G334000730	1	LIMIT SWITCH	
21	9103104030	2	BOLT,M4X30 SW	
22	V262000190	2	FLANGE NUT,M4 SERRATED	
23	V264000220	2	FLANGE NUT,M6 SERRATED	
24	C154000491	1	RECEPTACLE,GFCI 20A,125V	D20401000018-
25	9156404012	2	SCREW,M4X12 SW	D20401000018-
26	V262000190	2	FLANGE NUT,M4 SERRATED	D20401000018-
27	C137000080	1	CIRCUIT BREAKER,20A	D20401000018-

AIR AND MUFFLER ASSEMBLY

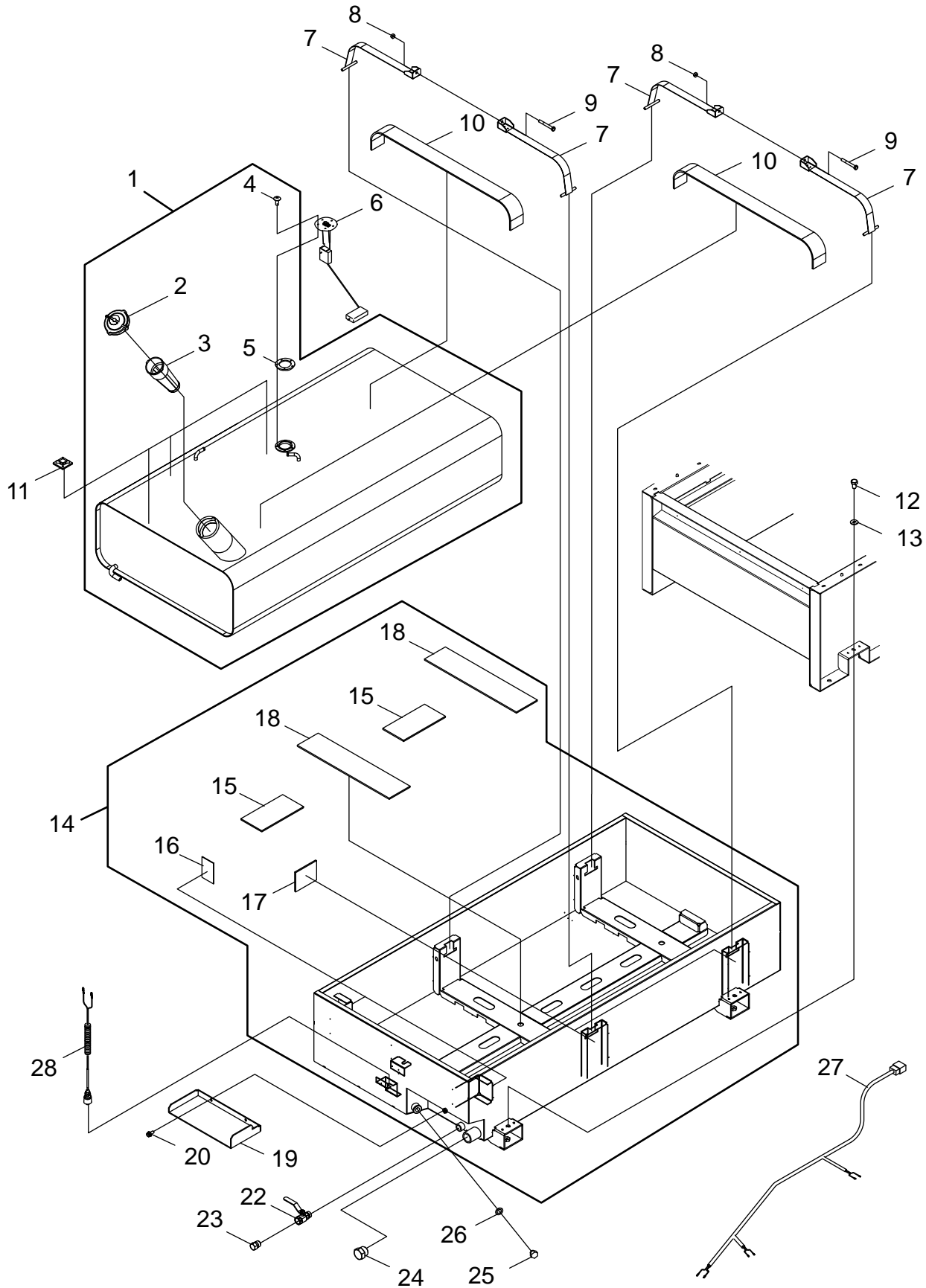


+ Denotes item is part of an assembly
 ++ Denotes item is part of a sub-assembly

AIR AND MUFFLER ASSEMBLY

NO.	PART NUMBER	QTY.	DESCRIPTION	
1	A027000170	1	CLEANER,ASM AIR	
2	M609000010	1	+ INDICATOR,RFX018171	
3	A226002000	1	+ ELEMENT,AIR FILTER	
4	G121000700	1	ENGINE MOUNT	
5	G121000710	1	ENGINE MOUNT	
6	9102710025	8	BOLT,M10X25 8T	
7	90060500010	8	WASHER,M10 SPRING	
8	C519002461	2	BRACKET,GENERATOR HOUSING MOUNTING	
9	M416000010	2	TIE MOUNT	
10	9134305012	2	SCREW,M5X12	
11	90014710020	3	BOLT,M10X20	
12	C519005400	1	BRACKET,SUPPORT	
13	V264000220	1	FLANGE NUT,M6 SERRATED	
14	G231001160	1	PIPE,EXHAUST	D20401000001-D20401000017
14	G231001650	1	PIPE,EXHAUST	D20401000018-
15	V265000290	3	FLANGE NUT,M8 SERRATED	
16	C527001570	1	STAY	
17	V265000290	8	FLANGE NUT,M8 SERRATED	
18	V206000800	8	BOLT,M10X25-SPW	
19	C527001580	1	BRACKET,AIR CLEANER MOUNTING	
20	V204001090	4	BOLT,M6X16 FT SW	
21	V205001170	4	BOLT,M8X20-SPW	
22	V186000720	1	JOINT,PIPE	D20401000001-D20401000017
22	V186001000	1	JOINT,PIPE	D20401000018-
23	G213000640	1	HOSE,AIR	
24	G213000650	1	HOSE,AIR	
25	V495003140	1	BAND,SMS2298/2299	
26	V495001700	3	HOSE CLAMP	
27	G213000660	1	HOSE,AIR	
28	V495001710	2	CLAMP,SMS2298/2299 HOSE	
29	C526000220	1	HEATER	D20401000001-D20401000064
29	C526000270	1	HEATER,30HV-2SJ	D20401000065-D20401000133
29	C526000280	1	HEATER (PGL10-1SJ)	D20401000134-
30	V477000041	1	TUBE,M10025XL350	
31	V477000050	1	TUBE,M10076XL340	
32	C417000190	1	INSULATOR,HEATER	D20401000018-
33	I8982353891	1	CONVERTER	
34	I8980435280	2	BOLT,M8X28 FLANGE CONV BRKT	
35	I8982284330	2	SUPPORT,BRKT	
36	I8982103230	2	BOLT,M8 U-BOLT CONV BRKT	
37	I8973731080	1	GASKET,EXH PIPE	
38	I8973679180	1	EGR PIPE GASKET	
39	I8121468300	1	SENSOR:INTAKEAIRTEMP	

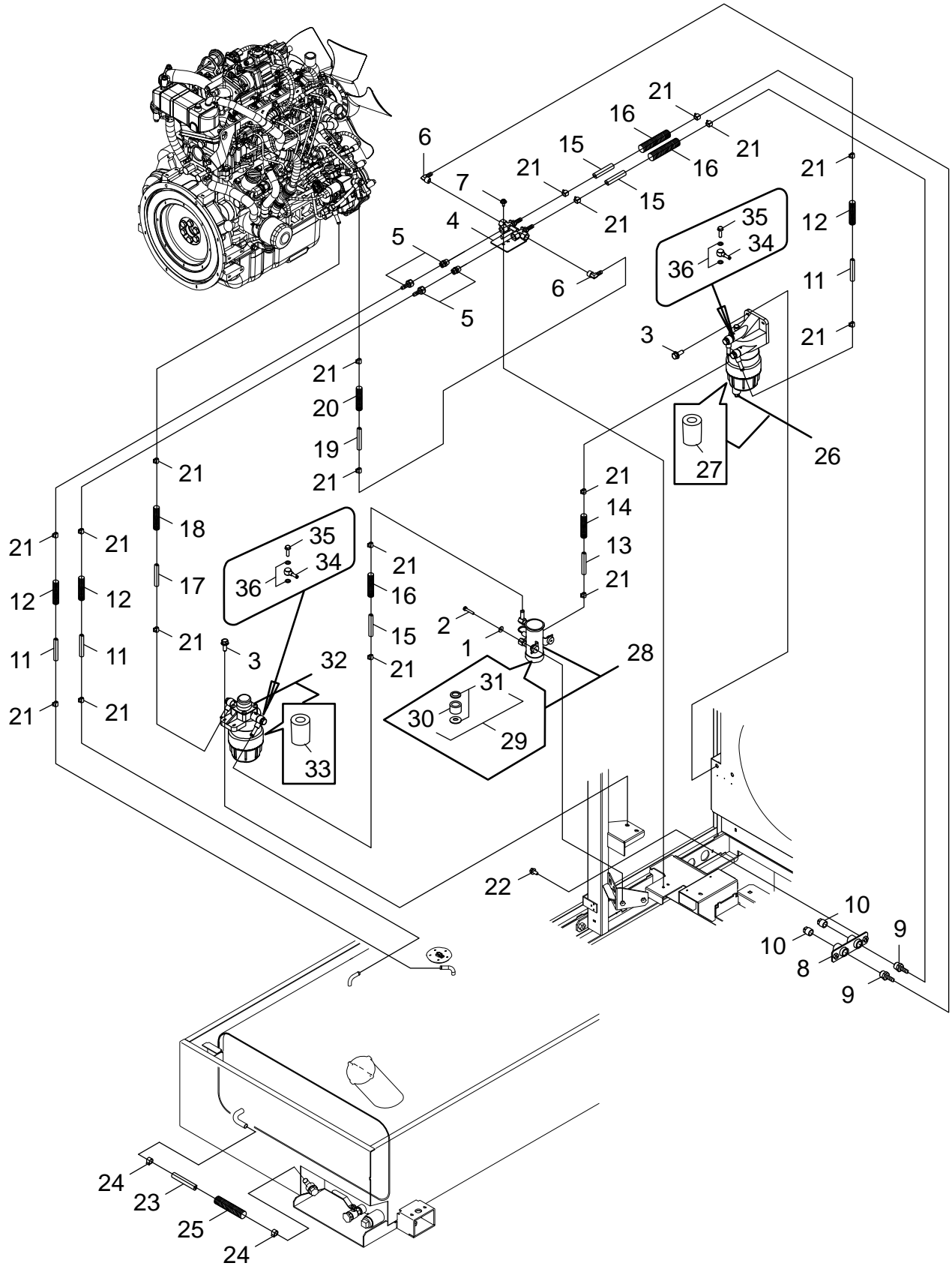
FUEL TANK OIL CONTAINMENT



FUEL TANK OIL CONTAINMENT

NO.	PART NUMBER	QTY.	DESCRIPTION
1	G250001160	1	TANK,FUEL
2	G255000010	1	+ TANK CAP
3	A369000160	1	+ STRAINER
4	9156405010	5	+ SCREW,5X10
5	K221000030	1	+ GASKET,FUEL TANK GAUGE
6	E325000470	1	GAUGE,LEVEL
7	A392000250	4	BAND,FUEL TANK MOUNTING
8	V265000290	2	FLANGE NUT,M8 SERRATED
9	9100208080	2	BOLT,M8X80
10	V420003920	2	CUSHION
11	M416000040	3	ADHESIVE CABLE TIE MOUNT
12	V207000530	4	BOLT,B-12X20
13	V309000220	4	WASHER,W-12 CIRCULAR
14	J447001550	1	GUARD
15	V420003060	2	+ PAD
16	M700000010	2	+ PAD
17	V420003050	2	+ PAD
18	V420003930	2	+ CUSHION
19	J447001160	1	GUARD
20	V205001420	2	BOLT,M8X20-SPW
22	E265000310	1	VALVE,BALL (WITH HANDLE)
23	E328000330	1	PLUG,1/2" DRAIN
24	E328000340	1	DRAIN PLUG
25	E328000140	1	DRAIN PLUG
26	V106000110	1	SEAL WASHER
27	G363001130	1	HARNESS,WIRE FLOAT SWITCH
28	G334001360	1	SWITCH

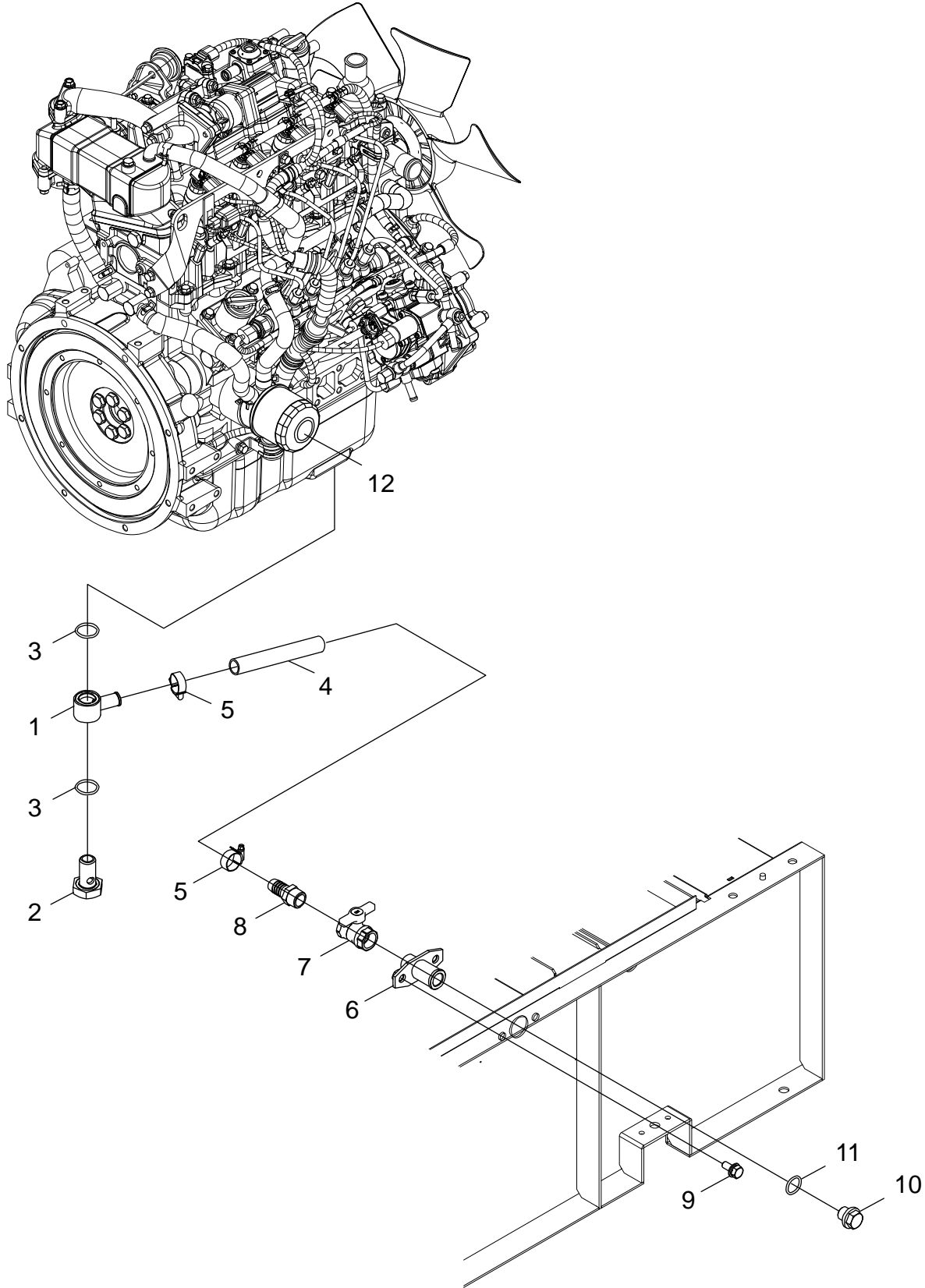
FUEL LINES



FUEL LINES

NO.	PART NUMBER	QTY.	DESCRIPTION
1	V345000050	2	WASHER
2	9102206035	2	BOLT,M6X35
3	9102410030	4	BOLT,M10X30-SPW
4	E265000121	1	VALVE
5	V187000290	2	NIPPLE,R3/8 - G3/8 HOSE
6	E237000270	2	ELBOW,R3/8 HOSE
7	V204001090	2	BOLT,M6X16 FT SW
8	C153000560	1	SOCKET,G1/2 - G1/2
9	V187000110	2	NIPPLE,G1/2 HOSE
10	E328000110	2	DRAIN PLUG
11	K401000480	3	HOSE
12	V475006080	3	TUBE
13	K401000750	1	HOSE,9X16X520
14	V475005300	1	TUBE,19.5X23.8X450
15	K401000550	3	HOSE
16	V475006020	3	TUBE
17	K401000310	1	HOSE
18	V475005650	1	TUBE
19	K401000350	1	HOSE,9X16X1000
20	V475005530	1	TUBE,19.5X23.8X950
21	V495001660	18	HOSE CLAMP
22	V205001420	2	BOLT,M8X20-SPW
23	K403000570	1	HOSE,13
24	V495003210	2	BAND
25	V475009020	1	TUBE,22XL250
26	I8982369910	1	FILTER ASM,FUEL
27	I8982402790	1	+ PRE FUEL FILTER
28	I8980682752	1	PUMP ASM,FUEL FEED
29	I8981731650	1	+ REPAIR KIT,FUEL PUMP
30	I8980714010	1	++ FILTER,FUEL PUMP
31	I8980714040	2	++ GASKET KIT,FUEL PUMP
32	I8982369900	1	FILTER ASM,FUEL
33	I8982402800	1	+ FUEL FILTER
34	I8981263320	1	PIPE,FUEL
35	I1096751930	4	EYE BOLT,FUEL FILTER
36	I8982513450	8	STRAINER:JOINT BOLT

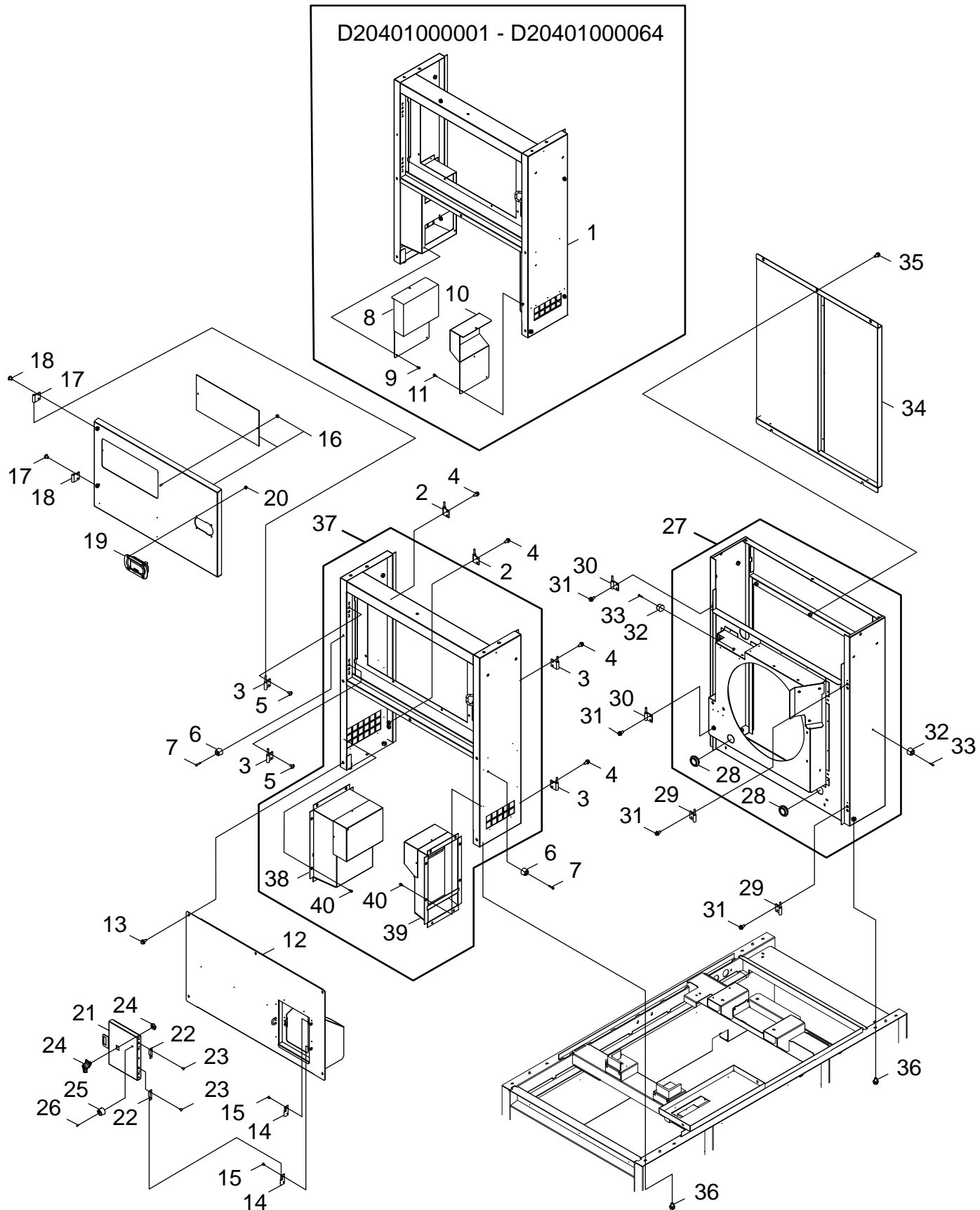
OIL LINES



OIL LINES

NO.	PART NUMBER	QTY.	DESCRIPTION
1	K313000050	1	FIXTURE,OIL DRAIN HOSE JOINT
2	V242000410	1	BOLT,OIL DRAIN EYE
3	V581000760	2	RING,E-3030S OIL DRAIN O
4	K405000540	1	HOSE,19X1B L280
5	V495001710	2	CLAMP,SMS2298/2299 HOSE
6	C153000180	1	SOCKET,M20 - R3/4 OIL DRAIN
7	E265000130	1	COCK,Rc3/4 - Rc3/4
8	V187000130	1	NIPPLE,R3/4 HOSE
9	V206000800	2	BOLT,M10X25-SPW
10	E328000120	1	DRAIN PLUG
11	I1096230570	1	GASKET,OIL DRAIN PLUG
12	I8944567412	1	OILELEMENT

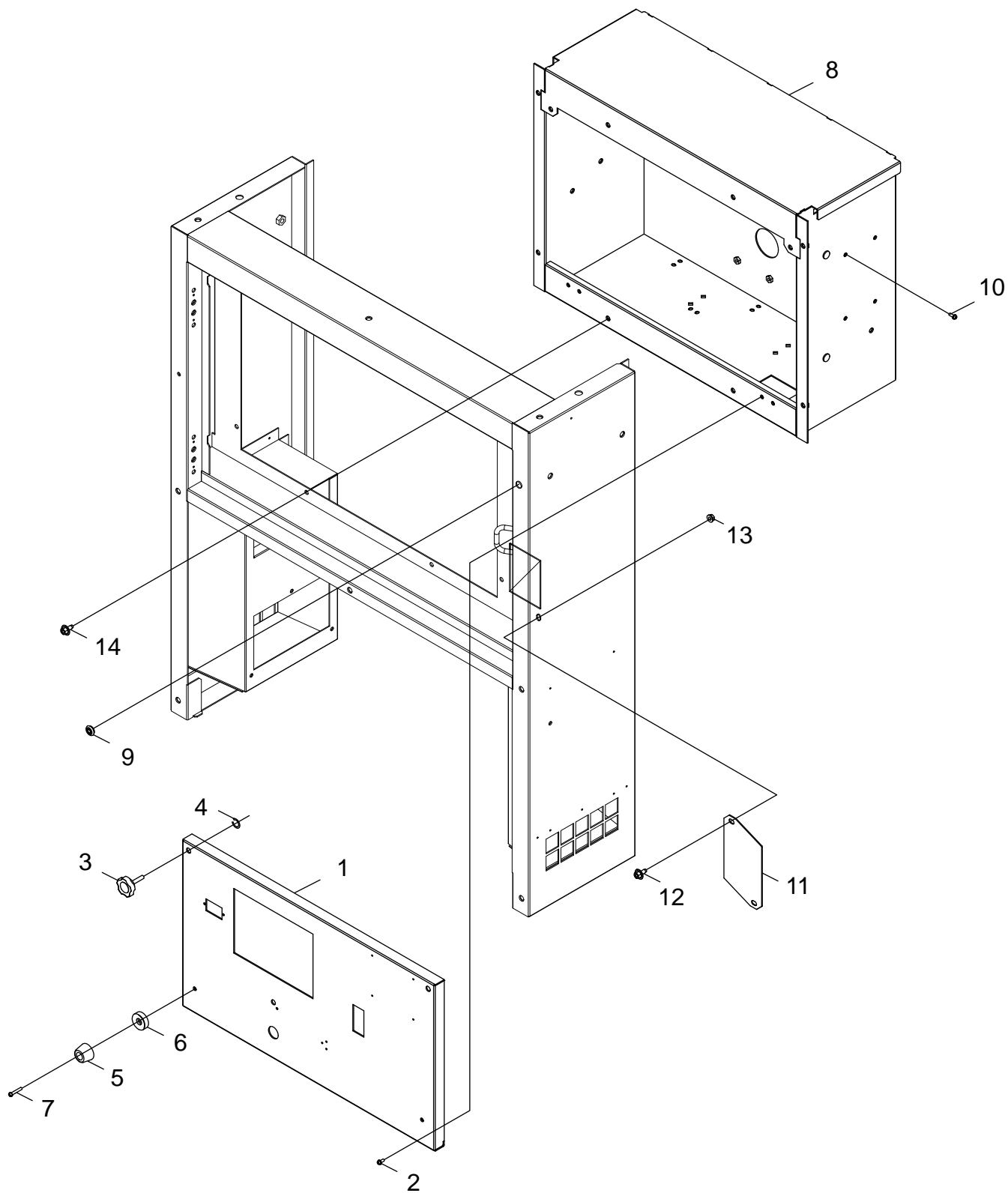
ENCLOSURE FRAME



ENCLOSURE FRAME

NO.	PART NUMBER	QTY.	DESCRIPTION	
1	J495001060	1	ENCLOSURE FRAME,FRONT COVER	D20401000001-D20401000064
2	J485000260	2	HINGE	
3	J485000250	4	HINGE	
4	V205001260	8	BOLT,M8X15	
5	9131808020	4	SCREW TRUSS	
6	V420003070	2	STAND,RUBBER	
7	9138104020	2	SCREW,4X20 TAPPING	
8	G128000580	1	DUCT,AIR	D20401000001-D20401000064
9	V202000710	4	BOLT,M4X14	D20401000001-D20401000064
10	G128000590	1	DUCT,AIR	D20401000001-D20401000064
11	V202000710	4	BOLT,M4X14	D20401000001-D20401000064
12	J503000290	1	PANEL,FRONT	
13	V205001420	5	BOLT,M8X20-SPW	
14	J485000310	2	HINGE	
15	9144704012	4	SCREW,4X12 TAPPING	
16	M040000590	1	FRONT DOOR,ASM	
17	J485000280	2	HINGE	
18	9131808020	4	SCREW TRUSS	
19	C701000420	1	LOCK COVER	
20	V264000220	4	FLANGE NUT,M6 SERRATED	
21	M471000190	1	FUEL FILL COVER	
22	J485000330	2	HINGE	
23	9144704012	4	SCREW,4X12 TAPPING	
24	C701001110	1	HANDLE,C319A2	
25	V420003070	1	STAND,RUBBER	
26	9138104020	1	SCREW,4X20 TAPPING	
27	J495000350	1	ENCLOSURE FRAME	
28	V145000720	2	+ GROMMET,CIRCULAR	
29	J485000260	2	HINGE	
30	J485000250	2	HINGE	
31	V205001260	8	BOLT,M8X15	
32	V420003070	2	STAND,RUBBER	
33	9138104020	2	SCREW,4X20 TAPPING	
34	M415001100	1	PLATE,REAR	
35	V205001420	5	BOLT,M8X20-SPW	
36	V206000800	8	BOLT,M10X25-SPW	
37	J496000090	1	ENCLOSURE FRAME	D20401000065-
38	G129000380	1	+ DUCT,AIR	D20401000065-
39	G129000390	1	+ DUCT,AIR	D20401000065-
40	V264000220	16	+ FLANGE NUT,M6 SERRATED	D20401000065-

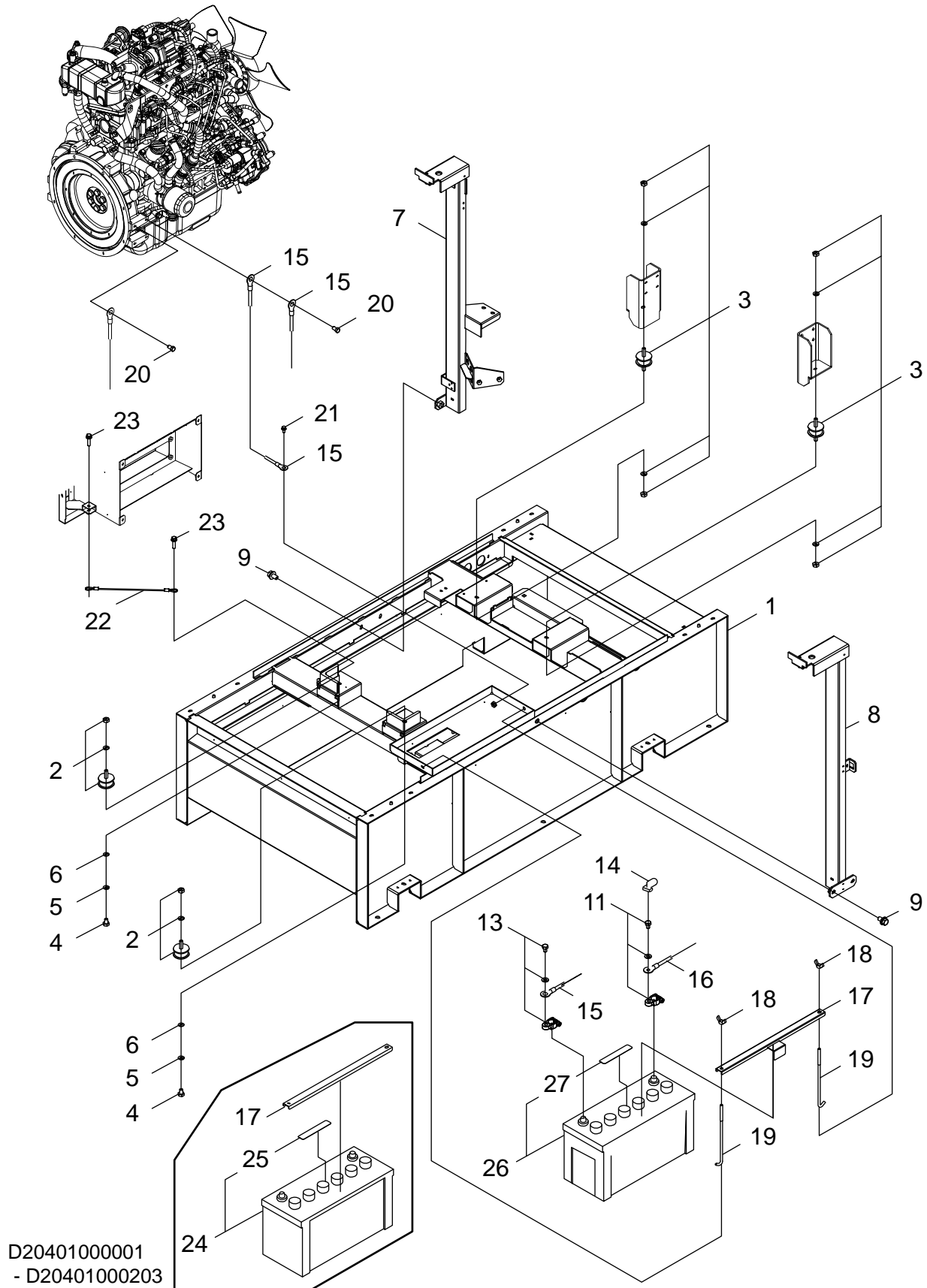
FRONT ENCLOSURE



FRONT ENCLOSURE

NO.	PART NUMBER	QTY.	DESCRIPTION
1	C165000570	1	PANEL,OPERATION
2	9156404010	4	SCREW,M4X10 W/SW
3	M613000020	2	OPERATION PANEL ACCESS KNOB
4	V583000230	2	RING,U
5	V420003070	2	STAND,RUBBER
6	V420003100	2	STAND,RUBBER
7	9134104025	2	SCREW,M4X25 SW
8	J430001440	1	CONTROL BOX
9	V144000460	1	GROMMET
10	9156404012	4	SCREW,M4X12 SW
11	M470003710	1	COVER,SWITCH
12	V204001090	2	BOLT,M6X16 FT SW
13	V264000220	2	FLANGE NUT,M6 SERRATED
14	V204001090	8	BOLT,M6X16 FT SW

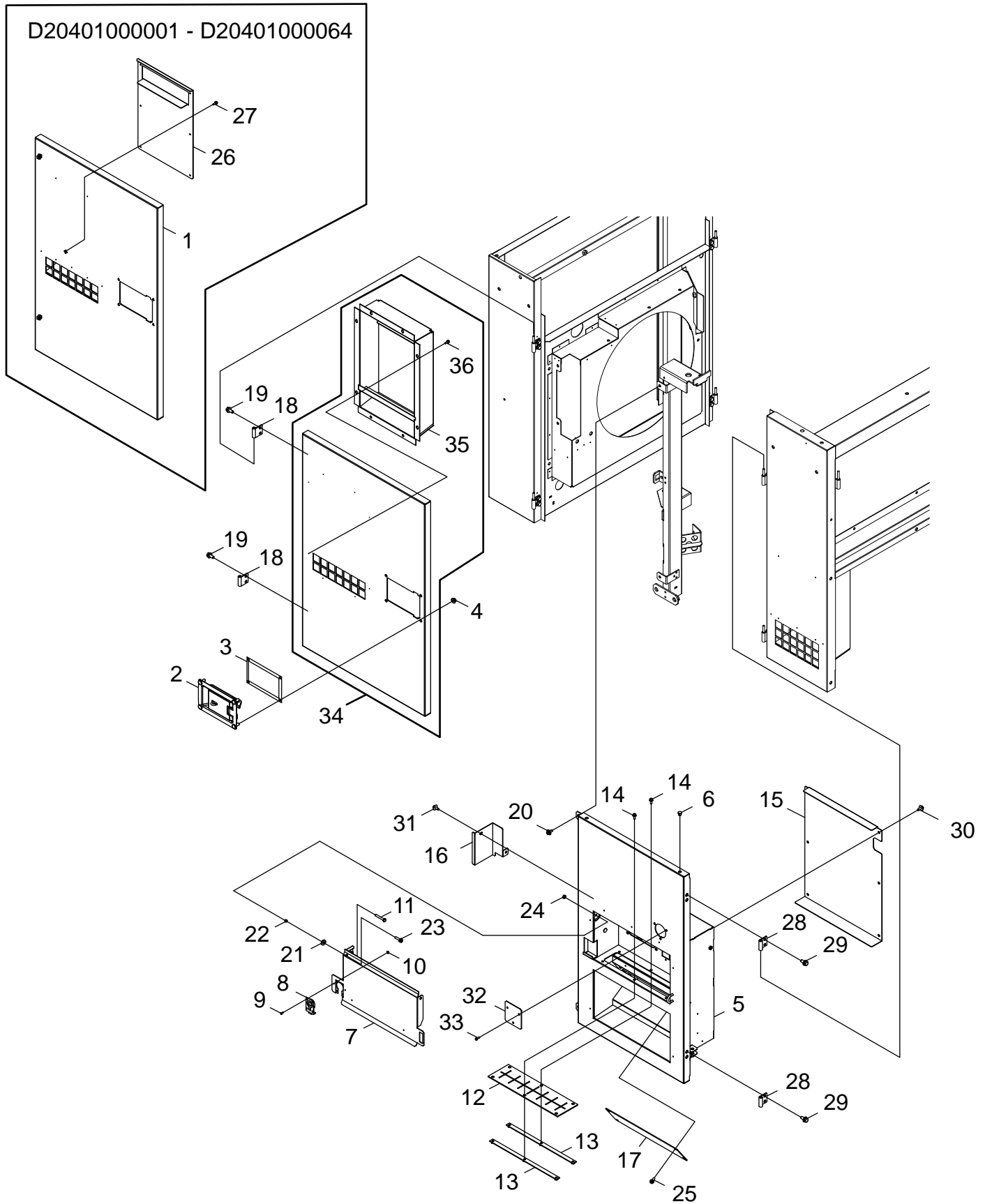
BASE FRAME



BASE FRAME

NO.	PART NUMBER	QTY.	DESCRIPTION	
1	J404001170	1	FRAME BASE	
2	V404000170	2	CUSHION,10	
3	V404000140	2	MOTOR MOUNT RUBBER ISOLATOR ASSY	
4	9100010016	2	BOLT,M10X16	
5	90060500010	2	WASHER,M10 SPRING	
6	90061700010	2	WASHER,M10	
7	J415001070	1	BRACKET,LEFT SIDE ENCLOSURE FRAME	
8	J415001080	1	BRACKET,RIGHT SIDE ENCLOSURE FRAME	
9	9103412025	4	BOLT,M12X25	
11	V486000201	1	TERMINAL,LEAD	
13	V486000211	1	TERMINAL,LEAD	
14	G305000040	1	TERMINAL CAP (RED)	
15	M387000250	2	LEAD	
16	M387000060	1	LEAD	
17	G303000341	1	HOLDER,BATTERY	D20401000001-D20401000203
17	G303000640	1	HOLDER,BATTERY	D20401000204-
18	9219008000	2	NUT,M8 WING	
19	V240000240	2	BOLT,HOOK	
20	90014710020	2	BOLT,M10X20	
21	V205001170	1	BOLT,M8X20-SPW	
22	C617000550	1	STOPPER,DOOR	
23	9102408035	2	BOLT,M8X35 W/SW	
24	V046000200	1	BATTERY,ASM	D20401000001-D20401000203
25	X505010410	1	+ LABEL,PROPOSITION65/BATTERIES CAUTION	
26	V046000280	1	BATTERY,ASM	D20401000204-
27	X564001320	1	+ LABEL,BATTERY CAUTION	

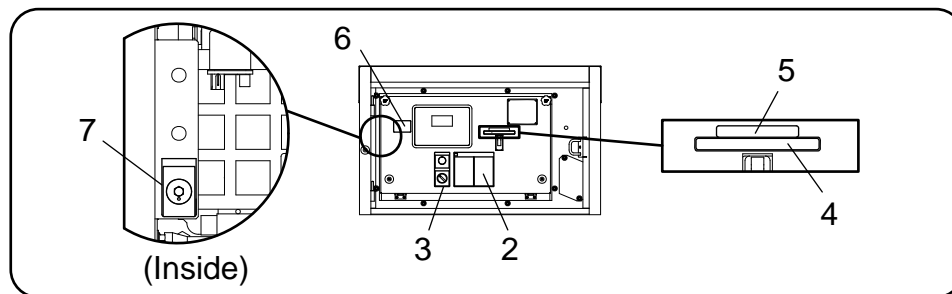
LEFT ENCLOSURE



LEFT ENCLOSURE

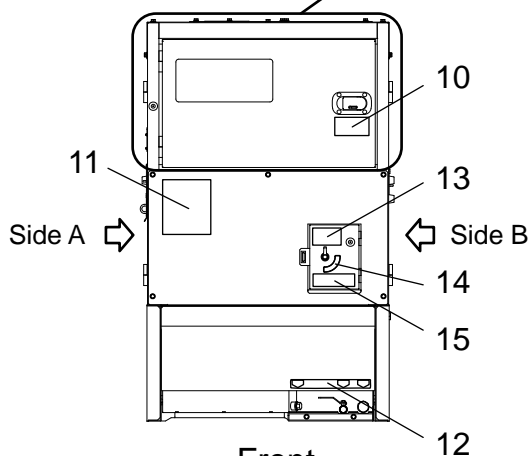
NO.	PART NUMBER	QTY.	DESCRIPTION	
1	M404001700	1	DOOR,LEFT REAR	D20401000001-D20401000064
2	C701000440	1	LOCK COVER,A-838-A-3	
3	V541000350	1	LOCK COVER GASKET	
4	V265000290	4	FLANGE NUT,M8 SERRATED	
5	M409001480	1	DOOR,LEFT FRONT SIDE	D20401000001-D20401000017
5	M409001540	1	DOOR,SIDE	D20401000018-
6	V162000520	2	PLUG,CP-30-HP-3	
7	M471000420	1	COVER	
8	C390000050	1	LATCH	
9	90027303012	4	SCREW,3X12	
10	V261000010	4	FLANGE NUT,M3 SERRATED	
11	9100206040	1	BOLT,M6X40	
12	J447001560	1	GUARD	
13	C444000110	2	SUPPORT,GUARD	
14	9103405016	6	BOLT,M5X16	
15	M472000580	1	COVER,TERMINAL BACK	
16	M471000161	1	COVER	
17	J500001380	1	PANEL	
18	J485000280	2	HINGE	
19	V205001260	4	BOLT,M8X15	
20	V204001090	2	BOLT,M6X16 FT SW	
21	V420003160	2	BUSHING,T4X8.2X18 RUBBER	
22	V353000530	2	COLLAR,6XL5	
23	9103606025	2	BOLT SW,M6X25	
24	V264000220	2	FLANGE NUT,M6 SERRATED	
25	V204001610	4	BOLT,M6X165-SPW	
26	G128000640	1	DUCT,AIR	D20401000001-D20401000064
27	V202000710	6	BOLT,M4X14	D20401000001-D20401000064
28	J485000280	2	HINGE	
29	V205001260	4	BOLT,M8X15	
30	V204001090	6	BOLT,M6X16 FT SW	
31	V204001090	2	BOLT,M6X16 FT SW	
32	J503000230	1	PANEL	
33	9154204014	3	SCREW	
34	M405000120	1	DOOR,LEFT	D20401000065-
35	G129000370	1	+ DUCT,AIR	D20401000065-
36	V264000220	8	+ FLANGE NUT,M6 SERRATED	D20401000065-

SHINDAIWA LABELS

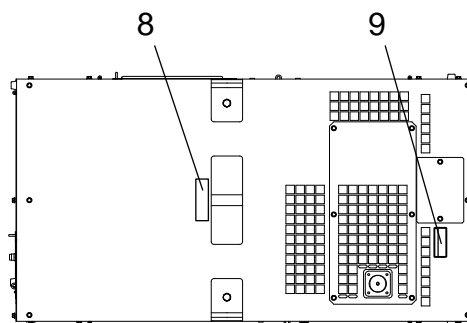


(Inside)

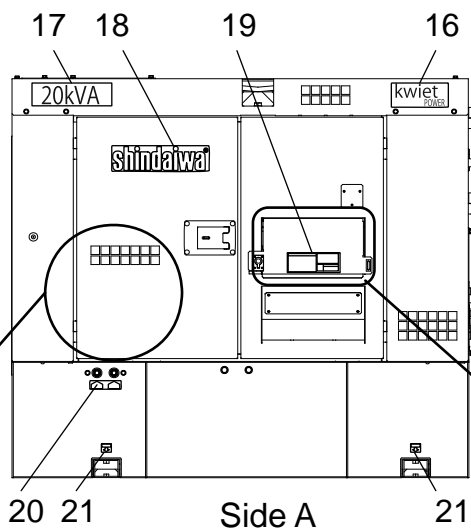
(Cover Open)



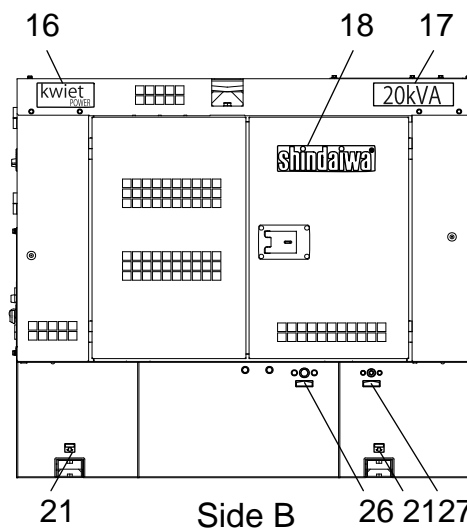
Front



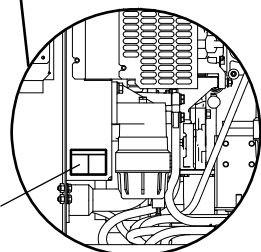
Top



Side A

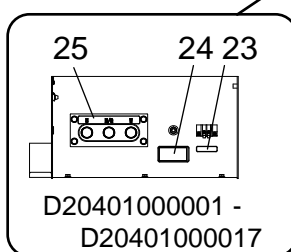


Side B



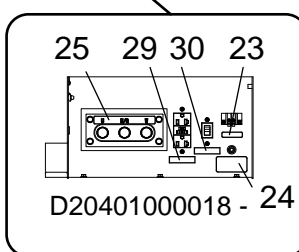
22

(Inside)

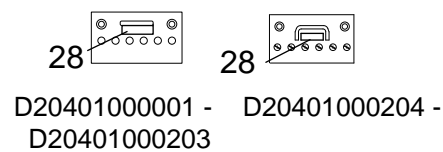


D2040100001 - D2040100017

(Cover Open)



D2040100018 - 24



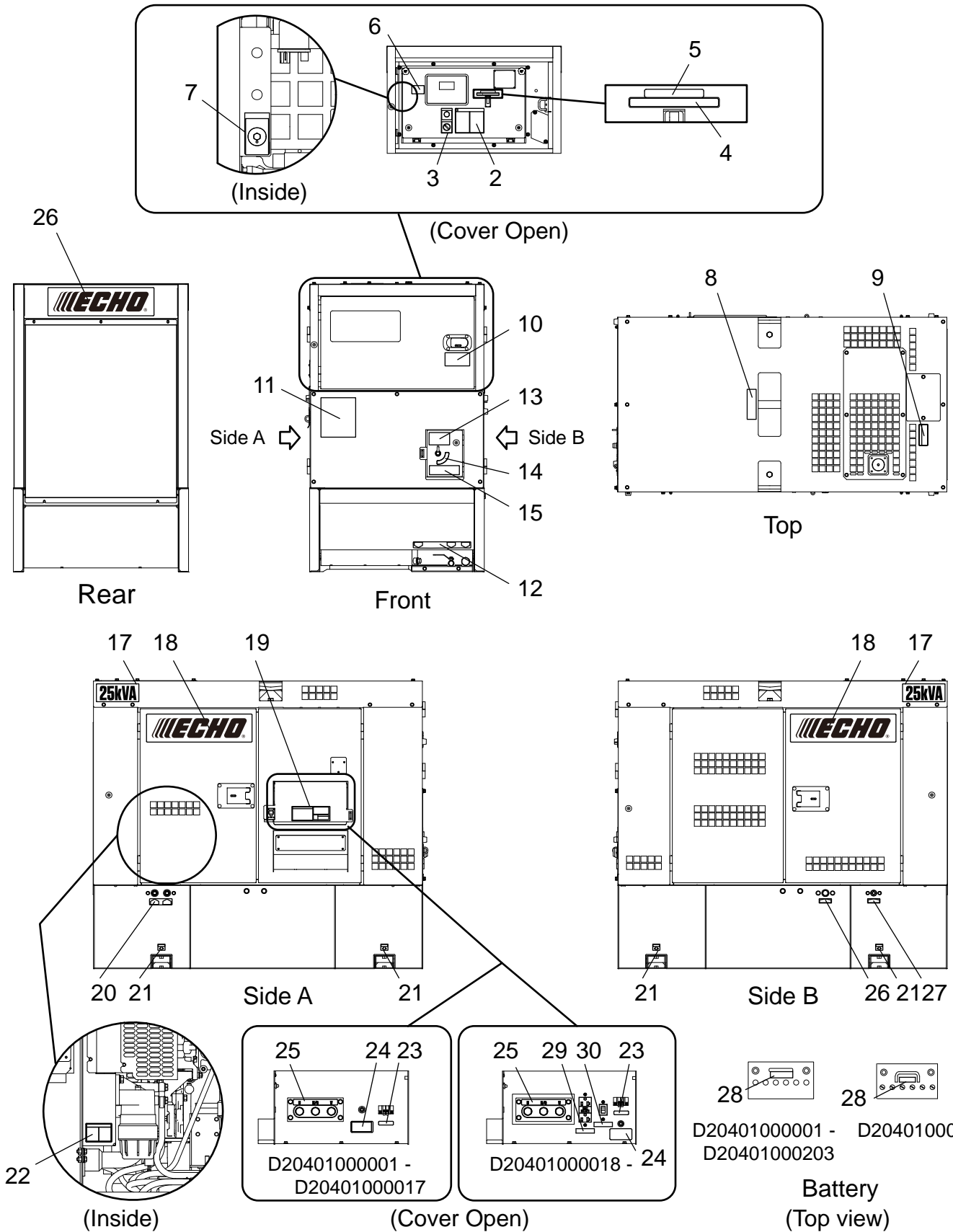
D2040100001 - D20401000204 - D20401000203

Battery (Top view)

SHINDAIWA LABELS

NO.	PART NUMBER	QTY.	DESCRIPTION	
2	M709000500	1	LABEL,INST DIGITAL CONTROL	
3	M709000190	1	LABEL,INST DIGITAL CONTROL	
4	M709000060	1	LABEL,INST	
5	M704001530	1	LABEL,INST	
6	X586000010	1	LABEL	
7	M709000490	1	LABEL,INST MEMORY CLEAR	
8	X505007550	1	LABEL,WARNING:INJURY CAUTION	
9	X505007840	1	LABEL,CAUTION:GM SPEC LLC	
10	X505010400	1	LABEL,PROPOSITION65/OPERATING CAUTION	
11	X564001310	1	LABEL,CAUTION	
12	M707000930	1	LABEL,INST	
13	X505008400	1	LABEL,EPA REGULATION C CAUTION	
14	M707000830	1	LABEL,OPEN-CLOSE INST	
15	X505007650	1	LABEL,WARNING/FIRE CAUTION	
16	M705001140	2	LABEL,KWIET POWER FEATURE	
17	M705001000	2	LABEL,FEATURE 20KVA	
18	X504006320	2	LABEL,SHINDAIWA BRAND	
19	X564000890	1	LABEL,CAUTION ELECTRIC SHOCK	
20	M707000950	1	LABEL,FUEL RETURN INST	
21	M707000380	4	LABEL,INST	
22	M707000940	1	LABEL,3-WAY FUEL VALVE INST	
23	M704003260	1	LABEL,REMOTE START INST.	
24	M704001400	1	LABEL,INST	
25	X586000020	1	LABEL,U,N/G,W	
26	M707000790	1	LABEL,OIL DRAIN INST	
27	M707000800	1	LABEL,WATER DRAIN INST	
28	X505010410	1	LABEL,PROPOSITION65/BATTERIES CAUTION	D20401000001-D20401000203
28	X564001320	1	LABEL,BATTERY CAUTION	D20401000204-
29	M709000720	1	LABEL,RECEPTACLE INST	D20401000018-
30	M709000730	1	LABEL,CIRCUIT BREAKER INST	D20401000018-

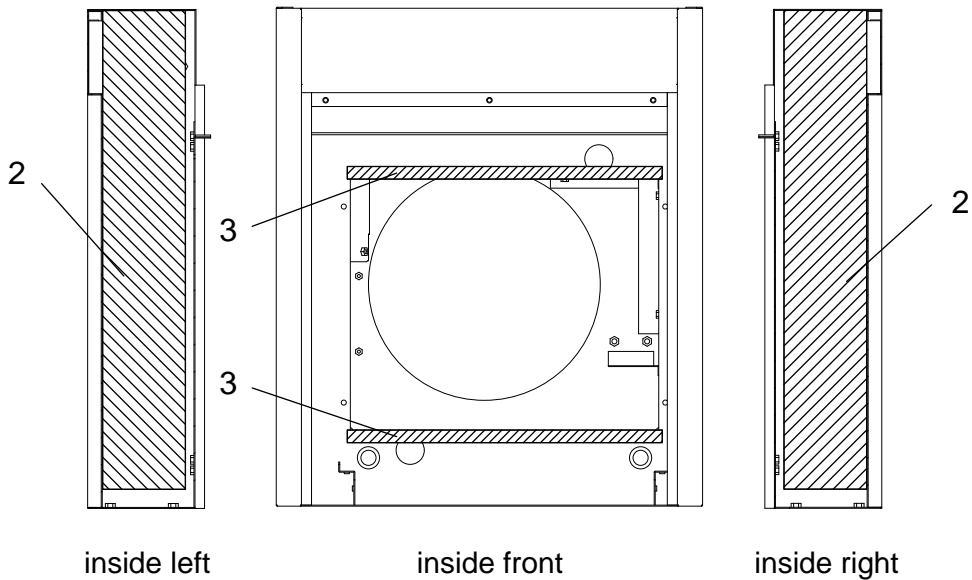
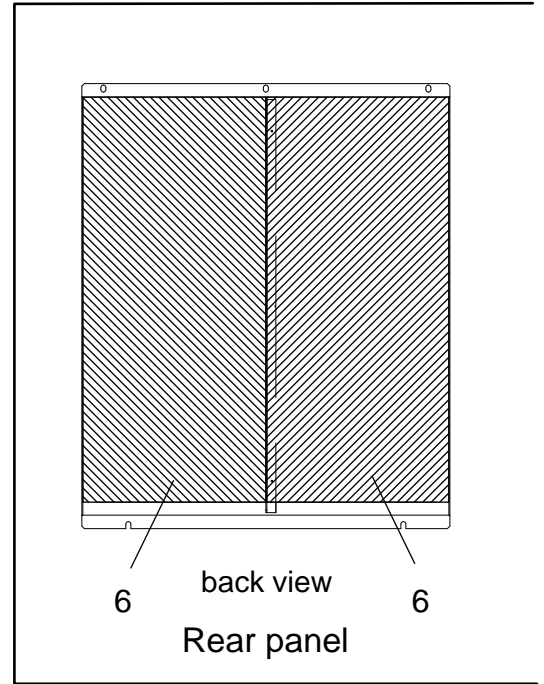
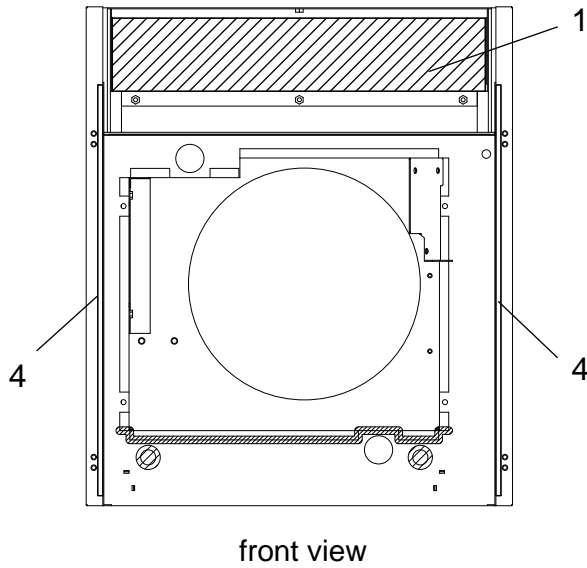
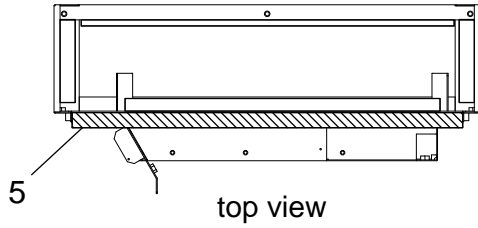
ECHO LABELS



ECHO LABELS

NO.	PART NUMBER	QTY.	DESCRIPTION	
2	M709000500	1	LABEL,INST DIGITAL CONTROL	
3	M709000190	1	LABEL,INST DIGITAL CONTROL	
4	M709000060	1	LABEL,INST	
5	M704001530	1	LABEL,INST	
6	X586000010	1	LABEL	
7	M709000490	1	LABEL,INST MEMORY CLEAR	
8	X505007550	1	LABEL,WARNING:INJURY CAUTION	
9	X505007840	1	LABEL,CAUTION:GM SPEC LLC	
10	X505010400	1	LABEL,PROPOSITION65/OPERATING CAUTION	
11	X564001310	1	LABEL,CAUTION	
12	M707000930	1	LABEL,INST	
13	X505008400	1	LABEL,EPA REGULATION C CAUTION	
14	M707000830	1	LABEL,OPEN-CLOSE INST	
15	X505007650	1	LABEL,WARNING/FIRE CAUTION	
17	X586000190	2	LABEL	
18	X502001490	3	LABEL, ECHO	
19	X564000890	1	LABEL,CAUTION ELECTRIC SHOCK	
20	M707000950	1	LABEL,FUEL RETURN INST	
21	M707000380	4	LABEL,INST	
22	M707000940	1	LABEL,3-WAY FUEL VALVE INST	
23	M704003260	1	LABEL,REMOTE START INST.	
24	M704001400	1	LABEL,INST	
25	X586000020	1	LABEL,U,N/G,W	
26	M707000790	1	LABEL,OIL DRAIN INST	
27	M707000800	1	LABEL,WATER DRAIN INST	
28	X505010410	1	LABEL,PROPOSITION65/BATTERIES CAUTION	D20401000001-D20401000203
28	X564001320	1	LABEL,BATTERY CAUTION	D20401000204-
29	M709000720	1	LABEL,RECEPTACLE INST	D20401000018-
30	M709000730	1	LABEL,CIRCUIT BREAKER INST	D20401000018-

REAR ENCLOSURE FRAME INSULATION



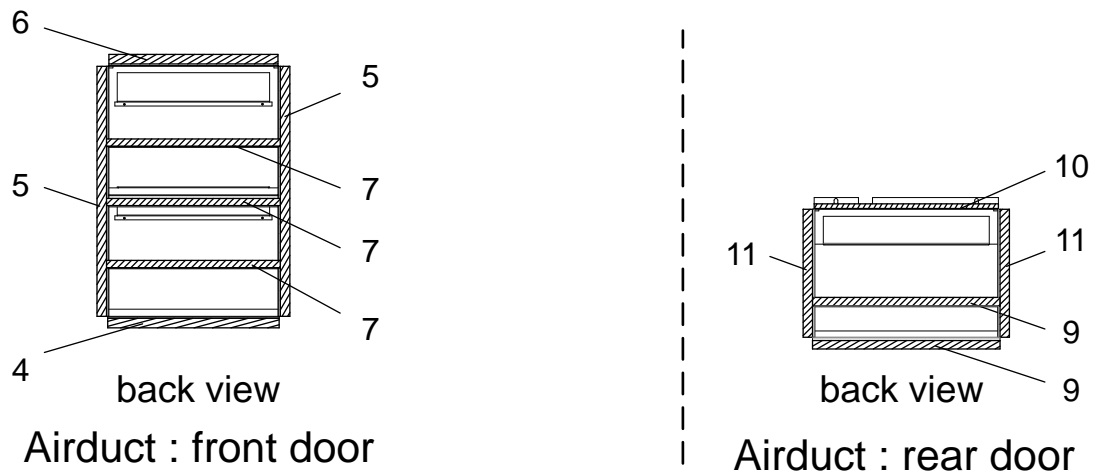
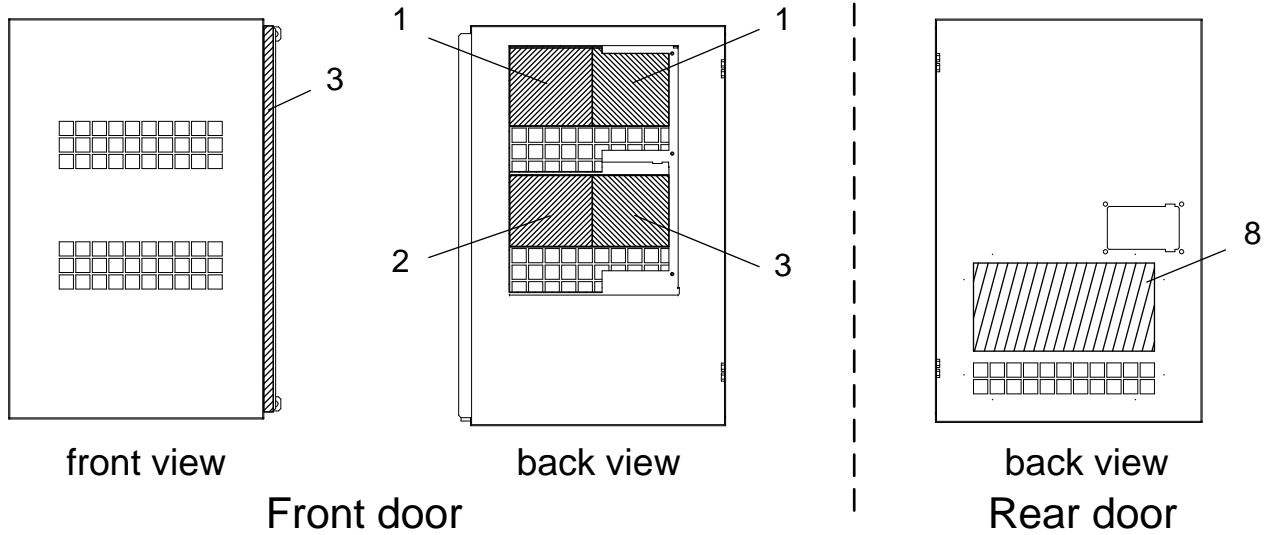
Rear Bonnet

REAR ENCLOSURE FRAME INSULATION

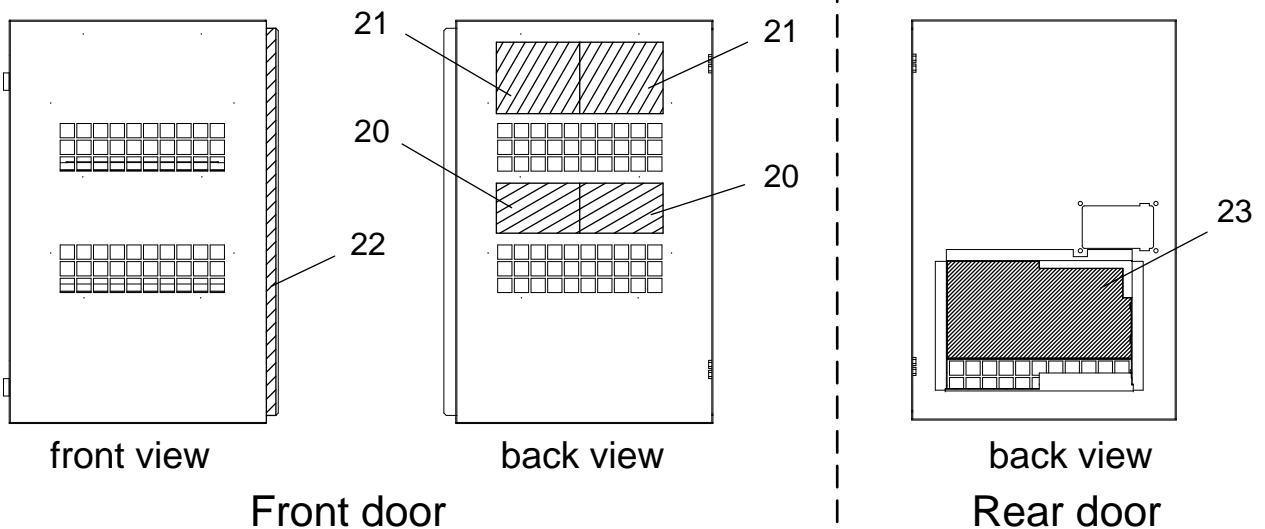
NO.	PART NUMBER	QTY.	DESCRIPTION	
1	V413000030	1	INSULATION,T40X145X740 REAR ENCLOSURE FRAME	REAR BONNET
2	V413000040	2	INSULATION,T40X165X950 REAR ENCLOSURE FRAME	REAR BONNET
3	V413000050	2	INSULATION,T25X25X625 REAR ENCLOSURE FRAME	REAR BONNET
4	V542000400	2	SEAL,T15X10X815 ENCLOSURE FRAME	REAR BONNET
5	V542000410	1	SEAL,T4X30X775 ENCLOSURE FRAME	REAR BONNET
6	V413000060	1	INSULATION,T20X365X810 REAR PANEL	REAR PANEL

ENCLOSURE FRAME, RIGHT FRONT AND REAR DOOR INSULATION

D20401000065 -



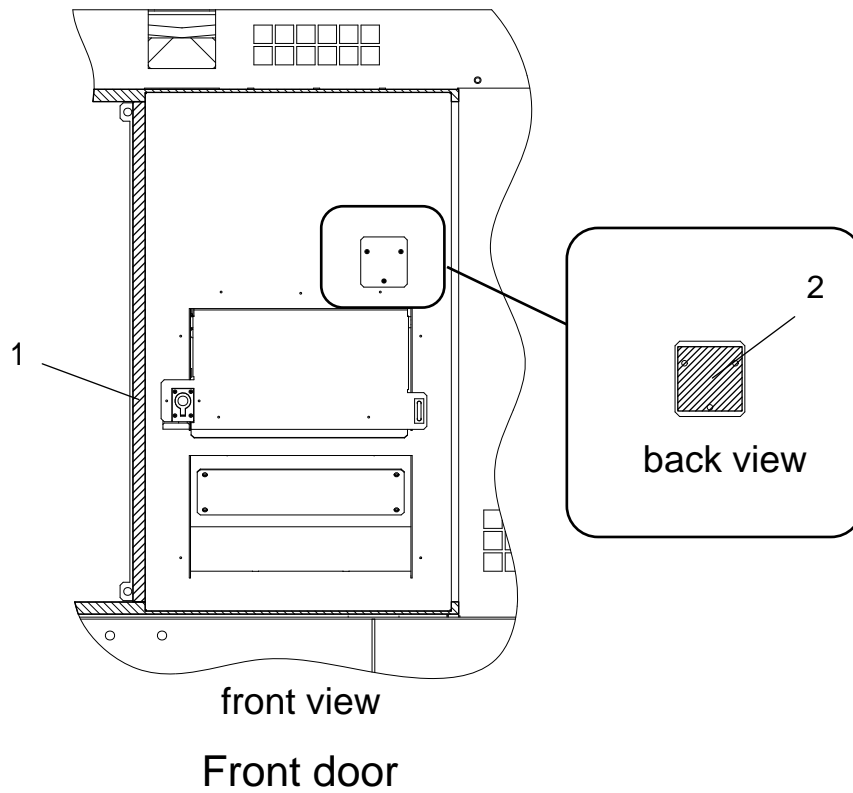
D20401000001 - D20401000064



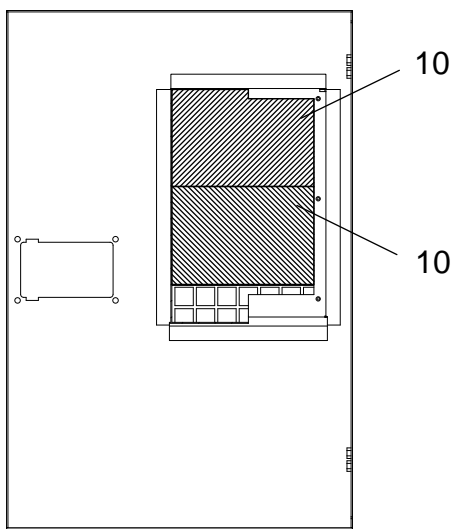
ENCLOSURE FRAME, RIGHT FRONT AND REAR DOOR INSULATION

NO.	PART NUMBER	QTY.	DESCRIPTION	
1	V902000020	2	INSULATION,T40X105X175 RIGHT FRONT DOOR	FRONT DOOR D20401000065-
2	V414000030	2	INSULATION,T40X150X175 RIGHT FRONT DOOR	FRONT DOOR D20401000065-
3	J414002350	1	SEAL,T10X20X820 ENCLOSURE FRAME RIGHT FRONT DOOR	FRONT DOOR D20401000065-
4	V544000130	1	SEAL,T1.5X20X360 RIGHT FRONT DOOR AIR DUCT	AIR DUCT : FRONT DOOR D20401000065-
5	V544000120	2	SEAL,T1.5X20X525 RIGHT FRONT DOOR AIR DUCT	AIR DUCT : FRONT DOOR D20401000065-
6	V544000110	1	SEAL,T1.5X20X355 RIGHT FRONT DOOR AIR DUCT	AIR DUCT : FRONT DOOR D20401000065-
7	V542000420	3	SEAL,T1.5X15X365 RIGHT FRONT DOOR AIR DUCT	AIR DUCT : FRONT DOOR D20401000065-
8	V902000030	1	INSULATION,T10X185X380 RIGHT REAR DOOR	REAR DOOR D20401000065-
9	V544000140	2	SEAL,T10X185X380 RIGHT REAR DOOR AIR DUCT	AIR DUCT : REAR DOOR D20401000065-
10	V544000160	1	SEAL,T1.5X10X395 RIGHT REAR DOOR AIR DUCT	AIR DUCT : REAR DOOR D20401000065-
11	V544000150	2	SEAL,T1.5X20X275 RIGHT REAR DOOR AIR DUCT	AIR DUCT : REAR DOOR D20401000065-
20	V414000110	2	INSULATION,T40X165X175 RIGHT FRONT DOOR	FRONT DOOR D20401000001-D20401000064
21	V414000030	2	INSULATION,T40X150X175 RIGHT FRONT DOOR	FRONT DOOR D20401000001-D20401000064
22	J414002350	1	SEAL,T10X20X820 ENCLOSURE FRAME RIGHT FRONT DOOR	FRONT DOOR D20401000001-D20401000064
23	V414000120	1	INSULATION,T10X205X390 RIGHT REAR DOOR	REAR DOOR D20401000001-D20401000064

ENCLOSURE FRAME, LEFT FRONT AND REAR DOOR INSULATION

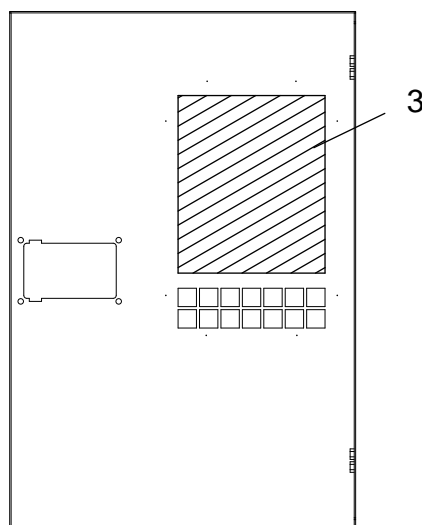


D2040100001
- D20401000064

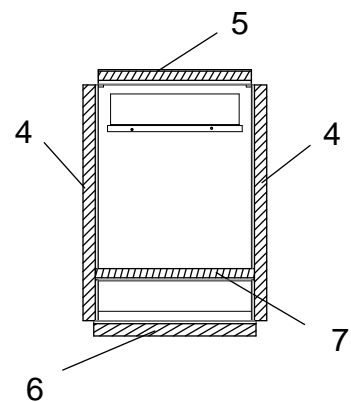


back view
Rear door

D20401000065 -



back view
Rear door



back view
Airduct : rear door

ENCLOSURE FRAME, LEFT FRONT AND REAR DOOR INSULATION

NO.	PART NUMBER	QTY.	DESCRIPTION	
1	J414002350	1	SEAL,T10X20X820 ENCLOSURE FRAME RIGHT FRONT DOOR	FRONT DOOR
2	V902000220	1	INSULATION,T3X70X70 LEFT FRONT DOOR COVER	COVER : FRONT DOOR
3	V902000040	1	INSULATION,T20X290X240 LEFT REAR DOOR	REAR DOOR D20401000065-
4	V544000180	2	SEAL,T1.5X20X385 LEFT REAR DOOR AIR DUCT	AIR DUCT : REAR DOOR D20401000065-
5	J481000560	1	SEAL,T1.5X15X250 LEFT REAR DOOR COVER AIR DUCT	AIR DUCT : REAR DOOR D20401000065-
6	V544000170	1	SEAL,T1.5X20X265 ENCLOSURE FRAME FRONT DOOR AIR DUCT	AIR DUCT : REAR DOOR D20401000065-
7	J481000570	1	SEAL,T1.5X15X260 LEFT REAR DOOR COVER AIR DUCT	AIR DUCT : REAR DOOR D20401000065-
10	V414000160	2	INSULATION,T20X160X250 LEFT REAR DOOR	REAR DOOR D20401000001-D20401000064