



Accessories for ECHO products can be found at:

Los accesorios para los productos ECHO se pueden encontrar en:

www.echo-usa.com/products/catalogs

OPTIONAL ACCESSORIES & ATTACHMENTS:

Crack Chaser Wire Wheel 99944206000

ACCESORIOS & ACCESORIOS OPCIONALES

ACCESORIOS:

Disco de Alambre para Grietas 99944206000

EDGING BLADES:

8" Edger Blade -- 2 Pack 69601552632

8" Premium Edger Blade -- 2 Pack 69601553630

Edger Blade-8"--50 Pack/Bulk 99944201000

Premium Edger Blade-8"--50 Pack/Bulk 99944205000

CUCHILLAS DE BORDEADO:

Cuchilla de 8" - Paquete de 2 69601552632

Cuchilla Premium de 8" - Paquete de 2 69601553630

Cuchilla - 8" - Paquete de 50/a granel 99944201000

Cuchilla Premium - 8" - Paquete de 50 99944205000



PARTS CATALOG
LISTA DE PIEZAS

PE-280
Edger

PE-280 Recortadora de Bordes



28.1 cc

SERIAL NUMBER
NÚMERO DE SERIE

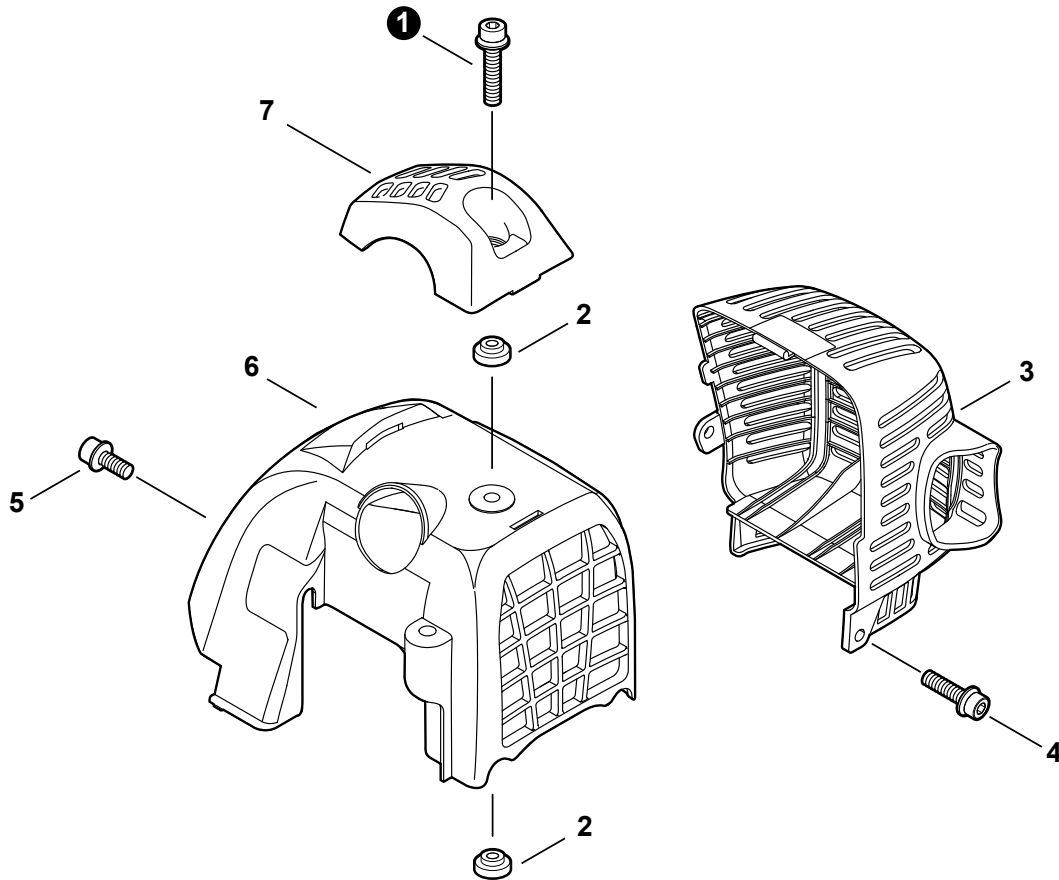
S63111001001 - S63111999999

ECHO, INCORPORATED

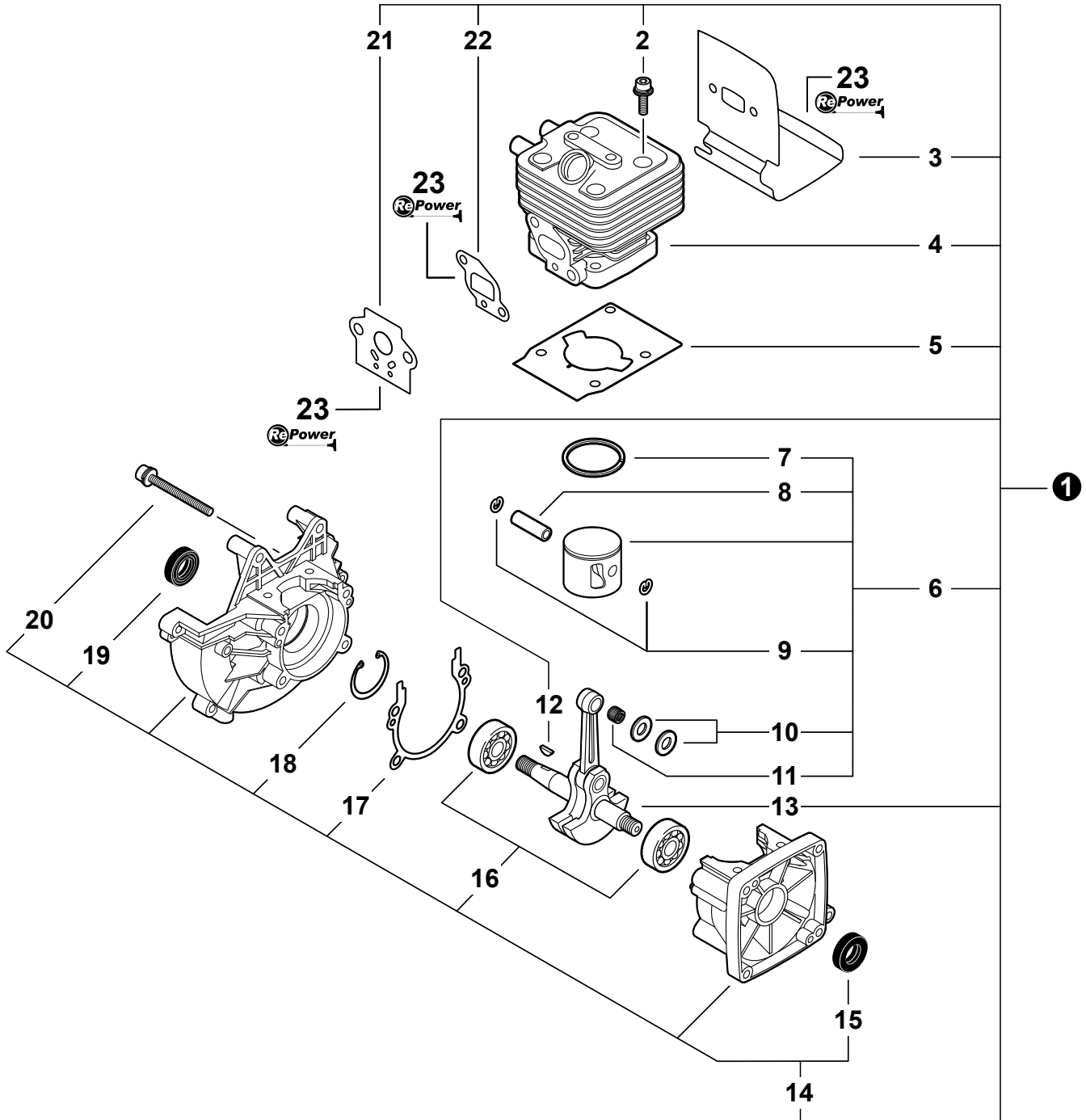
400 Oakwood Road, Lake Zurich, Illinois 60047

WWW.ECHO-USA.COM

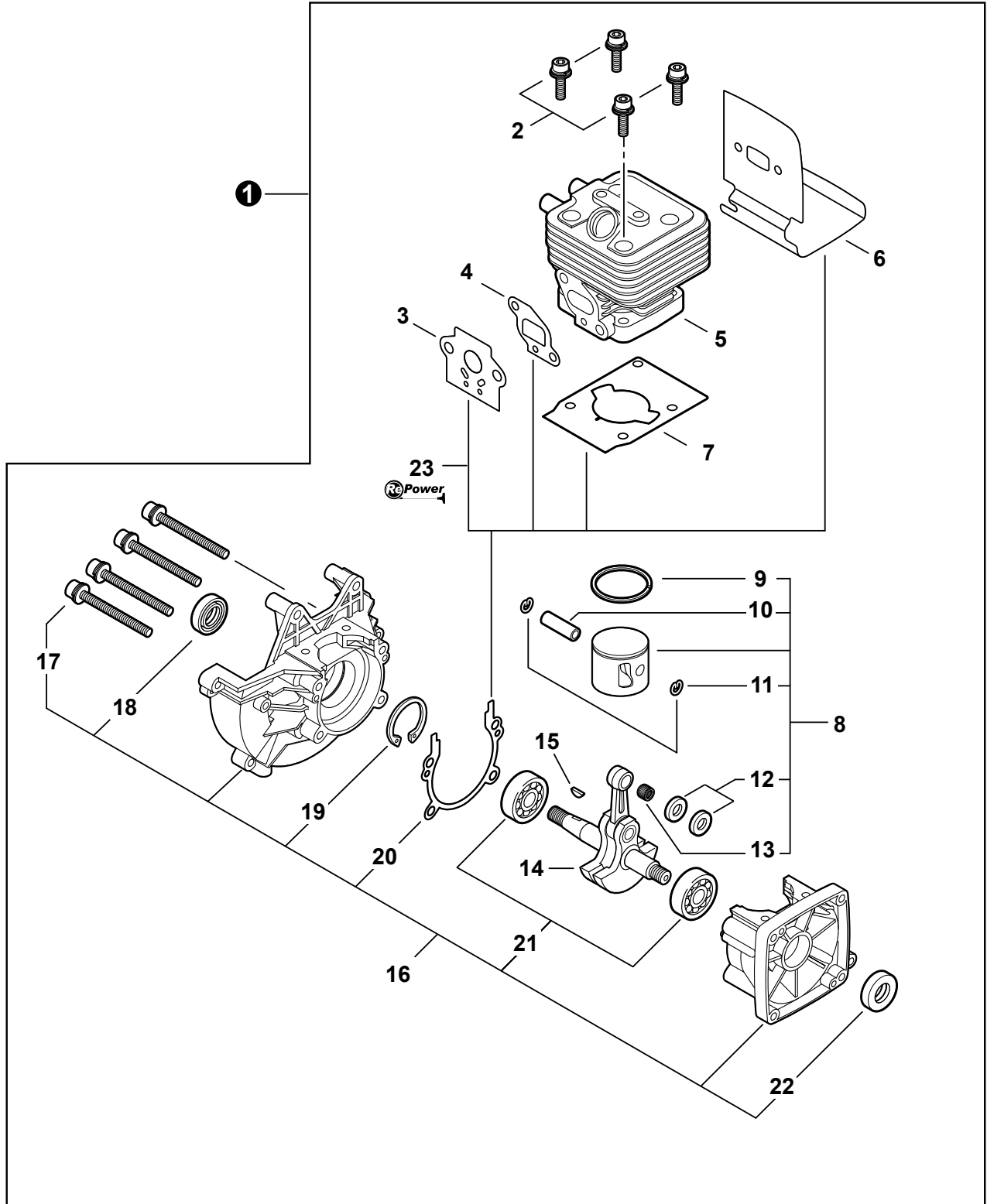
| | | | |
|--|-----------|---|-----------|
| Engine Covers | 3 | Fan Case | |
| Cubiertas del Motor | | S/N: S63111006971-S63111999999 | 19 |
| | | Carcasa del Ventilador S/N: | |
| | | S63111006971-S63111999999 | |
| Engine S/N: S63111001001-S63111006970 | 4 | Throttle Control | |
| Motor S/N: S63111001001-S63111006970 | | S/N: S63111001001-S63111006806 | 20 |
| | | Control del Acelerador S/N: | |
| | | S63111001001-S63111006806 | |
| Engine S/N: S63111006971-S63111999999 | 5 | Throttle Control | |
| Motor S/N: S63111001001-S63111006970 | | S/N: S63111006807-S63111999999 | 21 |
| | | Control del Acelerador S/N: | |
| | | S63111006807-S63111999999 | |
| Engine S/N: S63111006971-S63111999999 | 6 | Loop Handle | 22 |
| Motor S/N: S63111006971-S63111999999 | | Mango de Lazo | |
| | | Main Pipe | |
| Engine S/N: S63111006971-S63111999999 | 7 | S/N: S63111001001-S63111006970 | 23 |
| Motor S/N: S63111006971-S63111999999 | | Tubo Principle S/N: | |
| | | S63111001001-S63111006970 | |
| Carburetor | 8 | Main Pipe | |
| Carburador | | S/N: S63111006971-S63111999999 | 24 |
| | | Tubo Principle S/N: | |
| | | S63111006971-S63111999999 | |
| Carburetor | 9 | Gear Case | |
| Carburador | | S/N: S63111001001-S63111005096 | 25 |
| | | Caja de Engranajes S/N: | |
| | | S63111001001-S63111005096 | |
| Intake S/N: S63111001001-S63111006970 | 10 | Gear Case | |
| Admisión S/N: S63111001001-S63111006970 | | S/N: S63111005097-S63111999999 | 26 |
| | | Caja de Engranajes S/N: | |
| | | S63111005097-S63111999999 | |
| Intake S/N: S63111006971-S63111999999 | 11 | Labels | 27 |
| Admisión S/N: S63111006971-S63111999999 | | Etiquetas | |
| | | Edging Assembly | 28 |
| Exhaust | 12 | Conjunto de Bordeado | |
| Escape | | Edging Assembly | 29 |
| | | Conjunto de Bordeado | |
| Starter | 13 | Tools | 30 |
| Arrancador | | Herramientas | |
| | | RePower Maintenance Kits | 31 |
| Ignition | 14 | Kits de Mantenimiento RePower | |
| Encendido | | | |
| Fuel System | | | |
| S/N: S63111001001-S63111006190 | 15 | | |
| Sistema de combustible S/N: | | | |
| S63111001001-S63111006190 | | | |
| Fuel System | | | |
| S/N: S63111006191-S63111006970 | 16 | | |
| Sistema de combustible S/N: | | | |
| S63111006191-S63111006970 | | | |
| Fuel System | | | |
| S/N: S63111006971-S63111999999 | 17 | | |
| Sistema de combustible S/N: | | | |
| S63111006971-S63111999999 | | | |
| Fan Case | | | |
| S/N: S63111001001-S63111006970 | 18 | | |
| Carcasa del Ventilador S/N: | | | |
| S63111001001-S63111006970 | | | |



| NO. | PART NUMBER | QTY. | DESCRIPTION | DESCRIPCIÓN |
|-----|-------------|------|----------------|---------------------|
| 1 | V203000270 | 1 | SCREW - 5×20 | TORNILLO - 5×20 |
| 2 | V353000020 | 2 | COLLAR - 5 | ESPACIADOR - 5 |
| 3 | A320000400 | 1 | COVER, EXHAUST | CUBIERTA, ESCAPE |
| 4 | V203000260 | 1 | SCREW - 5×16 | TORNILLO - 5×16 |
| 5 | 90010605010 | 1 | SCREW - 5×10 | TORNILLO - 5×10 |
| 6 | A160000800 | 1 | COVER, ENGINE | CUBIERTA, MOTOR |
| 7 | A162000110 | 1 | GUARD, TOP | PROTECTOR, SUPERIOR |

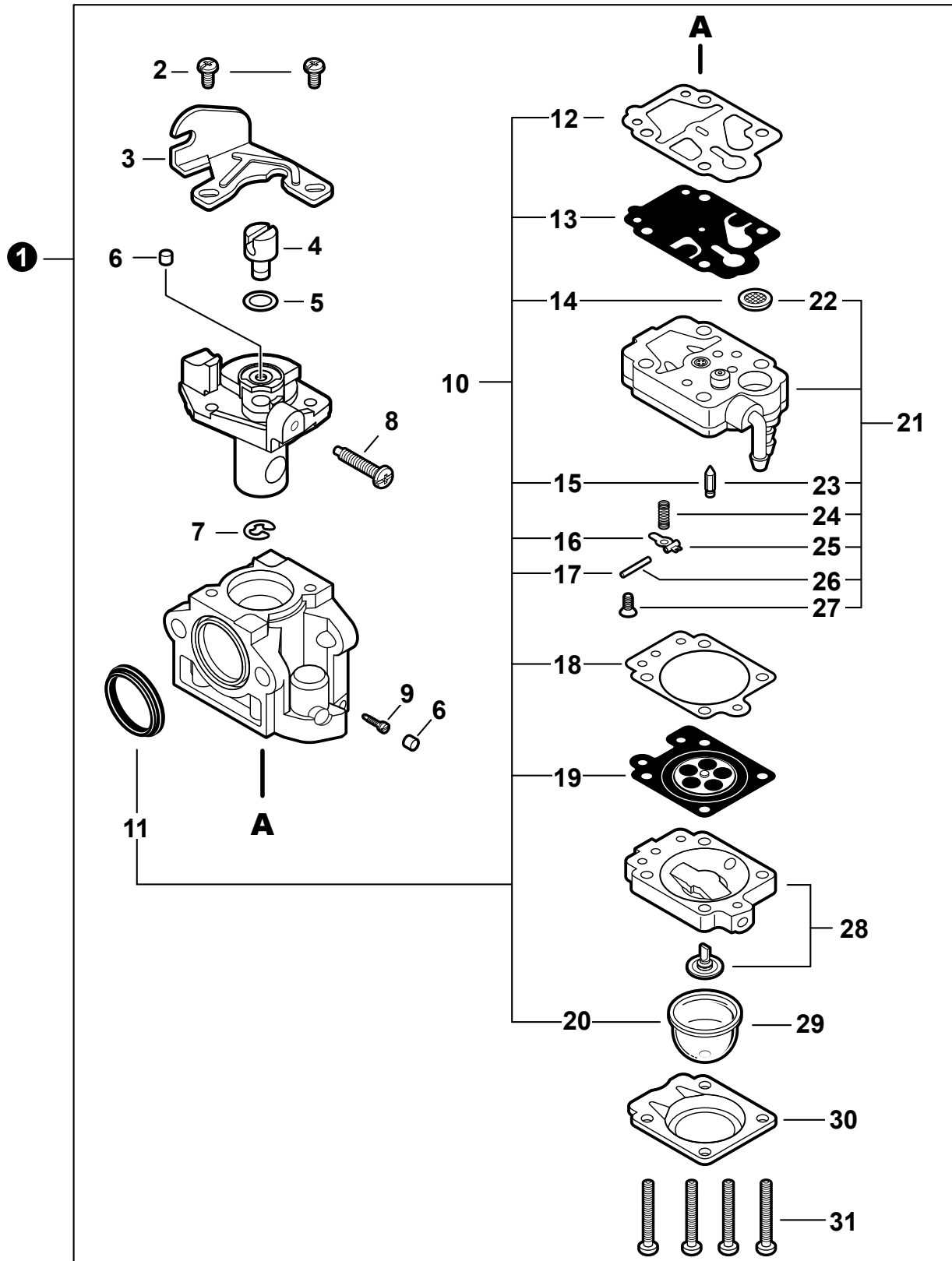


| NO. | PART NUMBER | QTY. | DESCRIPTION | DESCRIPCIÓN |
|-----|-------------|------|------------------------|----------------------------------|
| 1 | SB1091 | 1 | SHORT BLOCK -- SB1091 | BLOQUE CORTO -- SB1091 |
| 2 | 9112805025 | 4 | +SCREW - 5×25 | +TORNILLO - 5×25 |
| 3 | V104000810 | 1 | +SHIELD, EXHAUST | +PROTECTOR, ESCAPE |
| 4 | A130000800 | 1 | +CYLINDER | +CILINDRO |
| 5 | V100000201 | 1 | +GASKET, CYLINDER | +JUNTA, CILINDRO |
| 6 | P021010730 | 1 | +PISTON KIT | +KIT DE PISTÓN |
| 7 | A101000170 | 1 | ++RING, PISTON | ++ANILLO, PISTÓN |
| 8 | 10001335430 | 1 | ++PIN, PISTON | ++PASADOR, PISTÓN |
| 9 | 10001503931 | 2 | ++RING, RETAINING | ++ANILLO, RETÉN |
| 10 | V306000200 | 2 | ++SPACER, PISTON | ++ESPACIADOR, PISTÓN |
| 11 | 10001216131 | 1 | ++BEARING, NEEDLE | ++COJINETE, DE AGUJAS |
| 12 | 10014212330 | 1 | +KEY, WOODRUFF | +CHAVETA, WOODRUFF |
| 13 | A011000470 | 1 | +CRANKSHAFT ASY | +CONJUNTO DE CIGÜEÑAL |
| 14 | P021010741 | 1 | +CRANKCASE KIT | +KIT DE CÁRTER |
| 15 | V505000020 | 1 | ++SEAL, OIL - 12 | ++SELLO, ACEITE - 12 |
| 16 | 9403536201 | 2 | ++BEARING, BALL - 6201 | ++COJINETE DE BOLAS |
| 17 | V102000030 | 1 | ++GASKET, CRANKCASE | ++JUNTA, CÁRTER |
| 18 | 90070200032 | 1 | ++RING, RETAINING - 32 | ++ANILLO, RETÉN - 32 |
| 19 | 10021203930 | 1 | ++SEAL, OIL | ++SELLO, ACEITE |
| 20 | 9112805028 | 4 | ++SCREW - 5×28 | ++TORNILLO - 5×28 |
| 21 | V103000160 | 1 | +GASKET, INTAKE | +JUNTA, ADMISIÓN |
| 22 | V103000380 | 1 | +GASKET, INTAKE | +JUNTA, ADMISIÓN |
| 23 | P021013800 | 1 | GASKET KIT - REPOWER | JUEGO DE EMPAQUETADURA - REPOWER |



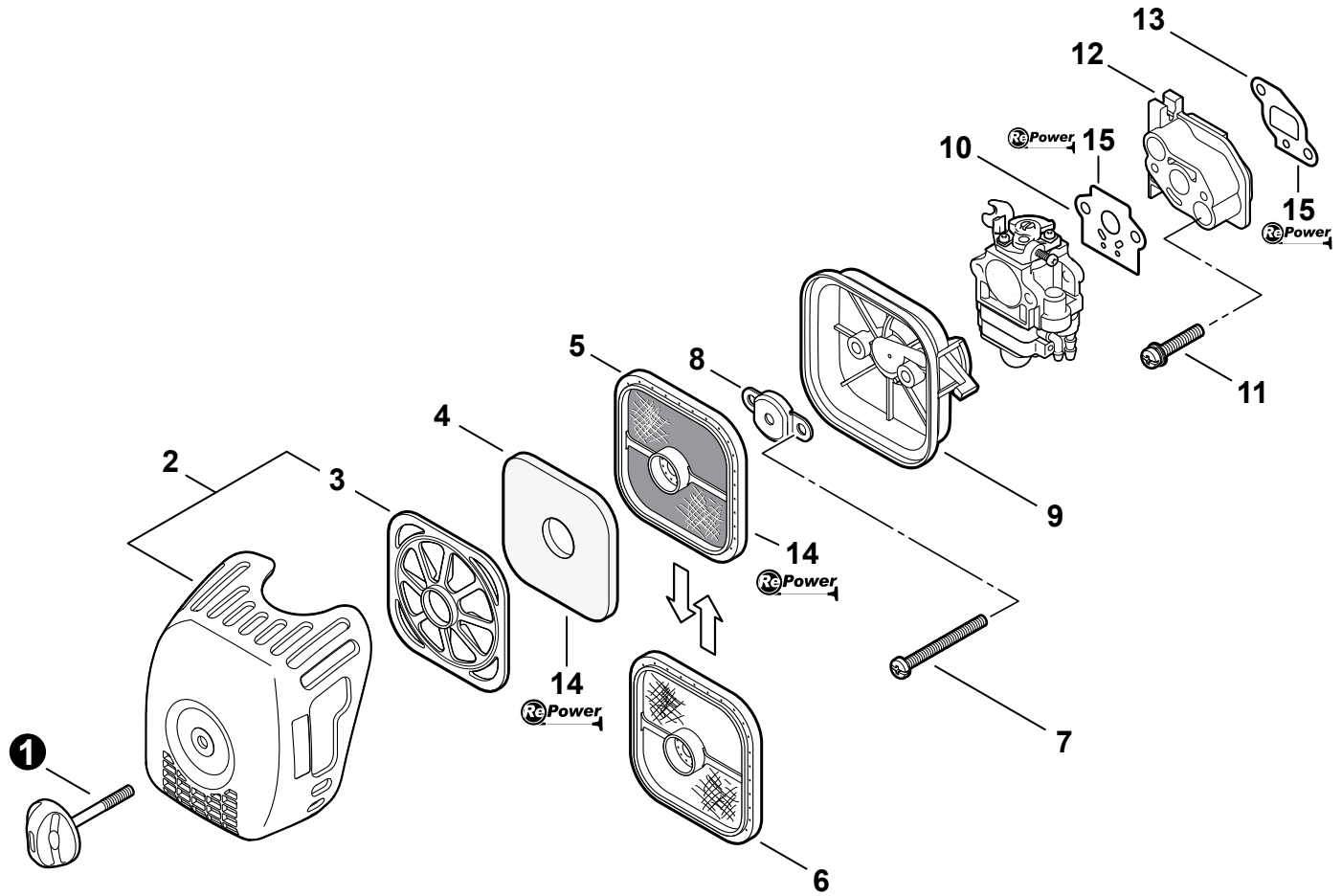


| NO. | PART NUMBER | QTY. | DESCRIPTION | DESCRIPCIÓN |
|-----|-------------|------|------------------------|----------------------------------|
| 1 | SB1091 | 1 | SHORT BLOCK -- SB1091 | BLOQUE CORTO -- SB1091 |
| 2 | 9112805025 | 4 | +SCREW - 5×25 | +TORNILLO - 5×25 |
| 3 | V103000160 | 1 | +GASKET, INTAKE | +JUNTA, ADMISIÓN |
| 4 | V103000380 | 1 | +GASKET, INTAKE | +JUNTA, ADMISIÓN |
| 5 | A130000800 | 1 | +CYLINDER | +CILINDRO |
| 6 | V104000810 | 1 | +SHIELD, EXHAUST | +PROTECTOR, ESCAPE |
| 7 | V100000201 | 1 | +GASKET, CYLINDER | +JUNTA, CILINDRO |
| 8 | P021047610 | 1 | +PISTON KIT | +KIT DE PISTÓN |
| 9 | A101000170 | 1 | ++RING, PISTON | ++ANILLO, PISTÓN |
| 10 | 10001335430 | 1 | ++PIN, PISTON | ++PASADOR, PISTÓN |
| 11 | 10001503931 | 2 | ++RING, RETAINING | ++ANILLO, RETÉN |
| 12 | V306000520 | 2 | ++SPACER, PISTON | ++ESPACIADOR, PISTÓN |
| 13 | 10001216131 | 1 | ++BEARING, NEEDLE | ++COJINETE, DE AGUJAS |
| 14 | A011001370 | 1 | +CRANKSHAFT ASY | +CONJUNTO DE CIGÜEÑAL |
| 15 | 10014212330 | 1 | +KEY, WOODRUFF | +CHAVETA, WOODRUFF |
| 16 | P021010741 | 1 | +CRANKCASE KIT | +KIT DE CÁRTER |
| 17 | 9112805028 | 4 | ++SCREW - 5×28 | ++TORNILLO - 5×28 |
| 18 | 10021203930 | 1 | ++SEAL, OIL | ++SELLO, ACEITE |
| 19 | 90070200032 | 1 | ++RING, RETAINING - 32 | ++ANILLO, RETÉN - 32 |
| 20 | V102000030 | 1 | ++GASKET, CRANKCASE | ++JUNTA, CÁRTER |
| 21 | 9403536201 | 2 | ++BEARING, BALL - 6201 | ++COJINETE DE BOLAS |
| 22 | V505000020 | 1 | ++SEAL, OIL - 12 | ++SELLO, ACEITE - 12 |
| 23 | P021013800 | 1 | GASKET KIT - REPOWER | JUEGO DE EMPAQUETADURA - REPOWER |



WYK233A

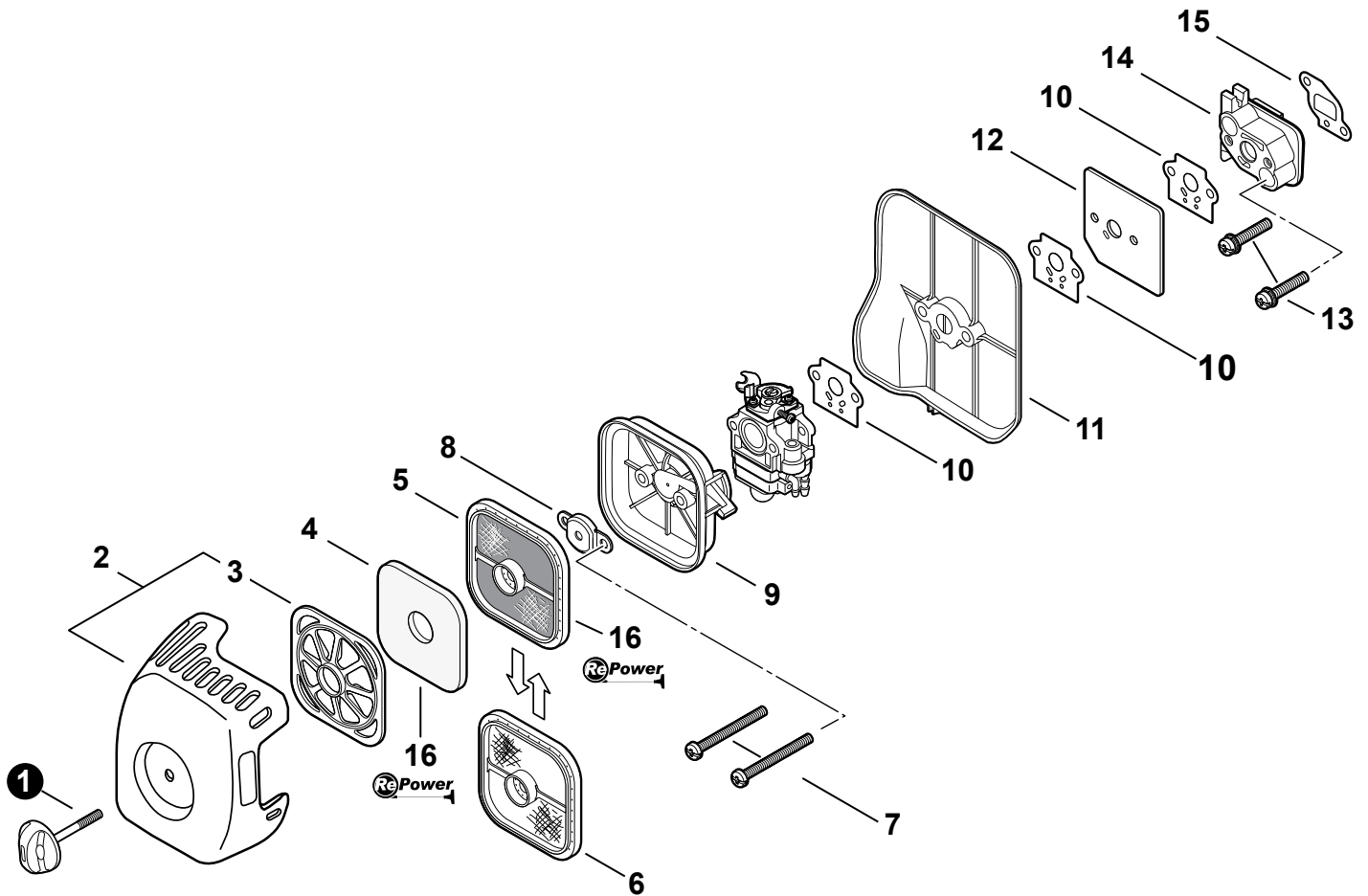
| NO. | PART NUMBER | QTY. | DESCRIPTION | DESCRIPCIÓN |
|-----|-------------|------|-----------------------------|-------------------------------------|
| 1 | A021001340 | 1 | CARBURETOR -- WYK-233A | CARBURADOR -- WYK-233A |
| 2 | 12311440630 | 2 | +SCREW | +TORNILLO |
| 3 | P003000180 | 1 | +BRACKET, CABLE | +SOPORTE, CABLE |
| 4 | 12317245130 | 1 | +SWIVEL | +PIVOTE |
| 5 | 12314954230 | 1 | +WASHER | +ARANDELA |
| 6 | A259000000 | 2 | +CAP, LIMITER | +TAPA, LIMITADOR |
| 7 | 12317307930 | 1 | +RING, RETAINING | +ANILLO, RETÉN |
| 8 | 12313440030 | 1 | +SCREW, IDLE ADJUST | +TORNILLO, AJUSTE DE RALENTÍ |
| 9 | P003001130 | 1 | +NEEDLE - HIGH SPEED | +AGUJA - ALTA VELOCIDAD |
| 10 | P003001120 | 1 | +REPAIR KIT | +KIT DE REPARACIÓN |
| 11 | ----- | 1 | ++RING, PACKING | ++ANILLO, JUNTA |
| 12 | ----- | 1 | ++GASKET, PUMP | ++JUNTA, BOMBA |
| 13 | ----- | 1 | ++DIAPHRAGM, PUMP | ++DIAFRAGMA, BOMBA |
| 14 | ----- | 1 | ++STRAINER | ++TAMIZ |
| 15 | ----- | 1 | ++VALVE, INLET NEEDLE | ++VÁLVULA DE AGUJA, ADMISIÓN |
| 16 | ----- | 1 | ++LEVER, METERING | ++PALANCA, DOSIFICACIÓN |
| 17 | ----- | 1 | ++PIN, METERING LEVER | ++PASADOR, PALANCA DE DOSIFICACIÓN |
| 18 | ----- | 1 | ++GASKET, DIAPHRAGM | ++JUNTA, DIAFRAGMA |
| 19 | ----- | 1 | ++DIAPHRAGM, METERING | ++DIAFRAGMA, DOSIFICACIÓN |
| 20 | 12318140630 | 1 | ++BULB, PURGE | ++BULBO, PURGA |
| 21 | P003000440 | 1 | +PUMP BODY ASY | +CONJUNTO DE CUERPO DE BOMBA |
| 22 | ----- | 1 | ++STRAINER | ++TAMIZ |
| 23 | ----- | 1 | ++VALVE, INLET NEEDLE | ++VÁLVULA DE AGUJA, ADMISIÓN |
| 24 | ----- | 1 | ++SPRING, METERING LEVER | ++RESORTE, PALANCA DE DOSIFICACIÓN |
| 25 | ----- | 1 | ++LEVER, METERING | ++PALANCA, DOSIFICACIÓN |
| 26 | ----- | 1 | ++PIN, METERING LEVER | ++PASADOR, PALANCA DE DOSIFICACIÓN |
| 27 | 12313905560 | 1 | ++SCREW, METERING LEVER PIN | ++TORNILLO, PASADOR DE RETÉN |
| 28 | 12318005560 | 1 | +PURGE BASE ASY | +CONJUNTO DE CUERPO DE BOMBA |
| 29 | 12318140630 | 1 | +BULB, PURGE | +BULBO, PURGA |
| 30 | 12314205560 | 1 | +RETAINER, PURGE BULB | +RETÉN, BULBO DE LA PURGA |
| 31 | 12311005560 | 4 | +SCREW, PUMP COVER | +TORNILLO, CUBIERTA DE LA BOMBA |



| NO. | PART NUMBER | QTY. | DESCRIPTION | DESCRIPCIÓN |
|-----|-------------|------|---|---------------------------------------|
| 1 | V299000250 | 1 | THUMBSCREW | TORNILLO DE OREJETAS |
| 2 | P021039740 | 1 | AIR CLEANER COVER KIT | MONTAJE DE CUBIERTA DE FILTRO DE AIRE |
| 3 | A227000000 | 1 | +RETAINER, PRE-FILTER | +RETENEDOR DE PREFILTRO |
| 4 | A226000371 | 1 | PRE-FILTER - FOAM | ALMOHADILLA, PRE-FILTRO |
| 5 | A226000472 | 1 | FILTER, AIR - DOUBLE LAYER | FILTRO DE AIRE - CAPA DOBLE |
| 6 | A226000351 | 1 | FILTER, AIR - SINGLE LAYER ⁽¹⁾ | FILTRO DE AIRE ⁽¹⁾ |
| 7 | 90024205060 | 2 | SCREW - 5×60 | TORNILLO 5×60 |
| 8 | A244000070 | 1 | PLATE, PREVENT | ABRAZADERA |
| 9 | P021013820 | 1 | CASE, AIR CLEANER - BLACK | CAJA DEL FILTRO DE AIRE |
| 10 | V103000160 | 1 | GASKET, INTAKE | EMPAQUETADURA DE ADMISIÓN |
| 11 | 90010605030 | 2 | SCREW - 5×30 | TORNILLO - 5×30 |
| 12 | A200000270 | 1 | INSULATOR | AISLADOR DE ADMISIÓN |
| 13 | V103000380 | 1 | GASKET, INTAKE | EMPAQUETADURA DE ADMISIÓN |
| 14 | 90125 | 1 | TUNE-UP KIT - REPOWER | JUEGO DE PUESTA A PUNTO - REPOWER |
| 15 | P021013800 | 1 | GASKET KIT - REPOWER | JUEGO DE EMPAQUETADURA - REPOWER |

(FOOTNOTE) 1 - OPTIONAL

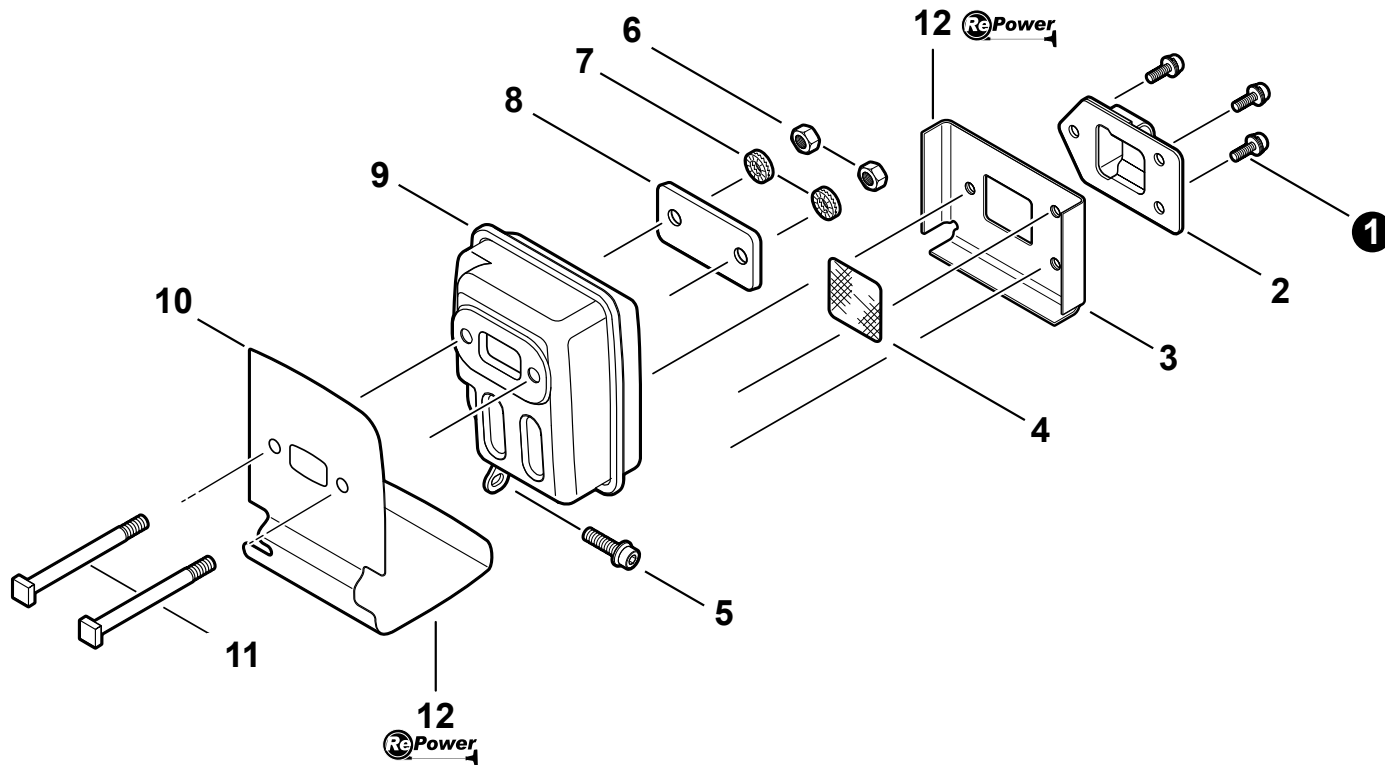
(NOTA DEL PIE) 1 - OPCIONAL



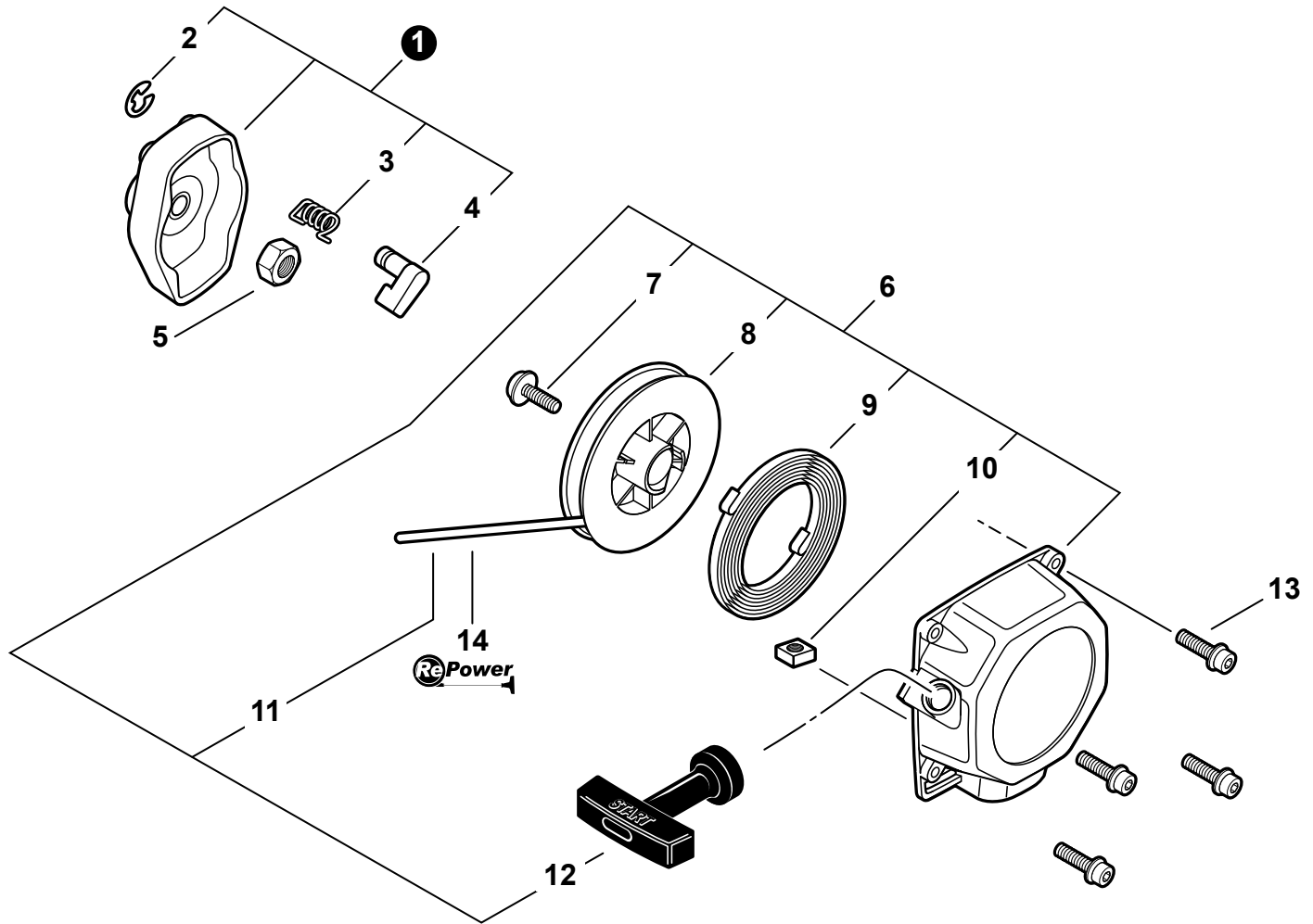
| NO. | PART NUMBER | QTY. | DESCRIPTION | DESCRIPCIÓN |
|-----|-------------|------|---|---------------------------------------|
| 1 | V299000250 | 1 | THUMBSCREW | TORNILLO DE OREJETAS |
| 2 | P021046370 | 1 | AIR CLEANER COVER KIT | MONTAJE DE CUBIERTA DE FILTRO DE AIRE |
| 3 | A227000000 | 1 | +RETAINER, PRE-FILTER | +RETENEDOR DE PREFILTRO |
| 4 | A226000371 | 1 | PRE-FILTER - FOAM | ALMOHADILLA, PRE-FILTRO |
| 5 | A226000472 | 1 | FILTER, AIR - DOUBLE LAYER | FILTRO DE AIRE - CAPA DOBLE |
| 6 | A226000351 | 1 | FILTER, AIR - SINGLE LAYER ⁽¹⁾ | FILTRO DE AIRE ⁽¹⁾ |
| 7 | 9157905070 | 2 | SCREW 5×70 | TORNILLO 5×70 |
| 8 | A244000070 | 1 | PLATE, PREVENT | ABRAZADERA |
| 9 | P021013820 | 1 | CASE, AIR CLEANER - BLACK | CAJA DEL FILTRO DE AIRE |
| 10 | V103000160 | 3 | GASKET, INTAKE | EMPAQUETADURA DE ADMISIÓN |
| 11 | A209000850 | 1 | PLATE, INSULATOR | PLACA AISLANTE |
| 12 | A209000140 | 1 | PLATE, INSULATOR | PLACA AISLANTE |
| 13 | 90010605030 | 2 | SCREW - 5×30 | TORNILLO - 5×30 |
| 14 | A200001000 | 1 | INSULATOR | AISLADOR DE ADMISIÓN |
| 15 | V103000380 | 1 | GASKET, INTAKE | EMPAQUETADURA DE ADMISIÓN |
| 16 | 90125 | 1 | TUNE-UP KIT - REPOWER | JUEGO DE PUESTA A PUNTO - REPOWER |

(FOOTNOTE) 1 - OPTIONAL

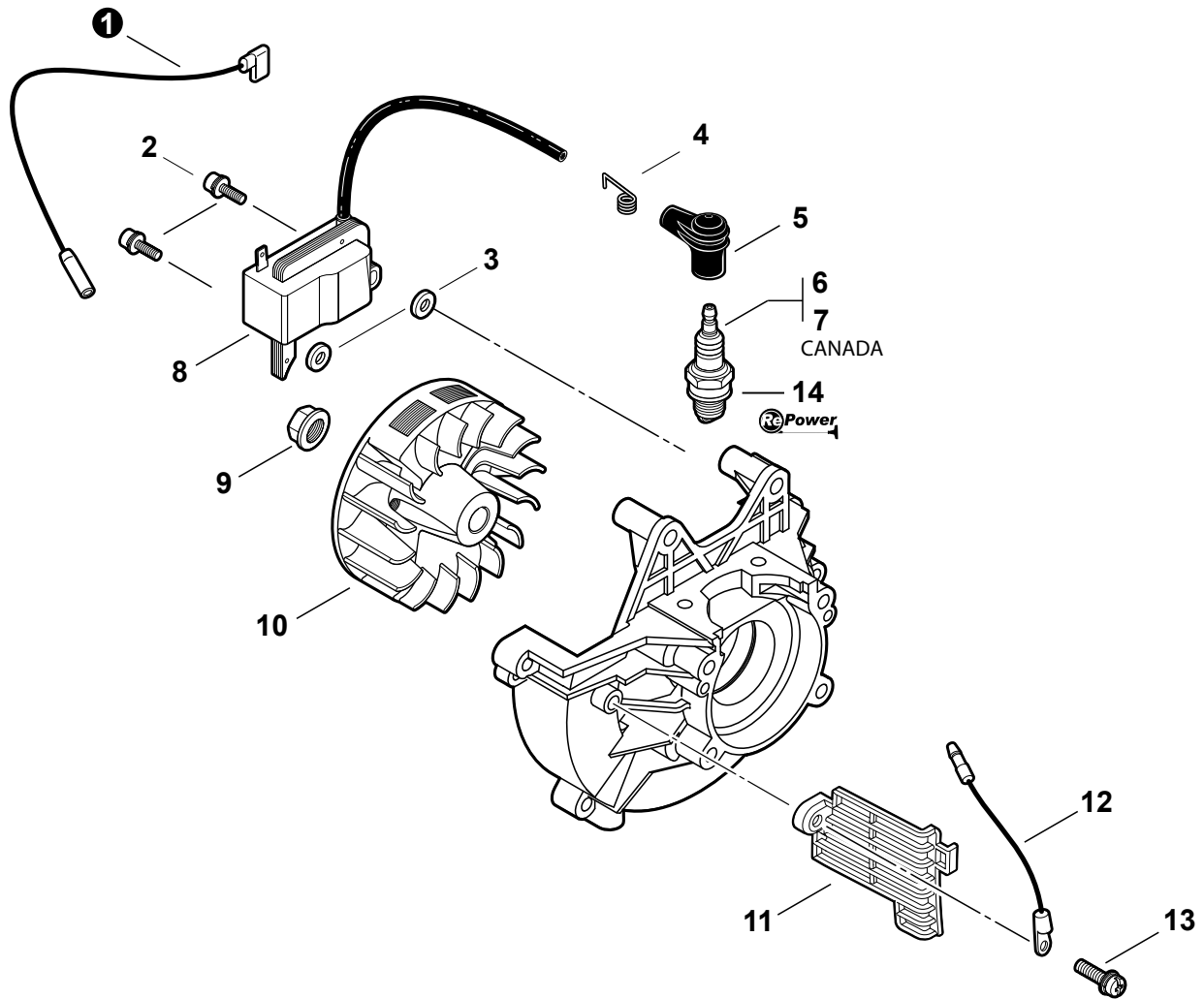
(NOTA DEL PIE) 1 - OPCIONAL



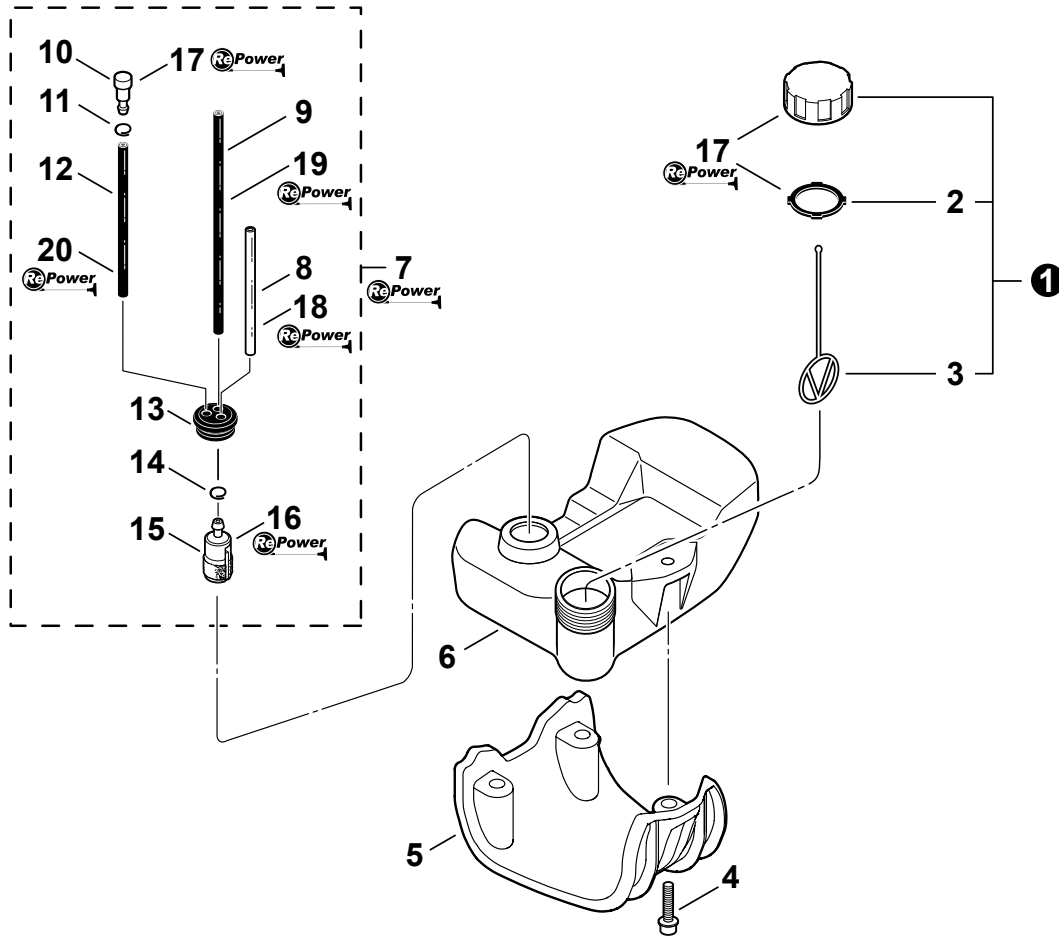
| NO. | PART NUMBER | QTY. | DESCRIPTION | DESCRIPCIÓN |
|-----|-------------|------|------------------------|----------------------------------|
| 1 | 9136704010 | 3 | SCREW - 4×10 | TORNILLO 4×10 |
| 2 | A313000860 | 1 | GUIDE, EXHAUST | GUÍA DE ESCAPE |
| 3 | V104000790 | 1 | GASKET, EXHAUST | EMPAQUETADURA DE ESCAPE |
| 4 | 14586240630 | 1 | SCREEN, SPARK ARRESTER | PANTALLA, SUPRESOR DE CHISPAS |
| 5 | 9111005016 | 1 | SCREW - 5×16 | TORNILLO - 5×16 |
| 6 | 90050000005 | 2 | NUT - 5 | TUERCA - 5 |
| 7 | 9228005000 | 2 | LOCKWASHER | ARANDELA DE PRESIÓN |
| 8 | V150001760 | 1 | PLATE | PLACA OJO |
| 9 | A300000640 | 1 | MUFFLER | SILENCIADOR |
| 10 | V104000810 | 1 | SHIELD, EXHAUST | PROTECTOR TÉRMICO ESCAPE |
| 11 | V203000120 | 2 | BOLT - 5 | PERNO 5×60 |
| 12 | P021013800 | 1 | GASKET KIT - REPOWER | JUEGO DE EMPAQUETADURA - REPOWER |



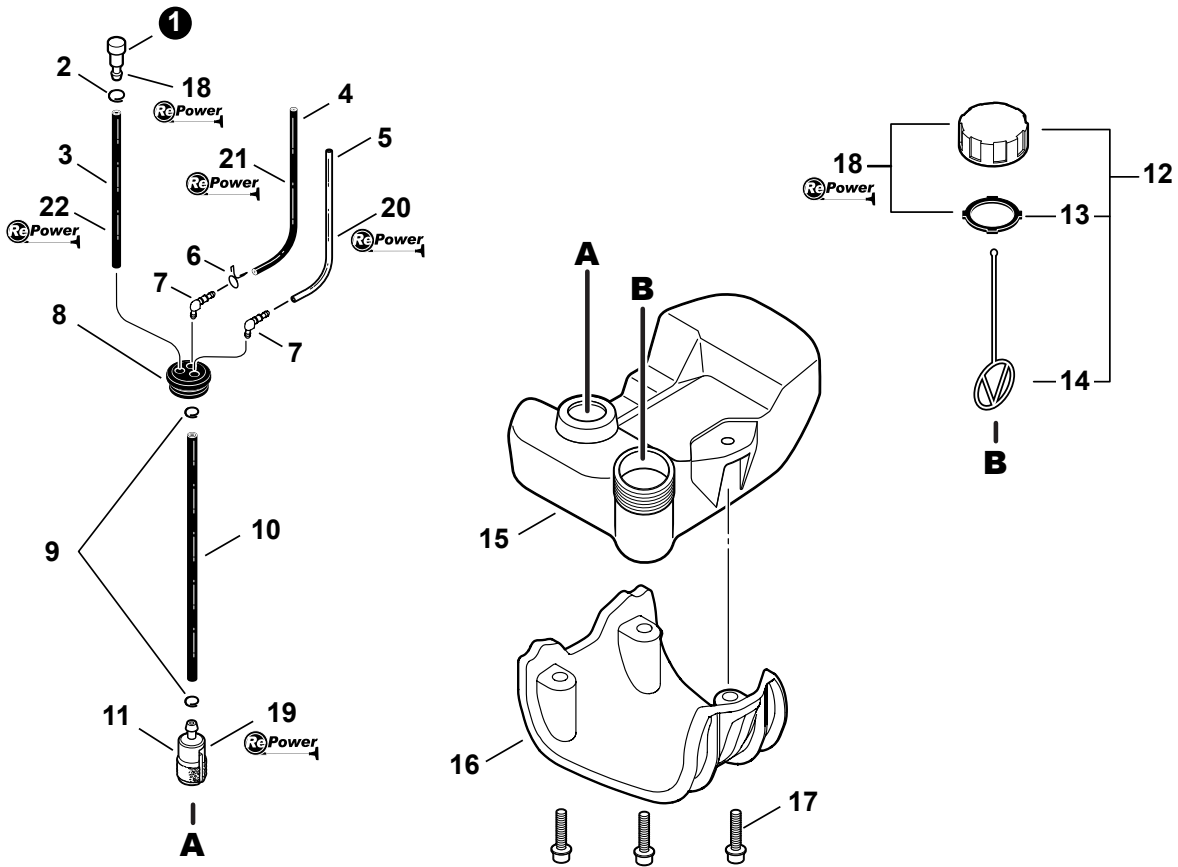
| NO. | PART NUMBER | QTY. | DESCRIPTION | DESCRIPCIÓN |
|-----|-------------|------|------------------------------|--|
| 1 | A052000370 | 1 | STARTER PAWL ASY | MONTAJE DE POLEA DEL ARRANCADOR |
| 2 | P022002100 | 1 | +RING, RETAINING - 4 | +RETENEDOR TIPO "E" 4 |
| 3 | 17723440630 | 1 | +SPRING, RETURN | +RESORTE DE RETORNO |
| 4 | A514000080 | 1 | +PAWL, STARTER | +TRINQUETE |
| 5 | 90050200008 | 1 | NUT - 8 | TUERCA - 8 |
| 6 | A051001041 | 1 | STARTER ASY | ARRANCADOR AUTORRETRÁCTIL |
| 7 | 17723644330 | 1 | +SCREW | +TORNILLO |
| 8 | 17721540630 | 1 | +REEL, ROPE | +TAMBOR CUERDA |
| 9 | 17722040630 | 1 | +SPRING, REWIND | +RESORTE RECULAR |
| 10 | 90056500005 | 1 | +NUT | +TUERCA |
| 11 | P022019660 | 1 | +ROPE, STARTER - 3.5×900 | +CUERDA DEL ARRANCADOR 3,5×900 |
| 12 | 17722827030 | 1 | +GRIP, STARTER | +AGARRE DEL ARRANCADOR |
| 13 | V203000260 | 4 | SCREW - 5×16 | TORNILLO 5×16 |
| 14 | 99944445000 | 1 | ROPE, STARTER - REPOWER BULK | CUERDA DEL ARRANCADOR REPOWER AL POR MAYOR |



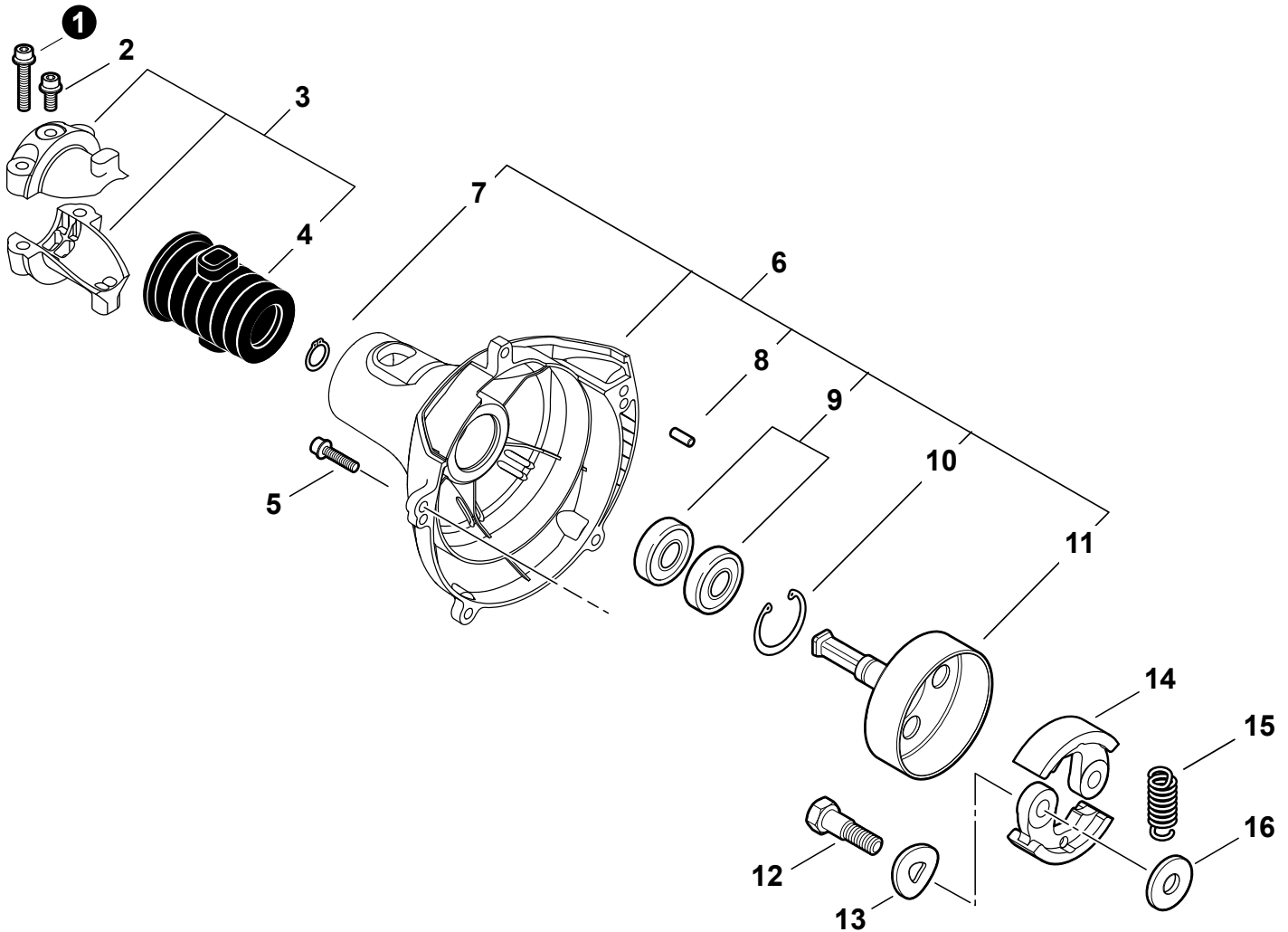
| NO. | PART NUMBER | QTY. | DESCRIPTION | DESCRIPCIÓN |
|-----|-------------|------|--------------------------|-----------------------------------|
| 1 | V485002740 | 1 | LEAD - IGNITION | CABLE DE ENCENDIDO |
| 2 | 90016205020 | 2 | SCREW - 5×20 | TORNILLO - 5×20 |
| 3 | V323000070 | 2 | SPACER | ESPACIADOR 5 |
| 4 | 15901103432 | 1 | TERMINAL, SPARK PLUG CAP | TERMINAL, CAPUCHÓN DE BUJÍA |
| 5 | 15901203433 | 1 | CAP, SPARK PLUG | TAPA, BUJÍA |
| 6 | 15901019830 | 1 | SPARK PLUG - BPM8Y | BUJÍA - BPM8Y |
| 7 | A425000000 | 1 | SPARK PLUG - BPMR8Y | BUJÍA BPMR8Y |
| 8 | A411000311 | 1 | COIL, IGNITION | BOBINA DE ENCENDIDO |
| 9 | 90051500008 | 1 | NUT - 8 -- FLANGE | TUERCA, DE BRIDA - 8 |
| 10 | A409000290 | 1 | FLYWHEEL | VOLANTE |
| 11 | A127000150 | 1 | SHIELD, DEBRIS | PROTECTOR CONTRA RESIDUOS |
| 12 | V485002750 | 1 | LEAD - GROUND | CABLE DE TIERRA |
| 13 | 90024205010 | 1 | SCREW - 5×10 | TORNILLO - 5×10 |
| 14 | 90125 | 1 | TUNE-UP KIT - REPOWER | JUEGO DE PUESTA A PUNTO - REPOWER |



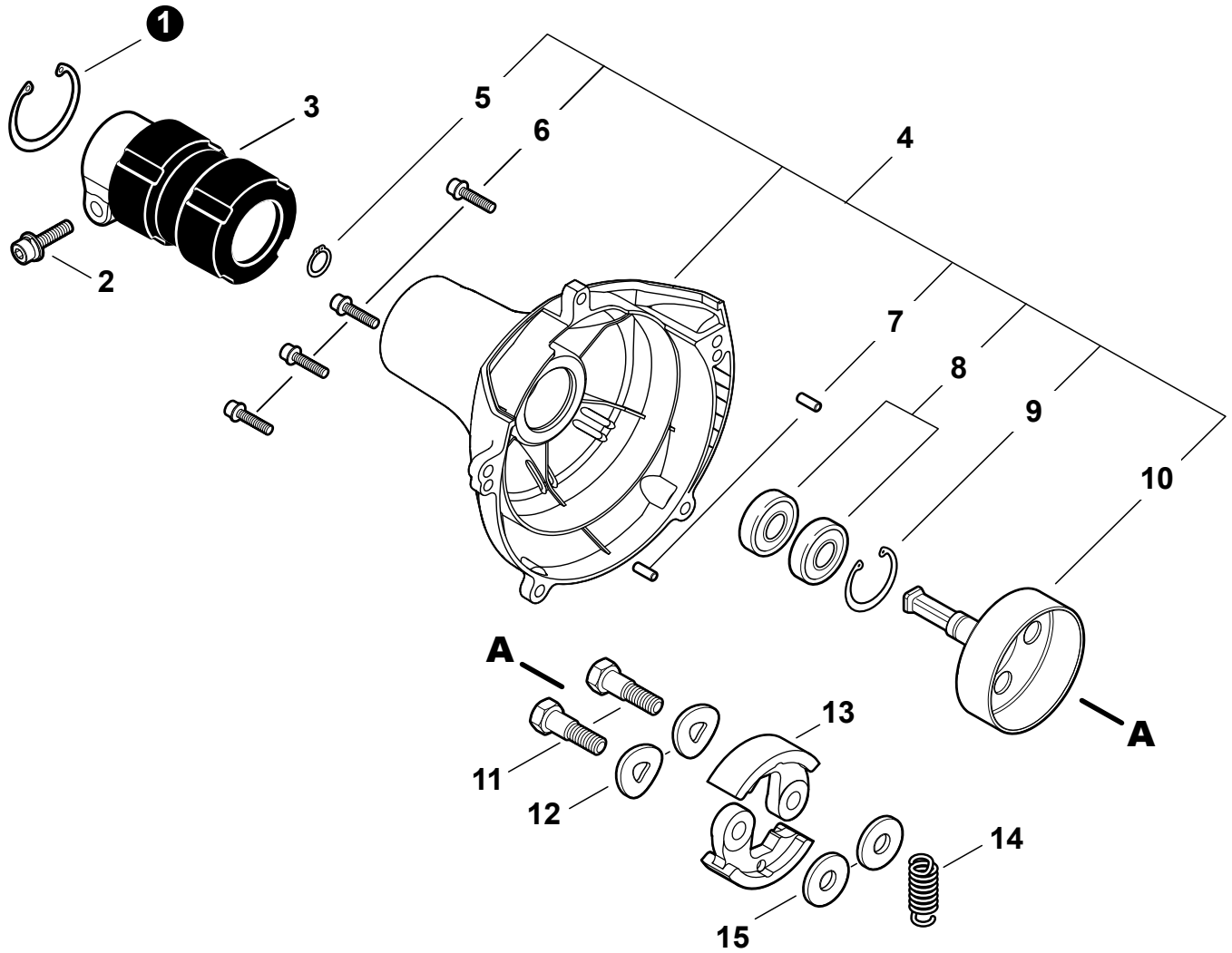
| NO. | PART NUMBER | QTY. | DESCRIPTION | DESCRIPCIÓN |
|-----|-------------|------|-------------------------------|--|
| 1 | 13100455530 | 1 | CAP ASY - ORANGE | CONJUNTO DE TAPA - NARANJA |
| 2 | 13101655830 | 1 | +GASKET | +JUNTA,TAPA |
| 3 | 13105156030 | 1 | +CONNECTOR, CAP | +CONECTOR,TAPA |
| 4 | 90016205020 | 3 | SCREW - 5x20 | TORNILLO - 5x20 |
| 5 | A175000040 | 1 | GUARD, FUEL TANK | PROTECTOR,TANQUE DE COMBUSTIBLE |
| 6 | A350000900 | 1 | TANK, FUEL | TANQUE, COMBUSTIBLE |
| 7 | 90106 | 1 | RePower FUEL SYSTEM KIT | KIT DEL SISTEMA DE CARBURANTE |
| 8 | 13201256030 | 1 | +PIPE - 3x6x80 -- CLEAR | +TUBO - 3x6x80 -- TRANSPARENTE |
| 9 | V470000580 | 1 | +PIPE - 3x5x195 -- BLACK | +TUBO - 3x5x195 -- NEGRO |
| 10 | A356000031 | 1 | +VENT, FUEL TANK | +RESPIRADERO,TANQUE DE COMBUSTIBLE |
| 11 | 13201326630 | 1 | +CLIP - 6.5 | +GANCHO - 6.5 |
| 12 | V471000110 | 1 | +PIPE - 3x6x115 -- BLACK | +TUBO - 3x6x115 -- NEGRO |
| 13 | 13211555930 | 1 | +GROMMET | +ANILLO DE GOMA |
| 14 | 13201309820 | 1 | +CLIP - 6 | +GANCHO - 6 |
| 15 | A3690000000 | 1 | +FILTER, FUEL | +FILTRO DE COMBUSTIBLE |
| 16 | 90125 | 1 | RePower TUNE-UP KIT | JUEGO DE PUESTA A PUNTO REPOWER |
| 17 | 90010 | 1 | RePower CAP AND VENT KIT | KIT REPOWER DE TAPA Y RESPIRADERO |
| 18 | 90017 | 1 | PIPE - 25 FT BULK 3x6mm CLEAR | TUBO 25 PIES AL POR MAYOR 3x6mm TRANSPARENTE |
| 19 | 90014 | 1 | PIPE - 25 FT BULK 3x5mm BLACK | TUBO 25 PIES AL POR MAYOR 3x5mm NEGRO |
| 20 | 90015 | 1 | PIPE - 25 FT BULK 3x6mm BLACK | TUBO 25 PIES AL POR MAYOR 3x6mm NEGRO |



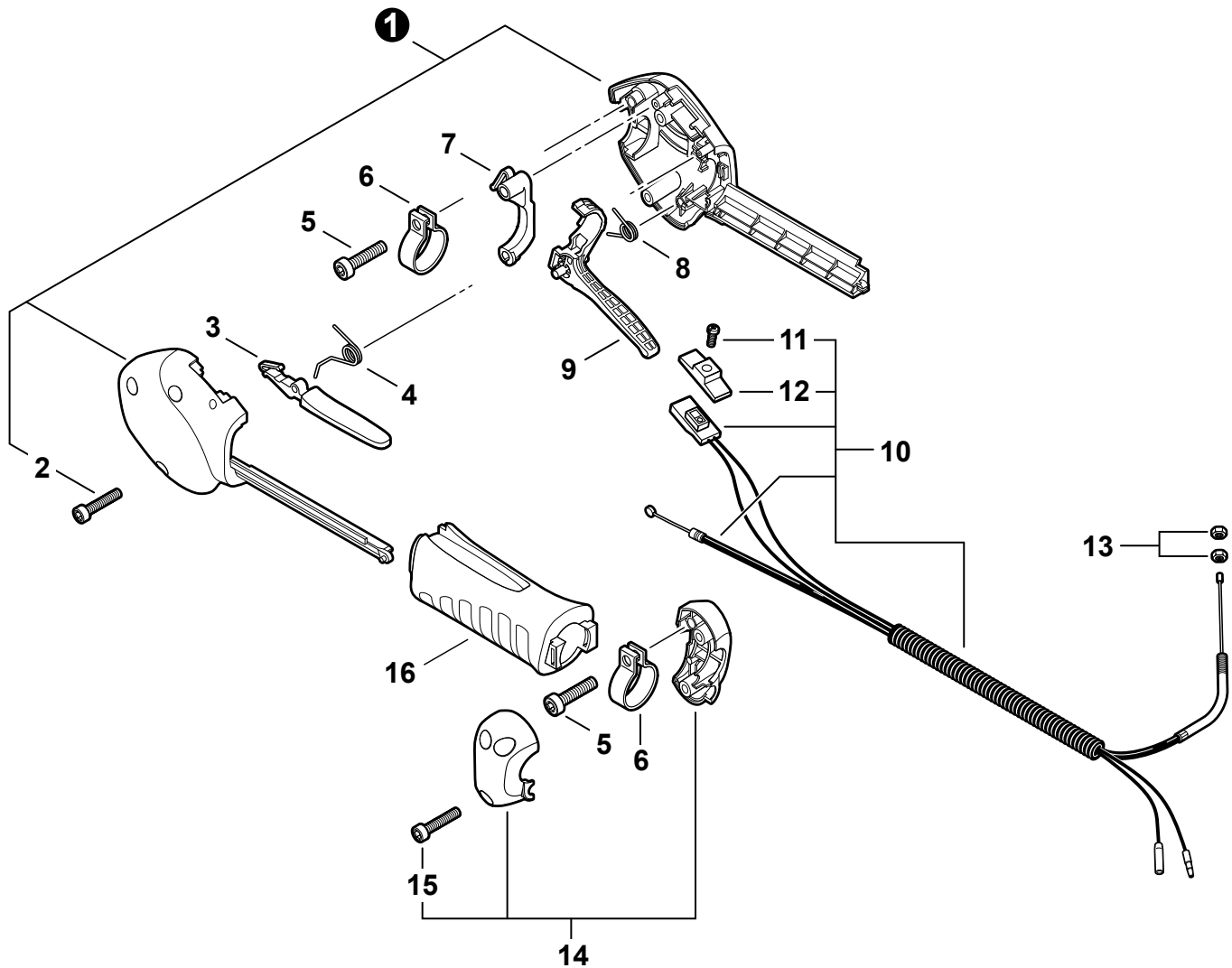
| NO. | PART NUMBER | QTY. | DESCRIPTION | DESCRIPCIÓN |
|-----|-------------|------|-------------------------------|--|
| 1 | A356000031 | 1 | VALVE,CHECK | RESPIRADERO DE TANQUE |
| 2 | 13201326630 | 1 | CLIP - 6.5 | SUJETADOR Ø6.5 |
| 3 | V471000110 | 1 | PIPE- 3×6×115 -- BLACK | TUBO 3×6×115 -- NEGRO |
| 4 | V471003600 | 1 | PIPE - 3×5×87 -- BLACK | TUBO - 3×5×87 -- NEGRO |
| 5 | 13201256030 | 1 | PIPE - 3×6×80 -- CLEAR | TUBO - 3×6×80 -- TRANSPARENTE |
| 6 | V490000510 | 1 | CLIP - BUTTERFLY | GANCHO, MARIPOSA |
| 7 | V186000500 | 2 | CONNECTOR, FUEL PIPE | CONECTOR,TUBO DE COMBUSTIBLE |
| 8 | 13211555930 | 1 | GROMMET, FUEL | ANILLO DE GOMA |
| 9 | V490001240 | 2 | CLIP - 6 | SUJETADOR Ø6 |
| 10 | V471003650 | 1 | PIPE - 3×5×125 -- BLACK | TUBO - 3×5×125 -- NEGRO |
| 11 | A369000000 | 1 | FUEL FILTER | FILTRO DE COMBUSTIBLE |
| 12 | P021040030 | 1 | CAP ASY - ORANGE | CONJUNTO DE TAPA - NARANJA |
| 13 | V107000150 | 1 | +GASKET,FUEL CAP | +JUNTA,TAPA |
| 14 | 13105156030 | 1 | +CONNECTOR,CAP | +CONECTOR,TAPA |
| 15 | A350000900 | 1 | TANK, FUEL | TANQUE DE COMBUSTIBLE |
| 16 | A175000040 | 1 | STAND | PROTECTOR, TANQUE DE COMBUSTIBLE |
| 17 | 90010605020 | 3 | SCREW - 5×20 | TORNILLO - 5×20 |
| 18 | 90248 | 1 | RePower CAP AND VENT KIT | KIT REPOWER DE TAPA Y RESPIRADERO |
| 19 | 90125 | 1 | RePower TUNE-UP KIT | JUEGO DE PUESTA A PUNTO REPOWER |
| 20 | 90017 | 1 | PIPE - 25 FT BULK 3×6mm CLEAR | TUBO 25 PIES AL POR MAYOR 3×6mm TRANSPARENTE |
| 21 | 90014 | 1 | PIPE - 25 FT BULK 3×5mm BLACK | TUBO 25 PIES AL POR MAYOR 3×5mm NEGRO |
| 22 | 90015 | 1 | PIPE - 25 FT BULK 3×6mm BLACK | TUBO 25 PIES AL POR MAYOR 3×6mm NEGRO |



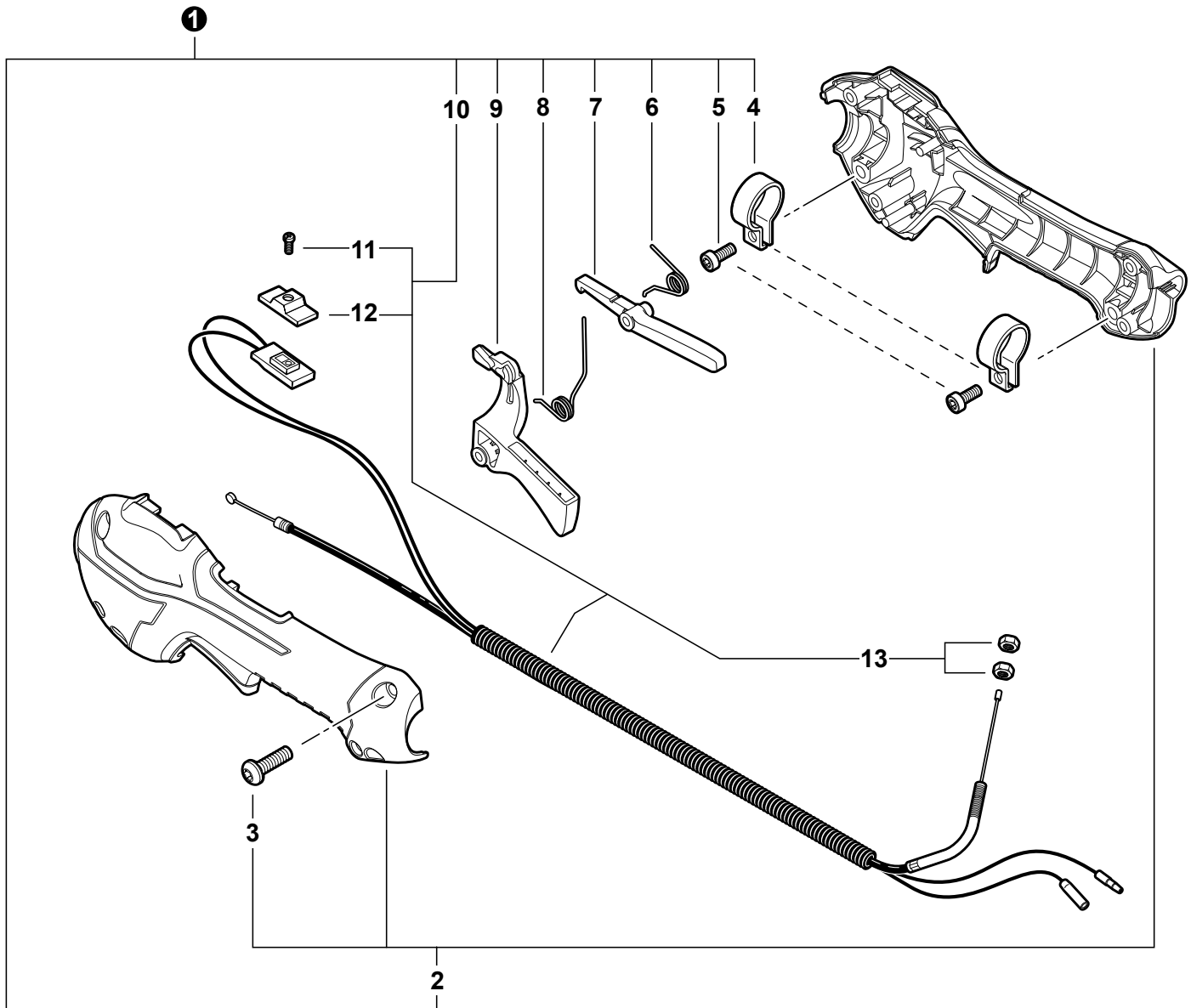
| NO. | PART NUMBER | QTY. | DESCRIPTION | DESCRIPCIÓN |
|-----|-------------------|------|------------------------------|---|
| 1 | 90010605025 | 2 | SCREW - 5×25 | PERNO 5×25 |
| 2 | 90010605010 | 1 | SCREW - 5×10 | TORNILLO 5×10 |
| 3 | P021013900 | 1 | MAIN PIPE FIXTURE KIT | JUEGO DE SOPORTE DE TUBO PRINCIPAL |
| 4 | V420001400 | 1 | +CUSHION | +AMORTIGUADOR |
| 5 | 90010605020 | 4 | SCREW - 5×20 | TORNILLO 5×20 |
| 6 | P021013810 | 1 | FAN CASE ASY | MONTAJE DE CARCASA DEL VENTILADOR |
| 7 | 90070100012 | 1 | +RING, RETAINING - 12 | +ANILLO DE RETENCIÓN - 12 |
| 8 | 90033040080 | 2 | +PIN, DOWEL | +CLAVIJA GUÍA |
| 9 | 90080796001 | 2 | +BEARING, BALL - 6001 | +COJINETE DE BALINES - 6001 |
| 10 | 90070200028 | 1 | +RING, RETAINING - 28 | +ANILLO DE RETENCIÓN - 28 |
| 11 | A556000420 | 1 | +DRUM, CLUTCH | +TAMBOR EMBRAGUE |
| 12 | 17504656030 | 2 | BOLT, CLUTCH | PERNO DEL EMBRAGUE |
| 13 | 17504956030 | 2 | WASHER - SPRING | ARANDELA DE PRESION |
| 14 | A553000050 | 2 | SHOE, CLUTCH | ZAPATA DE EMBRAGUE |
| 15 | A566000020 | 1 | SPRING, CLUTCH | RESORTE DEL EMBRAGUE |
| 16 | 17504805530 | 2 | WASHER - 6 | ARANDELA |



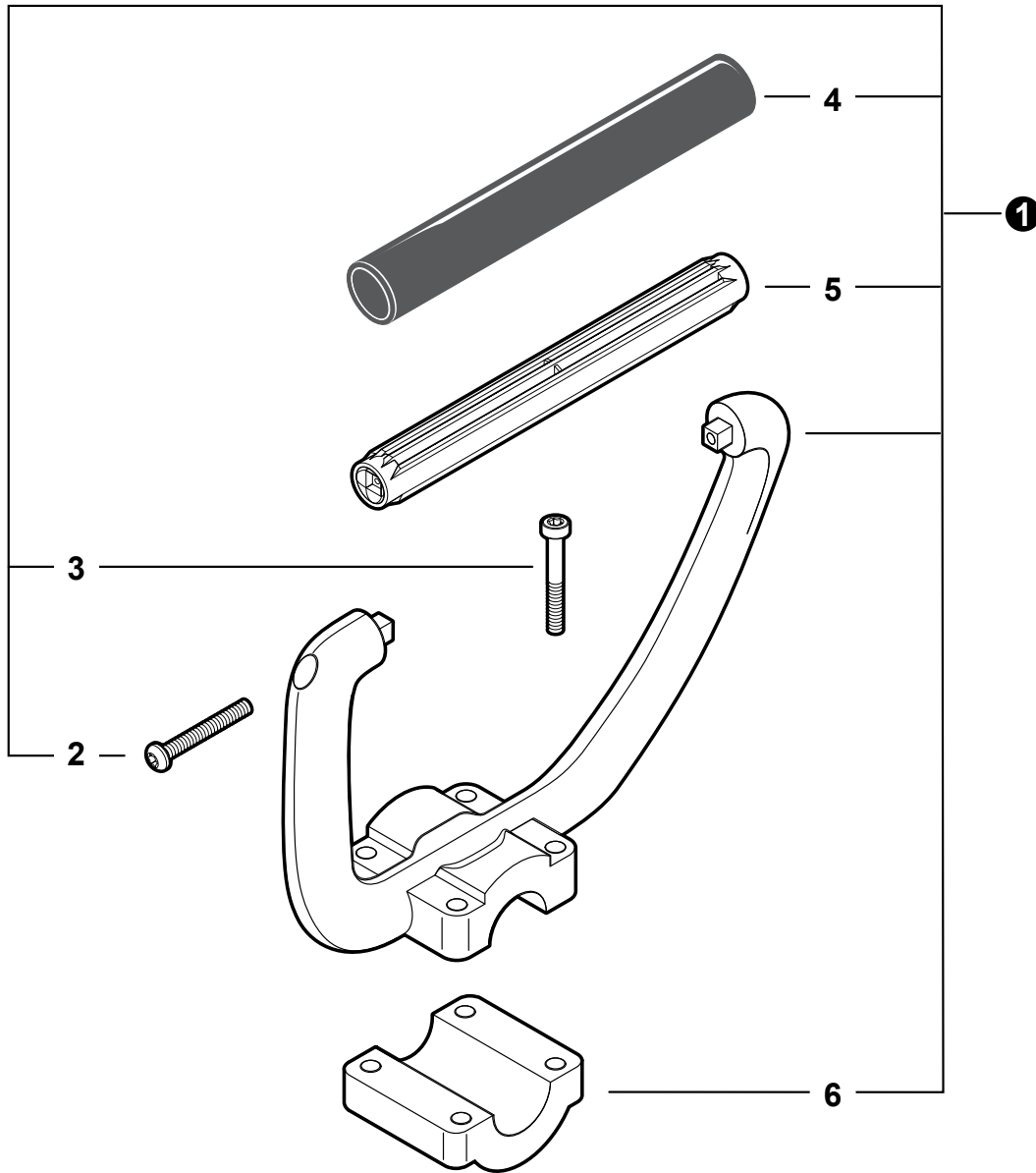
| NO. | PART NUMBER | QTY. | DESCRIPTION | DESCRIPCIÓN |
|-----|-------------------|----------|-----------------------|--|
| 1 | 90070200042 | 1 | CIRCLIP 42 | RING, RETAINING - 42 |
| 2 | 90016205028 | 1 | BOLT, H.S. 5×28 | PERNO - 5×28 |
| 3 | 61092255931 | 1 | HOLDER, MAIN PIPE | SOPORTE, TUBO PRINCIPAL |
| 4 | P021046390 | 1 | FAN CASE ASY | MONTAJE DE CARCASA DEL VENTILADOR |
| 5 | 90070100012 | 1 | +RING, RETAINING - 12 | +ANILLO DE RETENCIÓN - 12 |
| 6 | 90010605020 | 4 | +SCREW - 5×20 | +TORNILLO 5×20 |
| 7 | 90033040080 | 2 | +PIN, DOWEL | +CLAVIJA GUÍA |
| 8 | 9405106001 | 2 | +BEARING, BALL - 6001 | +COJINETE DE BALINES - 6001 |
| 9 | 90070200028 | 1 | +RING, RETAINING - 28 | +ANILLO DE RETENCIÓN - 28 |
| 10 | A556000420 | 1 | +DRUM, CLUTCH | +TAMBOR EMBRAGUE |
| 11 | 17504656030 | 2 | BOLT, CLUTCH | PERNO DEL EMBRAGUE |
| 12 | 17504956030 | 2 | WASHER - SPRING | ARANDELA DE PRESION |
| 13 | A553000050 | 2 | SHOE, CLUTCH | ZAPATA DE EMBRAGUE |
| 14 | A566000020 | 1 | SPRING, CLUTCH | RESORTE DEL EMBRAGUE |
| 15 | 17504805530 | 2 | WASHER - 6 | ARANDELA |



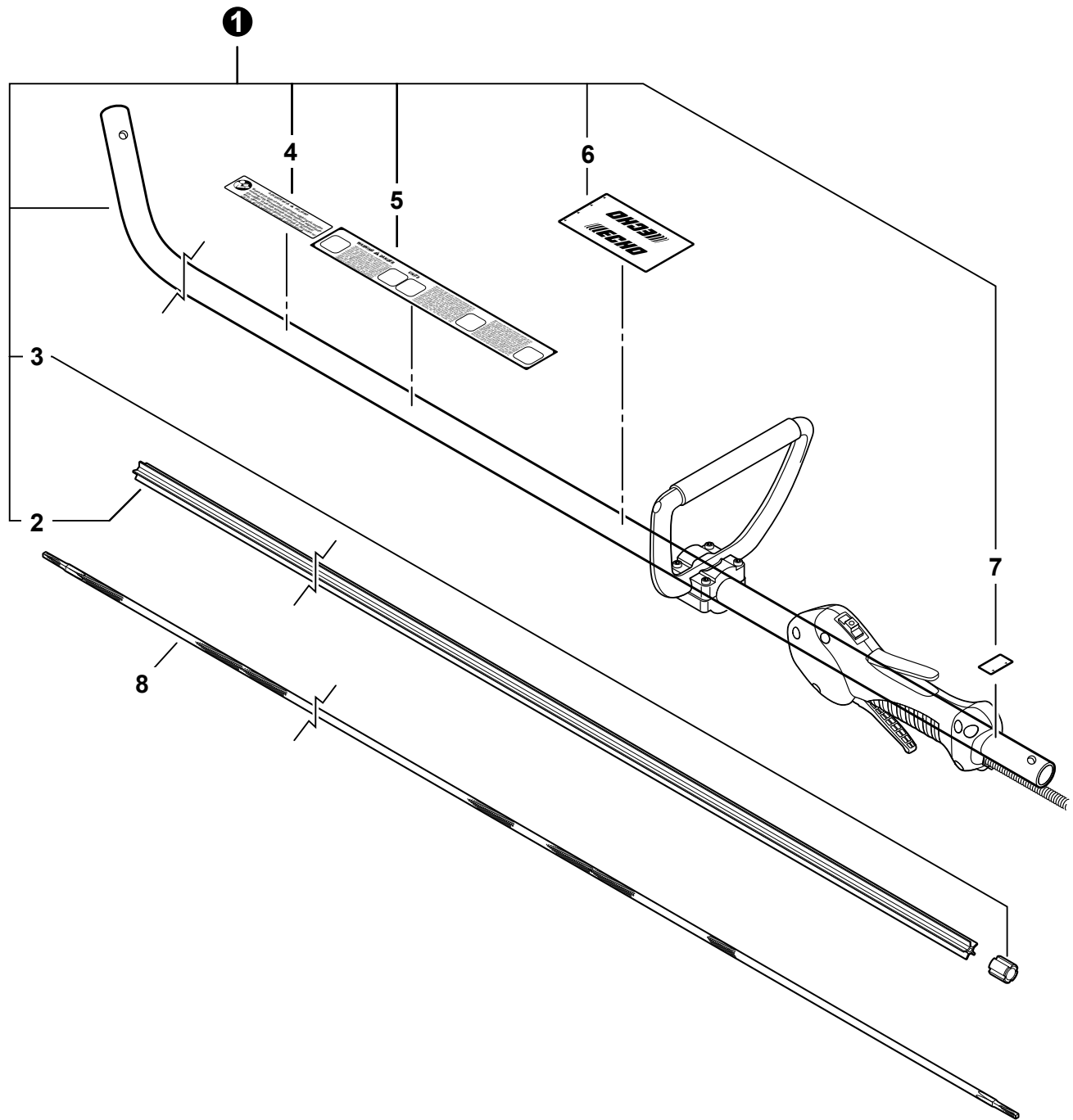
| NO. | PART NUMBER | QTY. | DESCRIPTION | DESCRIPCIÓN |
|-----|-------------|------|--------------------------|----------------------------------|
| 1 | P021009961 | 1 | CONTROL HANDLE KIT | KIT DE MANGO DE CONTROL |
| 2 | 88995021060 | 2 | +SCREW - 4×22 -- TAPPING | +TORNILLO - 4×22 -- AUTOROSCANTE |
| 3 | C460000051 | 1 | LEVER, THROTTLE LOCKOUT | PALANCA, BLOQUEO |
| 4 | V452000240 | 1 | SPRING, LEVER RETURN | RESORTE, RETORNO DE LA PALANCA |
| 5 | 90016205020 | 2 | SCREW - 5×20 | TORNILLO - 5×20 |
| 6 | V495000680 | 2 | CLAMP | ABRAZADERA |
| 7 | C453000151 | 1 | LOCKOUT, TRIGGER | TRABA, GATILLO |
| 8 | V452000210 | 1 | SPRING, TRIGGER | RESORTE, GATILLO |
| 9 | C450000183 | 1 | TRIGGER, THROTTLE | GATILLO, ACELERADOR |
| 10 | V043000100 | 1 | CONTROL CABLE ASY | MONTAJE DE CABLE DE CONTROL |
| 11 | 9154503010 | 1 | +SCREW - 3×10 | +TORNILLO - 3×10 |
| 12 | A444000020 | 1 | +KNOB, SWITCH - ORANGE | +PERILLA, INTERRUPTOR - NARANJA |
| 13 | 90050200006 | 2 | NUT - 6 | TUERCA - 6 |
| 14 | P021009970 | 1 | HANDLE FIXTURE KIT | KIT DE ADITAMENTO DE MANGO |
| 15 | 88995021060 | 2 | +SCREW - 4×22 -- TAPPING | +TORNILLO - 4×22 -- AUTOROSCANTE |
| 16 | C412000090 | 1 | GRIP, HANDLE | AGARRE, MANGO |



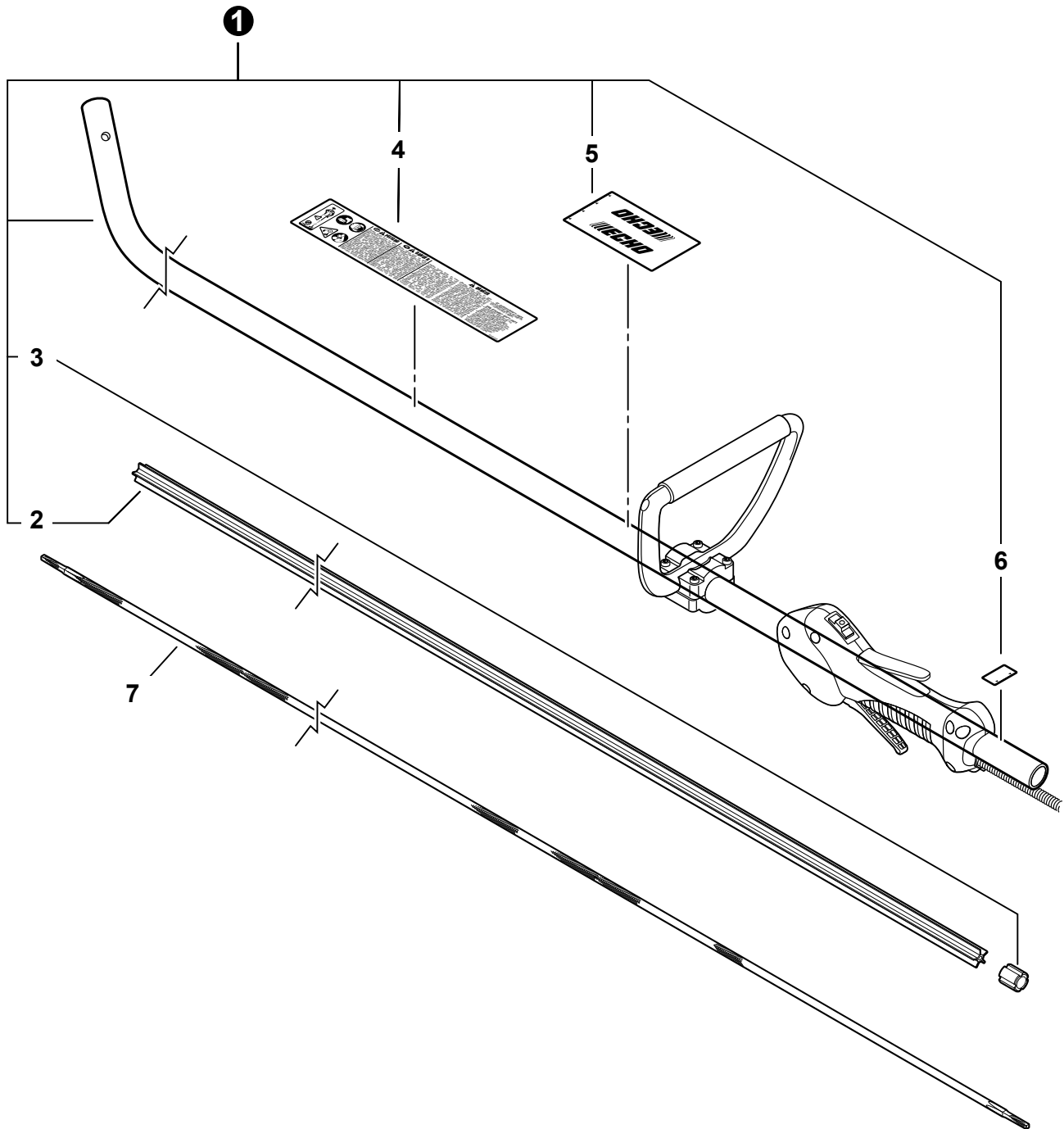
| NO. | PART NUMBER | QTY. | DESCRIPTION | DESCRIPCIÓN |
|-----|-------------|------|--------------------------|----------------------------------|
| 1 | P021044380 | 1 | CONTROL HANDLE ASSY | CONJUNTO DE MANGO DE CONTROL |
| 2 | P021044370 | 1 | +CONTROL HANDLE KIT | +KIT DE MANGO DE CONTROL |
| 3 | V805000000 | 4 | ++SCREW - 5×16 | ++TORNILLO - 5×16 |
| 4 | V495003020 | 2 | +CLAMP | +ABRAZADERA |
| 5 | V805000150 | 2 | +SCREW - 5×16 | +TORNILLO - 5×16 |
| 6 | V452001510 | 1 | +SPRING, LOCKOUT LEVER | +RESORTE, BLOQUEO DEL ACELERADOR |
| 7 | C460000441 | 1 | +LEVER, THROTTLE LOCKOUT | +PALANCA, BLOQUEO |
| 8 | V452001520 | 1 | +SPRING, TRIGGER | +RESORTE, GATILLO |
| 9 | C453000482 | 1 | +TRIGGER, THROTTLE | +GATILLO, ACELERADOR |
| 10 | P021044740 | 1 | +CONTROL CABLE ASSY | +CONJUNTO DE CABLE DE CONTROL |
| 11 | 9154503010 | 1 | ++SCREW - 3×10 | ++TORNILLO - 3×10 |
| 12 | A444000020 | 1 | ++KNOB, SWITCH - ORANGE | ++PERILLA, INTERRUPTOR - NARANJA |
| 13 | 90050200006 | 2 | ++NUT - 6 | ++TUERCA - 6 |



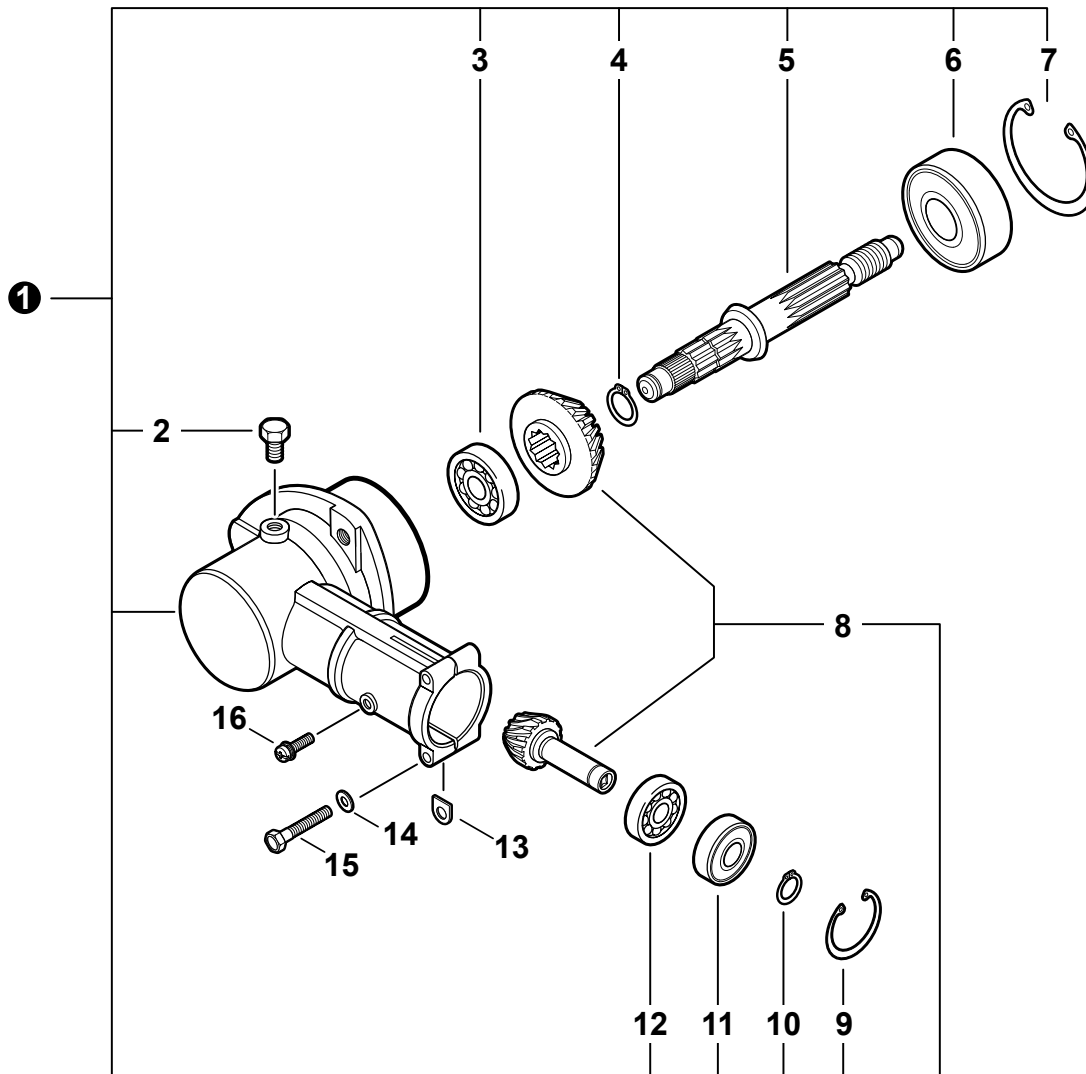
| NO. | PART NUMBER | QTY. | DESCRIPTION | DESCRIPCIÓN |
|-----|-------------|------|--------------------------|----------------------------------|
| 1 | P021012410 | 1 | LOOP HANDLE ASY | CONJUNTO DE MANGO DE LAZO |
| 2 | 90024605030 | 2 | +SCREW - 5×30 -- TAPPING | +TORNILLO - 5×30 -- AUTOROSCANTE |
| 3 | 90024205035 | 4 | +SCREW - 5×35 | +TORNILLO - 5×35 |
| 4 | 35121351730 | 1 | +GRIP, HANDLE | +AGARRE, MANGO |
| 5 | 35121051730 | 1 | +HANDLE | +MANGO |
| 6 | C423000300 | 1 | +BRACKET, HANDLE - LOWER | +SOPORTE, MANGO - INFERIOR |



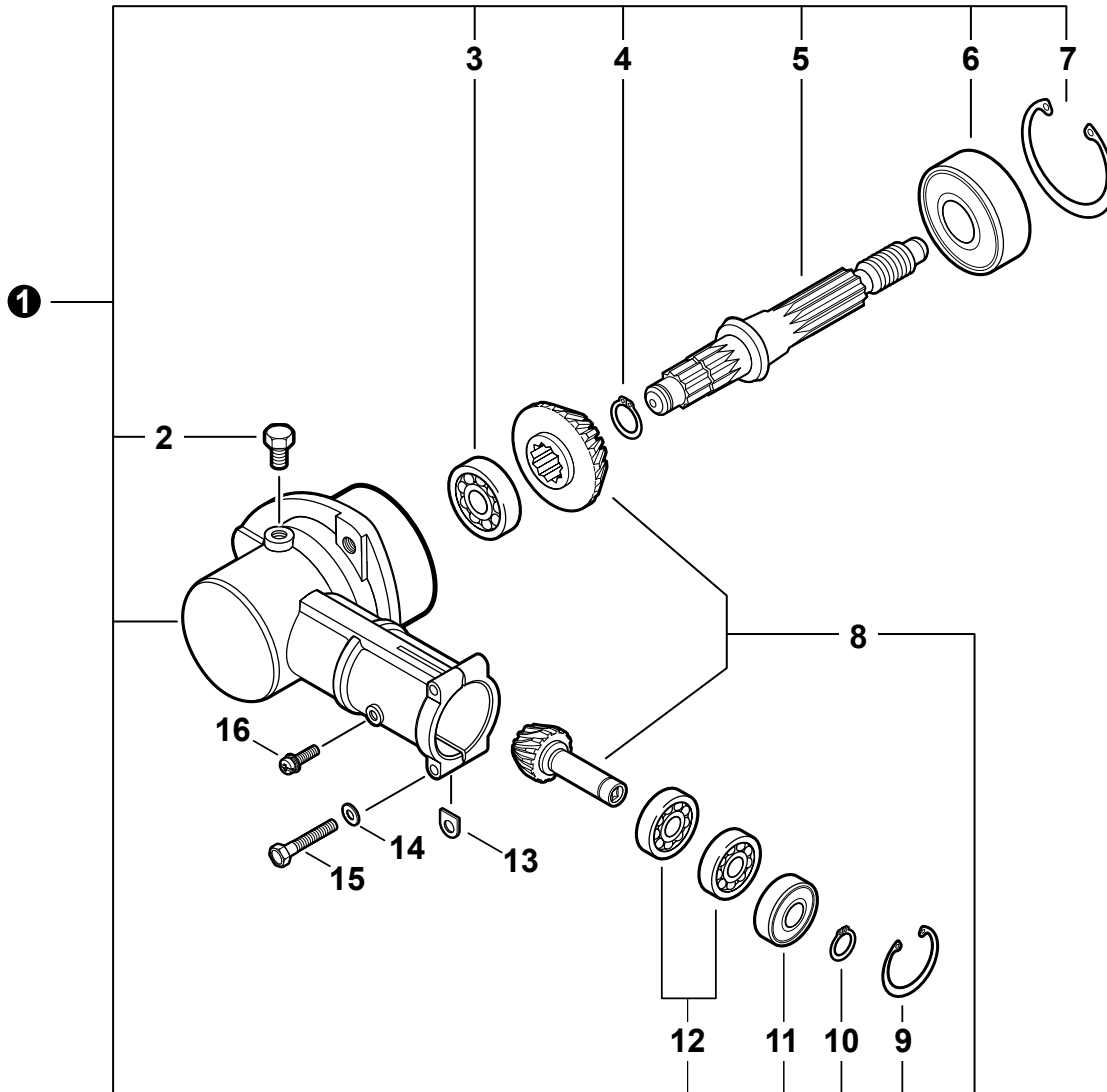
| NO. | PART NUMBER | QTY. | DESCRIPTION | DESCRIPCIÓN |
|-----|-------------|------|-----------------------------|-----------------------------------|
| 1 | C050000850 | 1 | MAIN PIPE ASY | CONJUNTO DE TUBO PRINCIPAL |
| 2 | C507000260 | 1 | +LINER - FLEXIBLE | +FORRO - FLEXIBLE |
| 3 | 61024644730 | 1 | +STOPPER | +DETENEDOR |
| 4 | 89016052631 | 1 | +LABEL - CAUTION -- SPANISH | +ETIQUETA - PRECAUCIÓN -- ESPAÑOL |
| 5 | 89016025560 | 1 | +LABEL - CAUTION | +ETIQUETA - PRECAUCIÓN |
| 6 | X505001930 | 1 | +LABEL - HANDLE LOCATION | +ETIQUETA - UBICACIÓN DEL MANGO |
| 7 | 89015204930 | 1 | +LABEL - ALIGNMENT | +ETIQUETA - ALINEACIÓN |
| 8 | C506000150 | 1 | DRIVESHAFT - FLEXIBLE | EJE DE MANDO - FLEXIBLE |



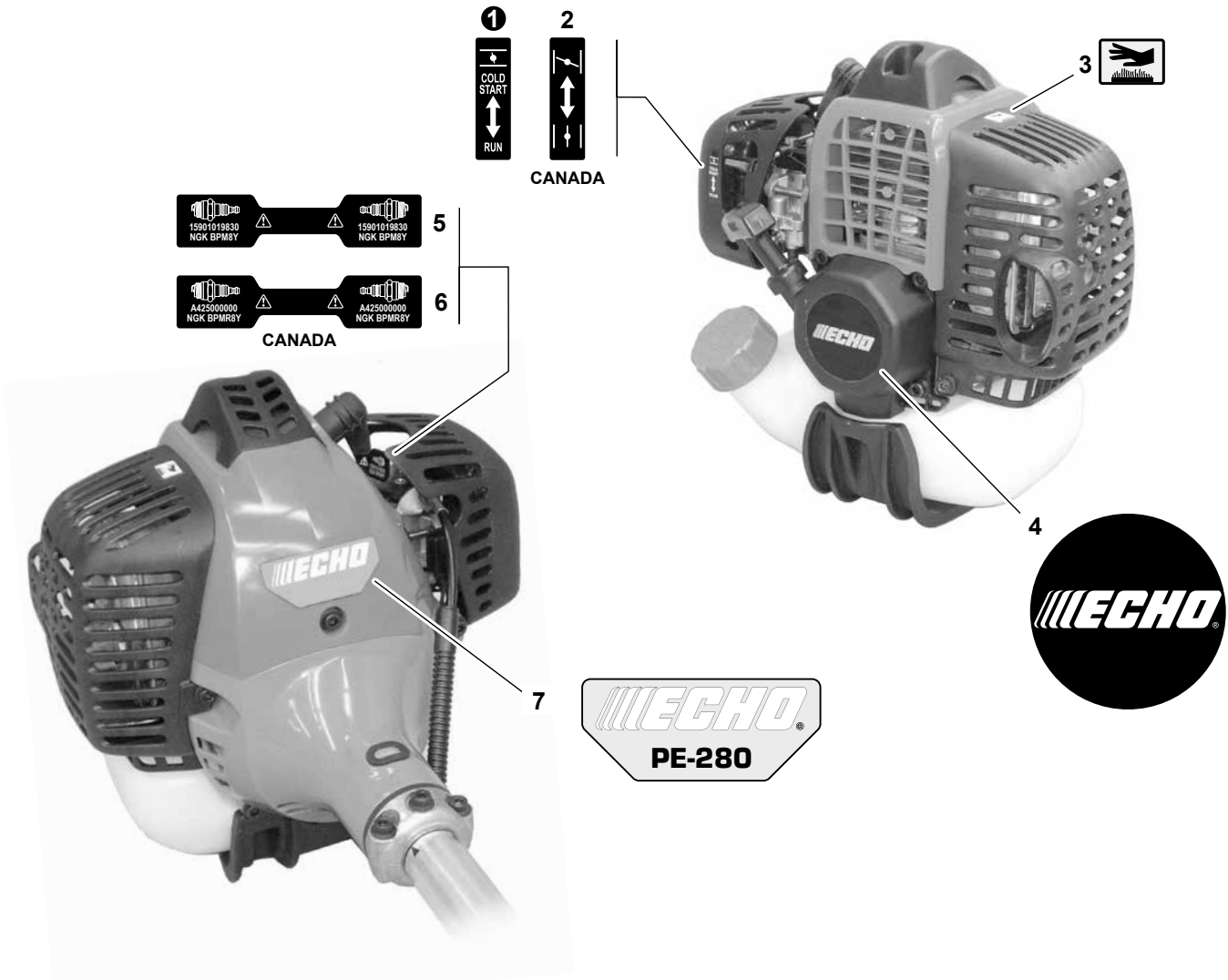
| NO. | PART NUMBER | QTY. | DESCRIPTION | DESCRIPCIÓN |
|-----|-------------|------|--------------------------|---------------------------------|
| 1 | C050002800 | 1 | MAIN PIPE ASY | CONJUNTO DE TUBO PRINCIPAL |
| 2 | C507000260 | 1 | +LINER - FLEXIBLE | +FORRO - FLEXIBLE |
| 3 | 61024644730 | 1 | +STOPPER | +DETENEDOR |
| 4 | X505002510 | 1 | +LABEL - CAUTION | +ETIQUETA - PRECAUCIÓN |
| 5 | X505001930 | 1 | +LABEL - HANDLE LOCATION | +ETIQUETA - UBICACIÓN DEL MANGO |
| 6 | 89015204930 | 1 | +LABEL - ALIGNMENT | +ETIQUETA - ALINEACIÓN |
| 7 | C506000390 | 1 | DRIVESHAFT - FLEXIBLE | EJE DE MANDO - FLEXIBLE |



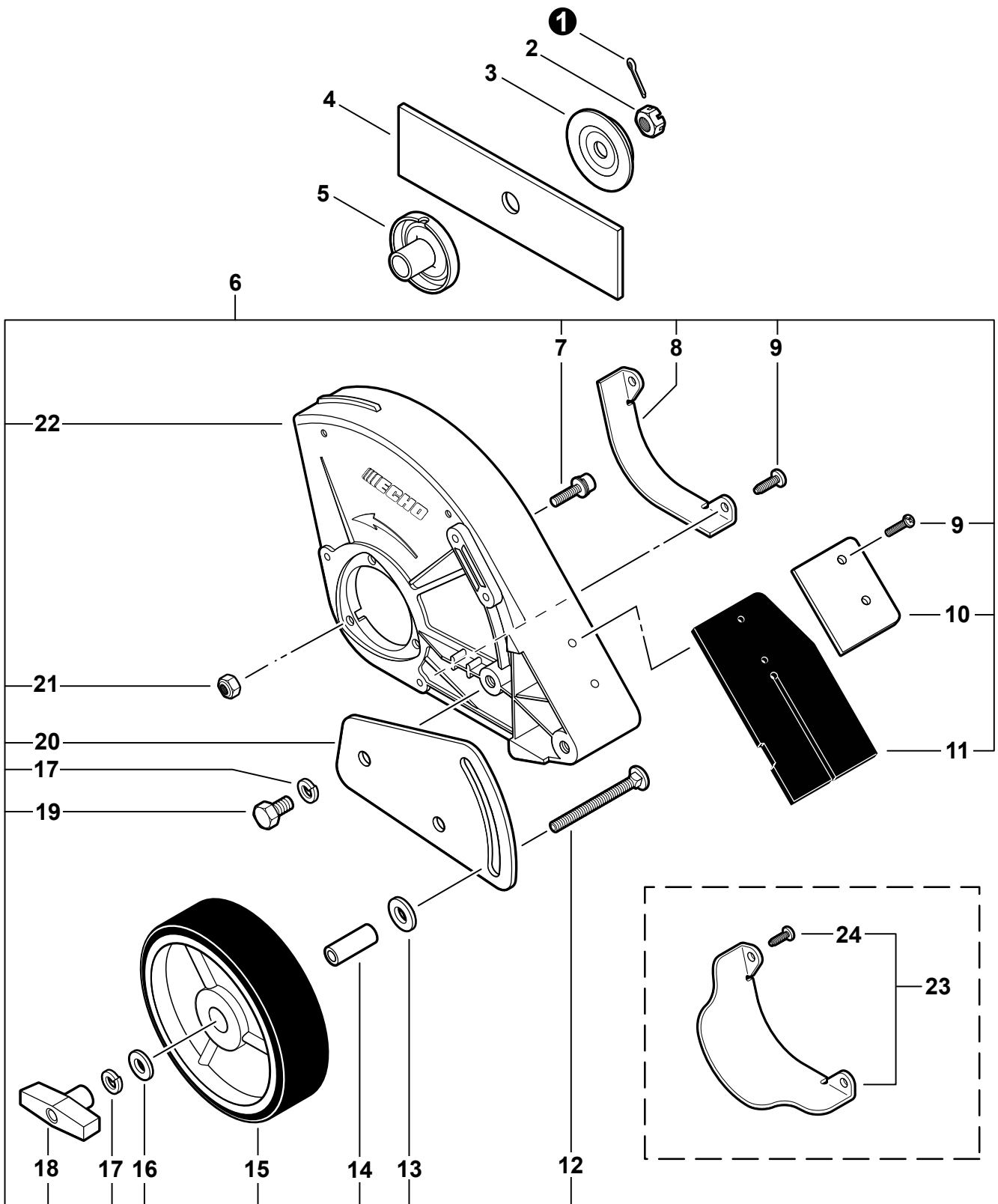
| NO. | PART NUMBER | QTY. | DESCRIPTION | DESCRIPCIÓN |
|-----|-------------|------|------------------------|--------------------------------|
| 1 | C051000101 | 1 | GEAR CASE ASY | CONJUNTO DE CAJA DE ENGRANAJES |
| 2 | 61043450031 | 1 | +BOLT - 8x8 | +PERNO - 8x8 |
| 3 | 90081000629 | 1 | +BEARING, BALL - 629 | +COJINETE DE BOLAS - 629 |
| 4 | 90070600012 | 1 | +RING, RETAINING - 12 | +ANILLO, RETÉN - 12 |
| 5 | C534000220 | 1 | +GEAR, SHAFT | +ENGRANAJE, EJE |
| 6 | 90081206302 | 1 | +BEARING, BALL - 609 | +COJINETE DE BOLAS - 609 |
| 7 | 90070200042 | 1 | +RING, RETAINING - 42 | +ANILLO, RETÉN - 42 |
| 8 | P021006500 | 1 | +GEAR SET | +JUEGO DE ENGRANAJES |
| 9 | 90070200022 | 1 | +RING, RETAINING - 22 | +ANILLO, RETÉN - 22 |
| 10 | 90070600010 | 1 | +RING, RETAINING - 10 | +ANILLO, RETÉN - 10 |
| 11 | 90085806900 | 1 | +BEARING, BALL - 6900Z | +COJINETE DE BOLAS - 6900ZZ |
| 12 | 90085506900 | 1 | +BEARING, BALL - 6900 | +COJINETE DE BOLAS - 6900 |
| 13 | 61023904130 | 2 | WASHER, SHIM | ARANDELA, ESPACIADORA |
| 14 | 90060000005 | 2 | WASHER | ARANDELA |
| 15 | 90010005030 | 2 | BOLT - 5x30 | PERNO - 5x30 |
| 16 | 90024205012 | 1 | SCREW - 5x12 | TORNILLO - 5x12 |



| NO. | PART NUMBER | QTY. | DESCRIPTION | DESCRIPCIÓN |
|-----|-------------|------|------------------------|--------------------------------|
| 1 | C051000351 | 1 | GEAR CASE ASY | CONJUNTO DE CAJA DE ENGRANAJES |
| 2 | 61043450031 | 1 | +BOLT - 8x8 | +PERNO - 8x8 |
| 3 | 9406000629 | 1 | +BEARING, BALL - 629 | +COJINETE DE BOLAS - 629 |
| 4 | 90070600012 | 1 | +RING, RETAINING - 12 | +ANILLO, RETÉN - 12 |
| 5 | C534000510 | 1 | +GEAR, SHAFT | +ENGRANAJE, EJE |
| 6 | 90081206302 | 1 | +BEARING, BALL - 609 | +COJINETE DE BOLAS - 609 |
| 7 | 90070200042 | 1 | +RING, RETAINING - 42 | +ANILLO, RETÉN - 42 |
| 8 | V000000070 | 1 | +GEAR SET | +JUEGO DE ENGRANAJES |
| 9 | 90070200022 | 1 | +RING, RETAINING - 22 | +ANILLO, RETÉN - 22 |
| 10 | 90070600010 | 1 | +RING, RETAINING - 10 | +ANILLO, RETÉN - 10 |
| 11 | 90085806900 | 1 | +BEARING, BALL - 6900Z | +COJINETE DE BOLAS - 6900ZZ |
| 12 | 90085506900 | 2 | +BEARING, BALL - 6900 | +COJINETE DE BOLAS - 6900 |
| 13 | 61023904130 | 2 | WASHER, SHIM | ARANDELA, ESPACIADORA |
| 14 | 90060000005 | 2 | WASHER | ARANDELA |
| 15 | 90010005030 | 2 | BOLT - 5x30 | PERNO - 5x30 |
| 16 | 90024205012 | 1 | SCREW - 5x12 | TORNILLO - 5x12 |



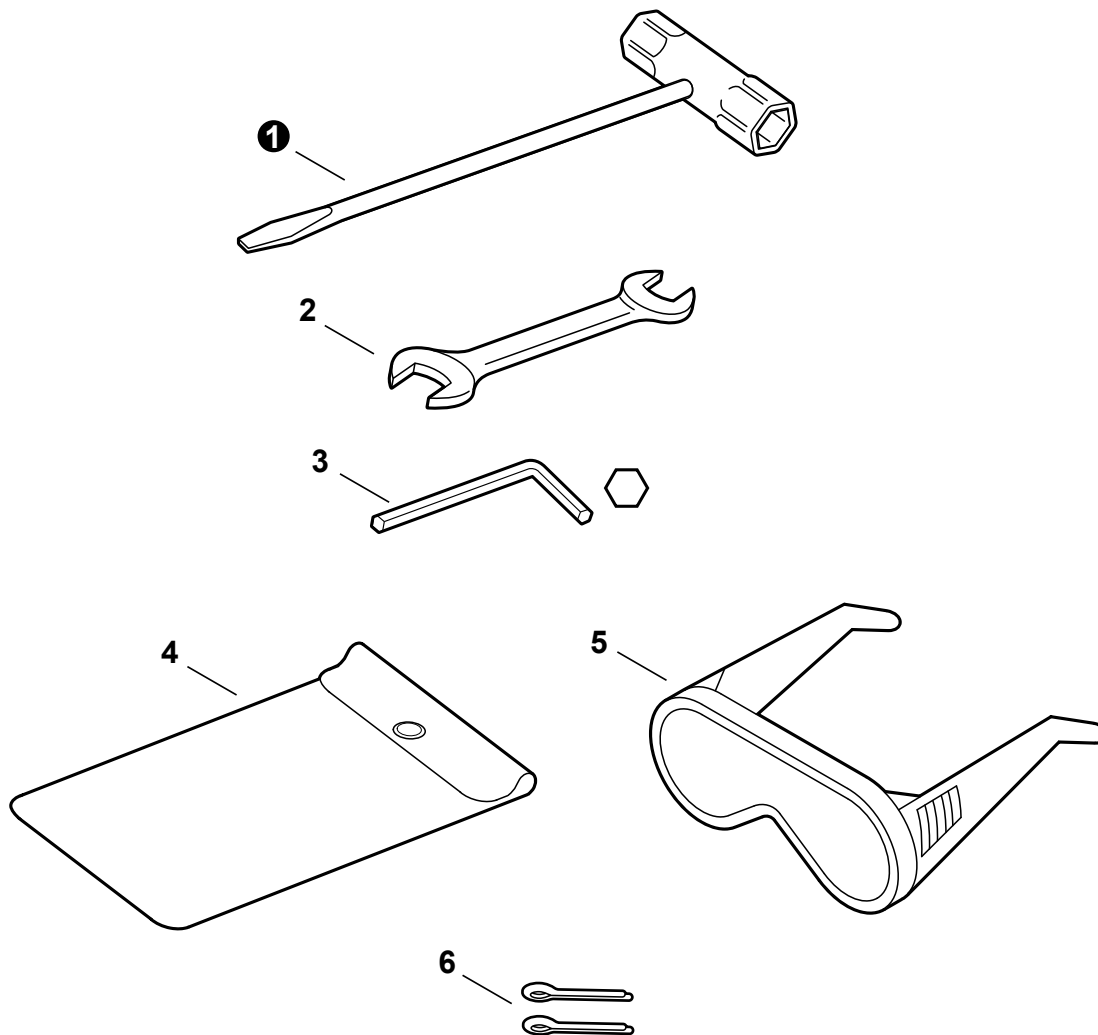
| NO. | PART NUMBER | QTY. | DESCRIPTION | DESCRIPCIÓN |
|-----|-------------|------|------------------------------|-----------------------------------|
| 1 | 89012152730 | 1 | LABEL - CHOKE | ETIQUETA - AHOGADOR |
| 2 | 89033252730 | 1 | LABEL - CHOKE | ETIQUETA - AHOGADOR |
| 3 | X505002310 | 1 | LABEL - CAUTION -- HOT | ETIQUETA - PRECAUCIÓN -- CALIENTE |
| 4 | X502000330 | 1 | LABEL - ECHO | ETIQUETA - ECHO |
| 5 | X532000671 | 1 | LABEL - SPARK PLUG -- BPM8Y | ETIQUETA - BUJÍA -- BPM8Y |
| 6 | X532000720 | 1 | LABEL - SPARK PLUG -- BPMR8Y | ETIQUETA - BUJÍA -- BPMR8Y |
| 7 | X547000900 | 1 | LABEL - MODEL -- PE-280 | ETIQUETA - MODELO -- PE-280 |



| NO. | PART NUMBER | QTY. | DESCRIPTION | DESCRIPCIÓN |
|-----------|-------------------|----------|---------------------------------------|---|
| 1 | 90030020022 | 1 | PIN, SPLIT - 2x22 | PASADOR DIVIDIDO - 2x22 |
| 2 | 90051300010 | 1 | LOCKNUT - LEFT HAND | CONTRATUERCA -- ROSCA IZQUIERDA |
| 3 | C535000150 | 1 | ADAPTER, BLADE - LOWER | ADAPTADOR, CUCHILLA - INFERIOR |
| 4 | 69601552632 | 1 | BLADE, EDGER | CUCHILLA, RECORTADORA |
| 5 | C535000100 | 1 | ADAPTER, BLADE - UPPER | ADAPTADOR, CUCHILLA - SUPERIOR |
| 6 | P021011730 | 1 | EDGER SHIELD KIT | KIT DE PROTECTOR - RECORTADORA DE BORDES |
| 7 | 90016205025 | 3 | +SCREW - 5x25 | +TORNILLO - 5x25 |
| 8 | 69902552630 | 1 | +GUARD | +PROTECTOR |
| 9 | 90025304012 | 4 | +SCREW - 4x12 -- TAPPING | +TORNILLO - 4x12 -- AUTOROSCANTE |
| 10 | C552000101 | 1 | +PLATE, FLAP | +PLACA, ALETA |
| 11 | C550000110 | 1 | +FLAP, DEBRIS | +ALETA, RESIDUOS |
| 12 | 61025055330 | 1 | +BOLT - CARRIAGE | +PERNO - DE CARRUAJE |
| 13 | 90060200010 | 1 | +WASHER - 10 | +ARANDELA - 10 |
| 14 | 30242452630 | 1 | +COLLAR - 12 | +ESPACIADOR - 12 |
| 15 | C730000030 | 1 | +WHEEL - 6x1.5 | +RUEDA - 6x1,5 |
| 16 | 90060200008 | 1 | +WASHER - 8 | +ARANDELA - 8 |
| 17 | 90060500008 | 3 | +LOCKWASHER - 8 | +ARANDELA DE PRESIÓN - 8 |
| 18 | 17811355330 | 1 | +WINGNUT - 5/16-18 | +TUERCA MARIPOSA - 5/16-18 |
| 19 | 90010008014 | 2 | +BOLT - 8x14 | +PERNO - 8x14 |
| 20 | 30202955332 | 1 | +BRACKET,WHEEL | +SOPORTE, RUEDA |
| 21 | 90056250005 | 3 | +LOCKNUT - 5 | +CONTRATUERCA - 5 |
| 22 | C550000121 | 1 | +SHIELD, BLADE | +PROTECTOR, CUCHILLA |
| 23 | 900104 | 1 | SHIELD GUARD KIT⁽¹⁾ | KIT DE SUB-PROTECTOR⁽¹⁾ |
| 24 | 90025304012 | 2 | +SCREW - 4x12 -- TAPPING | +TORNILLO - 4x12 -- AUTOROSCANTE |

(FOOTNOTE) 1 - OPTIONAL - REPLACES ITEMS 8-9

(NOTA DEL PIE) 1 - OPTIONAL - REPLACES ITEMS 8-9



| NO. | PART NUMBER | QTY. | DESCRIPTION | DESCRIPCIÓN |
|-----|-------------|------|--------------------|----------------------------|
| 1 | X602000020 | 1 | T-WRENCH - 17×19mm | LLAVE DE TUERCAS - 17×19mm |
| 2 | 89511200330 | 1 | SPANNER - 8×10mm | SPANNER - 8×10mm |
| 3 | X605000100 | 1 | KEY - HEX -- 4mm | KEY - HEX -- 4mm |
| 4 | 89851039130 | 1 | BAG,TOOL | BOLSA DE HERRAMIENTAS |
| 5 | X690000080 | 1 | GOGGLES | PROTECTORES DE LA VISTA |
| 6 | 90030020022 | 2 | PIN, SPLIT - 2×22 | PASADOR DIVIDIDO - 2×22 |

| NO. | PART NUMBER | QTY. | DESCRIPTION | DESCRIPCIÓN |
|-----|--------------------|----------|--------------------------------------|---|
| | 90125 | 1 | RePower TUNE-UP KIT | JUEGO DE PUESTA A PUNTO REPOWER |
| | A226000472 | 1 | +FILTER, AIR - DOUBLE LAYER | +FILTRO DE AIRE - CAPA DOBLE |
| | A425000000 | 1 | +SPARK PLUG - BPMR8Y | +BUJÍA BPMR8Y |
| | A369000000 | 1 | +FILTER, FUEL | +FILTRO DE COMBUSTIBLE |
| | A226000371 | 1 | +PRE-FILTER - FOAM | +ALMOHADILLA, PRE-FILTRO |
| | 90010 | 1 | RePower CAP AND VENT KIT | KIT REPOWER DE TAPA Y RESPIRADERO |
| | ----- | 1 | +CAP | +TAPA |
| | 13101655830 | 1 | +GASKET | +JUNTA |
| | A356000031 | 1 | +VENT, FUEL TANK | +RESPIRADERO, TANQUE DE COMBUSTIBLE |
| | 90248 | 1 | RePower CAP AND VENT KIT | KIT REPOWER DE TAPA Y RESPIRADERO |
| | ----- | 1 | +CAP | +TAPA |
| | V107000150 | 1 | +GASKET | +JUNTA |
| | A356000031 | 1 | +VENT, FUEL TANK | +RESPIRADERO, TANQUE DE COMBUSTIBLE |
| | P021013800 | 1 | GASKET KIT | KIT DE JUNTAS |
| | V100000201 | 1 | +GASKET, CYLINDER | +JUNTA, CILINDRO |
| | V102000030 | 1 | +GASKET, CRANKCASE | +JUNTA, CÁRTER |
| | V103000160 | 1 | +GASKET, INTAKE | +JUNTA, ADMISIÓN |
| | V103000380 | 1 | +GASKET, INTAKE | +JUNTA, ADMISIÓN |
| | V104000790 | 1 | +GASKET, EXHAUST | +JUNTA, ESCAPE |
| | V104000810 | 1 | +SHIELD, EXHAUST | +PROTECTOR, ESCAPE |
| | 90014 | 1 | PIPE - 25 FT BULK 3×5mm BLACK | TUBO 25 PIES AL POR MAYOR 3×5mm NEGRO |
| | 90015 | 1 | PIPE - 25 FT BULK 3×6mm BLACK | TUBO 25 PIES AL POR MAYOR 3×6mm NEGRO |
| | 90017 | 1 | PIPE - 25 FT BULK 3×6mm CLEAR | TUBO 25 PIES AL POR MAYOR 3×6mm TRANSPARENTE |
| | 99944445000 | 1 | ROPE, STARTER - REPOWER BULK | CUERDA DEL ARRANCADOR REPOWER AL POR MAYOR |