



OPTIONAL ATTACHMENTS & ACCESSORIES

Accessories

35130454230	U-Handle Kit
99944200200	SRM Shoulder Harness Kit
99944200411	20mm Blade Conversion Kit
99944200415	Universal Blade Conversion Kit
99944200455	Barrier Bar
99944200521	U-Handle_Blade Conversion Combo Kit
SRAC-200	Tiller/Cultivator Attachment

Cutting Heads

215511	Pro Maxi-Cut Head
21560030	ECHOMATIC Pro Head
21560031	SRM ECHOMATIC Pro Head
21560050	SRM ECHOMATIC Head
21560055	Semi-Auto Head Assembly
21560056	2-Line Rapid Loader Trimmer Head
21560060	SRM Manual Dual Line Head
99944200230	Semi-Auto Dual Line Head
99944200900	U-Turn Head

Maintenance and RePower Kits

90008	Filter Kit
90010	RePower Cap & Vent Kit
90074	RePower Tune-Up Kit
P021003900	Gasket Kit

PARTS CATALOG

SRM-230 Trimmer

22.8cc

SERIAL NUMBERS

S/N: 05001001 - 05999999

ECHO, INCORPORATED

400 Oakwood Road Lake Zurich, Illinois 60047 USA

WWW.ECHO-USA.COM



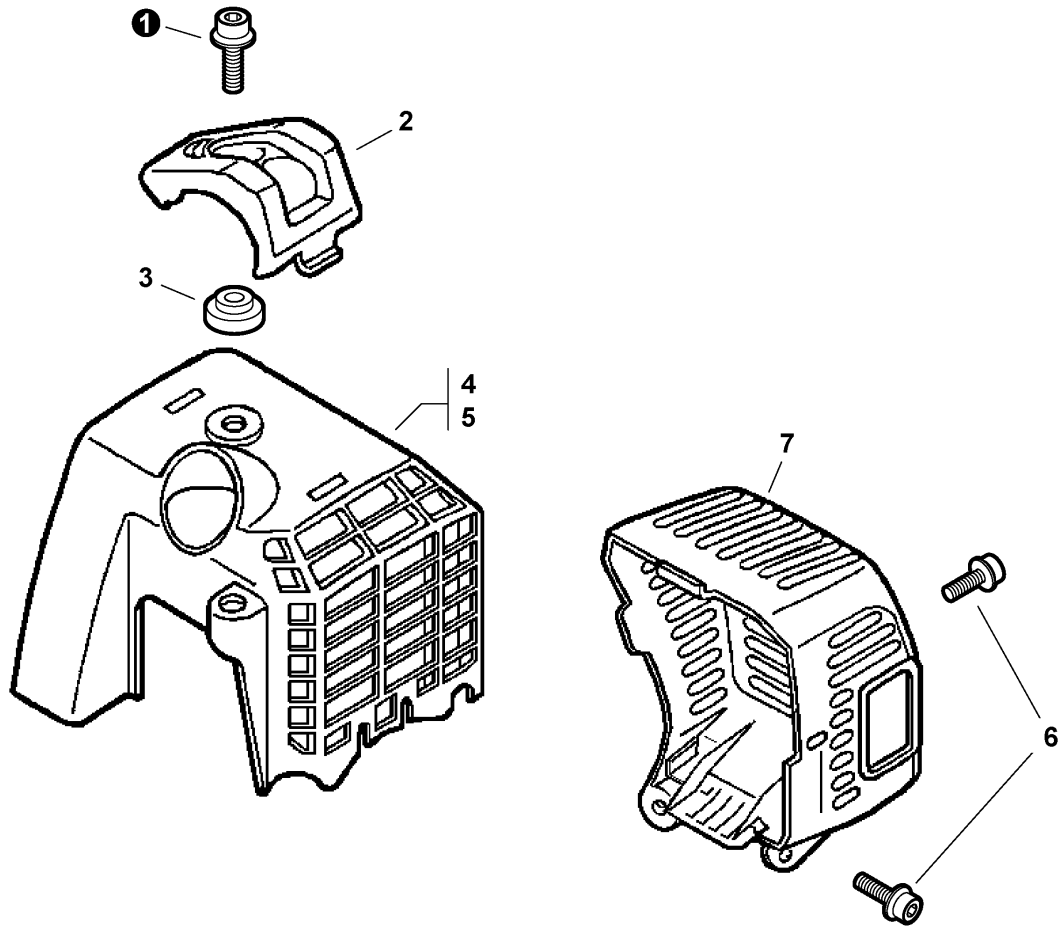
Table of Contents

Click Any Diagram Description Below To View That Diagram.

SRM-230 S/N: 05001001 - 05999999

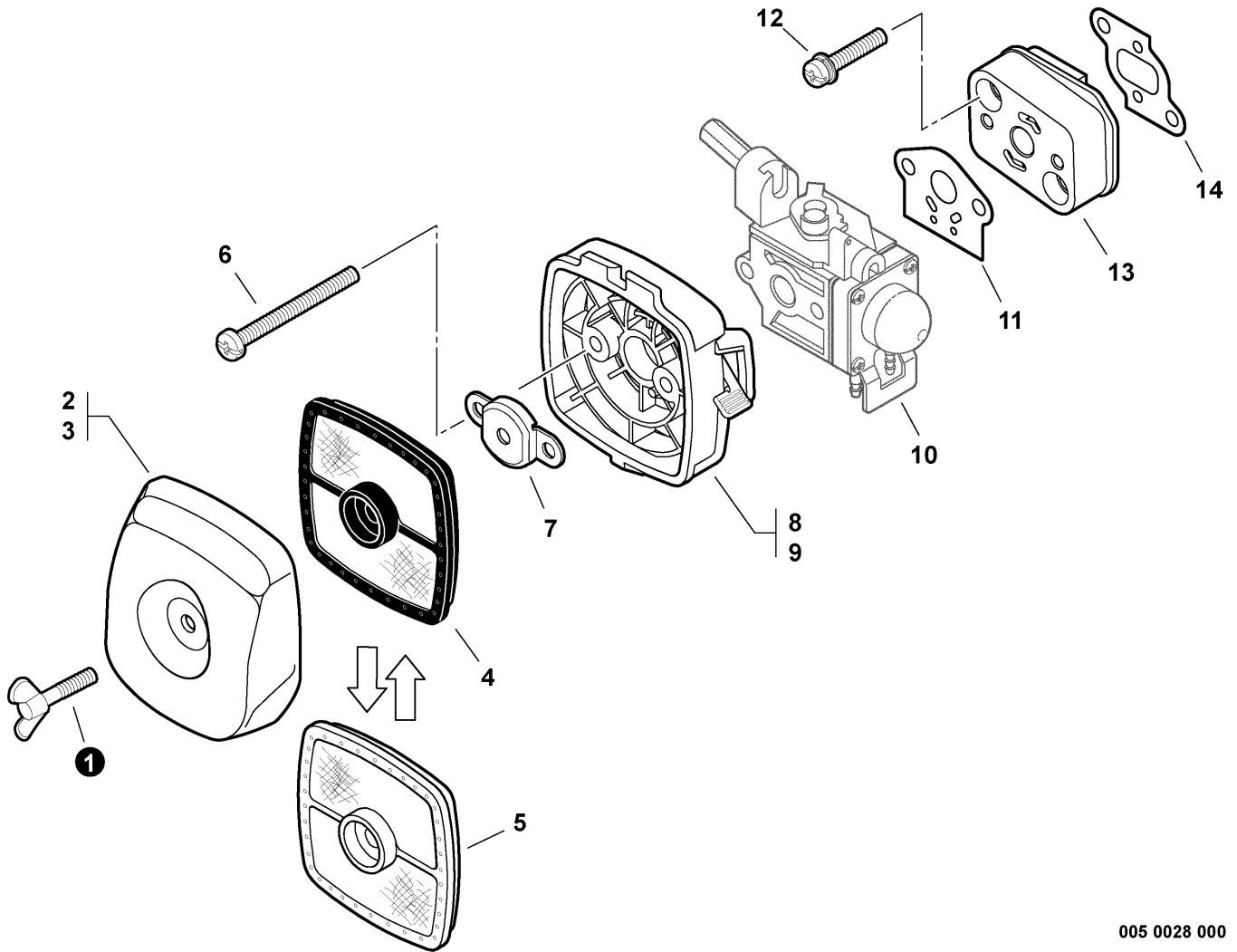
Engine Cover, Exhaust Cover.....	4
Intake.....	6
Carburetor -- RB-K66 S/N: 05001001 - 05004893.....	8
Carburetor -- RB-K66 S/N: 05004894 - 05030700.....	10
Carburetor -- RB-K66B S/N: 05030701 - 05089969.....	12
Carburetor -- RB-K70 S/N: 05089970 - 05118990.....	14
Carburetor -- RB-K70A S/N: 05118991 - 05999999.....	16
Exhaust.....	18
Fuel System.....	20
Fan Case, Clutch -- GRAY MODELS.....	22
Starter -- Standard.....	24
Ignition.....	26
Engine, Short Block -- SB1061.....	28
Debris Shield - Plastic.....	30
Gear Case.....	32
Front Handle.....	34
Control Handle, Throttle Cable, Ignition Switch.....	36
Main Pipe Assembly, Driveshaft.....	38
Labels.....	40
Part Number Index.....	42
Part Description Index.....	43

This Page Intentionally Left Blank



001 0016 000

ITEM	PART NUMBER	QTY	DESCRIPTION	REMARKS
1	9111005016	1	SCREW - 5X16	
2	A162000000	1	GUARD, TOP	
3	V353000020	1	COLLAR - 5	
4	A160000040	1	COVER, ENGINE - GRAY	
5	A160000060	1	COVER, ENGINE - ORANGE	
6	90010605012	2	SCREW - 5X12	
7	A320000003	1	COVER, EXHAUST	

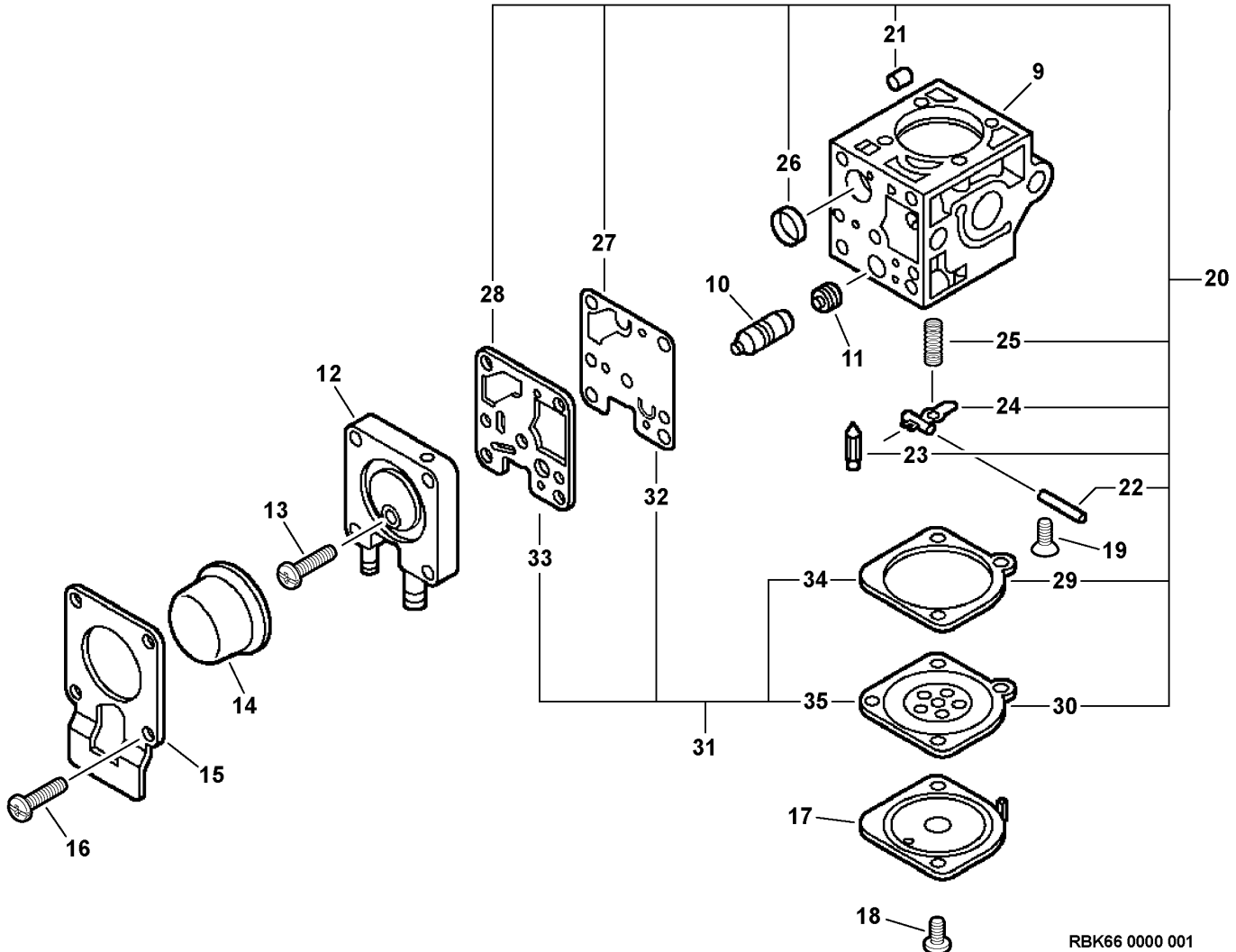
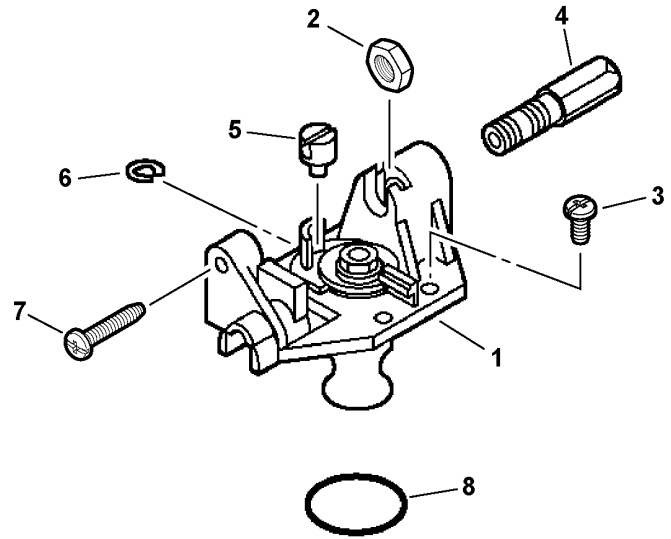


005 0028 000

ITEM	PART NUMBER	QTY	DESCRIPTION	REMARKS
1	21041752730	1	THUMBSCREW	
2	13031306563	1	COVER, AIR CLEANER - GRAY	
3	13031305863	1	COVER, AIR CLEANER - BLACK	
4	A226001410	1	FILTER, AIR - DOUBLE LAYER ¹	
5	13031054130	1	FILTER, AIR - SINGLE LAYER ²	
6	90024205060	2	SCREW - 5X60	
7	12901152730	1	PLATE, PREVENT	
8	P021000991	1	CASE, AIR CLEANER - GRAY	
9	P021004480	1	CASE, AIR CLEANER - BLACK	
10	-----	1	CARBURETOR ³	
11	13001013410	1	GASKET, INTAKE ⁴	
12	90016205025	2	SCREW - 5X25	
13	13001756431	1	INSULATOR, INTAKE	
14	13001055930	1	GASKET, INTAKE ⁵	

Footnotes

- 1: Included In RePower TUNE-UP KIT
- 2: OPTIONAL
- 3: See Carburetor Diagrams For Details
- 4: Also Included In GASKET KIT
- 5: Included In GASKET KIT

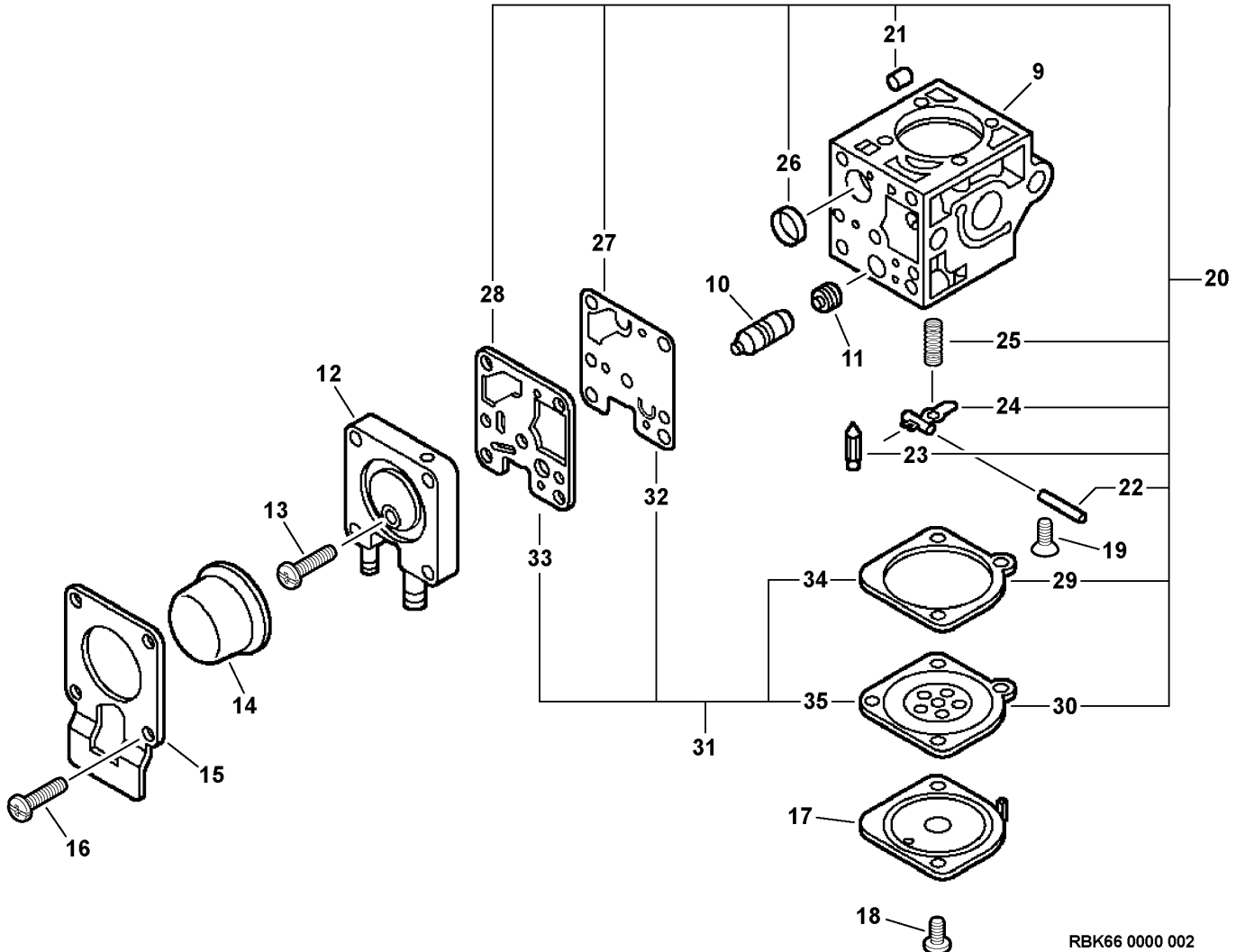
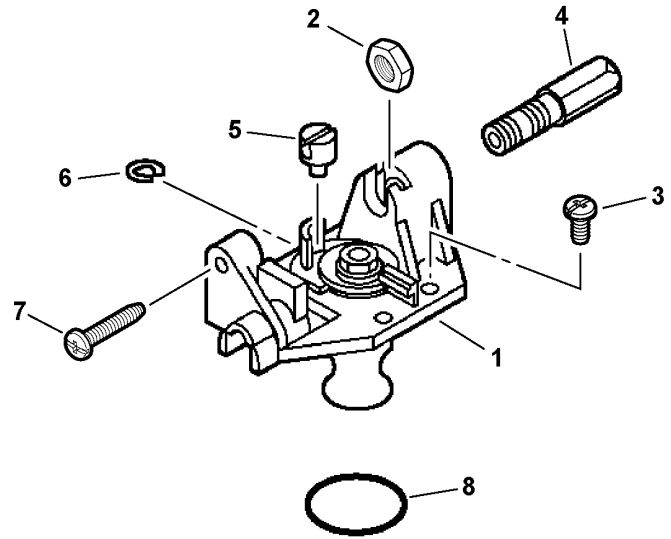


RBK66 0000 001

ITEM	PART NUMBER	QTY	DESCRIPTION	REMARKS
	A021000380	1	CARBURETOR -- RB-K66	
1	P005000690	1	ROTOR COVER ASY	
2	P005000120	1	NUT	
3	12534413931	3	SCREW	
4	P005000700	1	SCREW, CABLE ADJUST	
5	P005000180	1	SWIVEL	
6	P005000190	1	RING, RETAINING	
7	P005000100	1	SCREW, IDLE ADJUST	
8	P005000280	1	O-RING	
9	-----	1	BODY, CARBURETOR ¹	
10	P005000370	1	PLUG KIT	
11	P005000570	1	JET	
12	P005000530	1	BASE, PURGE	
13	P005000270	1	SCREW, PURGE BASE	
14	12538108660	1	BULB, PURGE	
15	P005000250	1	RETAINER, PURGE BULB	
16	12531061830	4	SCREW, PURGE BULB RETAINER	
17	12534252130	1	COVER, DIAPHRAGM	
18	12534452130	2	SCREW	
19	12533942030	1	SCREW, METERING LEVER PIN	
20	P005000560	1	REPAIR KIT	INCLUDES ITEMS 21-30
21	P005000290	1	GUIDE, ROLLER	
22	-----	1	PIN, METERING LEVER	
23	-----	1	VALVE, INLET NEEDLE	
24	-----	1	LEVER, METERING	
25	-----	1	SPRING, METERING LEVER	
26	-----	1	STRAINER	
27	-----	1	DIAPHRAGM, PUMP	
28	-----	1	GASKET, PUMP	
29	-----	1	GASKET, DIAPHRAGM	
30	-----	1	DIAPHRAGM, METERING	
31	P005000550	1	DIAPHRAGM/GASKET KIT	INCLUDES ITEMS 32-35
32	-----	1	DIAPHRAGM, PUMP	
33	-----	1	GASKET, PUMP	
34	-----	1	GASKET, DIAPHRAGM	
35	-----	1	DIAPHRAGM, METERING	

Footnotes

1: NOT AVAILABLE SEPARATELY

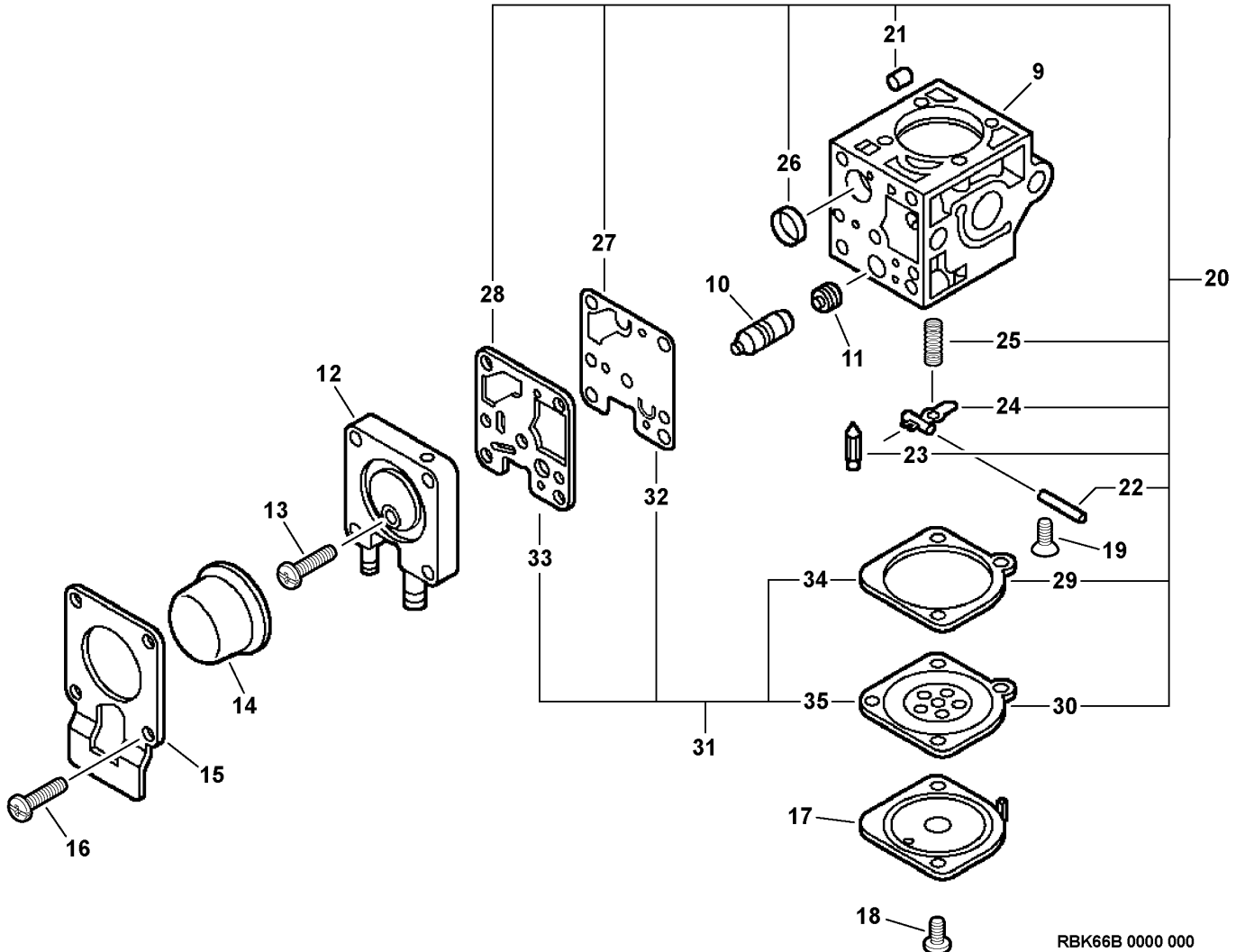
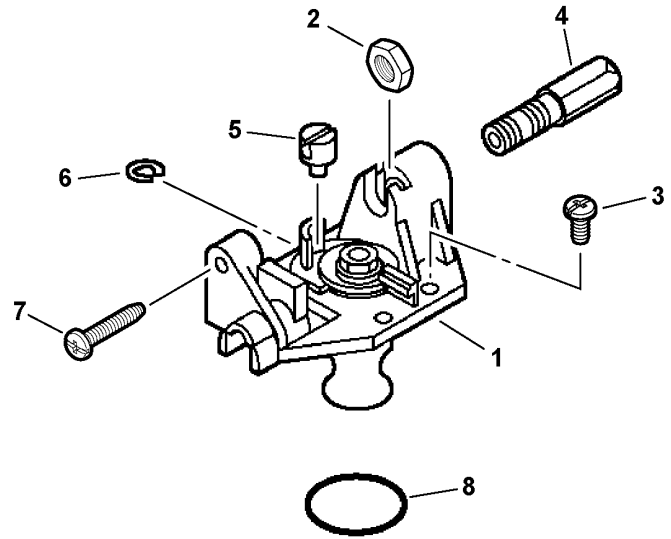


RBK66 0000 002

ITEM	PART NUMBER	QTY	DESCRIPTION	REMARKS
	A021000380	1	CARBURETOR -- RB-K66	
1	P005000690	1	ROTOR COVER ASY	
2	P005000120	1	NUT	
3	12534413931	3	SCREW	
4	P005000700	1	SCREW, CABLE ADJUST	
5	P005000180	1	SWIVEL	
6	P005000190	1	RING, RETAINING	
7	P005000100	1	SCREW, IDLE ADJUST	
8	P005000280	1	O-RING	
9	-----	1	BODY, CARBURETOR ¹	
10	P005000370	1	PLUG KIT	
11	P005000570	1	JET	
12	P005000530	1	BASE, PURGE	
13	P005000270	1	SCREW, PURGE BASE	
14	12538108660	1	BULB, PURGE	
15	P005000250	1	RETAINER, PURGE BULB	
16	12531061830	4	SCREW, PURGE BULB RETAINER	
17	12534252130	1	COVER, DIAPHRAGM	
18	12534452130	2	SCREW	
19	12533942030	1	SCREW, METERING LEVER PIN	
20	P005000950	1	REPAIR KIT	INCLUDES ITEMS 21-30
21	P005001000	1	GUIDE, ROLLER	
22	-----	1	PIN, METERING LEVER	
23	-----	1	VALVE, INLET NEEDLE	
24	-----	1	LEVER, METERING	
25	-----	1	SPRING, METERING LEVER	
26	-----	1	STRAINER	
27	-----	1	DIAPHRAGM, PUMP	
28	-----	1	GASKET, PUMP	
29	-----	1	GASKET, DIAPHRAGM	
30	-----	1	DIAPHRAGM, METERING	
31	P005000550	1	DIAPHRAGM/GASKET KIT	INCLUDES ITEMS 32-35
32	-----	1	DIAPHRAGM, PUMP	
33	-----	1	GASKET, PUMP	
34	-----	1	GASKET, DIAPHRAGM	
35	-----	1	DIAPHRAGM, METERING	

Footnotes

1: NOT AVAILABLE SEPARATELY

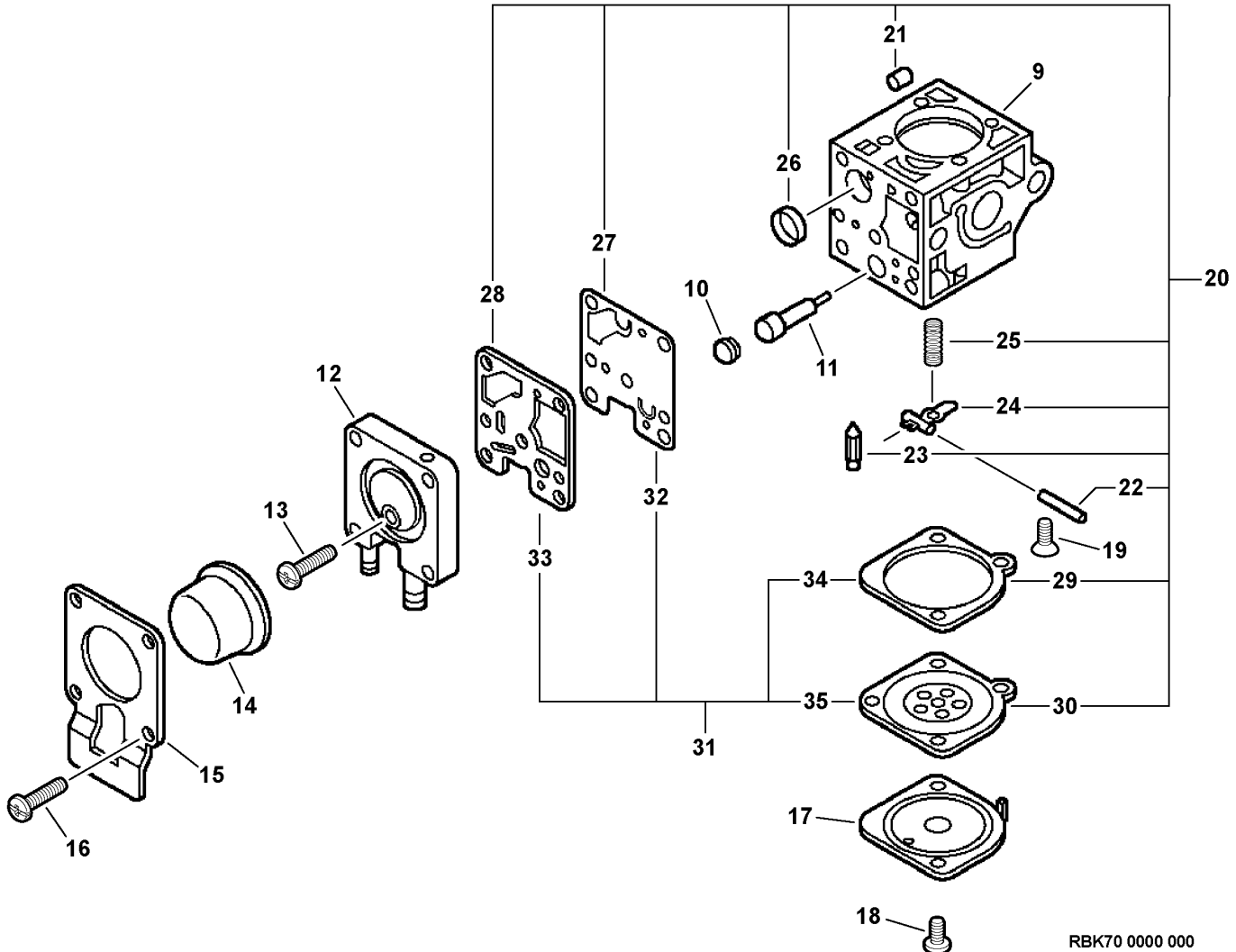
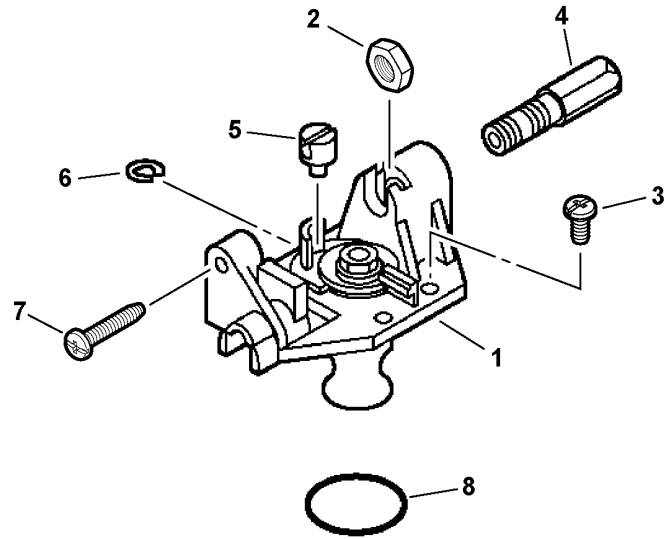


RBK66B 0000 000

ITEM	PART NUMBER	QTY	DESCRIPTION	REMARKS
	A021000382	1	CARBURETOR -- RB-K66B	
1	P005000690	1	ROTOR COVER ASY	
2	P005000120	1	NUT	
3	12534413931	3	SCREW	
4	P005000700	1	SCREW, CABLE ADJUST	
5	P005000180	1	SWIVEL	
6	P005000190	1	RING, RETAINING	
7	P005000100	1	SCREW, IDLE ADJUST	
8	P005000280	1	O-RING	
9	-----	1	BODY, CARBURETOR ¹	
10	P005000370	1	PLUG KIT	
11	P005000570	1	JET	
12	P005000930	1	BASE, PURGE	
13	P005000270	1	SCREW, PURGE BASE	
14	12538108660	1	BULB, PURGE	
15	P005000250	1	RETAINER, PURGE BULB	
16	12531061830	4	SCREW, PURGE BULB RETAINER	
17	12534252130	1	COVER, DIAPHRAGM	
18	12534452130	2	SCREW	
19	12533942030	1	SCREW, METERING LEVER PIN	
20	P005000950	1	REPAIR KIT	INCLUDES ITEMS 21-30
21	P005001000	1	GUIDE, ROLLER	
22	-----	1	PIN, METERING LEVER	
23	-----	1	VALVE, INLET NEEDLE	
24	-----	1	LEVER, METERING	
25	-----	1	SPRING, METERING LEVER	
26	-----	1	STRAINER	
27	-----	1	DIAPHRAGM, PUMP	
28	-----	1	GASKET, PUMP	
29	-----	1	GASKET, DIAPHRAGM	
30	-----	1	DIAPHRAGM, METERING	
31	P005000550	1	DIAPHRAGM/GASKET KIT	INCLUDES ITEMS 32-35
32	-----	1	DIAPHRAGM, PUMP	
33	-----	1	GASKET, PUMP	
34	-----	1	GASKET, DIAPHRAGM	
35	-----	1	DIAPHRAGM, METERING	

Footnotes

1: NOT AVAILABLE SEPARATELY

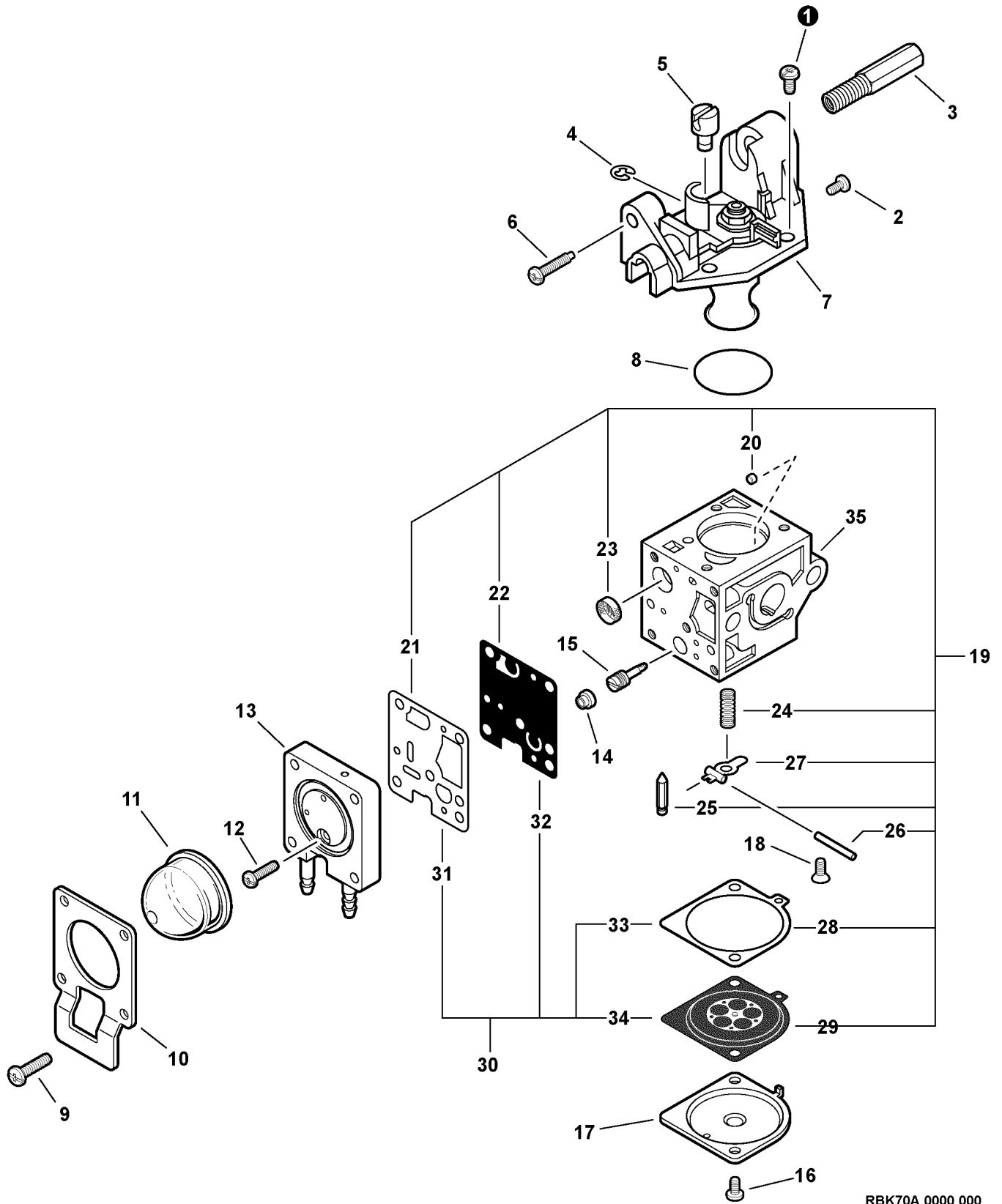


RBK70 0000 000

ITEM	PART NUMBER	QTY	DESCRIPTION	REMARKS
	A021000720	1	CARBURETOR -- RB-K70	
1	P005001230	1	ROTOR COVER ASY	
2	P005000120	1	NUT	
3	12534413931	3	SCREW	
4	P005000700	1	SCREW, CABLE ADJUST	
5	P005001240	1	SWIVEL	
6	P005000190	1	RING, RETAINING	
7	P005000100	1	SCREW, IDLE ADJUST	
8	P005000280	1	O-RING	
9	-----	1	BODY, CARBURETOR ¹	
10	P005001270	1	CAP, LIMITER	
11	P005001260	1	NEEDLE - HIGH SPEED	
12	P005000930	1	BASE, PURGE	
13	P005000270	1	SCREW, PURGE BASE	
14	12538108660	1	BULB, PURGE	
15	P005000250	1	RETAINER, PURGE BULB	
16	12531061830	4	SCREW, PURGE BULB RETAINER	
17	12534252130	1	COVER, DIAPHRAGM	
18	12534452130	2	SCREW	
19	12533942030	1	SCREW, METERING LEVER PIN	
20	P005000950	1	REPAIR KIT	INCLUDES ITEMS 21-30
21	P005001000	1	GUIDE, ROLLER	
22	-----	1	PIN, METERING LEVER	
23	-----	1	VALVE, INLET NEEDLE	
24	-----	1	LEVER, METERING	
25	-----	1	SPRING, METERING LEVER	
26	-----	1	STRAINER	
27	-----	1	DIAPHRAGM, PUMP	
28	-----	1	GASKET, PUMP	
29	-----	1	GASKET, DIAPHRAGM	
30	-----	1	DIAPHRAGM, METERING	
31	P005000550	1	DIAPHRAGM/GASKET KIT	INCLUDES ITEMS 32-35
32	-----	1	DIAPHRAGM, PUMP	
33	-----	1	GASKET, PUMP	
34	-----	1	GASKET, DIAPHRAGM	
35	-----	1	DIAPHRAGM, METERING	

Footnotes

1: NOT AVAILABLE SEPARATELY

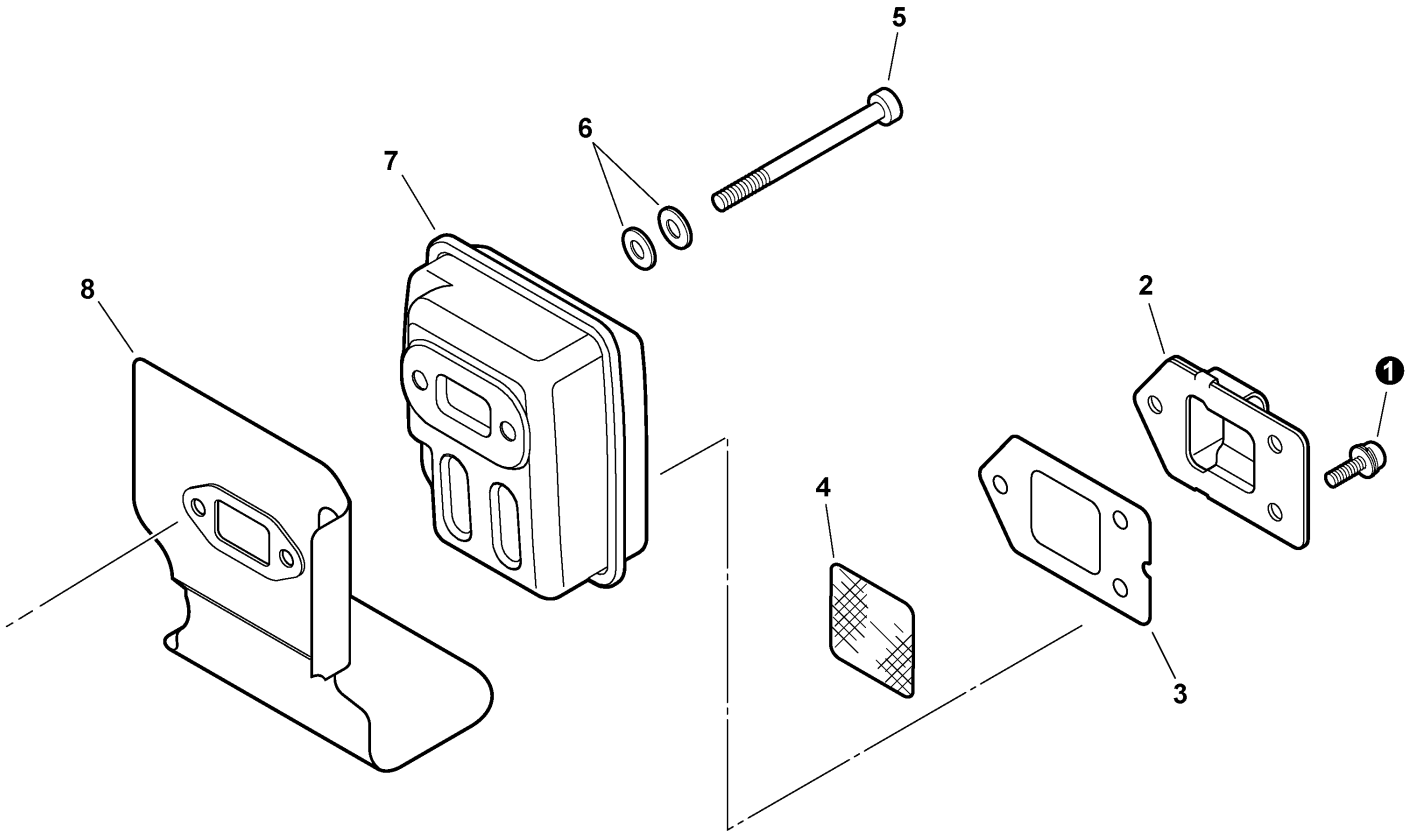


RBK70A 0000 000

ITEM	PART NUMBER	QTY	DESCRIPTION	REMARKS
	A021000721	1	CARBURETOR -- RB-K70A	
1	12534413931	3	SCREW	
2	12534452130	1	SCREW	
3	P005001330	1	SCREW, CABLE ADJUST	
4	P005000190	1	RING, RETAINING	
5	P005001240	1	SWIVEL	
6	P005000100	1	SCREW, IDLE ADJUST	
7	P005001620	1	ROTOR COVER ASY	
8	P005000280	1	O-RING	
9	12531061830	4	SCREW, PURGE BULB RETAINER	
10	P005000250	1	RETAINER, PURGE BULB	
11	12538108660	1	BULB, PURGE	
12	P005000270	1	SCREW, PURGE BASE	
13	P005000930	1	BASE, PURGE	
14	P005001270	1	CAP, LIMITER	
15	P005001260	1	NEEDLE - HIGH SPEED	
16	12534452130	2	SCREW	
17	12534252130	1	COVER, DIAPHRAGM	
18	12533942030	1	SCREW, METERING LEVER PIN	
19	P005000950	1	REPAIR KIT	INCLUDES ITEMS 21-29
20	P005001000	1	GUIDE, ROLLER	
21	-----	1	GASKET, PUMP	
22	-----	1	DIAPHRAGM, PUMP	
23	-----	1	STRAINER	
24	-----	1	SPRING, METERING LEVER	
25	-----	1	VALVE, INLET NEEDLE	
26	-----	1	PIN, METERING LEVER	
27	-----	1	LEVER, METERING	
28	-----	1	GASKET, DIAPHRAGM	
29	-----	1	DIAPHRAGM, METERING	
30	P005000550	1	DIAPHRAGM/GASKET KIT	INCLUDES ITEMS 31-34
31	-----	1	GASKET, PUMP	
33	-----	1	GASKET, DIAPHRAGM	
32	-----	1	DIAPHRAGM, PUMP	
34	-----	1	DIAPHRAGM, METERING	
35	-----	1	BODY, CARBURETOR ¹	

Footnotes

1: NOT AVAILABLE SEPARATELY

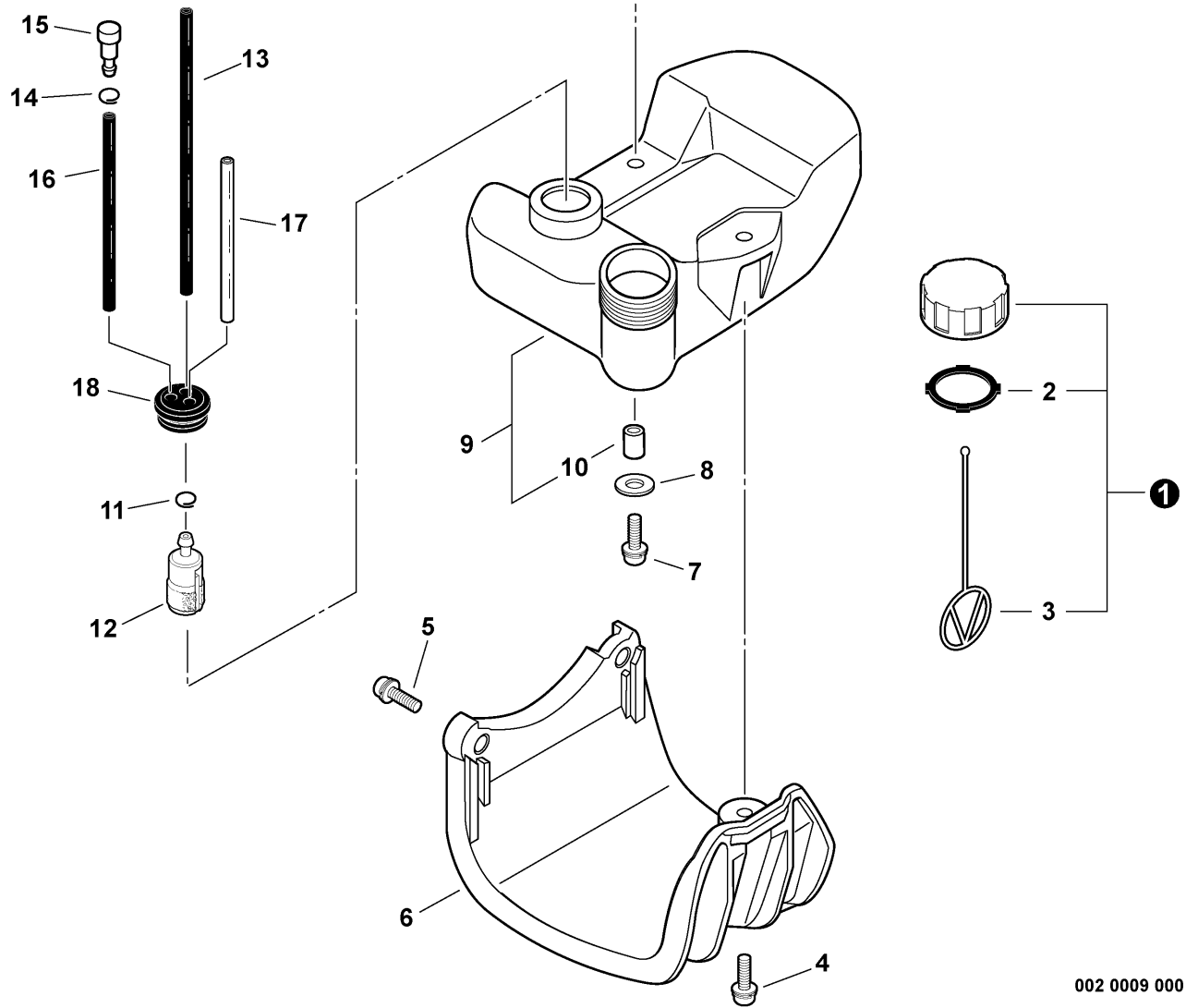


006 0018 00B

ITEM	PART NUMBER	QTY	DESCRIPTION	REMARKS
1	90024204010	3	SCREW - 4X10	
2	A313000350	1	GUIDE, EXHAUST	
3	14586642031	1	GASKET, EXHAUST ¹	
4	14586240630	1	SCREEN, SPARK ARRESTER	
5	90010505055	2	SCREW - 5X55	
6	90060000005	2	WASHER	
7	14580642030	1	MUFFLER	
8	V104000061	1	SHIELD, EXHAUST ¹	

Footnotes

¹: Also Included In GASKET KIT



002 0009 000

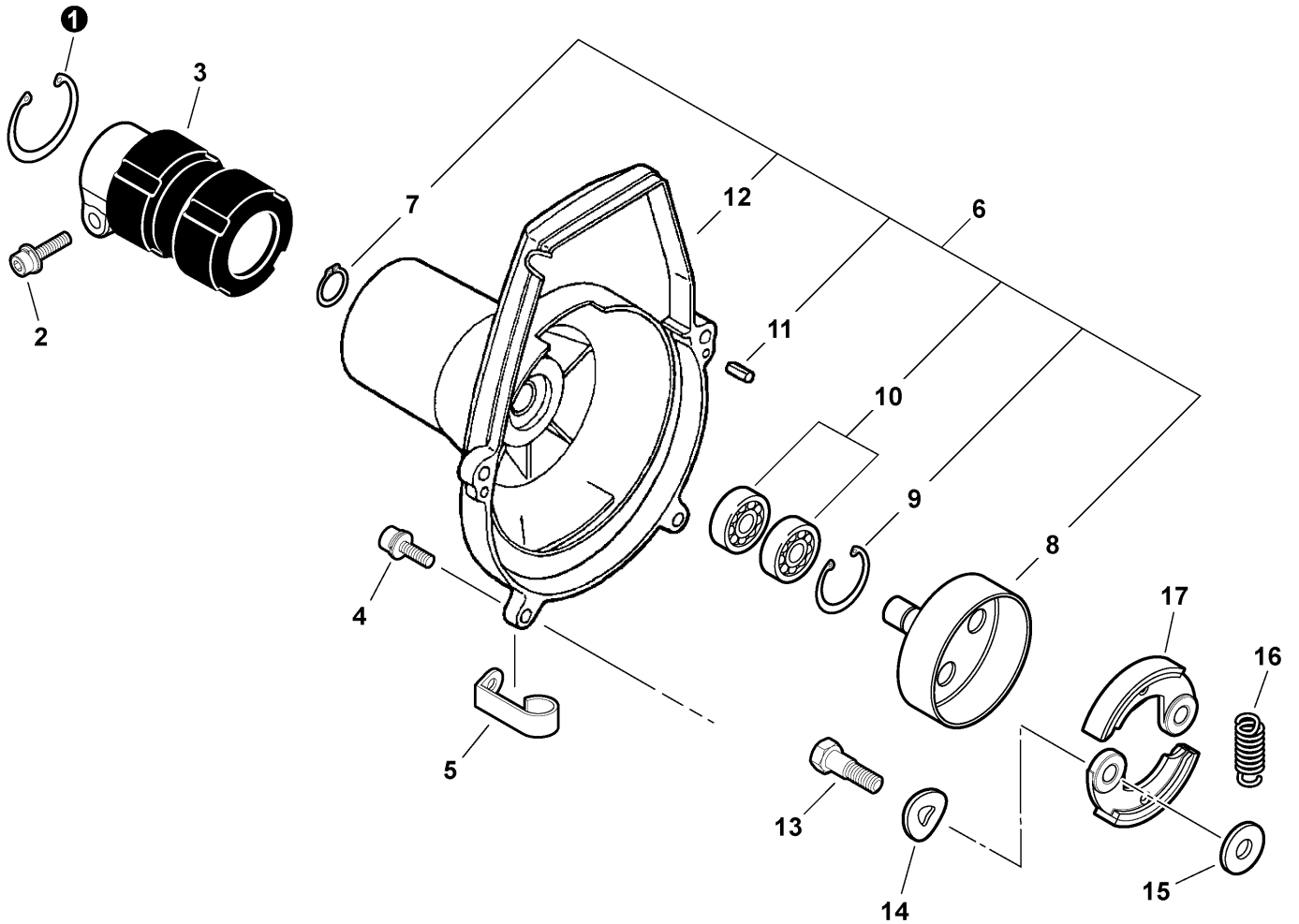
ITEM	PART NUMBER	QTY	DESCRIPTION	REMARKS
1	13100455530	1	CAP ASY - ORANGE	Includes ITEMS 2-3
2	13101655830	1	GASKET	
3	13105156030	1	CONNECTOR, CAP	
4	90024405020	1	SCREW - 5X20	
5	90016205022	2	SCREW - 5X22	
6	30511057733	1	GUARD, FUEL TANK	
7	90016205016	2	SCREW - 5X16	
8	90060300005	2	WASHER - 5	
9	A350000111	1	TANK, FUEL	Includes ITEM 10
10	13104528230	2	SLEEVE	
11	13201326630	2	CLIP	
12	13120519831	1	FILTER, FUEL ¹	
13	13201052030	1	PIPE, FUEL - 3X6X170 ²	
14	13201326630	2	CLIP	
15	A356000030	1	VENT ASY	
16	V471000110	1	PIPE - 3X6X115 ²	
17	13201256030	1	PIPE, RETURN - 3X6X80 ³	
18	13211555930	1	GROMMET	

Footnotes

1: Also Included In REPOWER TUNE-UP KIT

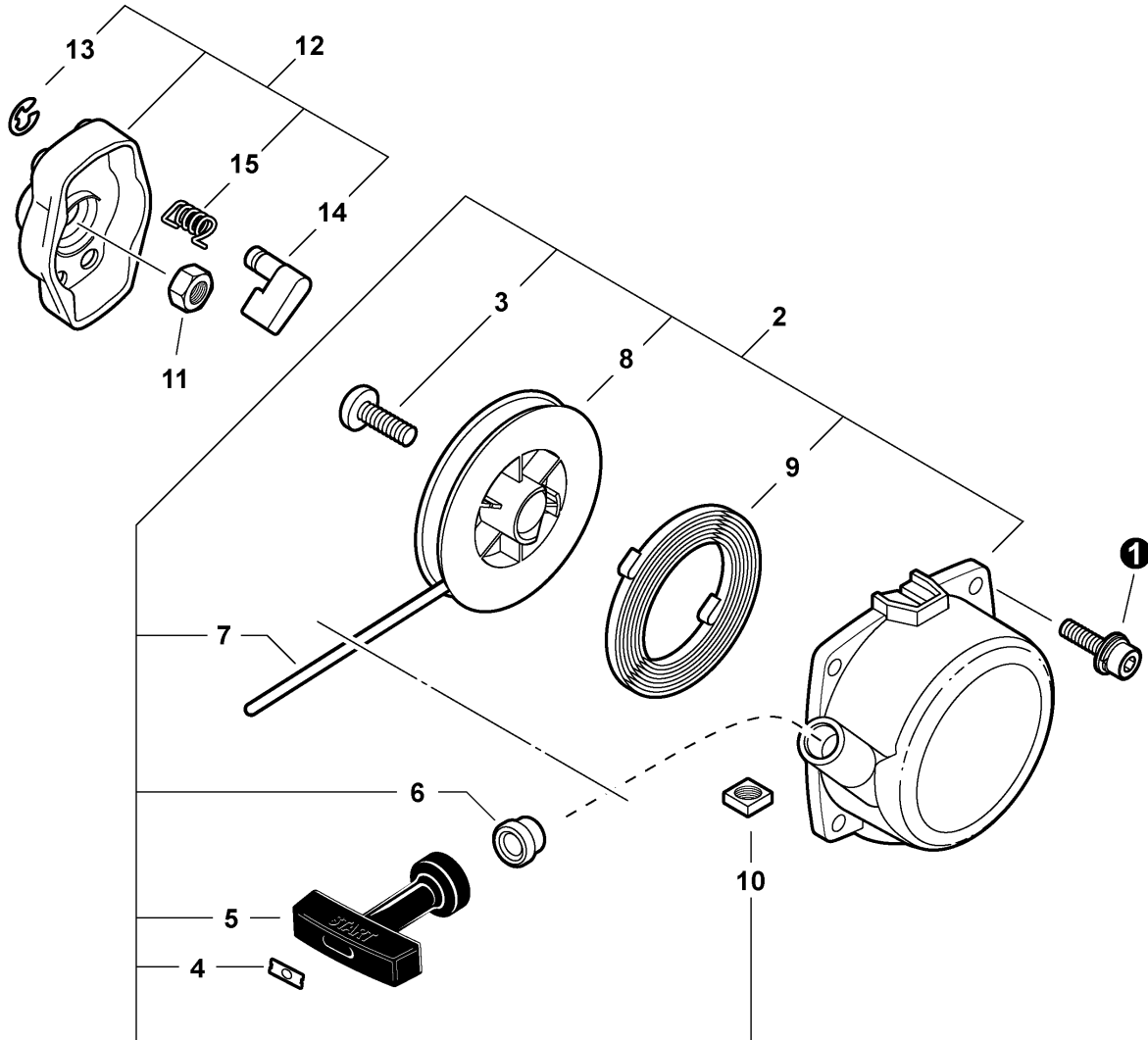
2: RePower BULK OPTION: 90015

3: RePower BULK OPTION: 90017



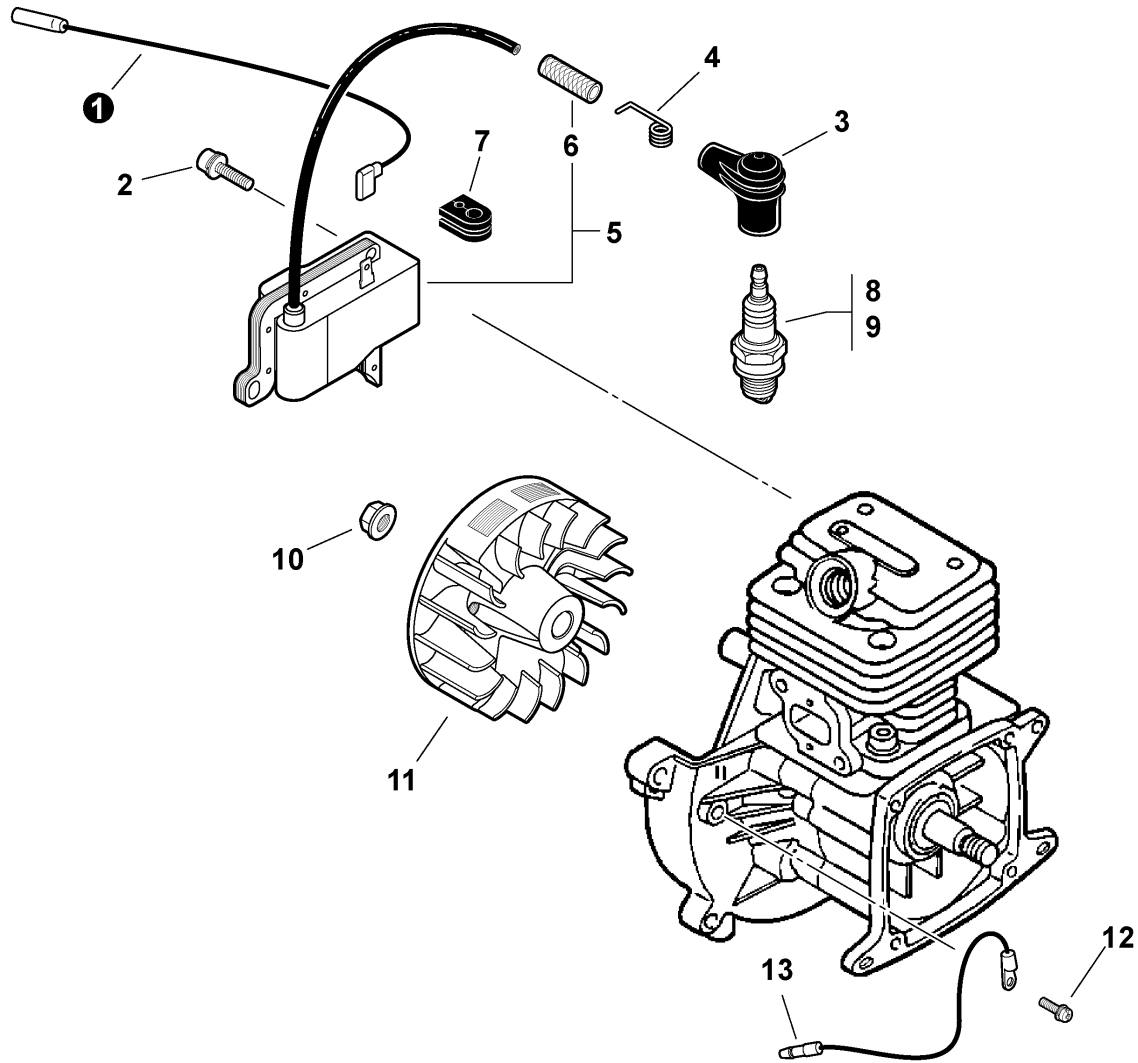
003 0009 000

ITEM	PART NUMBER	QTY	DESCRIPTION	REMARKS
1	90070200042	1	RING, RETAINING - 42	
2	90016205028	1	SCREW - 5X28	
3	61092255931	1	HOLDER, MAIN PIPE	
4	90016205018	2	SCREW - 5X18	
5	17811106230	1	CLAMP	
6	P021001410	1	FAN CASE ASY - GRAY	Includes ITEMS 7-12
7	90070100012	1	RING, RETAINING - 12	
8	A556000030	1	DRUM, CLUTCH	
9	90070200028	1	RING, RETAINING - 28	
10	90080796001	2	BEARING, BALL - 6001	
11	V622000020	2	PIN, DOWEL	
12	A172000030	1	CASE, FAN - GRAY	
13	17504656030	2	BOLT, CLUTCH	
14	17504956030	2	WASHER - SPRING	
15	17504805530	2	WASHER - 6	
16	V451000090	1	SPRING, CLUTCH	
17	A553000010	2	SHOE, CLUTCH	



004 0027 000

ITEM	PART NUMBER	QTY	DESCRIPTION	REMARKS
1	9112604012	4	SCREW - 4X12	
2	17720055931	1	STARTER ASY	Includes ITEMS 3-10
3	17723644330	1	SCREW	
4	17724611120	1	RETAINER, ROPE	
5	17722827030	1	GRIP, STARTER	
6	17722742030	1	GUIDE, ROPE	
7	17722603930	1	ROPE, STARTER - 3.5X850	REPOWER BULK OPTION: 99944445000
8	17721540630	1	REEL, ROPE	
9	17722040630	1	SPRING, REWIND	
10	90056500005	1	NUT - 5 -- SQUARE	
11	90050200008	1	NUT - 8	
12	A052000030	1	STARTER PAWL ASY	Includes ITEMS 13-15
13	90070000004	2	RING, RETAINING - 4	
14	17721840630	2	PAWL, STARTER	
15	17723440630	2	SPRING, RETURN	

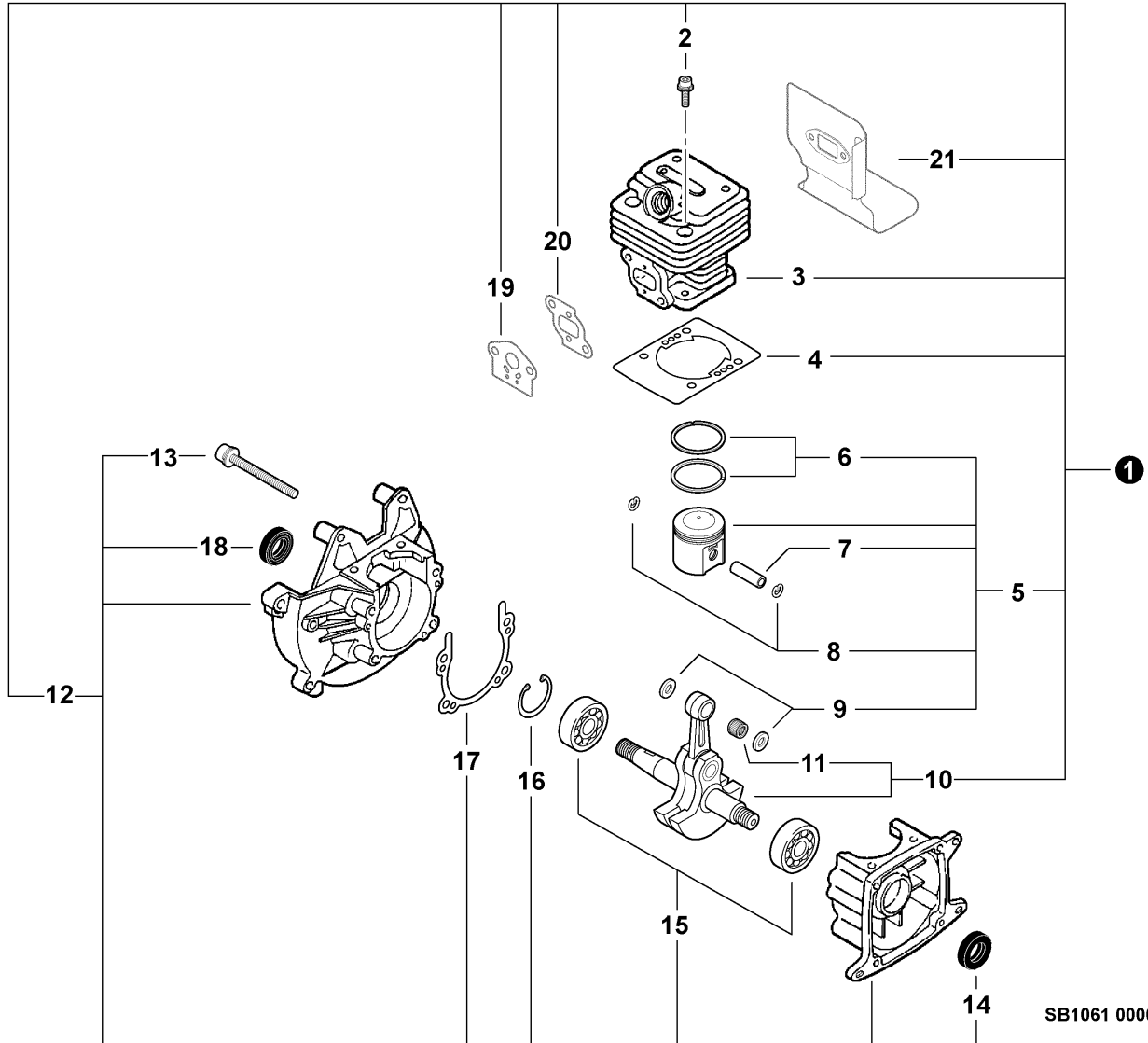


007 0028 000

ITEM	PART NUMBER	QTY	DESCRIPTION	REMARKS
1	16201056430	1	LEAD - IGNITION	
2	90016205016	2	SCREW - 5X16	
3	15901203433	1	CAP, SPARK PLUG	
4	15901103432	1	TERMINAL, SPARK PLUG CAP	
5	P021003910	1	COIL, IGNITION	Includes ITEM 5
6	V475002200	1	TUBE, INSULATOR	
7	15611240630	1	GROMMET	
8	15901019830	1	SPARK PLUG -- BPM-8Y ¹	
9	A425000000	1	SPARK PLUG -- BPMR-8Y ¹	CANADA MODELS
10	90051500008	1	NUT - 8 -- FLANGE	
11	A409000130	1	FLYWHEEL	
12	90024205010	1	SCREW - 5X10	
13	16201452930	1	LEAD - GROUND	

Footnotes

1: Also Included In RePower TUNE-UP KIT

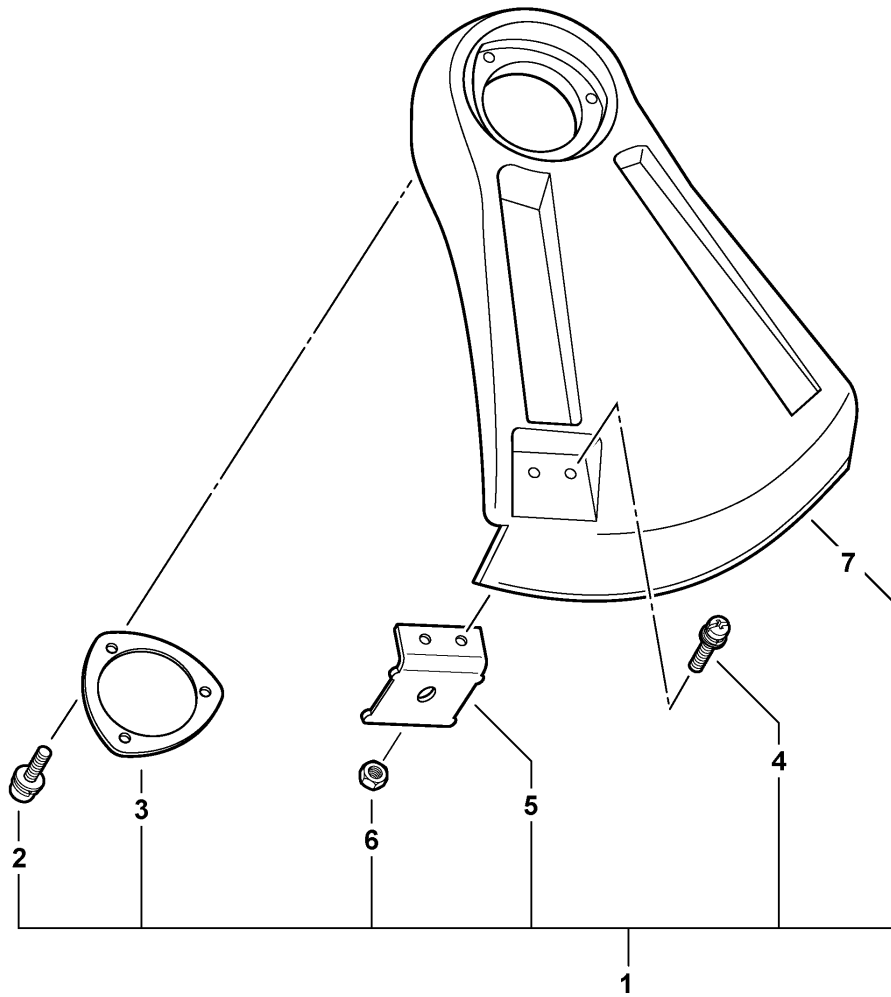


SB1061 0000 000

ITEM	PART NUMBER	QTY	DESCRIPTION	REMARKS
1	SB1061	1	SHORT BLOCK -- SB1061	INCLUDES ITEMS 2-18
2	90016205022	4	SCREW - 5X22	
3	A130000341	1	CYLINDER	
4	V100000060	1	GASKET, CYLINDER ¹	
5	P021001102	1	PISTON KIT	INCLUDES ITEMS 6-9
6	A101000000	2	RING, PISTON	
7	10001311520	1	PIN, PISTON	
8	10001504630	2	RING, RETAINING	
9	10001411520	2	SPACER, PISTON	
10	A011000042	1	CRANKSHAFT ASY	INCLUDES ITEM 11
11	V553000010	1	BEARING, NEEDLE - 8	
12	P021000941	1	CRANKCASE KIT	INCLUDES ITEMS 13-18
13	90016205025	4	SCREW - 5X25	
14	10021305530	1	SEAL, OIL	
15	90080036001	2	BEARING, BALL - 6001	
16	90070200028	1	RING, RETAINING - 28	
17	10024255930	1	GASKET, CRANKCASE ¹	
18	10021228230	1	SEAL, OIL	
19	-----	1	SHIELD, EXHAUST ¹	
20	-----	1	GASKET, INTAKE ¹	
21	-----	1	GASKET, INTAKE ¹	

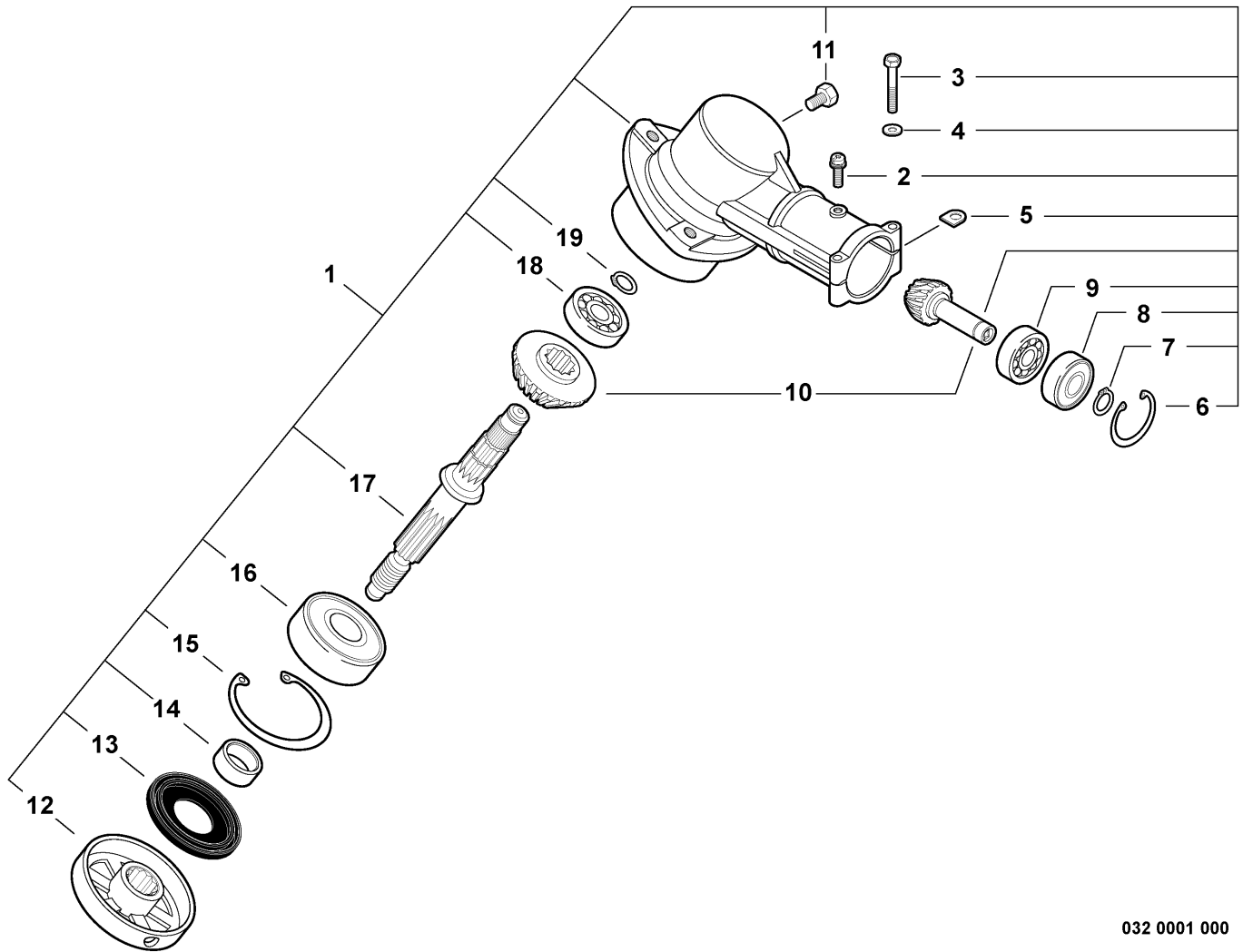
Footnotes

1: Also Included In GASKET KIT



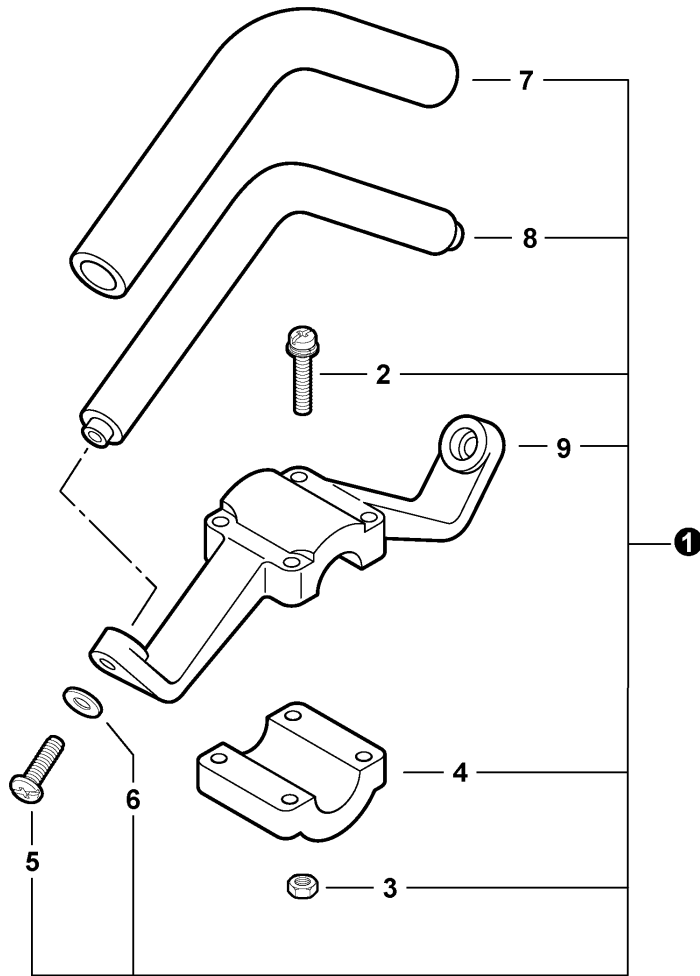
034 0006 000

ITEM	PART NUMBER	QTY	DESCRIPTION	REMARKS
1	P021001393	1	DEBRIS SHIELD KIT - PLASTIC	INCLUDES ITEMS 2-7
2	90023805016	3	SCREW - 5X16	
3	C552000110	1	PLATE, SHIELD	
4	90023805016	2	SCREW - 5X16	
5	69901644330	1	KNIFE, TRIMMER LINE	
6	90050000005	2	NUT	
7	C550000032	1	SHIELD, DEBRIS - PLASTIC	



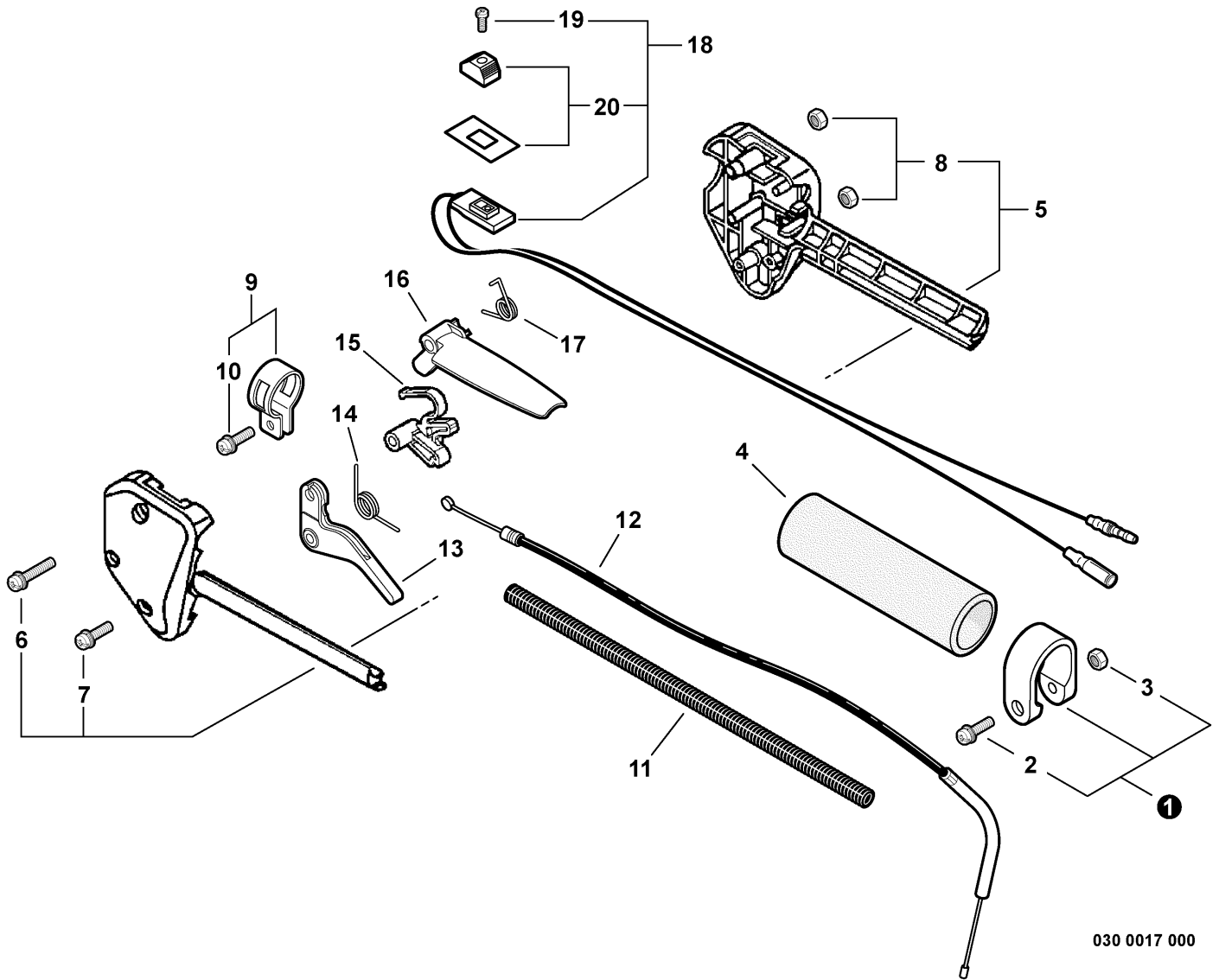
032 0001 000

ITEM	PART NUMBER	QTY	DESCRIPTION	REMARKS
1	61040247732	1	GEAR CASE ASY	INCLUDES ITEMS 2-20
2	90024205010	1	SCREW - 5X10	
3	90010005035	2	BOLT - 5X35	
4	90060000005	2	WASHER	
5	61023904130	2	WASHER, SHIM	
6	90070200022	1	RING, RETAINING - 22	
7	90070600010	1	RING, RETAINING - 10	
8	90085806900	1	BEARING, BALL - 6900Z	
9	90085506900	1	BEARING, BALL - 6900	
10	61030044830	1	GEAR SET - BEVEL	
11	61043450031	1	BOLT - 8X8	
12	61031347731	1	PLATE, ADAPTER - UPPER	
13	61041307130	1	SEAL, OIL	
14	61031507130	1	SPACER	
15	90070200032	1	RING, RETAINING - 32	
16	9403536201	1	BEARING, BALL - 6201	
17	61036008931	1	GEAR, SHAFT	
18	90080000609	1	BEARING, BALL - 609	
19	90070600012	1	RING, RETAINING - 12	



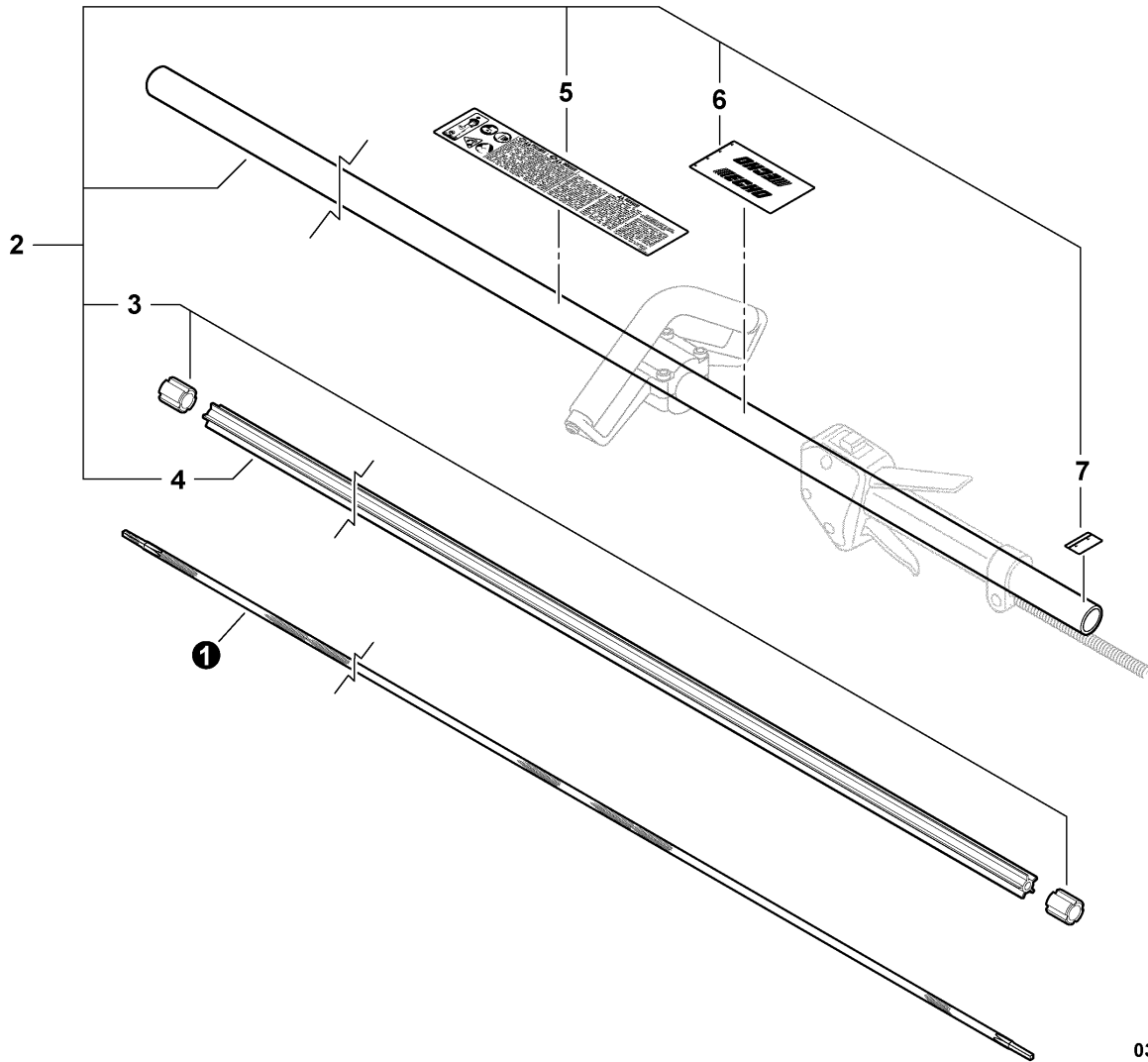
030 0014 00D

ITEM	PART NUMBER	QTY	DESCRIPTION	REMARKS
1	P021000021	1	FRONT HANDLE ASY	INCLUDES ITEMS 2-9
2	90024205035	4	SCREW 5X35	
3	90050000005	4	NUT	
4	35122507130	1	BRACKET, HANDLE - LOWER	
5	90025305020	2	SCREW - 5X20 -- TAPPING	
6	90060000005	2	WASHER	
7	35121666230	1	GRIP, HANDLE	
8	35120566230	1	HANDLE - FRONT	
9	35123266230	1	BRACKET, HANDLE - UPPER	



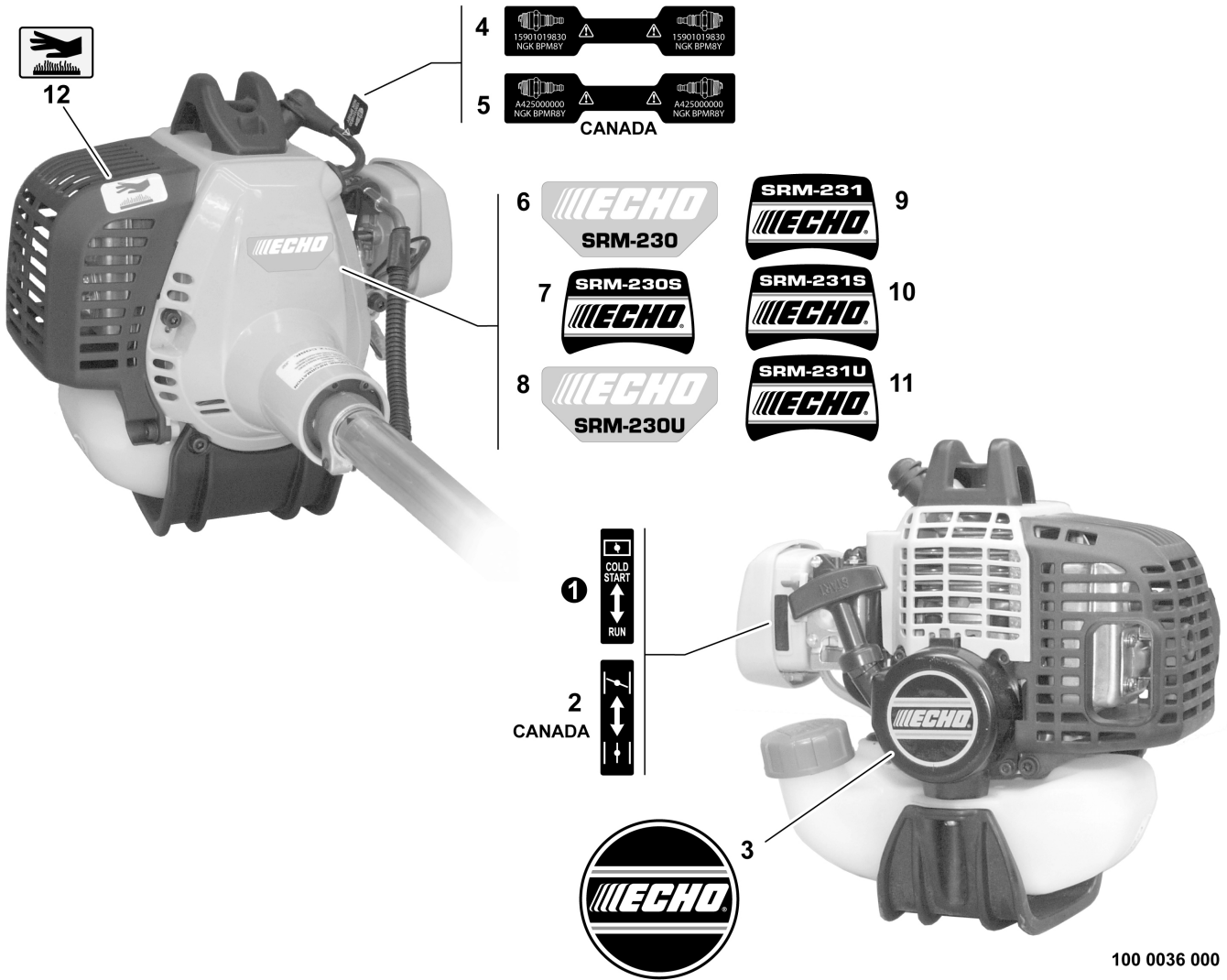
030 0017 000

ITEM	PART NUMBER	QTY	DESCRIPTION	REMARKS
1	61027252130	1	CLAMP KIT	INCLUDES ITEMS 2-3
2	90024205028	1	SCREW - 5X28	
3	90050000005	1	NUT - 5	
4	35121352130	1	GRIP, HANDLE	
5	17800352130	1	CONTROL HANDLE KIT	INCLUDES ITEMS 6-8
6	90024205035	1	SCREW 5X35	
7	90024205025	1	SCREW - 5X25	
8	90050000005	2	NUT	
9	30120029430	1	CLAMP KIT	INCLUDES ITEM 10
10	90024205014	1	SCREW - 5X14	
11	V475000850	1	TUBE, PROTECTIVE - CORRUGATED	
12	V430000730	1	CABLE, THROTTLE	
13	17801052130	1	TRIGGER, THROTTLE	
14	17804342230	1	SPRING, TRIGGER	
15	17801252730	1	LOCKOUT, TRIGGER	
16	17809052632	1	LEVER, TRIGGER LOCKOUT	
17	17801352630	1	SPRING, THROTTLE LOCKOUT	
18	A440000280	1	IGNITION SWITCH ASY	INCLUDES ITEMS 19-20
19	9154503010	1	SCREW - 3X10	
20	A444000020	1	KNOB, SWITCH - ORANGE	



031 0005 000

ITEM	PART NUMBER	QTY	DESCRIPTION	REMARKS
1	61001344730	1	DRIVESHAFT - FLEXIBLE	
2	C050001090	1	MAIN PIPE ASY	INCLUDES ITEMS 2-7
3	61024644730	1	STOPPER	
4	C507000260	1	LINER - FLEXIBLE	
5	X505002500	1	LABEL - CAUTION	
6	X505001930	1	LABEL - HANDLE LOCATION	
7	89015204930	1	LABEL - ALIGNMENT	



100 0036 000

ITEM	PART NUMBER	QTY	DESCRIPTION	REMARKS
1	89012152730	1	LABEL - CHOKE	
2	89033252730	1	LABEL - CHOKE	CANADA MODELS
3	X502000330	1	LABEL - ECHO	
4	X532000671	1	LABEL - SPARK PLUG -- BPM-8Y	
5	X532000720	1	LABEL - SPARK PLUG -- BPMR-8Y	CANADA MODELS
6	X547001480	1	LABEL - MODEL -- SRM-230	
7	X503003080	1	LABEL - MODEL -- SRM-230S	
8	X547001470	1	LABEL - MODEL -- SRM-230U	
9	X503001140	1	LABEL - MODEL -- SRM-231	
10	X503003110	1	LABEL - MODEL -- SRM-231S	
11	X503001630	1	LABEL - MODEL -- SRM-231U	
12	X505002310	1	LABEL - CAUTION -- HOT	



Part Number Index

Click The Page Number After Any Part Number To View The Diagram Containing That Part.

Part Number	Page	Part Number	Page	Part Number	Page
-----	7, 9, 11, 13, 15, 17, 29	61031507130	33	A556000030	23
10001311520	29	61036008931	33	C050001090	39
10001411520	29	61040247732	33	C507000260	39
10001504630	29	61041307130	33	C550000032	31
10021228230	29	61043450031	33	C552000110	31
10021305530	29	61092255931	23	P005000100	9, 11, 13, 15, 17
10024255930	29	69901644330	31	P005000120	9, 11, 13, 15
12531061830	9, 11, 13, 15, 17	89012152730	41	P005000180	9, 11, 13
12533942030	9, 11, 13, 15, 17	89015204930	39	P005000190	9, 11, 13, 15, 17
12534252130	9, 11, 13, 15, 17	89033252730	41	P005000250	9, 11, 13, 15, 17
12534413931	9, 11, 13, 15, 17	90010005035	33	P005000270	9, 11, 13, 15, 17
12534452130	9, 11, 13, 15, 17	90010505055	19	P005000280	9, 11, 13, 15, 17
12538108660	9, 11, 13, 15, 17	90010605012	5	P005000290	9
12901152730	7	90016205016	21, 27	P005000370	9, 11, 13
13001013410	7	90016205018	23	P005000530	9, 11
13001055930	7	90016205022	21, 29	P005000550	9, 11, 13, 15, 17
13001756431	7	90016205025	7, 29	P005000560	9
13031054130	7	90016205028	23	P005000570	9, 11, 13
13031305863	7	90023805016	31	P005000690	9, 11, 13
13031306563	7	90024204010	19	P005000700	9, 11, 13, 15
13100455530	21	90024205010	27, 33	P005000930	13, 15, 17
13101655830	21	90024205014	37	P005000950	11, 13, 15, 17
13104528230	21	90024205025	37	P005001000	11, 13, 15, 17
13105156030	21	90024205028	37	P005001230	15
13120519831	21	90024205035	35, 37	P005001240	15, 17
13201052030	21	90024205060	7	P005001260	15, 17
13201256030	21	90024405020	21	P005001270	15, 17
13201326630	21	90025305020	35	P005001330	17
13211555930	21	90050000005	31, 35, 37	P005001620	17
14580642030	19	90050200008	25	P021000021	35
14586240630	19	90051500008	27	P021000941	29
14586642031	19	90056500005	25	P021000991	7
15611240630	27	90060000005	19, 33, 35	P021001102	29
15901019830	27	90060300005	21	P021001393	31
15901103432	27	90070000004	25	P021001410	23
15901203433	27	90070100012	23	P021003910	27
16201056430	27	90070200022	33	P021004480	7
16201452930	27	90070200028	23, 29	SB1061	29
17504656030	23	90070200032	33	V100000060	29
17504805530	23	90070200042	23	V104000061	19
17504956030	23	90070600010	33	V353000020	5
17720055931	25	90070600012	33	V430000730	37
17721540630	25	90080000609	33	V451000090	23
17721840630	25	90080036001	29	V471000110	21
17722040630	25	90080796001	23	V475000850	37
17722603930	25	90085506900	33	V475002200	27
17722742030	25	90085806900	33	V553000010	29
17722827030	25	9111005016	5	V622000020	23
17723440630	25	9112604012	25	X502000330	41
17723644330	25	9154503010	37	X503001140	41
17724611120	25	9403536201	33	X503001630	41
17800352130	37	A011000042	29	X503003080	41
17801052130	37	A021000380	9, 11	X503003110	41
17801252730	37	A021000382	13	X505001930	39
17801352630	37	A021000720	15	X505002310	41
17804342230	37	A021000721	17	X505002500	39
17809052632	37	A052000030	25	X532000671	41
17811106230	23	A101000000	29	X532000720	41
21041752730	7	A130000341	29	X547001470	41
30120029430	37	A160000040	5	X547001480	41
30511057733	21	A160000060	5		
35120566230	35	A162000000	5		
35121352130	37	A172000030	23		
35121666230	35	A226001410	7		
35122507130	35	A313000350	19		
35123266230	35	A320000003	5		
61001344730	39	A350000111	21		
61023904130	33	A356000030	21		
61024644730	39	A409000130	27		
61027252130	37	A425000000	27		
61030044830	33	A440000280	37		
61031347731	33	A444000020	37		
		A553000010	23		



Part Description Index

Click The Page Number After Any Part Description To View The Diagram Containing That Part.

B

BASE, PURGE.....9, 11, 13, 15, 17
 BEARING, BALL - 6001.....23, 29
 BEARING, BALL - 609.....33
 BEARING, BALL - 6201.....33
 BEARING, BALL - 6900.....33
 BEARING, BALL - 6900Z.....33
 BEARING, NEEDLE - 8.....29
 BODY, CARBURETOR.....9, 11, 13, 15, 17
 BOLT - 5X35.....33
 BOLT - 8X8.....33
 BOLT, CLUTCH.....23
 BRACKET, HANDLE - LOWER.....35
 BRACKET, HANDLE - UPPER.....35
 BULB, PURGE.....9, 11, 13, 15, 17

C

CABLE, THROTTLE.....37
 CAP ASY - ORANGE.....21
 CAP, LIMITER.....15, 17
 CAP, SPARK PLUG.....27
 CARBURETOR.....7
 CARBURETOR -- RB-K66.....9, 11
 CARBURETOR -- RB-K66B.....13
 CARBURETOR -- RB-K70.....15
 CARBURETOR -- RB-K70A.....17
 CASE, AIR CLEANER - BLACK.....7
 CASE, AIR CLEANER - GRAY.....7
 CASE, FAN - GRAY.....23
 CLAMP.....23
 CLAMP KIT.....37
 CLIP.....21
 COIL, IGNITION.....27
 COLLAR - 5.....5
 CONNECTOR, CAP.....21
 CONTROL HANDLE KIT.....37
 COVER, AIR CLEANER - BLACK.....7
 COVER, AIR CLEANER - GRAY.....7
 COVER, DIAPHRAGM.....9, 11, 13, 15, 17
 COVER, ENGINE - GRAY.....5
 COVER, ENGINE - ORANGE.....5
 COVER, EXHAUST.....5
 CRANKCASE KIT.....29
 CRANKSHAFT ASY.....29
 CYLINDER.....29

D

DEBRIS SHIELD KIT - PLASTIC.....31
 DIAPHRAGM, METERING.....9, 11, 13, 15, 17
 DIAPHRAGM, PUMP.....9, 11, 13, 15, 17
 DIAPHRAGM/GASKET KIT.....9, 11, 13, 15, 17
 DRIVESHAFT - FLEXIBLE.....39
 DRUM, CLUTCH.....23

F

FAN CASE ASY - GRAY.....23
 FILTER, AIR - DOUBLE LAYER.....7
 FILTER, AIR - SINGLE LAYER.....7
 FILTER, FUEL.....21
 FLYWHEEL.....27
 FRONT HANDLE ASY.....35

G

GASKET.....21
 GASKET, CRANKCASE.....29
 GASKET, CYLINDER.....29
 GASKET, DIAPHRAGM.....9, 11, 13, 15, 17
 GASKET, EXHAUST.....19
 GASKET, INTAKE.....7, 29
 GASKET, PUMP.....9, 11, 13, 15, 17
 GEAR CASE ASY.....33
 GEAR SET - BEVEL.....33
 GEAR, SHAFT.....33
 GRIP, HANDLE.....35, 37
 GRIP, STARTER.....25
 GROMMET.....21, 27
 GUARD, FUEL TANK.....21
 GUARD, TOP.....5
 GUIDE, EXHAUST.....19
 GUIDE, ROLLER.....9, 11, 13, 15, 17
 GUIDE, ROPE.....25

H

HANDLE - FRONT.....35
 HOLDER, MAIN PIPE.....23

I

IGNITION SWITCH ASY.....37
 INSULATOR, INTAKE.....7

J

JET.....9, 11, 13

K

KNIFE, TRIMMER LINE.....31
 KNOB, SWITCH - ORANGE.....37

L

LABEL - ALIGNMENT.....39
 LABEL - CAUTION.....39
 LABEL - CAUTION -- HOT.....41
 LABEL - CHOKE.....41
 LABEL - ECHO.....41
 LABEL - HANDLE LOCATION.....39
 LABEL - MODEL -- SRM-230.....41
 LABEL - MODEL -- SRM-230S.....41
 LABEL - MODEL -- SRM-230U.....41
 LABEL - MODEL -- SRM-231.....41
 LABEL - MODEL -- SRM-231S.....41
 LABEL - MODEL -- SRM-231U.....41
 LABEL - SPARK PLUG -- BPM-8Y.....41
 LABEL - SPARK PLUG -- BPMR-8Y.....41
 LEAD - GROUND.....27
 LEAD - IGNITION.....27
 LEVER, METERING.....9, 11, 13, 15, 17
 LEVER, TRIGGER LOCKOUT.....37
 LINER - FLEXIBLE.....39
 LOCKOUT, TRIGGER.....37

M

MAIN PIPE ASY.....39
 MUFFLER.....19

N

NEEDLE - HIGH SPEED.....15, 17
 NUT.....9, 11, 13, 15, 31, 35, 37
 NUT - 5.....37
 NUT - 5 -- SQUARE.....25
 NUT - 8.....25
 NUT - 8 -- FLANGE.....27

O

O-RING.....9, 11, 13, 15, 17

P

PAWL, STARTER.....25
 PIN, DOWEL.....23
 PIN, METERING LEVER.....9, 11, 13, 15, 17
 PIN, PISTON.....29
 PIPE - 3X6X115.....21
 PIPE, FUEL - 3X6X170.....21
 PIPE, RETURN - 3X6X80.....21
 PISTON KIT.....29
 PLATE, ADAPTER - UPPER.....33
 PLATE, PREVENT.....7
 PLATE, SHIELD.....31
 PLUG KIT.....9, 11, 13

R

REEL, ROPE.....25
 REPAIR KIT.....9, 11, 13, 15, 17
 RETAINER, PURGE BULB.....9, 11, 13, 15, 17
 RETAINER, ROPE.....25
 RING, PISTON.....29
 RING, RETAINING.....9, 11, 13, 15, 17, 29
 RING, RETAINING - 10.....33
 RING, RETAINING - 12.....23, 33
 RING, RETAINING - 22.....33
 RING, RETAINING - 28.....23, 29
 RING, RETAINING - 32.....33
 RING, RETAINING - 4.....25
 RING, RETAINING - 42.....23
 ROPE, STARTER - 3.5X850.....25
 ROTOR COVER ASY.....9, 11, 13, 15, 17

S

SCREEN, SPARK ARRESTER.....19
 SCREW.....9, 11, 13, 15, 17, 25
 SCREW - 3X10.....37
 SCREW - 4X10.....19
 SCREW - 4X12.....25
 SCREW - 5X10.....27, 33
 SCREW - 5X12.....5
 SCREW - 5X14.....37
 SCREW - 5X16.....5, 21, 27, 31
 SCREW - 5X18.....23
 SCREW - 5X20.....21
 SCREW - 5X20 -- TAPPING.....35
 SCREW - 5X22.....21, 29
 SCREW - 5X25.....7, 29, 37
 SCREW - 5X28.....23, 37
 SCREW - 5X55.....19
 SCREW - 5X60.....7
 SCREW 5X35.....35, 37
 SCREW, CABLE ADJUST.....9, 11, 13, 15, 17
 SCREW, IDLE ADJUST.....9, 11, 13, 15, 17



Part Description Index (continued)

SCREW, METERING LEVER PIN.....9, 11, 13,
15, 17
 SCREW, PURGE BASE.....9, 11, 13, 15, 17
 SCREW, PURGE BULB RETAINER.....9, 11, 13,
15, 17
 SEAL, OIL.....29, 33
 SHIELD, DEBRIS - PLASTIC.....31
 SHIELD, EXHAUST.....19, 29
 SHOE, CLUTCH.....23
 SHORT BLOCK -- SB1061.....29
 SLEEVE.....21
 SPACER.....33
 SPACER, PISTON.....29
 SPARK PLUG -- BPM-8Y.....27
 SPARK PLUG -- BPMR-8Y.....27
 SPRING, CLUTCH.....23
 SPRING, METERING LEVER.....9, 11, 13, 15, 17
 SPRING, RETURN.....25
 SPRING, REWIND.....25
 SPRING, THROTTLE LOCKOUT.....37
 SPRING, TRIGGER.....37
 STARTER ASY.....25
 STARTER PAWL ASY.....25
 STOPPER.....39
 STRAINER.....9, 11, 13, 15, 17
 SWIVEL.....9, 11, 13, 15, 17

T

TANK, FUEL.....21
 TERMINAL, SPARK PLUG CAP.....27
 THUMBSCREW.....7
 TRIGGER, THROTTLE.....37
 TUBE, INSULATOR.....27
 TUBE, PROTECTIVE - CORRUGATED.....37

V

VALVE, INLET NEEDLE.....9, 11, 13, 15, 17
 VENT ASY.....21

W

WASHER.....19, 33, 35
 WASHER - 5.....21
 WASHER - 6.....23
 WASHER - SPRING.....23
 WASHER, SHIM.....33

NOTES



ECHO, INCORPORATED

400 Oakwood Road
Lake Zurich, IL 60047 USA

WWW.ECHO-USA.COM
