

PB-255 Power Blower

Soplador de Mano
25.4cc

S/N: P07711001001 - P07711999999



Optional Attachments & Accessories
Accessories

Rain Gutter Kit 99944100025
Yard Shield 99944200300

Accesorios & Accesorios Opcionales
Accesorios

Kit de canales de lluvia
Yard Shield

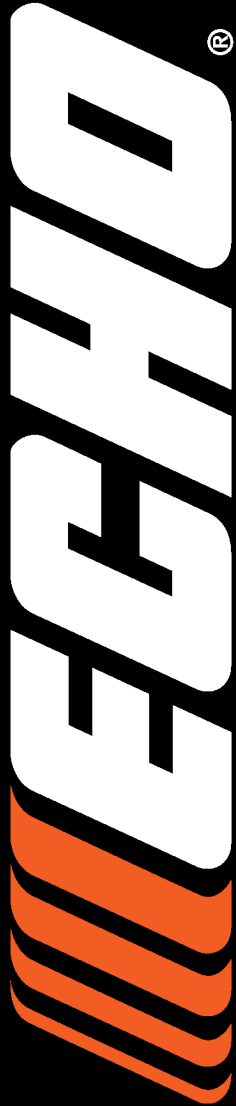


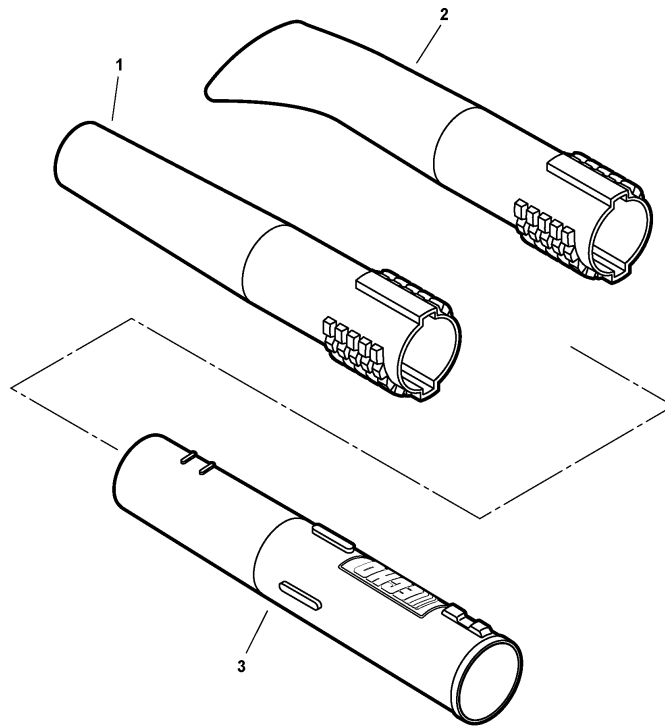
TABLE OF CONTENTS - CONTENIDO

Click Any Diagram Description Below To View That Diagram
Chasque cualquier descripción del diagrama abajo para ver ese diagrama

| | |
|---|-----------|
| Blower Tubes S/N: P07711001001 - P07711003815..... | 3 |
| Tubos de soplador N/S: P07711001001 - P07711003815 | |
| Blower Tubes S/N: P07711003816 - P07711999999..... | 4 |
| Tubos de soplador N/S: P07711003816 - P07711999999 | |
| Starter S/N: P07711001001 - P07711003815..... | 5 |
| Arrancador N/S: P07711001001 - P07711003815 | |
| Starter S/N: P07711003816 - P07711999999..... | 6 |
| Starter S/N: P07711003816 - P07711999999 | |
| Intake..... | 7 |
| Admisión | |
| Carburetor -- RB-K90..... | 8 |
| Carburador -- RB-K90 | |
| Exhaust..... | 10 |
| Escape | |
| Control Handle, Switch, Throttle Cable..... | 11 |
| Mango de Control, Interruptor, Cable del Acelerador | |
| Fuel System S/N: P07711001001 - P07711025728..... | 12 |
| Sistema de Combustible N/S: P07711001001 - P07711025728 | |
| Fuel System S/N: P07711005729 - P07711999999..... | 13 |
| Sistema de Combustible N/S: P07711005729 - P07711999999 | |
| Fan Housing..... | 14 |
| Carcasa del Ventilador | |
| Ignition, Cylinder Cover..... | 15 |
| Ignición, Cubierta del Cilindro | |
| Engine, Short Block -- SB1092..... | 16 |
| Motor, bloque corto -- SB1092 | |
| Labels..... | 17 |
| Etiquetas | |
| Gasket Kit -- P021012350..... | 18 |
| Kit de juntas -- P021012350 | |
| 90010 RePower CAP AND VENT KIT..... | 19 |
| 90010 Kit del Caquillo y del Respiradero | |
| 90107 RePower TUNE UP KIT..... | 20 |
| 90107 Kit de Puesta a Punto | |
| 90115 RePower FUEL SYSTEM KIT..... | 21 |
| 90115 Kit del Sistema de Carburante | |
| 90130 RePower FUEL SYSTEM KIT..... | 22 |
| 90130 Kit del Sistema de Carburante | |
| Part Number Index..... | 23 |
| Índice Del Número De Parte | |

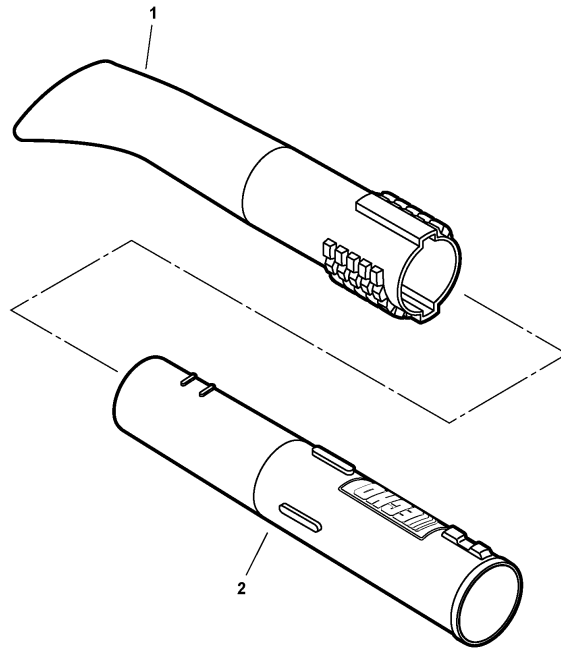


NOTES -- NOTAS



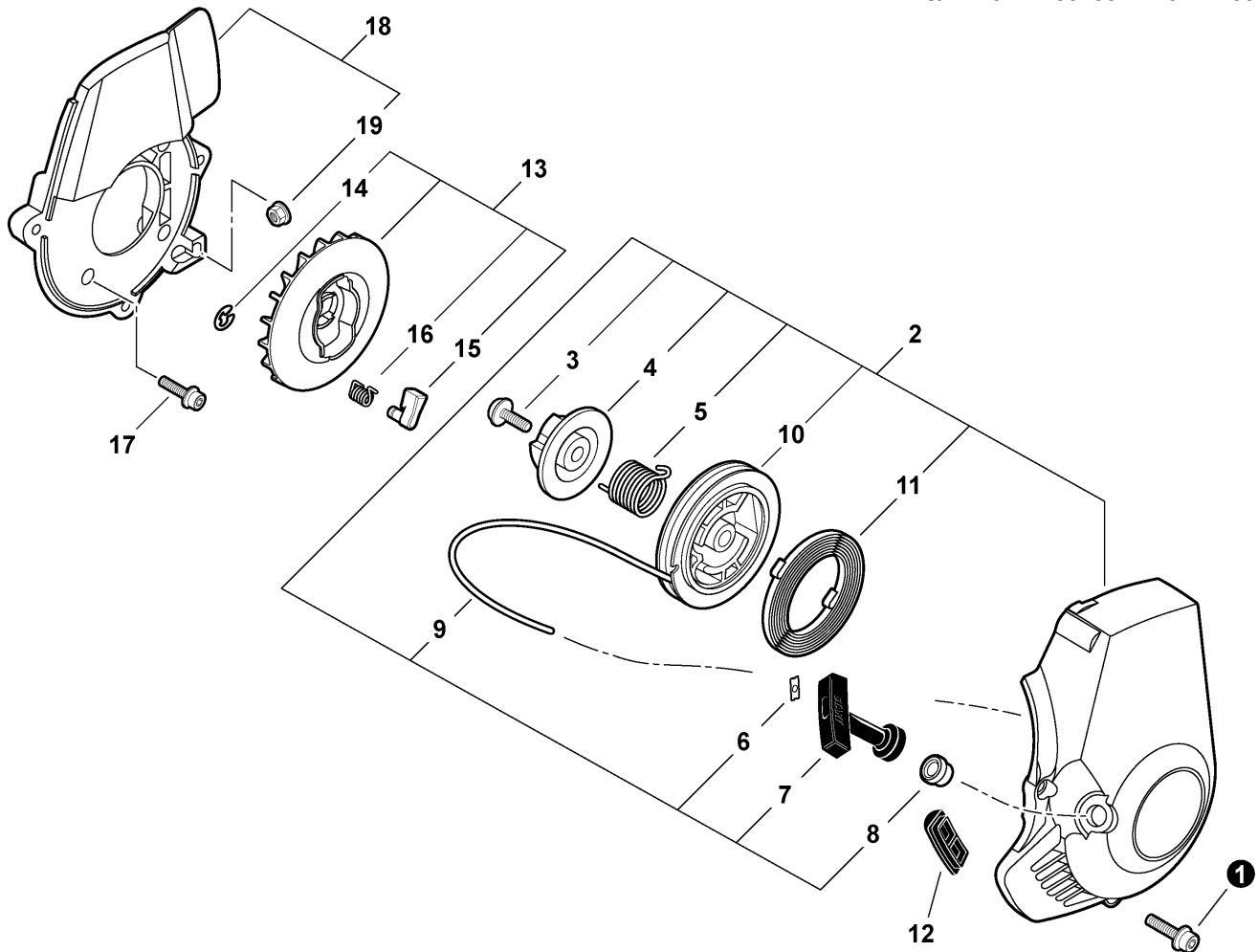
020 0009 00B

| | | | | |
|---|------------|---|------------------------------|---------------------------------|
| 1 | E165000170 | 1 | TUBE, BLOWER - NOZZLE | TUBO, SOPLADOR - BOQUILLA |
| 2 | E165000190 | 1 | TUBE, BLOWER - CURVED NOZZEL | TUBO, SOPLADOR - BOQUILLA CURVA |
| 3 | E165000180 | 1 | TUBE, BLOWER - STRAIGHT | TUBO, SOPLADOR - RECTO |



020 0020 000

| | | | | |
|---|------------|---|------------------------------|---------------------------------|
| 1 | E165000190 | 1 | TUBE, BLOWER - CURVED NOZZEL | TUBO, SOPLADOR - BOQUILLA CURVA |
| 2 | E165000180 | 1 | TUBE, BLOWER - STRAIGHT | TUBO, SOPLADOR - RECTO |

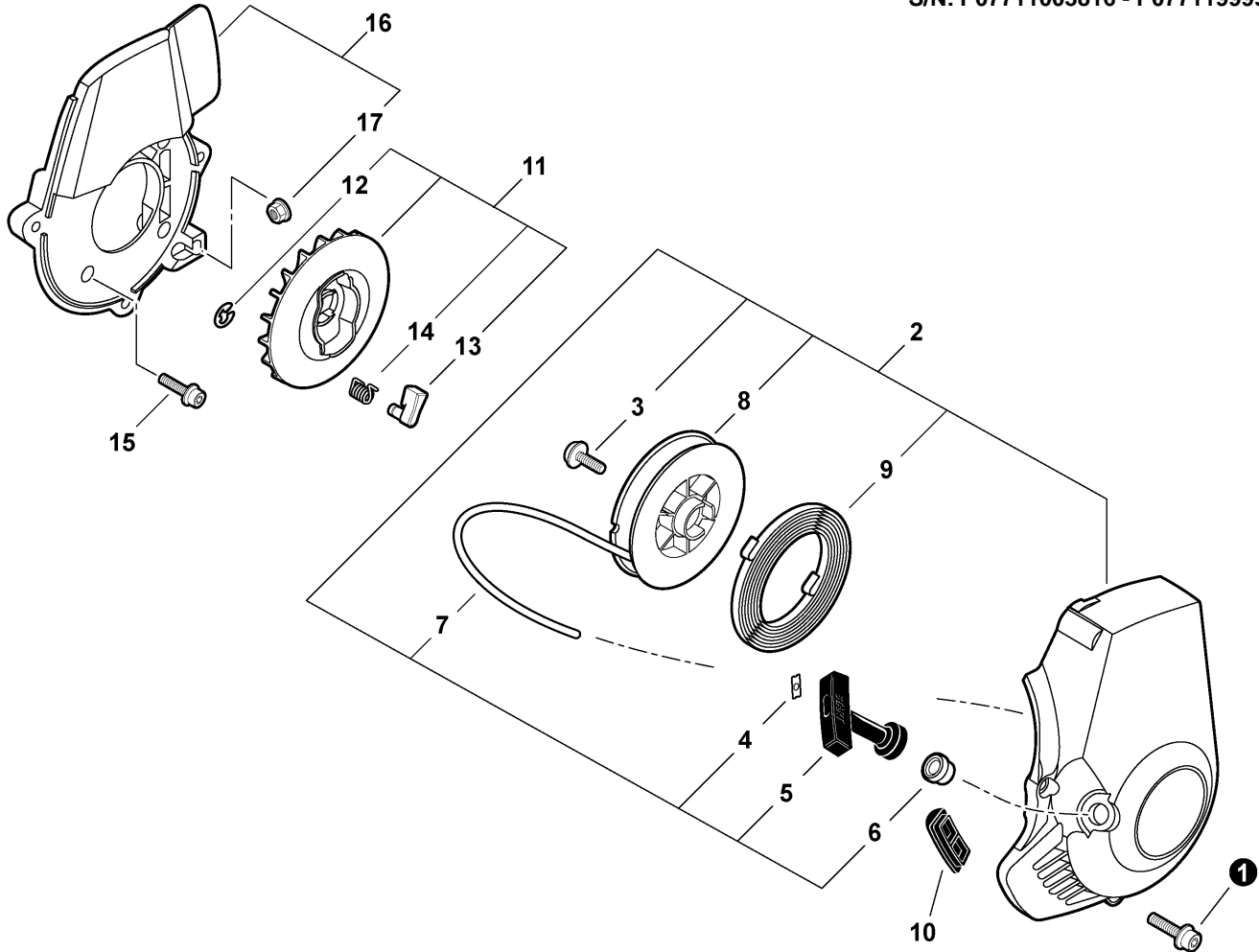


004 0017 00B

| | | | | |
|----|---------------|---|--------------------------------------|---|
| ① | 90010605014 | 3 | SCREW - 5X14 | TORNILLO - 5X14 |
| 2 | A051001180 | 1 | STARTER ASY | CONJUNTO DE ARRANCADOR |
| 3 | + 17723661830 | 1 | SCREW | TORNILLO |
| 4 | + P022008280 | 1 | PLATE, CAM | PLACA, LEVA |
| 5 | + P022008270 | 1 | SPRING, DAMPER | RESORTE, AMORTIGUADOR |
| 6 | + 17724611120 | 1 | RETAINER, ROPE | RETÉN, CUERDA |
| 7 | + 17722827030 | 1 | GRIP, STARTER | AGARRE, ARRANCADOR |
| 8 | + 17722742030 | 1 | GUIDE, ROPE | GUÍA, CUERDA |
| 9 | + P022008260 | 1 | ROPE, STARTER - 3X700 ⁽¹⁾ | CUERDA, ARRANCADOR - 3X700 ⁽¹⁾ |
| 10 | + P022006830 | 1 | ROPE, REEL | POLEA |
| 11 | + 17722042030 | 1 | SPRING, REWIND | RESORTE, REBOBINADO |
| 12 | V420001440 | 1 | CUSHION | COJÍN |
| 13 | A052000200 | 1 | STARTER PAWL ASY | CONJUNTO DE TRINQUETE DEL ARRANCADOR |
| 14 | + P022002100 | 2 | RING, RETAINING - 4 | ANILLO, RETÉN - 4 |
| 15 | + P022006850 | 2 | PAWL | TRINQUETE |
| 16 | + 17723412220 | 2 | SPRING, RETURN | RESORTE, RETORNO |
| 17 | 90016304016 | 4 | SCREW - 4X16 | TORNILLO - 4X16 |
| 18 | P021013780 | 1 | SPACER | ESPACIADOR |
| 19 | + V263000070 | 1 | NUT - 5 -- FLANGE | TUERCA, DE BRIDA - 5 |

(FOOTNOTE) 1 - RePower BULK OPTION: 99944440000

(NOTA DEL PIE) 1 - OPCIÓN A GRANEL de la RePower: 99944440000

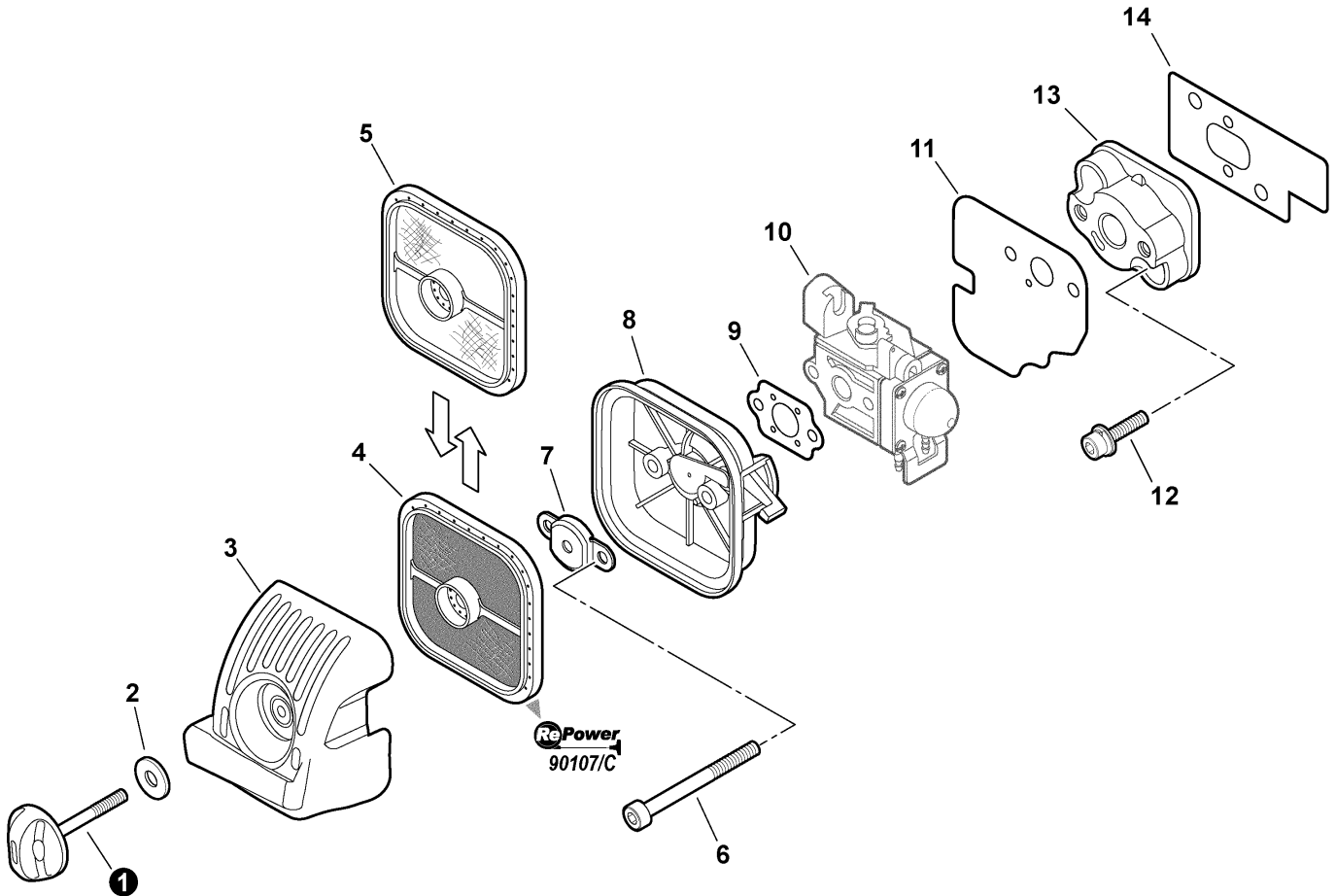


004 0017 000

| | | | | |
|----|---------------|---|--------------------------------------|---|
| 1 | 90010605014 | 3 | SCREW - 5X14 | TORNILLO - 5X14 |
| 2 | A051001060 | 1 | STARTER ASY | CONJUNTO DE ARRANCADOR |
| 3 | + 17723644330 | 1 | SCREW | TORNILLO |
| 4 | + 17724611120 | 1 | RETAINER, ROPE | RETÉN, CUERDA |
| 5 | + 17722827030 | 1 | GRIP, STARTER | AGARRE, ARRANCADOR |
| 6 | + 17722742030 | 1 | GUIDE, ROPE | GUÍA, CUERDA |
| 7 | + P022008260 | 1 | ROPE, STARTER - 3X700 ⁽¹⁾ | CUERDA, ARRANCADOR - 3X700 ⁽¹⁾ |
| 8 | + 17721544430 | 1 | REEL, ROPE | CARRETE, CUERDA |
| 9 | + 17722042030 | 1 | SPRING, REWIND | RESORTE, REBOBINADO |
| 10 | V420001440 | 1 | CUSHION | COJÍN |
| 11 | A052000200 | 1 | STARTER PAWL ASY | CONJUNTO DE TRINQUETE DEL ARRANCADOR |
| 12 | + 90070000004 | 2 | RING, RETAINING - 4 | ANILLO, RETÉN - 4 |
| 13 | + P022006850 | 2 | PAWL | TRINQUETE |
| 14 | + 17723412220 | 2 | SPRING, RETURN | RESORTE, RETORNO |
| 15 | + 90016304016 | 4 | SCREW - 4X16 | TORNILLO - 4X16 |
| 16 | V376000900 | 1 | SPACER ASY | CONJUNTO DE ESPACIADOR |
| 17 | + V263000070 | 1 | NUT - 5 -- FLANGE | TUERCA, DE BRIDA - 5 |

(FOOTNOTE) 1 - RePower BULK OPTION: 99944440000

(NOTA DEL PIE) 1 - OPCIÓN A GRANDEL de la RePower: 99944440000



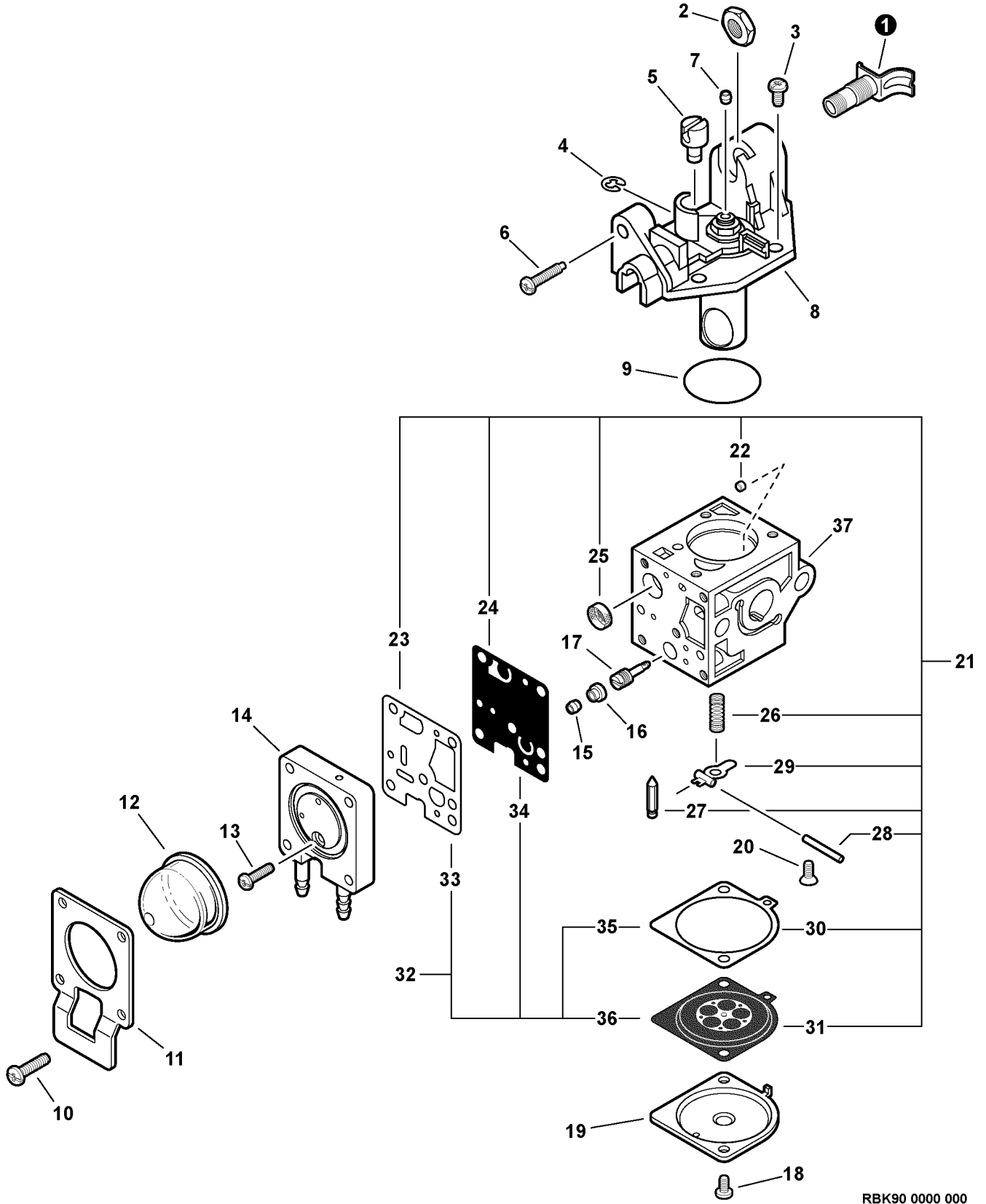
005 0017 00B

| | | | | |
|----|-------------|---|---|--|
| ① | V299000250 | 1 | THUMBSCREW | TORNILLO, DE OREJETAS |
| 2 | 13191103460 | 1 | WASHER | ARANDELA |
| 3 | A232000340 | 1 | COVER, AIR CLEANER | CUBIERTA, FILTRO DE AIRE |
| 4 | A226000471 | 1 | FILTER, AIR - DOUBLE LAYER ⁽¹⁾ | FILTRO DE AIRE - CAPA DOBLE ⁽¹⁾ |
| 5 | A226000350 | 1 | FILTER, AIR - SINGLE LAYER ⁽²⁾ | FILTRO DE AIRE - CAPA ÚNICA ⁽²⁾ |
| 6 | 90010505060 | 2 | SCREW - 5X60 | TORNILLO - 5X60 |
| 7 | A244000070 | 1 | PLATE, PREVENT | PLACA, PRE-RESPIRADERO |
| 8 | P021010980 | 1 | AIR CLEANER CASE ASY | CONJUNTO DE CARCASA DEL FILTRO DE AIRE |
| 9 | 13001642031 | 1 | GASKET, INTAKE ⁽³⁾ | JUNTA, ADMISIÓN ⁽³⁾ |
| 10 | ----- | 1 | CARBURETOR ⁽⁴⁾ | CARBURADOR ⁽⁴⁾ |
| 11 | V103000400 | 1 | GASKET, INTAKE ⁽³⁾ | JUNTA, ADMISIÓN ⁽³⁾ |
| 12 | 90016205025 | 2 | SCREW - 5X25 | TORNILLO - 5X25 |
| 13 | A200000280 | 1 | INSULATOR | AISLANTE |
| 14 | V103000390 | 1 | GASKET, INTAKE ⁽³⁾ | JUNTA, ADMISIÓN ⁽³⁾ |
| 16 | 90107 | | RePower TUNE-UP KIT | KIT DE PUESTA A PUNTO |
| 16 | 90107C | | RePower TUNE-UP KIT ⁽⁵⁾ | KIT DE PUESTA A PUNTO ⁽⁵⁾ |

(FOOTNOTE) 1 - Included In RePower KIT
 2 - OPTIONAL
 3 - Included In GASKET KIT
 4 - See Carburetor Diagram For Details
 5 - CANADA MODELS

(NOTA DEL PIE) 1 - Includido en KIT de la RePower
 2 - OPCIONAL
 3 - Includido en KIT de la JUNTA
 4 - Vea el diagrama del carburador para los detalles
 5 - MODELOS DE CANADÁ

Soplador de Mano

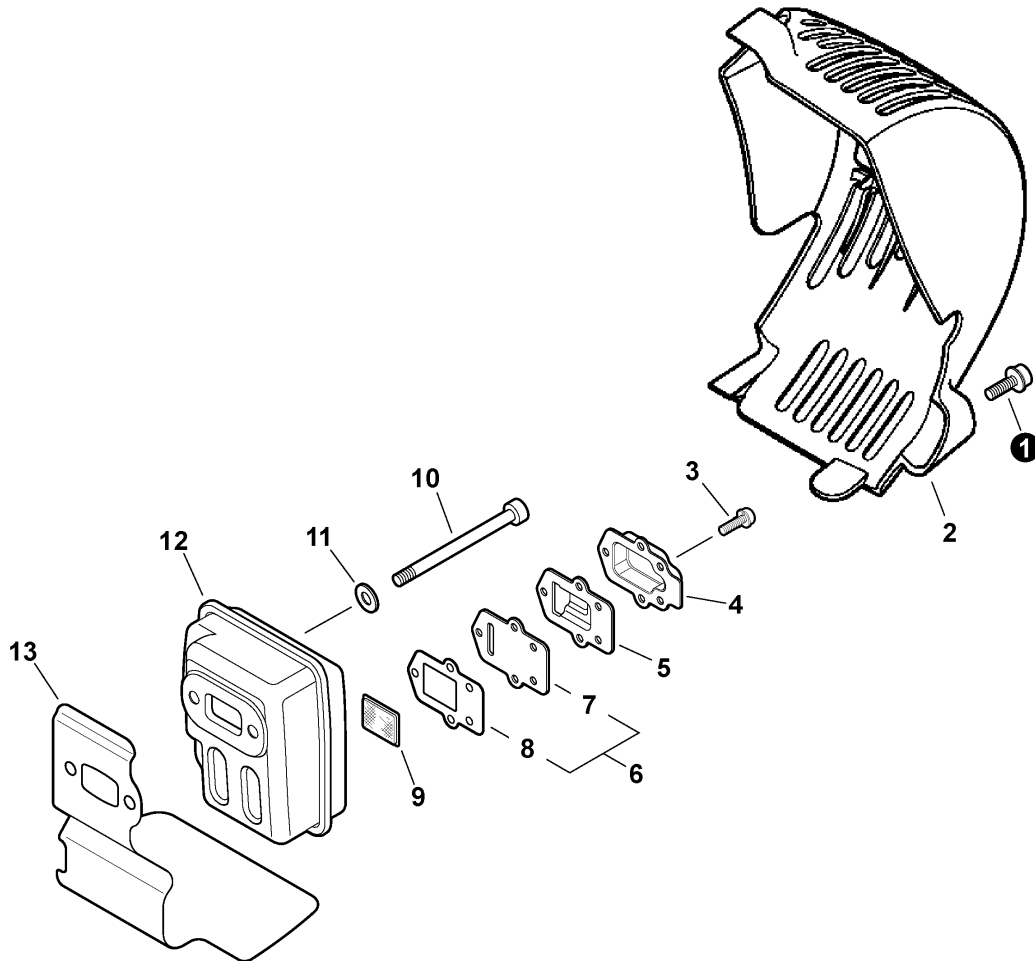
Carburetor -- RB-K90
Carburador -- RB-K90

RBK90 0000 000

| | | | | |
|----|---------------|---|---------------------------------|---------------------------------------|
| | A021001591 | 1 | CARBURETOR -- RB-K90 | CARBURETOR -- RB-K90 |
| ① | + P005002030 | 1 | GUIDE, CABLE | AJUSTADOR, CABLE |
| 2 | + P005000120 | 1 | NUT - 6 | TUERCA |
| 3 | + 12534413931 | 3 | SCREW | TORNILLO |
| 4 | + P005000190 | 1 | RING, RETAINING | ANILLO, RETÉN |
| 5 | + P005002090 | 1 | SWIVEL | PIVOTE |
| 6 | + P005000100 | 1 | SCREW, IDLE ADJUST | TORNILLO, AJUSTE DE RALENTÍ |
| 7 | + P005001270 | 1 | PLUG | TAPA, LIMITADOR |
| 8 | + P005002000 | 1 | ROTOR COVER ASY | CONJUNTO DE CUBIERTA DEL ROTOR |
| 9 | + P005000280 | 1 | O-RING | ANILLO O |
| 10 | + P005001900 | 4 | SCREW, PURGE BULB RETAINER | TORNILLO, RETÉN DEL BULBO DE LA PURGA |
| 11 | + P005000250 | 1 | RETAINER, PURGE BULB | RETÉN, BULBO DE LA PURGA |
| 12 | + 12538108660 | 1 | BULB, PURGE | BULBO, PURGA |
| 13 | + P005000270 | 1 | SCREW, PURGE BASE | TORNILLO, BASE, PURGA |
| 14 | + P005001890 | 1 | BASE, PURGE | BASE, PURGA |
| 15 | + P005001270 | 1 | PLUG | TAPA, LIMITADOR |
| 16 | + P005001250 | 1 | CAP, LIMITER | TAPÓN |
| 17 | + P005001260 | 1 | NEEDLE - HIGH SPEED | AGUJA - ALTA VELOCIDAD |
| 18 | + 12534452130 | 2 | SCREW | TORNILLO |
| 19 | + 12534252130 | 1 | COVER, METERING | CUBIERTA, DIAFRAGMA |
| 20 | + 12533942030 | 1 | SCREW, METERING LEVER PIN | TORNILLO, PASADOR DE RETÉN |
| 21 | + P005001670 | 1 | REPAIR KIT | KIT DE REPARACIÓN |
| 22 | + P005001000 | 1 | GUIDE, ROLLER | GUÍA, RODILLO |
| 23 | + ----- | 1 | GASKET, PUMP | JUNTA, BOMBA |
| 24 | + ----- | 1 | DIAPHRAGM, PUMP | DIAPHRAGMA, BOMBA |
| 25 | + ----- | 1 | STRAINER | TAMIZ |
| 26 | + ----- | 1 | SPRING, METERING LEVER | RESORTE, PALANCA DE DOSIFICACIÓN |
| 27 | + ----- | 1 | VALVE, INLET NEEDLE | VÁLVULA DE AGUJA, ADMISIÓN |
| 28 | + ----- | 1 | PIN, METERING LEVER | PASADOR, PALANCA DE DOSIFICACIÓN |
| 29 | + ----- | 1 | LEVER, METERING | PALANCA, DOSIFICACIÓN |
| 30 | + ----- | 1 | GASKET, METERING | JUNTA, DOSIFICACIÓN |
| 31 | + ----- | 1 | DIAPHRAGM, METERING | DIAPHRAGMA, DOSIFICACIÓN |
| 32 | + P005001660 | 1 | DIAPHRAGM/GASKET KIT | KIT DE DIAFRAGMA/JUNTA |
| 33 | + ----- | 1 | GASKET, PUMP | JUNTA, BOMBA |
| 34 | + ----- | 1 | DIAPHRAGM, PUMP | DIAPHRAGMA, BOMBA |
| 35 | + ----- | 1 | GASKET, METERING | JUNTA, DOSIFICACIÓN |
| 37 | + ----- | 1 | DIAPHRAGM, METERING | DIAPHRAGMA, DOSIFICACIÓN |
| 36 | + ----- | 1 | BODY, CARBURETOR ⁽¹⁾ | CUERPO, CARBURADOR ⁽¹⁾ |

(FOOTNOTE) 1 - NOT AVAILABLE SEPARATELY

(NOTA DEL PIE) 1 - NO DISPONIBLE POR SEPARADO

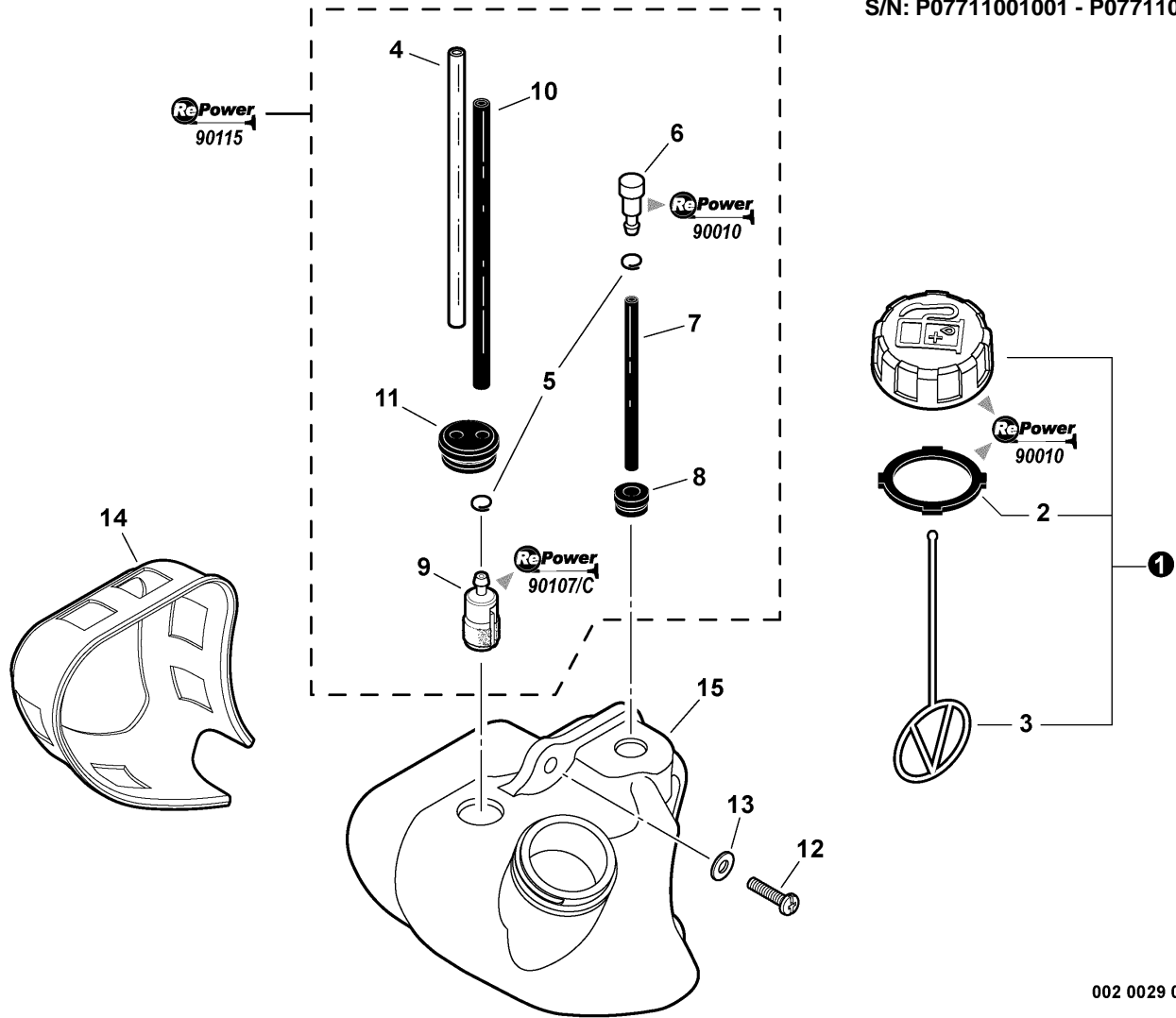


006 0024 000

| | | | | |
|----|--------------|---|--------------------------------|----------------------------------|
| ① | 90010605014 | 2 | SCREW - 5X14 | TORNILLO - 5X14 |
| 2 | A320000410 | 1 | COVER, EXHAUST | CUBIERTA, ESCAPE |
| 3 | 9136704010 | 5 | SCREW - 4X10 | TORNILLO - 4X10 |
| 4 | A313000850 | 1 | GUIDE, EXHAUST - OUTER | GUÍA, ESCAPE - EXTERIOR |
| 5 | A313000840 | 1 | GUIDE, EXHAUST - INNER | GUÍA, ESCAPE - INTERIOR |
| 6 | P021016930 | 1 | EXHAUST GUIDE KIT | KIT DE GUÍA, ESCAPE |
| 7 | + A313001070 | 1 | GUIDE, EXHAUST | GUÍA, ESCAPE |
| 8 | V104000940 | 1 | GASKET, EXHAUST ⁽¹⁾ | JUNTA, ESCAPE ⁽¹⁾ |
| 9 | A310000070 | 1 | SCREEN, SPARK ARRESTER | PANTALLA, SUPRESOR DE CHISPAS |
| 10 | V203000190 | 2 | BOLT - 5 | PERNO - 5 |
| 11 | 90060300005 | 2 | WASHER - 5 | ARANDELA - 5 |
| 12 | A300000810 | 1 | MUFFLER | SILENCIADOR |
| 13 | V104000820 | 1 | SHIELD, EXHAUST ⁽¹⁾ | PROTECTOR, ESCAPE ⁽¹⁾ |

(FOOTNOTE) 1 - Included In GASKET KIT

(NOTA DEL PIE) 1 - Incluido en KIT de la JUNTA



002 0029 000

| | | | | |
|----|---------------|---|--|--|
| ① | 13100455530 | 1 | CAP ASY - ORANGE | CONJUNTO DE TAPA - NARANJA |
| 2 | + 13101655830 | 1 | GASKET | JUNTA |
| 3 | + 13105156030 | 1 | CONNECTOR, CAP | CONECTOR, TAPA |
| 4 | 13201049730 | 1 | PIPE - 3X6X85 -- CLEAR ⁽¹⁾ | TUBO - 3X6X85 -- TRANSPARENTE ⁽¹⁾ |
| 5 | 13201309820 | 2 | CLIP - 6 | GANCHO - 6 |
| 6 | A356000030 | 1 | VENT, FUEL TANK | RESPIRADERO, TANQUE DE COMBUSTIBLE |
| 7 | V471001220 | 1 | PIPE - 3X5X50 -- BLACK ⁽²⁾ | TUBO, RESPIRADERO - 3X5X50 ⁽²⁾ |
| 8 | 13211501461 | 1 | GROMMET | ANILLO DE GOMA |
| 9 | 13120507320 | 1 | FILTER, FUEL ⁽³⁾ | FILTRO DE COMBUSTIBLE ⁽³⁾ |
| 10 | V471001860 | 1 | PIPE - 3X5X175 -- BLACK ⁽²⁾ | TUBO, CEBADOR - 3X5X175 ⁽²⁾ |
| 11 | 13211544330 | 1 | GROMMET | ANILLO DE GOMA |
| 12 | 90025305020 | 2 | SCREW - 5X20 -- TAPPING | TORNILLO - 5X20 |
| 13 | 90060300005 | 2 | WASHER - 5 | ARANDELA - 5 |
| 14 | V420001430 | 1 | GUARD, FUEL TANK | PROTECTOR, TANQUE DE COMBUSTIBLE |
| 15 | A350000760 | 1 | TANK, FUEL | TANQUE, COMBUSTIBLE |
| 16 | 90115 | | RePower FUEL SYSTEM KIT | KIT DEL SISTEMA DE CARBURANTE |
| 17 | 90107 | | RePower TUNE-UP KIT | KIT DE PUESTA A PUNTO |
| 17 | 90107C | | RePower TUNE-UP KIT ⁽⁴⁾ | KIT DE PUESTA A PUNTO ⁽⁴⁾ |
| 18 | 90010 | | RePower CAP/VENT KIT | KIT REPOWER DE TAPA Y RESPIRADERO |

(FOOTNOTE) 1 - RePower BULK OPTION: 90017
 2 - RePower BULK OPTION: 90014
 3 - Included In RePower KIT
 4 - CANADA MODELS

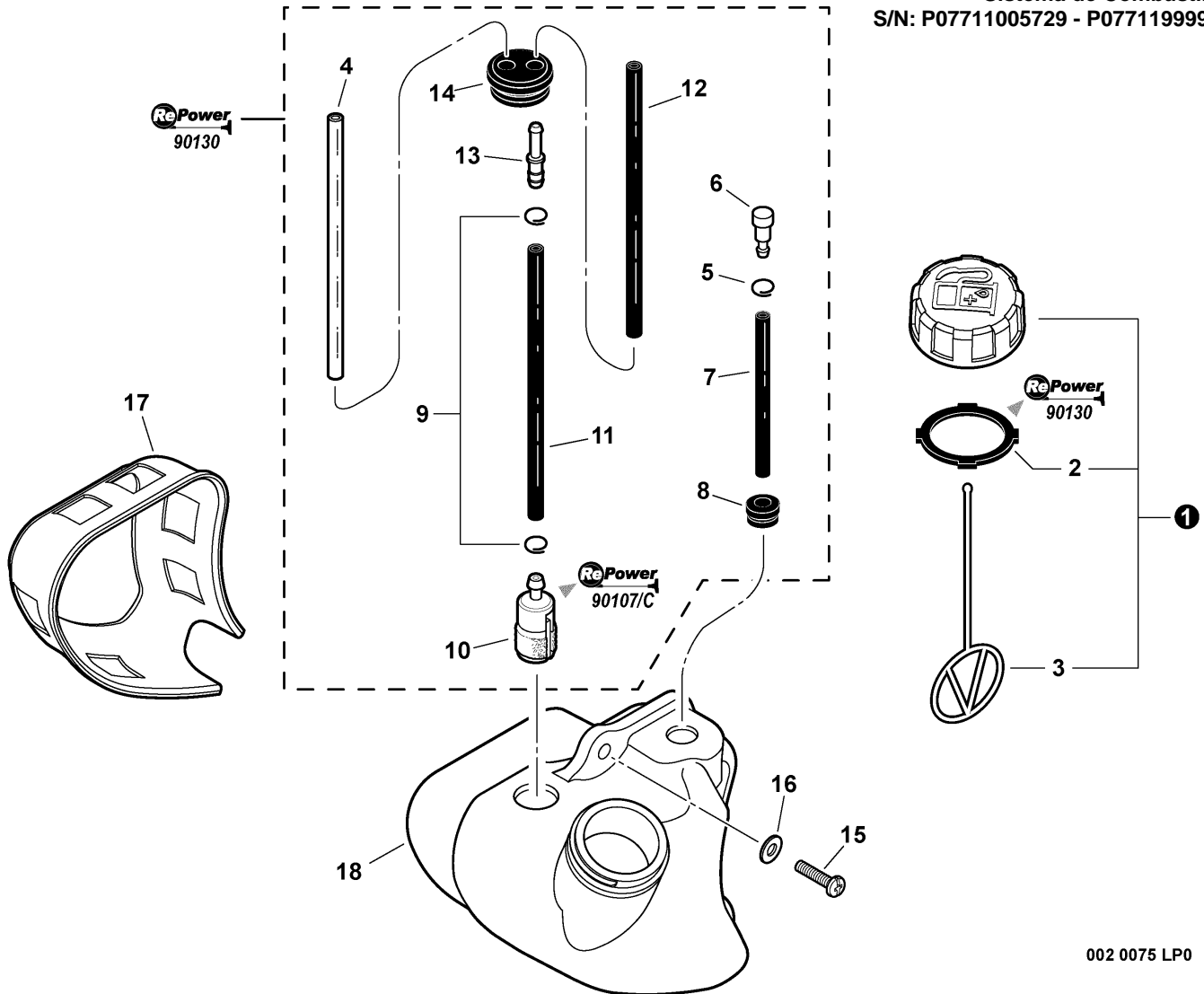
(NOTA DEL PIE) 1 - OPCIÓN A GRANEL de la RePower: 90017
 2 - OPCIÓN A GRANEL de la RePower: 90014
 3 - Incluido en KIT de la RePower
 4 - MODELOS DE CANADÁ

Soplador de Mano

Fuel System

Sistema de Combustible

S/N: P07711005729 - P07711999999

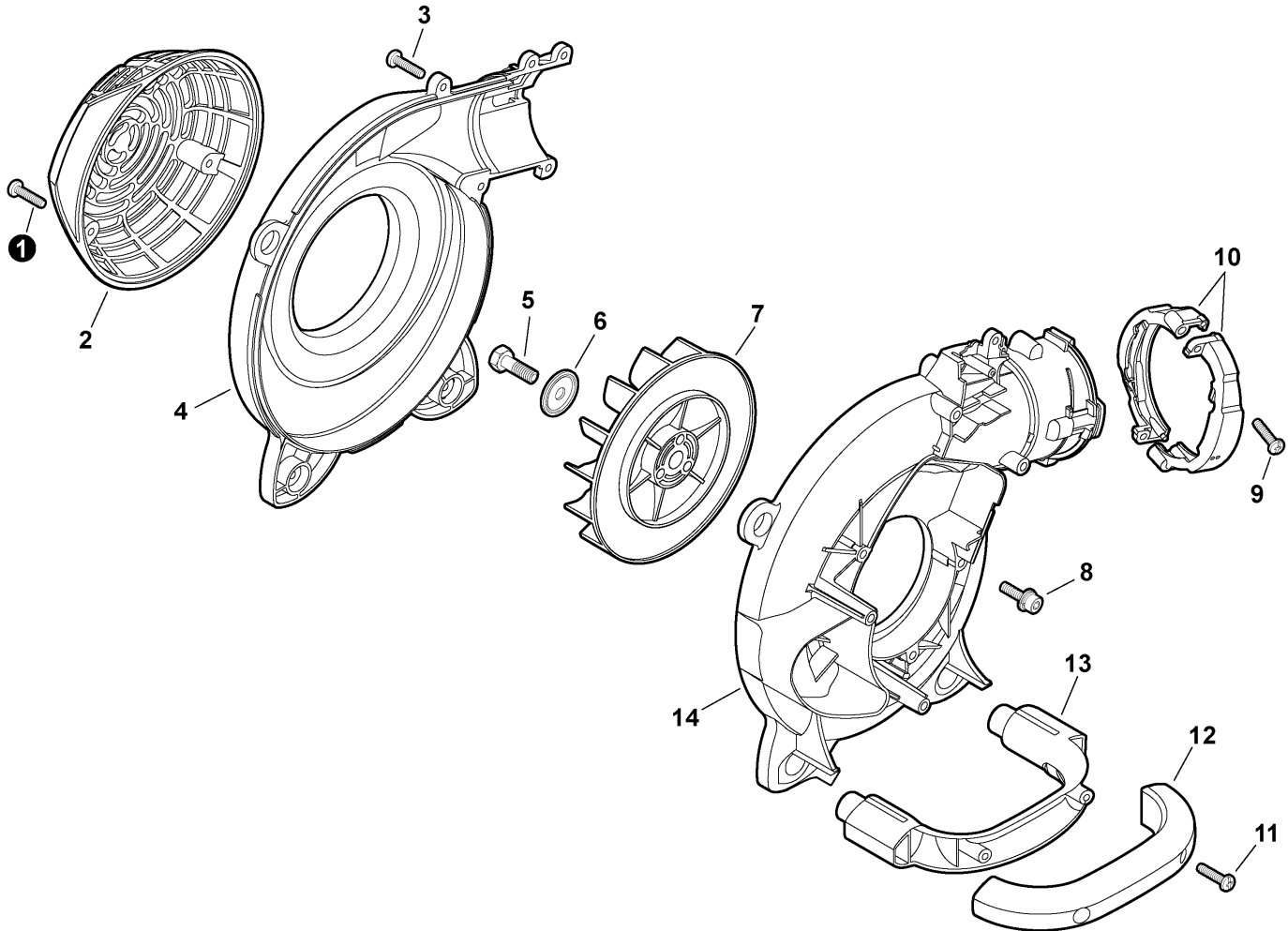


002 0075 LPO

| | | | | |
|----|---------------|---|---------------------------------------|--|
| ① | 13100455530 | 1 | CAP ASY - ORANGE | CONJUNTO DE TAPA - NARANJA |
| 2 | + V107000150 | 1 | GASKET | JUNTA, TAPA |
| 3 | + 13105156030 | 1 | CONNECTOR, CAP | CONECTOR, TAPA |
| 4 | 13201049730 | 1 | PIPE - 3X6X85 -- CLEAR ⁽¹⁾ | TUBO - 3X6X85 -- TRANSPARENTE ⁽¹⁾ |
| 5 | V490001240 | 1 | CLIP - 6 | GANCHO - 6 |
| 6 | A356000030 | 1 | VENT, FUEL TANK | RESPIRADERO, TANQUE DE COMBUSTIBLE |
| 7 | V471001220 | 1 | PIPE - 3X5X50 -- BLACK ⁽²⁾ | TUBO, RESPIRADERO - 3X5X50 ⁽²⁾ |
| 8 | 13211501461 | 1 | GROMMET | ANILLO DE GOMA |
| 9 | V490001240 | 2 | CLIP - 6 | GANCHO - 6 |
| 10 | 13120507320 | 1 | FILTER, FUEL ⁽³⁾ | FILTRO DE COMBUSTIBLE ⁽³⁾ |
| 11 | V471001210 | 1 | PIPE - 3X5X90 -- BLACK ⁽²⁾ | TUBO - 3X5X90 -- NEGRO ⁽²⁾ |
| 12 | V471003600 | 1 | PIPE - 3X5X87 -- BLACK ⁽²⁾ | TUBO - 3X5X87 -- NEGRO ⁽²⁾ |
| 13 | V186000520 | 1 | CONNECTOR, FUEL PIPE ⁽²⁾ | CONECTOR, TUBO ⁽²⁾ |
| 14 | 13211544330 | 1 | GROMMET | ANILLO DE GOMA |
| 15 | 90025305020 | 2 | SCREW - 5X20 -- TAPPING | TORNILLO - 5X20 |
| 16 | 90060300005 | 2 | WASHER - 5 | ARANDELA - 5 |
| 17 | V420001430 | 1 | GUARD, FUEL TANK | PROTECTOR, TANQUE DE COMBUSTIBLE |
| 18 | A350000760 | 1 | TANK, FUEL | TANQUE, COMBUSTIBLE |
| 19 | 90130 | | RePower FUEL SYSTEM KIT | KIT DEL SISTEMA DE CARBURANTE |
| 20 | 90107 | | RePower TUNE-UP KIT | KIT DE PUESTA A PUNTO |
| 20 | 90107C | | RePower TUNE-UP KIT ⁽⁴⁾ | KIT DE PUESTA A PUNTO ⁽⁴⁾ |

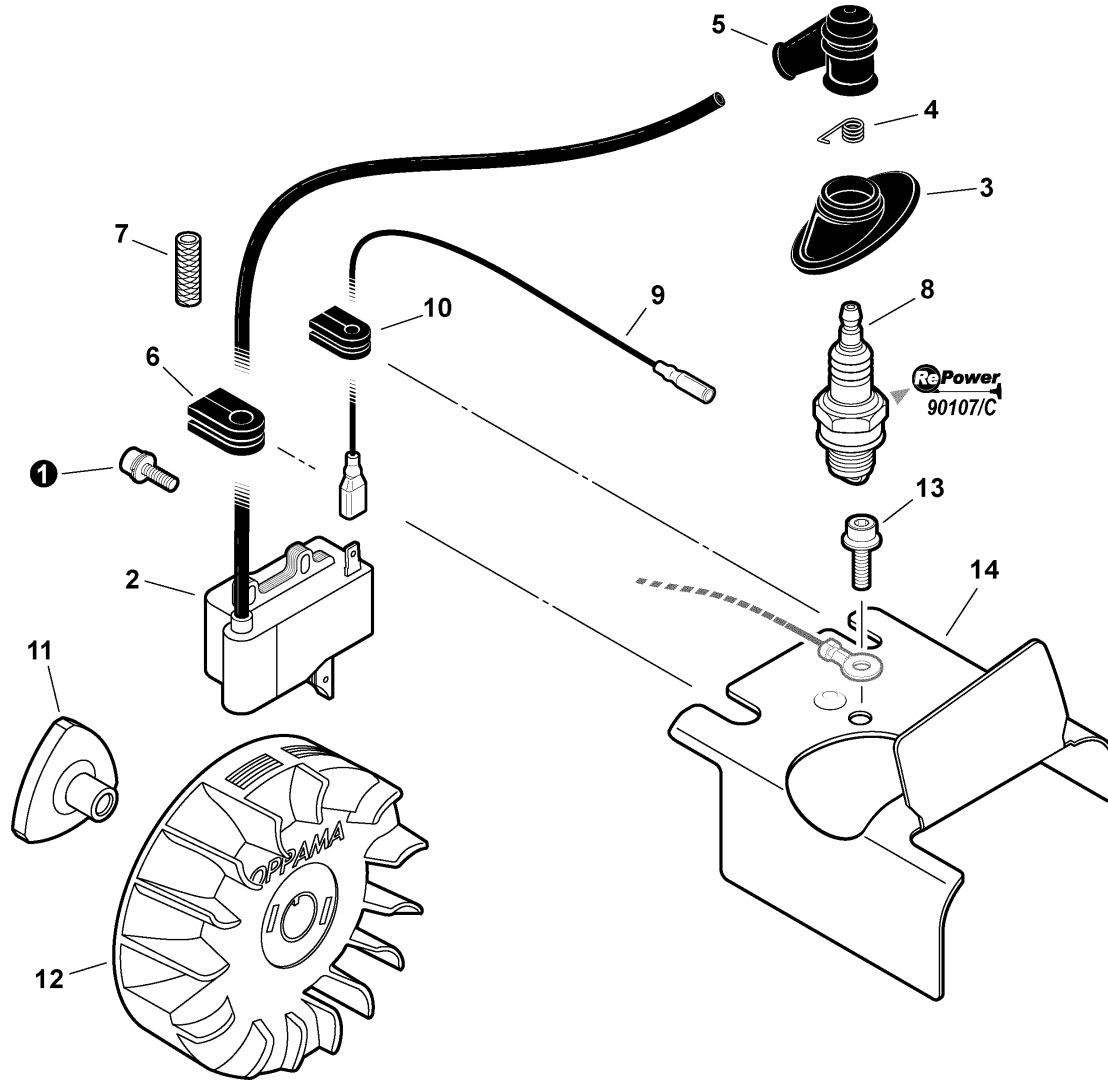
(FOOTNOTE) 1 - RePower BULK OPTION: 90017
 2 - RePower BULK OPTION: 90014
 3 - Included In RePower KIT
 4 - CANADA MODELS

(NOTA DEL PIE) 1 - OPCIÓN A GRANEL de la RePower: 90017
 2 - OPCIÓN A GRANEL de la RePower: 90014
 3 - Incluido en KIT de la RePower
 4 - MODELOS DE CANADÁ



021 0012 000

| | | | | |
|----|-------------|---|-------------------------|----------------------------------|
| 1 | 90025305020 | 3 | SCREW - 5X20 -- TAPPING | TORNILLO - 5X20 |
| 2 | E104000080 | 1 | GUARD, FAN | PROTECTOR, VENTILADOR |
| 3 | 90025305020 | 7 | SCREW - 5X20 -- TAPPING | TORNILLO - 5X20 |
| 4 | E103000461 | 1 | COVER, FAN - LEFT | CUBIERTA, VENTILADOR - IZQUIERDA |
| 5 | 90010008014 | 1 | BOLT - 8X14 | PERNO - 8X14 |
| 6 | 10014319830 | 1 | WASHER - COMPRESSION | ARANDELA |
| 7 | E100000070 | 1 | FAN | VENTILADOR |
| 8 | 90016204020 | 4 | SCREW - 4X20 | TORNILLO - 4X20 |
| 9 | 90025305020 | 2 | SCREW - 5X20 -- TAPPING | TORNILLO - 5X20 |
| 10 | E162000000 | 2 | CLAMP | ABRAZADERA |
| 11 | 90025305020 | 2 | SCREW - 5X20 -- TAPPING | TORNILLO - 5X20 |
| 12 | C410000400 | 1 | HANDLE, LOWER - OUTER | MANGO INFERIOR - EXTERIOR |
| 13 | C410000391 | 1 | HANDLE, LOWER - INNER | MANGO INFERIOR - INTERIOR |
| 14 | E103000451 | 1 | COVER, FAN - RIGHT | CUBIERTA, VENTILADOR - DERECHO |

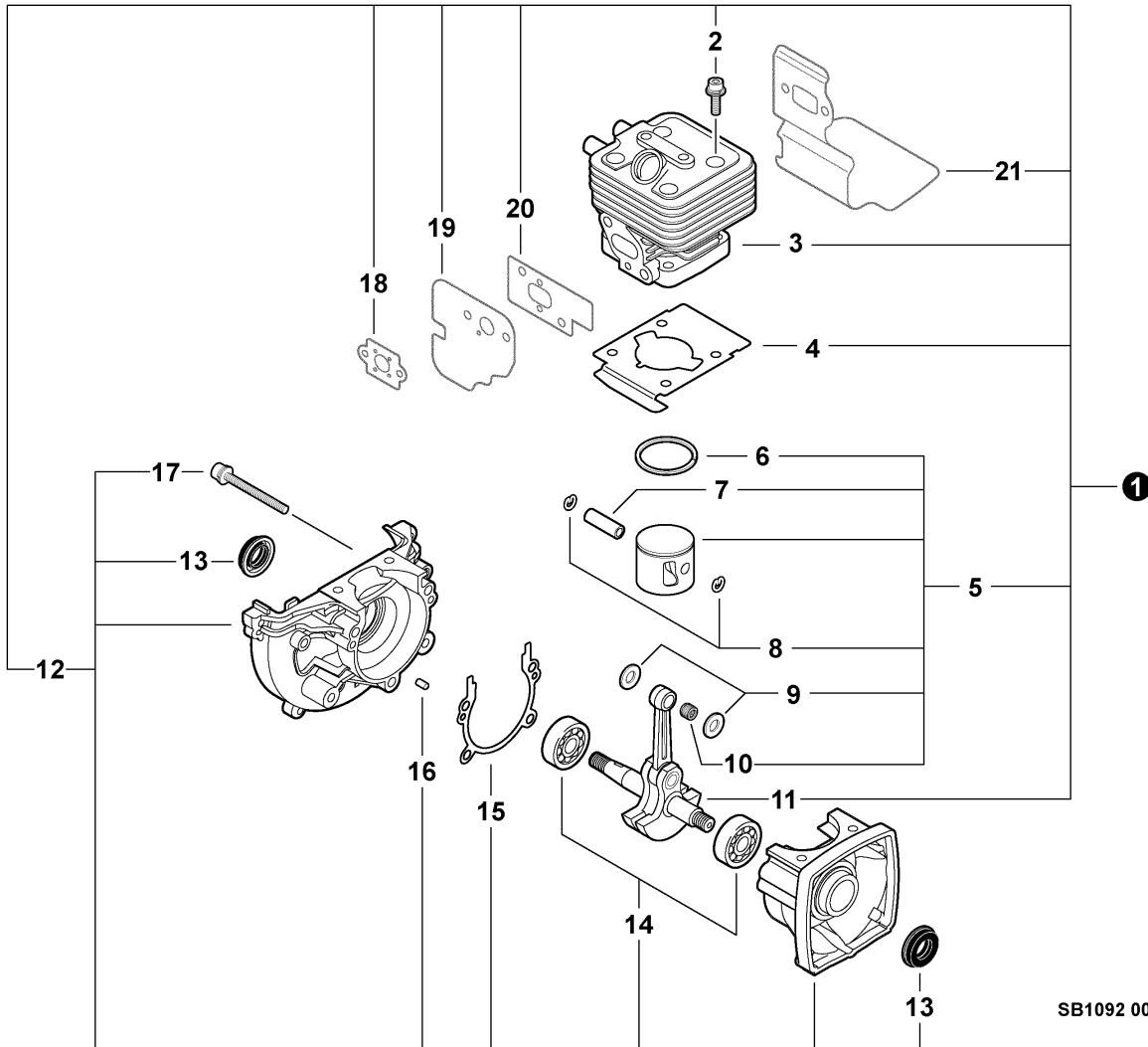


007 0018 00B

| | | | | |
|----|-------------|---|--------------------------------------|--------------------------------------|
| ① | 9111304020 | 2 | SCREW - 4X20 | TORNILLO - 4X20 |
| 2 | A411000290 | 1 | COIL, IGNITION | BOBINA, IGNICIÓN |
| 3 | A429000010 | 1 | COVER, DUST | CUBIERTA, ANTIPOLVO |
| 4 | A426000010 | 1 | TERMINAL, SPARK PLUG CAP | TERMINAL, CAPUCHÓN DE BUJÍA |
| 5 | A427000013 | 1 | CAP, SPARK PLUG | TAPA, BUJÍA |
| 6 | 15611004920 | 1 | GROMMET | ANILLO DE GOMA |
| 7 | ----- | 1 | INSULATOR ⁽¹⁾ | AISLANTE ⁽¹⁾ |
| 8 | 15901019830 | 1 | SPARK PLUG -- BPM-8Y ⁽²⁾ | BUJÍA -- BPM-8Y ⁽²⁾ |
| 8 | A425000000 | 1 | SPARK PLUG -- BPMR-8Y ⁽²⁾ | BUJÍA -- BPMR-8Y ⁽²⁾ |
| 9 | V485000820 | 1 | LEAD - IGNITION | CABLE - IGNICIÓN |
| 10 | 15211505530 | 1 | GROMMET | ANILLO DE GOMA |
| 11 | E101000071 | 1 | HUB, FAN | CUBO, VENTILADOR |
| 12 | A409000210 | 1 | FLYWHEEL | VOLANTE |
| 13 | 90010605008 | 2 | SCREW - 5X8 | TORNILLO - 5X8 |
| 14 | A160000821 | 1 | SHIELD, CYLINDER | PROTECTOR, CILINDRO |
| 15 | 90107 | | RePower TUNE-UP KIT | KIT DE PUESTA A PUNTO |
| 15 | 90107C | | RePower TUNE-UP KIT ⁽³⁾ | KIT DE PUESTA A PUNTO ⁽³⁾ |

(FOOTNOTE) 1 - No Longer Required
2 - Included In RePower KIT
3 - CANADA MODELS

(NOTA DEL PIE) 1 - Requerido no más
2 - Incluido en KIT de la RePower
3 - MODELOS DE CANADÁ

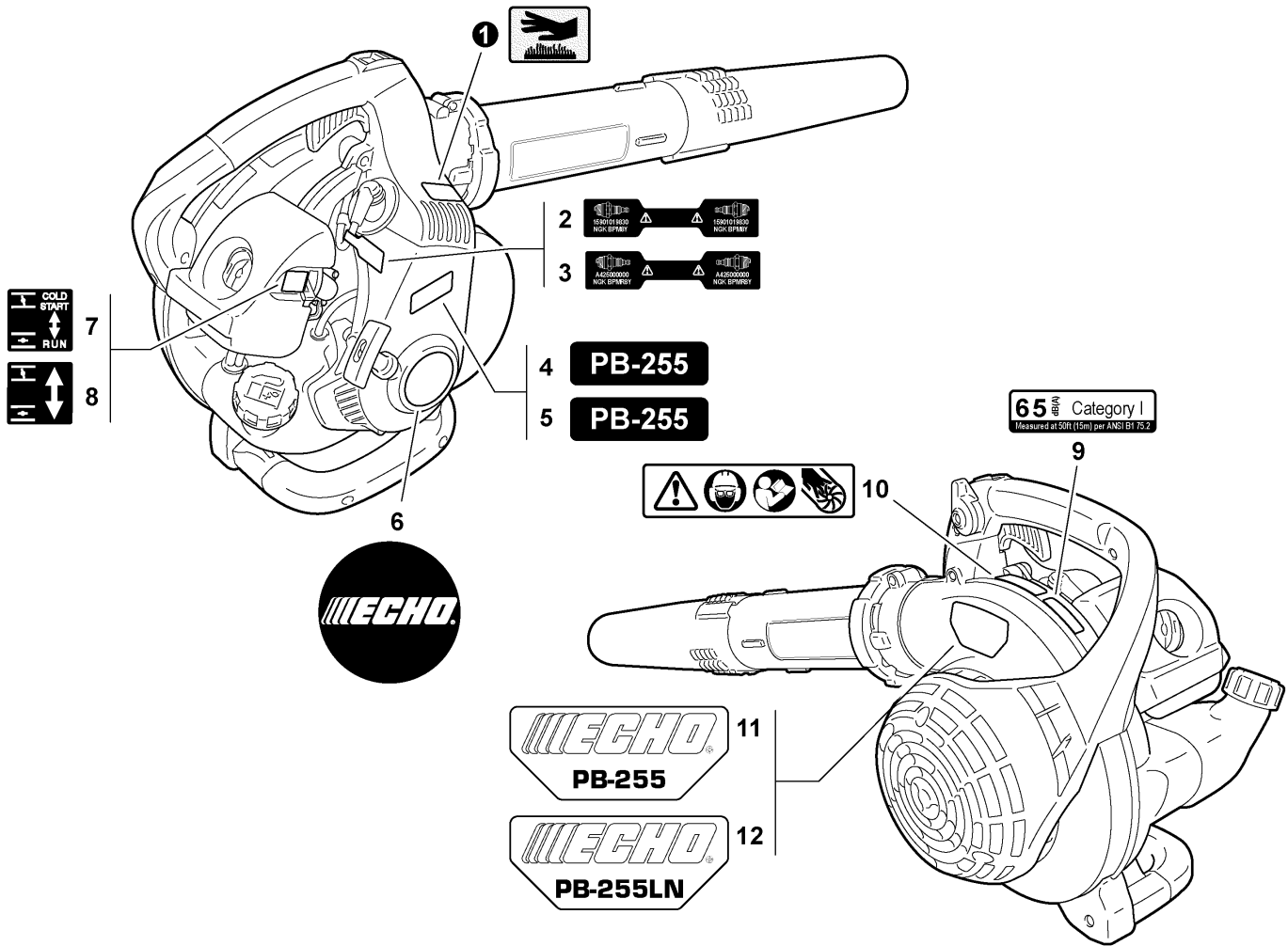


SB1092 0000 000

| | | | | |
|----------|---------------|---|----------------------------------|----------------------------------|
| 1 | SB1092 | 1 | SHORT BLOCK -- SB1092 | BLOQUE CORTO -- SB1092 |
| 2 | + 90016205025 | 4 | SCREW - 5X25 | TORNILLO - 5X25 |
| 3 | + A130000780 | 1 | CYLINDER | CILINDRO |
| 4 | + V100000190 | 1 | GASKET, CYLINDER ⁽¹⁾ | JUNTA, CILINDRO ⁽¹⁾ |
| 5 | + P021010260 | 1 | PISTON KIT | KIT DE PISTÓN |
| 6 | + A101000140 | 1 | RING, PISTON | ANILLO, PISTÓN |
| 7 | + V606000000 | 1 | PIN, PISTON | PASADOR, PISTÓN |
| 8 | + 10001504630 | 2 | RING, RETAINING | ANILLO, RETÉN |
| 9 | + 10001411520 | 2 | SPACER, PISTON | ESPACIADOR, PISTÓN |
| 10 | + V553000010 | 1 | BEARING, NEEDLE - 8 | COJINETE, DE AGUJAS - 8 |
| 11 | + A011000371 | 1 | CRANKSHAFT ASY | CONJUNTO DE CIGÜEÑAL |
| 12 | + P021008231 | 1 | CRANKCASE KIT | KIT DE CÁRTER |
| 13 | + 10021242031 | 2 | SEAL, OIL | SELLO, ACEITE |
| 14 | + 9403536201 | 2 | BEARING, BALL - 6201 | COJINETE DE BOLAS - 6201 |
| 15 | + 10024242030 | 1 | GASKET, CRANKCASE ⁽¹⁾ | JUNTA, CÁRTER ⁽¹⁾ |
| 16 | + 90033040080 | 2 | PIN, DOWEL | AGUJA - 4X8 |
| 17 | + 90016205028 | 3 | SCREW - 5X28 | TORNILLO - 5X28 |
| 18 | + ----- | 1 | GASKET, INTAKE ⁽¹⁾ | JUNTA, ADMISIÓN ⁽¹⁾ |
| 19 | + ----- | 1 | GASKET, INTAKE ⁽¹⁾ | JUNTA, ADMISIÓN ⁽¹⁾ |
| 20 | + ----- | 1 | GASKET, INTAKE ⁽¹⁾ | JUNTA, ADMISIÓN ⁽¹⁾ |
| 21 | + ----- | 1 | SHIELD, EXHAUST ⁽¹⁾ | PROTECTOR, ESCAPE ⁽¹⁾ |

(FOOTNOTE) 1 - Included In GASKET KIT

(NOTA DEL PIE) 1 - Includo en KIT de la JUNTA



100 0016 00B

| | | | | |
|----|------------|---|-------------------------------|-----------------------------------|
| 1 | X505002310 | 1 | LABEL - CAUTION -- HOT | ETIQUETA - PRECAUCIÓN -- CALIENTE |
| 2 | X532000671 | 1 | LABEL - SPARK PLUG -- BPM-8Y | ETIQUETA - BUJÍA -- BPM-8Y |
| 3 | X532000720 | 1 | LABEL - SPARK PLUG -- BPMR-8Y | ETIQUETA - BUJÍA -- BPMR-8Y |
| 4 | X503008750 | 1 | LABEL - MODEL -- PB-255 | ETIQUETA - MODELO -- PB-255 |
| 5 | X503011550 | 1 | LABEL - MODEL -- PB-255LN | ETIQUETA - MODELO -- PB-255LN |
| 6 | X502000330 | 1 | LABEL - ECHO | ETIQUETA - ECHO |
| 7 | X506000080 | 1 | LABEL - CHOKE | ETIQUETA - AHOGADOR |
| 8 | X506000090 | 1 | LABEL - CHOKE | ETIQUETA - AHOGADOR |
| 9 | X508000120 | 1 | LABEL - NOISE | ETIQUETA - RUIDO |
| 10 | X505002080 | 1 | LABEL - CAUTION | ETIQUETA - PRECAUCIÓN |
| 11 | X547000840 | 1 | LABEL - MODEL -- PB-255 | ETIQUETA - MODELO -- PB-255 |
| 12 | X547002240 | 1 | LABEL - MODEL -- PB-255LN | ETIQUETA - MODELO -- PB-255LN |



Soplador de Mano

Gasket Kit -- P021012350
Kit de juntas -- P021012350

| Use Gasket Kit | Contains: | Service Number | Description |
|----------------|-----------|----------------|-------------------|
| P021012350 | | 10024242030 | GASKET, CRANKCASE |
| | | 13001642031 | GASKET, INTAKE |
| | | V100000190 | GASKET, CYLINDER |
| | | V103000390 | GASKET, INTAKE |
| | | V103000400 | GASKET, INTAKE |
| | | V104000820 | SHIELD, MUFFLER |
| | | V104000830 | GASKET, EXHAUST |

300 0013 000

| | | | | |
|----------|-------------------|----------|-------------------|----------------------|
| 1 | P021012350 | 1 | GASKET KIT | KIT DE JUNTAS |
|----------|-------------------|----------|-------------------|----------------------|

90010 RePower CAP AND VENT KIT

| contains: | qty: |
|-----------------|------|
| --- CAP | 1 |
| --- GASKET, CAP | 1 |
| --- VENT ASY | 1 |

90010 KIT del CASQUILLO Y del RESPIRADERO de la RePower

| Incluye: | cant: |
|-----------------------------|-------|
| --- TAPA | 1 |
| --- JUNTA, TAPA | 1 |
| --- CONJUNTO DE RESPIRADERO | 1 |

90010 KIT de CAP ET d'ÉVENT de pouvoir de RePower

| Inclut: | qte: |
|---------------------|------|
| --- CAPUCHON | 1 |
| --- JOINT, CAPUCHON | 1 |
| --- ASS. ÉVENT | 1 |

90010 JOGO do TAMPÃO E do RESPIRADOURO do RePower

| Inclui: | quant: |
|------------------------|--------|
| --- TAMPA | 1 |
| --- VEDAÇÃO, TAMPA | 1 |
| --- CJTO DO VENTILADOR | 1 |

90010



90010

1 RePower CAP/VENT KIT

KIT REPOWER DE TAPA Y RESPIRADERO

90107 RePower TUNE-UP KIT

| contains: | qty: |
|--------------------------------|------|
| --- FILTER, AIR - DOUBLE LAYER | 1 |
| --- FILTER, FUEL | 1 |
| --- SPARK PLUG -- BPM-8Y | 1 |

90107 KIT del AJUSTE de la RePower

| Incluye: | cant: |
|---------------------------------|-------|
| --- FILTRO DE AIRE - CAPA DOBLE | 1 |
| --- FILTRO DE COMBUSTIBLE | 1 |
| --- BUJÍA -- BPM-8Y | 1 |

90107 KIT de MISE AU POINT de pouvoir de RePower

| Inclut: | qte: |
|---------------------------------|------|
| --- FILTRE, AIR - COUCHE DOUBLE | 1 |
| --- FILTRE, ESSENCE | 1 |
| --- BOUGIE D'ALLUMAGE -- BPM-8Y | 1 |

90107 JOGO do AJUSTE do RePower

| Inclui: | quant: |
|-------------------------------|--------|
| --- FILTRO, AR - CAMADA DUPLA | 1 |
| --- FILTRO, COMBUSTÍVEL | 1 |
| --- VELA DE IGNIÇÃO -- BPM-8Y | 1 |

CANADA MODELS**90107C RePower TUNE-UP KIT**

| contains: | qty: |
|--------------------------------|------|
| --- FILTER, AIR - DOUBLE LAYER | 1 |
| --- FILTER, FUEL | 1 |
| --- SPARK PLUG -- BPMR-8Y | 1 |

90107C KIT del AJUSTE de la RePower

| Incluye: | cant: |
|---------------------------------|-------|
| --- FILTRO DE AIRE - CAPA DOBLE | 1 |
| --- FILTRO DE COMBUSTIBLE | 1 |
| --- BUJÍA -- BPMR-8Y | 1 |

90107C KIT de MISE AU POINT de pouvoir de RePower

| Inclut: | qte: |
|----------------------------------|------|
| --- FILTRE, AIR - COUCHE DOUBLE | 1 |
| --- FILTRE, ESSENCE | 1 |
| --- BOUGIE D'ALLUMAGE -- BPMR-8Y | 1 |

90107C JOGO do AJUSTE do RePower

| Inclui: | quant: |
|--------------------------------|--------|
| --- FILTRO, AR - CAMADA DOPLA | 1 |
| --- FILTRO, COMBUSTÍVEL | 1 |
| --- VELA DE IGNIÇÃO -- BPMR-8Y | 1 |

90107



90107

1 TUNE-UP KIT

KIT DE PUESTA A PUNTO

90115 RePower FUEL SYSTEM KIT

| contains: | qty: |
|-----------------------------|------|
| --- CLIP - 6 | 2 |
| --- FILTER, FUEL | 1 |
| --- GROMMET | 1 |
| --- GROMMET | 1 |
| --- PIPE - 3X5X50 -- BLACK | 1 |
| --- PIPE - 3X5X175 -- BLACK | 1 |
| --- PIPE - 3X6X85 -- CLEAR | 1 |
| --- VENT ASY | 1 |

90115 KIT de d'INSTALLATION CARBURANT de RePower

| Inclut: | qte: |
|-----------------------------|------|
| --- ANNEAU - 6 | 2 |
| --- FILTRE, ESSENCE | 1 |
| --- OEILLET | 1 |
| --- OEILLET | 1 |
| --- TUYAU - 3X5X50 -- NOIR | 1 |
| --- TUYAU - 3X5X175 -- NOIR | 1 |
| --- TUYAU - 3X6X85 -- CLAIR | 1 |
| --- ASS. ÉVENT | 1 |

90115 KIT del SISTEMA de CARBURANTE de la RePower

| Incluye: | cant: |
|-----------------------------------|-------|
| --- GANCHO - 6 | 2 |
| --- FILTRO DE COMBUSTIBLE | 1 |
| --- ANILLO DE GOMA | 1 |
| --- ANILLO DE GOMA | 1 |
| --- TUBO - 3X5X50 -- NEGRO | 1 |
| --- TUBO - 3X5X175 -- NEGRO | 1 |
| --- TUBO - 3X6X85 -- TRANSPARENTE | 1 |
| --- CONJUNTO DE RESPIRADERO | 1 |

90115 JOGO do SISTEMA de COMBUSTÍVEL do RePower

| Inclui: | quant: |
|-----------------------------------|--------|
| --- PRESILHA - 6 | 2 |
| --- FILTRO, COMBUSTÍVEL | 1 |
| --- OLHAL | 1 |
| --- OLHAL | 1 |
| --- TUBO - 3X5X50 -- PRETO | 1 |
| --- TUBO - 3X5X175 -- PRETO | 1 |
| --- TUBO - 3X6X85 -- TRANSPARENTE | 1 |
| --- CJTO DO VENTILADOR | 1 |

90115



90115

1 RePower FUEL SYSTEM KIT

KIT DEL SISTEMA DE CARBURANTE

90130 RePower FUEL SYSTEM KIT

| contains: | qty: |
|----------------------------|------|
| --- CLIP - 6 | 3 |
| --- CONNECTOR, FUEL PIPE | 1 |
| --- FILTER, FUEL | 1 |
| --- GASKET, FUEL CAP | 1 |
| --- GROMMET | 2 |
| --- PIPE - 3X5X50 -- BLACK | 1 |
| --- PIPE - 3X5X87 -- BLACK | 1 |
| --- PIPE - 3X5X90 -- BLACK | 1 |
| --- PIPE - 3X6X85 -- CLEAR | 1 |
| --- VENT ASY | 1 |

90130 KIT de d'INSTALLATION CARBURANT de RePower

| Inclut: | qte: |
|-----------------------------|------|
| --- ANNEAU - 6 | 3 |
| --- CONNECTEUR, TUYAU | 1 |
| --- FILTRE, ESSENCE | 1 |
| --- JOINT, CAPUCHON | 1 |
| --- OEUillet | 2 |
| --- TUYAU - 3X5X50 -- NOIR | 1 |
| --- TUYAU - 3X5X87 -- NOIR | 1 |
| --- TUYAU - 3X5X90 -- NOIR | 1 |
| --- TUYAU - 3X6X85 -- CLAIR | 1 |
| --- ASS. ÉVENT | 1 |

90130 KIT del SISTEMA de CARBURANTE de la RePower

| Incluye: | cant: |
|-----------------------------------|-------|
| --- GANCHO - 6 | 3 |
| --- CONECTOR, TUBO | 1 |
| --- FILTRO DE COMBUSTIBLE | 1 |
| --- JUNTA, TAPA | 1 |
| --- ANILLO DE GOMA | 2 |
| --- TUBO - 3X5X50 -- NEGRO | 1 |
| --- TUBO - 3X5X87 -- NEGRO | 1 |
| --- TUBO - 3X5X90 -- NEGRO | 1 |
| --- TUBO - 3X6X85 -- TRANSPARENTE | 1 |
| --- CONJUNTO DE RESPIRADERO | 1 |

90130 JOGO do SISTEMA de COMBUSTÍVEL do RePower

| Inclui: | quant: |
|-----------------------------------|--------|
| --- PRESILHA - 6 | 3 |
| --- CONECTOR, TUBO | 1 |
| --- FILTRO, COMBUSTÍVEL | 1 |
| --- VEDAÇÃO, TAMPA | 1 |
| --- OLHAL | 2 |
| --- TUBO - 3X5X50 -- PRETO | 1 |
| --- TUBO - 3X5X87 -- PRETO | 1 |
| --- TUBO - 3X5X90 -- PRETO | 1 |
| --- TUBO - 3X6X85 -- TRANSPARENTE | 1 |
| --- CJTO DO VENTILADOR | 1 |

90130



90115

1

RePower FUEL SYSTEM KIT

KIT DEL SISTEMA DE CARBURANTE

PART NUMBER INDEX - ÍNDICE DEL NÚMERO DE PARTE

*Click The Page Number After Any Part Number To View The Diagram Containing That Part
Chasque la página después de cualquier número de parte para ver el diagrama que contiene esa parte*

| Part Number | Page | Part Number | Page | Part Number | Page |
|-------------|-------------------|-------------|--------|-------------|----------|
| ----- | 7, 9, 15, 16 | A226000350 | 7 | V100000190 | 16 |
| 10001411520 | 16 | A226000471 | 7 | V103000390 | 7 |
| 10001504630 | 16 | A232000340 | 7 | V103000400 | 7 |
| 10014319830 | 14 | A244000070 | 7 | V104000820 | 10 |
| 10021242031 | 16 | A300000810 | 10 | V104000940 | 10 |
| 10024242030 | 16 | A310000070 | 10 | V107000150 | 13 |
| 12533942030 | 9 | A313000840 | 10 | V186000520 | 13 |
| 12534252130 | 9 | A313000850 | 10 | V203000190 | 10 |
| 12534413931 | 9 | A313001070 | 10 | V263000070 | 5, 6, 11 |
| 12534452130 | 9 | A320000410 | 10 | V299000250 | 7 |
| 12538108660 | 9 | A350000760 | 12, 13 | V376000900 | 6 |
| 13001642031 | 7 | A356000030 | 12, 13 | V420001430 | 12, 13 |
| 13100455530 | 12, 13 | A409000210 | 15 | V420001440 | 5, 6 |
| 13101655830 | 12 | A411000290 | 15 | V431000000 | 11 |
| 13105156030 | 12, 13 | A425000000 | 15 | V471001210 | 13 |
| 13120507320 | 12, 13 | A426000010 | 15 | V471001220 | 12, 13 |
| 13191103460 | 7 | A427000013 | 15 | V471001860 | 12 |
| 13201049730 | 12, 13 | A429000010 | 15 | V471003600 | 13 |
| 13201309820 | 12 | A440001010 | 11 | V485000370 | 11 |
| 13211501461 | 12, 13 | A444000020 | 11 | V485000820 | 15 |
| 13211544330 | 12, 13 | C400000490 | 11 | V486000110 | 11 |
| 15211505530 | 15 | C410000391 | 14 | V486000120 | 11 |
| 15611004920 | 15 | C410000400 | 14 | V490001240 | 13 |
| 15901019830 | 15 | C411000021 | 11 | V553000010 | 16 |
| 17721544430 | 6 | C412000150 | 11 | V606000000 | 16 |
| 17722042030 | 5, 6 | C450000241 | 11 | X502000330 | 17 |
| 17722742030 | 5, 6 | C453000260 | 11 | X503008750 | 17 |
| 17722827030 | 5, 6 | C454000130 | 11 | X503011550 | 17 |
| 17723412220 | 5, 6 | C459000010 | 11 | X505002080 | 17 |
| 17723644330 | 6 | E100000070 | 14 | X505002310 | 17 |
| 17723661830 | 5 | E101000071 | 15 | X506000080 | 17 |
| 17724611120 | 5, 6 | E103000451 | 14 | X506000090 | 17 |
| 90010 | 12, 19 | E103000461 | 14 | X508000120 | 17 |
| 90010008014 | 14 | E104000080 | 14 | X532000671 | 17 |
| 90010505060 | 7 | E162000000 | 14 | X532000720 | 17 |
| 90010605008 | 15 | E165000170 | 3 | X547000840 | 17 |
| 90010605014 | 5, 6, 10 | E165000180 | 3, 4 | X547002240 | 17 |
| 90016204020 | 14 | E165000190 | 3, 4 | | |
| 90016205025 | 7, 16 | P005000100 | 9 | | |
| 90016205028 | 16 | P005000120 | 9 | | |
| 90016304016 | 5, 6 | P005000190 | 9 | | |
| 90023805025 | 11 | P005000250 | 9 | | |
| 90025304010 | 11 | P005000270 | 9 | | |
| 90025305020 | 11, 12, 13, 14 | P005000280 | 9 | | |
| 90025305025 | 11 | P005001000 | 9 | | |
| 90033040080 | 16 | P005001250 | 9 | | |
| 90056250005 | 11 | P005001260 | 9 | | |
| 90060200005 | 11 | P005001270 | 9 | | |
| 90060300005 | 10, 11, 12, 13 | P005001660 | 9 | | |
| 90070000004 | 6 | P005001670 | 9 | | |
| 90107 | 7, 12, 13, 15, 20 | P005001890 | 9 | | |
| 90107C | 7, 12, 13, 15 | P005001900 | 9 | | |
| 90115 | 12, 21, 22 | P005002000 | 9 | | |
| 90130 | 13 | P005002030 | 9 | | |
| 9111304020 | 15 | P005002090 | 9 | | |
| 9136704010 | 10 | P021008231 | 16 | | |
| 9154503010 | 11 | P021010260 | 16 | | |
| 9403536201 | 16 | P021010980 | 7 | | |
| A011000371 | 16 | P021012350 | 18 | | |
| A021001591 | 9 | P021013780 | 5 | | |
| A051001060 | 6 | P021016930 | 10 | | |
| A051001180 | 5 | P022002100 | 5 | | |
| A052000200 | 5, 6 | P022006830 | 5 | | |
| A101000140 | 16 | P022006850 | 5, 6 | | |
| A130000780 | 16 | P022008260 | 5, 6 | | |
| A160000821 | 15 | P022008270 | 5 | | |
| A160000830 | 11 | P022008280 | 5 | | |
| A200000280 | 7 | SB1092 | 16 | | |