

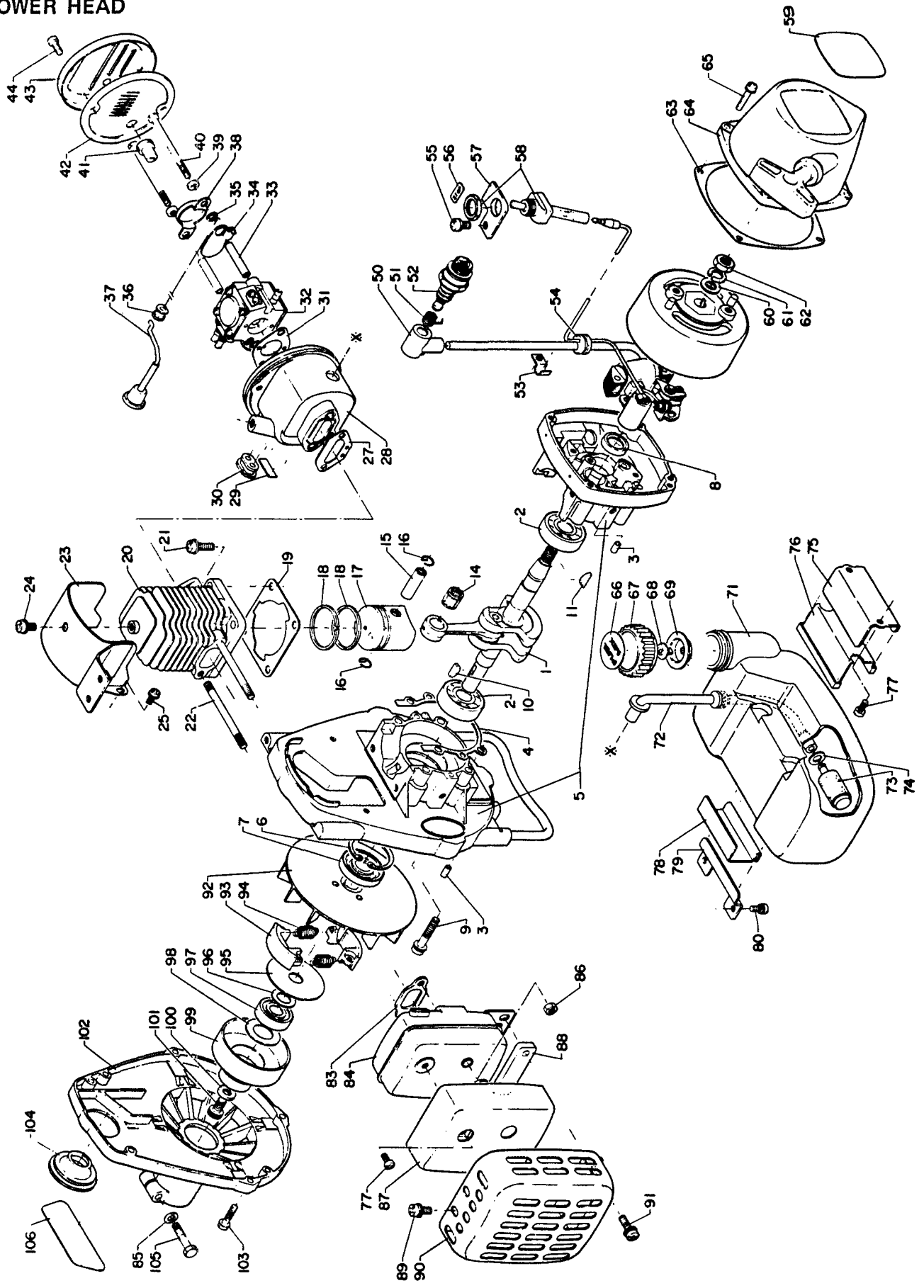
# **ECHO**

**WEED AND GRASS  
TRIMMER**

**PARTS CATALOGUE  
SRM-200D**

# Model SRM-200D

## (1) POWER HEAD



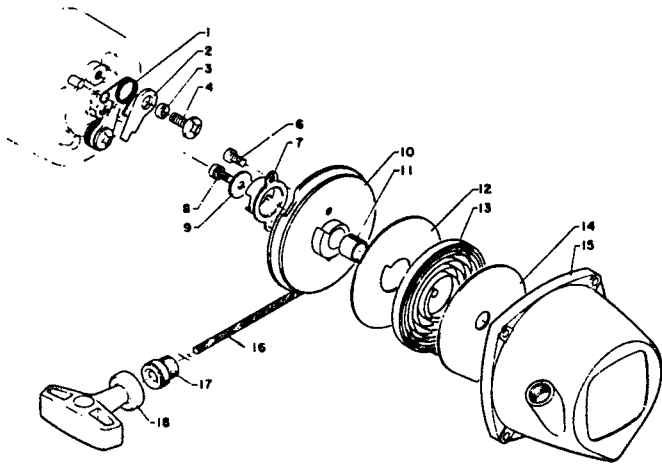
Key No.	Part No.	Q'ty	Description	Key No.	Part No.	Q'ty	Description
1- 1	100 100-0533 1	1	Crankshaft ass'y	1- 57	163 810-0613 0	1	Bracket, switch
2	900 810-3620 1	2	Ball bearing 6201	58	163 400-0613 0	1	Switch
3	100 215-0393 0	4	Knock pin	59	890 012-0060 1	1	Decal, ECHO
4	100 242-0463 0	1	Gasket, crankcase	60	100 143 0463 0	1	Washer
5	100 200-0613 0	1	Crankcase set	61	900 605-0000 8	1	Spring washer 8
6	900 702-0003 2	1	Circlip 32	62	900 502-0000 8	1	Nut 8
7	100 212-0393 0	1	Oil seal	63	100 615-0463 0	1	Gasket, starter case
8	100 212-0463 0	1	Oil seal	64	177 200-0463 0	1	Recoil starter ass'y
9	900 242-0502 8	4	Screw 5 x 28 w/W, SW	65	900 240-0402 0	4	Screw, 4 x 20 w/W
10	610 325-0273 0	1	Woodruff key	66	890 154-0393 0	1	Decal, fuel mix
11	100 142-0031 0	1	Woodruff key	*	131 004-0493 1	1	Cap ass'y, fuel tank
14	175 012-0393 0	1	Needle bearing	67	-131 017-0493 0	1	Cap, fuel tank
15	100 013-1021 0	1	Piston pin	68	-131 314-0033 0	1	Check valve
16	100 015-0463 0	2	Circlip, piston pin	69	-131 015-0493 1	1	Holder, check valve
17	100 010-0533 0	1	Piston	71	131 010-0523 0	1	Fuel tank
18	100 011-0533 0	2	Piston ring	72	132 010-0523 0	1	Fuel pipe
19	101 010-0463 0	1	Gasket, cylinder base	73	131 205-0083 0	1	Fuel strainer
20	101 011-0533 0	1	Cylinder	74	900 603-0000 5	1	Washer 5
21	900 240-0501 6	4	Screw 5 x 16 w/W	75	131 918-0463 0	1	Bracket, fuel tank
22	101 014-0493 0	2	Stud bolt	76	131 924-0533 0	1	Cushion, fuel tank
23	101 514-0523 0	1	Cylinder cover	77	900 220-0400 8	4	Screw 4 x 8
24	900 240-0501 0	1	Screw 5 x 10 w/W	78	131 920-0533 0	1	Cushion, fuel tank
25	900 240-0400 8	2	Screw 4 x 8 w/W	79	131 910-0533 0	1	Bracket, fuel tank
27	130 010-0533 0	1	Gasket	80	900 241-0400 8	2	Screw, 4 x 8 w/SW
28	130 306-0523 0	1	Carburetor case	83	145 510-0463 0	1	Gasket, muffler
29	890 041-0432 0	1	Decal, caution	84	145 610-0523 0	1	Muffler
30	129 010-0523 0	1	Grommet	85	900 600-0000 5	1	Washer 5
31	130 016-0463 0	1	Gasket, carburetor	86	433 020-0083 0	2	Lock nut 5
32	123 000-0523 0	1	Carburetor ass'y	87	145 667-0523 0	1	Insulator
33	130 019-0393 0	2	Spacer, carburetor	88	145 714-0523 0	1	Spacer
34	178 515-0463 0	1	Choke shutter	89	900 242-0501 0	2	Screw, 5 x 10 w/W,SW
35	178 516-0393 0	1	Spacer	90	145 621-0523 1	1	Muffler cover
36	178 810-0523 0	1	Rubber grommet, choke rod	91	900 242-0501 6	2	Screw 5 x 16 w/W,SW
37	178 510-0523 0	1	Choke rod	92	101 500-0463 0	1	Fan
38	129 011-0463 0	1	Plate	93	175 009-0513 0	2	Clutch shoe
39	130 029-0393 0	2	Spacer, carburetor	94	175 018-0513 0	2	Spring,clutch
40	130 021-0393 0	2	Bolt	95	175 019-0463 0	1	Side plate, clutch
41	129 015-0432 0	1	Grommet	96	175 015-0463 0	1	Spacer
42	130 310-0432 0	1	Air filter	97	900 808-0600 0	1	Ball bearing 6000
43	130 313-0432 0	1	Cover, air cleaner	98	175 044-0463 0	1	Spacer
44	900 220-0401 0	2	Screw 4 x 10	99	175 010-0463 2	1	Clutch drum
50	159 012-0162 0	1	Cap, spark plug	100	175 014-0463 0	1	Washer
51	159 011-0051 0	1	Coil spring, spark plug cap	101	900 105-0601 0	1	H.S.H. bolt 6 x 10
52	159 010-0033 0	1	Spark plug	102	101 511-0463 1	1	Fan cover
53	159 110-0463 0	1	Clamp	103	900 240-0401 8	5	Screw 4 x 18 w/W
54	151 112-0463 0	1	Rubber grommet, H.T. cord	104	159 015-0463 0	1	Boot, plug cap
55	900 241-0501 0	1	Screw 5 x 10 w/SW	105	900 100-0502 5	1	Bolt, 5 x 25
56	890 157-1113 0	1	Decal, stop	106	890 135-0683 0	1	Decal, name

Remarks

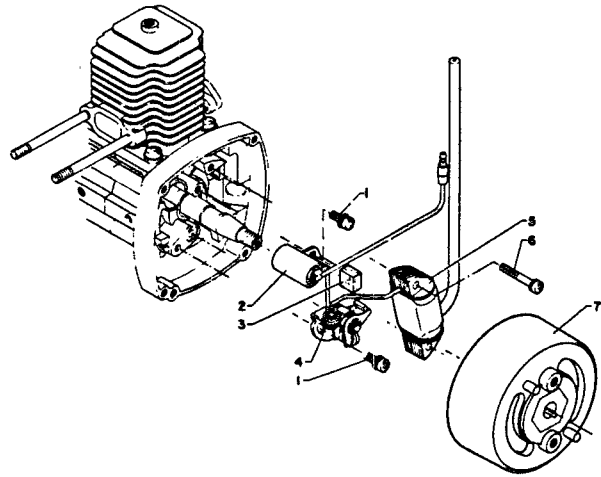
- Consisting 67 thru 69

Model SRM-200D

(2) RECOIL STARTER



(3) MAGNETO



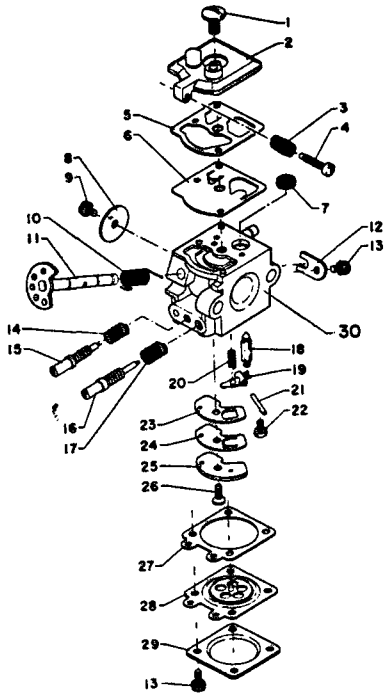
Key No.	Part No.	Q'ty	Description	Key No.	Part No.	Q'ty	Description
2- *	177 200-0463 0	1	Recoil starter ass'y	3- 1	900 242-0401 0	2	Screw 4x10 w/W, SW
6	-900 220-0400 8	2	Screw 4 x 8	2	156 127-0613 0	1	Condenser
7	-177 243-0463 0	1	Pawl catcher	3	156 134-0463 0	1	Oil pad
8	-900 241-0400 8	1	Screw, 4 x 8 w/SW	4	156 101-0463 0	1	Contact breaker point set
9	-177 214-0463 0	1	Washer	5	156 126-0463 0	1	Ignition coil
10	-177 215-0463 0	1	Recoil drum	6	900 241-0402 4	2	Screw 4 x 24 w/SW
11	-177 216-0463 0	1	Bush, recoil drum	7	156 200-0463 1	1	Flywheel
12	-177 242-0463 0	1	Side plate, inner				
13	-177 220-0393 0	1	Rewind spring				
14	-177 221-0463 0	1	Side plate, outer				
15	-177 209-0463 0	1	Starter case				
16	-177 226-0393 0	1	Starter rope				
17	-177 227-0533 0	1	Rope guide				
18	-177 228-1113 0	1	Starter handle				
1	177 234-0463 2	2	Spring, ratchet				
2	177 218-0393 0	2	Ratchet				
3	177 247-0463 0	2	Spacer, ratchet				
4	177 217-0463 0	2	Screw				

Remarks

\* Consisting of 6 thru 18

Model SRM-200D

(4) CARBURETOR (Type: WA)



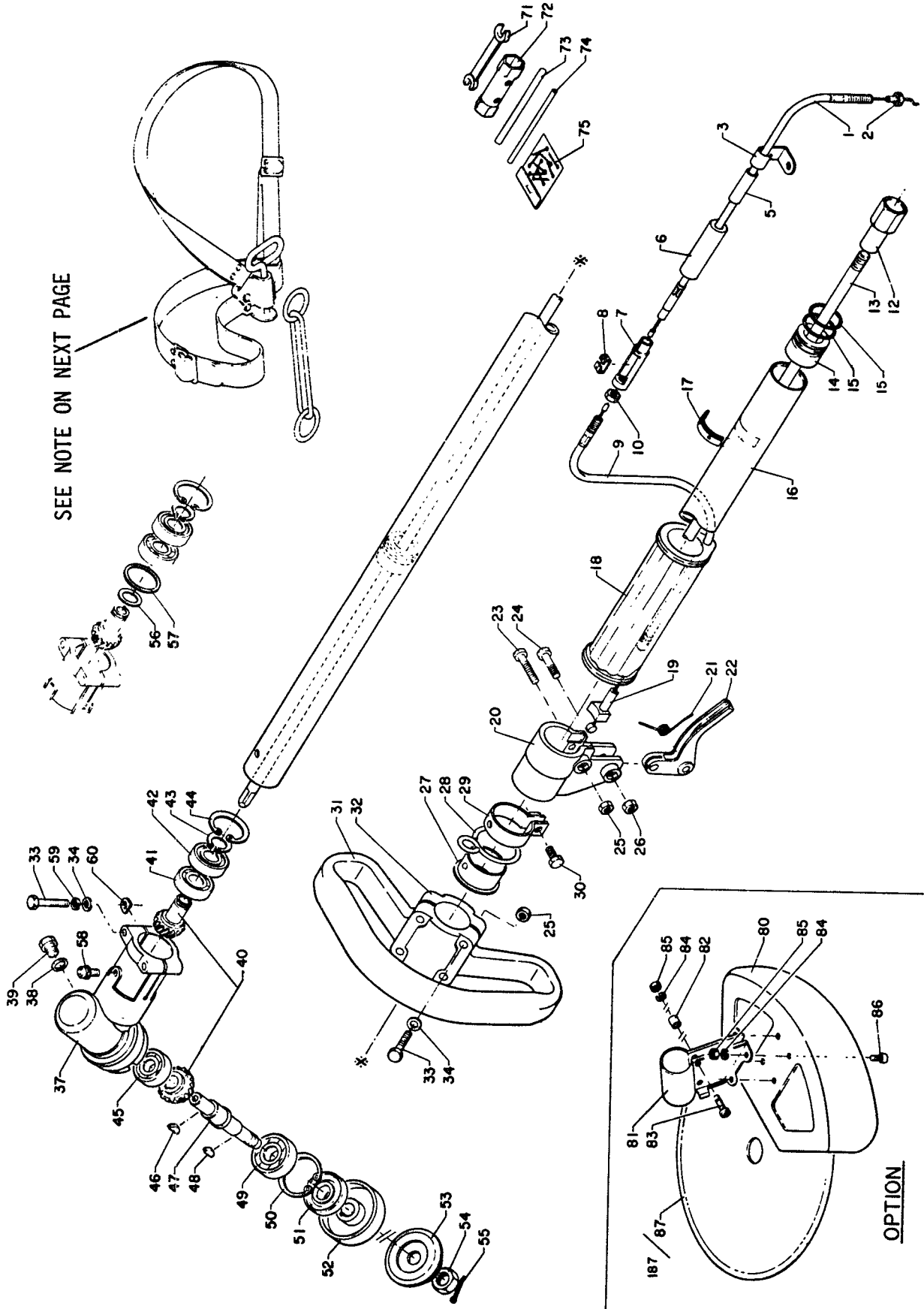
Key No.	Part No.	Q'ty	Description
<b>4- *</b>	<b>123 000-0523 0</b>	<b>1</b>	<b>Carburetor ass'y</b>
1	-123 110-0393 0	1	Screw, pump cover
2	-123 124-0393 0	1	Cover, fuel pump
3	-123 133-0393 0	1	Spring, idle screw
4	-123 134-0393 0	1	Screw, idle adjustment
<hr/>			
5	-123 125-0393 0	1	Gasket, fuel pump
6	-123 112-0393 0	1	Diaphragm, fuel pump
7	-123 126-0393 0	1	Screen, inlet
8	-123 116-0523 0	1	Valve, throttle
9	-123 114-0393 0	1	Screw, throttle valve
<hr/>			
10	-123 113-0393 0	1	Spring, throttle return
11	-123 117-0393 0	1	Shaft ass'y, throttle
12	-123 127-0393 0	1	Clip, throttle shaft
13	-123 144-0393 0	5	Screw
14	-123 121-0393 0	1	Spring, idle needle
<hr/>			
15	-123 118-0623 0	1	Needle, idle
16	-123 120-0523 0	1	Needle, high speed
17	-123 119-0393 0	1	Spring, H.S. needle
18	-123 137-0393 0	1	Valve, inlet needle
19	-123 123-0393 0	1	Lever, metering
<hr/>			
20	-123 122-0393 0	1	Spring, metering lever
21	-123 138-0393 0	1	Pin, metering lever
22	-123 139-0393 0	1	Screw, metering lever pin
23	-123 164-0393 0	1	Gasket, circuit plate
24	-123 165-0393 0	1	Diaphragm, circuit plate
<hr/>			
25	-123 166-0393 0	1	Plate, circuit
26	-123 167-0523 0	1	Screw, circuit plate
27	-123 140-0393 0	1	Gasket, metering diaphragm
28	-123 141-0393 0	1	Diaphragm, metering
29	-123 142-0393 0	1	Cover, metering diaphragm
<hr/>			
30	-NOT AVAILABLE	1	Body ass'y, carburetor

Remarks

\* Consisting of 1 thru 30

Model SRM-200D

(5) THROTTLE, DRIVING SHAFT, HANDLE, SHOULDER HARNESS AND CUTTER HEAD



Key No.	Part No.	Q'ty	Description	Key No.	Part No.	Q'ty	Description
5- 1	178 004-0683 0	1	Throttle cable	5- 55	-900 300-2002 2	1	Split pin 2 x 22
2	900 502-0000 6	1	Nut 6	56	-610 316-0413 0	1	Washer
3	178 121-0533 0	1	Clamp	57	-610 317-0533 0	1	Washer
5	178 016-0533 0	1	Sleeve, throttle cable	58	-900 242-0501 0	1	Screw 5 x 10 w/W, SW
6	178 128-0563 0	1	Sleeve, joint retainer	59	-900 605-0000 5	2	Spring washer 5
7	178 114-0563 0	1	Retainer, joint	60	-610 239-0413 0	2	Spacer
8	178 049-0663 0	1	Joint	71	895 112-0033 0	1	Spanner 8 x 10
9	178 002-0563 0	1	Throttle cable	72	895 419-0533 0	1	Box wrench 17 x 19
10	178 021-0553 0	1	Nut	73	895-412-0023 0	1	Handle rod
12	610 012-0463 0	1	Coupler	74	897 518-0113 1	1	Looking rod
13	610 011-0463 0	1	Shaft, driving	75	898 502-0113 0	1	Split pin (2 x 22 w/pouch)
16	610 206-0463 0	1	Housing, driving shaft	**	<b>699 000-0533 1</b>	<b>1</b>	<b>Safety guard ass'y</b>
14	-610 105-0413 0	5	Bush	*80	-699 010-0533 0	1	Safety guard
15	-900 720-0002 2	10	O-ring 22	*81	-699 011-0533 1	1	Bracket, safety guard
17	890 152-0493 0	1	Decal, caution	*82	-699 012-0333 0	2	Spacer, safety guard
18	351 012-0563 0	1	Grip	*83	-900 220-0501 8	2	Screw 5 x 18
19	178 048-0663 0	1	Spacer	*84	-900 605-0000 5	6	Spring washer 5
20	178 024-0683 0	1	Bracket, throttle trigger	*85	-900 500-0000 5	6	Nut 5
21	178 043-0693 0	1	Spring, throttle return	*86	-900 220-0500 8	4	Screw 5 x 8
22	178 010-0563 0	1	Throttle trigger	*87	696 001-0113 0	1	8 cutter blade, 10 in
23	900 240-0502 8	1	Screw 5 x 28 w/W	*187	695 001-0123 0	1	Circular saw, 10 in
24	178 110-0533 0	1	Screw				
25	900 500-0000 5	1	Nut 5				
26	433 020-0083 0	1	Lock nut 5				
27	301 210-0563 0	1	Collar				
28	301 211-0563 0	1	Swivel hook				
29	301 207-0563 0	1	Clamp				
30	900 100-0501 0	1	Bolt 5 x 10				
***	<b>351 201-0693 0</b>	<b>1</b>	<b>Loop handle ass'y</b>				
25	-900 500-0000 5	4	Nut 5				
31	-351 214-0693 0	1	Loop handle				
32	-351 225-0693 0	1	Bracket, loop handle				
33	-900 100-0503 0	4	Bolt 5 x 30				
34	-900 600-0000 5	4	Washer 5				
*	<b>610 400-0533 2</b>	<b>1</b>	<b>Gear housing ass'y</b>				
33	-900 100-0503 0	2	Bolt, 5 x 30				
34	-900 600-0000 5	2	Washer, 5				
37	-610 410-0533 2	1	Housing, gear				
38	-610 511-0533 0	1	Gasket				
39	-900 100-0800 6	1	Bolt 8 x 6				
40	-610 300-0533 1	1	Gear set				
41	-900 800-0600 1	1	Ball bearing 6001				
42	-900 801-0600 1	1	Ball bearing 6001				
43	-900 701-0001 2	1	Circlip 12				
44	-900 702-0002 8	1	Circlip 28				
45	-900 800-3600 0	1	Ball bearing 6000				
46	-100 131-0162 0	1	Woodruff key				
47	-610 310-0533 0	1	Shaft, PTO				
48	-610 325-0273 0	1	Woodruff key				
49	-900 810-0620 1	1	Ball bearing 6201				
50	-900 702-0003 2	1	Circlip 32				
51	-610 413-0533 0	1	Oil seal				
52	-610 313-0413 0	1	Plate, blade fixing				
53	-610 314-0413 1	1	Plate, blade fixing				
54	-900 511-0001 0	1	Nut, 10-LH				

Remarks  
\* Consisting of 33, 34 and 37 thru 60  
\*\* Consisting of 80 thru 86  
\*\*\* Consisting of 25 and 31 thru 34  
\*: Option

NOTE: Strap - 301000 2433-0  
Hook - 301305 2433-0