



PARTS CATALOG
HC-150i Hedge
Trimmer

21.2cc

SERIAL NUMBERS

S/N: 09001001 - 09999999

ECHO, INCORPORATED

400 Oakwood Road Lake Zurich, Illinois 60047 USA

WWW.ECHO-USA.COM



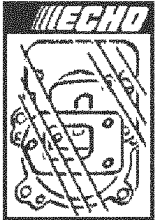
Table of Contents

Click Any Diagram Description Below To View That Diagram.

HC-150i S/N: 09001001 - 09999999

Intake.....	4
Carburetor -- RB-K75.....	6
Exhaust.....	8
i-starter.....	10
Fuel System.....	12
Engine, Short Block, Ignition, Clutch, Cylinder Cover.....	14
Cutters, Gear Case, Tools.....	16
Handle, Ignition Switch, Throttle Cable.....	18
Part Number Index.....	20
Part Description Index.....	21

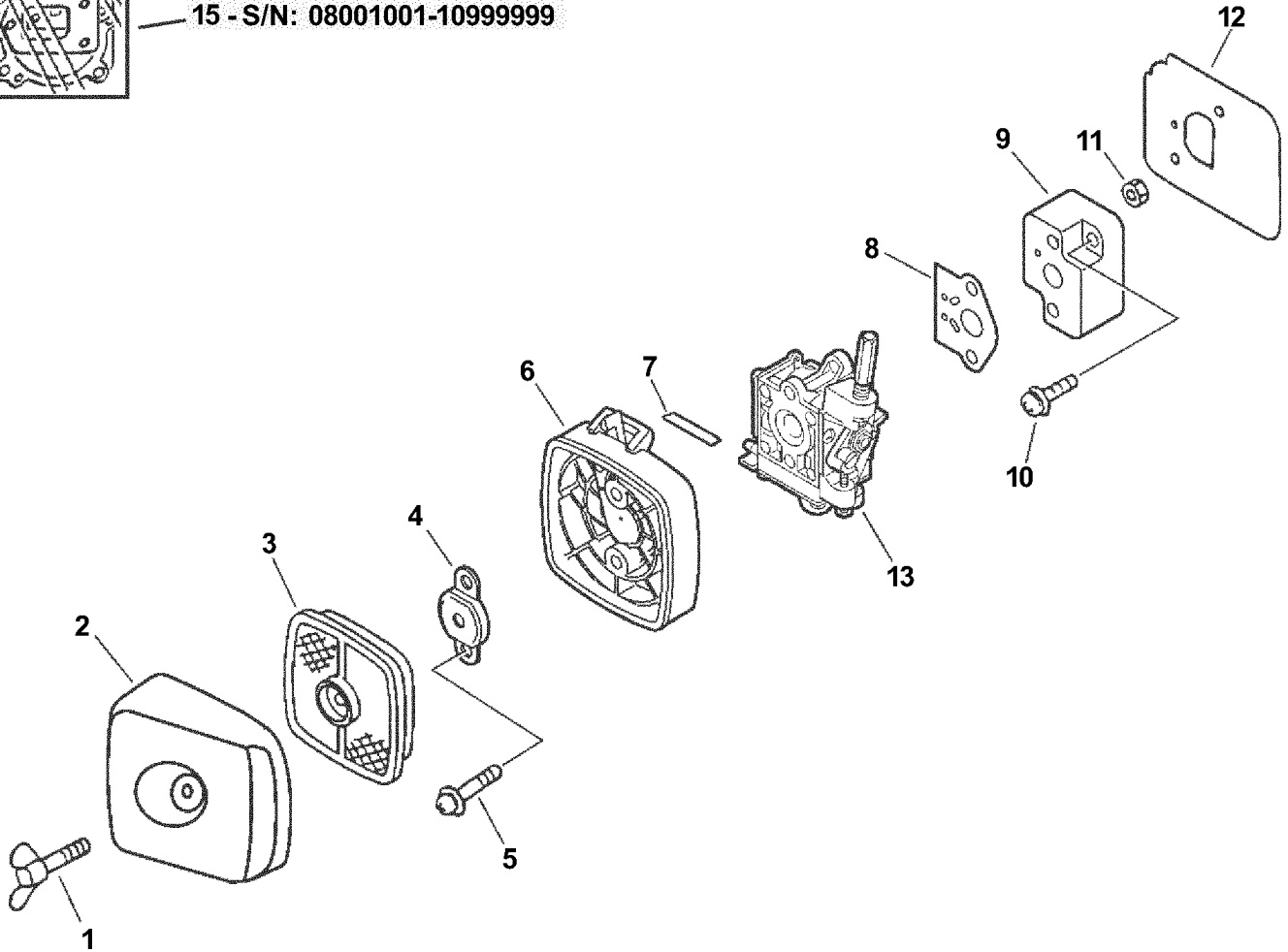
This Page Intentionally Left Blank



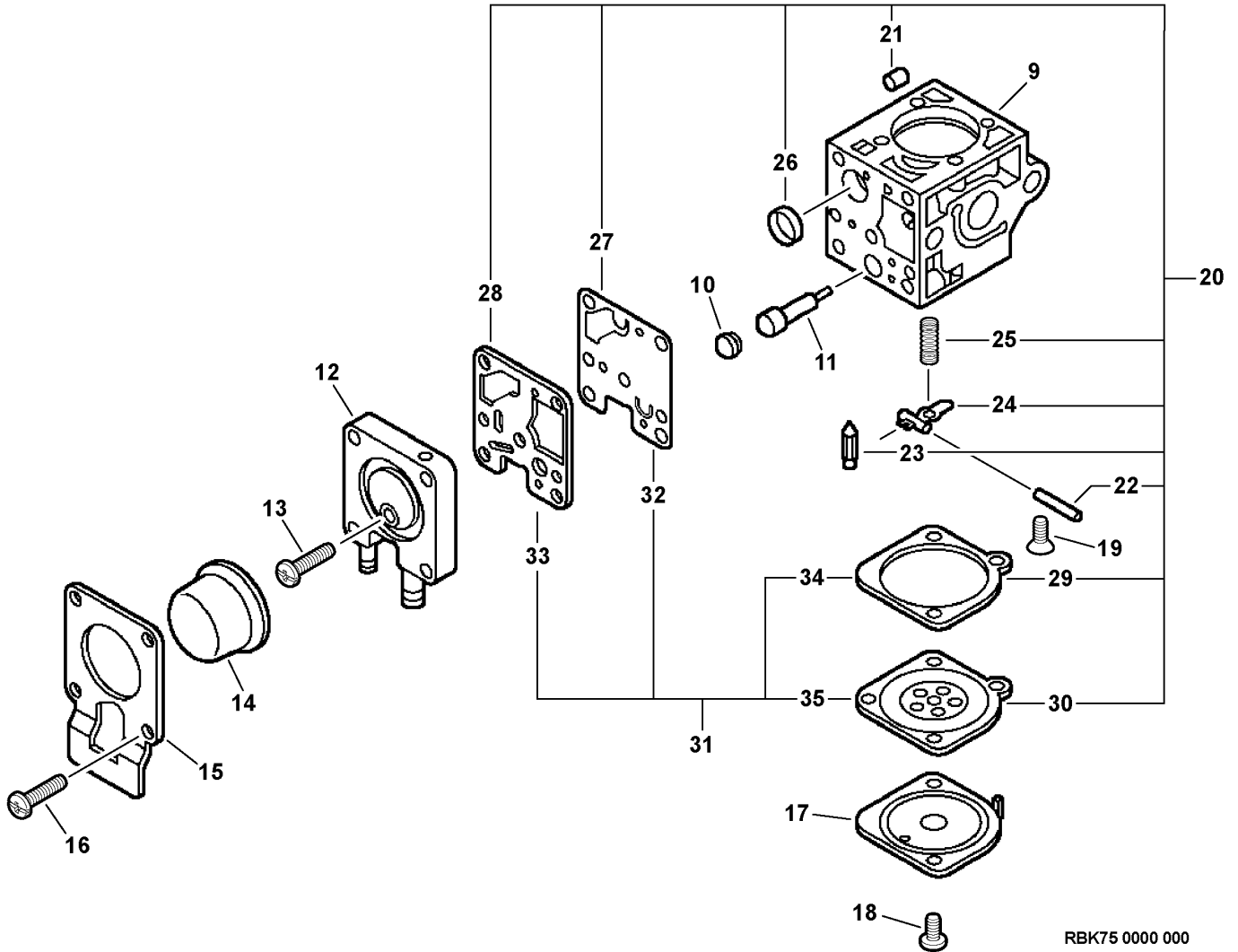
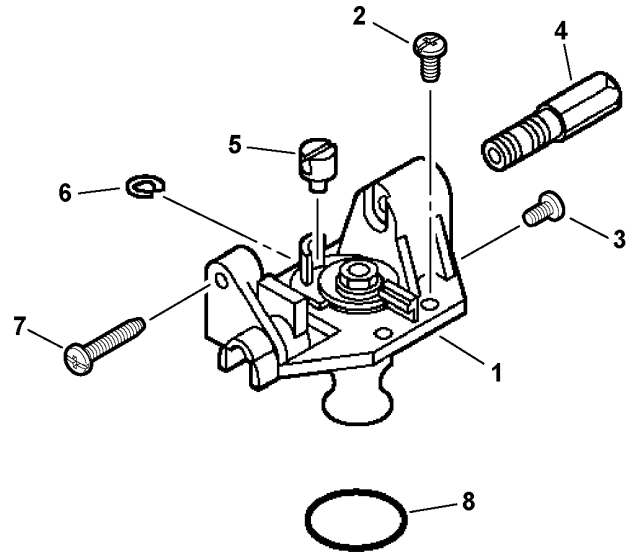
GASKET KIT

14 - S/N: 05001001-07999999

15 - S/N: 08001001-10999999

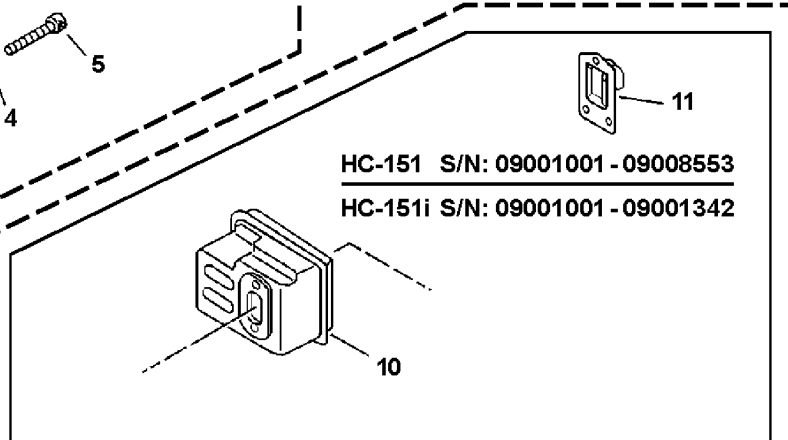
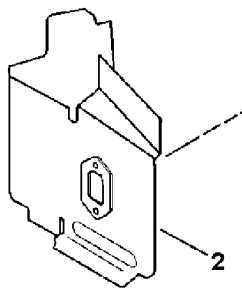
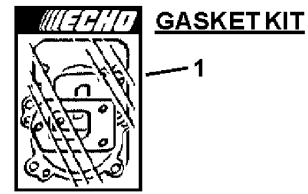
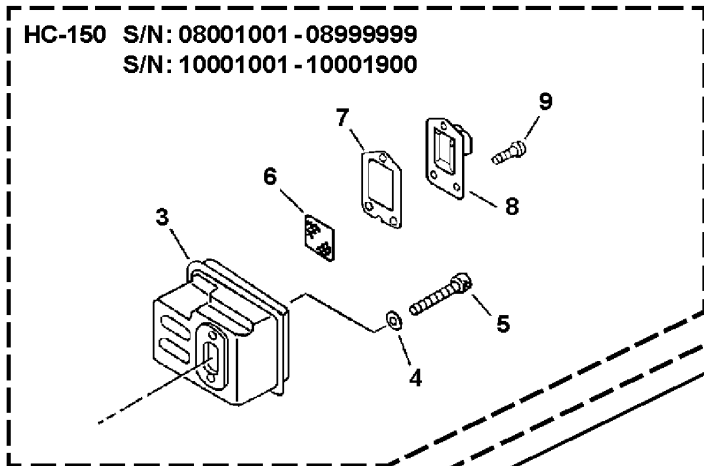


ITEM	PART NUMBER	QTY	DESCRIPTION	REMARKS
1	21041752730	1	BOLT, WING	
2	13031306563	1	LID, AIR CLEANER - GRAY	
3	13031054130	1	FILTER, AIR	
4	12901152730	1	PLATE, PREVENT	
5	90022005065	2	SCREW 5X65	
6	P021000991	1	CASE, AIR CLEANER - GRAY	
7	89012152730	1	LABEL - CHOKE	
8	13001013410	1	GASKET, INTAKE	Also Included In GASKET KIT
9	13001744330	1	INSULATOR, INTAKE	
10	90023805020	2	SCREW 5X20	
11	90050000005	2	NUT 5	
12	V103000490	1	SHIELD, INTAKE	Also Included In GASKET KIT
13	-----	1	CARBURETOR	See Carburetor Diagrams for Additional Information
14	P021004710	1	GASKET KIT	
15	P021012290	1	GASKET KIT	

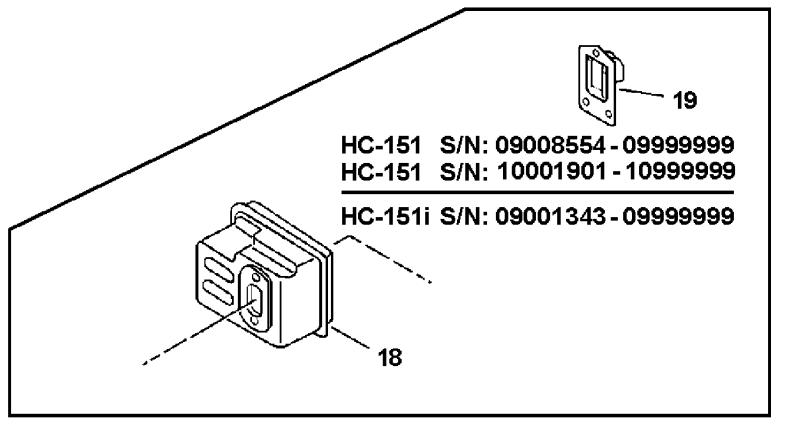
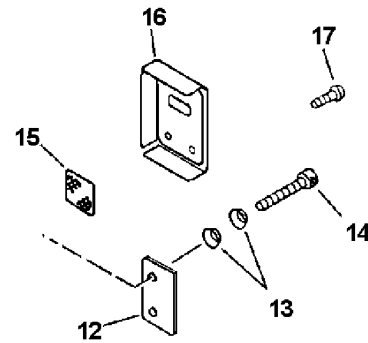


RBK75 0000 000

ITEM	PART NUMBER	QTY	DESCRIPTION	REMARKS
	A021000740	1	CARBURETOR -- RB-K75	
1	P005001320	1	ROTOR COVER ASY	
2	12534413931	3	SCREW, ROTOR COVER ASY	
3	12534452130	1	SCREW, ROTOR COVER	
4	P005001330	1	SCREW, CABLE ADJUST	
5	P005001240	1	SWIVEL	
6	P005000190	1	E-RING	
7	P005000100	1	SCREW, THROTTLE ADJUST	
8	P005000280	1	O-RING	
9	-----	1	BODY, CARBURETOR	NOT AVAILABLE SEPARATELY
10	P005001270	1	PLUG	
11	P005001260	1	NEEDLE - HIGH SPEED	
12	P005000930	1	PURGE BASE ASY	
13	P005000270	1	SCREW, PURGE BASE ASY	
14	12538108660	1	BULB, PURGE	
15	P005000250	1	RETAINER, PURGE BULB	
16	12531061830	4	SCREW, PURGE BULB RETAINER	
17	12534252130	1	COVER, DIAPHRAGM	
18	12534452130	3	SCREW, DIAPHRAGM COVER	
19	12533942030	1	SCREW, METERING LEVER PIN	
20	P005001670	1	REPAIR KIT	INCLUDES ITEMS 21-30
21	P005001000	1	ROLLER, GUIDE	
22	-----	1	PIN, METERING LEVER	
23	-----	1	VALVE, INLET NEEDLE	
24	-----	1	LEVER, METERING	
25	-----	1	SPRING, METERING LEVER	
26	-----	1	STRAINER	
27	-----	1	DIAPHRAGM, PUMP	
28	-----	1	GASKET, PUMP	
29	-----	1	GASKET, METERING	
30	-----	1	DIAPHRAGM, METERING	
31	P005001660	1	DIAPHRAGM/GASKET KIT	INCLUDES ITEMS 32-35
32	-----	1	DIAPHRAGM, PUMP	
33	-----	1	GASKET, PUMP	
34	-----	1	GASKET, METERING	
35	-----	1	DIAPHRAGM, METERING	



HC-150 & HC-150i
S/N: 09001001 - 09999999
HC-151 & HC-151i
S/N: 09001001 - 10999999

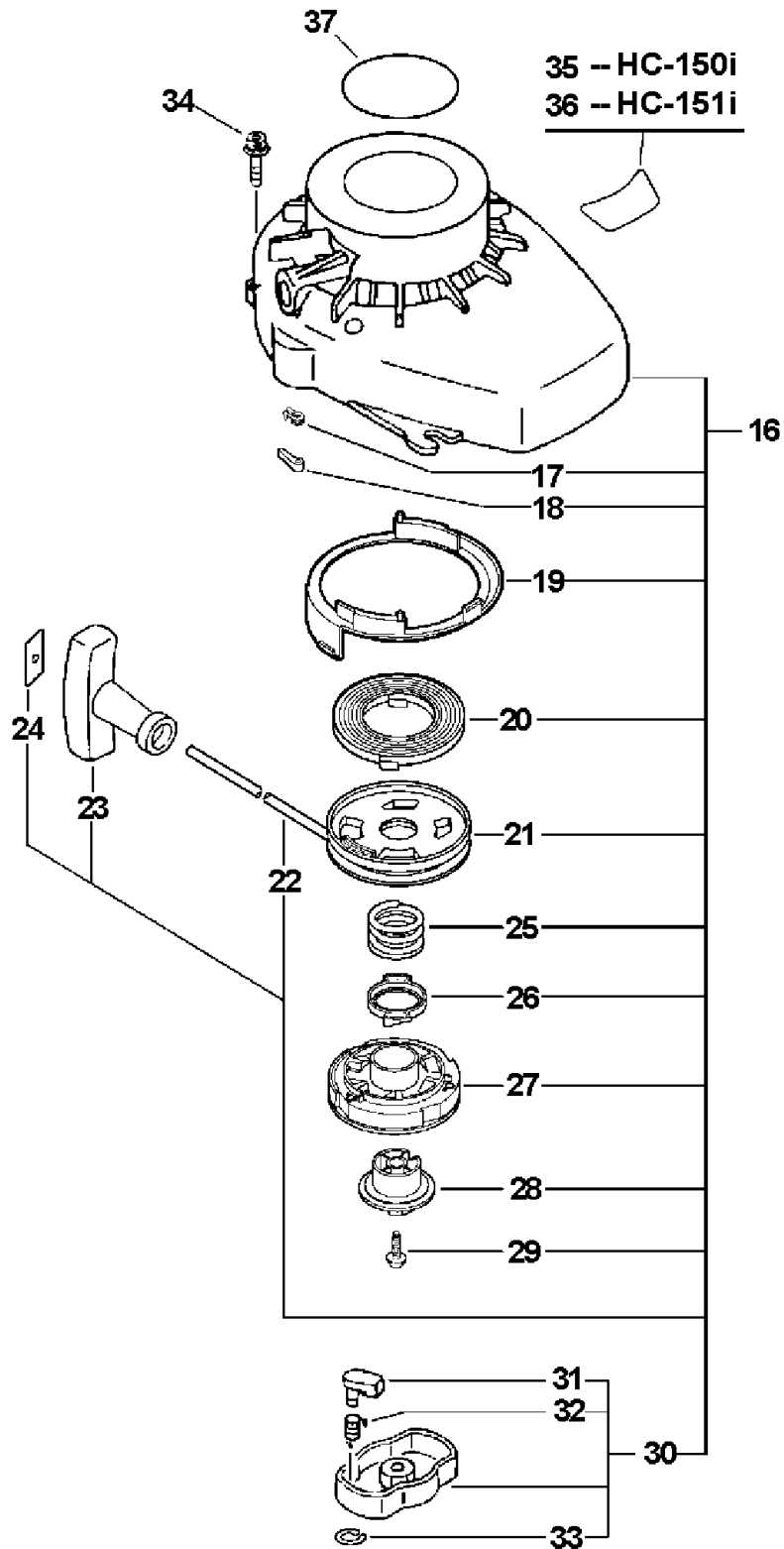


HC 0021 00 000

ITEM	PART NUMBER	QTY	DESCRIPTION	REMARKS
1	P021012290	1	GASKET KIT	
2	V104000590	1	SHIELD, EXHAUST ¹	
3	14581011520	1	MUFFLER	
4	90060000005	2	WASHER 5	
5	90010505050	2	SCREW 5X50	
6	14586240630	1	SCREEN, MUFFLER	
7	14586642031	1	GASKET, EXHAUST ¹	
8	A313000610	1	GUIDE, EXHAUST	
9	90024204010	3	SCREW 4X10	
10	A300000080	1	MUFFLER	
11	A313000640	1	GUIDE, EXHAUST	
12	V150000371	1	PLATE, EYE	
13	V347000000	4	WASHER, CONICAL	
14	90010505055	2	SCREW 5X55	
15	14586240630	1	SCREEN, MUFFLER	
16	V104000072	1	GASKET, EXHAUST ¹	
17	9136704012	3	SCREW 4X12	
18	A300000521	1	MUFFLER	
19	A313000700	1	GUIDE, EXHAUST	

Footnotes

¹: Also Included In GASKET KIT

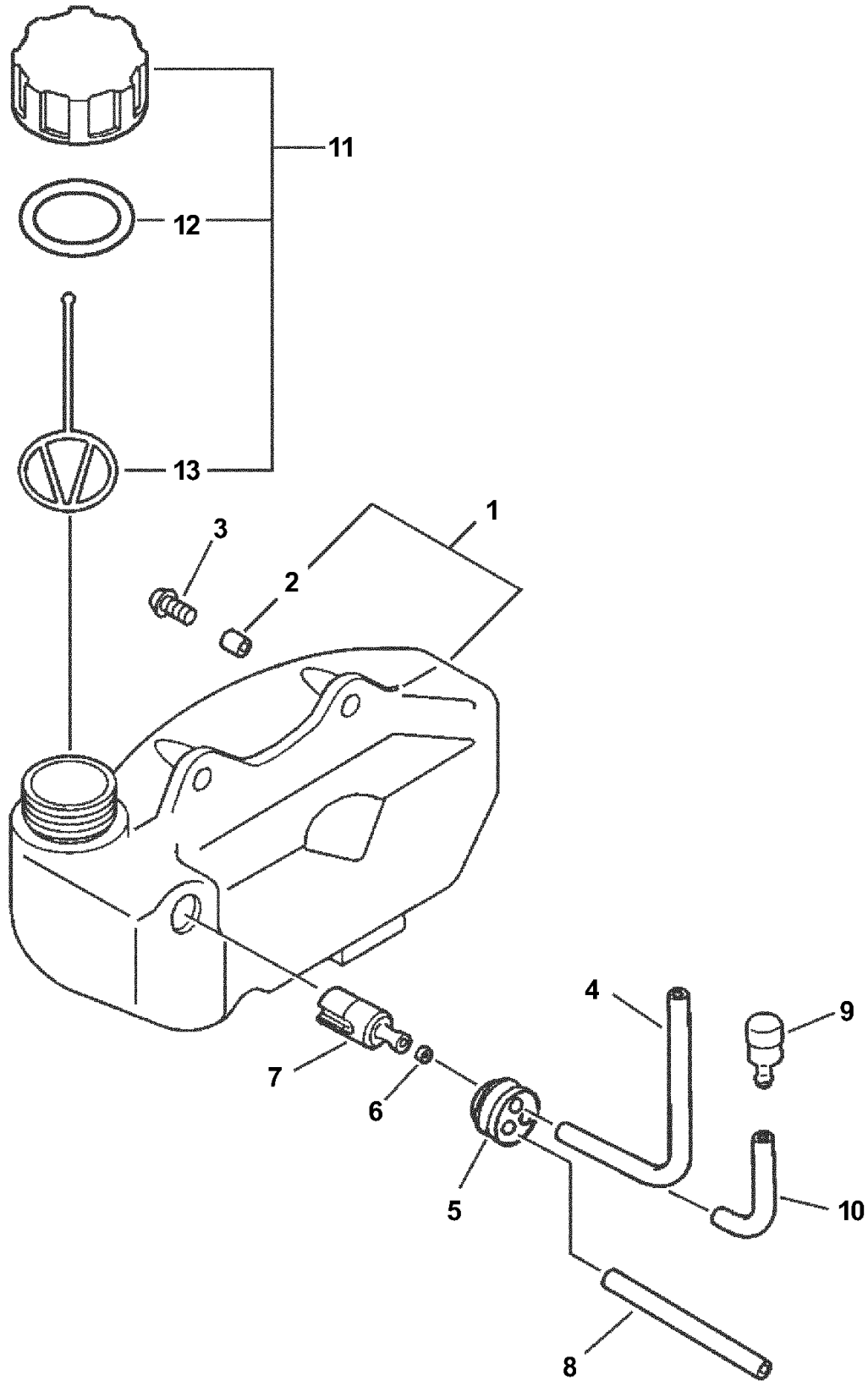


HC 0020 00 000

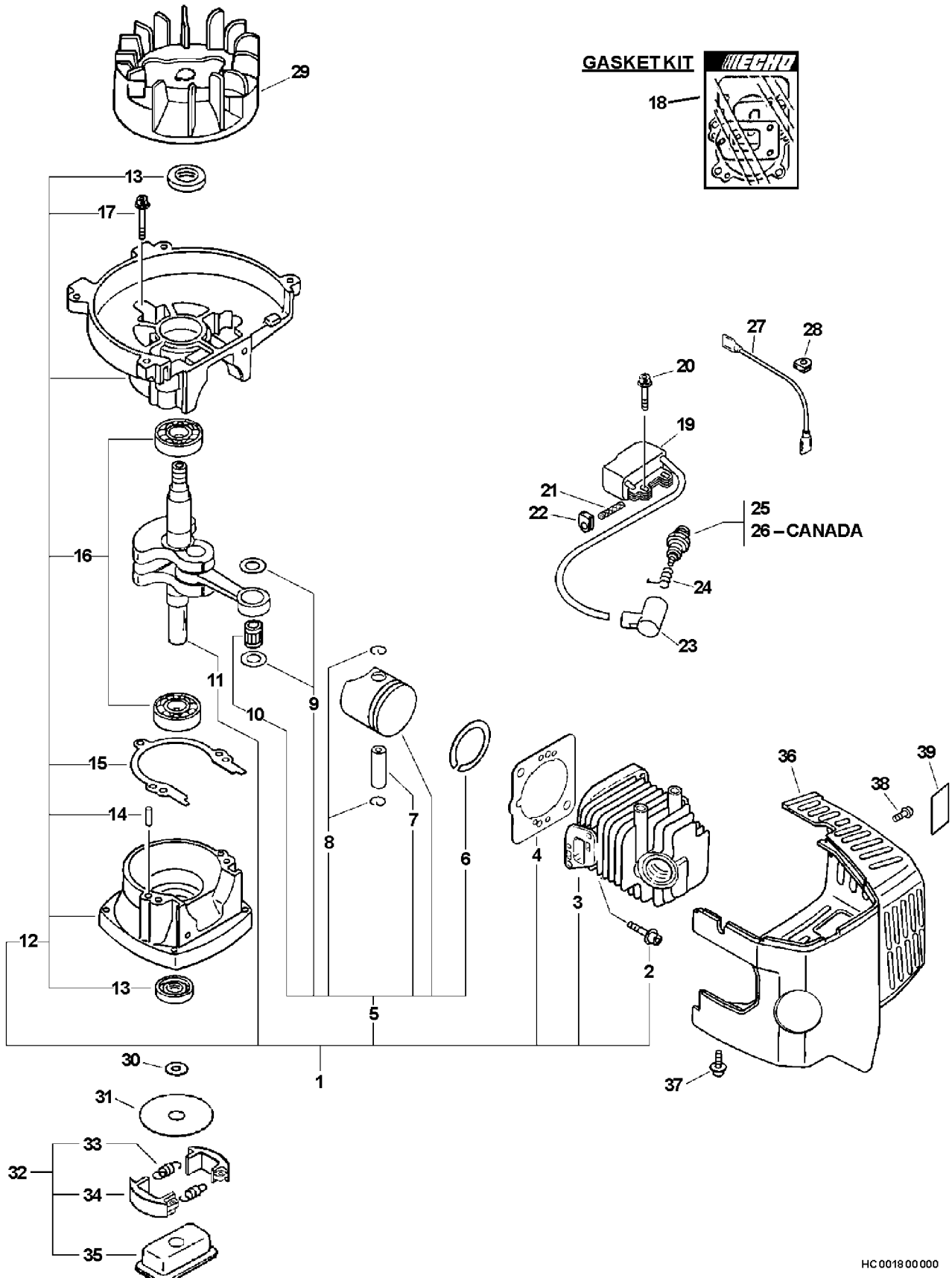
ITEM	PART NUMBER	QTY	DESCRIPTION	REMARKS
16	A051000591	1	STARTER ASY	
17	P022004610	2	SPRING, PAWL RETURN	
18	P022004620	2	PAWL, STARTER	
19	P022006500	1	CASE, STARTER	
20	P022004680	1	SPRING, REWIND	
21	P022004690	1	DRUM, STARTER	
22	P022004600	1	ROPE, STARTER - 3X800mm ¹	REPOWER BULK OPTION: 99944440000
23	P022004990	1	GRIP, STARTER	
24	17724611120	1	CLIP, ROPE	
25	P022004660	1	SPRING, RETURN	
26	P022004670	1	PAWL, STARTER	
27	P022004700	1	SPRING ASY	
28	P022004640	1	PLATE, CAM	
29	P022004630	1	SCREW	
30	A052000150	1	STARTER PAWL ASY	INCLUDES ITEMS 31-33
31	P022004740	2	PAWL, STARTER	
32	17723412220	2	SPRING, RETURN	
33	P022002100	2	E-RING	
34	90016304016	4	SCREW 4X16	
35	X503004480	1	LABEL - MODEL -- HC-150i	
36	X503004560	1	LABEL - MODEL -- HC-151i	
37	X502000032	1	LABEL, i-START	

Footnotes

1: BULK OPTION: 99944444000



ITEM	PART NUMBER	QTY	DESCRIPTION	REMARKS
1	A350000680	1	TANK, FUEL	INCLUDES ITEM 2
2	13104528230	2	SPACER	
3	90027505015	2	SCREW 5X15	
4	13201007530	1	PIPE, FUEL - 3X5X195mm	REPOWER BULK OPTION: 90014
5	V137000030	1	GROMMET	
6	13201309820	1	CLIP	
7	13120507320	1	STRAINER, FUEL	
8	13201006460	1	PIPE, RETURN - 3X6X110mm	REPOWER BULK OPTION: 90017
9	A356000030	1	VENT ASY	
10	V471001200	1	PIPE, VENT - 3X5X70mm	REPOWER BULK OPTION: 90014
11	13100455530	1	CAP ASY	INCLUDES ITEM 12-13
12	13101655830	1	GASKET, CAP	
13	13105156030	1	CONNECTOR, CAP	

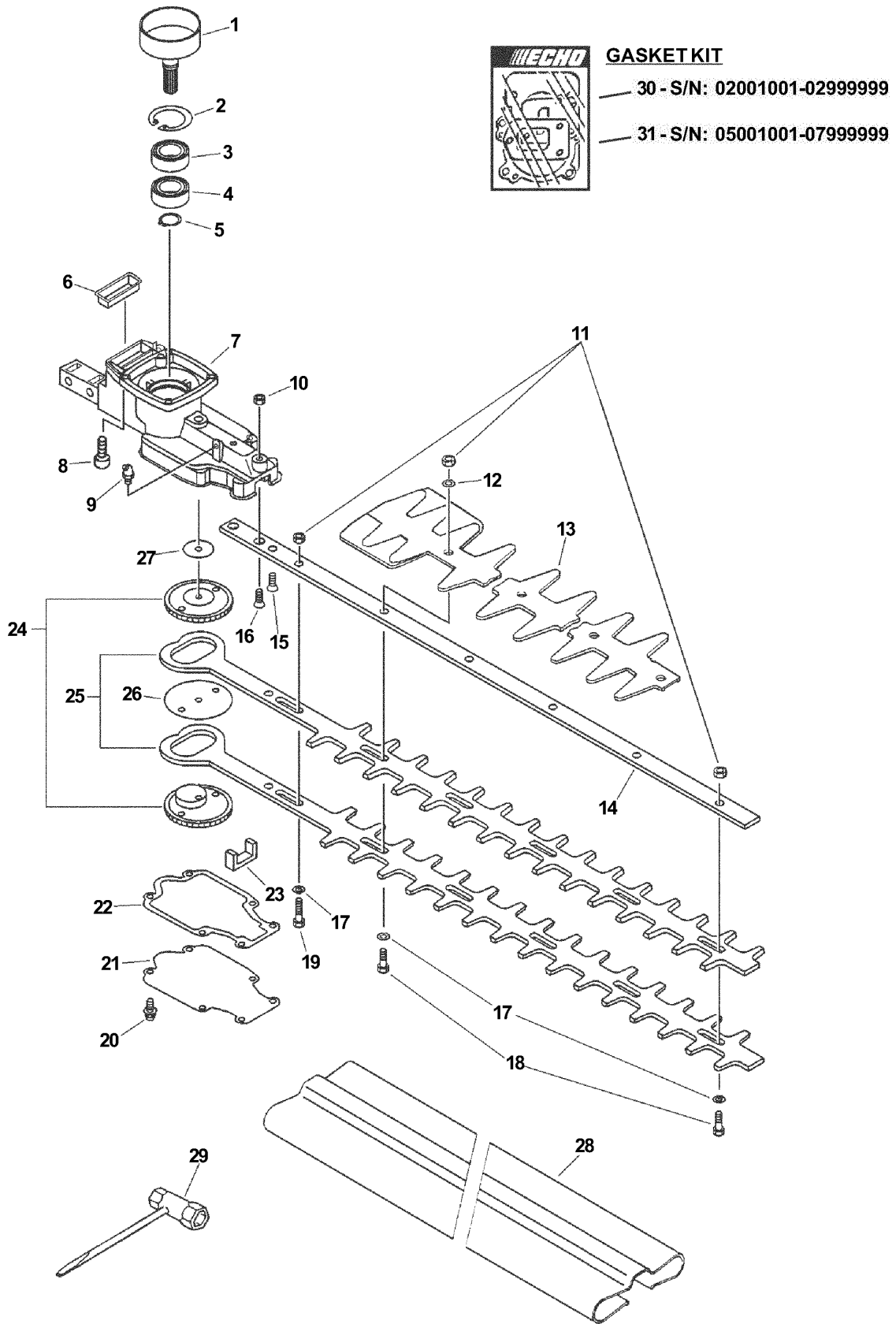


HC001800000

ITEM	PART NUMBER	QTY	DESCRIPTION	REMARKS
1	SB1074	1	SHORT BLOCK	INCLUDES ITEM 2-17
2	90016205022	2	SCREW 5X22	
3	A130000550	1	CYLINDER	
4	V100000160	1	GASKET, CYLINDER ¹	
5	P021007772	1	PISTON KIT	INCLUDES ITEMS 6-10
6	A101000090	1	RING, PISTON	
7	10001311520	1	PIN, PISTON	
8	10001504630	2	CIRCLIP, PISTON PIN	
9	10001408960	2	SPACER, PISTON PIN	
10	10011305930	1	BEARING, NEEDLE	
11	A011000312	1	CRANKSHAFT ASY	
12	10020405361	1	CRANKCASE KIT	INCLUDES ITEMS 13-17
13	10021242031	2	OIL SEAL	
14	V622000020	2	DOWEL PIN - 4X7.8mm	
15	10024242030	1	GASKET, CRANKCASE ¹	
16	9403536201	2	BEARING, BALL - 6201	
17	90016205028	3	SCREW 5X28	
18	P021012290	1	GASKET KIT	
19	A411000130	1	COIL, IGNITION	
20	90016204020	2	SCREW 4X20	
21	V475002200	1	TUBE, INSULATOR	
22	15611004920	1	BUSHING	
23	15901201620	1	CAP, SPARK PLUG	
24	15901103432	1	TERMINAL, SPARK PLUG CAP	
25	15901019830	1	SPARK PLUG -- BPM-8Y	
26	A425000000	1	SPARK PLUG -- BPMR-8Y	CANADA MODELS
27	16202152830	1	LEAD, IGNITION	
28	15611404920	1	GROMMET	
29	A409000150	1	FLYWHEEL	
30	17501405360	1	WASHER, CLUTCH	
31	17501904920	1	PLATE, CLUTCH	
32	17500006560	1	CLUTCH ASY	INCLUDES ITEMS 33-35
33	17501805960	2	SPRING, CLUTCH	
34	17500905131	2	SHOE, CLUTCH	
35	17501604920	1	HUB, CLUTCH	
36	A160000151	1	COVER, ENGINE - GRAY	
37	90016204020	2	SCREW 4X20	
38	9110704008	1	SCREW 4X8	
39	89016006361	1	LABEL - CAUTION -- HOT	

Footnotes

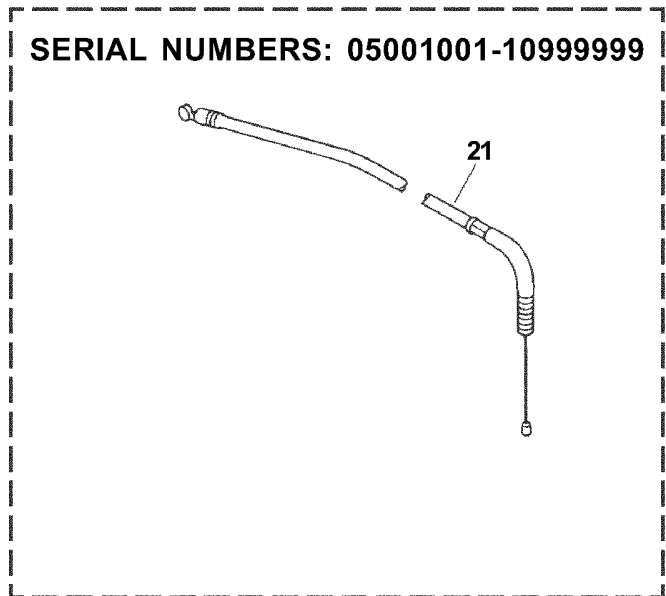
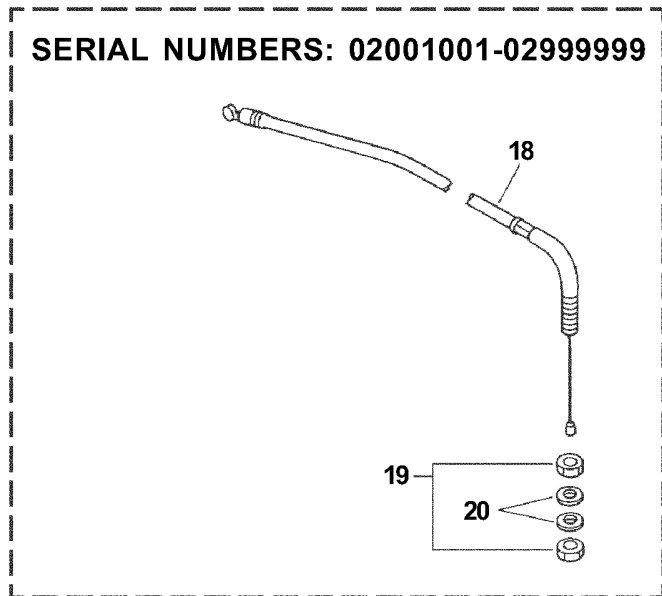
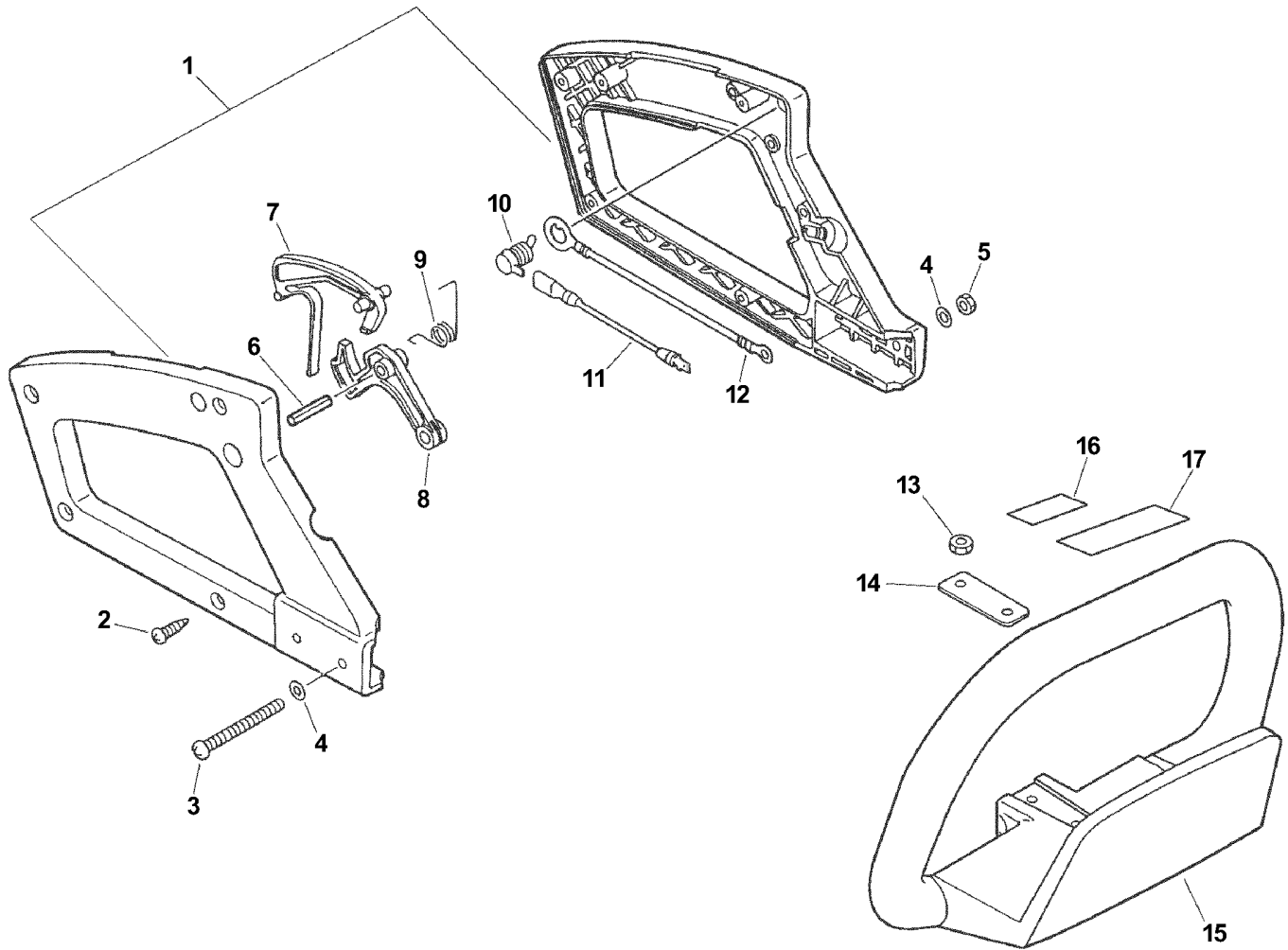
1: Also Included In GASKET KIT



ITEM	PART NUMBER	QTY	DESCRIPTION	REMARKS
1	17500506560	1	DRUM, CLUTCH	
2	90070200035	1	CIRCLIP 35	
3	90087236202	1	BEARING, BALL	
4	90087036202	1	BEARING, BALL	
5	90070100014	1	CIRCLIP 14	
6	13192061830	1	CUSHION, FUEL TANK	
7	C531000051	1	CASE, GEAR	
8	90016304016	2	SCREW 4X16	
9	88011054230	1	NIPPLE, GREASE	
10	90050000006	2	NUT 6	
11	43302206460	6	NUT	
12	69911804560	4	WASHER	
13	69912503060	1	BLUNT	
14	X425000010	1	SUPPORT, BLADE	
15	90021205030	1	SCREW 5X30	
16	90021206030	2	SCREW 6X30	
17	69911804560	6	WASHER	
18	69911504660	5	BOLT 6	
19	69911506560	1	BOLT, BLADE	
20	90016204012	6	SCREW 4X12	
21	61041106560	1	LID, GEAR CASE	
22	61041406560	1	GASKET, GEAR HOUSING ¹	
23	61042606560	1	SEAL	
24	V650000250	2	GEAR, SPUR	
25	X411000020	2	BLADE	
26	68902505360	1	WASHER	
27	68902506560	1	WASHER	
28	X495000010	1	COVER, BLADE	
29	89541006960	1	WRENCH, W/SCREWDRIVER	
30	P021001610	1	GASKET KIT	
31	P021004710	1	GASKET KIT	

Footnotes

1: Also Included In GASKET KIT for SERIAL NUMBERS: 02001001-07999999 ONLY



HC-150i Hedge Trimmer

Handle, Ignition Switch, Throttle Cable

ITEM	PART NUMBER	QTY	DESCRIPTION	REMARKS
1	35110006560	1	REAR HANDLE SET	
2	90025504016	5	SCREW 4X16	
3	90022005047	2	SCREW 5X47	
4	90060000005	4	WASHER 5	
5	90056000005	1	LOCKNUT	
6	90034250025	1	SPRING PIN 5X25	
7	17809006560	1	LOCKOUT, THROTTLE CONTROL	
8	17801006560	1	CONTROL, THROTTLE	
9	17804315130	1	SPRING, THROTTLE RETURN	
10	16340003460	1	SWITCH, IGNITION	
11	V485000090	1	LEAD, IGNITION	
12	V485000080	1	LEAD, GROUND	
13	90056000005	2	LOCKNUT	
14	35161105360	1	WASHER	
15	35161005360	1	HANDLE, FRONT	
16	X505000290	1	LABEL, CAUTION	
17	X505000270	1	LABEL, CAUTION	
18	V430000110	1	CABLE, THROTTLE	
19	90050200006	2	NUT 6	
20	90060000006	2	WASHER 6	
21	V430000650	1	CABLE, THROTTLE	



Part Number Index

Click The Page Number After Any Part Number To View The Diagram Containing That Part.

Part Number	Page	Part Number	Page	Part Number	Page
-----	5, 7	90016205028	15	P022004990	11
10001311520	15	90016304016	11, 17	P022006500	11
10001408960	15	90021205030	17	SB1074	15
10001504630	15	90021206030	17	V100000160	15
10011305930	15	90022005047	19	V103000490	5
10020405361	15	90022005065	5	V104000072	9
10021242031	15	90023805020	5	V104000590	9
10024242030	15	90024204010	9	V137000030	13
12531061830	7	90025504016	19	V150000371	9
12533942030	7	90027505015	13	V347000000	9
12534252130	7	90034250025	19	V430000110	19
12534413931	7	90050000005	5	V430000650	19
12534452130	7	90050000006	17	V471001200	13
12538108660	7	90050200006	19	V475002200	15
12901152730	5	90056000005	19	V485000080	19
13001013410	5	90060000005	9, 19	V485000090	19
13001744330	5	90060000006	19	V622000020	15
13031054130	5	90070100014	17	V650000250	17
13031306563	5	90070200035	17	X411000020	17
13100455530	13	90087036202	17	X425000010	17
13101655830	13	90087236202	17	X495000010	17
13104528230	13	9110704008	15	X502000032	11
13105156030	13	9136704012	9	X503004480	11
13120507320	13	9403536201	15	X503004560	11
13192061830	17	A011000312	15	X505000270	19
13201006460	13	A021000740	7	X505000290	19
13201007530	13	A051000591	11		
13201309820	13	A052000150	11		
14581011520	9	A101000090	15		
14586240630	9	A130000550	15		
14586642031	9	A160000151	15		
15611004920	15	A300000080	9		
15611404920	15	A300000521	9		
15901019830	15	A313000610	9		
15901103432	15	A313000640	9		
15901201620	15	A313000700	9		
16202152830	15	A350000680	13		
16340003460	19	A356000030	13		
17500006560	15	A409000150	15		
17500506560	17	A411000130	15		
17500905131	15	A425000000	15		
17501405360	15	C531000051	17		
17501604920	15	P005000100	7		
17501805960	15	P005000190	7		
17501904920	15	P005000250	7		
17723412220	11	P005000270	7		
17724611120	11	P005000280	7		
17801006560	19	P005000930	7		
17804315130	19	P005001000	7		
17809006560	19	P005001240	7		
21041752730	5	P005001260	7		
35110006560	19	P005001270	7		
35161005360	19	P005001320	7		
35161105360	19	P005001330	7		
43302206460	17	P005001660	7		
61041106560	17	P005001670	7		
61041406560	17	P021000991	5		
61042606560	17	P021001610	17		
68902505360	17	P021004710	5, 17		
68902506560	17	P021007772	15		
69911504660	17	P021012290	5, 9, 15		
69911506560	17	P022002100	11		
69911804560	17	P022004600	11		
69912503060	17	P022004610	11		
88011054230	17	P022004620	11		
89012152730	5	P022004630	11		
89016006361	15	P022004640	11		
89541006960	17	P022004660	11		
90010505050	9	P022004670	11		
90010505055	9	P022004680	11		
90016204012	17	P022004690	11		
90016204020	15	P022004700	11		
90016205022	15	P022004740	11		



Part Description Index

Click The Page Number After Any Part Description To View The Diagram Containing That Part.

B

BEARING, BALL.....17
 BEARING, BALL - 6201.....15
 BEARING, NEEDLE.....15
 BLADE.....17
 BLUNT.....17
 BODY, CARBURETOR.....7
 BOLT 6.....17
 BOLT, BLADE.....17
 BOLT, WING.....5
 BULB, PURGE.....7
 BUSHING.....15

C

CABLE, THROTTLE.....19
 CAP ASY.....13
 CAP, SPARK PLUG.....15
 CARBURETOR.....5
 CARBURETOR -- RB-K75.....7
 CASE, AIR CLEANER - GRAY.....5
 CASE, GEAR.....17
 CASE, STARTER.....11
 CIRCLIP 14.....17
 CIRCLIP 35.....17
 CIRCLIP, PISTON PIN.....15
 CLIP.....13
 CLIP, ROPE.....11
 CLUTCH ASY.....15
 COIL, IGNITION.....15
 CONNECTOR, CAP.....13
 CONTROL, THROTTLE.....19
 COVER, BLADE.....17
 COVER, DIAPHRAGM.....7
 COVER, ENGINE - GRAY.....15
 CRANKCASE KIT.....15
 CRANKSHAFT ASY.....15
 CUSHION, FUEL TANK.....17
 CYLINDER.....15

D

DIAPHRAGM, METERING.....7
 DIAPHRAGM, PUMP.....7
 DIAPHRAGM/GASKET KIT.....7
 DOWEL PIN - 4X7.8mm.....15
 DRUM, CLUTCH.....17
 DRUM, STARTER.....11

E

E-RING.....7, 11

F

FILTER, AIR.....5
 FLYWHEEL.....15

G

GASKET KIT.....5, 9, 15, 17
 GASKET, CAP.....13
 GASKET, CRANKCASE.....15
 GASKET, CYLINDER.....15
 GASKET, EXHAUST.....9
 GASKET, GEAR HOUSING.....17
 GASKET, INTAKE.....5

GASKET, METERING.....7
 GASKET, PUMP.....7
 GEAR, SPUR.....17
 GRIP, STARTER.....11
 GROMMET.....13, 15
 GUIDE, EXHAUST.....9

H

HANDLE, FRONT.....19
 HUB, CLUTCH.....15

I

INSULATOR, INTAKE.....5

L

LABEL - CAUTION -- HOT.....15
 LABEL - CHOKE.....5
 LABEL - MODEL -- HC-150i.....11
 LABEL - MODEL -- HC-151i.....11
 LABEL, CAUTION.....19
 LABEL, i-START.....11
 LEAD, GROUND.....19
 LEAD, IGNITION.....15, 19
 LEVER, METERING.....7
 LID, AIR CLEANER - GRAY.....5
 LID, GEAR CASE.....17
 LOCKNUT.....19
 LOCKOUT, THROTTLE CONTROL.....19

M

MUFFLER.....9

N

NEEDLE - HIGH SPEED.....7
 NIPPLE, GREASE.....17
 NUT.....17
 NUT 5.....5
 NUT 6.....17, 19

O

OIL SEAL.....15
 O-RING.....7

P

PAWL, STARTER.....11
 PIN, METERING LEVER.....7
 PIN, PISTON.....15
 PIPE, FUEL - 3X5X195mm.....13
 PIPE, RETURN - 3X6X110mm.....13
 PIPE, VENT - 3X5X70mm.....13
 PISTON KIT.....15
 PLATE, CAM.....11
 PLATE, CLUTCH.....15
 PLATE, EYE.....9
 PLATE, PREVENT.....5
 PLUG.....7
 PURGE BASE ASY.....7

R

REAR HANDLE SET.....19
 REPAIR KIT.....7
 RETAINER, PURGE BULB.....7

RING, PISTON.....15
 ROLLER, GUIDE.....7
 ROPE, STARTER - 3X800mm.....11
 ROTOR COVER ASY.....7

S

SCREEN, MUFFLER.....9
 SCREW.....11
 SCREW 4X10.....9
 SCREW 4X12.....9, 17
 SCREW 4X16.....11, 17, 19
 SCREW 4X20.....15
 SCREW 4X8.....15
 SCREW 5X15.....13
 SCREW 5X20.....5
 SCREW 5X22.....15
 SCREW 5X28.....15
 SCREW 5X30.....17
 SCREW 5X47.....19
 SCREW 5X50.....9
 SCREW 5X55.....9
 SCREW 5X65.....5
 SCREW 6X30.....17
 SCREW, CABLE ADJUST.....7
 SCREW, DIAPHRAGM COVER.....7
 SCREW, METERING LEVER PIN.....7
 SCREW, PURGE BASE ASY.....7
 SCREW, PURGE BULB RETAINER.....7
 SCREW, ROTOR COVER.....7
 SCREW, ROTOR COVER ASY.....7
 SCREW, THROTTLE ADJUST.....7
 SEAL.....17
 SHIELD, EXHAUST.....9
 SHIELD, INTAKE.....5
 SHOE, CLUTCH.....15
 SHORT BLOCK.....15
 SPACER.....13
 SPACER, PISTON PIN.....15
 SPARK PLUG -- BPM-8Y.....15
 SPARK PLUG -- BPMR-8Y.....15
 SPRING ASY.....11
 SPRING PIN 5X25.....19
 SPRING, CLUTCH.....15
 SPRING, METERING LEVER.....7
 SPRING, PAWL RETURN.....11
 SPRING, RETURN.....11
 SPRING, REWIND.....11
 SPRING, THROTTLE RETURN.....19
 STARTER ASY.....11
 STARTER PAWL ASY.....11
 STRAINER.....7
 STRAINER, FUEL.....13
 SUPPORT, BLADE.....17
 SWITCH, IGNITION.....19
 SWIVEL.....7

T

TANK, FUEL.....13
 TERMINAL, SPARK PLUG CAP.....15
 TUBE, INSULATOR.....15

V

VALVE, INLET NEEDLE.....7
 VENT ASY.....13



Part Description Index (continued)

W

- WASHER.....17, 19
- WASHER 5.....9, 19
- WASHER 6.....19
- WASHER, CLUTCH.....15
- WASHER, CONICAL.....9
- WRENCH, W/SCREWDRIVER.....17

NOTES



ECHO, INCORPORATED

400 Oakwood Road
Lake Zurich, IL 60047 USA

WWW.ECHO-USA.COM
