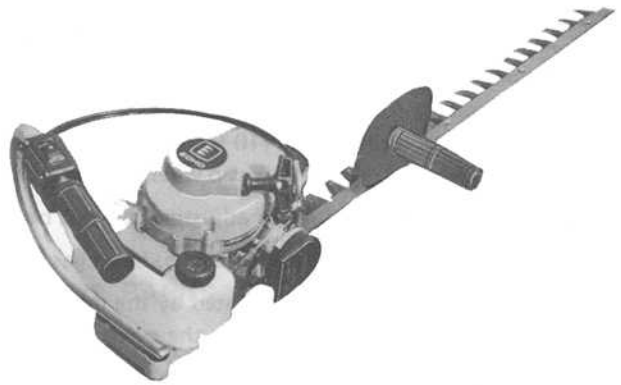


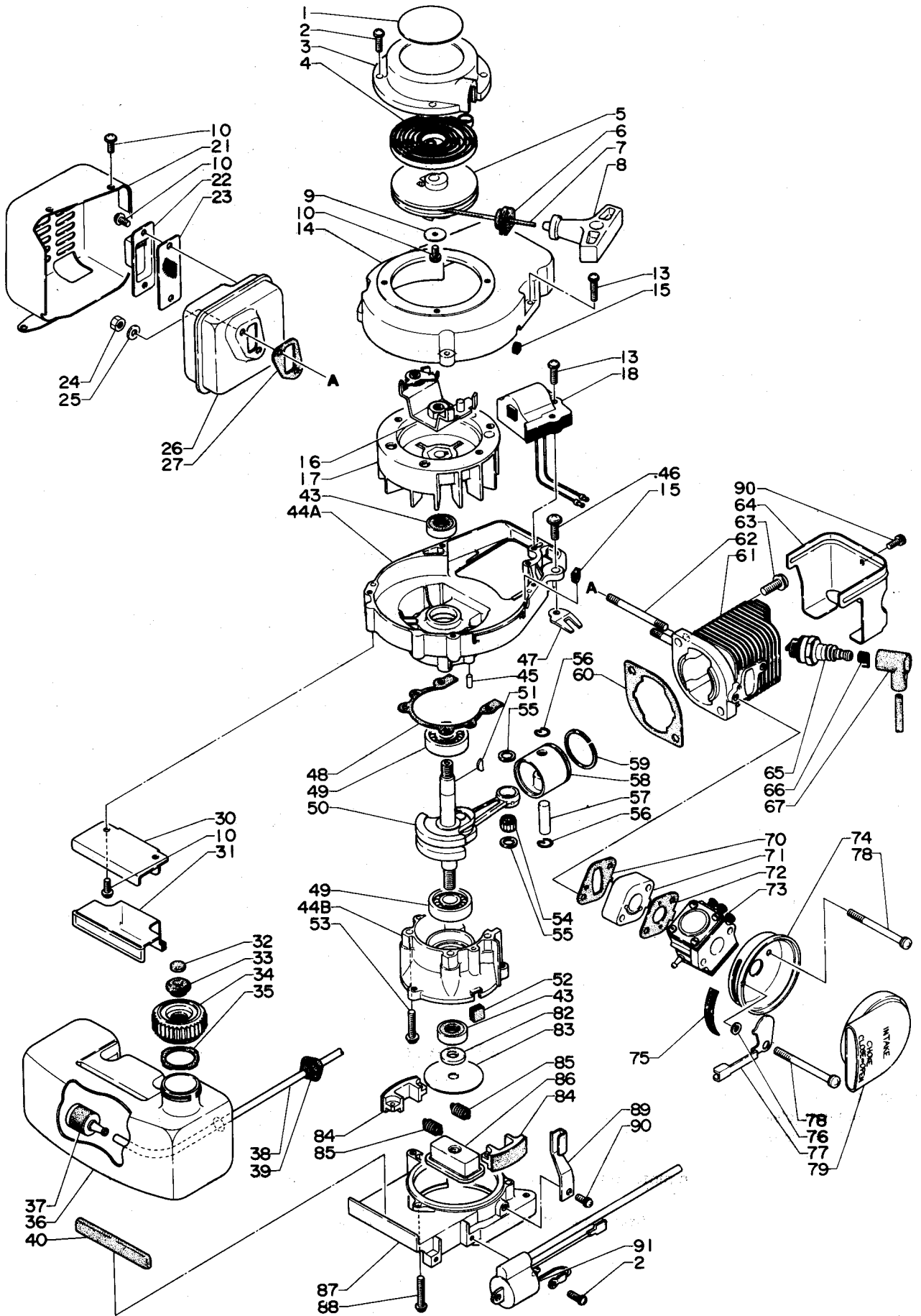
# ECHO

## HEDGE TRIMMER

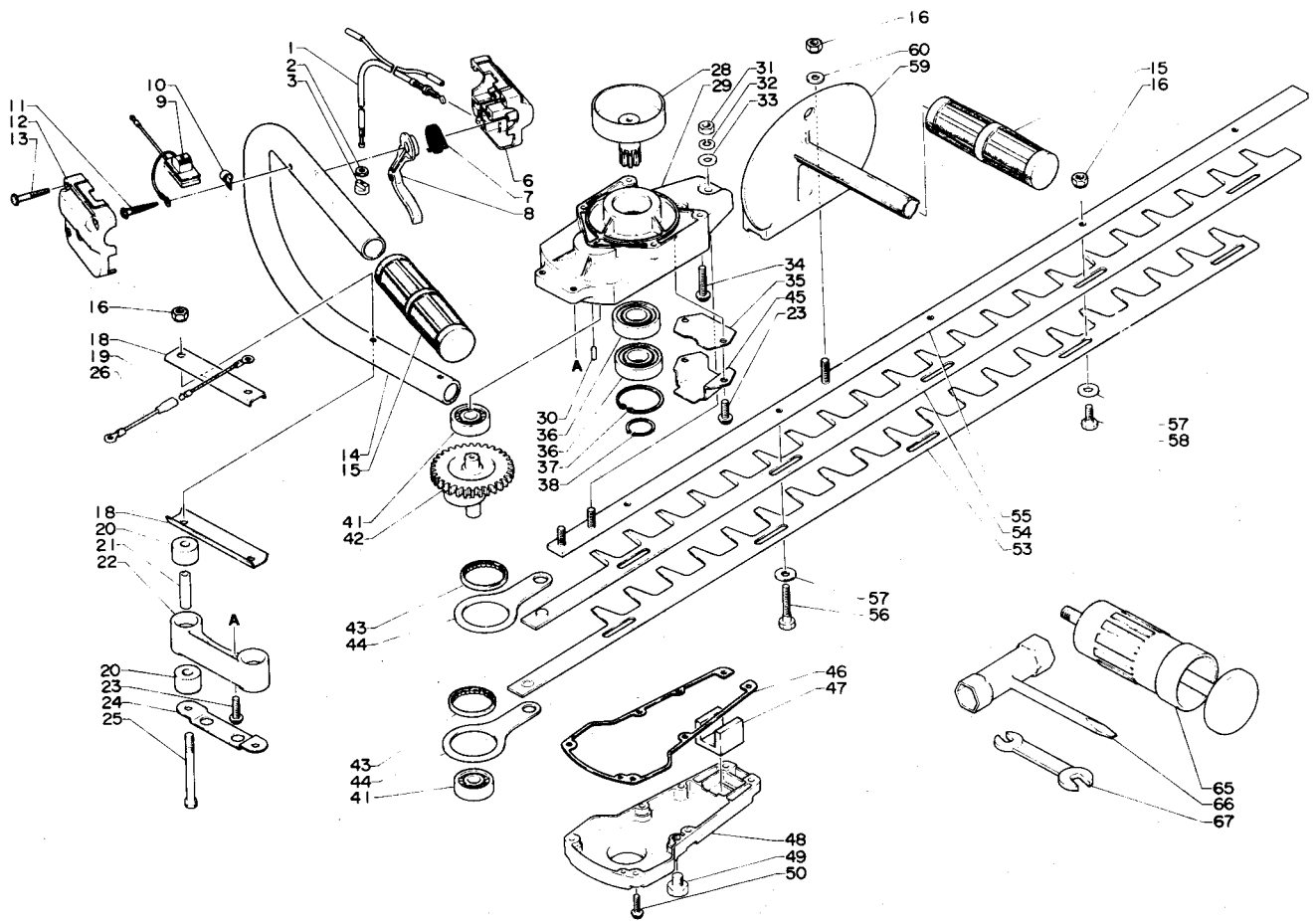
### PARTS CATALOG

HC-200

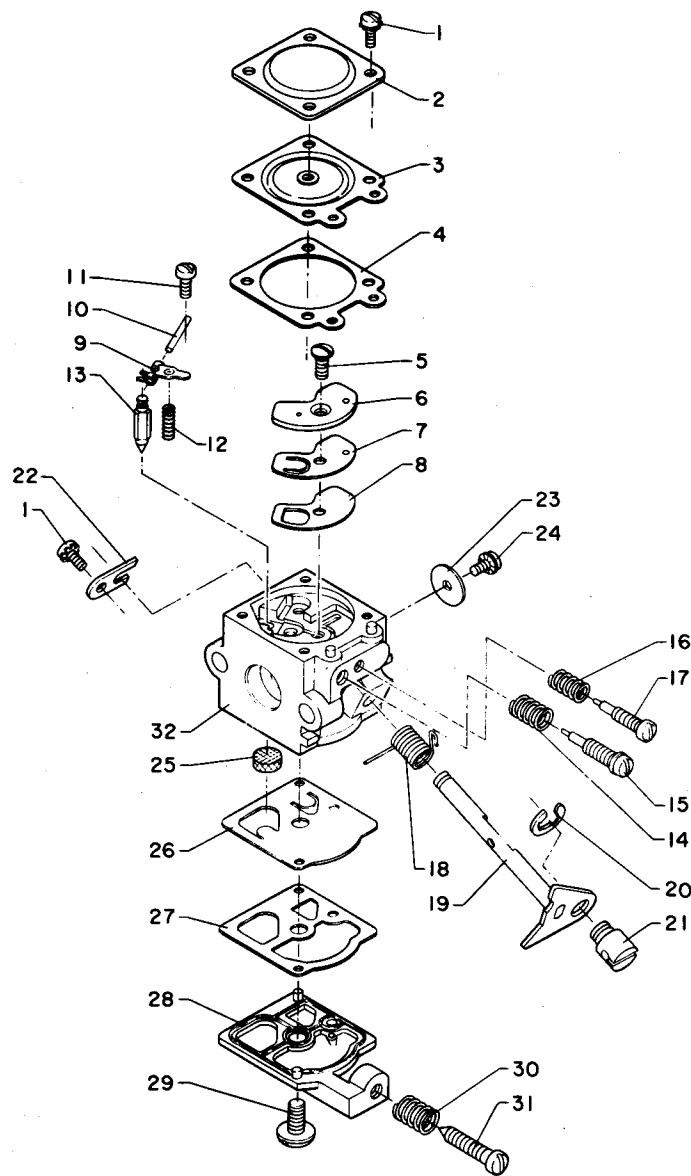




Key No.	Part No.	Q'ty	Description	Key No.	Part No.	Q'ty	Description
1- 1	890 112-0603 1	1	Decal, ECHO	1- 47	178 132-0126 0	1	Bracket, throttle cable
2	900 242-0401 2	6	Screw 4x12 w/W, SW	48	100 242-0492 0	1	Gasket, crankcase
*	<b>177 200-0126 0</b>	<b>1</b>	<b>Recoil starter ass'y</b>	49	900 810-3620 0	2	Ball bearing 6200
3	-177 209-0126 0	1	Starter case	50	100 100-0126 0	1	Crankshaft ass'y
4	-177 220-0653 0	1	Rewind spring	51	100 131-0652 0	1	Woodruff key
5	-177 215-0653 0	1	Recoil drum	52	100 223-0126 0	1	Plug
6	-177 227-0126 0	1	Rope guide	53	900 242-0503 0	4	Screw 5x30 w/W, SW
7	-177 226-0653 0	1	Starter rope	54	100 113-0593 0	1	Needle bearing
8	-177 228-0653 0	1	Starter handle	55	100 014-0652 0	1	Spacer, piston pin
9	-177 214-0463 0	1	Washer	56	100 015-0463 0	2	End ring
				57	100 013-1021 0	1	Piston pin
10	-900 242-0401 0	1	Screw 4x10 w/W, SW	58	100 010-0652 0	1	Piston
10	900 242-0401 0	2	Screw 4x10 w/W, SW	59	100 011-0533 0	1	Piston ring
13	900 242-0402 0	4	Screw 4x20 w/W, SW	60	101 010-0492 0	1	Gasket, cylinder base
14	101 511-0126 0	1	Fan cover	61	101 011-0652 0	1	Cylinder
15	156 114-0492 0	2	Grommet	62	101 014-0056 0	2	Stud bolt, muffler
				63	900 242-0602 2	1	Screw 6x22 w/W, SW
16	177 305-0126 0	1	Ratchet ass'y	64	101 514-0652 0	1	Cylinder cover
17	156 800-0126 0	1	Flywheel	65	159 010-0033 0	1	Spark plug
18	156 601-0126 0	1	C.D.I. module	66	159 011-0051 0	1	Coil spring, plug cap
**	<b>145 803-0126 0</b>	<b>1</b>	<b>Muffler ass'y w/cover</b>	67	159 012-0162 0	1	Cap, spark plug
10	-900 242-0401 0	1	Screw 4x10 w/W, SW	70	130 010-0652 0	1	Gasket
21	-145 621-0126 0	1	Muffler cover	71	130 017-0652 0	1	Insulator
***	-145 900-0126 0	1	Muffler ass'y	72	130 016-0492 1	1	Gasket
10	-900 242-0401 0	2	Screw 4x10 w/W, SW	73	123 000-0126 0	1	Carburetor ass'y
22	-145 809-0652 0	1	Screen holder	74	130 301-0492 0	1	Case, air cleaner
23	-145 862-0652 0	1	Screen	75	-178 810-0492 0	1	Grommet
26	-145 806-0652 0	1	Muffler	76	178 516-0083 0	1	Washer
27	-145 510-0652 0	1	Gasket, muffler	77	178 515-0492 0	1	Choke shutter
24	433 020-0083 0	2	Lock nut 5	78	900 242-0505 7	2	Screw 5x57 w/W, SW
25	900 600-0000 5	2	Washer 5	79	130 310-0492 0	1	Air filter
30	131 910-0126 0	1	Bracket, fuel tank	82	100 132-0653 0	1	Washer
31	131 924-0126 0	1	Cushion	83	175 019-0492 0	1	Side plate
****	<b>131 004-0632 0</b>	<b>1</b>	<b>Cap ass'y, fuel tank</b>	84	175 009-0513 0	2	Clutch shoe
32	-131 315-0502 0	1	Filter, check valve	85	175 018-0513 0	2	Clutch spring
33	-131 314-0632 0	1	Check valve	86	175 016-0733 0	1	Clutch boss
34	-131 017-0743 0	1	Cap, fuel tank	87	175 055-0126 0	1	Housing, clutch
35	-131 016-0492 0	1	Gasket, fuel tank cap	88	900 162-0402 5	3	H.S.H. bolt 4x25 w/W, SW
36	131 010-0126 0	1	Fuel tank	89	159 112-0126 0	1	Holder
37	131 205-0653 0	1	Fuel strainer	90	900 242-0501 0	2	Screw 5x10 w/W, SW
38	132 010-0492 0	1	Fuel pipe	91	156 626-0126 0	1	Ignition coil
39	132 115-0492 0	1	Grommet				
40	131 920-0126 0	1	Cushion	<b>Remarks:</b> * Consisting of 3 thru 10. ** Consisting of 10, 21 thru 23, 26 and 27. *** Consisting of 10, 22, 23 and 26. **** Consisting of 32 thru 35.			
43	100 213-0593 0	2	Oil seal				
44	100 200-0126 0	1	Crankcase set				
45	-100 215-0393 0	2	Knock pin				
46	900 242-0501 4	1	Screw 5x14 w/W, SW				



Key No.	Part No.	Q'ty	Description	Key No.	Part No.	Q'ty	Description
2-1	178 001-0126 0	1	Throttle cable	2-35	610 440-0126 0	1	Guide plate
2	900 502-0000 6	1	Nut 6	36	900 810-0620 0	2	Ball bearing 6200
3	178 021-0733 0	1	Lock nut	37	900 702-0003 2	1	Circlip 32
6	178 024-0126 0	1	Bracket (A), throttle lever	38	900 701-0001 7	1	Circlip 17
7	178 043-0126 0	1	Return spring, throttle	41	900 802-0600 3	2	Ball bearing 6003
8	178 010-0126 0	1	Throttle lever	42	610 308-0126 0	1	Gear
9	163 400-0793 0	1	Switch	43	610 327-0126 0	2	Needle bearing
10	159 113-0126 0	1	Holder	44	610 330-0126 0	2	Connecting rod
11	900 247-0400 8	1	Screw 4x8	45	610 441-0126 0	1	Guide
12	178 052-0126 0	1	Bracket (B), throttle lever	46	610 414-0126 0	1	Gasket, gear housing
13	900 245-0402 5	3	Screw 4x25	47	610 426-0126 0	1	Felt
14	351 205-0126 0	1	Rear handle	48	610 411-0126 0	1	Cover plate
15	351 012-0126 0	2	Grip	49	900 100-0800 8	1	Bolt 8x8
16	433 020-0083 0	9	Lock nut 5	50	900 242-0401 6	1	Screw 4x16 w/W, SW
				53, 54	697 000-0126 0	1	Blade set
18	351 243-0126 0	2	Bracket	55	699 105-0126 0	1	Frame bar
19	162 010-0126 0	1	Ground wire	56	351 027-0126 0	1	Bolt
20	351 228-0126 0	4	Cushion	57	699 118-0126 0	5	Washer
21	351 241-0126 0	2	Spacer	58	699 115-0126 0	4	Bolt
22	351 217-0126 0	1	Bracket, handle	59	351 010-0126 0	1	Front handle
23	900 242-0501 4	4	Screw 5x14 w/W, SW	60	900 600-0000 5	2	Washer
24	351 242-0126 0	1	Plate	65	880 300-0126 0	1	Grease gun
25	900 105-0506 0	2	H.S.H. bolt 5x60	66	895 410-0793 0	1	Wrench
26	162 014-0126 0	1	Ground lead	67	895 112-0033 0	1	Spanner
28	175 005-0126 0	1	Clutch drum				
29	610 410-0126 0	1	Gear housing				
30	-100 215-0393 0	2	Knock pin				
31	900 500-0000 6	1	Nut 6				
32	900 605-0000 6	1	Spring washer 6				
33	900 600-0000 6	1	Washer 6				
34	900 242-0502 0	2	Screw 5x20 w/W, SW				



Key No.	Part No.	Q'ty	Description	Key No.	Part No.	Q'ty	Description
<b>3- *</b>	<b>123 000-0126 0</b>	<b>1</b>	<b>Carburetor ass'y</b>	<b>3-20</b>	-123 127-1063 0	1	Clip
1	-123 144-0393 0	5	Screw	21	-123 172-0432 0	1	Swivel
2	-123 142-0393 0	1	Cover, metering diaphragm	22	-123 127-0393 0	1	Clip, throttle shaft
3	-123 141-0393 0	1	Diaphragm, metering	23	-123 116-0523 0	1	Valve, throttle
4	-123 140-0393 0	1	Gasket, metering diaphragm	24	-123 114-0393 0	1	Screw, throttle valve
5	-123 167-0523 0	1	Screw, circuit plate	25	-123 126-0393 0	1	Screen, inlet
6	-123 166-0393 0	1	Plate, circuit	26	-123 112-0393 0	1	Diaphragm, fuel pump
7	-123 165-0393 0	1	Diaphragm, circuit plate	27	-123 125-0393 0	1	Gasket, fuel pump
8	-123 164-0393 0	1	Gasket, circuit plate	28	-123 124-0623 0	1	Cover, fuel pump
9	-123 123-0393 0	1	Lever, metering	29	-123 110-0393 0	1	Screw, pump cover
10	-123 138-0393 0	1	Pin, metering lever	30	-123 133-1113 0	1	Spring, idle screw
11	-123 139-0393 0	1	Screw, metering lever pin	31	-123 134-0653 0	1	Screw, idle adjustment
12	-123 122-0393 0	1	Spring, metering lever	32	-not available	1	Body ass'y, carburetor
13	-123 137-0393 0	1	Valve, inlet needle				
14	-123 121-0393 0	1	Spring, H.S. needle				
15	-123 120-0126 0	1	Needle, high speed				
16	-123 121-0393 0	1	Spring, idle needle				
17	-123 118-0652 0	1	Needle, idle				
18	-123 113-0393 0	1	Spring, throttle return				
19	-123 117-0502 0	1	Shaft ass'y, throttle				

Remarks:  
\* Consisting of 1 thru 32.