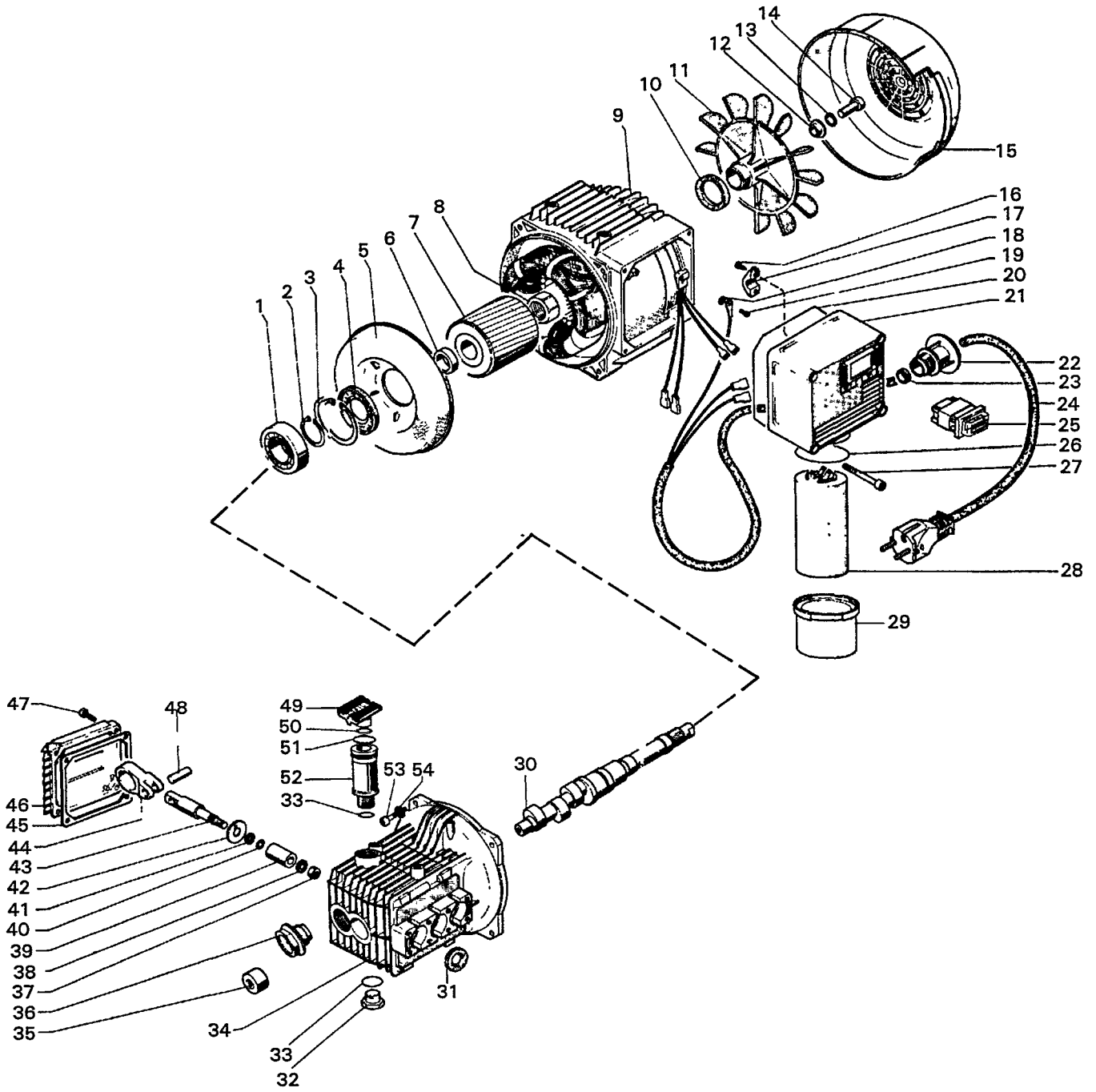




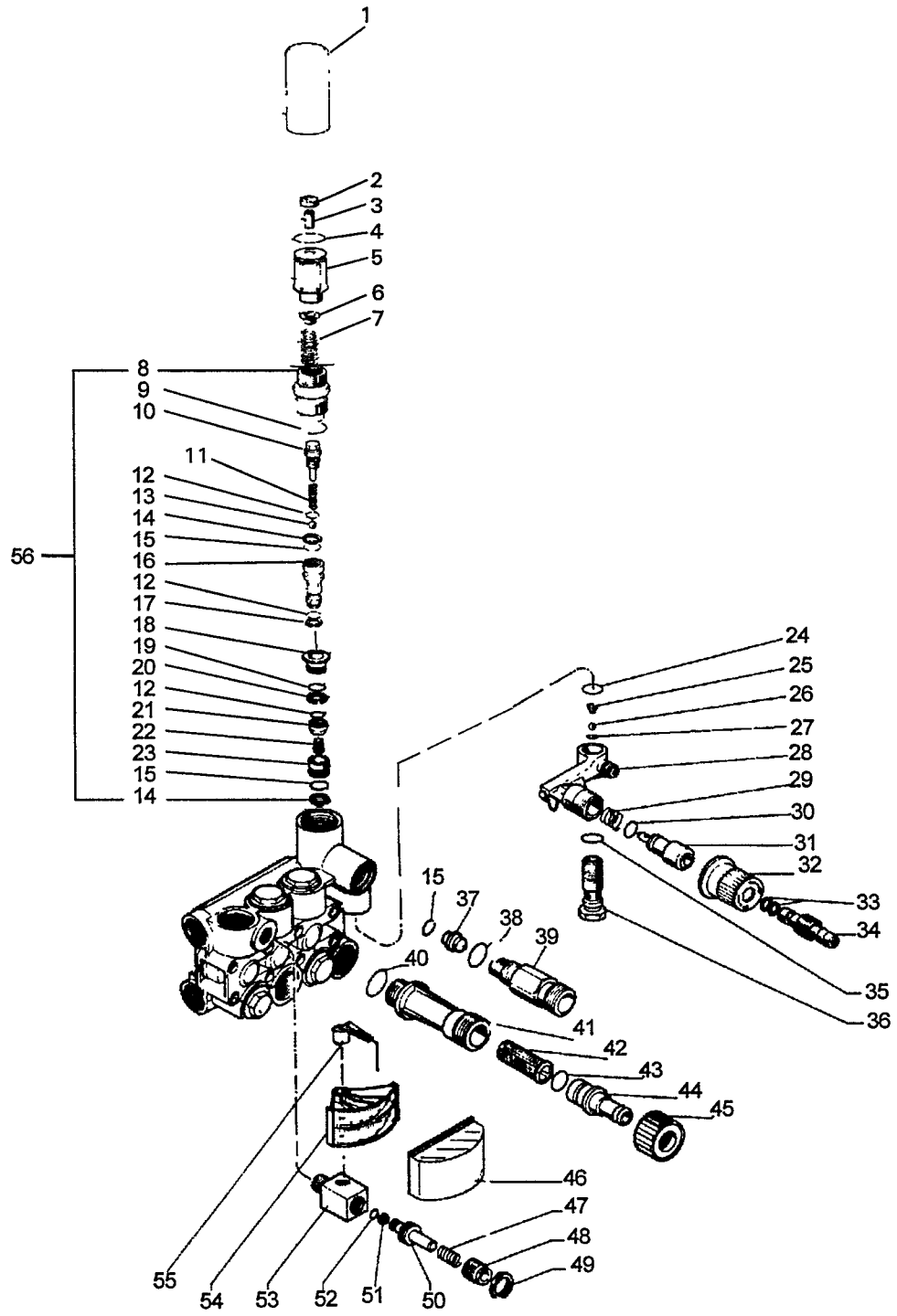
**PRESSURE WASHER
PARTS CATALOG
MODEL HPP-1890
1991 MODELS
SERIAL NUMBER N/A
(GRAY W/RED CARRY HANDLE)**

**ECHO, INCORPORATED
400 OAKWOOD ROAD
LAKE ZURICH, IL 60047**

**99922202599
03/96**

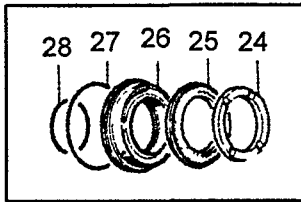
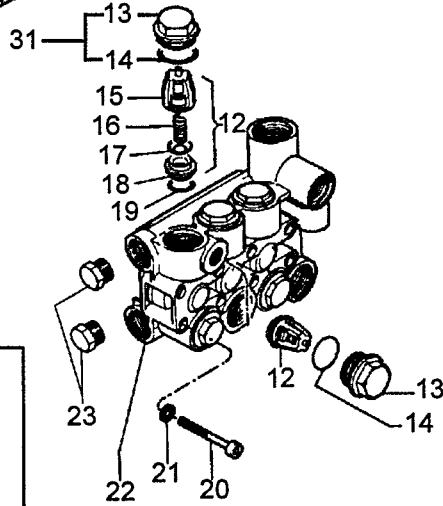
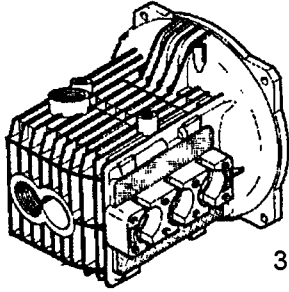
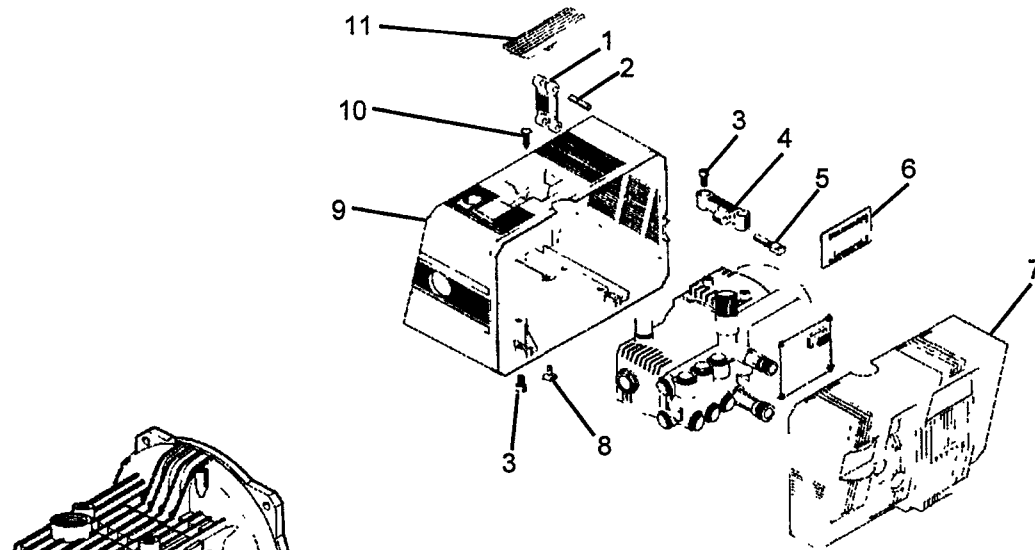


KEY	PART NUMBER	QTY	DESCRIPTION	REMARKS
1	7391837300	1	BEARING	
2	7390066700	1	RING, SNAP, CRANKSHAFT	
3	7390085000	1	RING, SNAP	
4	7390165000	1	SEAL, OIL	
5	7345208551	1	COVER, MOTOR	
6	7345212670	1	SPACER	
7	7345337002	1	ROTOR	
8	7392266000	1	NUT, M22	
9	7345327002	1	STATOR	
10	7390163200	1	SEAL	
11	7345030051	1	FAN	
12	7345212570	1	PLATE	
13	7396701400	1	WASHER	
14	7399305900	1	SCREW, M8 X 20	
15	7345040051	1	COVER, FAN	
16	7399145000	2	SCREW	
17	7345211951	1	CLAMP	
18	7396691300	1	WASHER	
19	7399151500	1	SCREW, M5 X 12	
20	7390392000	1	O-RING	
21	7345212451	1	COVER, SWITCH	
22	7345212751	1	HOLDER, CABLE	
23	7345212147	1	GROMMET, CORD GRIP	
24	7310720901	1	CABLE, COMPLETE	
25	7393502800	1	SWITCH	
26	7390388900	1	O-RING	
27	7399170500	4	SCREW, M5 X 65	
28	7393568800	1	CAPACITOR	
29	7345212051	1	COVER, CAPACITOR	
30	7355020335	1	CRANKSHAFT	
31	7334008301	1	KIT, OILSEAL	
32	7398210000	1	CAP, OIL DRAIN PLUG	
33	7390383300	2	O-RING	
34	7355010022	1	CRANKCASE	
35	7391801400	1	NEEDLE, BEARING	
36	7397596800	1	INDICATOR, OIL LEVEL	
37	7392221600	3	NUT, M8	
38	7396700800	3	WASHER	
39	7351040009	3	PISTON	
40	7390357200	3	O-RING, VITON	
41	7390502200	3	RING, ANTI-EXTRUSION	
42	7396707000	3	WASHER	
43	7351050056	3	GUIDE, PISTON	
44	7351030022	3	ROD, CONNECTING	
45	7351210184	1	GASKET, COVER	
46	7351160322	1	COVER, CRANKCASE	
47	7399186700	4	SCREW, M6 X 18	
48	7397731000	3	PIN, CONNECTING ROD	
49	7355211051	1	DIPSTICK, OIL	
50	7390382200	1	O-RING, VITON	
51	7390384500	1	O-RING	
52	7355210051	1	SPACER, DIPSTICK	
53	7399189700	4	SCREW, M6 X25	
54	7396693800	4	WASHER	

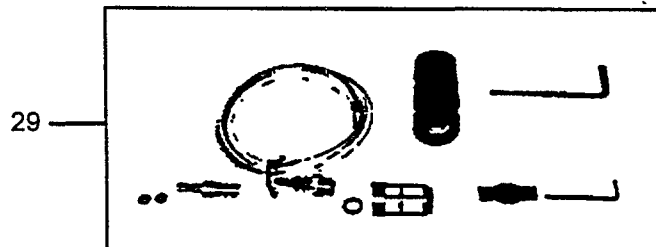
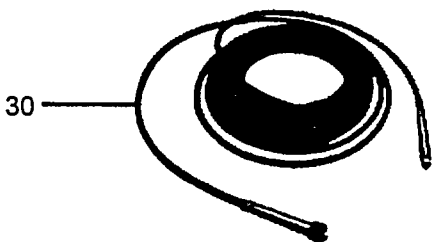


KEY	PART NUMBER	QTY	DESCRIPTION	REMARKS
1	7336318751	1	KNOB, PRESSURE REGULATOR	
2	7392221800	1	NUT, M8	
3	7399303300	1	SCREW, M8 X 16	
4	7390359800	1	O-RING	
5	7336318570	1	SCREW, PRESSURE SET	
6	7336316970	1	PLATE, SPRING	
7	7394743600	1	SPRING	
8	7336318470	1	BUSHING, GUIDE	INCLUDED IN KIT 7334000102
9	7390384700	7	O-RING	
10	7336318870	1	STOPPER, STROKE	
11	7394733200	1	SPRING	
12	7390357500	3	O-RING	
13	7397480000	1	BALL, 9/32"	
14	7390506500	2	RING, ANTI-EXTRUSION	
15	7390382200	3	O-RING, VITON	
16	7336318970	1	PISTON, CONTROL	
17	7390502500	1	RING, ANTI-EXTRUSION	
18	7336316570	1	GUIDE, VALVE	
19	7390358900	1	O-RING	
20	7390507500	1	RING, ANTI-EXTRUSION	
21	7336319066	1	VALVE, BALL	
22	7399150900	1	SCREW, M5 X .8 X 7.5	
23	7336316466	1	SEAT, VALVE	
24	7390358200	1	O-RING	
25	7394821700	1	SPRING, TAPER	
26	7397478200	1	BALL	
27	7390357200	1	O-RING, VITON	
28	7336318151	1	INJECTOR BODY	
29	7394738300	1	SPRING	
30	7390358000	1	O-RING, VITON	
31	7336256470	1	SHUTTER, INJECTOR	
32	7336256551	1	KNOB, CHEMICAL REGULATOR	
33	7390357000	2	O-RING	
34	7336256670	1	FITTING, HOSE BARB	
35	7390358500	1	O-RING	
36	7336256370	1	SEAT, CHEMICAL VALVE	
37	7310030766	1	NOZZLE	
38	7390383200	1	O-RING, VITON	
39	7310014770	1	NIPPLE	
40	7390384100	1	O-RING	
41	7336318251	7	NIPPLE	
42	7392892500	1	FILTER	
43	7390382800	1	O-RING	
44	7336256970	1	FITTING, HOSE, BARB	
45	7392982800	1	NUT, RING	
46	7310041551	1	COVER	
47	7394733800	1	SPRING	
48	7336258070	1	SCREW, M14 X 1	
49	7392249200	1	NUT, M14	
50	7336257970	1	PISTON	
51	7390500700	1	RING, BACK-UP	
52	7390356800	1	O-RING, VITON	
53	7310041270	1	BODY	
54	7310042201	1	DIAL	
55	7310041901	1	INDICATOR	
56	7334000102	1	KIT, UNLOADER	INCLUDES ITEMS 8 - 23
*57	7334009401	1	KIT, CONTROL SET	INCLUDES ITEMS 15, 24-27,29,30,33,35,38

*NOT SHOWN



32

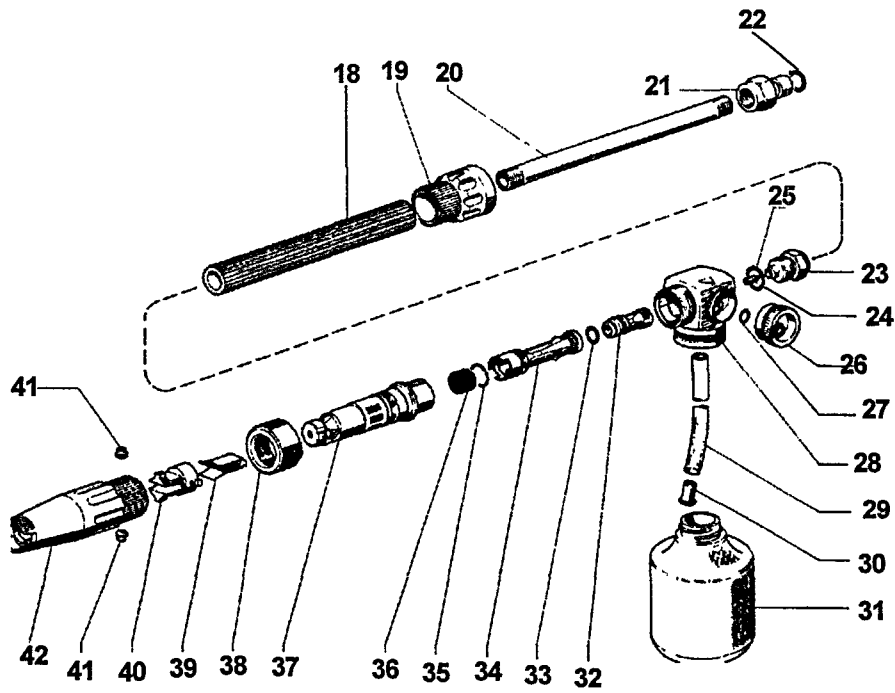
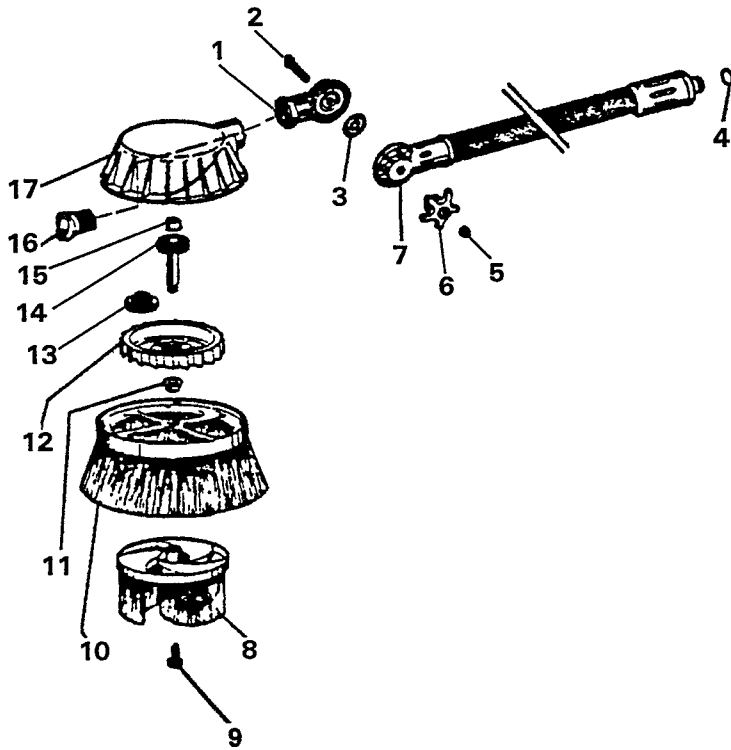


KEY	PART NUMBER	QTY	DESCRIPTION	REMARKS
1	7355240751	1	ARM, HANDLE	
2	7397620000	1	PIN, 8.5 X 34	
3	7399303900	6	SCREW, M8 X 16	
4	7355240251	1	PLATE	
5	7355240451	1	SHAFT	
6	7355235051	1	PLATE, ON-OFF	
7	7355230151	1	COVER, FRONT	
8	7398192400	4	PLUG	
9	7355230451	1	COVER, REAR	
10	7399147400	1	SCREW, M4.8 X 13	
11	7355240351	1	HANDLE	
12	7334000101	6	KIT, VALVE	INCLUDES ITEMS 15 - 19
13	7398221800	6	CAP	INCLUDED IN KIT 7334008401
14	7390384700	6	O-RING	INCLUDED IN KIT 7334008401
15	7336200251	6	GUIDE, VALVE	
16	7394737600	6	SPRING	
17	7336200176	6	PLATE, VALVE	
18	7336200366	6	SEAT, VALVE	
19	7390384100	6	O-RING	
20	7399194300	8	SCREW, M6 X 40	
21	7396693800	8	WASHER	
22	7355120122	1	MANIFOLD	
23	7398210000	2	CAP	
24	7351100051	3	RING, HEAD	INCLUDED IN KIT 7334008501 & 7334008701
25	7390261800	3	PACKING	INCLUDED IN KIT 7334008501 & 7334008701
26	7351080070	3	RETAINING, PACKING	INCLUDED IN KIT 7334008501
27	7390360400	3	O-RING	INCLUDED IN KIT 7334008501 & 7334008701
28	7390383500	3	O-RING	INCLUDED IN KIT 7334008501 & 7334008701
29	7355640501	1	ACCESSORY KIT	
30	731161005	1	HOSE, 8M	
31	7334008401	6	KIT, VALVE CAP	INCLUDES ITEMS 13 & 14
32	7334008501	3	KIT, PACKING, COMPLETE	INCLUDES ITEMS 24 - 28
*33	7334008701	3	KIT, PACKING	INCLUDES ITEMS 24, 25, 27, 28

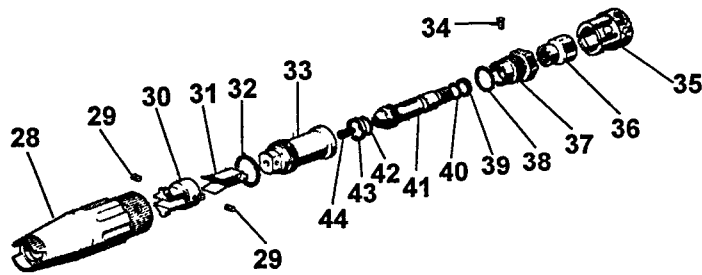
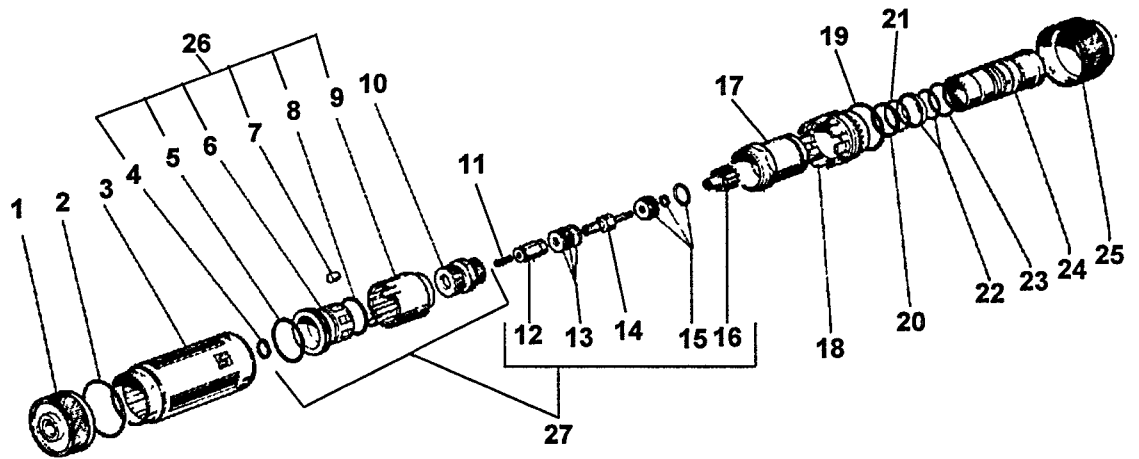
* NOT SHOWN

ACCESSORIES

REFER TO FRAMES A9 THRU B2



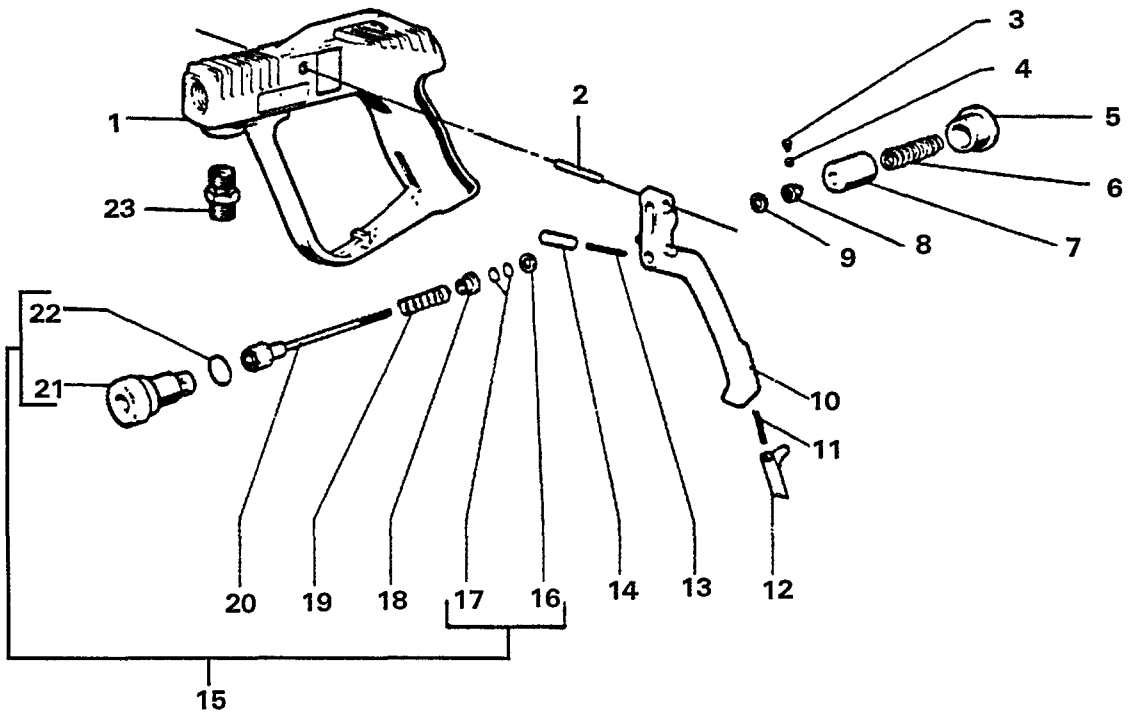
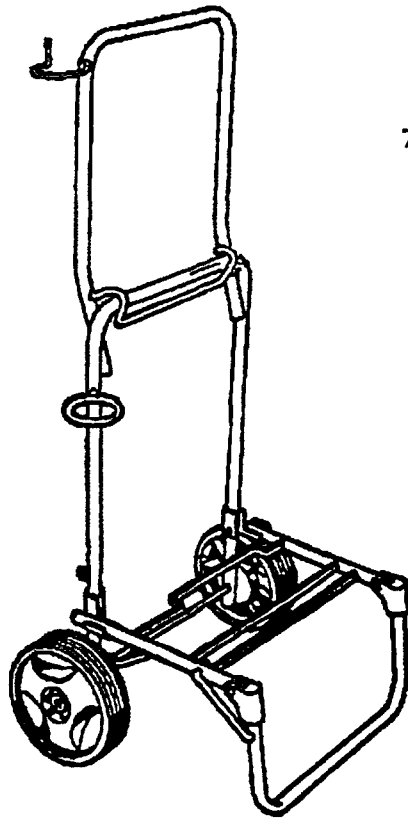
KEY	PART NUMBER	QTY	DESCRIPTION	REMARKS
	99944800010	1	BRUSH KIT	INCLUDES ITEMS 1 - 17
1	7319000151	1	CONNECTOR, ADJUSTABLE	
2	7399194500	1	SCREW, M6 X 40	
3	7319001347	1	GASKET, CONNECTOR	
4	7390382000	1	O-RING	
5	7392201800	1	NUT, M6	
6	7319000851	1	KNOB, REGULATING	
7	7319700801	1	HAND GRIP, BRUSH	
8	7319001002	1	BRUSH, ROTATING	
9	7399084000	1	SCREW, 6P X 13	
10	7319000602	1	BRUSH, FIXED	
11	7319001751	1	BUSHING	
12	7319001451	1	TURBINE	
13	7319001551	1	GEAR	
14	7319001602	1	SHAFT, GEAR	
15	7319001893	1	BUSHING	
16	7319001151	1	NOZZLE, 3.85	
17	7319001202	1	COVER	
	99944800040	1	FOAM KIT N021	INCLUDES ITEMS 18 - 42
18	7318010698	1	GRIP, HANDLE	
19	7310029551	1	NUT, RING	
20	7318203389	1	TUBE	
21	7310029770	1	COUPLING, MALE	
22	7390382000	1	O-RING	
23	7310029170	1	NIPPLE	
24	7398667400	1	NOZZLE	
25	7390359300	1	O-RING	
26	7310028951	1	KNOB, REGULATING	
27	7390357400	1	O-RING	
28	7310028851	1	BODY	
29	7310029298	1	TUBE	
30	7392891400	1	FILTER	
31	7310027651	1	CONTAINER, 5 LITER	
32	7310028551	1	TUBE	
33	7390358000	1	O-RING	
34	7310028651	1	TUBE	
35	7390358900	1	O-RING	
36	7310027036	1	FILTER	
37	7310029051	1	CYLINDER	
38	7392983600	1	NUT	
39	7310030476	1	BLADE	
40	7310029951	1	HOLDER, BLADE	
41	7398191600	2	CAP	
42	7310030051	1	KNOB, REGULATING	



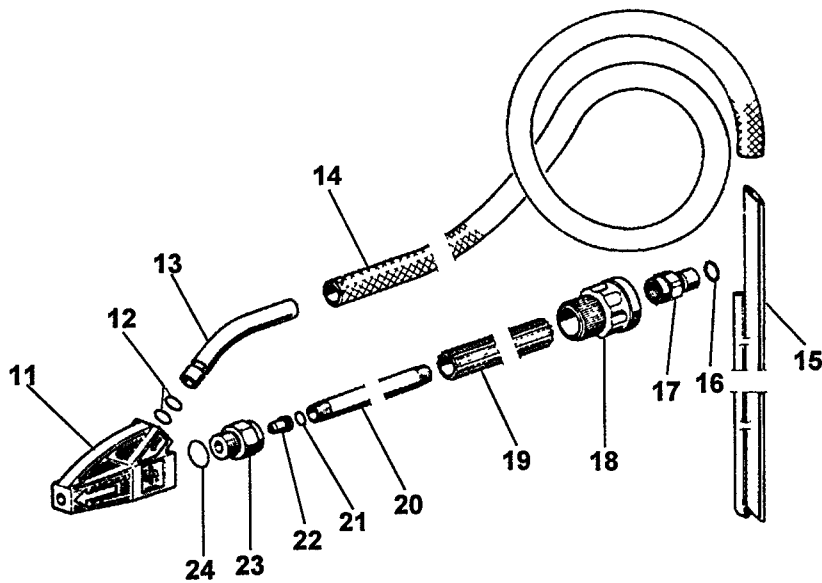
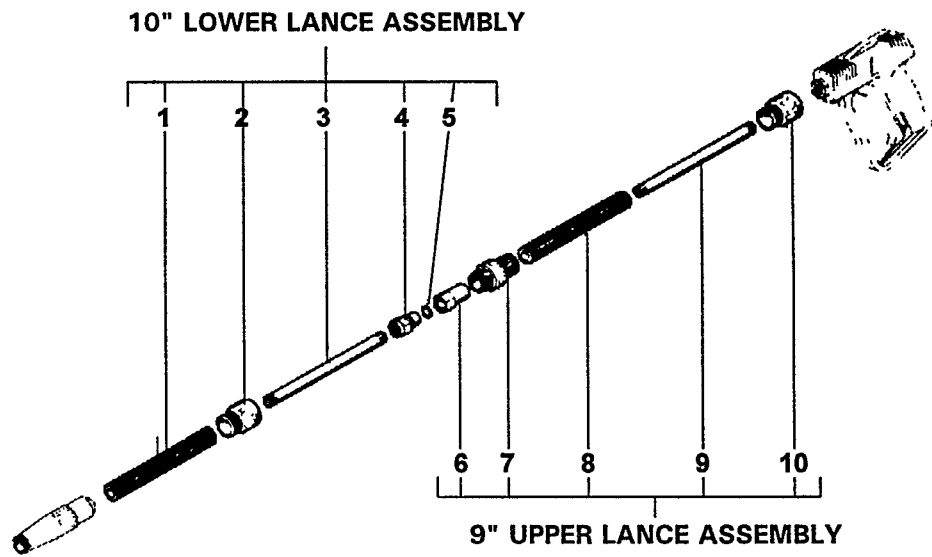
KEY	PART NUMBER	QTY	DESCRIPTION	REMARKS
	9999999988	1	NOZZLE ASY, CPT., ROTOX	ORDER SEPARATE PARTS
1	7310039651	1	CAP, FRONT	
2	7390361400	1	O-RING	
3	7310039551	1	KNOB, ADJUSTMENT	
4	7390053900	1	RING, SNAP	
5	7390360600	1	O-RING	
6	-----	1	ROTOR (INCLUDED IN KITS 7311610010 & 7311610011)	
7	-----	6	ROLLER BEARING (INCLUDED IN KITS 7311610010 & 7311610011)	
8	7390384700	1	O-RING	
9	7310040051	1	CLUTCH	
10	7310040470	1	NUT, RING	
11	7398667400	1	NOZZLE, RED	
12	7310040370	1	HOLDER, NOZZLE	
13	7391772200	1	BEARING	
14	7310040270	1	CRANKSHAFT	
15	7310719101	1	SEAL ASY	
16	7310041001	1	ROTOR	
17	7310040670	1	CYLINDER, DIFFUSER	
18	7310039951	1	DIFFUSER, LOW PRESSURE	
19	7390386300	1	O-RING	
20	7390513600	1	RING, ANTI-EXTRUSION	
21	7390359800	1	O-RING	
22	7390273600	1	SEAL, RING	
23	7390384500	1	O-RING, VITON	
24	7310040570	1	BODY, DIFFUSER	
25	7310039751	1	RING, LOCK	
26	7311610010	1	KIT, (PARTIAL) ROTOX REBUILD	INCLUDES ITEMS 4 - 9
27	7311610011	1	KIT, (COMPL.) ROTOX REBUILD	INCLUDES ITEMS 4 - 10, 12 - 16
	99944800150	1	CAR WASH NOZZLE	
28	7310030051	1	KNOB, REGULATING	
29	7397612700	2	PIN	
30	7310029951	1	HOLDER, BLADE	
31	7310030476	1	BLADE, MULTIREG GUIDE	
32	7390359800	1	O-RING	
33	7310030170	1	CYLINDER	
34	7397612300	1	SCREW	
35	7310030851	1	KNOB, REGULATING	
36	7394513200	1	COUPLING	
37	7310030370	1	NUT, ADJUSTING	
38	7390383200	1	O-RING	
39	7390503300	1	RING, SEALING	
40	7390357700	1	O-RING	
41	7310030270	1	TUBE	
42	7390358200	1	O-RING	
43	7390260000	1	SPACER	
44	7398667400	1	NOZZLE	

99944800081 CART KIT

7396925000 KIT, WHEELS (W/HUB CAPS)



KEY	PART NUMBER	QTY	DESCRIPTION	REMARKS
	730000000	1	GRIP ASY - CPT., SPRAY	INCLUDES ITEMS 1 - 14, 16 - 23
1	7318204602	1	GRIP, BODY	
2	7397615500	1	PIN, CYLINDER	
3	7394821800	1	SPRING	
4	7397480200	1	BALL	
5	7398219000	1	CAP	
6	7394741400	1	SPRING	
7	7318205270	1	GUIDE, SPRING	
8	7318204951	1	NUT, RING	
9	7392194500	1	NUT, M4	
10	7318204851	1	LEVER, COMMAND	
11	7394730300	1	SPRING	
12	7318205051	1	LOCK PIN, SAFETY CATCH	
13	7394730500	1	SPRING	
14	7318205370	1	SHAFT	
15	7311610014	1	KIT, GRIP CONTROL VALVE	INCLUDES ITEMS 16, 17, 20 - 22
16	7390500700	1	RING, ANTI-EXTRUSION	
17	7390356800	2	O-RING, VITON	
18	7318204270	1	GUIDE, SPRING	
19	7394737800	1	SPRING	
20	7318205502	1	SHUTTER ROD ASY	
21	7318205902	1	SEAT, VALVE	
22	7390384100	1	O-RING	
23	7395284000	1	COUPLER	



KEY	PART NUMBER	QTY	DESCRIPTION	REMARKS
	7300000001	1	LANCE ASY - CPT., 10" LOWER	INCLUDES ITEMS 1 - 5
1	7318010698	1	LINING, TUBE	
2	7310029551	1	NUT, RING	
3	7318203389	1	TUBE	
4	7310029770	1	COUPLING, MALE	
5	7390382000	1	O-RING	
	7300000002	1	LANCE ASY - CPT., 9" UPPER	INCLUDES ITEMS 6 - 10
6	7310029870	1	COUPLING, FEMALE	
7	7310029651	1	CONNECTOR	
8	7318010498	1	PROTECTOR, LANCE, FIX-UP	
9	7318203389	1	TUBE	
10	7310029451	1	CONNECTOR	
	99944800060	1	SAND BLAST KIT	INCLUDES ITEMS 11 - 24
11	7310033101	1	NOZZLE, SAND	
12	7390358200	2	O-RING	
13	7310031189	1	CONNECTOR, SAND TUBE	
14	7310032098	1	TUBE, SAND	
15		1	PROBE, SAND	
16	7390382000	1	O-RING	
17	7310029770	1	COUPLING, MALE	
18	7310029551	1	RING	
19	7318010698	1	LINING, TUBE	
20	7318203389	1	TUBE	
21	7380357600	1	O-RING	
22	7310013366	1	NOZZLE, SAND BLASTING	
23	7310012970	1	HOLDER, NOZZLE	
24	7390359300	1	O-RING	

ACCESSORIES

*	99944800070	1	HOSE, 52 FT.
*	99944800090	1	WALL KIT
*	99944800020	1	SOAP FOR BRUSH KIT
	99944800010	1	BRUSH KIT
	99944800081	1	CART KIT
*	99944800110	1	G.F.C.I., PLUG-IN ADAPTER

* NOT SHOWN