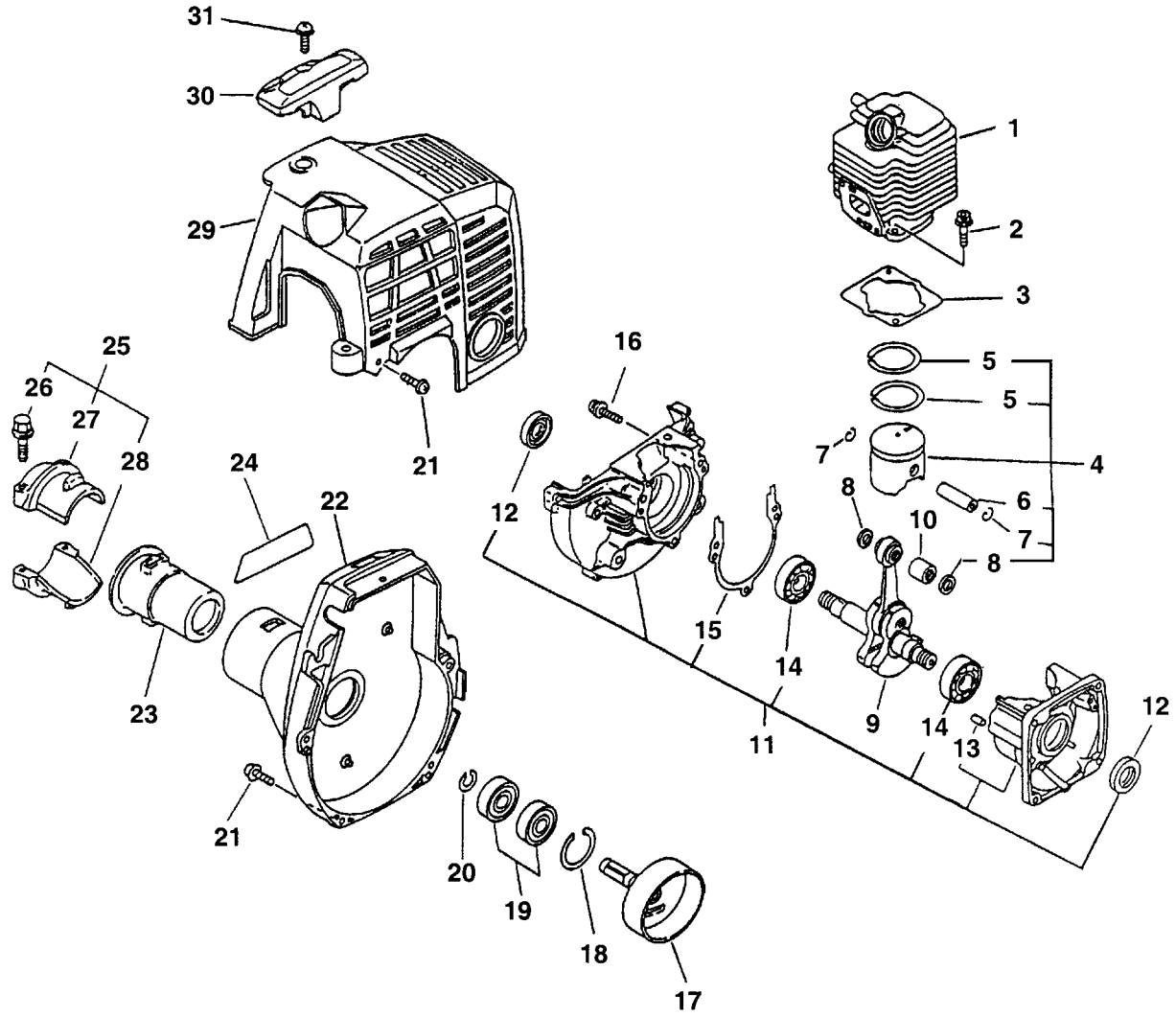




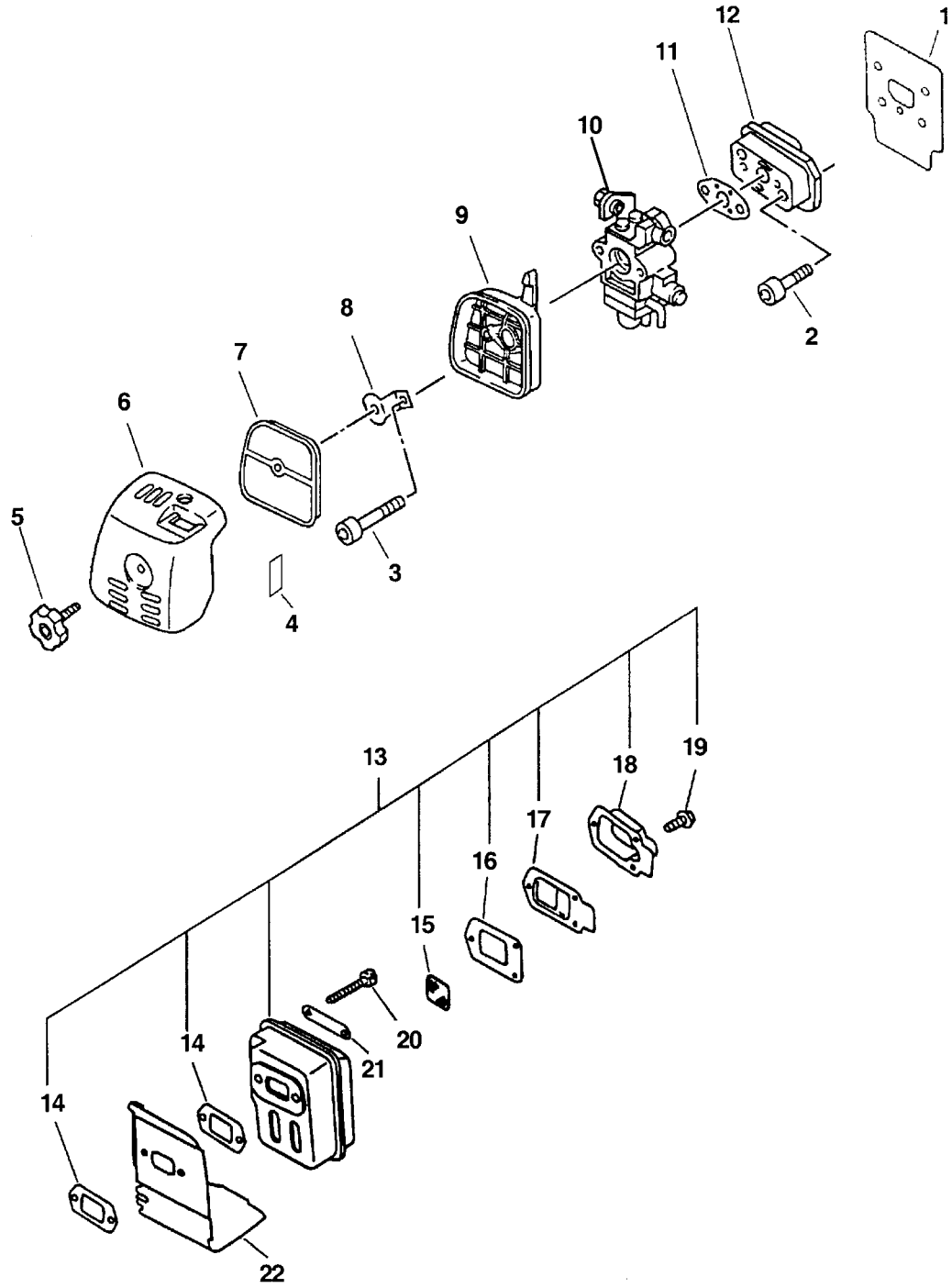
**PRO ATTACHMENT SERIES
PARTS CATALOG
MODEL PAS-2400
TYPE 1E
SERIAL NUMBER 001001 & UP**

**ECHO, INCORPORATED
400 OAKWOOD ROAD
LAKE ZURICH, IL 60047**

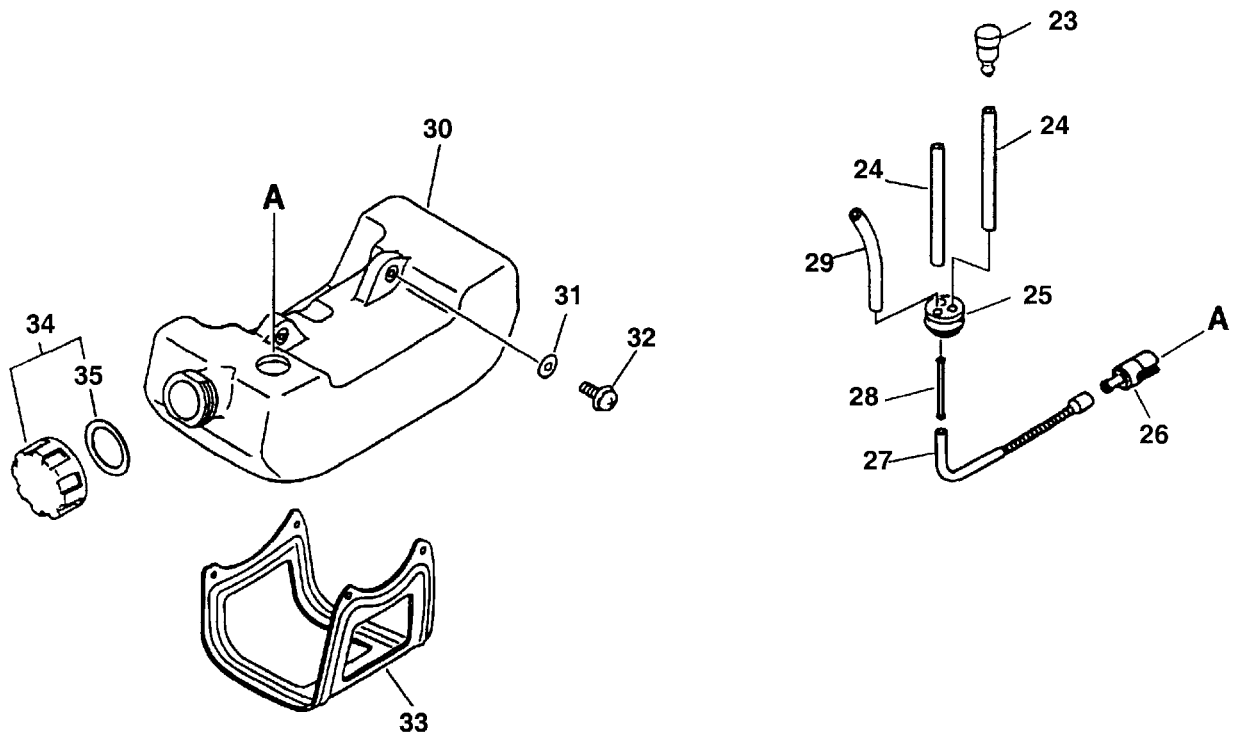
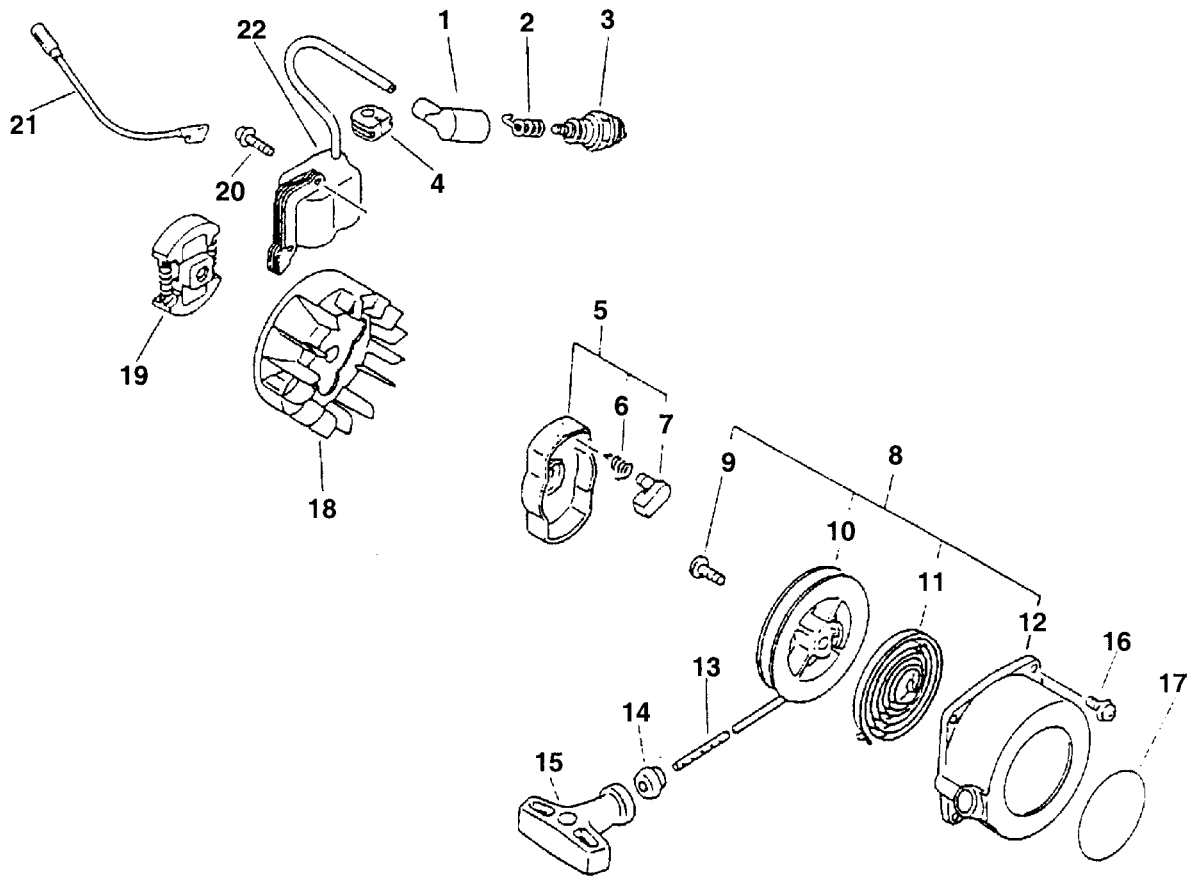
**99922203019
04/99**



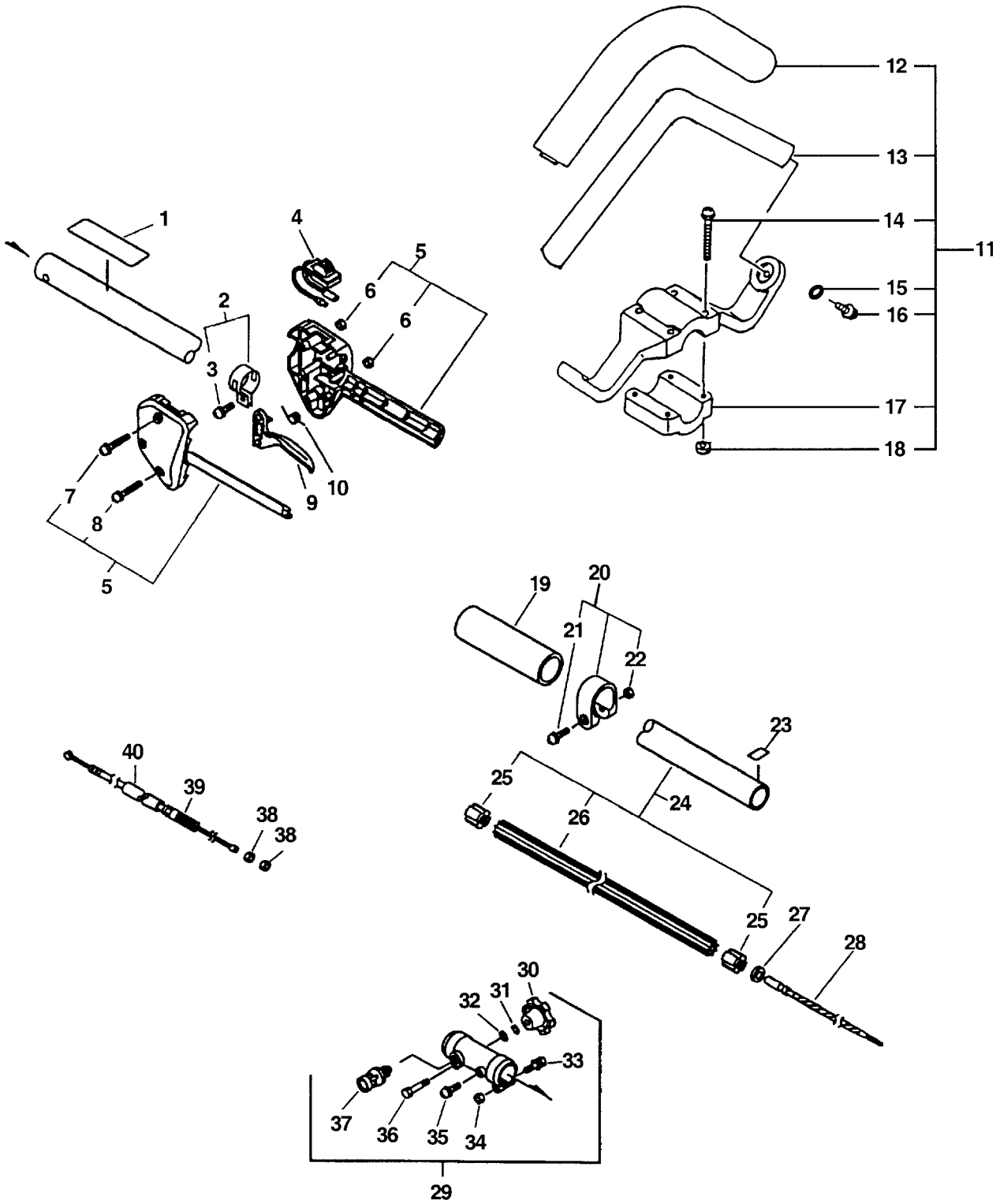
| KEY | PART NUMBER | QTY | DESCRIPTION | REMARKS |
|-----------------------|--------------------|-----|-----------------------|--|
| 1 | 10100308960 | 1 | CYLINDER | |
| 2 | 90016205022 | 2 | BOLT, H.S. 5X22 | |
| 3 | 10101044332 | 1 | GASKET, CYLINDER BASE | INCLUDED IN KIT 88900044431 |
| 4 | 10000009563 | 1 | PISTONKIT | INCLUDES ITEMS 5 - 8 |
| 5 | 10001109560 | 2 | RING, PISTON | |
| 6 | 10001311520 | 1 | PIN, PISTON | |
| 7 | 10001504630 | 2 | CIRCLIP, PISTONPIN | |
| 8 | 10001411520 | 2 | SPACER, PISTONPIN | |
| 9 | ----- | 1 | CRANKSHAFT | USE SB1027 |
| 10 | 10001251230 | 1 | BEARING, NEEDLE | |
| 11 | ----- | 1 | CRANKCASE KIT | USE SB1027 |
| 12 | 10021242030 | 2 | OILSEAL | |
| 13 | 10021503930 | 2 | PIN, DOWEL | |
| 14 | 90081036201 | 2 | BEARING, BALL 6201 | |
| 15 | ----- | 1 | GASKET, CRANKCASE | INCLUDED IN KIT 88900044431 |
| 16 | 90016205028 | 3 | BOLT 5X28 | |
| 17 | 17500548931 | 1 | DRUM, CLUTCH | |
| 18 | 90070200028 | 1 | CIRCLIP 28 | |
| 19 | 90080796001 | 2 | BEARING, BALL 6001 | |
| 20 | 90070100012 | 1 | CIRCLIP 12 | |
| 21 | 90016204016 | 6 | BOLT 4X16 | |
| 22 | 10150352131 | 1 | COVER ASY, FAN | |
| 23 | 61091055230 | 1 | CUSHION | |
| 24 | 89011266230 | 1 | LABEL, MODEL | |
| 25 | 61090355230 | 1 | HOLDER KIT | INCLUDES ITEMS 26 - 28 |
| 26 | 90014205025 | 2 | BOLT 5X25 | |
| 27 | 61092227432 | 1 | HOLDER | |
| 28 | 61092355230 | 1 | HOLDER | |
| 29 | 10151448930 | 1 | COVER, CYLINDER | |
| 30 | 15991254130 | 1 | GUARD, TOP | |
| 31 | 90023805016 | 1 | SCREW 5X16 | |
| <u>ENGINE REPOWER</u> | | | | |
| | SB1027 | 1 | SHORT BLOCK | INCLUDES FACTORY ASSEMBLED CYLINDER, CRANKCASE, PISTON, CRANKSHAFT, BEARINGS & SEALS |
| | 88900044431 | 1 | GASKET KIT | INCLUDES THE FOLLOWING |
| | 10101044332 | 1 | GASKET, CYLINDER BASE | |
| | ----- | 1 | GASKET, CRANKCASE | |
| | 13001044431 | 1 | GASKET, INTAKE | |
| | 13001042032 | 1 | GASKET, INTAKE | |
| | 13001642031 | 1 | GASKET, INTAKE | |
| | 14551042031 | 2 | GASKET, MUFFLER | |
| | 14586642031 | 1 | GASKET, MUFFLER LID | |
| | 61041401260 | 1 | GASKET, GEAR HOUSING | |



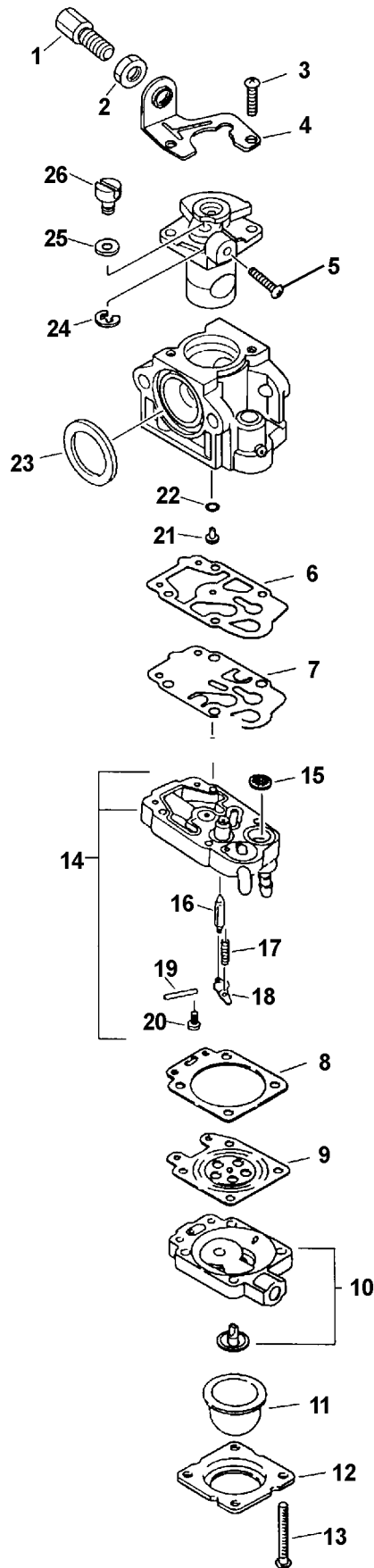
| KEY | PART NUMBER | QTY | DESCRIPTION | REMARKS |
|-----|--------------------|-----|---------------------|-----------------------------|
| 1 | 13001042032 | 1 | GASKET, INTAKE | INCLUDED IN KIT 88900044431 |
| 2 | 90016205025 | 2 | BOLT, H.S. 5X25 | |
| 3 | 90024205065 | 2 | SCREW 5X65 | |
| 4 | 89012152730 | 1 | LABEL, CHOKE | |
| 4 | 89033252730 | 1 | LABEL, CHOKE | CANADIAN MODELS ONLY |
| 5 | 13040652130 | 1 | KNOB, FASTENER | |
| 6 | 13031357731 | 1 | LID, CLEANER | |
| 7 | 13031051830 | 1 | FILTER, AIR | USE KIT 90030 |
| 8 | 12901157730 | 1 | PLATE, PREVENT | |
| 9 | 13030757730 | 1 | CASE, AIR CLEANER | |
| 10 | 12300051730 | 1 | CARBURETOR WYJ-220 | |
| 11 | 13001013410 | 1 | GASKET, INTAKE | USE GASKET KIT 88900044431 |
| 12 | 13001744330 | 1 | INSULATOR | |
| 13 | 14580052630 | 1 | MUFFLER ASY | INCLUDES ITEMS 14 - 19 |
| 14 | 14551042031 | 2 | GASKET, MUFFLER | INCLUDED IN KIT 88900044431 |
| 15 | 14586240630 | 1 | SCREEN, MUFFLER | |
| 16 | 14586642031 | 1 | GASKET, MUFFLER LID | INCLUDED IN KIT 88900044431 |
| 17 | 14581852130 | 1 | GUIDE, EXHAUST | |
| 18 | 14587642030 | 1 | LID, MUFFLER | |
| 19 | 90023804010 | 3 | SCREW 4X10 | |
| 20 | 90010505055 | 2 | BOLT, H.S. 5X55 | |
| 21 | 14564204930 | 1 | WASHER 5 | |
| 22 | 14587144331 | 1 | COVER, MUFFLER | |



| KEY | PART NUMBER | QTY | DESCRIPTION | REMARKS |
|-----|-------------|-----|-------------------------|---|
| 1 | 15901201620 | 1 | CAP, SPARK PLUG | |
| 2 | 15901103432 | 1 | COIL, SPARK PLUG CAP | |
| 3 | 99944500071 | 1 | PLUG, SPARK BPM-7Y | |
| 3 | 15901710230 | 1 | PLUG, SPARK RCJ-7Y | CANADIAN MODELS ONLY |
| 4 | 15611240630 | 1 | GROMMET | |
| 5 | 17720244330 | 1 | PAWL ASY, STARTER | INCLUDES ITEMS 6 & 7 |
| 6 | 17723442030 | 1 | SPRING, RETURN | |
| 7 | 17721844330 | 1 | PAWL, STARTER | |
| 8 | 17720042033 | 1 | STARTER ASY | INCLUDES ITEMS 9 - 15 |
| 9 | 17723644330 | 1 | SCREW | |
| 10 | 17721544430 | 1 | DRUM, STARTER | |
| 11 | 17722042030 | 1 | SPRING, REWIND | |
| 12 | 17723242032 | 1 | CASE, STARTER | |
| 13 | ----- | 1 | ROPE, STARTER | USE BULK ROPE 999444 00040 DIA. 3MM (.12 IN.) X 890MM (35.0 IN.) |
| 14 | 17722742030 | 1 | GUIDE, ROPE | |
| 15 | 17722806530 | 1 | GRIP, STARTER | |
| 16 | 90016204016 | 2 | BOLT, H.S. 4X16 | |
| 17 | 89011849130 | 1 | LABEL, BRAND | |
| 18 | 15680144731 | 1 | FLYWHEEL | |
| 19 | 17500056830 | 1 | CLUTCH ASY | |
| 20 | 90016204022 | 2 | BOLT, H.S. 4X22 | |
| 21 | 16201052830 | 1 | LEAD | |
| 22 | 15660152130 | 1 | COIL, IGNITION W/O LEAD | |
| 23 | 13130040630 | 1 | VENT ASY | INCLUDED IN KIT 90010 |
| 24 | 13131239130 | 2 | PIPE 3X5X70L | |
| 25 | 13211546730 | 1 | GROMMET | |
| 26 | 13120507320 | 1 | STRAINER, FUEL | INCLUDED IN KIT 90030 |
| 27 | 13201212360 | 1 | PIPE, FUEL | |
| 28 | 13201103360 | 1 | CONNECTOR, FUEL PIPE | |
| 29 | 13201056330 | 1 | PIPE 3X6X90 | |
| 30 | 13100546830 | 1 | TANK, FUEL | |
| 31 | 90060300005 | 2 | WASHER 5 | |
| 32 | 90023805016 | 2 | SCREW 5X16 | |
| 33 | 30511042030 | 1 | STAND | |
| 34 | 13100455830 | 1 | CAP ASY, FUEL TANK | INCLUDES ITEM 35 (INCLUDED IN KIT 90010) |
| 35 | 13101655830 | 1 | GASKET, FUEL CAP | |



| KEY | PART NUMBER | QTY | DESCRIPTION | REMARKS |
|-----------|--------------------|----------|-------------------------------|-------------------------------|
| 1 | 89022809560 | 1 | LABEL, CAUTION | |
| 2 | 30120029430 | 1 | BAND ASY | INCLUDES ITEM 3 |
| 3 | 90024205014 | 1 | SCREW 5X14 | |
| 4 | 16340155630 | 1 | SWITCH, IGNITION | |
| 5 | 17800352130 | 1 | BRACKET SET, THROTTLE | INCLUDES ITEMS 6-8 |
| 6 | 90050000005 | 2 | NUT 5 | |
| 7 | 90024205035 | 1 | SCREW 5X35 | |
| 8 | 90024205025 | 1 | SCREW 5X25 | |
| 9 | 17801052130 | 1 | CONTROL, THROTTLE | |
| 10 | 17804342230 | 1 | SPRING, THROTTLE RETURN | |
| 11 | P021000000 | 1 | HANDLE ASY, FRONT | INCLUDES ITEMS 12 - 18 |
| 12 | 35121666230 | 1 | GRIP, FRONT HANDLE | |
| 13 | 35120566230 | 1 | HANDLE, FRONT | |
| 14 | 90024205035 | 4 | SCREW 5X35 | |
| 15 | 90060000005 | 2 | WASHER | |
| 16 | 88995021060 | 2 | SCREW | |
| 17 | 35122507130 | 1 | BRACKET, HANDLE | |
| 18 | 90050000005 | 4 | NUT 5 | |
| 19 | 35121352130 | 1 | GRIP, REAR HANDLE | |
| 20 | 61027252130 | 1 | BAND | INCLUDES ITEMS 21 & 22 |
| 21 | 90024205028 | 1 | SCREW 5X28 | |
| 22 | 90050000005 | 1 | NUT 5 | |
| 23 | 89015204930 | 1 | LABEL, LOCATION | |
| 24 | 61020656730 | 1 | HOUSING ASY, D. SHAFT (UPPER) | INCLUDES ITEMS 25 & 26 |
| 25 | 61024644730 | 2 | STOPPER | |
| 26 | 61021756730 | 1 | LINER, FLEXIBLE (UPPER) | |
| 27 | 10025156630 | 1 | CUSHION | |
| 28 | 61001355630 | 1 | SHAFT, FLEXIBLE (UPPER) | |
| 29 | 61060156730 | 1 | BRACKET ASY | INCLUDES ITEMS 30 - 37 |
| 30 | 35232527630 | 1 | LOCKNUT | |
| 31 | 90060500005 | 1 | WASHER, SPRING 5 | |
| 32 | 90060000005 | 1 | WASHER 5 | |
| 33 | 90014205030 | 1 | BOLT 5X30 (W/W, SW) | |
| 34 | 90050000005 | 1 | NUT 5 | |
| 35 | 90024205012 | 1 | SCREW 5X12 | |
| 36 | 90010005035 | 1 | BOLT 5X35 | |
| 37 | 17830256630 | 1 | LATCH ASY | |
| 38 | 90050200006 | 2 | NUT 6 | |
| 39 | 17800156730 | 1 | WIRE, THROTTLE | |
| 40 | 17812752130 | 1 | TUBE | |



| KEY | PART NUMBER | QTY | DESCRIPTION | REMARKS |
|-----|--------------------|-----|----------------------------|------------------------------|
| | 12300051730 | 1 | CARBURETOR WYJ-220 | INCLUDES THE FOLLOWING ITEMS |
| 1 | 12316156431 | 1 | SCREW, ADJUSTER | |
| 2 | 12315356430 | 1 | NUT, ADJUSTER | |
| 3 | 12311440630 | 2 | SCREW | |
| 4 | 12312854230 | 1 | BRACKET, IDLE ADJUST | |
| 5 | 12313440030 | 1 | SCREW, IDLE ADJUST | |
| 6 | A B | 1 | GASKET, PUMP | |
| 7 | A B | 1 | DIAPHRAGM, PUMP | |
| 8 | A B | 1 | GASKET, METERING DIAPHRAGM | |
| 9 | A B | 1 | DIAPHRAGM, METERING | |
| 10 | 12318005560 | 1 | BODY, AIR PURGE | |
| 11 | 12318140630 | 1 | PUMP, PURGE | |
| 12 | 12314205560 | 1 | COVER, PURGE PUMP | |
| 13 | 12311005560 | 4 | SCREW, PUMP COVER | |
| 14 | 12317905560 | 1 | BODY ASY, PUMP | INCLUDES ITEMS 15 - 20 |
| 15 | A | 1 | SCREEN, INLET | |
| 16 | A | 1 | VALVE, INLET NEEDLE | |
| 17 | 12312205560 | 1 | SPRING, METERING LEVER | |
| 18 | A | 1 | LEVER, METERING | |
| 19 | 12313803930 | 1 | PIN, METERING LEVER | |
| 20 | 12313905560 | 1 | SCREW, METERING LEVER PIN | |
| 21 | 12318451730 | 1 | JET, MAIN | |
| 22 | 12318340630 | 1 | O-RING | |
| 23 | A B | 1 | RING, PACKING | |
| 24 | 12317307930 | 1 | CLIP | |
| 25 | 12314954230 | 1 | WASHER | |
| 26 | 12317245130 | 1 | SWIVEL | |
| A | 12310057730 | 1 | REPAIR KIT | |
| B | 12310157730 | 1 | DIAPHRAGM/GASKET KIT | |