



OPTIONAL ATTACHMENTS & ACCESSORIES

Accessories

99944200201 GT Shoulder Harness Kit

Cutting Heads

215311 Maxi-Cut Head

21560040 ECHOMATIC Single Line Head

21560056 2-Line Rapid Loader Trimmer Head

Maintenance and Repair Kits

90074 RePower Tune-Up Kit

P021010220 Gasket Kit

PARTS CATALOG
GT-200i Trimmer

21.2cc

SERIAL NUMBERS

S/N: S65211001001 - S65211999999

ECHO, INCORPORATED

400 Oakwood Road Lake Zurich, Illinois 60047 USA

WWW.ECHO-USA.COM



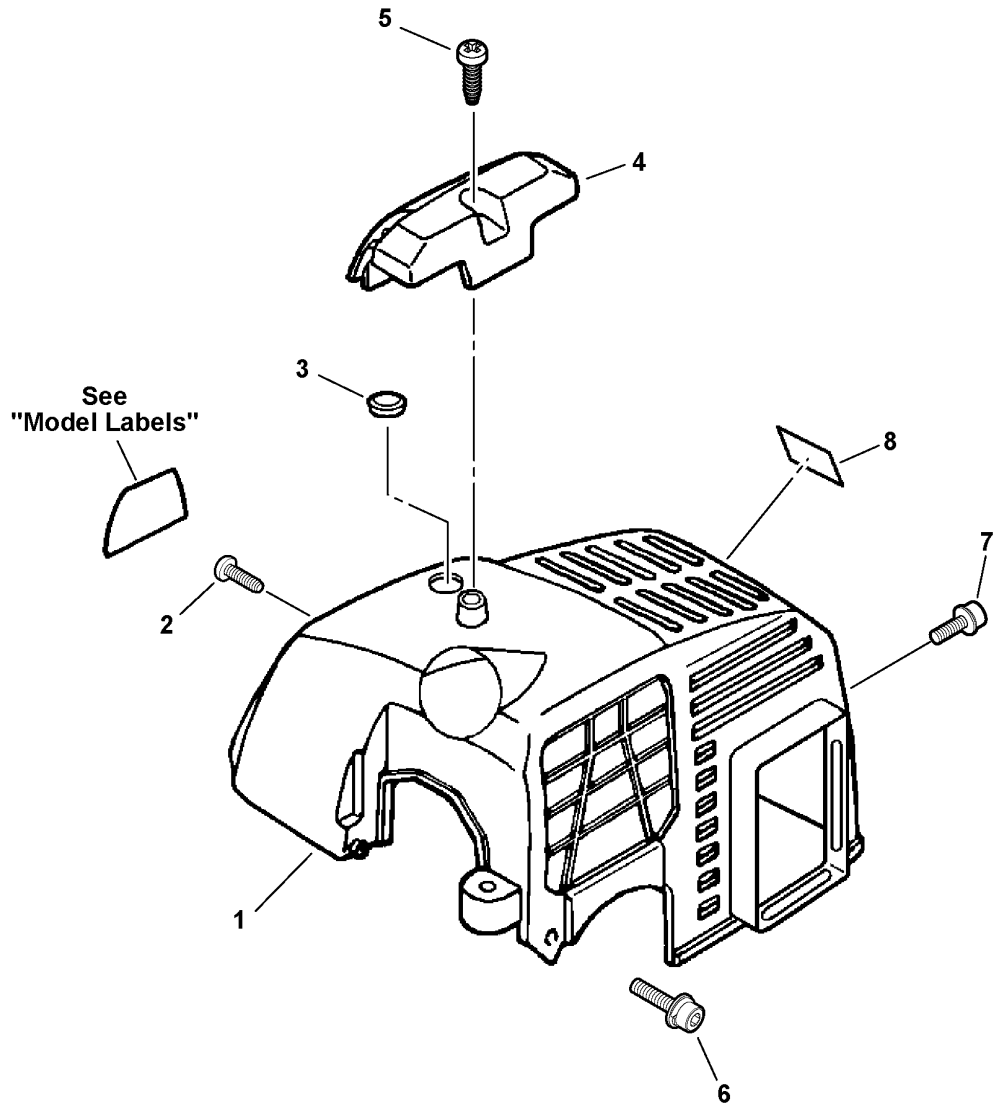
Table of Contents

Click Any Diagram Description Below To View That Diagram.

GT-200i S/N: S65211001001 - S65211999999

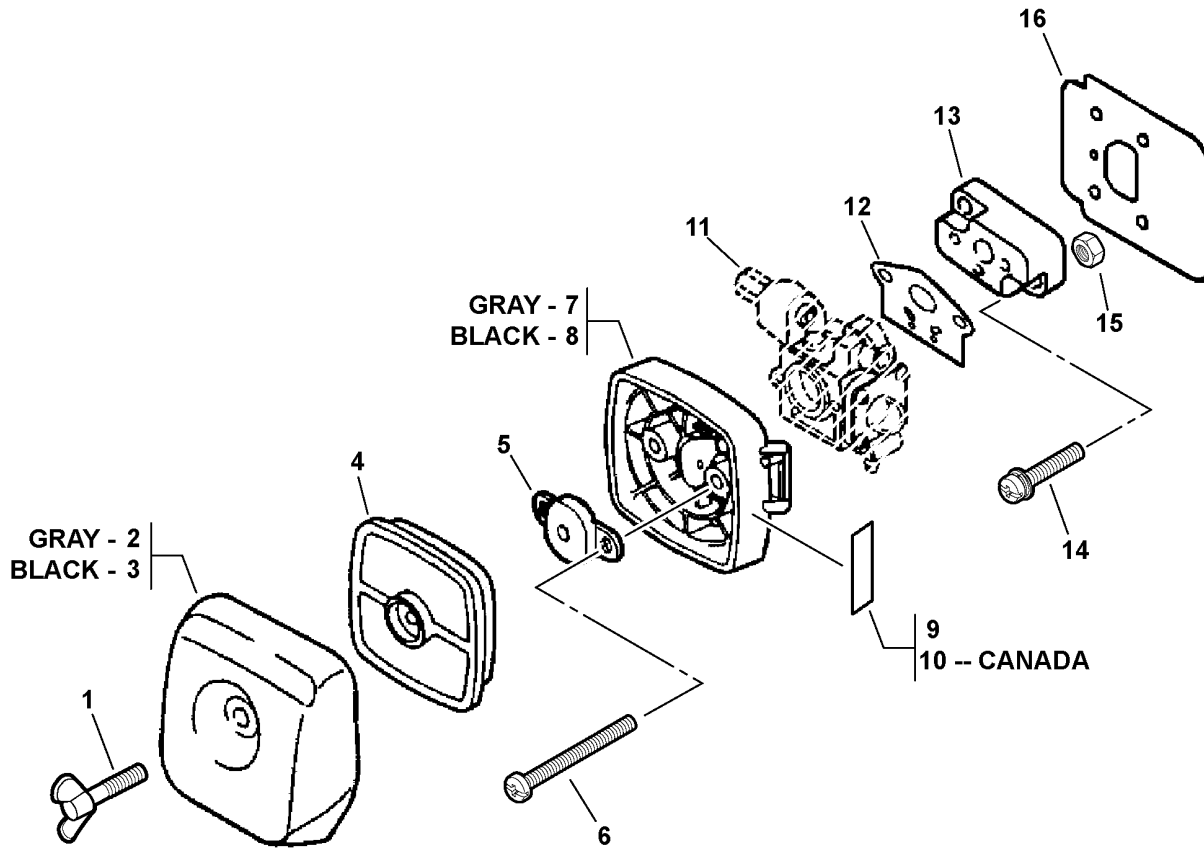
Cylinder Cover.....	4
Intake.....	6
Carburetor -- RB-K75.....	8
Exhaust.....	10
Fan Case, Clutch, Ignition Switch.....	12
Starter -- i-Start.....	14
Fuel System.....	16
Ignition.....	18
Engine, Short Block -- SB1072.....	20
Rapid Loader Head.....	22
Plastic Shield.....	24
Gear Case.....	26
Main Pipe, Flexible Driveshaft.....	28
Handles, Throttle Cable.....	30
Model Labels.....	32
Part Number Index.....	34
Part Description Index.....	35

This Page Intentionally Left Blank



001 0005 000

ITEM	PART NUMBER	QTY	DESCRIPTION	REMARKS
1	A160000580	1	COVER, ENGINE	
2	90025304012	2	SCREW - 4X12 -- TAPPING	
3	V141000030	1	PLUG	
4	A162000040	1	GUARD, TOP	
5	90025305016	1	SCREW - 5X16 -- TAPPING	
6	90016304016	2	SCREW - 4X16	
7	9110704008	1	SCREW - 4X8	
8	X505002310	1	LABEL - CAUTION -- HOT	

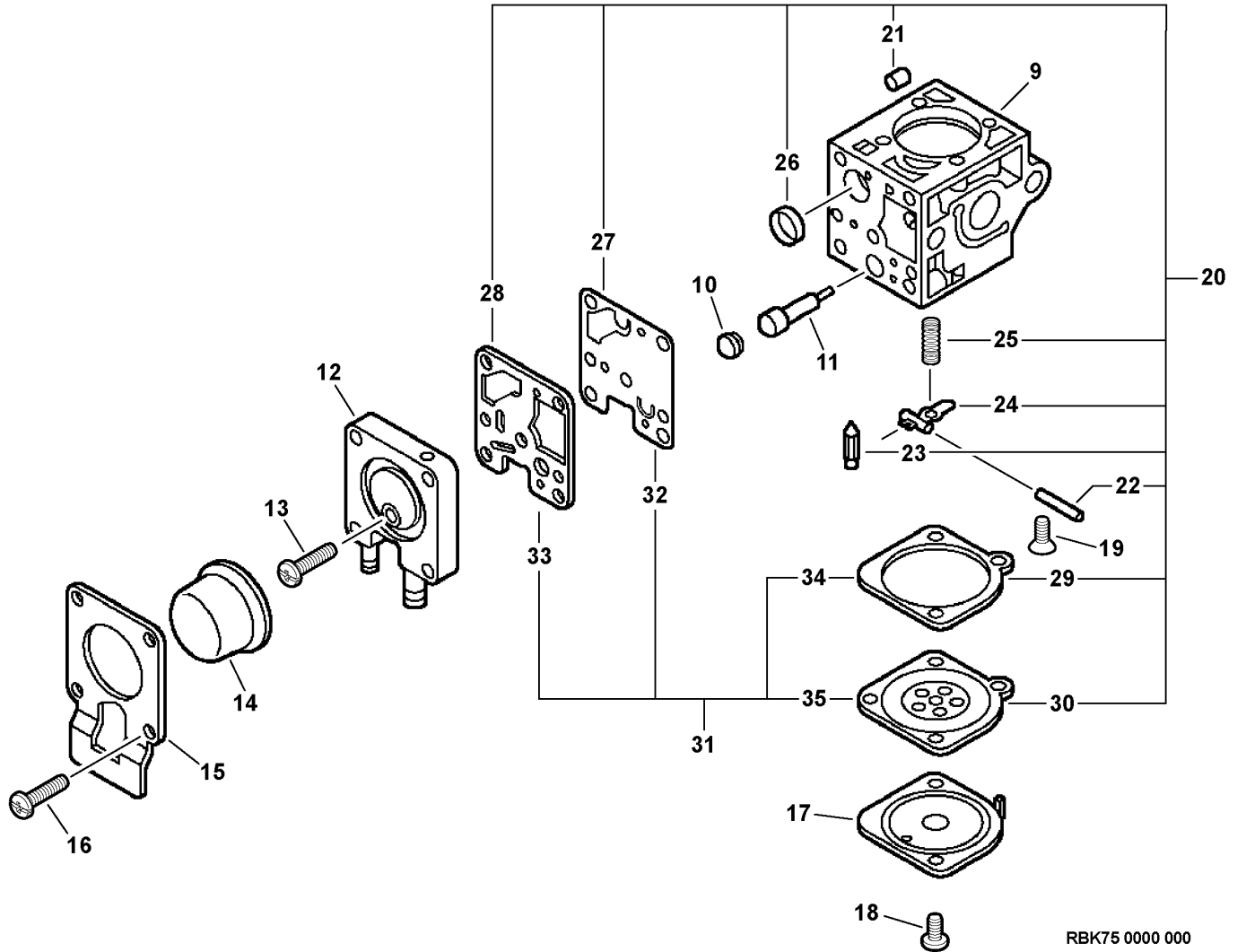
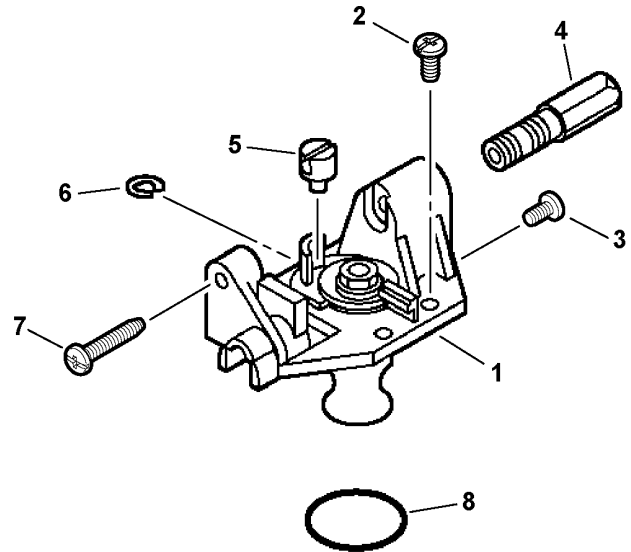


005 0007 000

ITEM	PART NUMBER	QTY	DESCRIPTION	REMARKS
1	21041752730	1	THUMBSCREW	
2	13031306563	1	COVER, AIR CLEANER - GRAY	
3	13031305863	1	COVER, AIR CLEANER - BLACK	
4	13031054130	1	FILTER, AIR - SINGLE LAYER ¹	
5	12901152730	1	PLATE, PREVENT	
6	90022005065	2	SCREW - 5X65	
7	P021000991	1	CASE, AIR CLEANER - GRAY	
8	P021004480	1	CASE, AIR CLEANER - BLACK	
9	89012152730	1	LABEL - CHOKE	
10	89012152730	1	LABEL - CHOKE	CANADA MODELS
11	-----	1	CARBURETOR	See Carburetor Diagram For Additional Information
12	13001013410	1	GASKET, INTAKE ²	
13	13001744330	1	INSULATOR, INTAKE	
14	90023805020	2	SCREW - 5X20	
15	90050000005	2	NUT	
16	V103000490	1	SHIELD, INTAKE ²	

Footnotes

- 1: Also Included In REPOWER TUNE-UP KIT
- 2: Also Included In GASKET KIT

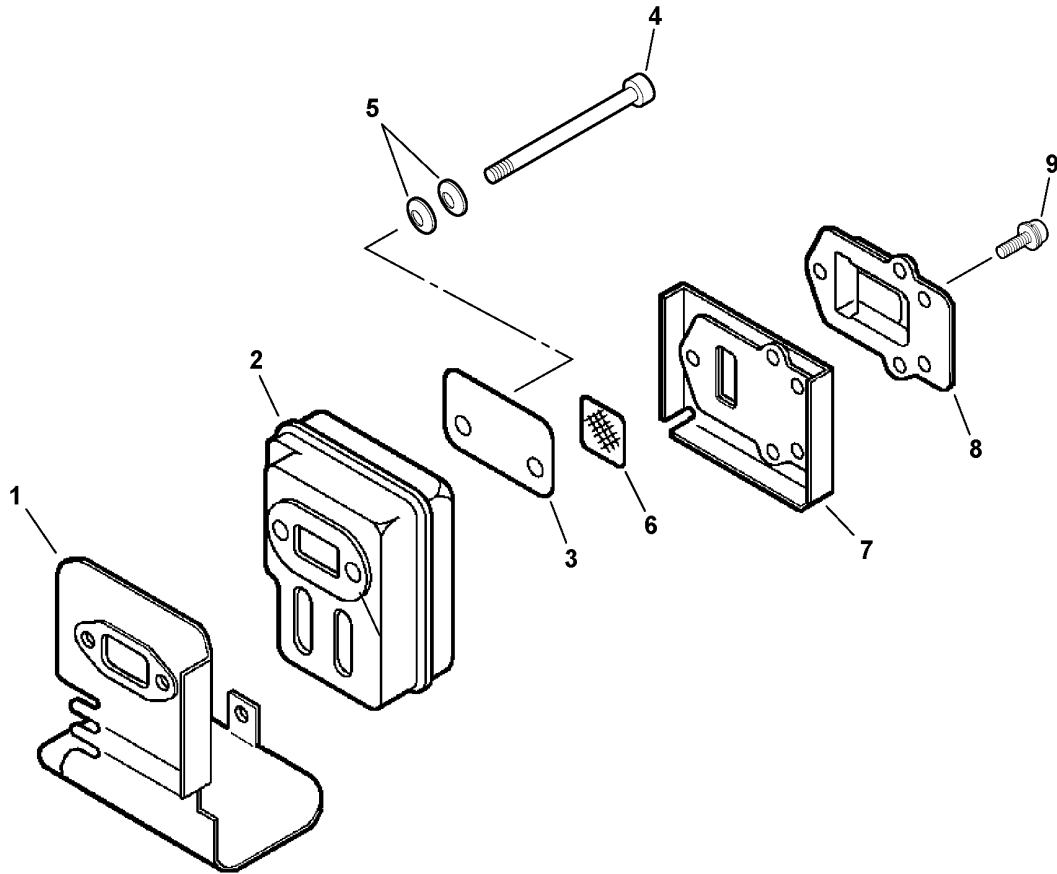


RBK75 0000 000

ITEM	PART NUMBER	QTY	DESCRIPTION	REMARKS
	A021000740	1	CARBURETOR -- RB-K75	
1	P005001320	1	ROTOR COVER ASY	
2	12534413931	3	SCREW	
3	12534452130	1	SCREW	
4	P005001330	1	SCREW, CABLE ADJUST	
5	P005001240	1	SWIVEL	
6	P005000190	1	RING, RETAINING	
7	P005000100	1	SCREW, IDLE ADJUST	
8	P005000280	1	O-RING	
9	-----	1	BODY, CARBURETOR ¹	
10	P005001270	1	CAP, LIMITER	
11	P005001260	1	NEEDLE - HIGH SPEED	
12	P005000930	1	BASE, PURGE	
13	P005000270	1	SCREW, PURGE BASE	
14	12538108660	1	BULB, PURGE	
15	P005000250	1	RETAINER, PURGE BULB	
16	12531061830	4	SCREW, PURGE BULB RETAINER	
17	12534252130	1	COVER, DIAPHRAGM	
18	12534452130	3	SCREW	
19	12533942030	1	SCREW, METERING LEVER PIN	
20	P005001670	1	REPAIR KIT	INCLUDES ITEMS 21-30
21	P005001000	1	GUIDE, ROLLER	
22	-----	1	PIN, METERING LEVER	
23	-----	1	VALVE, INLET NEEDLE	
24	-----	1	LEVER, METERING	
25	-----	1	SPRING, METERING LEVER	
26	-----	1	STRAINER	
27	-----	1	DIAPHRAGM, PUMP	
28	-----	1	GASKET, PUMP	
29	-----	1	GASKET, DIAPHRAGM	
30	-----	1	DIAPHRAGM, METERING	
31	P005001660	1	DIAPHRAGM/GASKET KIT	INCLUDES ITEMS 32-35
32	-----	1	DIAPHRAGM, PUMP	
33	-----	1	GASKET, PUMP	
34	-----	1	GASKET, DIAPHRAGM	
35	-----	1	DIAPHRAGM, METERING	

Footnotes

1: NOT AVAILABLE SEPARATELY

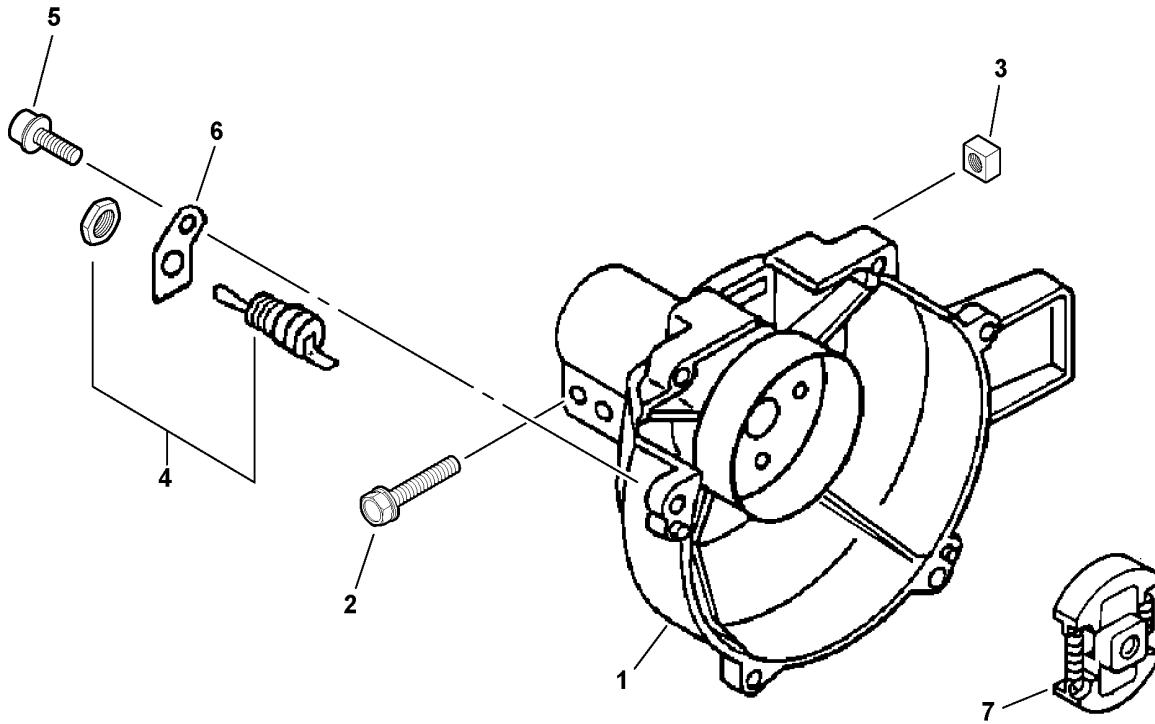


006 0012 000

ITEM	PART NUMBER	QTY	DESCRIPTION	REMARKS
1	V104000510	1	SHIELD, EXHAUST ¹	
2	A300000141	1	MUFFLER	
3	V150000371	1	PLATE	
4	90010505055	2	SCREW - 5X55	
5	V347000000	4	WASHER - CONICAL	
6	14586240630	1	SCREEN, SPARK ARRESTER	
7	V104000360	1	GASKET, EXHAUST ¹	
8	A313000600	1	GUIDE, EXHAUST	
9	9136704012	5	SCREW - 4X12	

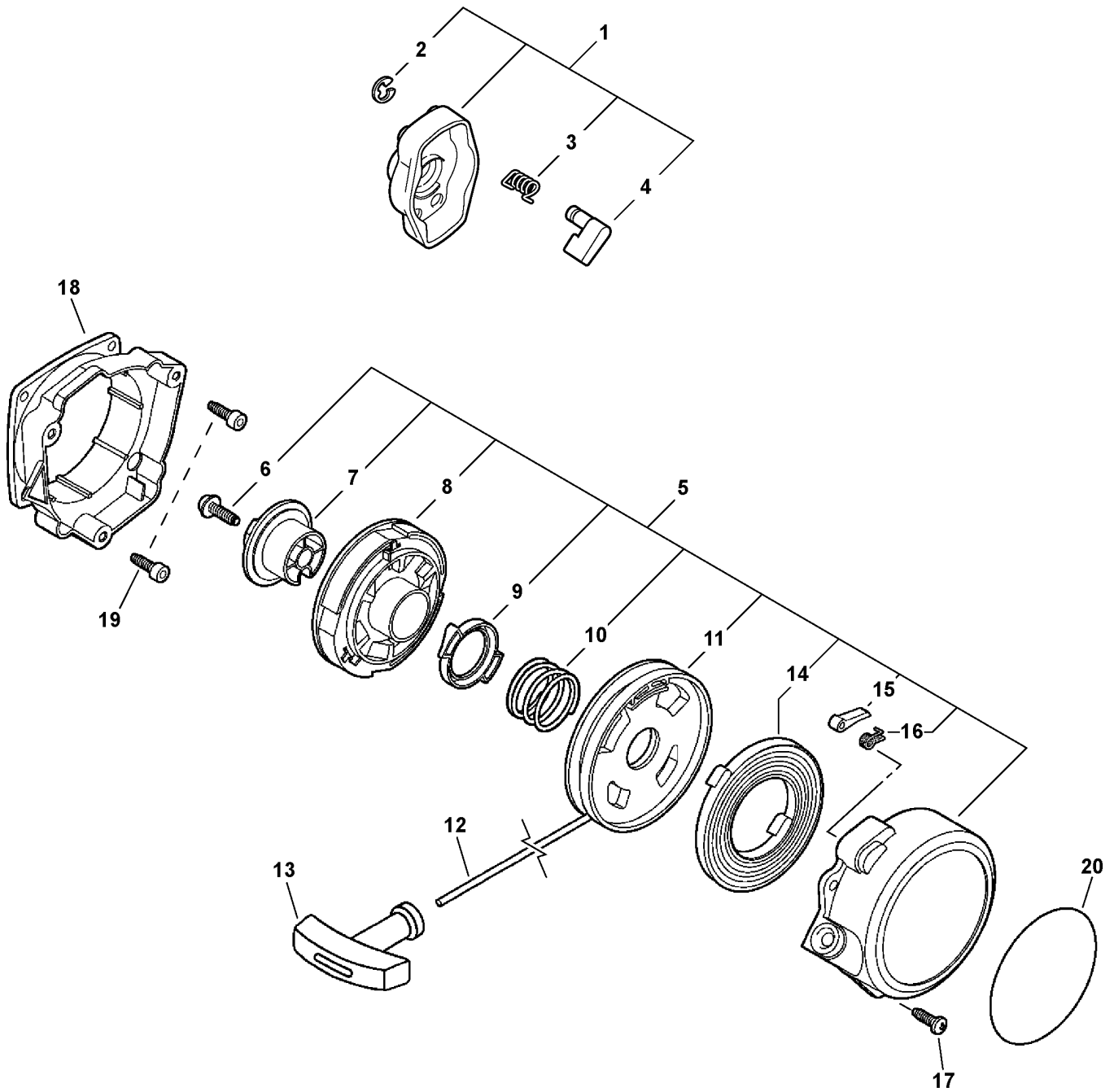
Footnotes

¹: Also Included In GASKET KIT



003 0002 000

ITEM	PART NUMBER	QTY	DESCRIPTION	REMARKS
1	10150356630	1	FAN CASE ASY	
2	90014205028	2	BOLT - 5X28	
3	90056550005	2	NUT - 5 -- SQUARE	
4	16340003460	1	IGNITION SWITCH ASY	
5	90016304018	4	SCREW - 4X18	
6	16381044330	1	BRACKET, SWITCH	
7	17500056830	1	CLUTCH ASY	

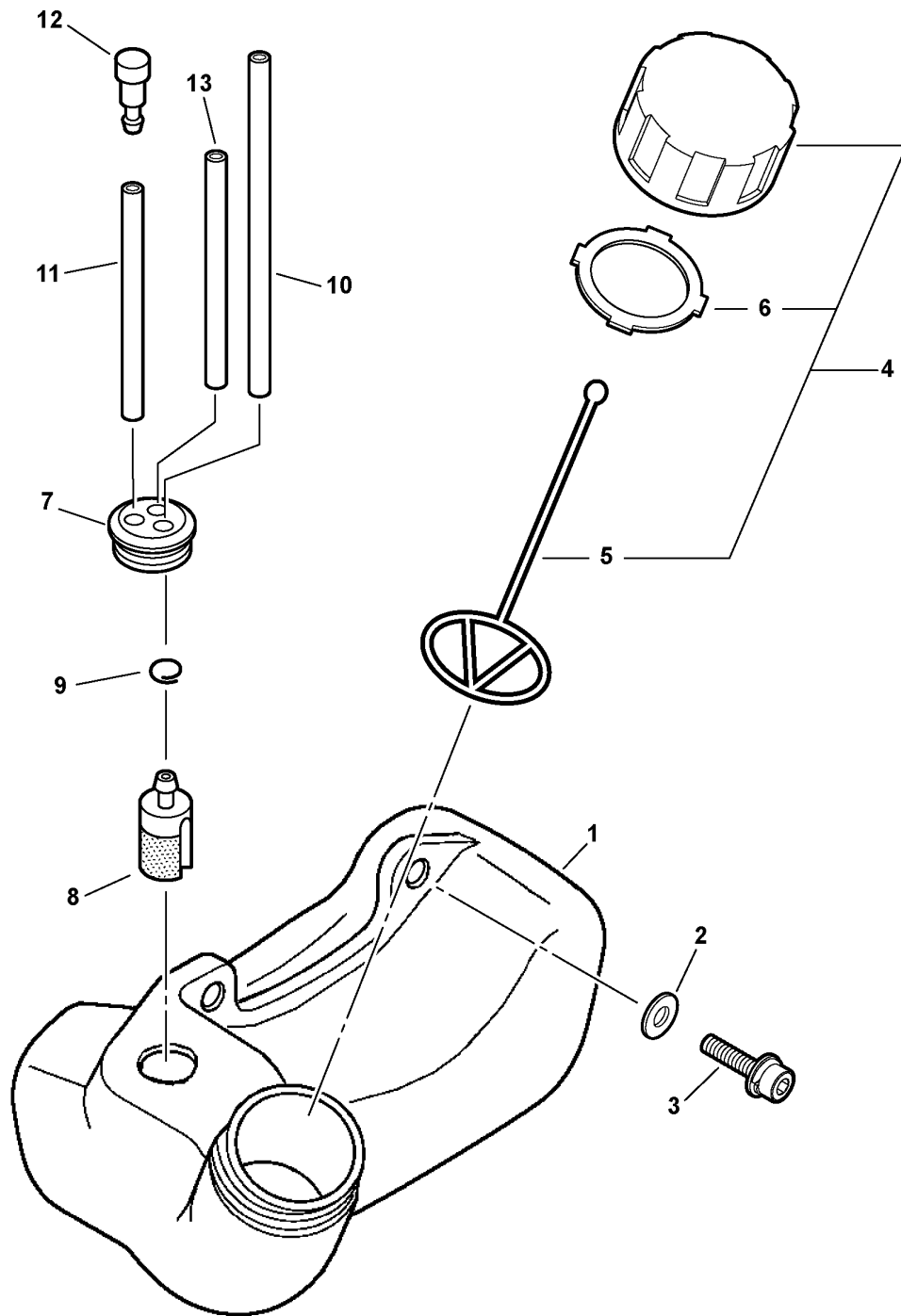


004 0016 000

ITEM	PART NUMBER	QTY	DESCRIPTION	REMARKS
1	A052000130	1	STARTER PAWL ASY	INCLUDES ITEMS 2-4
2	P022002100	2	RING, RETAINING - 4	
3	17723412220	2	SPRING, RETURN	
4	P022004740	2	PAWL, STARTER	
5	A051000361	1	STARTER ASY	INCLUDES ITEMS 6-16
6	P022004630	1	SCREW	
7	P022004640	1	PLATE, CAM	
8	P022004700	1	SPRING ASY	
9	P022004670	1	PAWL	
10	P022004660	1	SPRING, RETURN	
11	P022004690	1	REEL, ROPE	
12	P022004600	1	ROPE, STARTER - 3X800 ¹	REPOWER BULK OPTION: 99944440000
13	P022004990	1	GRIP, STARTER	
14	P022004680	1	SPRING, REWIND	
15	P022004620	2	PAWL, STARTER	
16	P022004610	2	SPRING, PAWL RETURN	
17	90025305020	3	SCREW - 5X20 -- TAPPING	
18	V376000361	1	SPACER	
19	90016304016	4	SCREW - 4X16	
20	X502000032	1	LABEL - ECHO -- i	

Footnotes

1: BULK OPTION: 99944440000

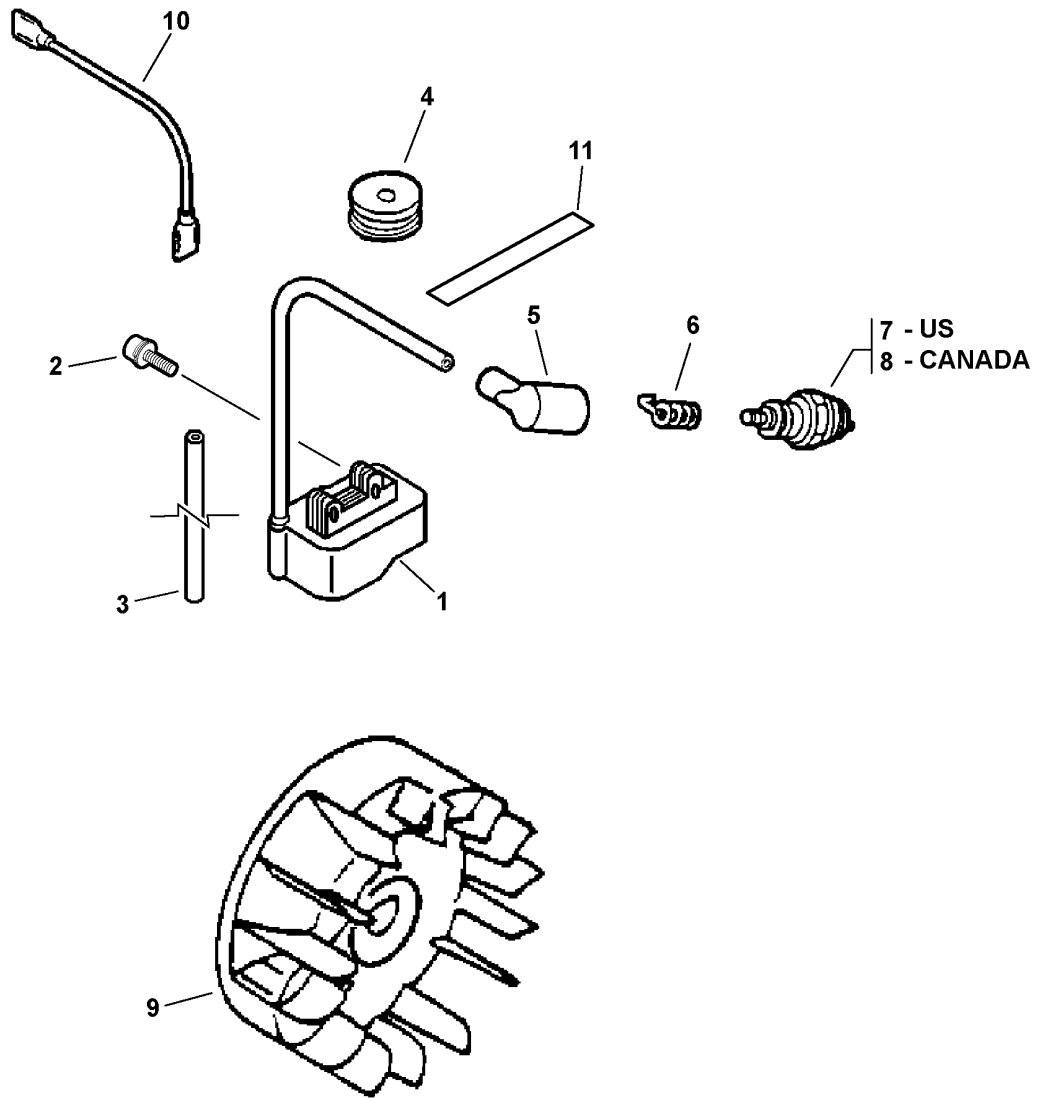


002 0010 00B

ITEM	PART NUMBER	QTY	DESCRIPTION	REMARKS
1	A350000690	1	TANK, FUEL	
2	90060300005	2	WASHER - 5	
3	90016205020	2	SCREW - 5X20	
4	13100455530	1	CAP ASY - ORANGE	INCLUDES ITEMS 5-6
5	13105156030	1	CONNECTOR, CAP	
6	13101655830	1	GASKET	
7	V137000030	1	GROMMET	
8	13120507320	1	FILTER, FUEL ¹	
9	13201309820	1	CLIP	
10	V471001190	1	PIPE, PRIMER - 3X5X180	REPOWER BULK OPTION: 90014
11	V471001200	1	PIPE - 3X5X70	REPOWER BULK OPTION: 90014
12	A356000030	1	VENT ASY	
13	13201256030	1	PIPE, RETURN - 3X6X80	REPOWER BULK OPTION: 90017

Footnotes

1: Also Included In REPOWER TUNE-UP KIT

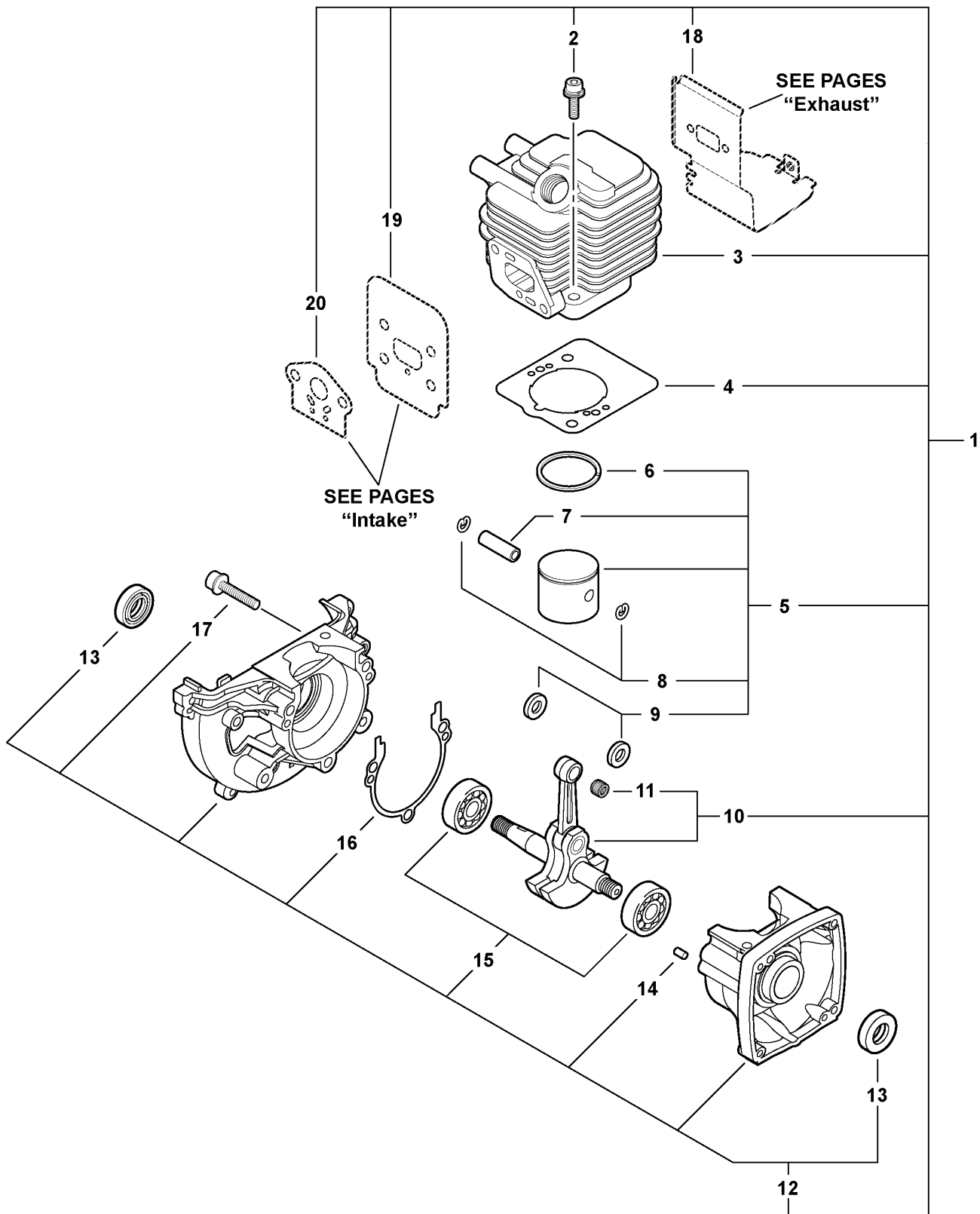


007 0008 000

ITEM	PART NUMBER	QTY	DESCRIPTION	REMARKS
1	A411000130	1	COIL, IGNITION	
2	90016204020	2	SCREW - 4X20	
3	15611054930	1	TUBE, INSULATOR	
4	15011244330	1	GROMMET	
5	15901201620	1	CAP, SPARK PLUG	
6	15901103432	1	TERMINAL, SPARK PLUG CAP	
7	15901019830	1	SPARK PLUG -- BPM-8Y ¹	
8	A425000000	1	SPARK PLUG -- BPMR-8Y ¹	CANADA MODELS
9	A409000210	1	FLYWHEEL	
10	V485000290	1	LEAD - GROUND	
11	X532000671	1	LABEL - SPARK PLUG -- BPM-8Y	

Footnotes

1: Also Included In REPOWER TUNE-UP KIT

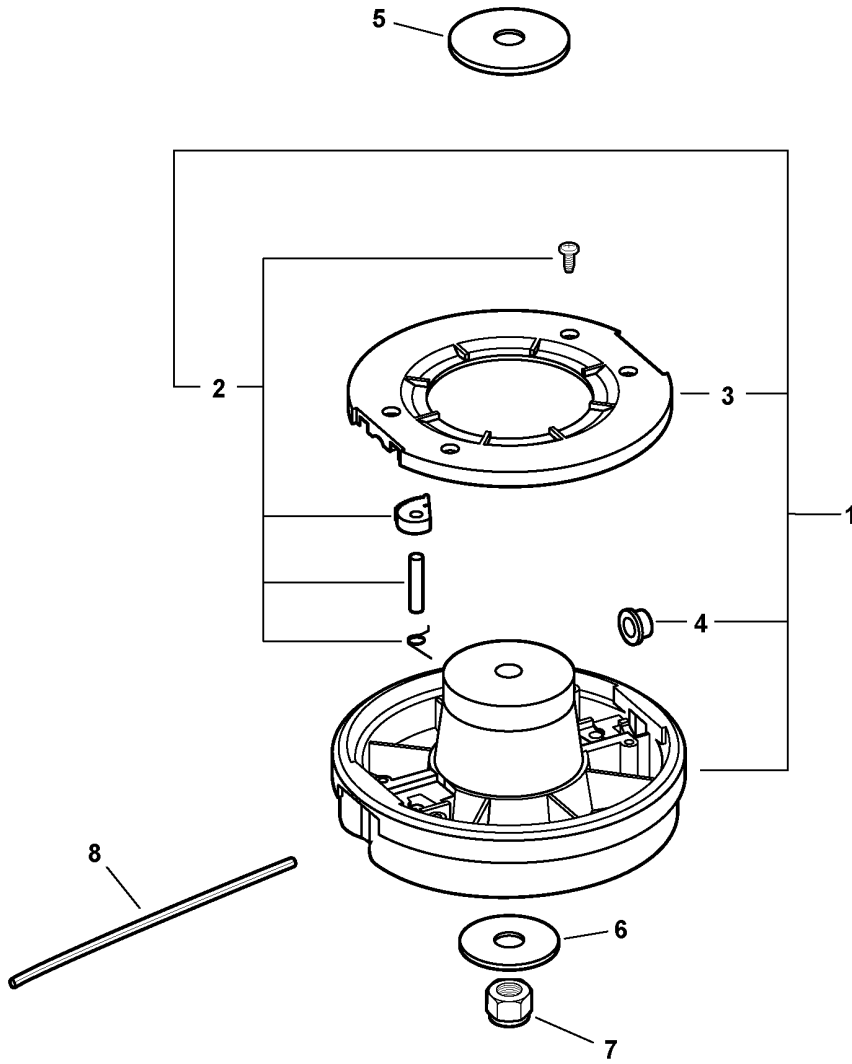


SB1072 0000 000

ITEM	PART NUMBER	QTY	DESCRIPTION	REMARKS
1	SB1072	1	SHORT BLOCK -- SB1072	INCLUDES ITEM 2-20
2	90016205022	2	SCREW - 5X22	
3	A130000540	1	CYLINDER	
4	V100000160	1	GASKET, CYLINDER ¹	
5	P021007712	1	PISTON KIT	INCLUDES ITEMS 6-9
6	A101000090	1	RING, PISTON	
7	10001311520	1	PIN, PISTON	
8	10001504630	2	RING, RETAINING	
9	10001411520	2	SPACER, PISTON	
10	A011000101	1	CRANKSHAFT ASY	INCLUDES ITEM 11
11	V553000010	1	BEARING, NEEDLE - 8	
12	10020452132	1	CRANKCASE KIT	INCLUDES ITEMS 13-17
13	10021242031	2	SEAL, OIL	
14	V622000020	2	PIN, DOWEL	
15	9403536201	2	BEARING, BALL - 6201	
16	10024242030	1	GASKET, CRANKCASE ¹	
17	90016205028	3	SCREW - 5X28	
18	-----	1	SHIELD, EXHAUST ¹	
19	-----	1	SHIELD, INTAKE ¹	
20	-----	1	GASKET, INTAKE ¹	

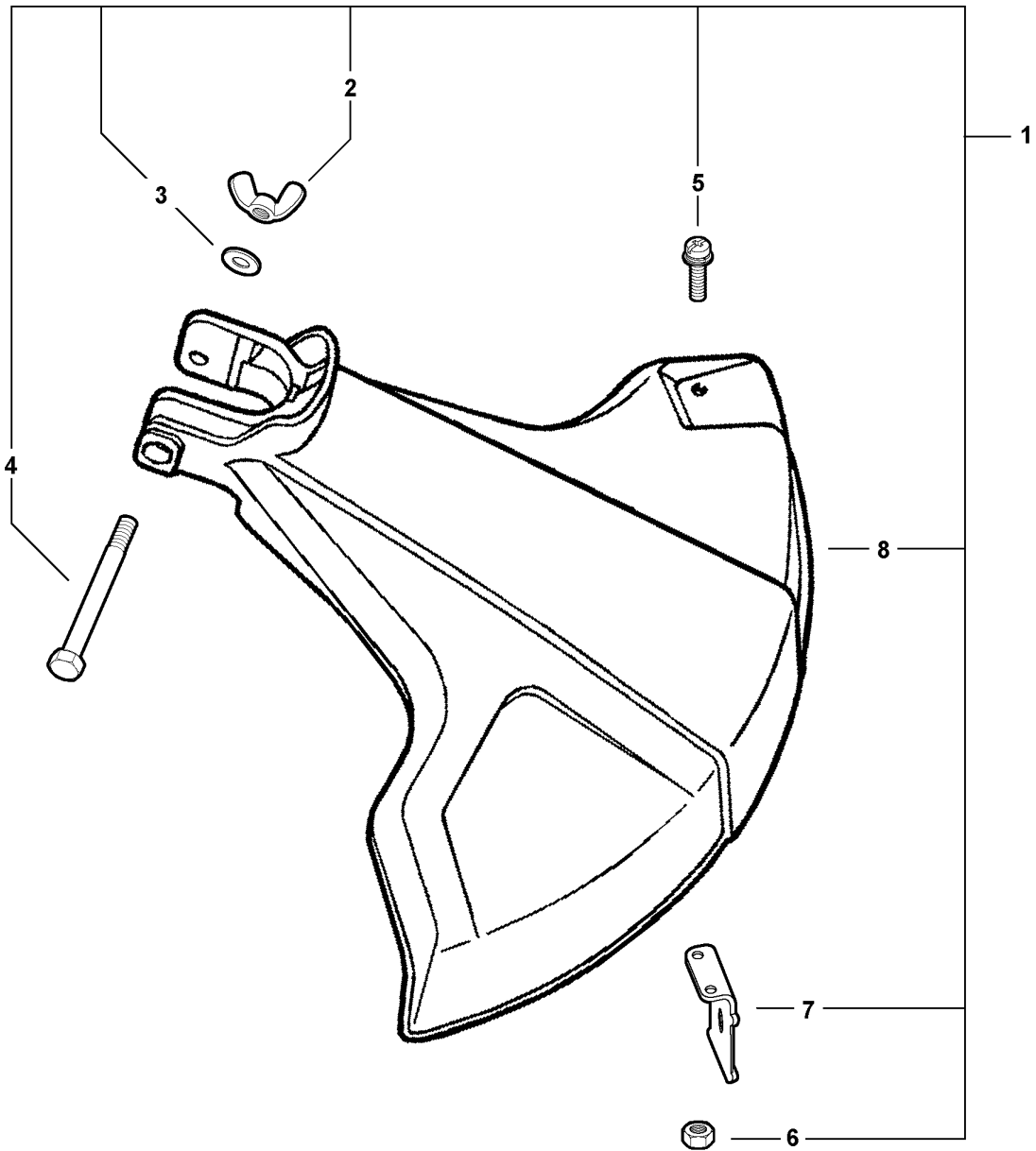
Footnotes

1: Also Included In GASKET KIT



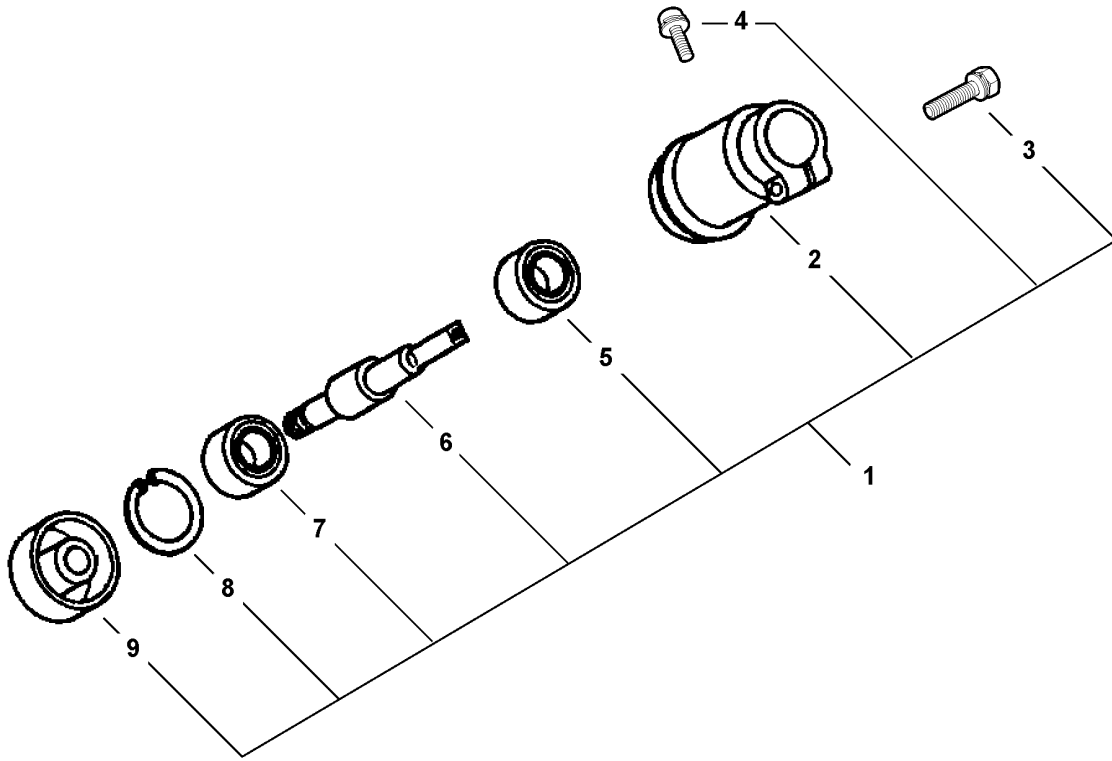
035 0001 000

ITEM	PART NUMBER	QTY	DESCRIPTION	REMARKS
1	X480000020	1	TWO LINE RAPID LOADER ATTACHMENT	INCLUDES ITEM 2-4
2	P022001091	1	REPAIR KIT	INCLUDES 3 OF EACH
3	P022001070	1	COVER, TOP	
4	P022001080	2	EYELET	INCLUDES 3 PER PACKAGE
5	V307000110	1	WASHER	
6	V307000080	1	WASHER - 10	
7	V266000030	1	LOCKNUT	
8	102212131	1	LINE, CUTTING - 0.80in	INCLUDES 20 PER PACKAGE



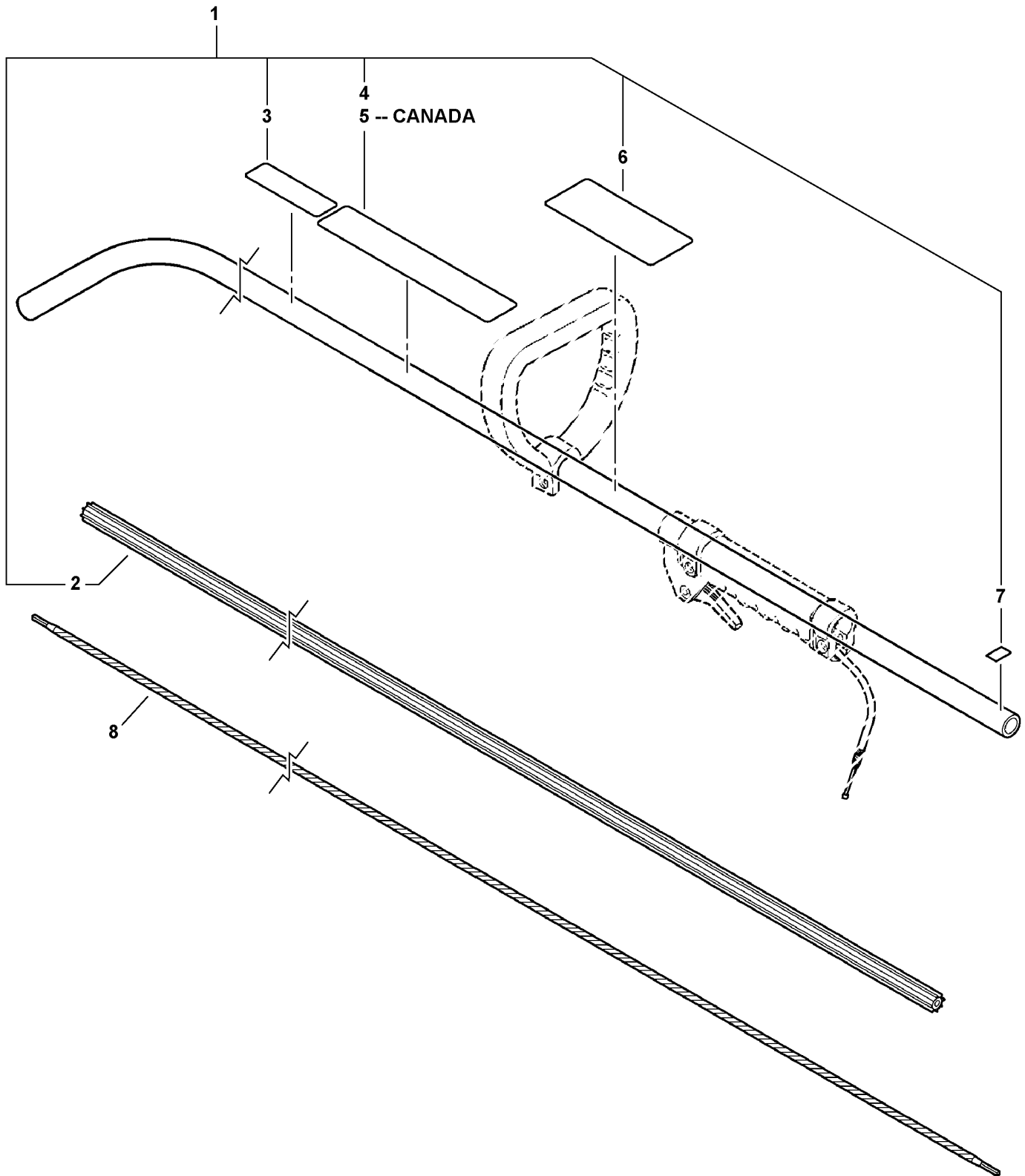
034 0002 000

ITEM	PART NUMBER	QTY	DESCRIPTION	REMARKS
1	69900452730	1	DEBRIS SHIELD KIT	INCLUDES ITEMS 2-8
2	90003300008	1	WINGNUT - 1/4-20	
3	90003500008	1	WASHER - 1/4"	
4	90001708064	1	BOLT - 1/4-20 X 2"	
5	90023805016	2	SCREW - 5X16	
6	90050000005	2	NUT	
7	69901644330	1	KNIFE, TRIMMER LINE	
8	69901044330	1	SHIELD, GRASS TRIMMING	



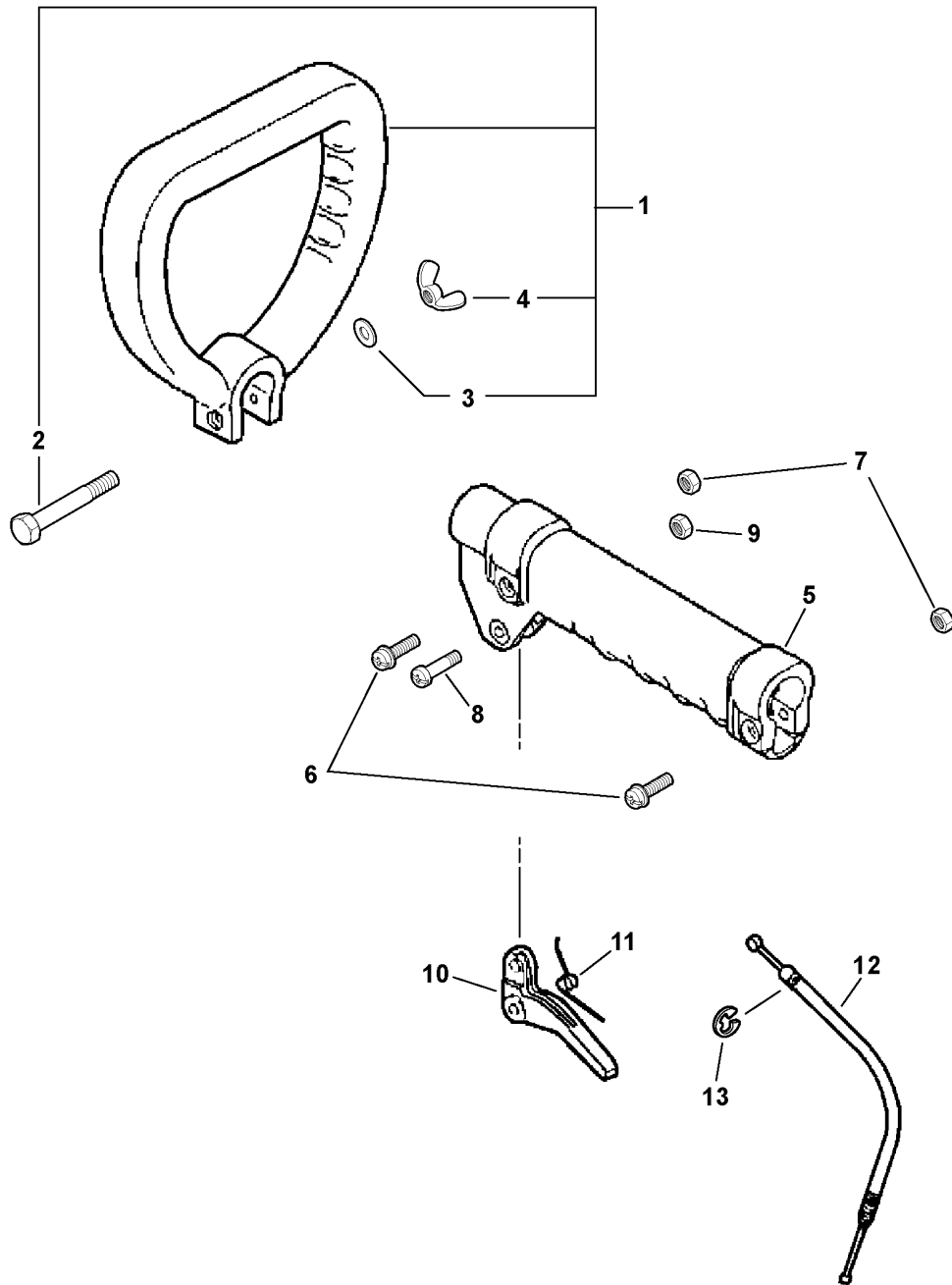
032 0006 000

ITEM	PART NUMBER	QTY	DESCRIPTION	REMARKS
1	C056000011	1	GEAR CASE ASY	INCLUDES ITEMS 2-9
2	C530000030	1	CASE, GEAR	
3	90015205025	1	BOLT - 5X25	
4	90024204010	1	SCREW - 4X10	
5	9406006200	1	BEARING, BALL - 6200	
6	C534000340	1	GEAR, SHAFT	
7	90081106200	1	BEARING, BALL - 6200	
8	90070200030	1	RING, RETAINING - 30	
9	C535000240	1	PLATE, ADAPTER - UPPER	



031 0003 000

ITEM	PART NUMBER	QTY	DESCRIPTION	REMARKS
1	61060944330	1	MAIN PIPE ASY	INCLUDES ITEM 2-6
2	61021744330	1	LINER - FLEXIBLE	
3	89022809560	1	LABEL - CAUTION -- SPANISH	
4	89031744530	1	LABEL - CAUTION	
5	89031748731	1	LABEL - CAUTION	CANADA MODELS
6	X505001930	1	LABEL - HANDLE LOCATION	
7	89015204930	1	LABEL - ALIGNMENT	
8	C506000030	1	DRIVESHAFT - FLEXIBLE	



030 0003 000

ITEM	PART NUMBER	QTY	DESCRIPTION	REMARKS
1	35160044330	1	FRONT HANDLE ASY	INCLUDES ITEMS 2-4
2	90001708048	1	BOLT - 1/4-20 X 1-1/2"	
3	90003500008	1	WASHER - 1/4"	
4	90003300008	1	WINGNUT - 1/4-20	
5	35121344330	1	GRIP, HANDLE	
6	90024205025	2	SCREW - 5X25	
7	90050000005	2	NUT	
8	17811005330	1	SCREW - 5X30	
9	90056000005	1	LOCKNUT - 5	
10	C450000070	1	TRIGGER, THROTTLE	
11	17804306930	1	SPRING, TRIGGER	
12	V430000671	1	CABLE, THROTTLE	
13	90070000005	1	RING, RETAINING - 5	



100 0004 000

ITEM	PART NUMBER	QTY	DESCRIPTION	REMARKS
1	X547000550	1	LABEL - MODEL -- GT-200	
2	X547000330	1	LABEL - MODEL -- GT-200R	
3	X543000300	1	LABEL - MODEL -- GT-200i	
4	X543000300	1	LABEL - MODEL -- GT-200i	
5	X503001280	1	LABEL - MODEL -- GT-201	
6	X543000080	1	LABEL - MODEL -- GT-201R	
7	X543000310	1	LABEL - MODEL -- GT-201i	
8	X543000310	1	LABEL - MODEL -- GT-201i	



Part Number Index

Click The Page Number After Any Part Number To View The Diagram Containing That Part.

Part Number	Page	Part Number	Page	Part Number	Page
-----	7, 9, 21	90050000005	7, 25, 31	V266000030	23
10001311520	21	90056000005	31	V307000080	23
10001411520	21	90056550005	13	V307000110	23
10001504630	21	90060300005	17	V347000000	11
10020452132	21	90070000005	31	V376000361	15
10021242031	21	90070200030	27	V430000671	31
10024242030	21	90081106200	27	V471001190	17
10150356630	13	9110704008	5	V471001200	17
102212131	23	9136704012	11	V485000290	19
12531061830	9	9403536201	21	V553000010	21
12533942030	9	9406006200	27	V622000020	21
12534252130	9	A011000101	21	X48000020	23
12534413931	9	A021000740	9	X502000032	15
12534452130	9	A051000361	15	X503001280	33
12538108660	9	A052000130	15	X505001930	29
12901152730	7	A101000090	21	X505002310	5
13001013410	7	A130000540	21	X532000671	19
13001744330	7	A160000580	5	X543000080	33
13031054130	7	A162000040	5	X543000300	33
13031305863	7	A300000141	11	X543000310	33
13031306563	7	A313000600	11	X547000330	33
13100455530	17	A350000690	17	X547000550	33
13101655830	17	A356000030	17		
13105156030	17	A409000210	19		
13120507320	17	A411000130	19		
13201256030	17	A425000000	19		
13201309820	17	C056000011	27		
14586240630	11	C450000070	31		
15011244330	19	C506000030	29		
15611054930	19	C530000030	27		
15901019830	19	C534000340	27		
15901103432	19	C535000240	27		
15901201620	19	P005000100	9		
16340003460	13	P005000190	9		
16381044330	13	P005000250	9		
17500056830	13	P005000270	9		
17723412220	15	P005000280	9		
17804306930	31	P005000930	9		
17811005330	31	P005001000	9		
21041752730	7	P005001240	9		
35121344330	31	P005001260	9		
35160044330	31	P005001270	9		
61021744330	29	P005001320	9		
61060944330	29	P005001330	9		
69900452730	25	P005001660	9		
69901044330	25	P005001670	9		
69901644330	25	P021000991	7		
89012152730	7	P021004480	7		
89015204930	29	P021007712	21		
89022809560	29	P022001070	23		
89031744530	29	P022001080	23		
89031748731	29	P022001091	23		
90001708048	31	P022002100	15		
90001708064	25	P022004600	15		
90003300008	25, 31	P022004610	15		
90003500008	25, 31	P022004620	15		
90010505055	11	P022004630	15		
90014205028	13	P022004640	15		
90015205025	27	P022004660	15		
90016204020	19	P022004670	15		
90016205020	17	P022004680	15		
90016205022	21	P022004690	15		
90016205028	21	P022004700	15		
90016304016	5, 15	P022004740	15		
90016304018	13	P022004990	15		
90022005065	7	SB1072	21		
90023805016	25	V100000160	21		
90023805020	7	V103000490	7		
90024204010	27	V104000360	11		
90024205025	31	V104000510	11		
90025304012	5	V137000030	17		
90025305016	5	V141000030	5		
90025305020	15	V150000371	11		



Part Description Index

Click The Page Number After Any Part Description To View The Diagram Containing That Part.

B

BASE, PURGE.....9
 BEARING, BALL - 6200.....27
 BEARING, BALL - 6201.....21
 BEARING, NEEDLE - 8.....21
 BODY, CARBURETOR.....9
 BOLT - 1/4-20 X 1-1/2".....31
 BOLT - 1/4-20 X 2".....25
 BOLT - 5X25.....27
 BOLT - 5X28.....13
 BRACKET, SWITCH.....13
 BULB, PURGE.....9

C

CABLE, THROTTLE.....31
 CAP ASY - ORANGE.....17
 CAP, LIMITER.....9
 CAP, SPARK PLUG.....19
 CARBURETOR.....7
 CARBURETOR -- RB-K75.....9
 CASE, AIR CLEANER - BLACK.....7
 CASE, AIR CLEANER - GRAY.....7
 CASE, GEAR.....27
 CLIP.....17
 CLUTCH ASY.....13
 COIL, IGNITION.....19
 CONNECTOR, CAP.....17
 COVER, AIR CLEANER - BLACK.....7
 COVER, AIR CLEANER - GRAY.....7
 COVER, DIAPHRAGM.....9
 COVER, ENGINE.....5
 COVER, TOP.....23
 CRANKCASE KIT.....21
 CRANKSHAFT ASY.....21
 CYLINDER.....21

D

DEBRIS SHIELD KIT.....25
 DIAPHRAGM, METERING.....9
 DIAPHRAGM, PUMP.....9
 DIAPHRAGM/GASKET KIT.....9
 DRIVESHAFT - FLEXIBLE.....29

E

EYELET.....23

F

FAN CASE ASY.....13
 FILTER, AIR - SINGLE LAYER.....7
 FILTER, FUEL.....17
 FLYWHEEL.....19
 FRONT HANDLE ASY.....31

G

GASKET.....17
 GASKET, CRANKCASE.....21
 GASKET, CYLINDER.....21
 GASKET, DIAPHRAGM.....9
 GASKET, EXHAUST.....11
 GASKET, INTAKE.....7, 21
 GASKET, PUMP.....9
 GEAR CASE ASY.....27

GEAR, SHAFT.....27
 GRIP, HANDLE.....31
 GRIP, STARTER.....15
 GROMMET.....17, 19
 GUARD, TOP.....5
 GUIDE, EXHAUST.....11
 GUIDE, ROLLER.....9

I

IGNITION SWITCH ASY.....13
 INSULATOR, INTAKE.....7

K

KNIFE, TRIMMER LINE.....25

L

LABEL - ALIGNMENT.....29
 LABEL - CAUTION.....29
 LABEL - CAUTION -- HOT.....5
 LABEL - CAUTION -- SPANISH.....29
 LABEL - CHOKE.....7
 LABEL - ECHO -- i.....15
 LABEL - HANDLE LOCATION.....29
 LABEL - MODEL -- GT-200.....33
 LABEL - MODEL -- GT-200i.....33
 LABEL - MODEL -- GT-200R.....33
 LABEL - MODEL -- GT-201.....33
 LABEL - MODEL -- GT-201i.....33
 LABEL - MODEL -- GT-201R.....33
 LABEL - SPARK PLUG -- BPM-8Y.....19
 LEAD - GROUND.....19
 LEVER, METERING.....9
 LINE, CUTTING - 0.80in.....23
 LINER - FLEXIBLE.....29
 LOCKNUT.....23
 LOCKNUT - 5.....31

M

MAIN PIPE ASY.....29
 MUFFLER.....11

N

NEEDLE - HIGH SPEED.....9
 NUT.....7, 25, 31
 NUT - 5 -- SQUARE.....13

O

O-RING.....9

P

PAWL.....15
 PAWL, STARTER.....15
 PIN, DOWEL.....21
 PIN, METERING LEVER.....9
 PIN, PISTON.....21
 PIPE - 3X5X70.....17
 PIPE, PRIMER - 3X5X180.....17
 PIPE, RETURN - 3X6X80.....17
 PISTON KIT.....21
 PLATE.....11
 PLATE, ADAPTER - UPPER.....27
 PLATE, CAM.....15
 PLATE, PREVENT.....7

PLUG.....5

R

REEL, ROPE.....15
 REPAIR KIT.....9, 23
 RETAINER, PURGE BULB.....9
 RING, PISTON.....21
 RING, RETAINING.....9, 21
 RING, RETAINING - 30.....27
 RING, RETAINING - 4.....15
 RING, RETAINING - 5.....31
 ROPE, STARTER - 3X800.....15
 ROTOR COVER ASY.....9

S

SCREEN, SPARK ARRESTER.....11
 SCREW.....9, 15
 SCREW - 4X10.....27
 SCREW - 4X12.....11
 SCREW - 4X12 -- TAPPING.....5
 SCREW - 4X16.....5, 15
 SCREW - 4X18.....13
 SCREW - 4X20.....19
 SCREW - 4X8.....5
 SCREW - 5X16.....25
 SCREW - 5X16 -- TAPPING.....5
 SCREW - 5X20.....7, 17
 SCREW - 5X20 -- TAPPING.....15
 SCREW - 5X22.....21
 SCREW - 5X25.....31
 SCREW - 5X28.....21
 SCREW - 5X30.....31
 SCREW - 5X55.....11
 SCREW - 5X65.....7
 SCREW, CABLE ADJUST.....9
 SCREW, IDLE ADJUST.....9
 SCREW, METERING LEVER PIN.....9
 SCREW, PURGE BASE.....9
 SCREW, PURGE BULB RETAINER.....9
 SEAL, OIL.....21
 SHIELD, EXHAUST.....11, 21
 SHIELD, GRASS TRIMMING.....25
 SHIELD, INTAKE.....7, 21
 SHORT BLOCK -- SB1072.....21
 SPACER.....15
 SPACER, PISTON.....21
 SPARK PLUG -- BPM-8Y.....19
 SPARK PLUG -- BPMR-8Y.....19
 SPRING ASY.....15
 SPRING, METERING LEVER.....9
 SPRING, PAWL RETURN.....15
 SPRING, RETURN.....15
 SPRING, REWIND.....15
 SPRING, TRIGGER.....31
 STARTER ASY.....15
 STARTER PAWL ASY.....15
 STRAINER.....9
 SWIVEL.....9

T

TANK, FUEL.....17
 TERMINAL, SPARK PLUG CAP.....19
 THUMBSCREW.....7
 TRIGGER, THROTTLE.....31
 TUBE, INSULATOR.....19



Part Description Index (continued)

TWO LINE RAPID LOADER ATTACHMENT.....
23

V

VALVE, INLET NEEDLE.....9
VENT ASY.....17

W

WASHER.....23
WASHER - 1/4".....25, 31
WASHER - 10.....23
WASHER - 5.....17
WASHER - CONICAL.....11
WINGNUT - 1/4-20.....25, 31

NOTES



ECHO, INCORPORATED

400 Oakwood Road
Lake Zurich, IL 60047 USA

WWW.ECHO-USA.COM
