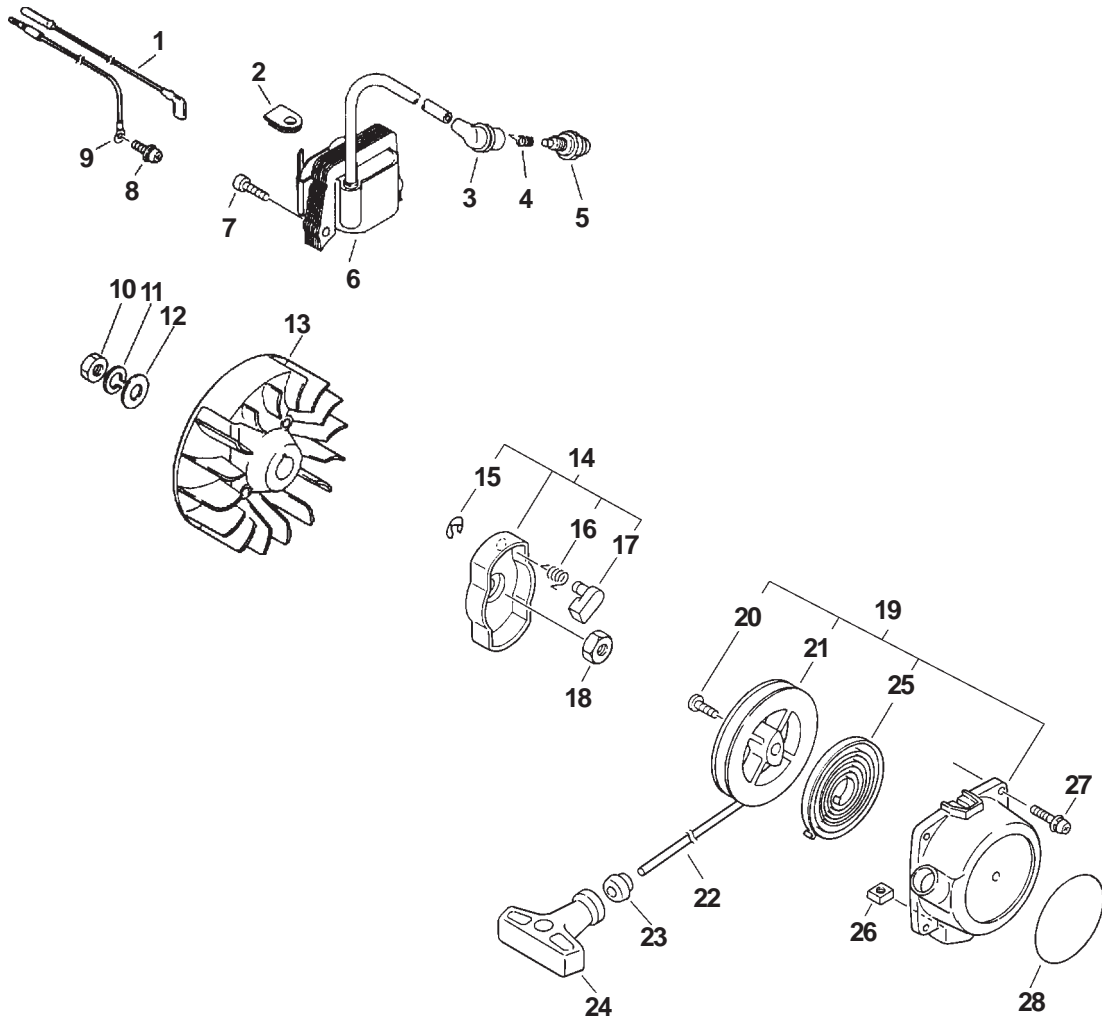


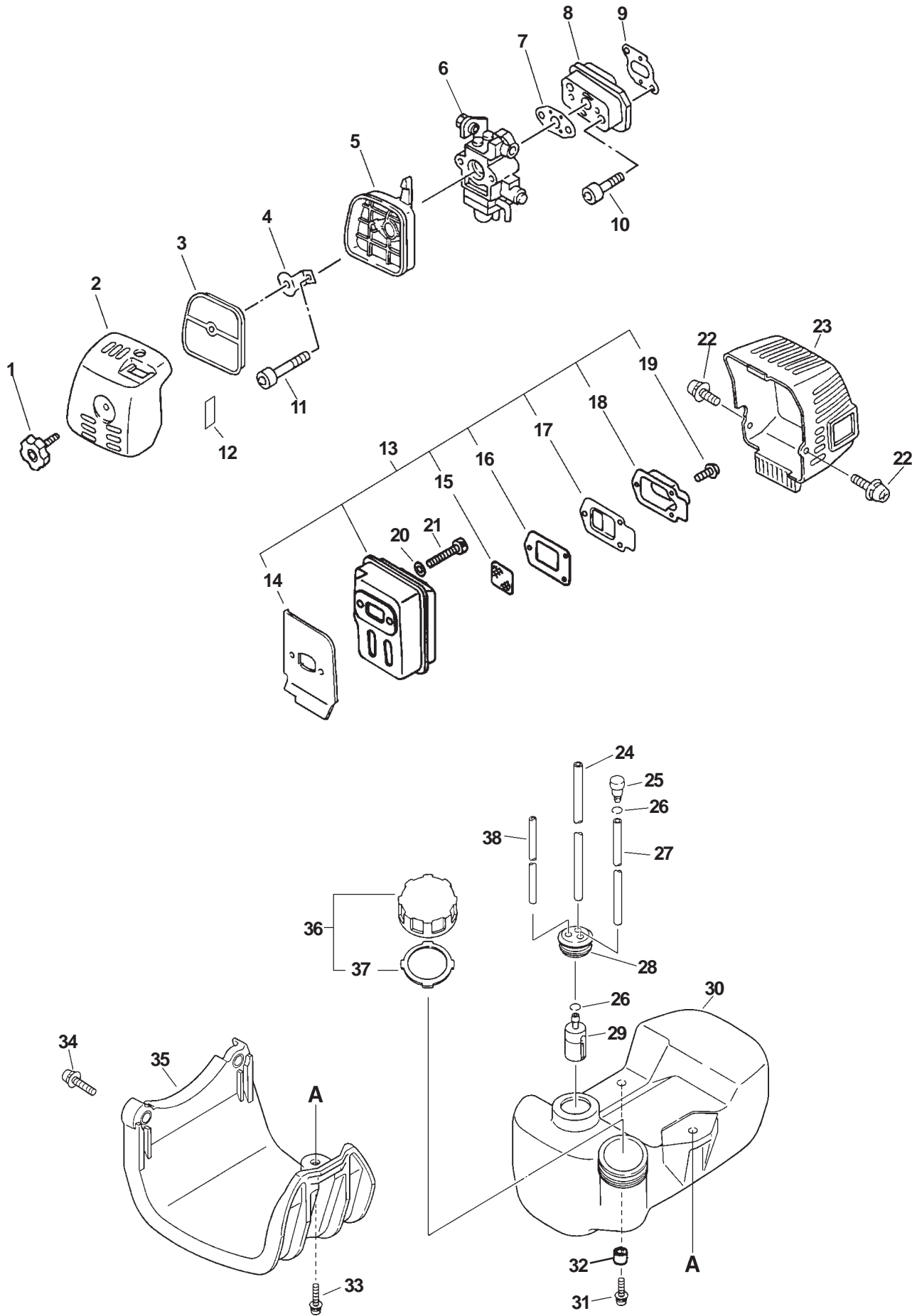
PE-2601 TYPE 1E

ENGINE, FAN HOUSING, COVER, CLUTCH

ITEM	PART NUMBER	QTY	DESCRIPTION	REMARKS
1	90023905022	1	SCREW 5X22	
2	V353000020	1	COLLAR	
3	15990555930	1	GUARD, TOP	
4	10150657730	1	COVER, CYLINDER	
5	10026857730	1	GUARD, ENGINE (OPTIONAL)	
6	90016204016	2	BOLT 4X16	
7	10153828230	1	GROMMET	
8	10103456532	1	CYLINDER	
9	90016205022	4	BOLT, H.S. 5X22	
10	10101056030	1	GASKET, CYLINDER BASE	USE GASKET KIT 88900057730
11	P021000370	1	PISTON KIT	INCLUDES ITEMS 12 - 16
12	A101000010	2	RING, PISTON	
13	10001356030	1	PIN, PISTON	
14	10001504630	2	CIRCLIP, PISTON PIN	
15	10001255930	1	BEARING, NEEDLE	
16	10001455930	2	SPACER, PISTON PIN	
17	-----	1	CRANKSHAFT ASY	USE SB1039
18	-----	1	CRANKCASE KIT	USE SB1039
19	10021305530	1	OILSEAL	
20	90080036001	2	BEARING, BALL 6001	
21	90070200028	1	CIRCLIP 28	
22	-----	1	GASKET, CRANKCASE	USE GASKET KIT 88900057730
23	10021228230	1	OILSEAL, ISCD 12X28X7	
24	90016205025	4	BOLT, H.S. 5X25	
25	10014212330	1	KEY, WOODRUFF	
26	90070200042	1	CIRCLIP 42	
27	61092255931	1	HOLDER	
28	X503000610	1	LABEL, MODEL	
29	P021007130	1	COVER ASY, FAN	INCLUDES ITEMS 30-34
30	90070100012	1	CIRCLIP 12	
31	10021503930	2	PIN, DOWEL	
32	90080706001	2	BEARING, BALL 6001LU	
33	90070200028	1	CIRCLIP 28	
34	A556000030	1	DRUM, CLUTCH	
35	A553000010	2	SHOE, CLUTCH	
36	V451000090	1	SPRING, CLUTCH	
37	17504805530	2	WASHER	
38	17504956030	2	WASHER	
39	17504656030	2	SHAFT, CLUTCH	
40	90016205018	2	BOLT, H.S. 5X18	
41	90016205028	1	BOLT, H.S. 5X28	
	ENGINE REPOWER SB1039	1	SHORT BLOCK	INCLUDES FACTORY ASSEMBLED CYLINDER, CRANKCASE, PISTON, CRANKSHAFT, BEARINGS, SEALS & GASKETS
	88900057730	1	GASKET KIT	



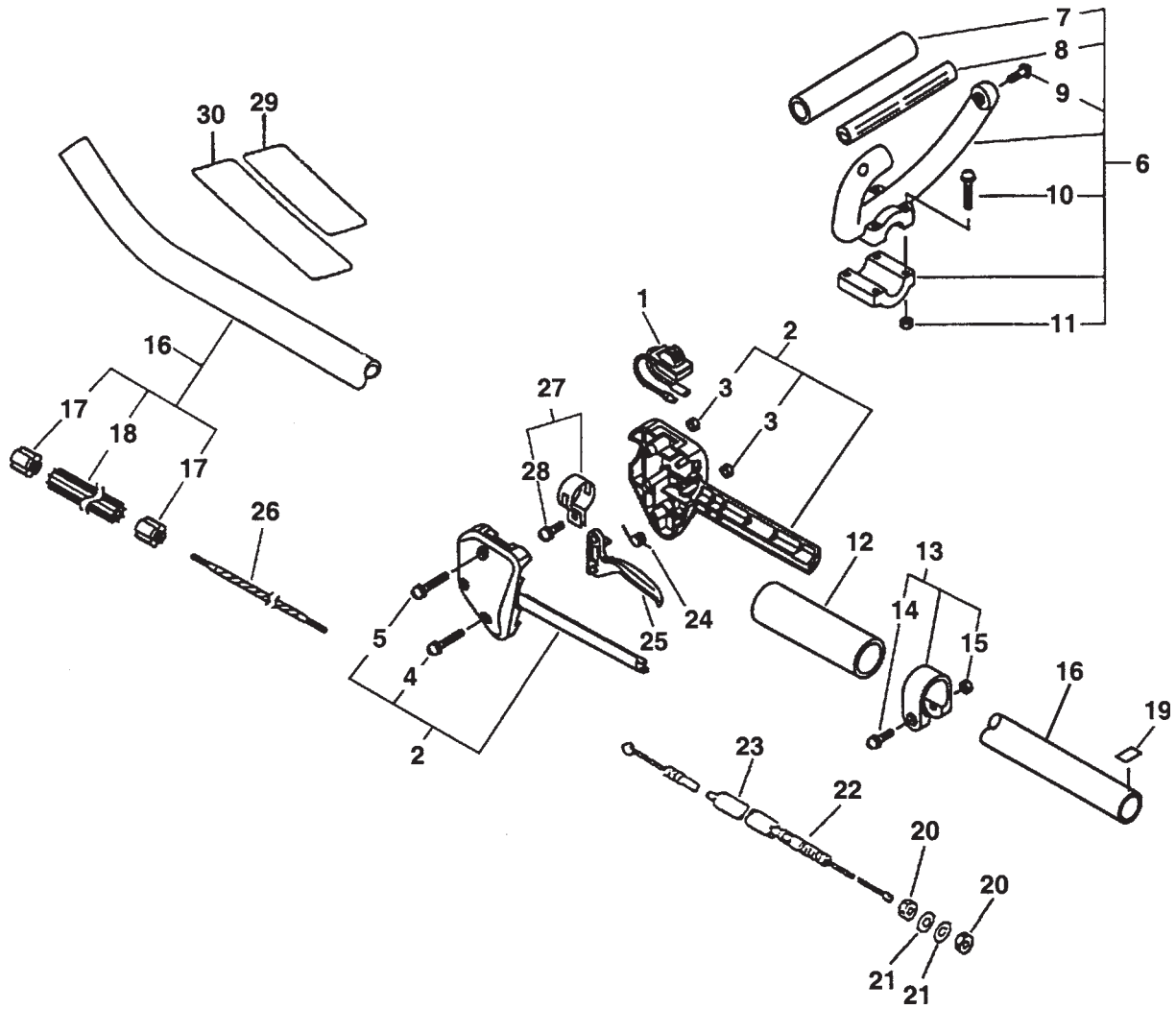
ITEM	PART NUMBER	QTY	DESCRIPTION	REMARKS
1	16201056430	1	LEAD	
2	15611240630	1	GROMMET	
3	15901203433	1	CAP, SPARK PLUG	
4	15901103432	1	COIL, SPARK PLUG CAP	
5	99944500071	1	PLUG, SPARK (BPM-7Y)	
5	15901010230	1	PLUG, SPARK (BPMR-7A)	CANADIAN MODELS ONLY
6	15262656032	1	COIL, IGNITION	
7	90010605020	2	BOLT, H.S. 5X20	
8	90024205010	1	SCREW 5X10	
9	16201452930	1	LEAD, GROUND	
10	90050200008	1	NUT 8	
11	90060500008	1	WASHER, SPRING 8	
12	90060000008	1	WASHER 8	
13	15280155930	1	FLYWHEEL	
14	17720240630	1	PAWL ASY, STARTER	INCLUDES ITEMS 15 - 17
15	90070000004	1	E-RING 4	
16	17723440630	1	SPRING, RETURN	
17	17721840630	1	PAWL, STARTER	
18	90050200008	1	NUT 8	
19	17720055931	1	STARTER ASY	INCLUDES ITEMS 20 - 26
20	17723644330	1	SCREW	
21	17721540630	1	DRUM, STARTER	
22	-----	1	ROPE, STARTER - 3.8X950mm	BULK OPTION: 99944400050
23	17722742030	1	GUIDE, ROPE	
24	17722827030	1	GRIP, STARTER	
25	17722040630	1	SPRING, REWIND	
26	90056500005	1	NUT	
27	90016204014	4	BOLT, H.S. 4X14	
28	89011849130	1	LABEL, ECHO	



PE-2601 TYPE 1E

INTAKE, EXHAUST, FUEL SYSTEM, STAND

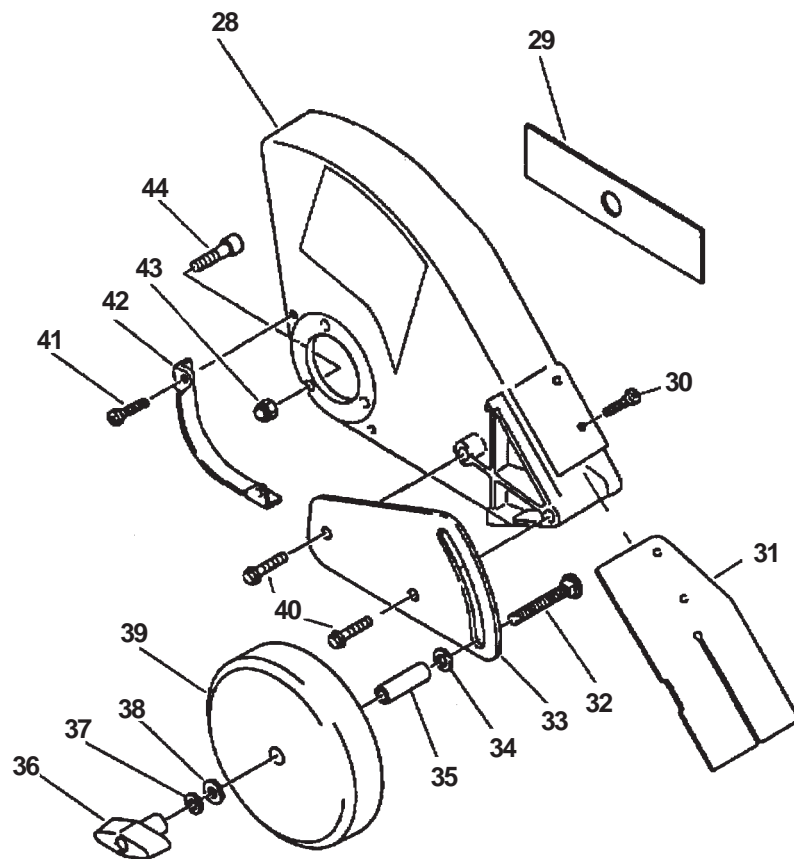
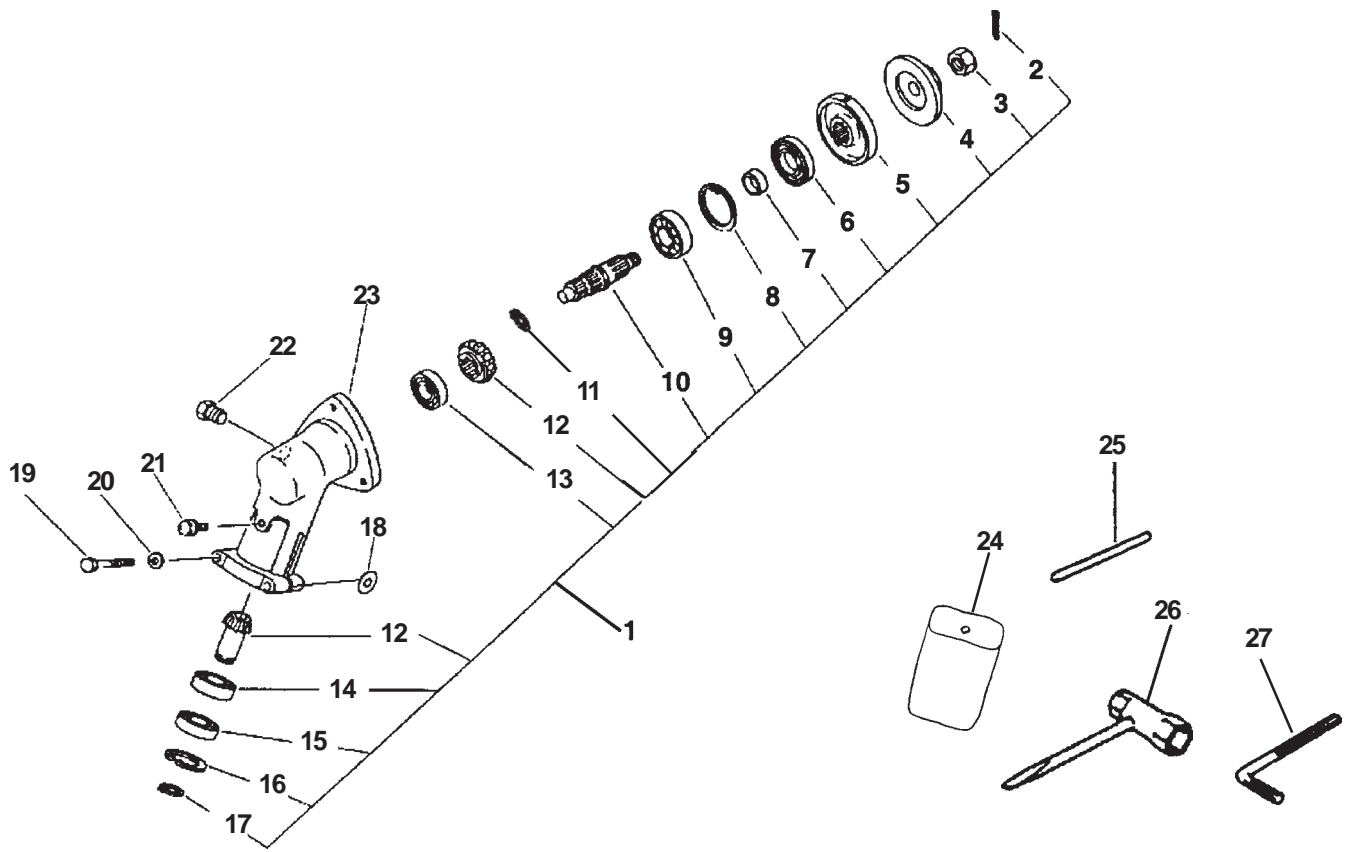
ITEM	PART NUMBER	QTY	DESCRIPTION	REMARKS
1	13040652130	1	KNOB, FASTENER	
2	13031357731	1	LID, CLEANER	
3	13031051830	1	FILTER, AIR	USE KIT 90030
4	12901157730	1	PLATE, PREVENT	
5	13030757730	1	CASE, AIR CLEANER	
6	12300057730	1	CARBURETOR ASY (WYJ-192)	
7	13001013410	1	GASKET, INTAKE	USE GASKET KIT 88900057730
8	13001756430	1	INSULATOR	
9	13001055930	1	GASKET, INTAKE	USE GASKET KIT 88900057730
10	90016205025	2	BOLT, H.S. 5X25	
11	90024205055	2	SCREW 5X55 (W/W.SW)	
12	89012155230	1	LABEL, CHOKE	
13	14580057731	1	MUFFLER ASY	INCLUDES ITEMS 14 - 19
14	14551055931	1	GASKET, MUFFLER	
15	14586240630	1	SCREEN, MUFFLER	
16	14586642031	1	GASKET, MUFFLER LID	USE GASKET KIT 88900057730
17	14587642030	1	LID, MUFFLER	
18	14581852130	1	GUIDE, EXHAUST	
19	90023804010	3	SCREW 4X10	
20	90060000005	2	WASHER 5	
21	90010505055	2	BOLT, H.S. 5X55	
22	90016205012	2	BOLT, H.S. 5X12	
23	14562157730	1	COVER, MUFFLER	
24	13201052030	1	PIPE	
25	13130056430	1	VALVE, CHECK	USE KIT 90010
26	13201326630	2	CLIP	
27	43721720760	1	PIPE 3X6X100	
28	13211555930	1	GROMMET, FUEL	
29	13120530830	1	STRAINER, FUEL	USE KIT 90030
30	13100556531	1	TANK, FUEL	
31	90023905016	2	SCREW 5X16	
32	13104528230	2	SPACER	
33	90024405020	1	SCREW	
34	90016205022	2	BOLT, H.S. 5X22	
35	30511057732	1	STAND	
36	13100455830	1	CAP ASY, FUEL TANK	INCLUDES ITEM 37
37	13101655830	1	GASKET, FUEL CAP	
38	43721520760	1	PIPE 3X6X60	



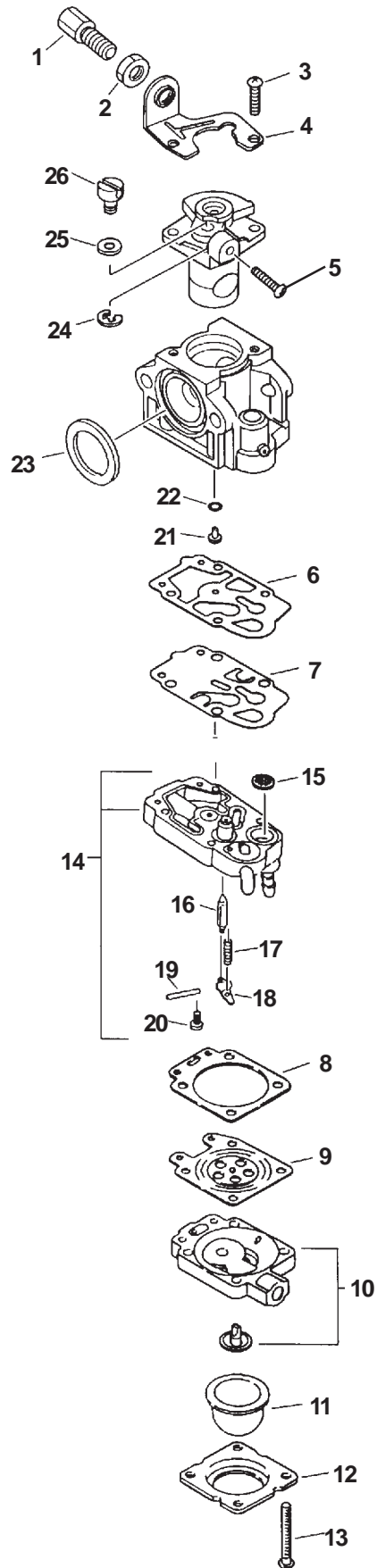
PE-2601 TYPE 1E

DRIVE SHAFT, HANDLES, THROTTLE, STOP SWITCH

ITEM	PART NUMBER	QTY	DESCRIPTION	REMARKS
1	16340052430	1	SWITCH, IGNITION	
2	17800352130	1	BRACKET SET, THROTTLE	INCLUDES ITEMS 3 - 5
3	90050000005	2	NUT 5	
4	90024205025	1	SCREW 5X25	
5	90024205035	1	SCREW 5X35	
6	35120151730	1	HANDLE ASY, LOOP	INCLUDES ITEMS 7 - 11
7	35121351730	1	GRIP, FRONT HANDLE	
8	35121051730	1	HANDLE, FRONT	
9	90024605030	2	SCREW, TAPPING	
10	90024205035	4	SCREW 5X35	
11	90050000005	4	NUT 5	
12	35121352130	1	GRIP, FRONT HANDLE	
13	61027252130	1	BAND	INCLUDES ITEMS 14 & 15
14	90024205028	1	SCREW 5X28	
15	90050000005	1	NUT 5	
16	61020652630	1	HOUSING ASY, DRIVE SHAFT	INCLUDES ITEMS 17 & 18
17	61024644730	1	FIXTURE, LINER	
18	61021744730	1	LINER, FLEXIBLE	
19	89015204930	1	LABEL, CAUTION	
20	90050200006	2	NUT 6 (3)	
21	90060000006	2	WASHER 6	
22	17800156530	1	WIRE, THROTTLE	
23	17812706960	1	TUBE	
24	17804342230	1	SPRING, THROTTLE RETURN	
25	17801052130	1	CONTROL, THROTTLE	
26	61001344730	1	SHAFT, FLEXIBLE	
27	30120029430	1	BAND	INCLUDES ITEM 28
28	90024205014	1	SCREW 5X14	
29	89016025560	1	LABEL, CAUTION	
30	89016052631	1	LABEL, CAUTION	



ITEM	PART NUMBER	QTY	DESCRIPTION	REMARKS
1	61040252630	1	HOUSING ASY, GEAR	INCLUDES ITEMS 2 - 23
2	90030020022	1	PIN, SPLIT 2X22	
3	90051300010	1	NUT 10 (L-H)	
4	61031404131	1	PLATE, ADAPTER (L)	
5	61031307130	1	PLATE, ADAPTER (U)	
6	61041307130	1	OILSEAL	
7	61031507130	1	SPACER	
8	90070200032	1	CIRCLIP 32	
9	90081006201	1	BEARING, BALL 6201	
10	61036008931	1	SHAFT, P.T.O.	
11	90070600010	1	CIRCLIP 10	
12	61030052630	1	GEAR SET, BEVEL	
13	90080000609	1	BEARING, BALL 609	
14	90085506900	1	BEARING, BALL 6900	
15	90085806900	1	BEARING, BALL 6900	
16	90070200022	1	CIRCLIP 22	
17	90070600012	1	CIRCLIP 12	
18	61023904130	2	WASHER, SHIM	
19	90010005030	2	BOLT 5X30	
20	90060000005	2	WASHER 5	
21	61043450030	1	BOLT 8X6	
22	90024205010	1	SCREW 5X10	
23	61046027430	1	HOUSING, GEAR	
24	89851007130	1	BAG, TOOL	
25	89751801131	1	LOCKING TOOL	
26	89541008030	1	WRENCH, W/SCREWDRIVER	
27	89561000130	1	"L" ALLEN WRENCH	
28	69901052830	1	SHIELD, BLADE	
29	69601552632	1	2-CUTTER BLADE	
30	90008000200	2	SCREW 4X20	
31	69901755330	1	SHIELD, BLADE	
32	61025055330	1	BOLT 5/16-18X2-1/2	
33	30202955330	1	BRACKET, WHEEL	
34	90060200010	1	WASHER 10	
35	30242452630	1	COLLAR 12	
36	17811355330	1	NUT, WING 5/16-18	
37	90060500008	1	WASHER, SPRING 8	
38	90060200008	1	WASHER 8	
39	30241052631	1	WHEEL 6X1.5	
40	90008000100	2	SCREW 8	
41	90008000300	2	SCREW 4X16	
42	69902552630	1	PLATE, PROTECTION	
43	90056250005	3	LOCKNUT 5	
44	90016205022	3	BOLT, H.S. 5X22	



ITEM	PART NUMBER	QTY	DESCRIPTION	REMARKS
	12300057730	1	CARBURETOR WYJ-192	INCLUDES THE FOLLOWING ITEMS
1	12316156431	1	SCREW, ADJUSTER	
2	12315356430	1	NUT, ADJUSTER	
3	12311440630	2	SCREW	
4	12312854230	1	BRACKET, IDLE ADJUST	
5	12313440030	1	SCREW, IDLE ADJUST	
6	A B	1	GASKET, PUMP	
7	A B	1	DIAPHRAGM, PUMP	
8	A B	1	GASKET, METERING DIAPHRAGM	
9	A B	1	DIAPHRAGM, METERING	
10	12318005560	1	BODY, AIR PURGE	
11	12318140630	1	PUMP, PURGE	
12	12314205560	1	COVER, PURGE PUMP	
13	12311005560	4	SCREW, PUMP COVER	
14	12317905560	1	BODY ASY, PUMP	INCLUDES ITEMS 15 - 20
15	A	1	SCREEN, INLET	
16	A	1	VALVE, INLET NEEDLE	
17	12312205560	1	SPRING, METERING LEVER	
18	A	1	LEVER, METERING	
19	12313803930	1	PIN, METERING LEVER	
20	12313905560	1	SCREW, METERING LEVER PIN	
21	12318457730	1	JET, MAIN	
22	12318340630	1	O-RING	
23	A B	1	RING, PACKING	
24	12317307930	1	CLIP	
25	12314954230	1	WASHER	
26	12317245130	1	SWIVEL	
A	12310057730	1	REPAIR KIT	
B	12310157730	1	DIAPHRAGM/GASKET KIT	