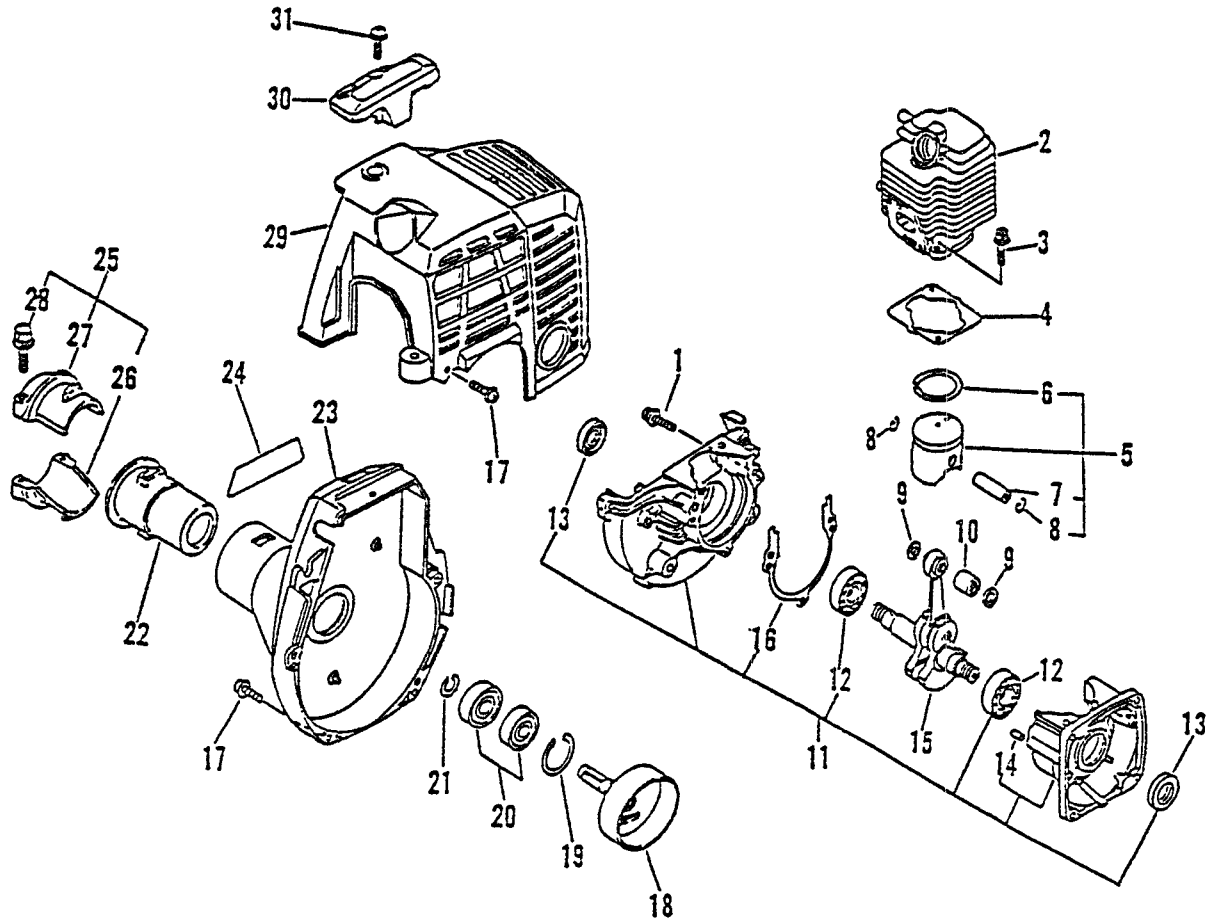




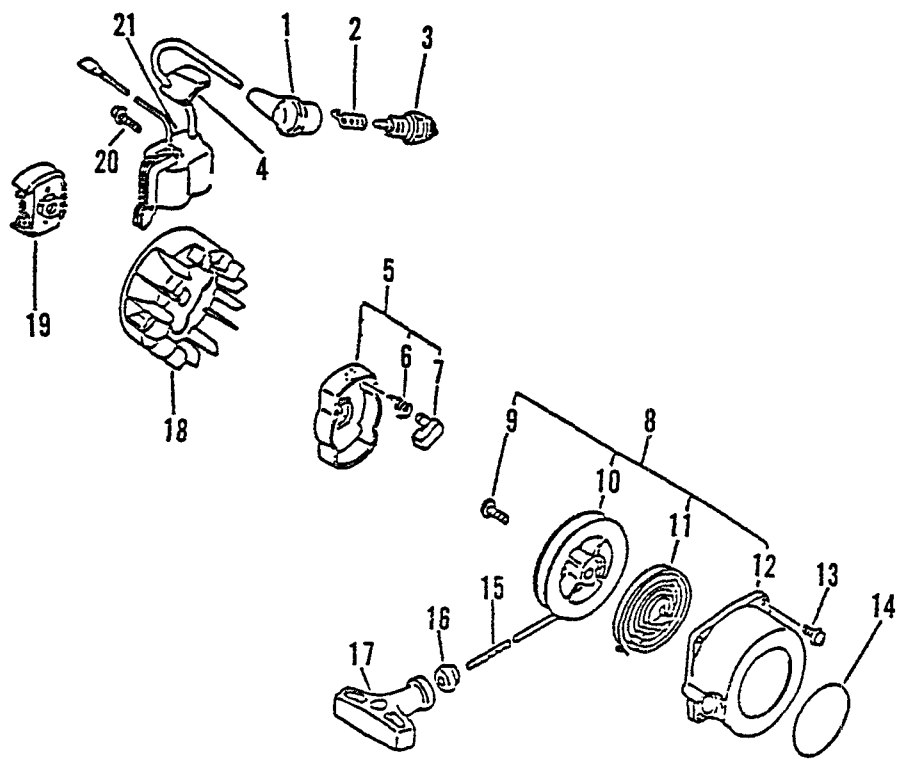
**POWER EDGER
PARTS CATALOG
MODEL LHE-2475
SERIAL NUMBER 001001 - 002703**

**ECHO, INCORPORATED
400 OAKWOOD ROAD
LAKE ZURICH, IL 60047**

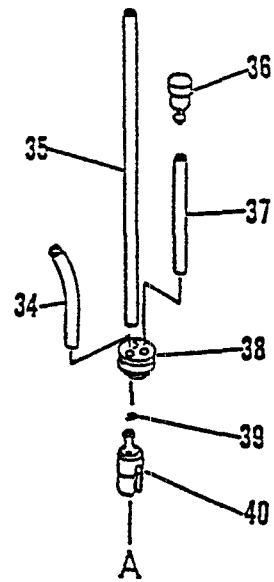
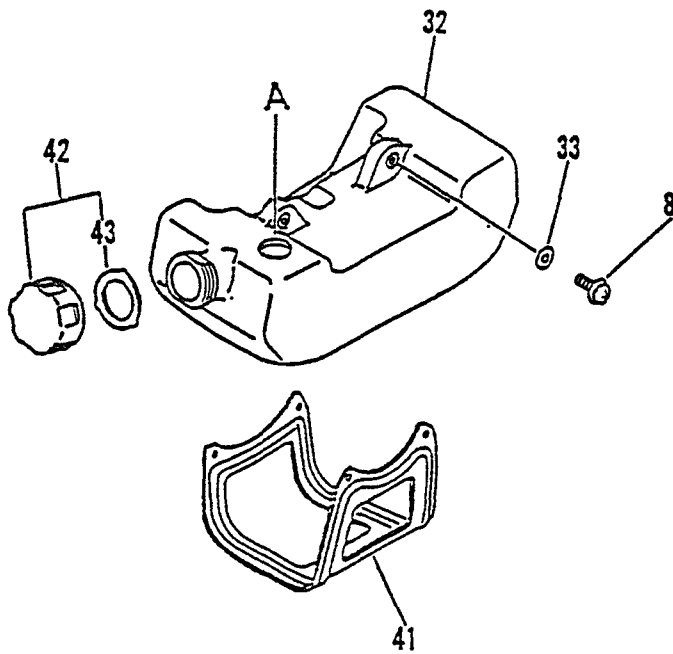
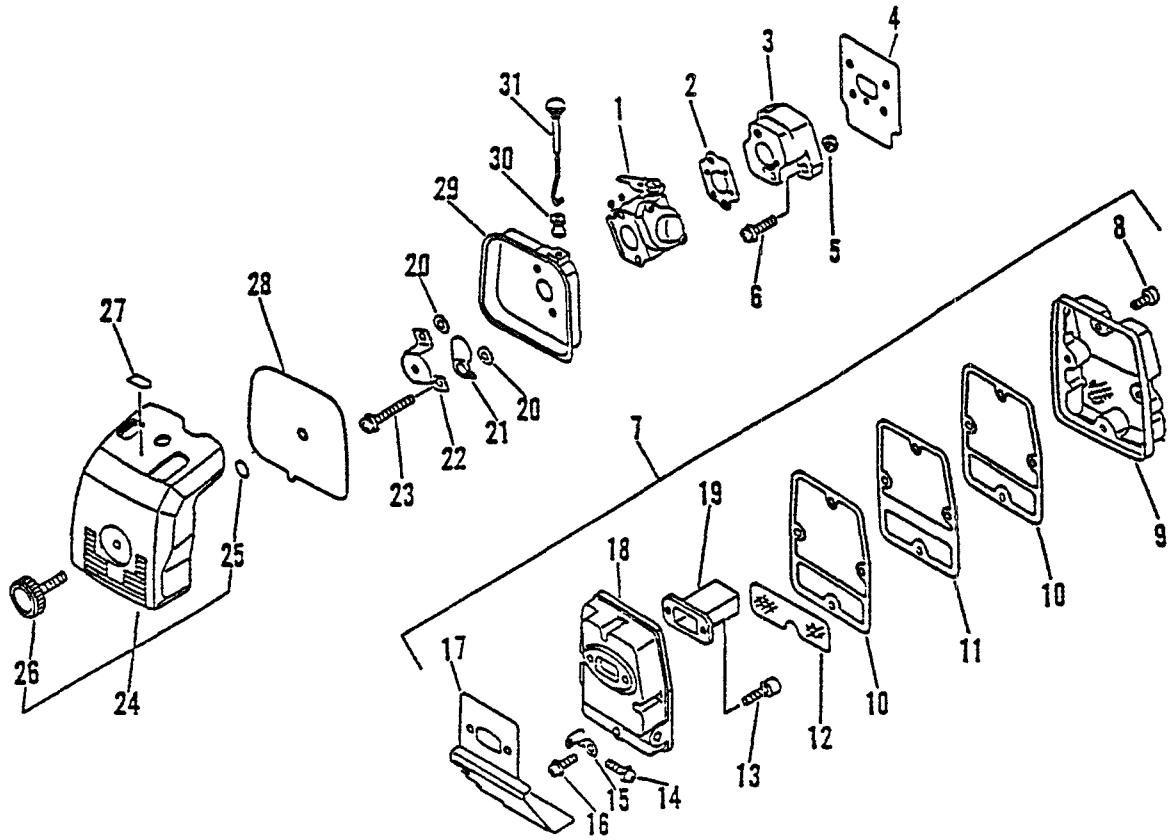
**99922202368
03/94**



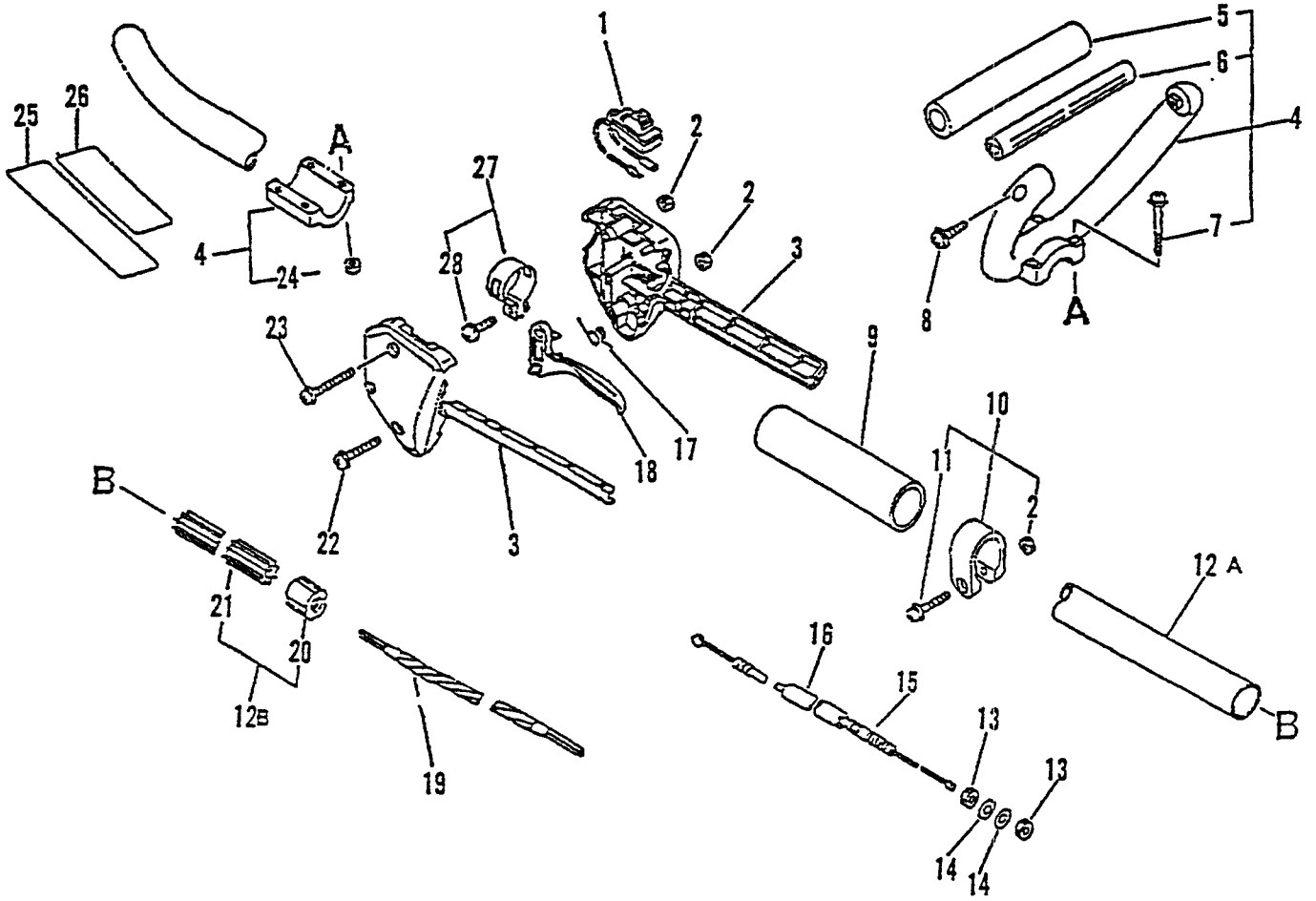
KEY	PART NUMBER	QTY	DESCRIPTION	REMARKS
1	900162 05028	3	SCREW 5X28	
2	101011 09560	1	CYLINDER	
3	900162 05022	2	BOLT, H.S. 5X22	
4	101010 44331	1	GASKET, CYLINDER BASE	USE GASKET KIT 889000 51030
5	100000 52130	1	PISTON KIT	INCLUDES ITEMS 6 - 8
6	100011 21230	1	RING, PISTON	
7	100013 11520	1	PIN, PISTON	
8	100015 04630	2	CIRCLIP, PISTON PIN	
9	100014 11520	2	SPACER, PISTON PIN	
10	100012 51230	1	BEARING, NEEDLE	
11	100204 51030	1	CRANKCASE KIT	INCLUDES ITEMS 1, 12 - 14, 16
12	900810 36201	2	BEARING, BALL 6201	
13	100212 42030	2	OILSEAL	
14	100215 03930	2	PIN, DOWEL	
15	100100 52130	1	CRANKSHAFT	
16	-----	1	GASKET, CRANKCASE	USE GASKET KIT 889000 51030
17	900162 04016	4	SCREW 4X16	
18	175005 48930	1	DRUM, CLUTCH	
19	900702 00028	1	CIRCLIP 28	
20	900807 06001	2	BEARING, BALL 6001	
21	900701 00012	1	CIRCLIP 12	
22	610910 27832	1	CUSHION	
23	101503 52130	1	COVER ASY, FAN	
24	890115 54630	1	LABEL, MODEL	
25	610903 27432	1	HOLDER KIT	INCLUDES ITEMS 26 - 28
26	610923 27432	1	HOLDER	
27	610922 27432	1	HOLDER	
28	900142 05025	2	BOLT 5X25	
29	101514 53130	1	COVER, CYLINDER	
30	159912 48930	1	GUARD, TOP	
31	900238 05016	1	SCREW 5X16	
ENGINE REPOWER				
	SB1024	1	SHORT BLOCK	INCLUDES FACTORY ASSEMBLED CYLINDER, CRANKCASE, PISTON, CRANKSHAFT, BEARINGS, SEALS & GASKETS
	889000 51030	1	GASKET KIT	INCLUDES THE FOLLOWING ITEMS
	101010 44331	1	GASKET, CYLINDER BASE	
	-----	1	GASKET, CRANKCASE	
	130016 42031	1	GASKET, INTAKE	
	130010 42032	1	GASKET, INTAKE	
	145866 51030	2	GASKET, MUFFLER LID	
	145510 51030	1	GASKET, MUFFLER	



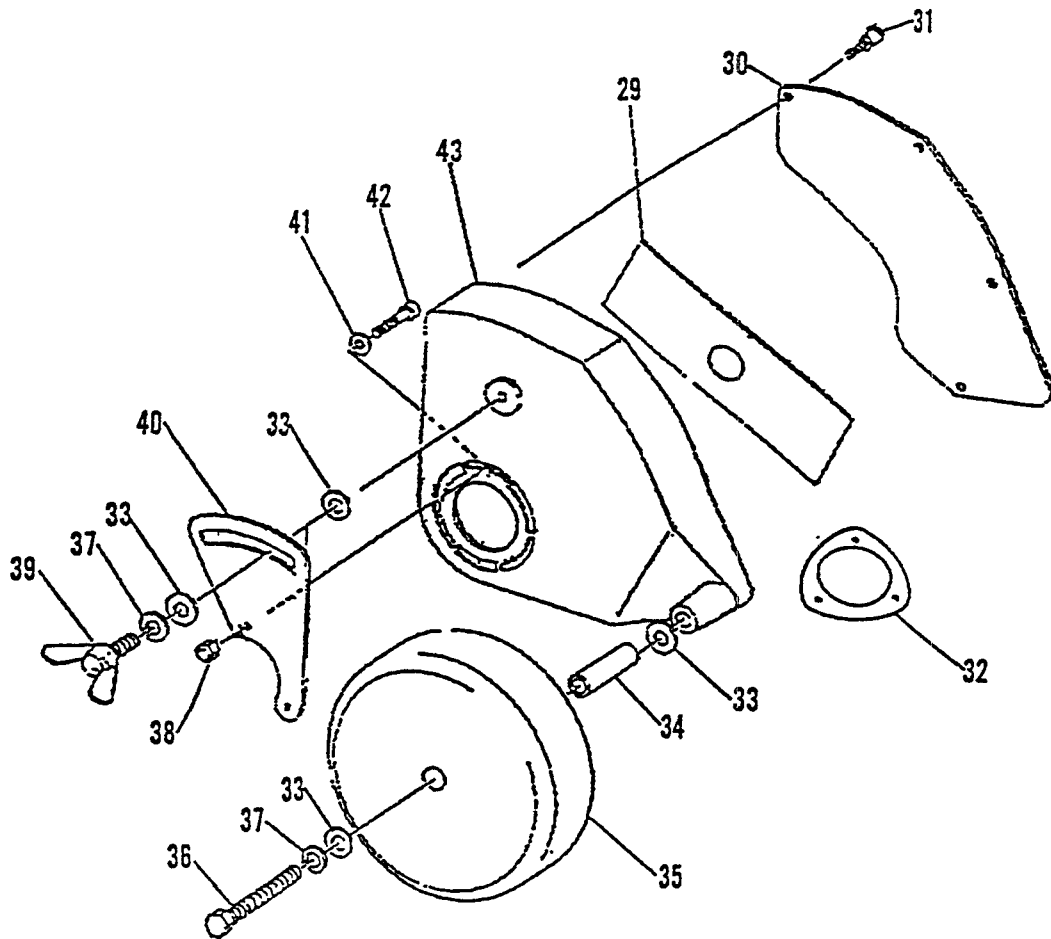
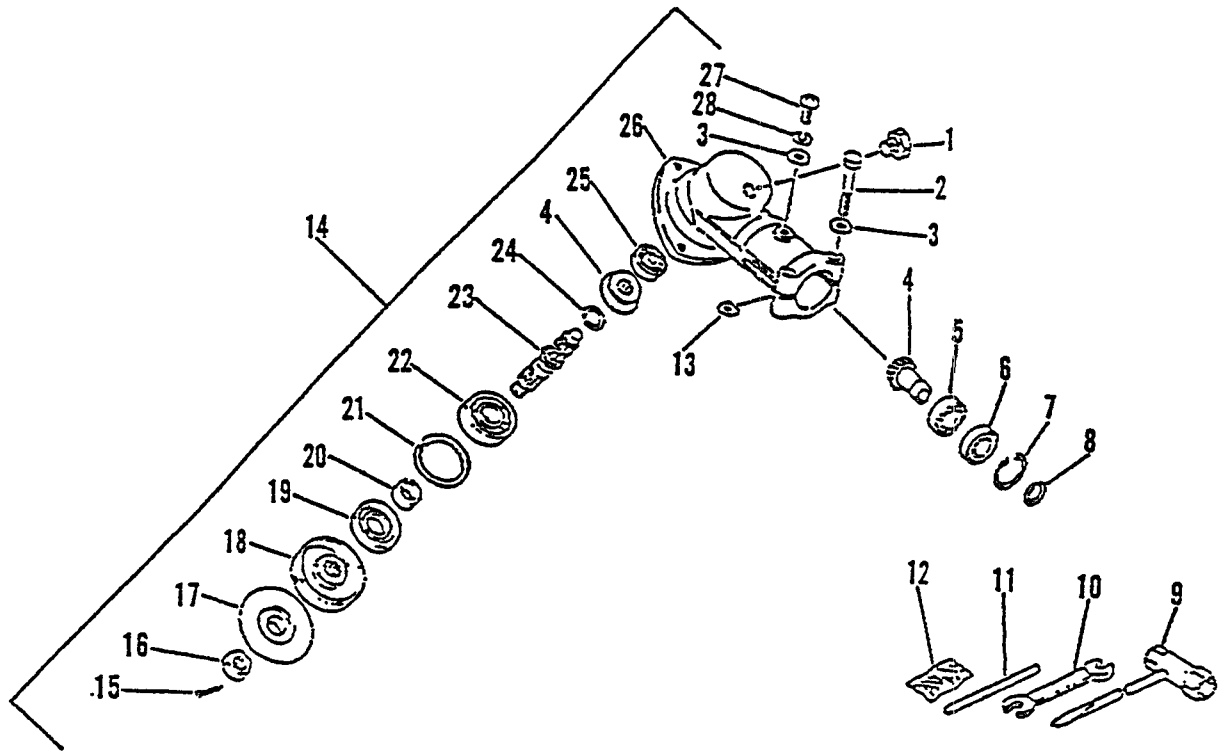
KEY	PART NUMBER	QTY	DESCRIPTION	REMARKS
1	159012 01620	1	CAP, SPARK PLUG	
2	159011 03432	1	COIL, SPARK PLUG CAP	
3	999445 00071	1	PLUG, SPARK BPM-7Y	
4	156112 40630	1	GROMMET	
5	177202 44330	1	PAWL ASY, STARTER	INCLUDES ITEMS 6 & 7
6	177234 42030	1	SPRING, RETURN	
7	177218 44330	1	PAWL, STARTER	
8	177200 42031	1	STARTER ASY	INCLUDES ITEMS 9 - 12, 15 - 17
9	177236 44330	1	SCREW	
10	177215 42030	1	DRUM, STARTER	
11	177220 42030	1	SPRING, REWIND	
12	177232 42031	1	CASE, STARTER	
13	900162 04016	4	SCREW 4X14	
14	890115 07960	1	LABEL, LESCO	
15	177226 05530	1	ROPE, STARTER	USE BULK ROPE 999444 00040 DIA. 3MM (.12 IN) X 890MM (35.0 IN)
16	177227 42030	1	GUIDE, ROPE	
17	177228 06530	1	GRIP, STARTER	
18	156801 44730	1	FLYWHEEL	
19	175000 42031	1	CLUTCH ASY	
20	900162 04022	2	SCREW 4X22	
21	156601 44730	1	COIL, IGNITION	



KEY	PART NUMBER	QTY	DESCRIPTION	REMARKS
1	125200 52131	1	CARBURETOR C1U-K23A	
2	130016 42031	1	GASKET, INTAKE	
3	130017 42031	1	INSULATOR	
4	130010 42032	1	GASKET, INTAKE	
5	900500 00005	2	NUT 5	
6	900238 05020	2	SCREW 5X20	
7	145800 52130	1	MUFFLER ASY	INCLUDES ITEMS 8 - 13, 15 - 19
8	900238 05016	6	SCREW 5X16	
9	145861 51030	1	LID, MUFFLER	
10	145866 51030	2	GASKET, MUFFLER LID	
11	145880 52130	1	SILENCER	
12	145862 51030	1	SCREEN, MUFFLER	
13	900105 05018	2	BOLT, H.S. 5X18	
14	900238 05014	1	SCREW 5X14	
15	145711 51030	1	STAY, MUFFLER	
16	900238 05010	1	SCREW 5X10	
17	145510 51030	1	GASKET, MUFFLER	
18	145810 52130	1	MUFFLER	
19	145859 52130	1	DIFFUSER, MUFFLER	
20	178516 00830	2	WASHER 5	
21	178515 05060	1	SHUTTER, CHOKE	
22	129011 51730	1	PLATE	
23	900242 05057	2	SCREW 5X57	
24	130302 48930	1	COVER ASY, AIR CLEANER	INCLUDES ITEMS 25 & 26
25	900720 00003	1	O-RING 3	
26	130406 16331	1	NUT, THUMB	
27	890121 51730	1	LABEL, CHOKE	
28	130310 52130	1	FILTER, AIR (H.D.)	
29	130314 48930	1	CASE, AIR CLEANER	
30	178810 05230	1	GROMMET, CHOKE	
31	178510 52330	1	KNOB, CHOKE	
32	131005 44330	1	TANK, FUEL	
33	900603 00005	1	WASHER 5	
34	132012 51030	1	PIPE 3X5X90	
35	132010 13930	1	PIPE, FUEL	
36	131300 40630	1	VENT ASY	
37	131312 44330	1	PIPE 3X5X70	
38	132115 46730	1	GROMMET, FUEL	
39	132013 09820	1	CLIP	
40	131205 07320	1	STRAINER, FUEL	
41	305110 42030	1	STAND	
42	131004 40930	1	CAP ASY, FUEL TANK	INCLUDES ITEM 43
43	131016 40930	1	GASKET, FUEL TANK CAP	



KEY	PART NUMBER	QTY	DESCRIPTION	REMARKS
1	163400 46830	1	SWITCH, IGNITION	
2	900500 00005	3	NUT 5	
3	178003 52130	1	BRACKET SET, THROTTLE	INCLUDES ITEMS 2, 22 & 23
4	351201 51730	1	HANDLE ASY, LOOP	INCLUDES ITEMS 5 - 8 & 24
5	351213 51730	1	GRIP, FRONT HANDLE	
6	351210 51730	1	HANDLE, FRONT	
7	900242 06035	2	SCREW 6X35	
8	900246 05030	2	SCREW 5X30	
9	351213 52130	1	GRIP, FRONT HANDLE	
10	610272 52130	1	BAND 25	INCLUDES ITEMS 2 & 11
11	900242 05028	1	SCREW 5X28	
12	610206 52630	1	HOUSING ASY, DRIVESHAFT	INCLUDES ITEMS 20 & 21
13	900502 00006	2	NUT 6 (3)	
14	900600 00006	2	WASHER 6	
15	178001 44430	1	WIRE, THROTTLE	
16	178127 52130	1	TUBE	
17	178043 42230	1	SPRING, THROTTLE RETURN	
18	178010 53030	1	CONTROL, THROTTLE	
19	610013 44730	1	SHAFT, FLEXIBLE	
20	610246 44730	1	FIXTURE, LINER	
21	610217 44730	1	LINER, FLEXIBLE	
22	900242 05025	1	SCREW 5X25	
23	900242 05035	1	SCREW 5X35	
24	900500 00006	2	NUT 6	
25	890160 54630	1	LABEL, CAUTION	
26	890178 54630	1	LABEL, CAUTION	
27	301200 29430	1	BAND	INCLUDES ITEMS 28
28	900242 05014	1	SCREW 5X14	



KEY	PART NUMBER	QTY	DESCRIPTION	REMARKS
1	900100 08008	1	BOLT 8X8	
2	900100 05035	2	BOLT 5X35	
3	900600 00005	2	WASHER 5	
4	610300 44830	1	GEAR SET, BEVEL	
5	900855 06900	1	BEARING, BALL 6900	
6	900858 06900	1	BEARING, BALL 6900	
7	900702 00022	1	CIRCLIP 22	
8	900706 00012	1	CIRCLIP 12	
9	895410 08030	1	WRENCH, W/SCREWDRIVER	
10	895112 00330	1	SPANNER 8X10	
11	897518 01131	1	LOCKING TOOL	
12	898502 01130	1	PIN 2X22 (W/POUCH)	
13	610239 04130	2	WASHER, SHIM	
14	610402 52130	1	HOUSING ASY, GEAR	INCLUDES ITEMS 1 - 8, 13, 15 - 28
15	900300 20022	1	PIN, SPLIT 2X22	
16	900511 00010	1	NUT 10 (L-H)	
17	610314 04131	1	PLATE, ADAPTER (L)	
18	610313 07130	1	PLATE, ADAPTER (U)	
19	610413 07130	1	OILSEAL	
20	610315 07130	1	SPACER	
21	900702 00032	1	CIRCLIP 32	
22	900810 06201	1	BEARING, BALL 6201	
23	610360 08931	1	SHAFT, P.T.O.	
24	900706 00010	1	CIRCLIP 10	
25	900800 00609	1	BEARING, BALL 609	
26	610460 27430	1	HOUSING, GEAR	
27	900242 05010	1	SCREW 5X10	
28	900605 00005	1	WASHER, SPRING 5	
29	696015 52631	1	CUTTER	
30	699017 52630	1	SHIELD, BLADE COVER	
31	900162 04010	4	BOLT, H.S. 4X10	
32	699018 40830	1	BRACKET, SHIELD	
33	900602 00008	4	WASHER 8	
34	302424 52630	1	COLLAR 12	
35	302410 52630	1	WHEEL 6X1.5	
36	900100 08060	1	BOLT 8X60	
37	900605 00008	2	WASHER, SPRING 8	
38	900560 00005	3	NUT, LOCK	
39	900145 08020	1	BOLT, WING 8X20	
40	699011 52630	1	BRACKET, SHIELD	
41	900608 00005	3	WASHER	
42	900105 05025	3	BOLT, H.S. 5X25	
43	699010 52630	1	SHIELD, BLADE	SEE NOTE

NOTE: REFER TO PARTS BULLETIN ON FOLLOWING PAGE WHEN REPLACING BLADE SHIELD
699010 52630

REVISED 03/94

PARTS BULLETIN

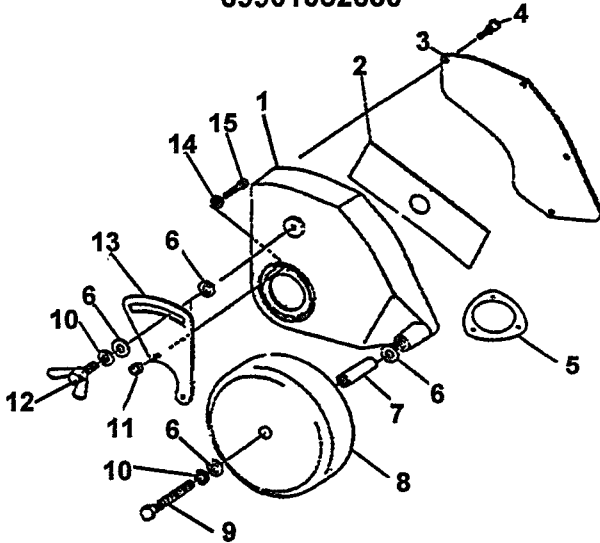
DATE: 02/22/94

NUMBER: 94-01LI

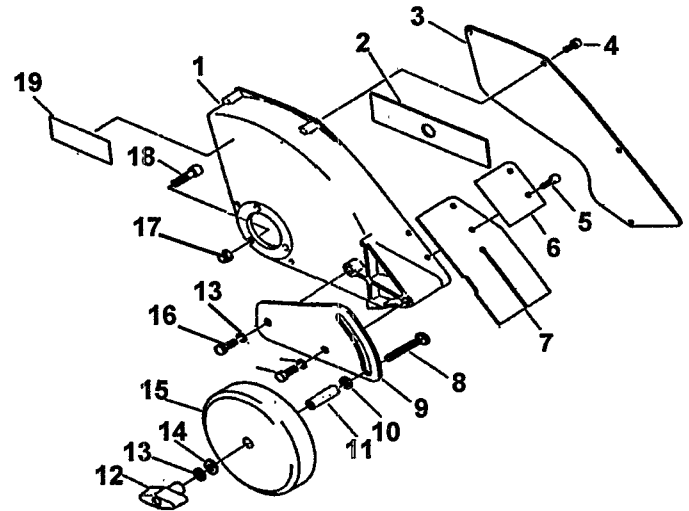
SUBJECT	MODEL	SERIAL NUMBER
EDGER BLADE SHIELD	LHE-2475	001001 & UP

The Edger blade shield and rear wheel height adjuster have been redesigned for increased durability and ease of adjustment. The new shield supersedes the current shield requiring some new parts and retrofit of existing parts. Listed below are the parts breakouts for current and new shield assemblies. Parts shown with an asterisk (*) on the current shield assembly can be retrofitted on to the new shield. Parts shown with a plus (+) sign on the new shield assembly must be ordered to complete new blade shield retrofit.

CURRENT BLADE SHIELD
69901052630



SUPERSEDING BLADE SHIELD
69901055330

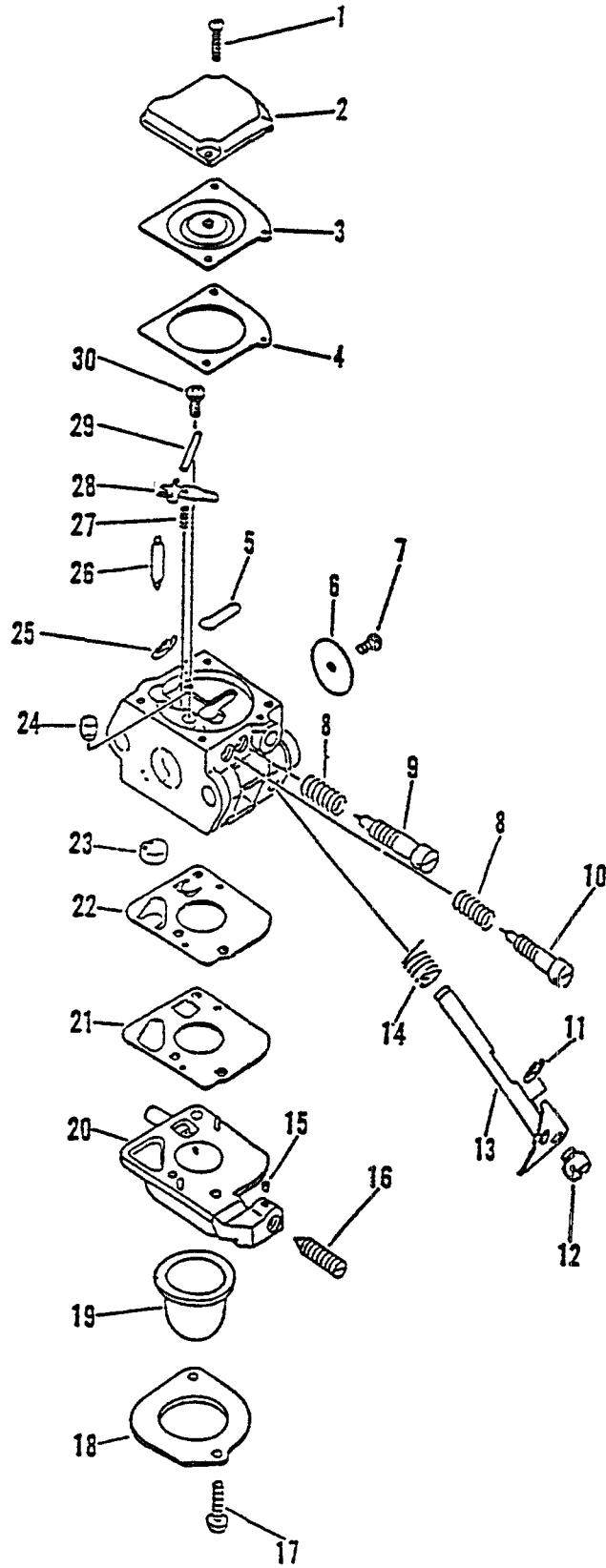


CURRENT BLADE SHIELD ASY

KEY	CURRENT PART NO.	QTY.	DESCRIPTION
1	69901052630	1	Shield, blade
*2	69601552631	1	Cutter
*3	69901752630	1	Shield, blade
*4	90016204012	4	Bolt, HS 4X12
5	69901840830	1	Bracket, shield
*6	90060200008	4	Washer 8
*7	30242452630	1	Collar 12
*8	30241052631	1	Wheel 6X15
9	90010008060	1	Bolt 8X60
*10	90060500008	2	Washer, spring
*11	90056200005	3	Nut, lock
12	90014508020	1	Bolt, wing 8x20
13	69901152630	1	Bracket, shield
14	90060800005	3	Washer
*15	90010505025	3	Bolt, HS 5X25

NEW BLADE SHIELD ASY

KEY	CURRENT PART NO.	QTY.	DESCRIPTION
+1	69901055330	1	Shield, blade
2	69601552631	1	Cutter
3	69901752630	1	Shield, blade
4	90016204012	4	Bolt, HS 4X12
+5	90016204014	2	Bolt, HS 4X14
+6	69901355330	1	Plate, shield
+7	69901755330	1	Shield, blade
+8	61025055330	1	Bolt, Carr. 5/16X18X2-1/2
+9	30202955330	1	Bracket, wheel
+10	90060200010	1	Washer 10
11	30242452630	1	Collar 12
+12	17811355330	1	Nut, wing
13	90060500008	3	Washer, spring 8
14	90060200008	1	Washer 8
15	30241052631	1	Wheel 6X15
+16	90010008014	2	Bolt 8X14
17	90056200005	3	Nut, lock 5
18	90016205025	3	Bolt, HS 5X25
+19	89016052630	1	Label, caution



KEY	PART NUMBER	QTY	DESCRIPTION	REMARKS
	125200 52131	1	CARBURETOR C1U-K23A	INCLUDES THE FOLLOWING ITEMS
1	125344 52130	2	SCREW	
2	125342 52130	1	COVER, DIAPHRAGM	
3	A B	1	DIAPHRAGM	
4	A B	1	GASKET, DIAPHRAGM	
5	A	1	PLUG, WELCH	
6	125316 42030	1	VALVE, THROTTLE	
7	125314 13930	1	SCREW	
8	125319 42030	2	SPRING, COIL	
9	125320 51230	1	NEEDLE, HIGH SPEED	
10	125318 51030	1	NEEDLE, IDLE	
11	125327 13930	1	CLIP	
12	125372 42030	1	SWIVEL	
13	125317 42030	1	SHAFT, THROTTLE	
14	125313 42030	1	SPRING, THROTTLE RETURN	
15	125378 13930	1	PIECE, FRICTION	
16	125334 13930	1	SCREW, IDLE ADJUST	
17	125310 11610	2	SCREW	
18	125363 11610	1	RING	
19	125381 46730	1	PUMP, PRIMER	
20	125324 11610	1	COVER, PUMP	
21	A B	1	GASKET, FUEL PUMP	
22	A B	1	DIAPHRAGM, FUEL PUMP	
23	A	1	STRAINER	
24	125376 51030	1	NOZZLE, CHECK VALVE	
25	125327 15130	1	CLIP	
26	A	1	VALVE, NEEDLE	
27	A	1	SPRING, COIL	
28	A	1	ARM, VALVE	
29	A	1	PIN	
30	125339 42030	1	SCREW	
A	125300 51330	1	REBUILD KIT	
B	125303 51030	1	GASKET/DIAPHRAGM KIT	