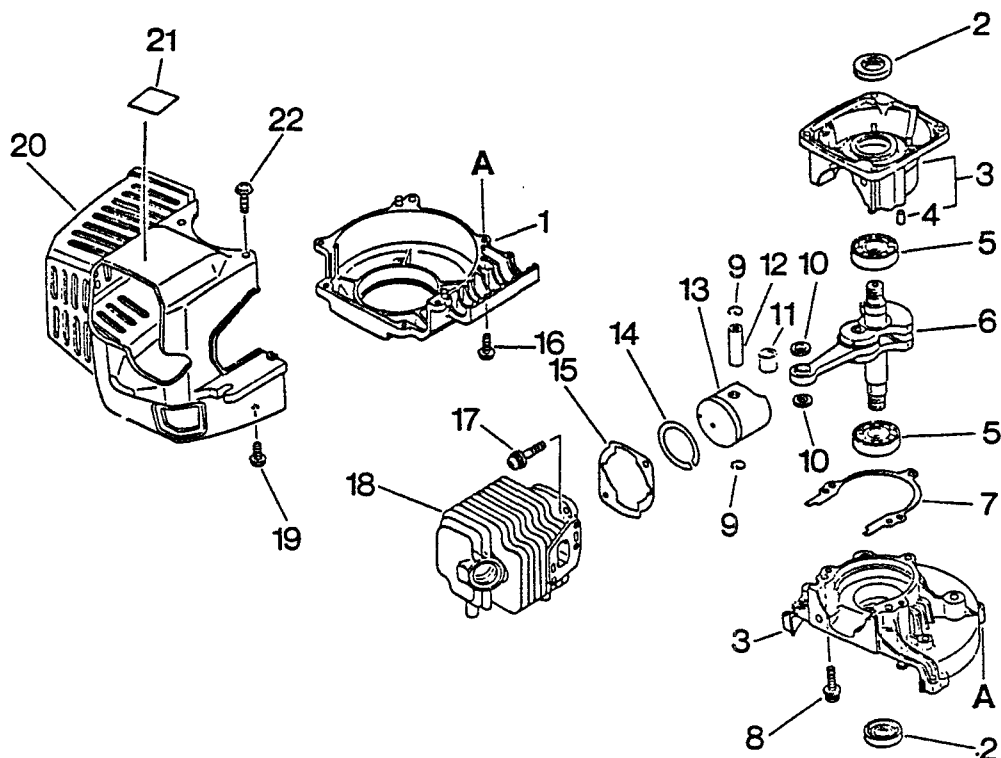




**HEDGE CLIPPER  
PARTS CATALOG  
MODEL HC-1001  
SERIAL NUMBER 024001 & UP**

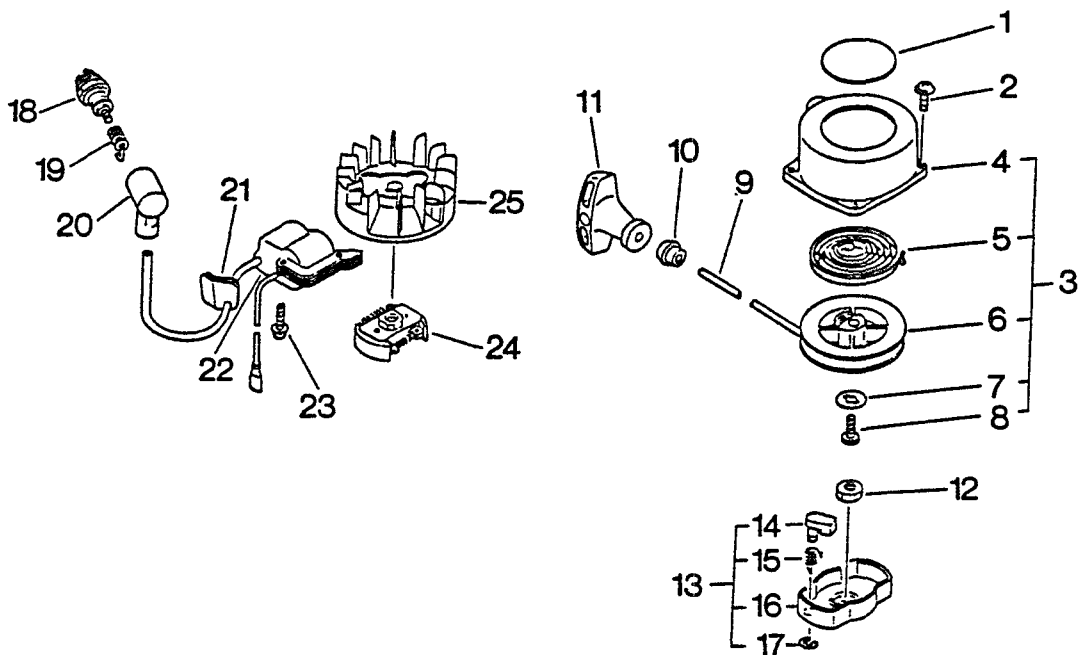
**ECHO, INCORPORATED  
400 OAKWOOD ROAD  
LAKE ZURICH, IL 60047**

**999222 02446  
08/93**



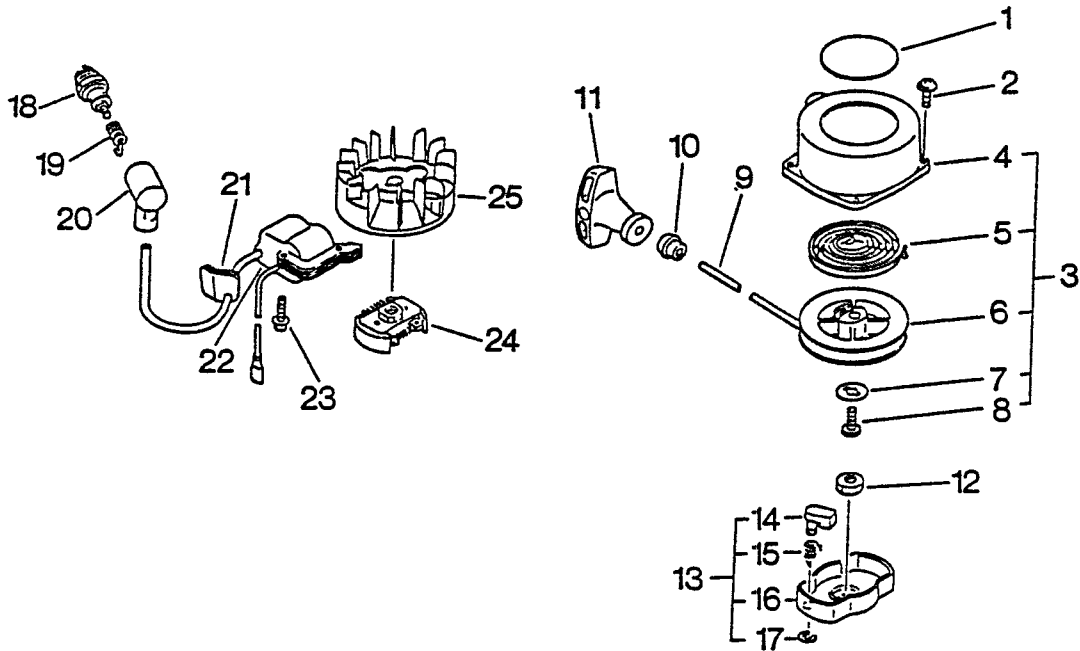
KEY	PART NUMBER	QTY	DESCRIPTION	REMARKS
1	101511 04560	1	COVER, FAN	
2	100212 42030	2	OILSEAL	
3	100200 42030	1	CRANKCASE SET	INCLUDES ITEM 4
4	100215 03930	2	PIN, DOWEL	
5	900810 36201	2	BEARING, BALL 6201	
6	100100 44330	1	CRANKSHAFT ASY	INCLUDES ITEM 9
7	-----	1	GASKET, CRANKCASE	USE KIT 889000 44333
8	900242 05028	3	SCREW 5X28	
9	100015 04630	2	CIRCLIP, PISTON PIN	
10	100014 11520	2	SPACER, PISTON PIN	
11	100012 11520	1	BEARING, NEEDLE	
12	100013 11520	1	PIN, PISTON	
13	100010 44330	1	PISTON	
14	100011 05330	1	RING, PISTON	
15	101010 42031	1	GASKET, CYLINDER BASE	USE KIT 889000 44333
16	900242 04014	4	SCREW 4X14	
17	900162 05022	2	SCREW 5X22	
18	101011 45230	1	CYLINDER	
19	900238 04016	2	SCREW 4X16	
20	101514 06460	1	COVER, CYLINDER(GRAY)	
21	890115 06460	1	LABEL, MODEL	
22	900238 04012	2	SCREW 4X12	

# HC-1001



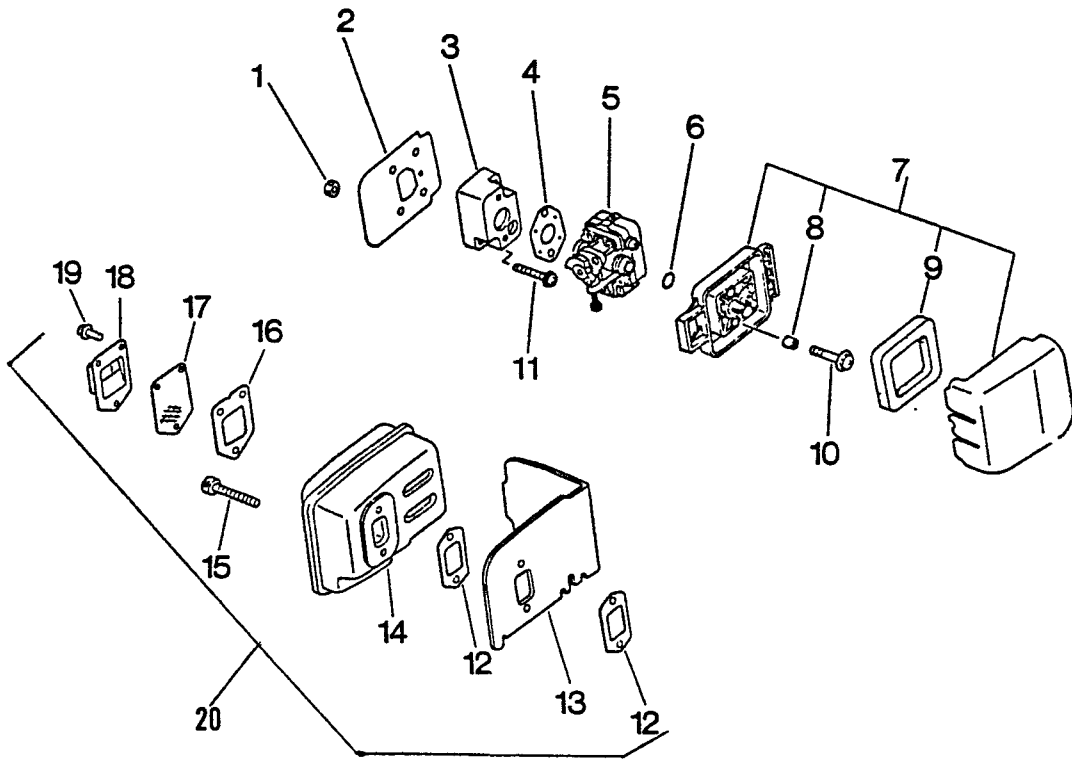
KEY	PART NUMBER	QTY	DESCRIPTION	REMARKS
1	890118 48830	1	LABEL, ECHO	
2	900242 04016	2	SCREW 4X16	
3	177200 42030	1	STARTER ASY	INCLUDES ITEMS 4 - 11
4	177232 42030	1	CASE, STARTER	
5	177220 42030	1	SPRING, REWIND	
6	177215 42030	1	DRUM, STARTER	
7	177214 42030	1	WASHER	
8	177236 40630	1	SCREW	
9	177226 05530	1	ROPE, STARTER	USE BULK ROPE 999444 00040 DIA. 3MM (.12") X 890MM (35")
10	177227 42030	1	GUIDE, ROPE	
11	177228 06530	1	GRIP, STARTER	
12	900502 00008	1	NUT 8	
13	177202 42030	1	PAWL ASY, STARTER	INCLUDES ITEMS 14 - 17
14	177210 42030	1	CATCHER, PAWL	
15	177234 42030	1	SPRING, RETURN	
16	177218 42030	1	PAWL, STARTER	
17	900700 00004	1	E-RING 4	
18	159010 00330	1	PLUG, SPARK BM6-A	
19	159011 03432	1	COIL, SPARK PLUG CAP	
20	159012 01620	1	CAP, SPARK PLUG	

# HC-1001



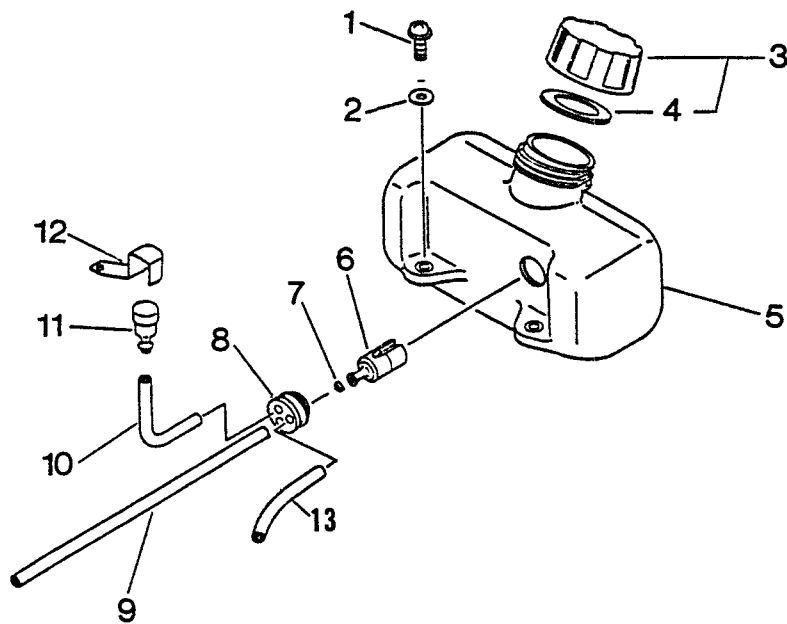
KEY	PART NUMBER	QTY	DESCRIPTION	REMARKS
21	150112 42030	1	BUSHING	
22	150601 04560	1	C.D. IGNITION MODULE	
23	900242 04022	2	SCREW 4X22	
24	175000 44330	1	CLUTCH ASY	
25	150801 44330	1	FLYWHEEL	

# HC-1001



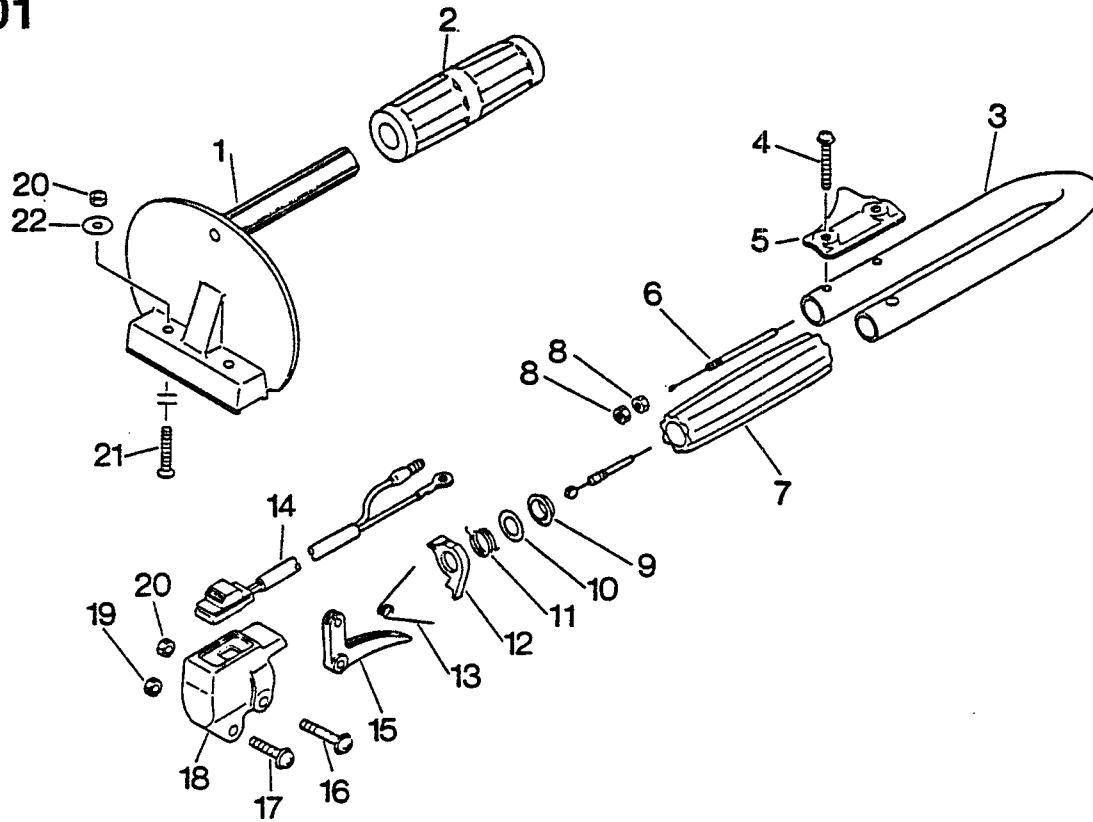
KEY	PART NUMBER	QTY	DESCRIPTION	REMARKS
1	900500 00005	2	NUT 5	
2	130010 42031	1	GASKET, INTAKE	
3	130017 44330	1	INSULATOR	
4	130010 44431	1	GASKET, INTAKE	
5	123000 06460	1	CARBURETOR WYL-11	
6	900720 00015	1	O-RING 15	
7	130300 06460	1	CLEANER ASY, AIR	INCLUDES ITEMS 8 & 9
8	130327 44330	1	SLEEVE	
9	130310 44330	1	FILTER, AIR	
10	900242 05064	2	SCREW 5X64	
11	900242 05022	2	SCREW 5X20	
12	145510 42031	2	GASKET, MUFFLER	
13	145871 44330	1	COVER, MUFFLER	
14	145806 42030	1	MUFFLER	
15	900105 05055	2	BOLT, H.S. 5X55	
16	145866 42031	1	GASKET, MUFFLER LID	
17	145862 40630	1	SCREEN, MUFFLER	
18	145876 04560	1	FIXTURE, SCREEN	
19	900242 04010	3	SCREW 4X10	
20	145800 05162	1	MUFFLER ASY	INCLUDES ITEMS 12 - 19

# HC-1001



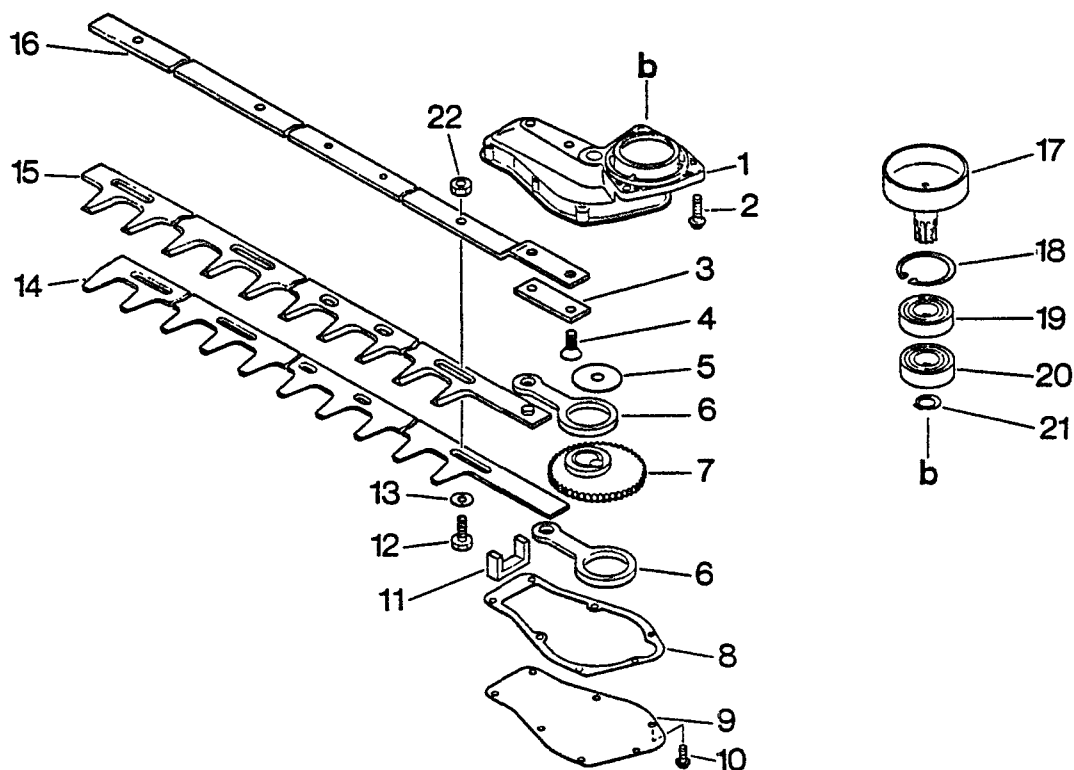
KEY	PART NUMBER	QTY	DESCRIPTION	REMARKS
1	900238 05016	2	SCREW 5X16	
2	900603 00005	2	WASHER 5	
3	131004 48730	1	CAP ASY, FUEL TANK	INCLUDES ITEM 4
4	131016 40930	1	GASKET, FUEL TANK CAP	
5	131005 06460	1	TANK, FUEL	
6	131205 07320	1	STRAINER, FUEL	
7	132013 09820	1	CLIP	
8	132115 46730	1	GROMMET	
9	132010 13930	1	PIPE, FUEL	
10	132010 44330	1	PIPE 3X5X70	
11	131300 40630	1	VENT ASY	
12	131323 04560	1	HOLDER, VENT	
13	132717 06460	1	PIPE, FUEL RETURN	

# HC-1001



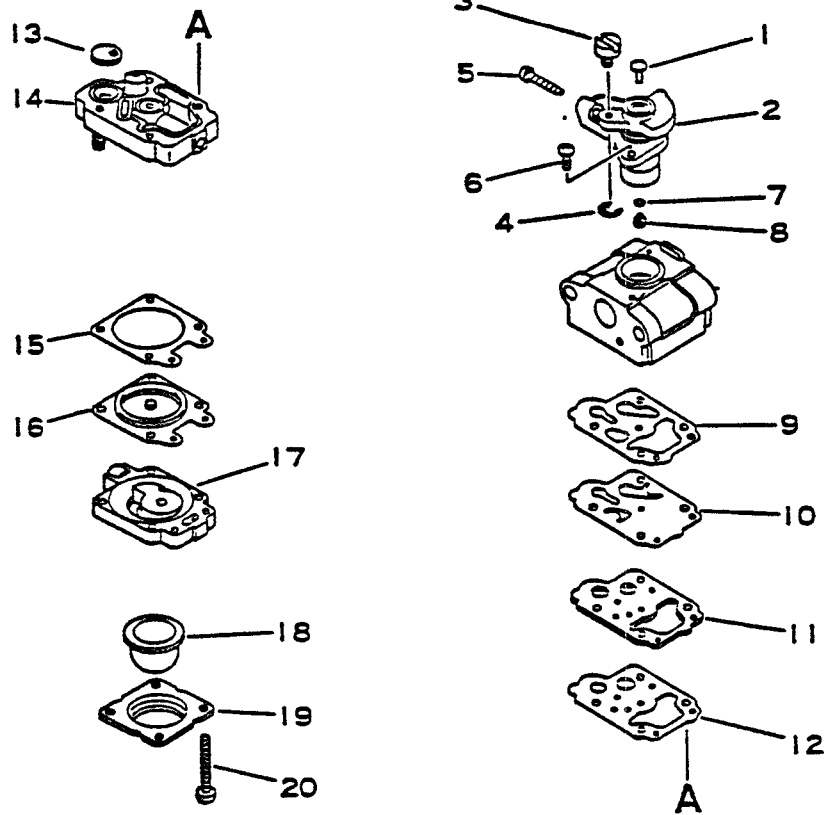
KEY	PART NUMBER	QTY	DESCRIPTION	REMARKS
1	351010 02060	1	HANDLE	
2	351012 01260	1	GRIP, HANDLE	
3	351210 04561	1	HANDLE, REAR	
4	900242 05035	2	SCREW 5X35	
5	351217 04560	1	FIXTURE, REAR HANDLE	
6	178001 04560	1	WIRE, THROTTLE	
7	351315 22130	1	GRIP, HANDLE	
8	900502 00006	2	NUT 6 (3)	
9	178112 04560	1	HOLDER, THROTTLE WIRE	
10	178070 02060	1	SPACER	
11	178013 05160	1	SPRING, THROTTLE LOCK	
12	178012 06460	1	LOCKOUT, THROTTLE	
13	178043 05230	1	SPRING, THROTTLE RETURN	
14	163400 06460	1	SWITCH, IGNITION	
15	178010 06460	1	TRIGGER, THROTTLE	
16	178110 05330	1	SCREW	
17	900220 05028	1	SCREW 5X28	
18	178024 41830	1	HOLDER, TRIGGER	
19	900500 00005	1	NUT 5	
20	433020 00830	3	LOCKNUT 5	
21	900212 05030	2	SCREW 5X30	
22	300217 00610	2	WASHER 5	

# HC-1001



KEY	PART NUMBER	QTY	DESCRIPTION	REMARKS
1	610407 04560	1	HOUSING, GEAR	
2	900242 05020	3	SCREW 5X20	
3	610440 04560	1	HOLDER, FRAMER	
4	900212 06018	2	SCREW 6X18	
5	610350 04560	1	WASHER	
6	610330 04560	2	ROD, CONNECTING	
7	610312 04560	1	GEAR	
8	610414 04560	1	GASKET, GEAR HOUSING	
9	610411 04560	1	COVER, GEAR HOUSING	
10	900242 04010	7	SCREW 4X10	
11	610425 04560	1	FELT	
12	699115 04560	4	BOLT, CUTTER	
13	699118 04560	4	WASHER	
14	697013 04560	1	CUTTER (L)	
15	697012 04560	1	CUTTER (U)	
16	699117 04560	1	BAR, FRAME	
17	175005 04560	1	DRUM, CLUTCH	
18	900702 00035	1	CIRCLIP 35	
19	900813 36202	1	BEARING, BALL 6202	
20	900810 36202	1	BEARING, BALL 6202	
21	900701 00014	1	CIRCLIP 14	
22	145710 00230	4	LOCKNUT 6	

# HC-1001



KEY	PART NUMBER	QTY	DESCRIPTION	REMARKS
	123000 06460	1	CARBURETOR WYL-11	
1	123146 44330	1	PLUG	
2	123116 45130	1	VALVE ASY, THROTTLE	
3	123172 45130	1	SWIVEL	
4	123173 07930	1	CLIP	
5	123134 40030	1	SCREW, IDLE ADJUST	
6	123114 44330	2	SCREW, COLLAR THROTTLE	
7	A B	1	O-RING	
8	B	1	JET	
9	A B	1	GASKET, PUMP	
10	A B	1	DIAPHRAGM, PUMP	
11	123160 40630	1	PLATE, PUMP	
12	A B	1	GASKET, PLATE	
13	B	1	SCREEN, INLET	
14	B	1	BODY ASY, PUMP	
15	A B	1	GASKET, METERING DIAPHRAGM	
16	A B	1	DIAPHRAGM, METERING	
17	123000 46130	1	BODY ASY, AIR PURGE	
18	123181 40630	1	PUMP, PRIMER	
19	123142 02960	1	COVER, PRIMER PUMP	
20	123110 40630	4	SCREW, COVER	

CONTINUED

KEY	PART NUMBER	QTY	DESCRIPTION	REMARKS
A	123101 48730	1	DIAPHRAGM/GASKET KIT	INCLUDES ITEMS BELOW
		1	O-RING	
		1	GASKET, PUMP	
		1	DIAPHRAGM, PUMP	
		1	GASKET, PLATE	
		1	GASKET, METERING DIAPHRAGM	
		1	DIAPHRAGM, METERING	
B	123100 06460	1	REPAIR KIT	INCLUDES ITEMS BELOW
	123101 48730	1	DIAPHRAGM/GASKET KIT	
		1	JET	
		1	SCREEN, INLET	
		1	BODY ASY, PUMP	

# HC-1001

KEY	PART NUMBER	QTY	DESCRIPTION	REMARKS
	889000 44333	1	GASKET KIT	INCLUDES ITEMS BELOW
	-----	1	GASKET, CRANKCASE	
	101010 42031	1	GASKET, CYLINDER BASE	
	130010 42031	1	GASKET, INTAKE	
	130010 44431	1	GASKET, INTAKE	
	145510 42031	2	GASKET, MUFFLER	
	145866 42031	1	GASKET, MUFFLER LID	