



Accessories for ECHO products can be found at:

Los accesorios para los productos ECHO se pueden encontrar en:

www.echo-usa.com/products/catalogs

OPTIONAL ACCESSORIES & ATTACHMENTS:

GT Shoulder Harness Kit 99944200201

ACCESORIOS & ACCESORIOS OPCIONALES:

Kit de Arnés (GT) 99944200201

CUTTING HEADS:

Maxi-Cut Head 215311

ECHOMATIC Single Line Head 21560040

2-Line Rapid Loader Head 21560056

CABEZAS CORTADORAS:

Cabeza Maxi-Cut 215311

Cabeza ECHOMATIC de cordón único 21560040

Cabeza Rapid Loader de 2 Cordones 21560056

PARTS CATALOG
LISTA DE PIEZAS

GT-225i
Trimmer

GT-225i Recortadora



21.2 cc

SERIAL NUMBER
NÚMERO DE SERIE

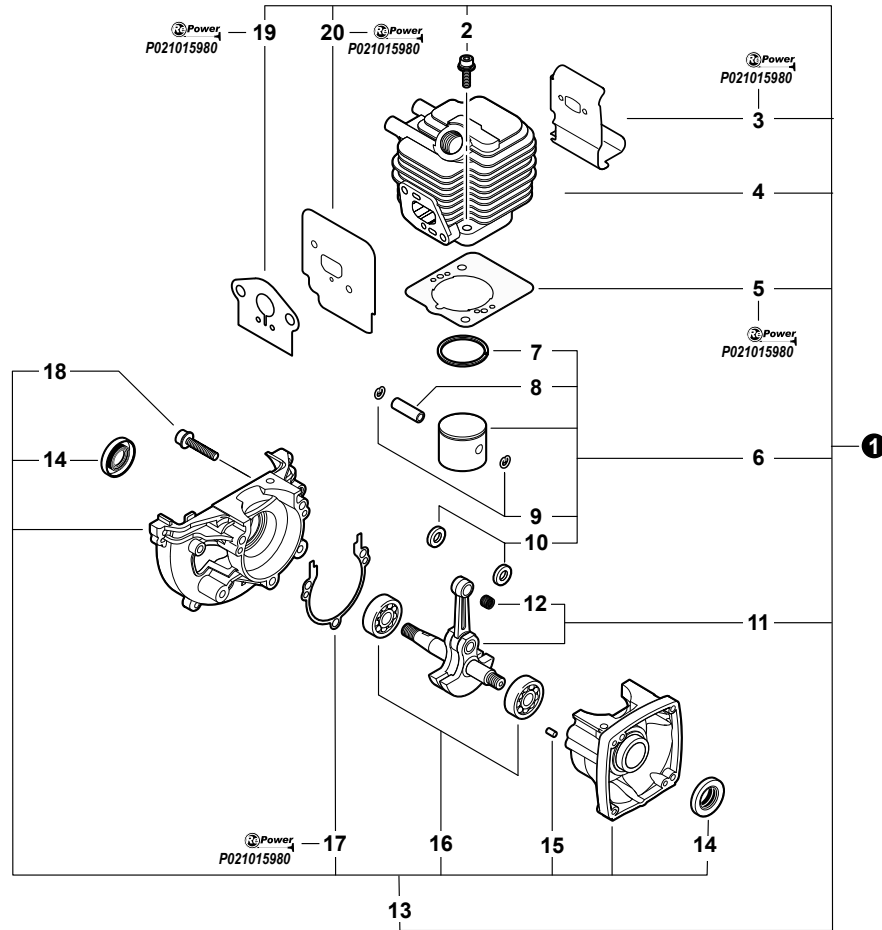
S96211001001 - S96211999999

ECHO, INCORPORATED

400 Oakwood Road, Lake Zurich, Illinois 60047

WWW.ECHO-USA.COM

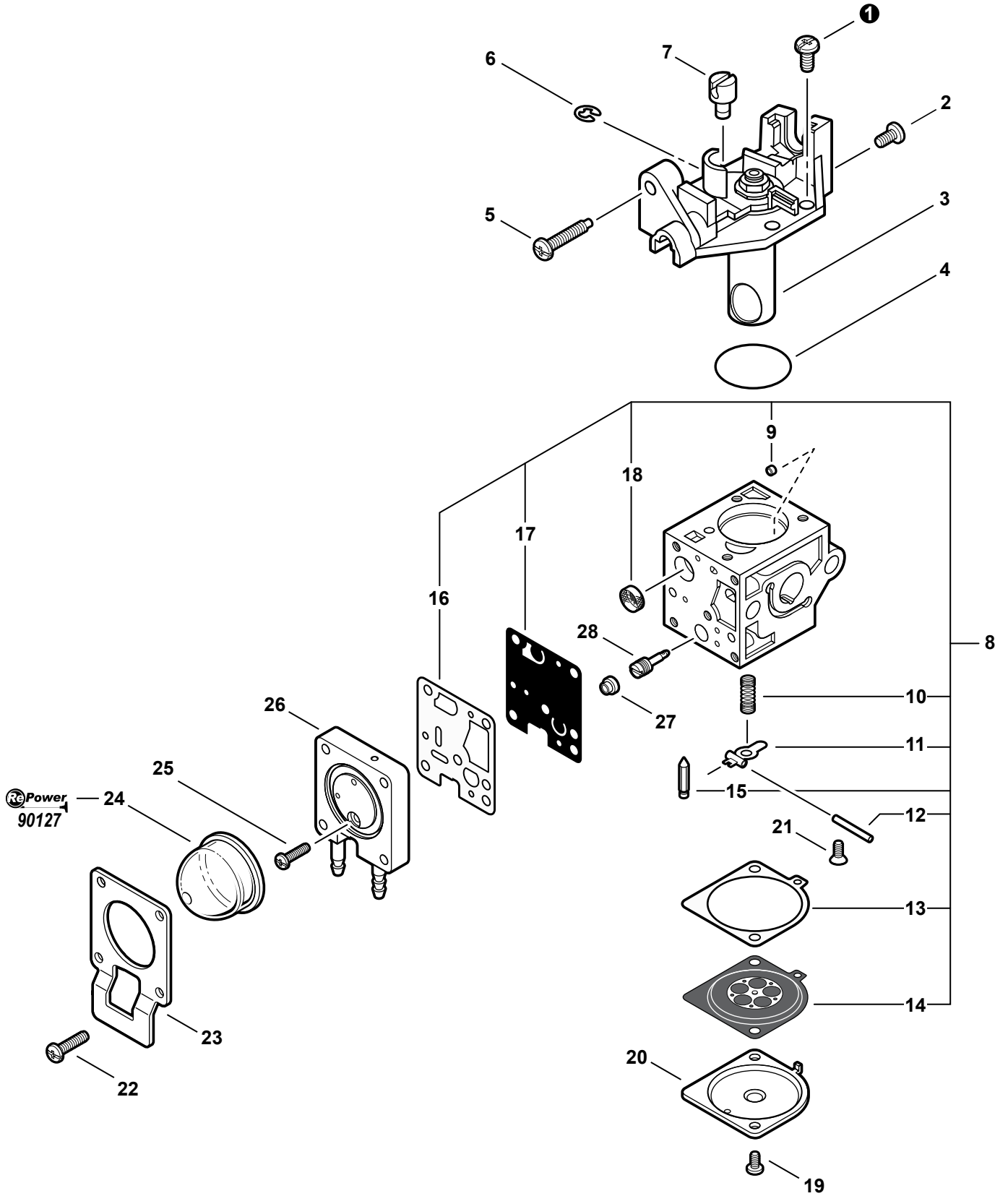
| | |
|---------------------------------------|-----------|
| Engine | 3 |
| Motor | |
| Carburetor | 4 |
| Carburador | |
| Carburetor | 5 |
| Carburador | |
| Intake | 6 |
| Admisión | |
| Exhaust | 7 |
| Escape | |
| Engine Cover, Starter | 8 |
| Cubierta del Motor, Arrancador | |
| Ignition | 9 |
| Encendido | |
| Fuel System | 10 |
| Sistema de combustible | |
| Fan Case | 11 |
| Carcasa del Ventilador | |
| Throttle Control | 12 |
| Control del Acelerador | |
| Front Handle | 13 |
| Mango Delantero | |
| Main Pipe Assembly | 14 |
| Conjunto del Tubo Principle | |
| Gear Case | 15 |
| Caja de Engranajes | |
| Debris Shield | 16 |
| Protector Contra Residuos | |
| Rapid Loader Head | 17 |
| Cargador Rápido Cabeza | |
| Labels | 18 |
| Etiquetas | |
| Tools | 19 |
| Herramientas | |
| RePower Maintenance Kits | 20 |
| Kits de Mantenimiento RePower | |



| NO. | PART NUMBER | QTY. | DESCRIPTION | DESCRIPCIÓN |
|-----|-------------|------|------------------------------------|-------------------------------------|
| 1 | SB1096 | 1 | SHORT BLOCK -- SB1096 | BLOQUE CORTO -- SB1096 |
| 2 | 90016205022 | 2 | +SCREW - 5×22 | +TORNILLO - 5×22 |
| 3 | V104000850 | 1 | +SHIELD, EXHAUST ⁽¹⁾ | +PROTECTOR, ESCAPE ⁽¹⁾ |
| 4 | A130000540 | 1 | +CYLINDER | +CILINDRO |
| 5 | V100000160 | 1 | +GASKET, CYLINDER ⁽¹⁾ | +JUNTA, CILINDRO ⁽¹⁾ |
| 6 | P021007712 | 1 | +PISTON KIT | +KIT DE PISTÓN |
| 7 | A101000090 | 1 | ++RING, PISTON | ++ANILLO, PISTÓN |
| 8 | 10001311520 | 1 | ++PIN, PISTON | ++PASADOR, PISTÓN |
| 9 | 10001504630 | 2 | ++RING, RETAINING | ++ANILLO, RETÉN |
| 10 | 10001411520 | 2 | ++SPACER, PISTON | ++ESPACIADOR, PISTÓN |
| 11 | A011000101 | 1 | +CRANKSHAFT ASSY | +CONJUNTO DE CIGÜEÑAL |
| 12 | V553000060 | 1 | ++BEARING, NEEDLE - 8 | ++COJINETE, DE AGUJAS - 8 |
| 13 | 10020452132 | 1 | +CRANKCASE KIT | +KIT DE CÁRTER |
| 14 | 10021242031 | 2 | ++SEAL, OIL | ++SELLO, ACEITE |
| 15 | 90033040080 | 2 | ++PIN, LOCATING - 4×8 | ++PASADOR DE POSICIONAMIENTO - 4×8 |
| 16 | 9403536201 | 2 | ++BEARING, BALL - 6201 | ++COJINETE DE BOLAS |
| 17 | 10024242030 | 1 | ++GASKET, CRANKCASE ⁽¹⁾ | ++JUNTA, CÁRTER ⁽¹⁾ |
| 18 | 90016205028 | 3 | ++SCREW - 5×28 | ++TORNILLO - 5×28 |
| 19 | V103001500 | 1 | +GASKET, INTAKE ⁽¹⁾ | +JUNTA, ADMISIÓN ⁽¹⁾ |
| 20 | V103001360 | 1 | +SHIELD, INTAKE ⁽¹⁾ | +PROTECTOR, ADMISIÓN ⁽¹⁾ |

(FOOTNOTE) 1 - See RePower Maintenance Page

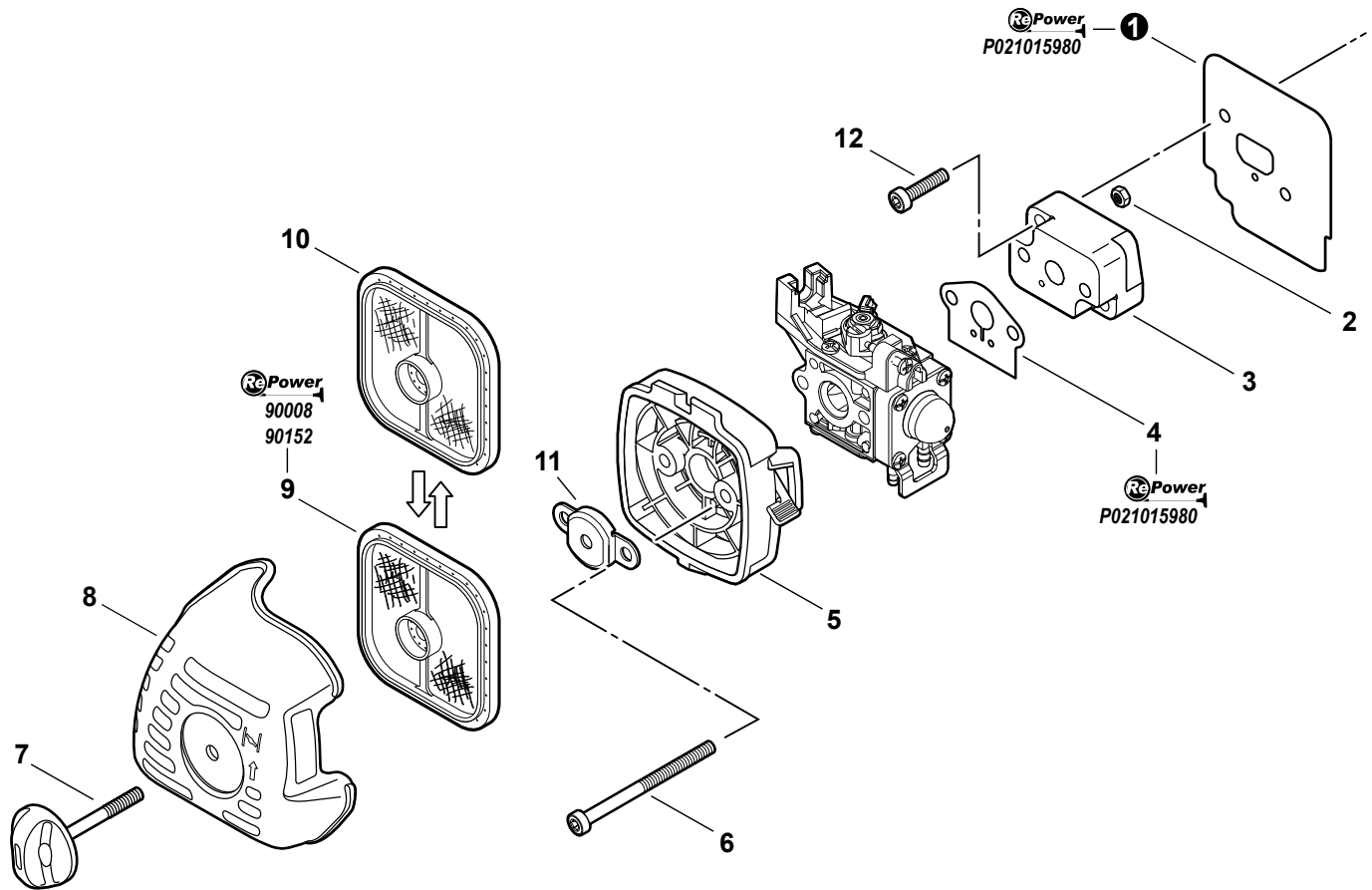
(NOTA DEL PIE) 1 - Vea RePower de mantenimiento página



| NO. | PART NUMBER | QTY. | DESCRIPTION | DESCRIPCIÓN |
|----------|-------------------|----------|-----------------------------|--|
| | A021001690 | 1 | CARBURETOR -- RB-K93 | CARBURADOR -- RB-K93 |
| 1 | 12534413931 | 3 | +SCREW | +TORNILLO |
| 2 | 12534452130 | 1 | +SCREW | +TORNILLO |
| 3 | P005002050 | 1 | +ROTOR COVER ASSY | +CONJUNTO DE CUBIERTA DEL ROTOR |
| 4 | P005000280 | 1 | +O-RING | +ANILLO O |
| 5 | P005000100 | 1 | +SCREW, IDLE ADJUST | +TORNILLO, AJUSTE DE RALENTÍ |
| 6 | P005000190 | 1 | +RING, RETAINING | +ANILLO, RETÉN |
| 7 | P005002090 | 1 | +SWIVEL | +PIVOTE |
| 8 | P005001670 | 1 | +REPAIR KIT | +KIT DE REPARACIÓN |
| 9 | P005001000 | 1 | ++GUIDE, ROLLER | ++GUÍA, RODILLO |
| 10 | ----- | 1 | ++SPRING, METERING LEVER | ++RESORTE, PALANCA DE DOSIFICACIÓN |
| 11 | ----- | 1 | ++LEVER, METERING | ++PALANCA, DOSIFICACIÓN |
| 12 | ----- | 1 | ++PIN, METERING LEVER | ++PASADOR, PALANCA DE DOSIFICACIÓN |
| 13 | ----- | 1 | ++DIAPHRAGM, METERING | ++DIAFRAGMA, DOSIFICACIÓN |
| 14 | ----- | 1 | ++GASKET, DIAPHRAGM | ++JUNTA, DIAFRAGMA |
| 15 | ----- | 1 | ++VALVE, INLET NEEDLE | ++VÁLVULA DE AGUJA, ADMISIÓN |
| 16 | ----- | 1 | ++GASKET, PUMP | ++JUNTA, BOMBA |
| 17 | ----- | 1 | ++DIAPHRAGM, PUMP | ++DIAFRAGMA, BOMBA |
| 18 | ----- | 1 | ++STRAINER | ++TAMIZ |
| 19 | 12534452130 | 2 | +SCREW | +TORNILLO |
| 20 | 12534252130 | 1 | +COVER, METERING | +CUBIERTA, MEDICIÓN |
| 21 | 12533942030 | 1 | +SCREW, METERING LEVER PIN | +TORNILLO, PASADOR DE RETÉN |
| 22 | P005001900 | 4 | +SCREW, PURGE BULB RETAINER | +TORNILLO, RETÉN DEL BULBO DE LA PURGA |
| 23 | P005000250 | 1 | +RETAINER, PURGE BULB | +RETÉN, BULBO DE LA PURGA |
| 24 | 12538108660 | 1 | +BULB, PURGE ⁽¹⁾ | +BULBO, PURGA ⁽¹⁾ |
| 25 | P005000270 | 1 | +SCREW, PURGE BASE | +TORNILLO, BASE, PURGA |
| 26 | P005001890 | 1 | +BASE, PURGE | +BASE, PURGA |
| 27 | P005001270 | 1 | +PLUG | +TAPÓN |
| 28 | P005001260 | 1 | +NEEDLE - HIGH SPEED | +AGUJA - ALTA VELOCIDAD |

(FOOTNOTE) 1 - See RePower Maintenance Page

(NOTA DEL PIE) 1 - Vea RePower de mantenimiento página



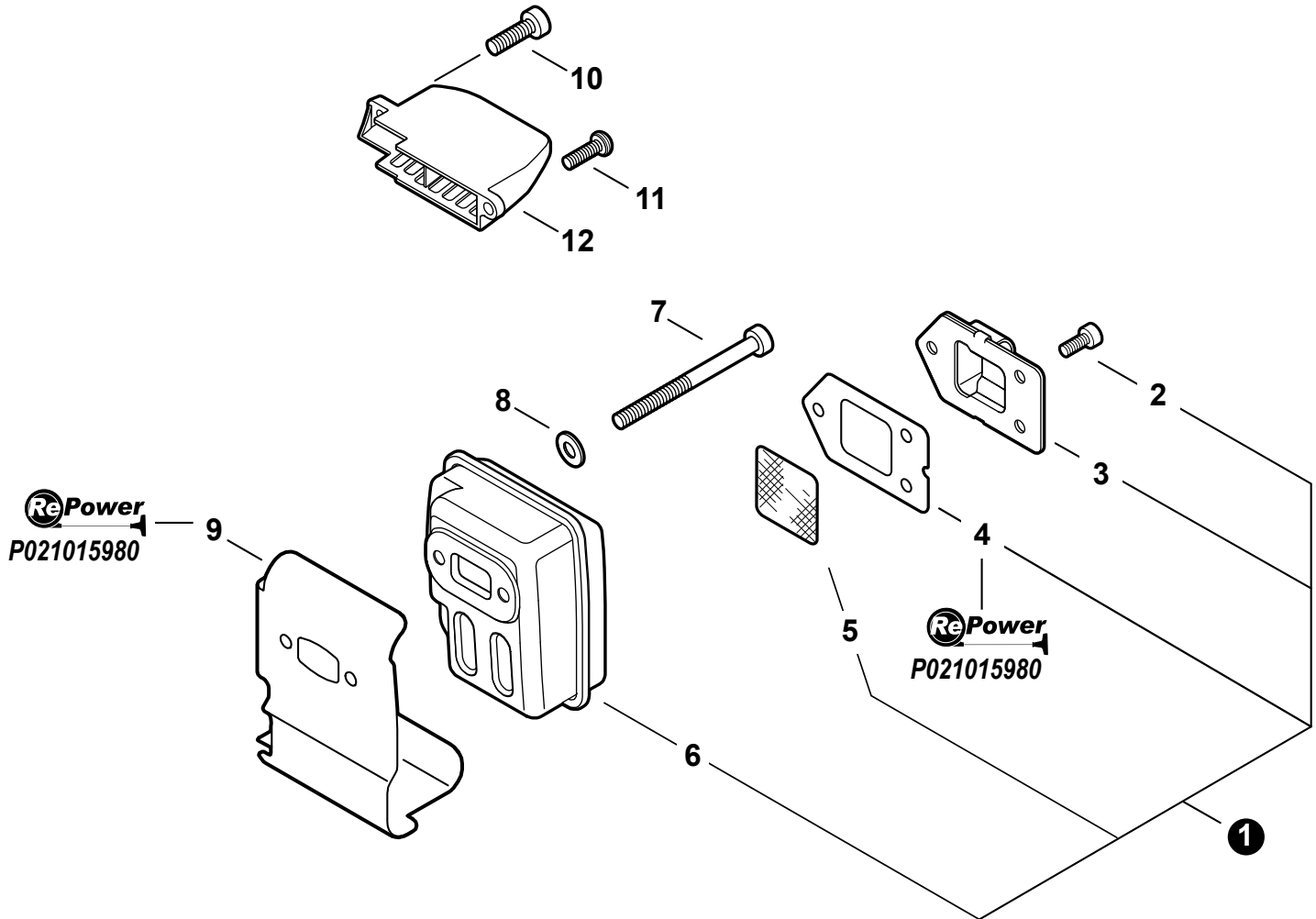
| NO. | PART NUMBER | QTY. | DESCRIPTION | DESCRIPCIÓN |
|-----|-------------|------|---|--|
| 1 | V103001360 | 1 | SHIELD, INTAKE ⁽²⁾ | PROTECTOR, ADMISIÓN ⁽²⁾ |
| 2 | 90050000005 | 2 | NUT - 5 | TUERCA - 5 |
| 3 | 13001744331 | 1 | INSULATOR, INTAKE | ADMISIÓN, ADMISIÓN |
| 4 | V103001500 | 1 | GASKET, INTAKE ⁽²⁾ | JUNTA, ADMISIÓN ⁽²⁾ |
| 5 | P021012870 | 1 | CASE, AIR FILTER | CARCASA, FILTRO DE AIRE |
| 6 | V805000100 | 2 | SCREW - 5×65 -- TORX | TORNILLO - 5×65 -- TORX |
| 7 | V299000250 | 1 | THUMBSCREW | TORNILLO, DE OREJETAS |
| 8 | A232000480 | 1 | COVER, AIR FILTER | CUBIERTA, FILTRO DE AIRE |
| 9 | A226001410 | 1 | FILTER, AIR - DOUBLE LAYER ⁽²⁾ | FILTRO DE AIRE - CAPA DOBLE ⁽²⁾ |
| 10 | 13031054130 | 1 | FILTER, AIR - SINGLE LAYER ⁽¹⁾ | FILTRO DE AIRE - CAPA ÚNICA ⁽¹⁾ |
| 11 | 12901152730 | 1 | PLATE, PREVENT | PLACA, PRE-RESPIRADERO |
| 12 | V805000160 | 2 | SCREW - 5×20 | TORNILLO - 5×20 |

(FOOTNOTE) 1 - OPTIONAL

2 - See RePower Maintenance Page

(NOTA DEL PIE) 1 - OPCIONAL

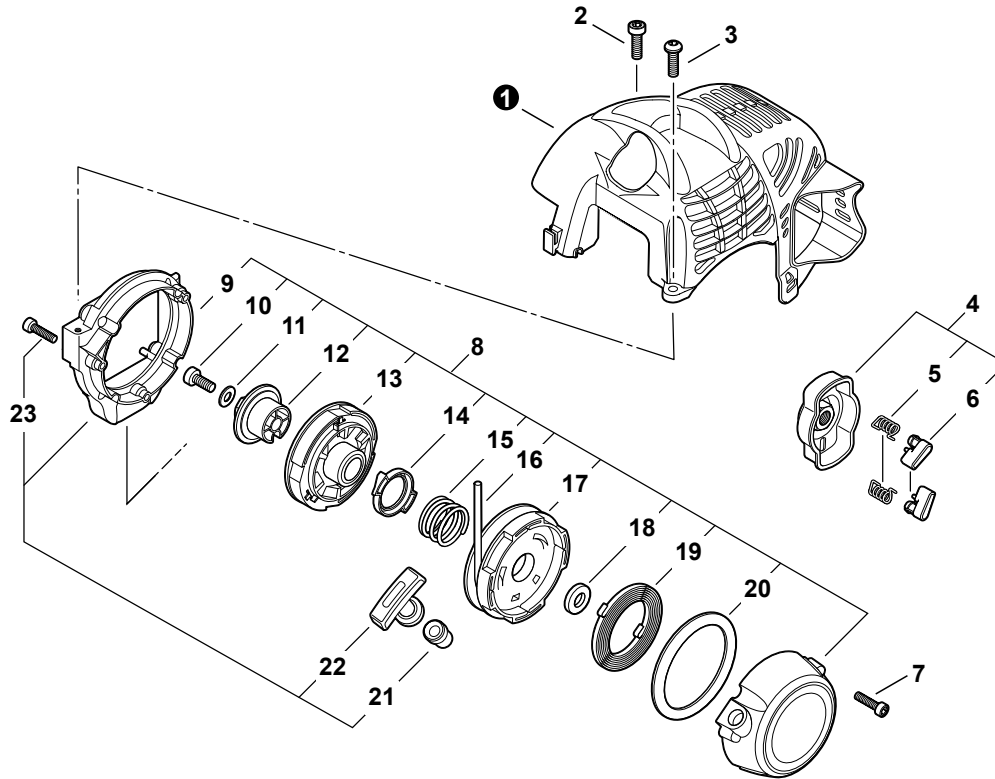
2 - Vea RePower de mantenimiento página



| NO. | PART NUMBER | QTY. | DESCRIPTION | DESCRIPCIÓN |
|-----|-------------|------|---------------------------------|----------------------------------|
| 1 | P021008120 | 1 | MUFFLER ASSY | CONJUNTO DE SILENCIADOR |
| 2 | V804000030 | 3 | +SCREW - 4x8 -- TORX | +TORNILLO - 4x8 -- TORX |
| 3 | A313000580 | 1 | +GUIDE, EXHAUST | +GUÍA, ESCAPE |
| 4 | 14586642031 | 1 | +GASKET, EXHAUST ⁽¹⁾ | +JUNTA, ESCAPE ⁽¹⁾ |
| 5 | 14586240630 | 1 | +SCREEN, SPARK ARRESTER | +PANTALLA, SUPRESOR DE CHISPAS |
| 6 | 14580642030 | 1 | +MUFFLER | +SILENCIADOR |
| 7 | V805000190 | 2 | SCREW - 5x55 | TORNILLO - 5x55 |
| 8 | 90060000005 | 2 | WASHER - CONICAL | ARANDELA - CÓNICA |
| 9 | V104000850 | 1 | SHIELD, EXHAUST ⁽¹⁾ | PROTECTOR, ESCAPE ⁽¹⁾ |
| 10 | V805000150 | 1 | SCREW - 5x16 | TORNILLO - 5x16 |
| 11 | V805000000 | 1 | SCREW - 5x16 | TORNILLO - 5x16 |
| 12 | A320000480 | 1 | DUCT, AIR | DUCTO, AIRE |

(FOOTNOTE) 1 - See RePower Maintenance Page

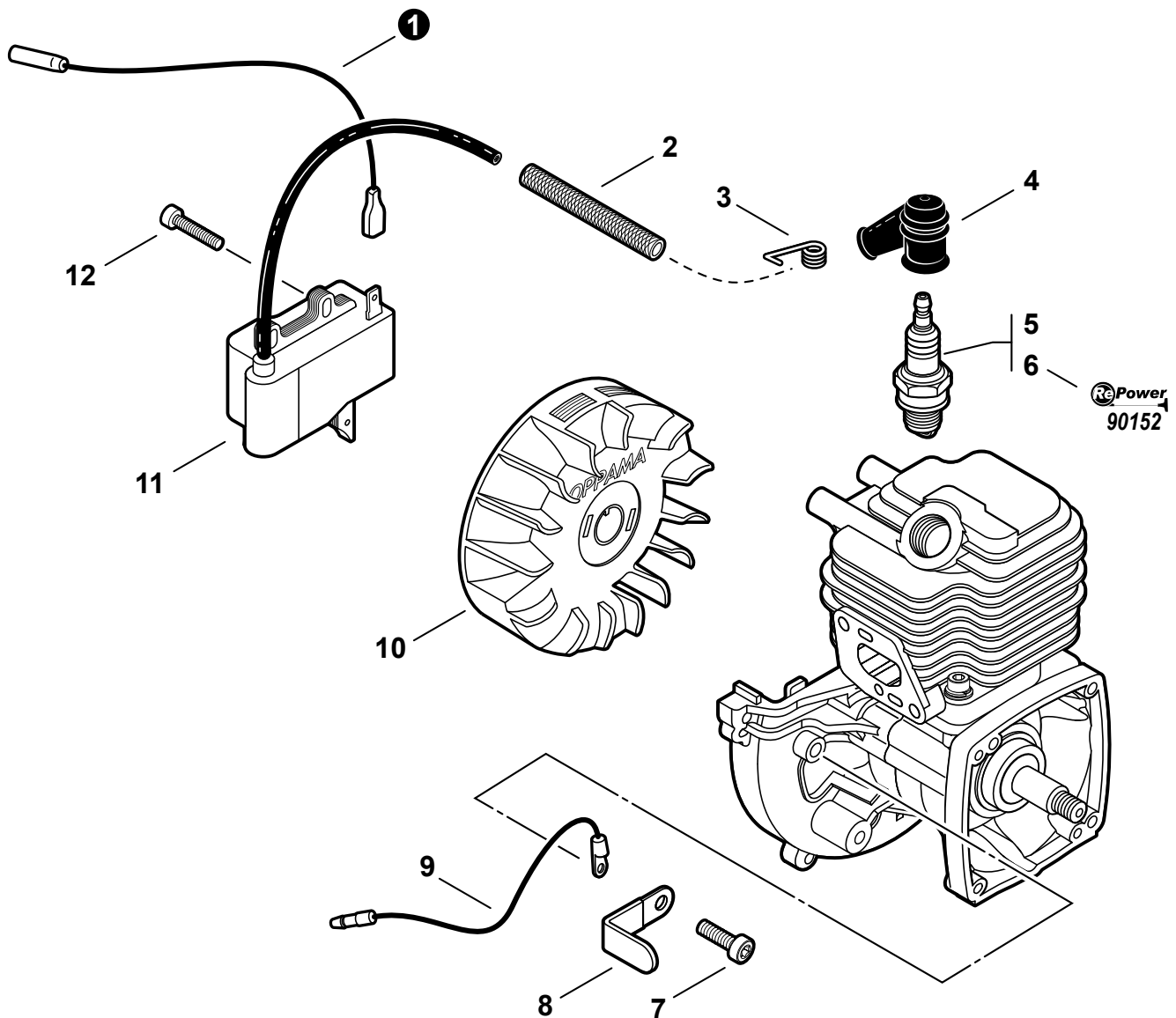
(NOTA DEL PIE) 1 - Vea RePower de mantenimiento página



| NO. | PART NUMBER | QTY. | DESCRIPTION | DESCRIPCIÓN |
|-----|-------------|------|---------------------------------------|--|
| 1 | A160001090 | 1 | COVER, ENGINE | CUBIERTA, MOTOR |
| 2 | V805000150 | 1 | SCREW - 5×16 | TORNILLO - 5×16 |
| 3 | V805000000 | 1 | SCREW - 5×16 | TORNILLO - 5×16 |
| 4 | 17720212220 | 1 | STARTER PAWL ASSY | CONJUNTO DE TRINQUETE DEL ARRANCADOR |
| 5 | 17723412220 | 2 | +SPRING, RETURN | +RESORTE, RETORNO |
| 6 | 17721844330 | 2 | +PAWL, STARTER - BLACK | +TRINQUETE, ARRANCADOR - NEGRO |
| 7 | V804000060 | 4 | SCREW - 4×16 | TORNILLO - 4×16 |
| 8 | A051001390 | 1 | STARTER ASSY | CONJUNTO DE ARRANCADOR |
| 9 | V376001080 | 1 | +BRACKET, STARTER | +SOPORTE, ARRANCADOR |
| 10 | V805000140 | 1 | +SCREW - 5×12 | +TORNILLO - 5×12 |
| 11 | 90060300005 | 1 | +WASHER - 5 | +ARANDELA - 5 |
| 12 | A520000070 | 1 | +CAM | +LEVA |
| 13 | P021015540 | 1 | +CLUTCH ASSY | +CONJUNTO DE EMBRAGUE |
| 14 | A514000060 | 1 | +PAWL | +TRINQUETE |
| 15 | V450000440 | 1 | +SPRING | +RESORTE |
| 16 | 17722656030 | 1 | +ROPE, STARTER - 3×900 ⁽¹⁾ | +CUERDA, ARRANCADOR - 3×900 ⁽¹⁾ |
| 17 | A506000060 | 1 | +PULLEY | +POLEA |
| 18 | V355000080 | 1 | +COLLAR - 8 | +ESPACIADOR - 8 |
| 19 | A504000001 | 1 | +SPRING, REWIND | +RESORTE, REBOBINADO |
| 20 | A503000020 | 1 | +PLATE, STARTER | +PLACA, RESORTE |
| 21 | 17722742030 | 1 | +GUIDE, ROPE | +GUÍA, CUERDA |
| 22 | A511000000 | 1 | +GRIP, STARTER | +AGARRE, ARRANCADOR |
| 23 | V804000010 | 3 | +SCREW - 4×16 -- TAPPING | +TORNILLO - 4×16 -- AUTOROSCANTE |

(FOOTNOTE) 1 - See RePower Maintenance Page

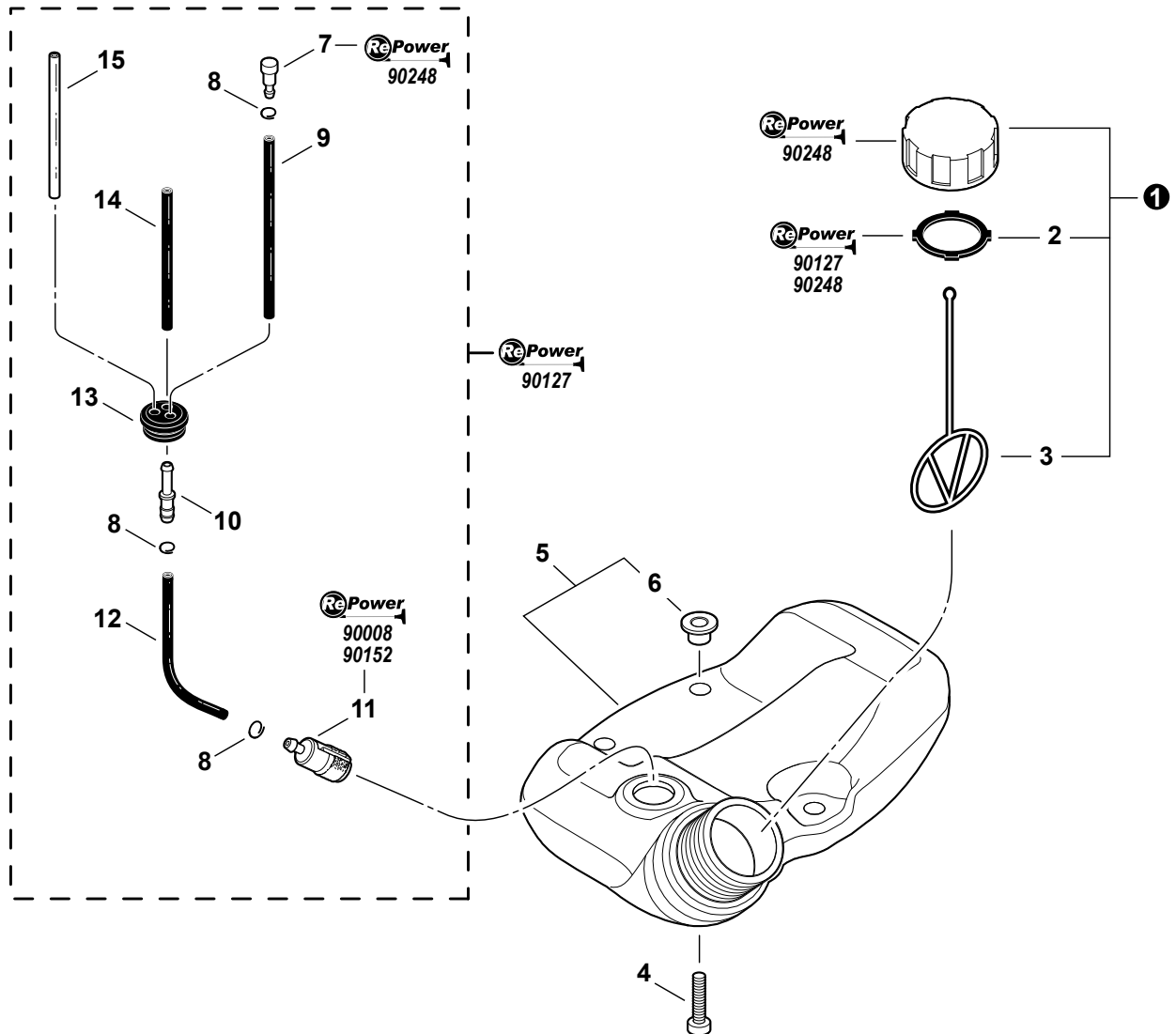
(NOTA DEL PIE) 1 - Vea RePower de mantenimiento página



| NO. | PART NUMBER | QTY. | DESCRIPTION | DESCRIPCIÓN |
|-----|-------------|------|--|-----------------------------------|
| 1 | V485001120 | 1 | LEAD - IGNITION | CABLE - IGNICIÓN |
| 2 | V475007200 | 1 | TUBE, INSULATOR | TUBO, AISLANTE |
| 3 | A426000010 | 1 | TERMINAL, SPARK PLUG CAP | TERMINAL, CAPUCHÓN DE BUJÍA |
| 4 | A427000013 | 1 | CAP, SPARK | PLUG TAPA, BUJÍA |
| 5 | 15901019830 | 1 | SPARK PLUG -- BPM8Y | BUJÍA -- BPM8Y |
| 6 | A425000000 | 1 | SPARK PLUG -- BPMR8Y ⁽¹⁾⁽²⁾ | BUJÍA -- BPMR8Y ⁽¹⁾⁽²⁾ |
| 7 | V805000130 | 1 | SCREW - 5×10 | TORNILLO - 5×10 |
| 8 | 15911621231 | 1 | CLAMP | ABRAZADERA |
| 9 | 15663543130 | 1 | LEAD - GROUND | CABLE - DE TIERRA |
| 10 | A409000210 | 1 | FLYWHEEL | VOLANTE |
| 11 | A411000130 | 1 | COIL, IGNITION | BOBINA, IGNICIÓN |
| 12 | V804000070 | 2 | SCREW - 4×20 -- TORX | TORNILLO - 4×20 -- TORX |

(FOOTNOTE) 1 - See RePower Maintenance Page
2 - CANADA MODELS

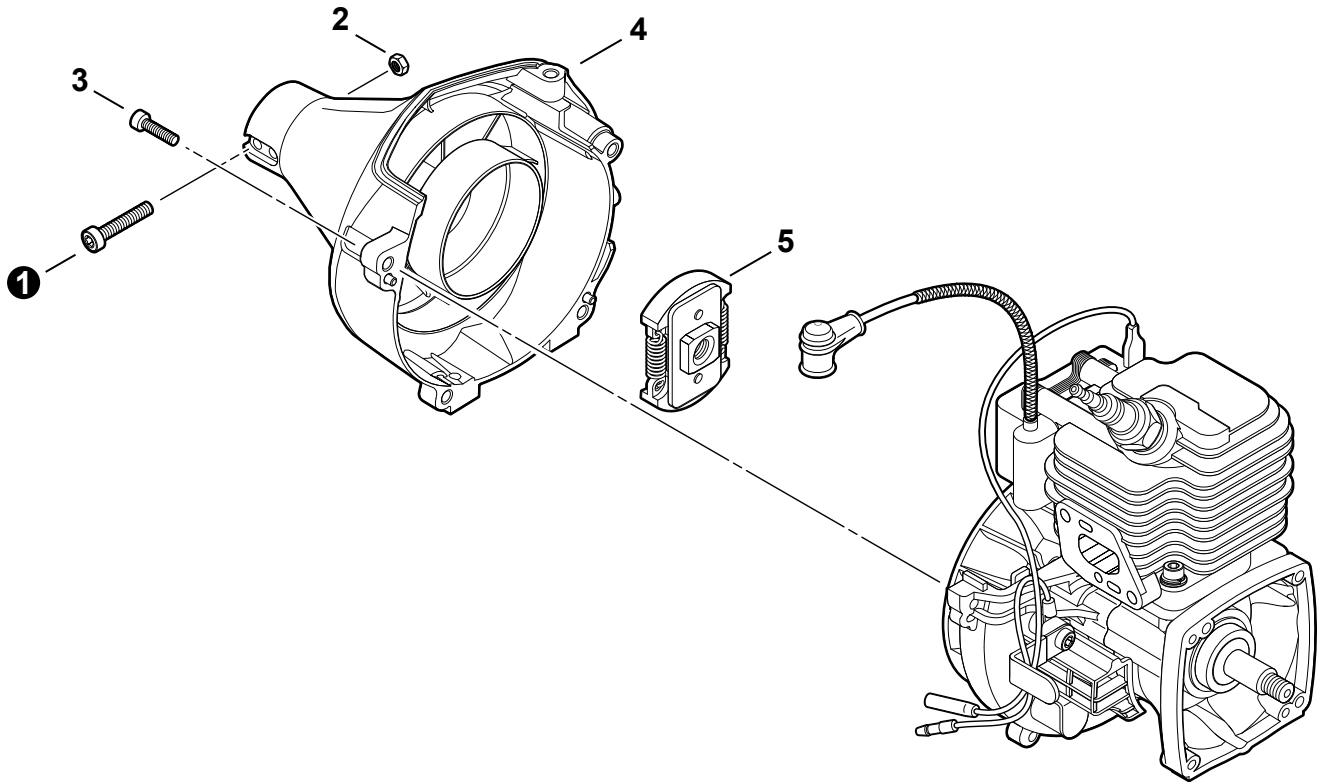
(NOTA DEL PIE) 1 - Vea RePower de mantenimiento página
2 - MODELOS DE CANADÁ



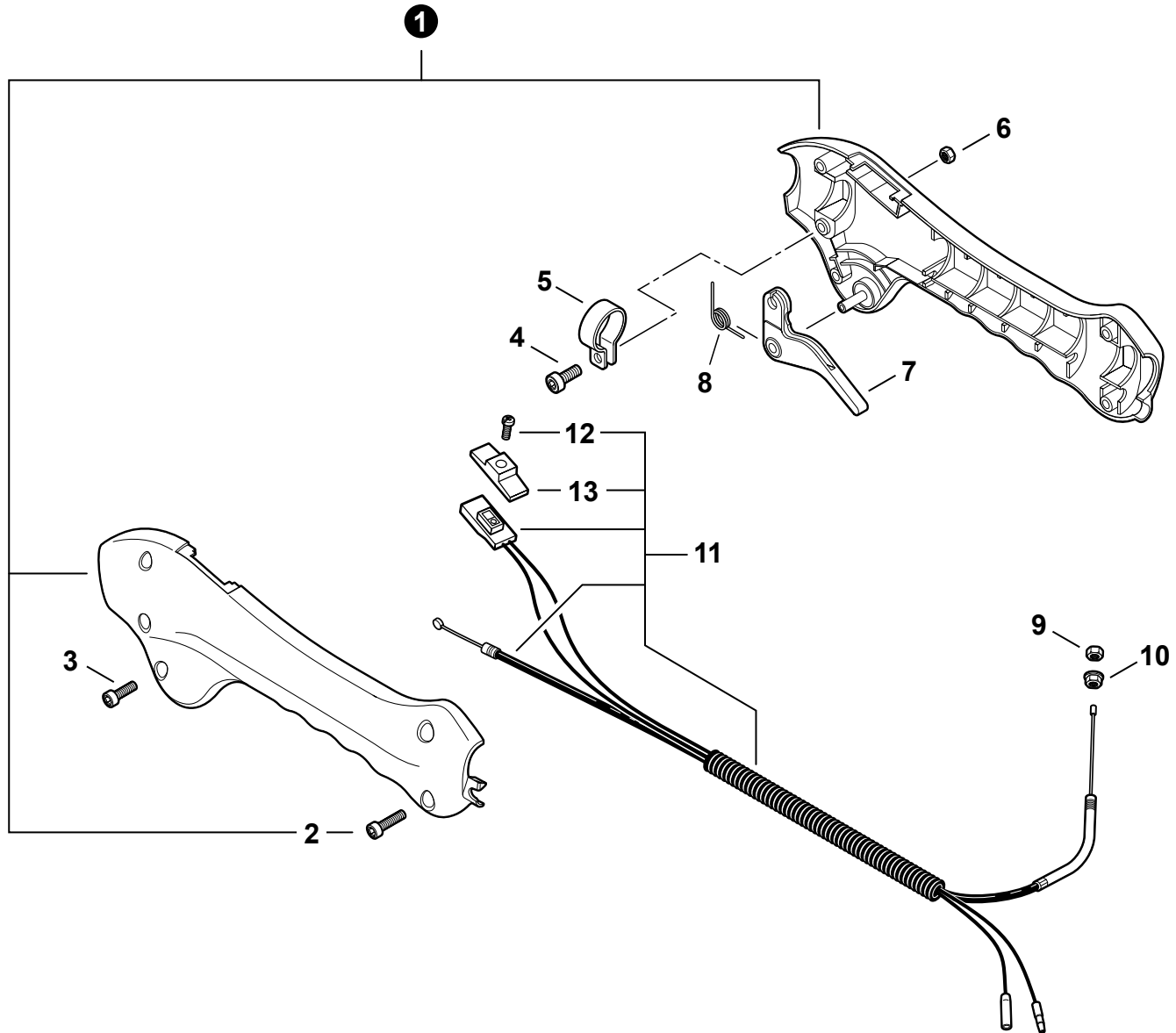
| NO. | PART NUMBER | QTY. | DESCRIPTION | DESCRIPCIÓN |
|-----|-------------|------|--|--|
| 1 | P021040430 | 1 | CAP ASSY | CONJUNTO DE TAPA |
| 2 | V107000150 | 1 | +GASKET, CAP ⁽¹⁾ | +JUNTA, TAPA ⁽¹⁾ |
| 3 | A365000060 | 1 | +CONNECTOR, CAP | +CONECTOR, TAPA |
| 4 | V805000160 | 3 | SCREW - 5×20 | TORNILLO - 5×20 |
| 5 | A350000780 | 1 | FUEL TANK ASSY | CONJUNTO DE TANQUE DE COMBUSTIBLE |
| 6 | V353000231 | 3 | +SPACER | +ESPACIADOR |
| 7 | A356000031 | 1 | VENT, FUEL TANK ⁽¹⁾ | ÉVENT COMPLET ⁽¹⁾ |
| 8 | V490001240 | 3 | CLIP - 6 ⁽¹⁾ | ATTACHE Ø6 ⁽¹⁾ |
| 9 | V471001210 | 1 | PIPE - 3×5×90 -- BLACK ⁽¹⁾ | TUYAU DE CARBURANT 3×5×90 NOIR ⁽¹⁾ |
| 10 | V186000520 | 1 | CONNECTOR, FUEL PIPE ⁽¹⁾ | CONNEXION DE TUYAU Ø5×Ø3.5 ⁽¹⁾ |
| 11 | 13120507320 | 1 | FILTER, FUEL ⁽¹⁾ | FILTRE À CARBURANT ⁽¹⁾ |
| 12 | V471003700 | 1 | PIPE - 3×5×130 -- BLACK ⁽¹⁾ | TUYAU DE CARBURANT 3×5×130 ⁽¹⁾ |
| 13 | 13211546730 | 1 | GROMMET ⁽¹⁾ | RONDELLE DE CARBURANT Ø5 ⁽¹⁾ |
| 14 | V471003691 | 1 | PIPE - 3×5×74 -- BLACK ⁽¹⁾ | TUYAU DE CARBURANT 3×5×74 NOIR ⁽¹⁾ |
| 15 | 13201256030 | 1 | PIPE - 3×6×80 -- CLEAR ⁽¹⁾ | TUYAU DE CARBURANT 3×6×80 CLAIR ⁽¹⁾ |

(FOOTNOTE) 1 - See RePower Maintenance Page

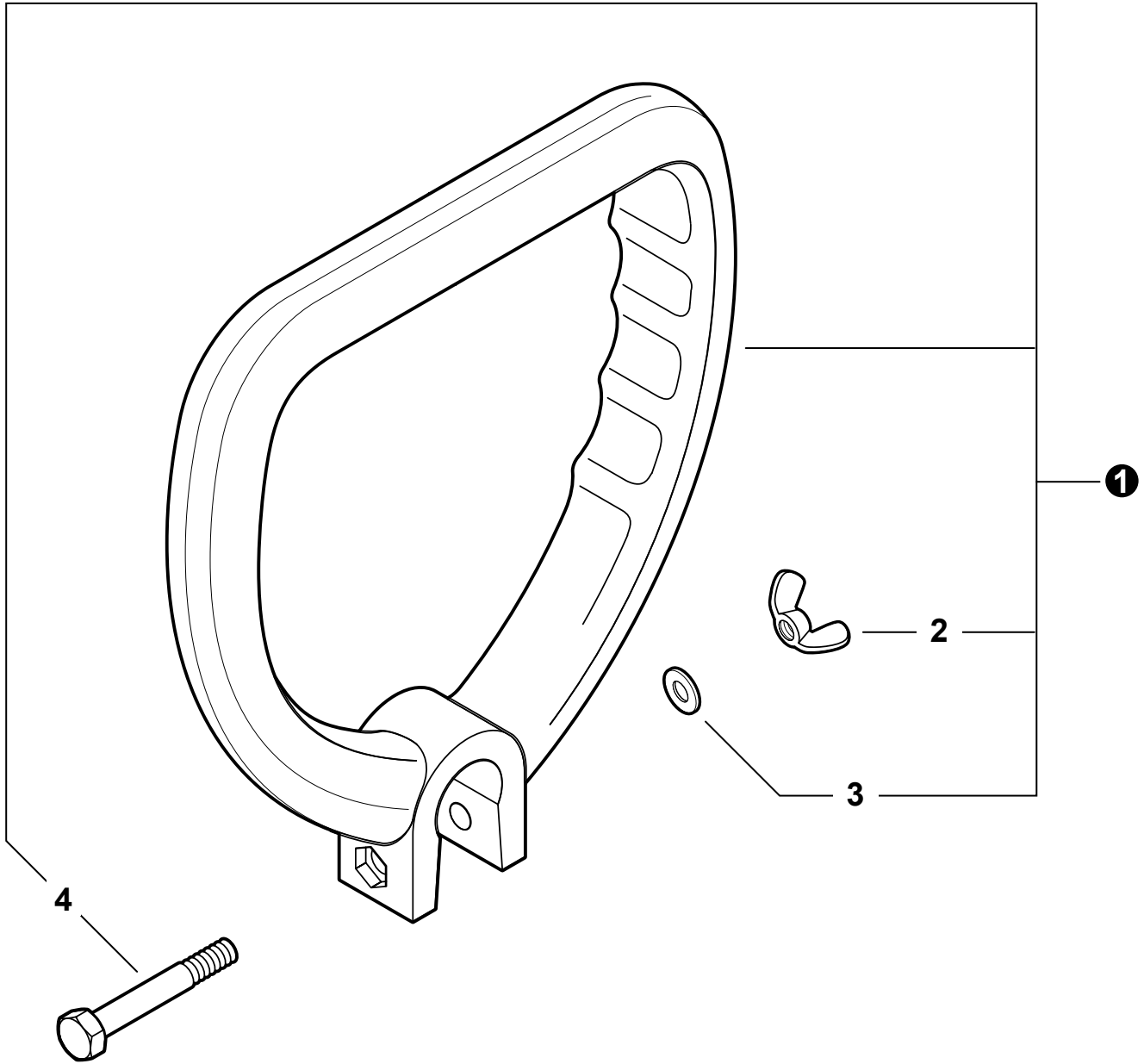
(NOTA DEL PIE) 1 - Vea RePower de mantenimiento página



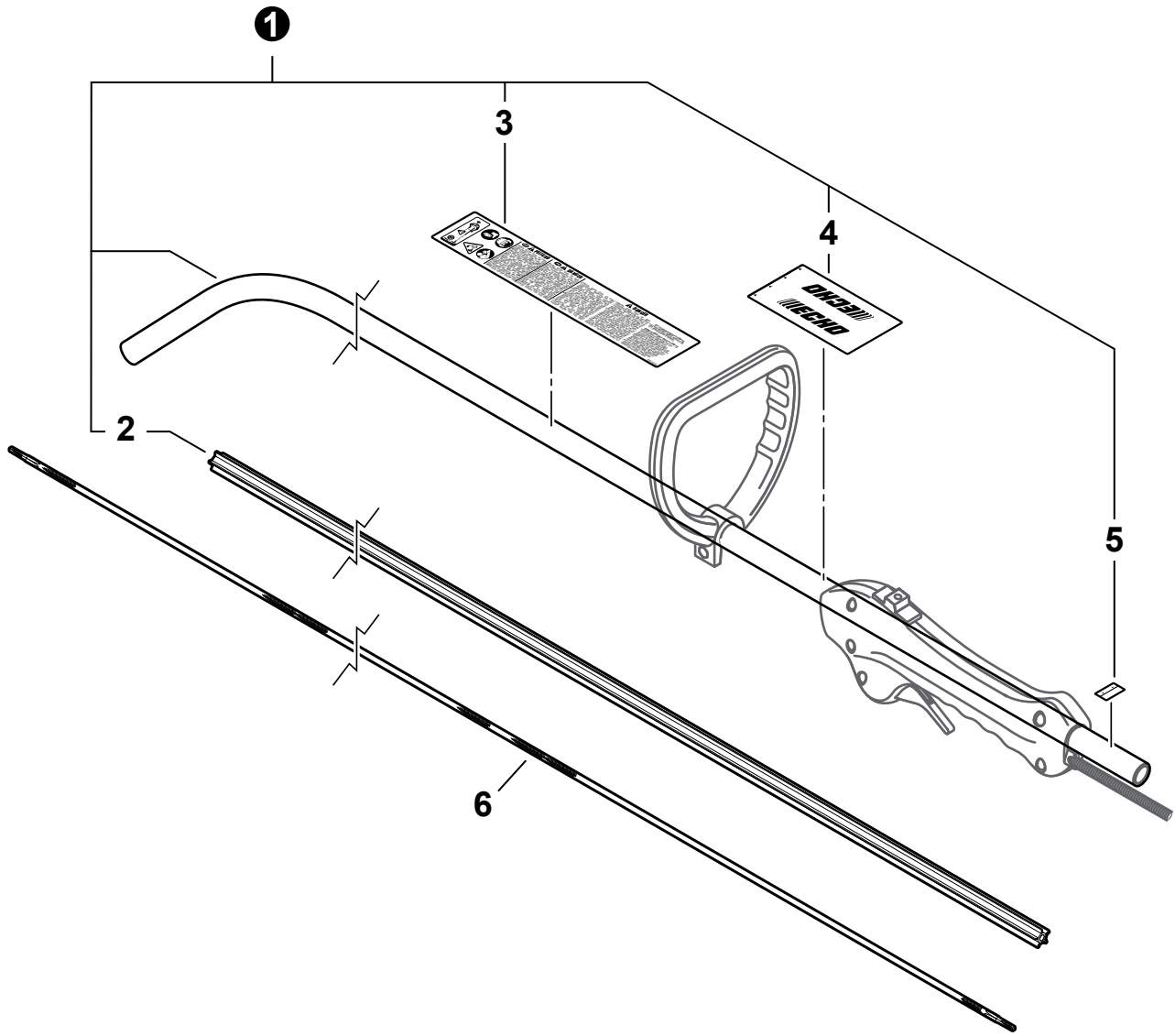
| NO. | PART NUMBER | QTY. | DESCRIPTION | DESCRIPCIÓN |
|-----|-------------|------|----------------------|------------------------------------|
| 1 | V805000170 | 2 | SCREW - 5×25 | TORNILLO - 5×25 |
| 2 | 90050000005 | 2 | NUT - 5 | TUERCA - 5 |
| 3 | V804000060 | 4 | SCREW - 4×16 -- TORX | TORNILLO - 4×16 |
| 4 | P021015730 | 1 | FAN CASE ASY | CONJUNTO DE CARCASA DEL VENTILADOR |
| 5 | A056000230 | 1 | CLUTCH ASY | CONJUNTO DE EMBRAGUE |



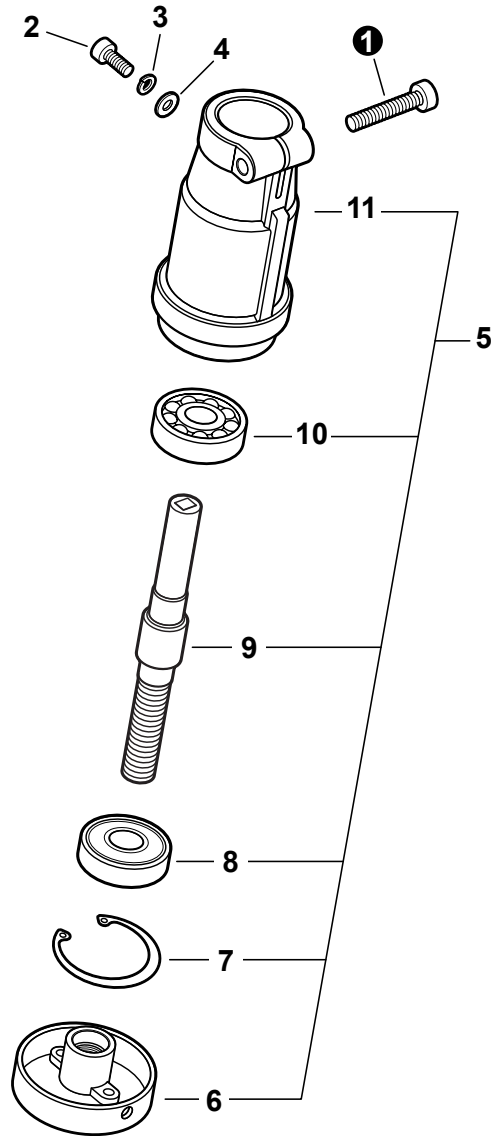
| NO. | PART NUMBER | QTY. | DESCRIPTION | DESCRIPCIÓN |
|-----|-------------|------|--------------------------|----------------------------------|
| 1 | P021016300 | 1 | CONTROL HANDLE ASY | CONJUNTO DE MANGO DE CONTROL |
| 2 | V804000010 | 3 | +SCREW - 4×16 -- TAPPING | +TORNILLO - 4×16 -- AUTOROSCANTE |
| 3 | V804000000 | 1 | SCREW - 4×12 -- TAPPING | TORNILLO - 4×12 -- AUTOROSCANTE |
| 4 | V805000140 | 1 | SCREW - 5×12 | TORNILLO - 5×12 |
| 5 | V495001091 | 1 | CLAMP | ABRAZADERA |
| 6 | 90050000005 | 1 | NUT - 5 | TUERCA - 5 |
| 7 | C450000070 | 1 | TRIGGER, THROTTLE | GATILLO, ACELERADOR |
| 8 | V452000410 | 1 | SPRING, TRIGGER | RESORTE, GATILLO |
| 9 | 90050200006 | 1 | NUT - 6 | TUERCA - 6 |
| 10 | 90051800006 | 1 | NUT - 6 -- FLANGE | TUERCA, DE BRIDA - 6 |
| 11 | P021016290 | 1 | CONTROL CABLE ASY | CONJUNTO DE CABLE DE CONTROL |
| 12 | 9154503010 | 1 | +SCREW - 3×10 | +TORNILLO - 3×10 |
| 13 | A444000020 | 1 | +KNOB, SWITCH - ORANGE | +PERILLA, INTERRUPTOR - NARANJA |



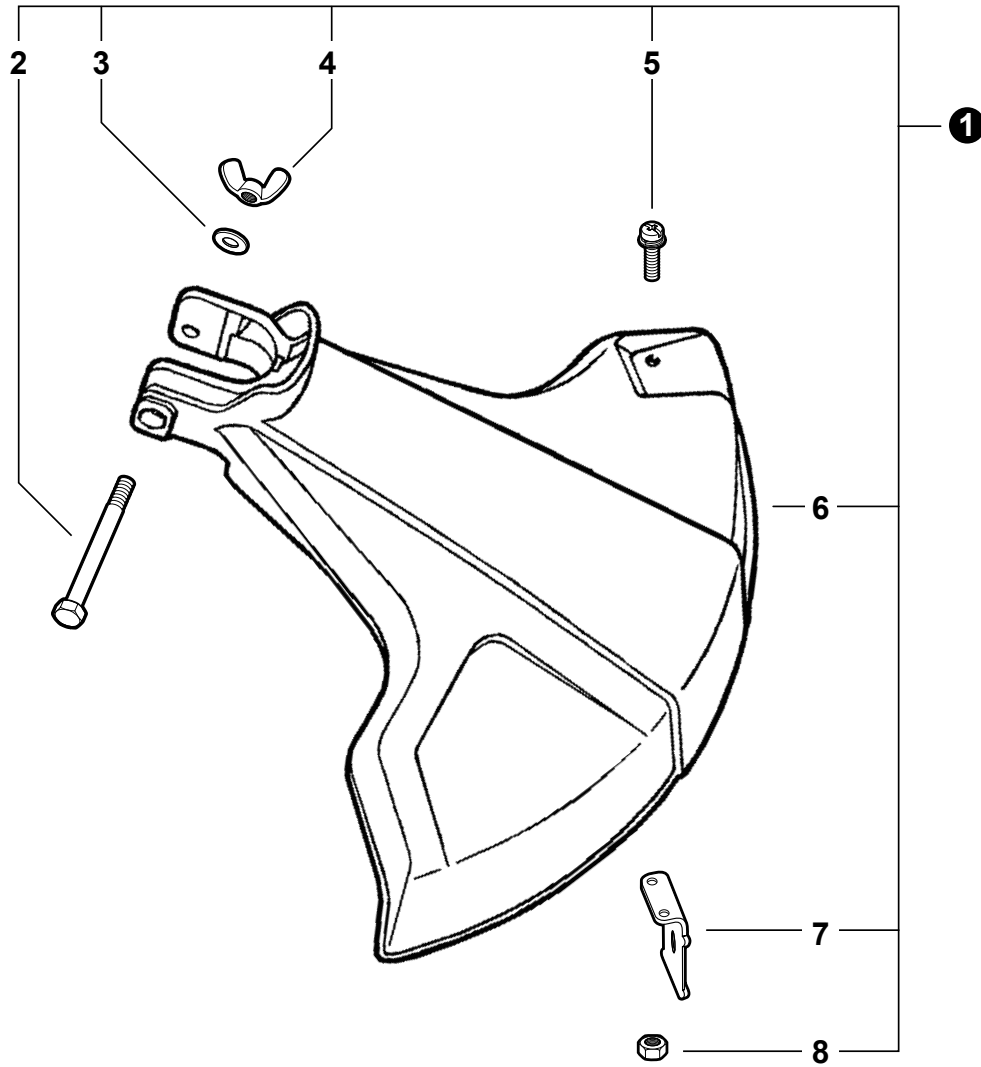
| NO. | PART NUMBER | QTY. | DESCRIPTION | DESCRIPCIÓN |
|-----|-------------|------|-------------------------|-----------------------------|
| 1 | 35160044330 | 1 | FRONT HANDLE ASSY | CONJUNTO DE MANGO DELANTERO |
| 2 | 90003300008 | 1 | +WINGNUT - 1/4-20 | +TUERCA MARIPOSA - 1/4-20 |
| 3 | 90003500008 | 1 | +WASHER - 1/4" | +ARANDELA - 1/4" |
| 4 | V204000250 | 1 | +BOLT - 1/4-20 X 1-3/4" | +PERNO - 1/4-20 X 1-3/4" |



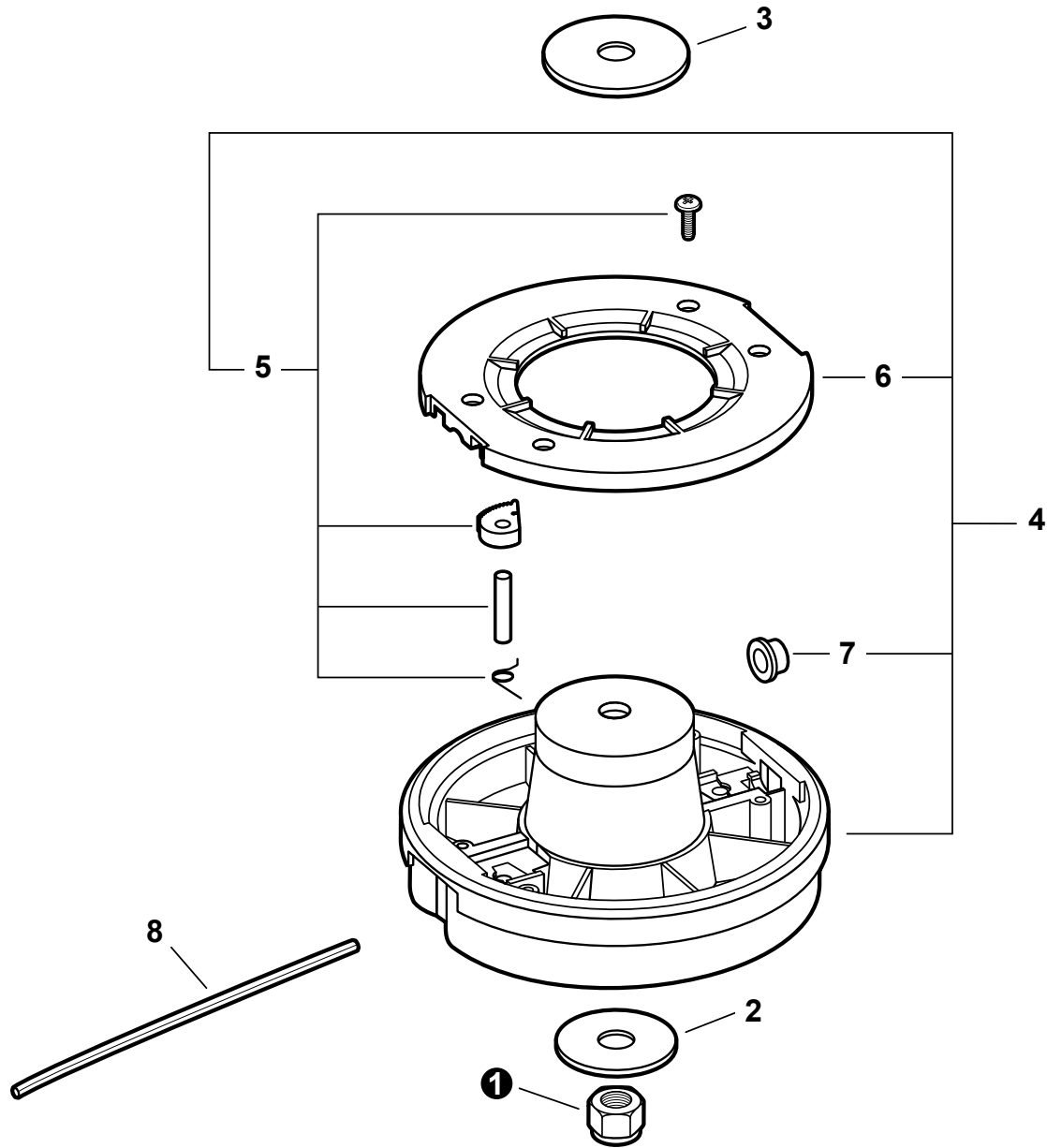
| NO. | PART NUMBER | QTY. | DESCRIPTION | DESCRIPCIÓN |
|-----|-------------|------|--------------------------|---------------------------------|
| 1 | C050001080 | 1 | MAIN PIPE ASY | CONJUNTO DE TUBO PRINCIPAL |
| 2 | C507000250 | 1 | +LINER - FLEXIBLE | +FORRO - FLEXIBLE |
| 3 | X505002500 | 1 | +LABEL - CAUTION | +ETIQUETA - PRECAUCIÓN |
| 4 | X505001930 | 1 | +LABEL - HANDLE LOCATION | +ETIQUETA - UBICACIÓN DEL MANGO |
| 5 | 89015204930 | 1 | +LABEL - ALIGNMENT | +ETIQUETA - ALINEACIÓN |
| 6 | C506000030 | 1 | DRIVESHAFT - FLEXIBLE | EJE DE MANDO - FLEXIBLE |



| NO. | PART NUMBER | QTY. | DESCRIPTION | DESCRIPCIÓN |
|-----|-------------------|----------|-------------------------|---------------------------------------|
| 1 | V805000170 | 1 | SCREW - 5×25 | TORNILLO - 5×25 |
| 2 | V804000040 | 1 | SCREW - 4×10 | TORNILLO - 4×10 |
| 3 | 90060500004 | 1 | LOCKWASHER - 4 | ARANDELA DE PRESIÓN - 4 |
| 4 | 90060000004 | 1 | WASHER | ARANDELA |
| 5 | C056000011 | 1 | GEAR CASE ASY | CONJUNTO DE CAJA DE ENGRANAJES |
| 6 | C535000240 | 1 | +PLATE, ADAPTER - UPPER | +ADAPTADOR, CUCHILLA - SUPERIOR |
| 7 | 90070200030 | 1 | +RING, RETAINING - 30 | +ANILLO, RETÉN - 30 |
| 8 | 9406106200 | 1 | +BEARING, BALL - 6200 | +COJINETE DE BOLAS - 6200 |
| 9 | C534000950 | 1 | +GEAR, SHAFT | +ENGRANAJE, EJE |
| 10 | 9406006200 | 1 | +BEARING, BALL - 6200 | +COJINETE DE BOLAS - 6200 |
| 11 | C530000030 | 1 | +CASE, GEAR | +CAJA DE ENGRANAJES |



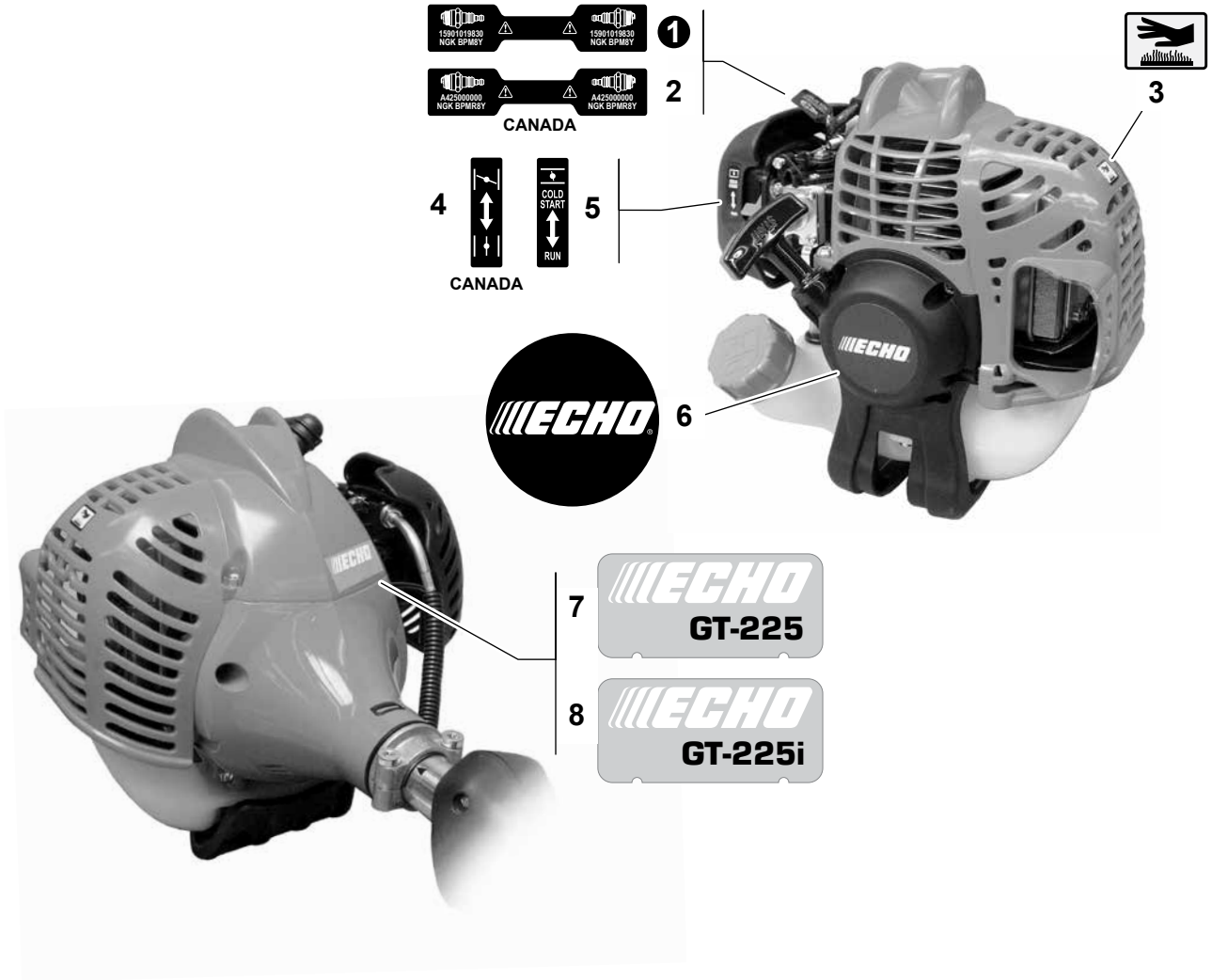
| NO. | PART NUMBER | QTY. | DESCRIPTION | DESCRIPCIÓN |
|-----|-------------|------|---------------------------|--------------------------------------|
| 1 | P021016070 | 1 | SHIELD ASY | MONTAJE DE PROTECTOR CONTRA RESIDUOS |
| 2 | 90001708064 | 1 | +BOLT - 1/4-20 X 2" | +PERNO 1/4-20x2" |
| 3 | 90003500008 | 1 | +WASHER - 1/4" | +ARANDELA |
| 4 | 90003300008 | 1 | +WINGNUT - 1/4-20 | +TUERCA MARIPOSA |
| 5 | V835000010 | 2 | +SCREW - 5X12 -- TORX | +PERNO TORX 5x12 |
| 6 | 69901044330 | 1 | +SHIELD, DEBRIS - PLASTIC | +PROTECTOR CONTRA RESIDUOS |
| 7 | 69901644330 | 1 | +KNIFE, TRIMMER LINE | +CUCHILLA |
| 8 | 90050000005 | 2 | +NUT - 5 | +TUERCA 5 |



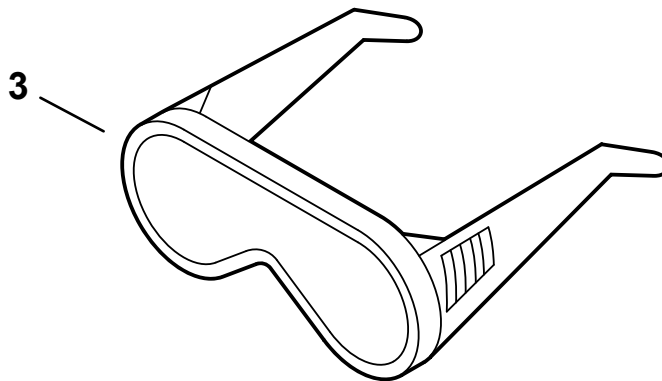
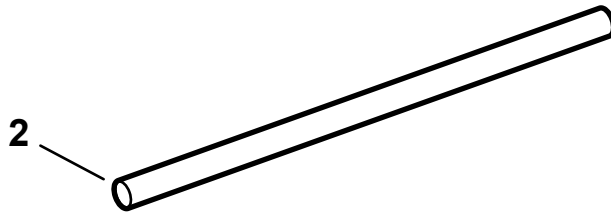
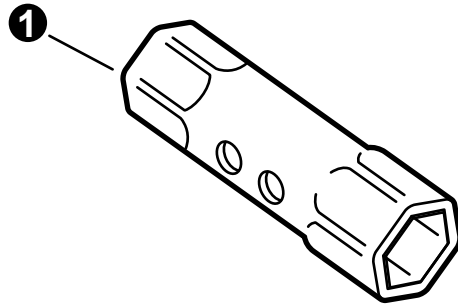
| NO. | PART NUMBER | QTY. | DESCRIPTION | DESCRIPCIÓN |
|-----|-------------|------|--|--|
| 1 | V266000030 | 1 | LOCKNUT | CONTRATUERCA |
| 2 | V307000080 | 1 | WASHER - 8 | ARANDELA |
| 3 | V307000110 | 1 | WASHER - 10 | ARANDELA |
| 4 | X480000020 | 1 | TWO LINE RAPID LOADER ATTACHMENT | SEGUNDA LÍNEA DE CARGADOR RAPIDO ADJUNTO |
| 5 | P022001091 | 1 | +REPAIR KIT ⁽¹⁾ | +JUEGO DE REPARACIÓN ⁽¹⁾ |
| 6 | P022001070 | 1 | +COVER, TOP | +CUBIERTA SUPERIOR |
| 7 | P022001080 | 2 | +EYELET ⁽²⁾ | +OJAL ⁽²⁾ |
| 8 | 102212131 | 1 | LINE, CUTTING - 0.080in ⁽³⁾ | LÍNEA DE CORTE - 0.08in ⁽³⁾ |

(FOOTNOTE) 1 - Includes 3 of each
2 - Includes 3 per package
3 - Includes 20 per package

(NOTA DEL PIE) 1 - Incluye 3 de cada
2 - Incluye 3 por paquete
3 - Incluye 20 por paquete



| NO. | PART NUMBER | QTY. | DESCRIPTION | DESCRIPCIÓN |
|-----|-------------|------|------------------------------|--------------------------------|
| 1 | X532000671 | 1 | LABEL - SPARK PLUG -- BPM8Y | ETIQUETA - BUJÍA -- BPM8Y |
| 2 | X532000720 | 1 | LABEL - SPARK PLUG -- BPMR8Y | ETIQUETA - BUJÍA -- BPMR8Y |
| 3 | X505002310 | 1 | LABEL - HOT SURFACE | ETIQUETA - SUPERFICIE CALIENTE |
| 4 | 89033252730 | 1 | LABEL - CHOKE | ETIQUETA - AHOGADOR |
| 5 | 89012152730 | 1 | LABEL - CHOKE | ETIQUETA - AHOGADOR |
| 6 | X502000330 | 1 | LABEL - ECHO | ETIQUETA - ECHO |
| 7 | X547001310 | 1 | LABEL - MODEL -- GT-225 | ETIQUETA - MODELO -- GT-225 |
| 8 | X547001520 | 1 | LABEL - MODEL -- GT-225i | ETIQUETA - MODELO -- GT-225i |



| NO. | PART NUMBER | QTY. | DESCRIPTION | DESCRIPCIÓN |
|-----|-------------|------|------------------------|-------------------------------|
| 1 | X602000031 | 1 | SOCKET WRENCH | LLAVE DE TUBO |
| 2 | X606000080 | 1 | ROD, LOCKING - 5×120mm | VARILLA, DE TRABADO - 5×120mm |
| 3 | X690000080 | 1 | GOGGLES | PROTECTORES DE LA VISTA |

| NO. | PART NUMBER | QTY. | DESCRIPTION | DESCRIPCIÓN |
|-----|--------------------|----------|--------------------------------------|---|
| | 90008 | 1 | RePower FILTER KIT | JUEGO DE FILTRO - REPOWER |
| | A226001410 | 1 | +FILTER, AIR - DOUBLE LAYER | +FILTRO DE AIRE - CAPA DOBLE |
| | 13120507320 | 1 | +FILTER, FUEL | +FILTRO DE COMBUSTIBLE |
| | 90010 | 1 | Repower CAP AND VENT KIT | KIT DE TAPA Y RESPIRADERO |
| | ----- | 1 | +CAP | +TAPA |
| | 13101655830 | 1 | +GASKET, CAP | +JUNTA, TAPA |
| | A356000031 | 1 | +VENT, FUEL TANK | +RESPIRADERO, TANQUE DE COMBUSTIBLE |
| | 90248 | 1 | Repower CAP AND VENT KIT | KIT DE TAPA Y RESPIRADERO |
| | ----- | 1 | +CAP | +TAPA |
| | V107000150 | 1 | +GASKET, CAP | +JUNTA, TAPA |
| | A356000031 | 1 | +VENT, FUEL TANK | +RESPIRADERO, TANQUE DE COMBUSTIBLE |
| | 90117 | 1 | RePower FUEL SYSTEM KIT | KIT DEL SISTEMA DE CARBURANTE |
| | 13201309820 | 2 | +CLIP - 6 | +GANCHO - 6 |
| | 13120507320 | 1 | +FILTER, FUEL | +FILTRO DE COMBUSTIBLE |
| | V137000030 | 1 | +GROMMET | +ANILLO DE GOMA |
| | V471001210 | 1 | +PIPE - 3×5×90 -- BLACK | +TUBO - 3×5×90 -- NEGRO |
| | V471001230 | 1 | +PIPE - 3×5×210 -- BLACK | +TUBO - 3×5×210 -- NEGRO |
| | 13201256030 | 1 | +PIPE - 3×6×80 -- CLEAR | +TUBO - 3×6×80 -- TRANSPARENTE |
| | A356000031 | 1 | +VENT, FUEL TANK | +RESPIRADERO, TANQUE DE COMBUSTIBLE |
| | 90127 | 1 | RePower FUEL SYSTEM KIT | KIT DEL SISTEMA DE CARBURANTE |
| | 12538108660 | 1 | +BULB, PURGE | +BULBO, PURGA |
| | V490001240 | 3 | +CLIP - 6 | +GANCHO - 6 |
| | V186000520 | 1 | +CONNECTOR, FUEL PIPE | +CONECTOR, TUBO DE COMBUSTIBLE |
| | 13120507320 | 1 | +FILTER, FUEL | +FILTRO DE COMBUSTIBLE |
| | V107000150 | 1 | +GASKET, CAP | +JUNTA, TAPA |
| | 13211546730 | 1 | +GROMMET | +ANILLO DE GOMA |
| | V471003691 | 1 | +PIPE - 3×5×74 -- BLACK | +TUBO - 3×5×74 -- NEGRO |
| | V471001210 | 1 | +PIPE - 3×5×90 -- BLACK | +TUBO - 3×5×90 -- NEGRO |
| | V471003700 | 1 | +PIPE - 3×5×130 -- BLACK | +TUBO - 3×5×130 -- NEGRO |
| | 13201256030 | 1 | +PIPE - 3×6×80 -- CLEAR | +TUBO - 3×6×80 -- TRANSPARENTE |
| | A356000031 | 1 | +VENT, FUEL TANK | +RESPIRADERO, TANQUE DE COMBUSTIBLE |
| | 90152 | 1 | RePower TUNE-UP KIT | KIT DE PUESTA A PUNTO |
| | A226001410 | 1 | +FILTER, AIR | +FILTRO DE AIRE |
| | 13120507320 | 1 | +FILTER, FUEL | +FILTRO DE COMBUSTIBLE |
| | A425000000 | 1 | +SPARK PLUG -- BPMR8Y | +BUJÍA -- BPMR8Y |
| | P021015980 | 1 | GASKET KIT | KIT DE JUNTAS |
| | 10024242030 | 1 | +GASKET, CRANKCASE | +JUNTA, CÁRTER |
| | 14586642031 | 1 | +GASKET, EXHAUST | +JUNTA, ESCAPE |
| | V100000160 | 1 | +GASKET, CYLINDER | +JUNTA, CILINDRO |
| | V103001500 | 1 | +GASKET, INTAKE | +JUNTA, ADMISIÓN |
| | V103001360 | 1 | +SHIELD, INTAKE | +PROTECTOR, ADMISIÓN |
| | V104001760 | 1 | +GASKET, EXHAUST | +JUNTA, ESCAPE |
| | V104000850 | 1 | +SHIELD, EXHAUST | +PROTECTOR, ESCAPE |
| | 99944440000 | 1 | ROPE, STARTER - REPOWER BULK | CUERDA DEL ARRANCADOR REPOWER AL POR MAYOR |
| | 90014 | 1 | PIPE - 25 FT BULK 3×5mm BLACK | TUBO 25 PIES AL POR MAYOR 3×5mm NEGRO |
| | 90017 | 1 | PIPE - 25 FT BULK 3×6mm CLEAR | TUBO 25 PIES AL POR MAYOR 3×6mm TRANSPARENTE |