



ECHO Incorporated, 400 Oakwood Road, Lake Zurich, IL 60047-1564

847-540-8400

IMPORTANT SAFETY RECALL NOTICE

February 21, 2020

To: Owners of ECHO PB-8010H and PB-8010T Backpack Blowers

In cooperation with the U.S. Consumer Product Safety Commission, ECHO Incorporated is recalling certain ECHO backpack blowers and replacement shoulder straps. These products and straps were sold between August 2018 and February 2020 throughout the United States and Canada by independent ECHO dealers and online at www.homedepot.com and www.grainger.com.

The Problem: Shoulder straps, plastic buckles, or the anti-static wire can be drawn into the fan causing the fan to break apart and allow plastic pieces to be expelled through the blower fan housing and pose a laceration and impact hazard to the operator. The expelled plastic pieces also can cause injury to bystanders.

Our records indicate that you may have purchased a product subject to this recall. **You should discontinue use of this product immediately and contact your local authorized ECHO service dealer for free repair of your blower.** Please refer to the reverse side of this letter for further details. Authorized ECHO service dealers can be found under the Store Locator at www.echo-usa.com or by calling 800-432-3246.

For further information, visit www.echo-usa.com or call ECHO's toll free number between 8:00 a.m. and 4:30 p.m. CST Monday – Friday at 800-432-3246 to speak to a company representative.

Please accept our apology for any inconvenience this may cause you, however; customer safety is our primary concern for this recall.

Sincerely,

ECHO Incorporated

SAFETY RECALL NOTICE

In cooperation with the U.S. Consumer Product Safety Commission



ECHO PB-8010H and PB-8010T Backpack Blowers
and Replacement Shoulder Straps
Sold from August 2018 through February 2020

The conditions listed below can result in damage to the blower fan and fan housing causing plastic pieces to be expelled from the machine. Blower fan failure can result in lacerations and impact hazards to the operator. The expelled plastic pieces also can cause injury to bystanders.

ECHO PB-8010

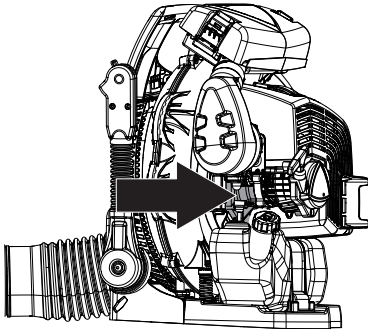


Shoulder Strap

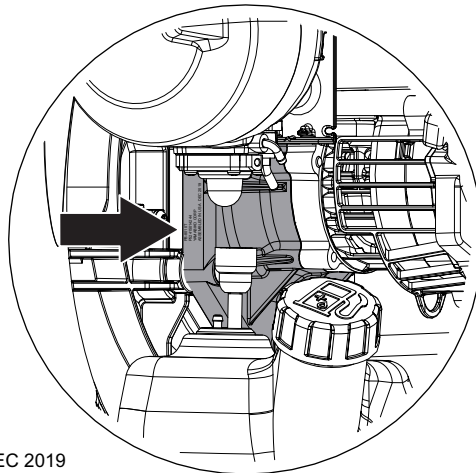


- Shoulder strap upper stitching may come loose from harness allowing plastic buckles to become detached and become drawn into the blower fan.
- Shoulder adjustment straps can become drawn into the blower fan.
- Improper routing of the anti-static discharge ground wire can allow the wire to be drawn into the blower fan.

Serial Number Location



PB-8010T
P52415014244
YAMABIKO CORP
ASSEMBLED IN USA DEC 2019



Models	Start Serial Number	End Serial Number
PB-8010H	P48715001001	P48715999999
	P52315001001	P52315011904
PB-8010T	P48615001001	P48615999999
	P52415001001	P52415014244

Replacement Shoulder Straps	Part Number
Right Shoulder Strap	C061000780 & C061000781
Left Shoulder Strap	C061000790 & C061000791

If your PB-8010H or PB-8010T Backpack Blower or replacement shoulder strap is within the recall serial number range, or the dates listed above, **you should discontinue use of this product immediately** and contact your local authorized ECHO service dealer for free repair of your blower.

For further information, visit www.echo-usa.com or call ECHO's toll-free number between 8:00 a.m. and 4:30 p.m. CST, Monday - Friday at 800-432-3246, to speak to a company representative.