



OPTIONAL ATTACHMENTS & ACCESSORIES

Attachments

215111	Maxi-Cut Head
215311	Maxi-Cut Head
21560040	ECHOMATIC Single Line Head
21560040B	Semi-Auto Head Assembly
21560056	2-Line Rapid Loader Trimmer Head
99944200201	GT Shoulder Harness Kit
99944200240	GT ECHOMATIC Trimmer Head

PARTS CATALOG
GT-2000R Type 1E
Grass Trimmer

21.2cc

SERIAL NUMBERS

001001 - 999999

ECHO, INCORPORATED

400 Oakwood Road Lake Zurich, Illinois 60047 USA

WWW.ECHO-USA.COM



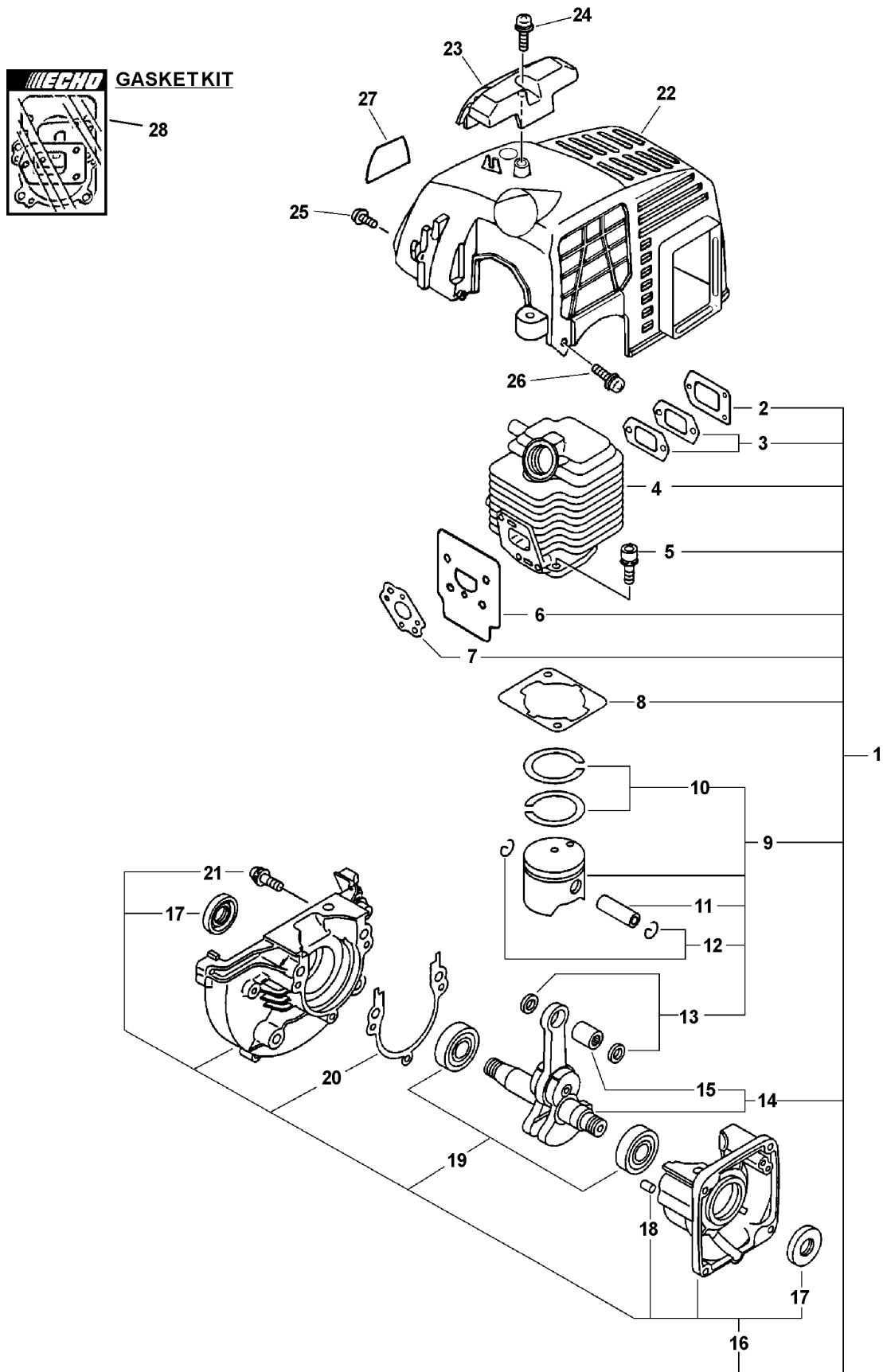
Table of Contents

Click Any Diagram Description Below To View That Diagram.

GT-2000R TYPE 1E S/N: 001001 - 999999

Engine, Engine Cover, Short Block.....	4
Starter.....	6
Intake, Exhaust, Fuel System.....	8
Carburetor.....	10
Ignition, Fan Case.....	12
Shield, Gear Case, Cutting Head.....	14
Main Pipe, Handles, Throttle, Driveshaft.....	16
Part Number Index.....	18
Part Description Index.....	19

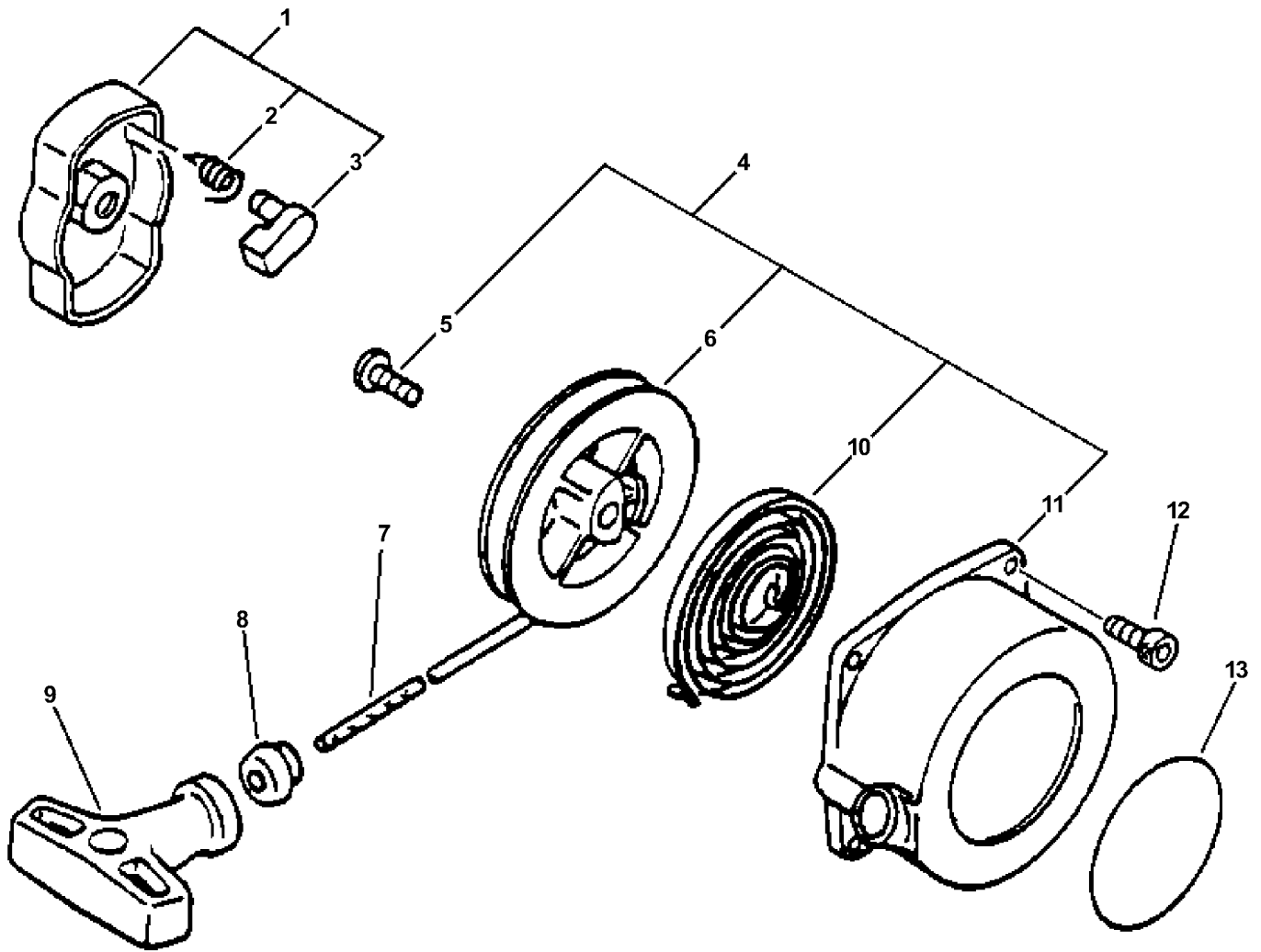
This Page Intentionally Left Blank



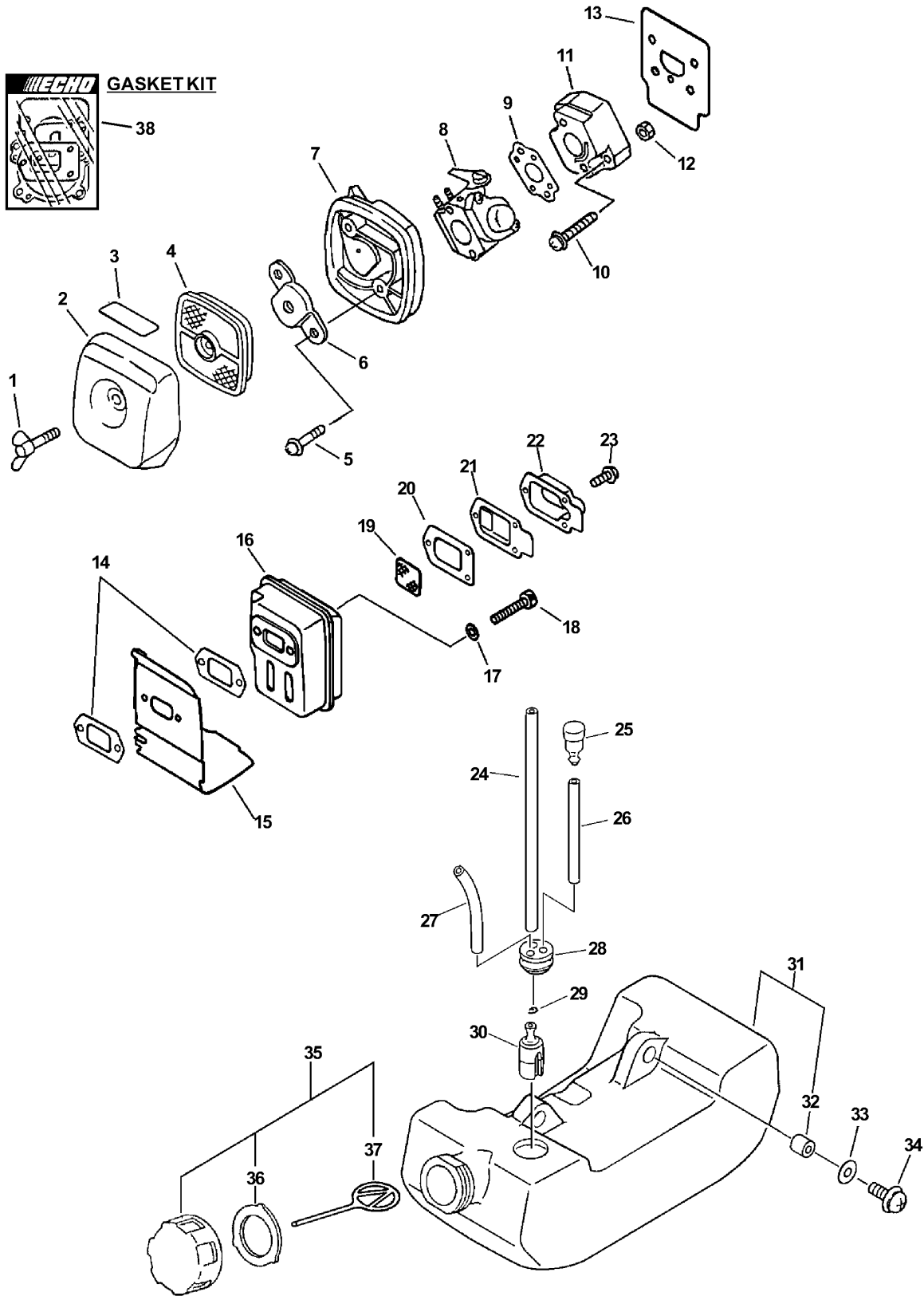
ITEM	PART NUMBER	QTY	DESCRIPTION	REMARKS
1	SB1026	1	SHORT BLOCK -- SB1026	INCLUDES 2-21; OPTIONAL ENGINE REPOWER
2	V104000003	1	GASKET, EXHAUST	
3	V104000160	2	GASKET, EXHAUST	
4	A130000011	1	CYLINDER	
5	90016205022	2	SCREW - 5X22	
6	V103000490	1	SHIELD, INTAKE ¹	
7	13001642031	1	GASKET, INTAKE ¹	
8	10101044332	1	GASKET, CYLINDER ¹	
9	P021001101	1	PISTON KIT	INCLUDES ITEMS 10-13
10	A101000000	2	RING, PISTON	
11	10001311520	1	PIN, PISTON	
12	10001504630	2	RING, RETAINING	
13	10001411520	2	SPACER, PISTON	
14	A011000001	1	CRANKSHAFT ASY	INCLUDES ITEM 15
15	V553000010	1	BEARING, NEEDLE - 8	
16	10020452132	1	CRANKCASE KIT	INCLUDES ITEMS 17-21
17	10021242031	2	SEAL, OIL	
18	V622000020	2	PIN, DOWEL	
19	9403536201	2	BEARING, BALL - 6201	
20	10024242030	1	GASKET, CRANKCASE ¹	
21	90016205028	3	SCREW - 5X28	
22	10151448731	1	COVER, ENGINE - GRAY	
23	15991248630	1	GUARD, TOP - GRAY	
24	90025305016	1	SCREW - 5X16 -- TAPPING	
25	90016304016	2	SCREW - 4X16	
26	90025304012	2	SCREW - 4X12 -- TAPPING	
27	X543000090	1	LABEL - MODEL -- GT-2000R	
27	X543000010	1	LABEL - MODEL -- GT-2000EZR	
28	88900042033	1	GASKET KIT	

Footnotes

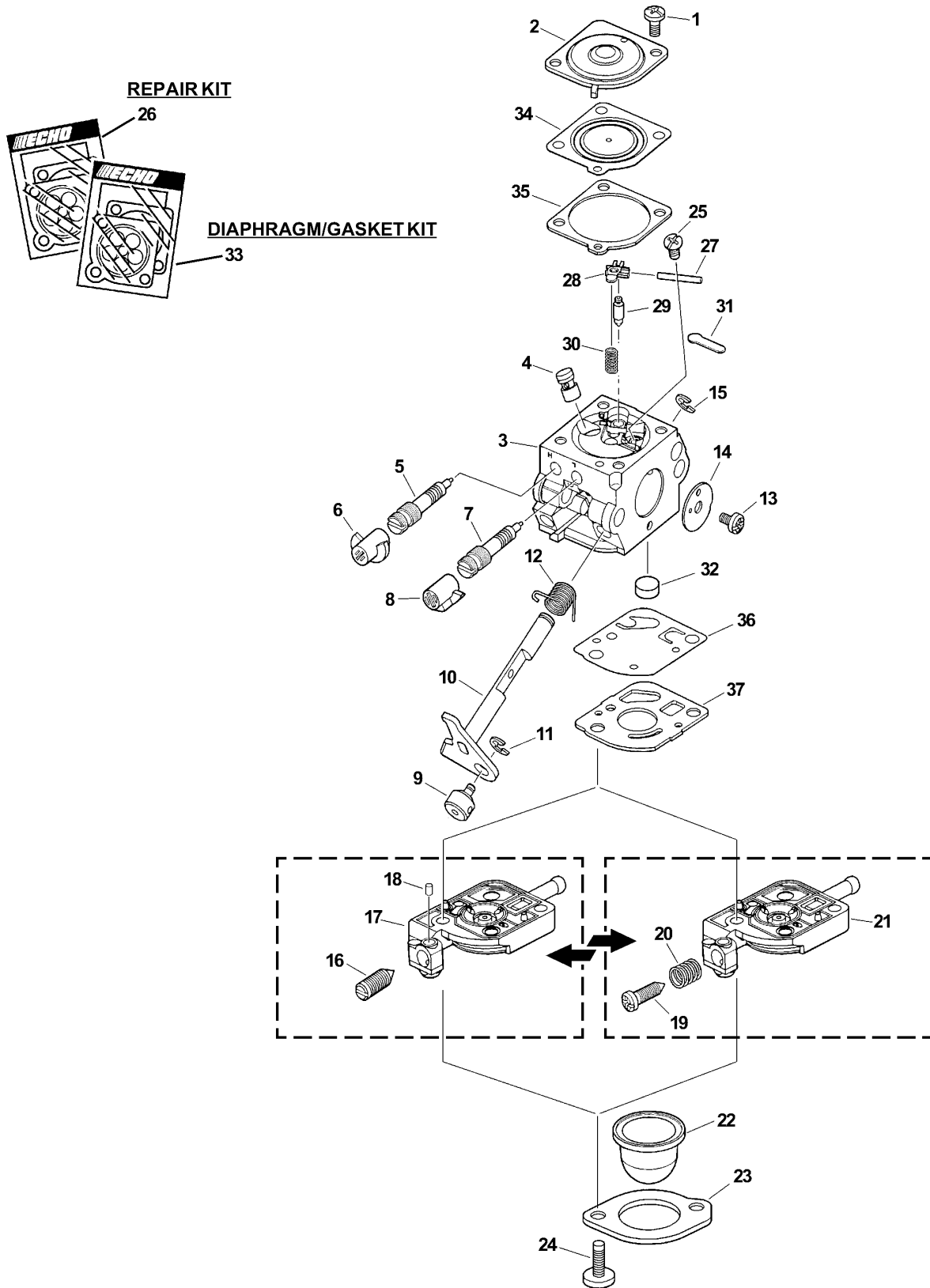
1: Also Included In GASKET KIT



ITEM	PART NUMBER	QTY	DESCRIPTION	REMARKS
1	17720244330	1	STARTER PAWL ASY	INCLUDES ITEMS 2-3
2	17723412220	1	SPRING, RETURN	
3	17721844330	1	PAWL, STARTER	
4	17720042033	1	STARTER ASY	INCLUDES ITEMS 5-11
5	17723644330	1	SCREW	
6	17721544430	1	REEL, ROPE	
7	17722610120	1	ROPE, STARTER - 3X1000	REPOWER BULK OPTION: 99944440000
8	17722742030	1	GUIDE, ROPE	
9	17722806530	1	GRIP, STARTER	
10	17722042030	1	SPRING, REWIND	
11	17723242032	1	CASE, STARTER	
12	90016304016	4	SCREW - 4X16	
13	89011849130	1	LABEL - ECHO	



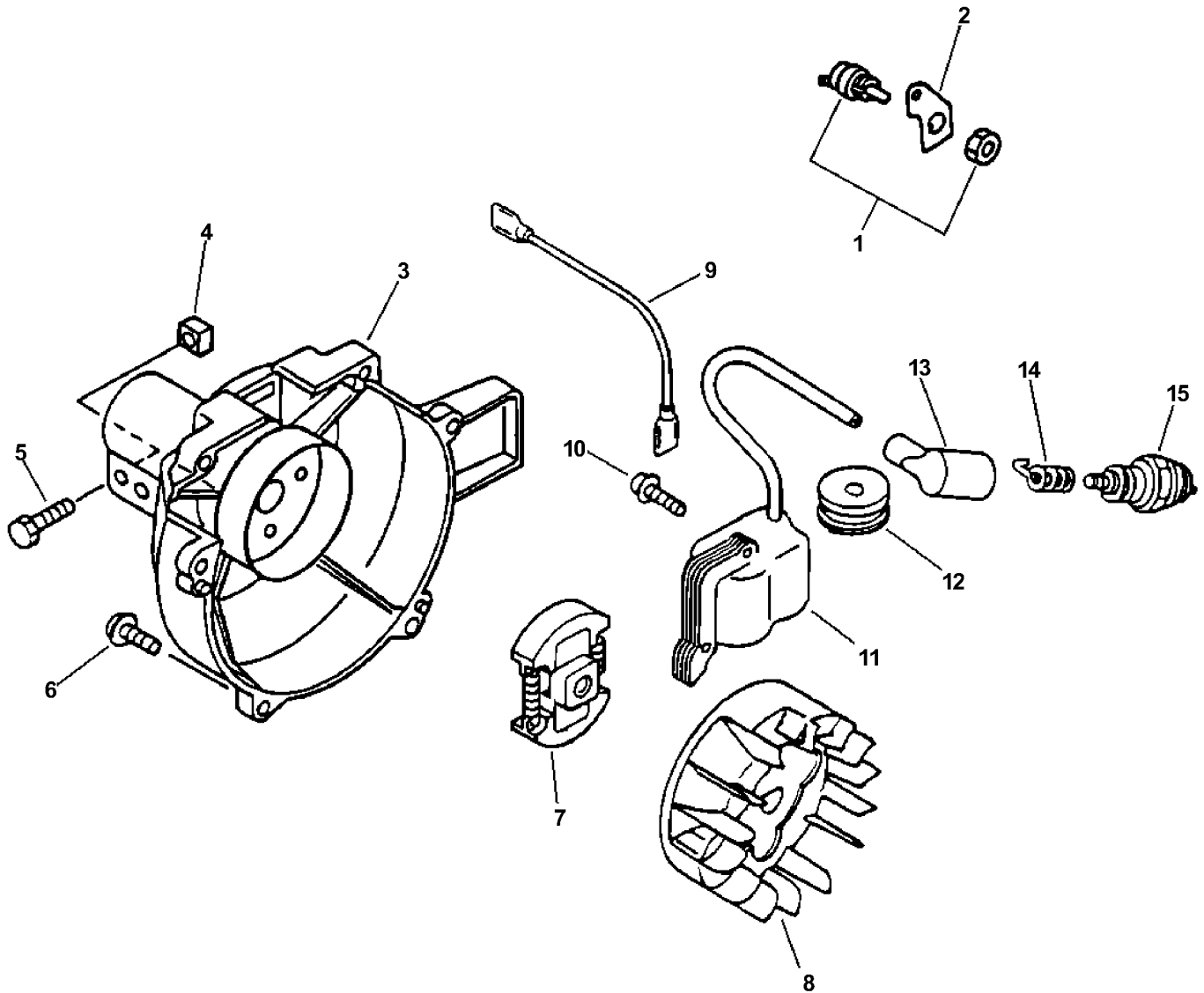
ITEM	PART NUMBER	QTY	DESCRIPTION	REMARKS
1	21041752730	1	THUMBSCREW	
2	13031306563	1	COVER, AIR CLEANER - GRAY	
3	89012106360	1	LABEL - CHOKE	
4	13031054130	1	FILTER, AIR - SINGLE LAYER	
5	90024205065	2	SCREW - 5X65	
6	12901152730	1	PLATE, PREVENT	
7	P021002921	1	AIR CLEANER CASE KIT - GRAY	
8	12520013312	1	CARBURETOR -- C1U-K52	
9	13001642031	1	GASKET, INTAKE	
10	90023805020	2	SCREW - 5X20	
11	13001742031	1	INSULATOR, INTAKE	
12	90050000005	1	NUT	
13	V103000490	1	SHIELD, INTAKE	
14	V104000160	2	GASKET, EXHAUST	
15	A320000251	1	SHIELD, EXHAUST	
16	14580642030	1	MUFFLER ASY	
17	90060000005	2	WASHER	
18	90010505055	2	SCREW - 5X55	
19	14586240630	1	SCREEN, SPARK ARRESTER	
20	V104000003	1	GASKET, EXHAUST	
21	A313000000	1	GUIDE, EXHAUST - OUTER	
22	14587642030	1	GUIDE, EXHAUST - INNER	
23	90023804010	3	SCREW - 4X10	
24	V471001190	1	PIPE, PRIMER - 3X5X180	REPOWER BULK OPTION: 90014
25	A356000030	1	VENT ASY	
26	V471001200	1	PIPE - 3X5X70	REPOWER BULK OPTION: 90014
27	13201056330	1	PIPE - 3X6X90 -- CLEAR	REPOWER BULK OPTION: 90017
28	V137000030	1	GROMMET	
29	13201309820	1	CLIP	
30	13120507320	1	FILTER, FUEL	
31	13100546831	1	TANK, FUEL	INCLUDES ITEM 32
32	13104528230	2	COLLAR	
33	90060300005	2	WASHER - 5	
34	90023805016	2	SCREW - 5X16	
35	13100455530	1	CAP ASY - ORANGE	INCLUDES ITEM 36-37
36	13101655830	1	GASKET	
37	13105156030	1	CONNECTOR, CAP	
38	88900042033	1	GASKET KIT	



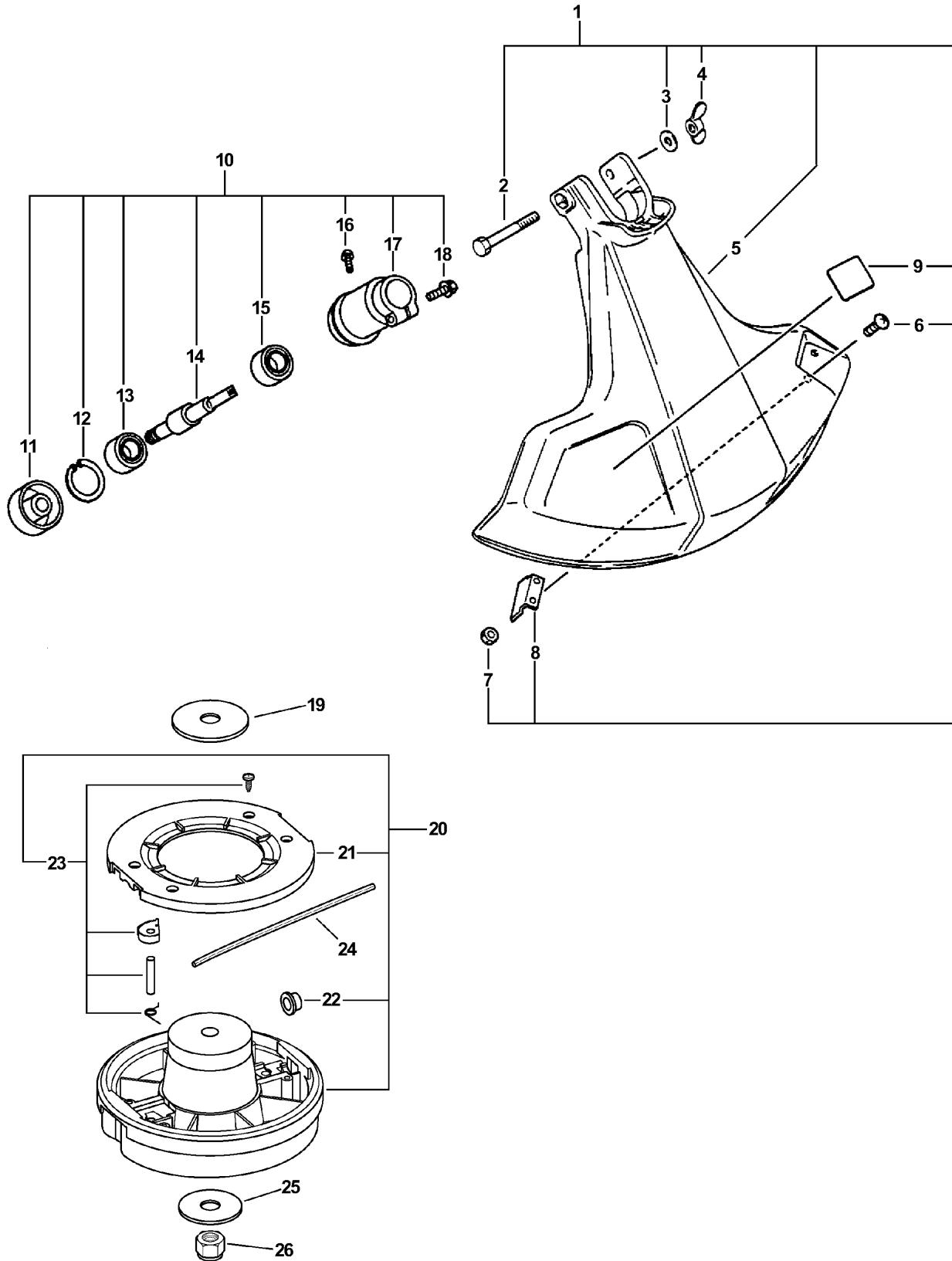
ITEM	PART NUMBER	QTY	DESCRIPTION	REMARKS
	12520013312	1	CARBURETOR -- C1U-K52	
1	12534452130	2	SCREW	
2	12534213210	1	COVER, DIAPHRAGM	
3	-----	1	BODY, CARBURETOR ¹	
4	12537613120	1	NOZZLE, CHECK VALVE	
5	12532013310	1	NEEDLE - HIGH SPEED	
6	12532939030	1	CAP, LIMITER	
7	12531813310	1	NEEDLE - LOW SPEED	
8	12532909860	1	CAP, LIMITER	
9	12537242030	1	SWIVEL	
10	12531749030	1	SHAFT, THROTTLE	
11	12532713930	1	RING, RETAINING	
12	12531342030	1	SPRING, RETURN	
13	12531413930	1	SCREW, VALVE	
14	12531649030	1	VALVE, THROTTLE	
15	12532715130	1	RING, RETAINING	
16	12533413930	1	SCREW, IDLE ADJUST	
17	P005000990	1	BASE, PURGE	
18	12537813930	1	PIECE, FRICTION	
19	12533406960	1	SCREW, IDLE ADJUST	
20	12533306960	1	SPRING, IDLE ADJUST	
21	P005000590	1	BASE, PURGE	
22	12538108660	1	BULB, PURGE	
23	12536311610	1	RETAINER, PURGE BULB	
24	12531011610	2	SCREW, PURGE BULB RETAINER	
25	12533942030	1	SCREW, METERING LEVER PIN	
26	12530013310	1	REPAIR KIT	INCLUDES ITEMS 27-37
27		1	PIN, METERING LEVER	
28		1	LEVER, METERING	
29		1	VALVE, INLET NEEDLE	
30		1	SPRING, METERING LEVER	
31		1	WELCH PLUG	
32		1	STRAINER	
33	12530313310	1	DIAPHRAGM/GASKET KIT	INCLUDES ITEMS 34-37
34	-----	1	DIAPHRAGM, METERING	
35		1	GASKET, METERING DIAPHRAGM	
36		1	DIAPHRAGM, FUEL PUMP	
37		1	GASKET, FUEL PUMP	

Footnotes

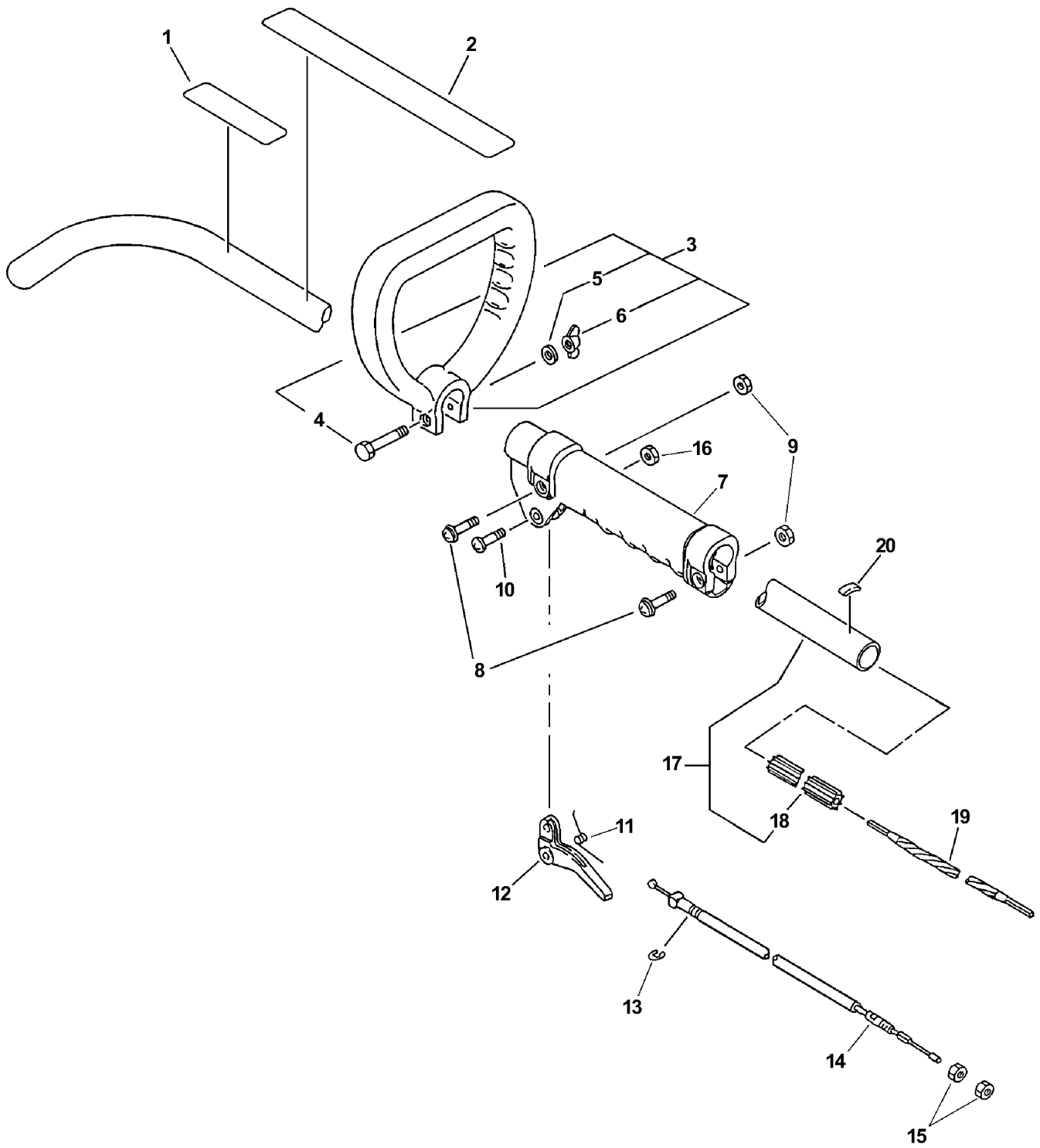
1: NOT AVAILABLE SEPARATELY



ITEM	PART NUMBER	QTY	DESCRIPTION	REMARKS
1	16340003460	1	IGNITION SWITCH ASY	
2	16381044330	1	BRACKET, SWITCH	
3	10150348730	1	FAN CASE ASY	
4	90056550005	2	NUT - 5 -- SQUARE	
5	90014205028	2	BOLT - 5X28	
6	90016304018	4	SCREW - 4X18	
7	17500056830	1	CLUTCH ASY	
8	15680109660	1	FLYWHEEL	
9	16202152830	1	LEAD - GROUND	
10	90016204022	2	SCREW - 4X22	
11	15662652730	1	COIL, IGNITION	
12	15011244330	1	GROMMET	
13	15901201620	1	CAP, SPARK PLUG	
14	15901103432	1	TERMINAL, SPARK PLUG CAP	
15	15901010630	1	SPARK PLUG -- BPM-7A	
15	15901710230	1	SPARK PLUG -- RCJ-7Y	CANADA MODELS



ITEM	PART NUMBER	QTY	DESCRIPTION	REMARKS
1	69900452730	1	DEBRIS SHIELD KIT	INCLUDES ITEMS 2-9
2	90001708064	1	BOLT - 1/4-20 X 2"	
3	90003500008	1	WASHER - 1/4"	
4	90003300008	1	WINGNUT - 1/4-20	
5	69901044330	1	SHIELD, GRASS TRIMMING	
6	90023805016	2	SCREW - 5X16	
7	90050000005	2	NUT	
8	69901644330	1	KNIFE, TRIMMER LINE	
9	89016844330	1	LABEL - CAUTION	
10	61040452430	1	GEAR CASE ASY	INCLUDES ITEM 11-18
11	61030552430	1	PLATE, ADAPTER - UPPER	
12	90070200030	1	RING, RETAINING - 30	
13	90081106201	1	BEARING, BALL - 6201	
14	61031052430	1	GEAR, SHAFT	
15	90081006200	1	BEARING, BALL - 6200	
16	90024204010	1	SCREW - 4X10	
17	61041052430	1	CASE, GEAR	
18	90015205025	1	BOLT - 5X25	
19	V307000110	1	WASHER	
20	X480000020	1	TWO LINE RAPID LOADER ATTACHMENT	INCLUDES ITEM 21-23
21	P022001070	1	COVER, TOP	
22	P022001080	2	EYELET	
23	P022001091	1	REPAIR KIT	INCLUDES 3 OF EACH
24	99922203490	1	LINE, CUTTING - 0.80" (20 PER PACKAGE)	
25	V307000080	1	WASHER - 10	
26	V266000030	1	LOCKNUT	



ITEM	PART NUMBER	QTY	DESCRIPTION	REMARKS
1	89022809560	1	LABEL - CAUTION -- SPANISH	
2	89031744530	1	LABEL - CAUTION	
2	89031748731	1	LABEL - CAUTION	
3	35160044330	1	FRONT HANDLE ASY	INCLUDES ITEMS 4-6
4	90001708048	1	BOLT - 1/4-20 X 1-1/2"	
5	90003500008	1	WASHER - 1/4"	
6	90003300008	1	WINGNUT - 1/4-20	
7	35121344330	1	GRIP, HANDLE	
8	90024205025	2	SCREW - 5X25	
9	90050000005	2	NUT	
10	17811005330	1	SCREW - 5X30	
11	17804306930	1	SPRING, TRIGGER	
12	17801048731	1	TRIGGER, THROTTLE	
13	90070000005	1	RING, RETAINING - 5	
14	17800144430	1	CABLE, THROTTLE	
15	90050200006	2	NUT - 6	
16	90056000005	1	LOCKNUT - 5	
17	61020644330	1	MAIN PIPE ASY	INCLUDES ITEM 18
18	61021744330	1	LINER - FLEXIBLE	
19	C506000030	1	DRIVESHAFT - FLEXIBLE	
20	89015204930	1	LABEL - ALIGNMENT	



Part Number Index

Click The Page Number After Any Part Number To View The Diagram Containing That Part.

Part Number	Page	Part Number	Page	Part Number	Page
-----	11	17723412220	7	V103000490	5, 9
-----	11	17723644330	7	V104000003	5, 9
10001311520	5	17800144430	17	V104000160	5, 9
10001411520	5	17801048731	17	V137000030	9
10001504630	5	17804306930	17	V266000030	15
10020452132	5	17811005330	17	V307000080	15
10021242031	5	21041752730	9	V307000110	15
10024242030	5	35121344330	17	V471001190	9
10101044332	5	35160044330	17	V471001200	9
10150348730	13	61020644330	17	V553000010	5
10151448731	5	61021744330	17	V622000020	5
12520013312	9, 11	61030552430	15	X48000020	15
12530013310	11	61031052430	15	X543000010	5
12530313310	11	61040452430	15	X543000090	5
12531011610	11	61041052430	15		
12531342030	11	69900452730	15		
12531413930	11	69901044330	15		
12531649030	11	69901644330	15		
12531749030	11	88900042033	5, 9		
12531813310	11	89011849130	7		
12532013310	11	89012106360	9		
12532713930	11	89015204930	17		
12532715130	11	89016844330	15		
12532909860	11	89022809560	17		
12532939030	11	89031744530	17		
12533306960	11	89031748731	17		
12533406960	11	90001708048	17		
12533413930	11	90001708064	15		
12533942030	11	90003300008	15, 17		
12534213210	11	90003500008	15, 17		
12534452130	11	90010505055	9		
12536311610	11	90014205028	13		
12537242030	11	90015205025	15		
12537613120	11	90016204022	13		
12537813930	11	90016205022	5		
12538108660	11	90016205028	5		
12901152730	9	90016304016	5, 7		
13001642031	5, 9	90016304018	13		
13001742031	9	90023804010	9		
13031054130	9	90023805016	9, 15		
13031306563	9	90023805020	9		
13100455530	9	90024204010	15		
13100546831	9	90024205025	17		
13101655830	9	90024205065	9		
13104528230	9	90025304012	5		
13105156030	9	90025305016	5		
13120507320	9	90050000005	9, 15, 17		
13201056330	9	90050200006	17		
13201309820	9	90056000005	17		
14580642030	9	90056550005	13		
14586240630	9	90060000005	9		
14587642030	9	90060300005	9		
15011244330	13	90070000005	17		
15662652730	13	90070200030	15		
15680109660	13	90081006200	15		
15901010630	13	90081106201	15		
15901103432	13	9403536201	5		
15901201620	13	99922203490	15		
15901710230	13	A011000001	5		
15991248630	5	A101000000	5		
16202152830	13	A130000011	5		
16340003460	13	A313000000	9		
16381044330	13	A320000251	9		
17500056830	13	A356000030	9		
17720042033	7	C506000030	17		
17720244330	7	P005000590	11		
17721544430	7	P005000990	11		
17721844330	7	P021001101	5		
17722042030	7	P021002921	9		
17722610120	7	P022001070	15		
17722742030	7	P022001080	15		
17722806530	7	P022001091	15		
17723242032	7	SB1026	5		



Part Description Index

Click The Page Number After Any Part Description To View The Diagram Containing That Part.

A

AIR CLEANER CASE KIT - GRAY.....9

B

BASE, PURGE.....11
 BEARING, BALL - 6200.....15
 BEARING, BALL - 6201.....5, 15
 BEARING, NEEDLE - 8.....5
 BODY, CARBURETOR.....11
 BOLT - 1/4-20 X 1-1/2".....17
 BOLT - 1/4-20 X 2".....15
 BOLT - 5X25.....15
 BOLT - 5X28.....13
 BRACKET, SWITCH.....13
 BULB, PURGE.....11

C

CABLE, THROTTLE.....17
 CAP ASY - ORANGE.....9
 CAP, LIMITER.....11
 CAP, SPARK PLUG.....13
 CARBURETOR -- C1U-K52.....9, 11
 CASE, GEAR.....15
 CASE, STARTER.....7
 CLIP.....9
 CLUTCH ASY.....13
 COIL, IGNITION.....13
 COLLAR.....9
 CONNECTOR, CAP.....9
 COVER, AIR CLEANER - GRAY.....9
 COVER, DIAPHRAGM.....11
 COVER, ENGINE - GRAY.....5
 COVER, TOP.....15
 CRANKCASE KIT.....5
 CRANKSHAFT ASY.....5
 CYLINDER.....5

D

DEBRIS SHIELD KIT.....15
 DIAPHRAGM, FUEL PUMP.....11
 DIAPHRAGM, METERING.....11
 DIAPHRAGM/GASKET KIT.....11
 DRIVESHAFT - FLEXIBLE.....17

E

EYELET.....15

F

FAN CASE ASY.....13
 FILTER, AIR - SINGLE LAYER.....9
 FILTER, FUEL.....9
 FLYWHEEL.....13
 FRONT HANDLE ASY.....17

G

GASKET.....9
 GASKET KIT.....5, 9
 GASKET, CRANKCASE.....5
 GASKET, CYLINDER.....5
 GASKET, EXHAUST.....5, 9
 GASKET, FUEL PUMP.....11
 GASKET, INTAKE.....5, 9

GASKET, METERING DIAPHRAGM.....11
 GEAR CASE ASY.....15
 GEAR, SHAFT.....15
 GRIP, HANDLE.....17
 GRIP, STARTER.....7
 GROMMET.....9, 13
 GUARD, TOP - GRAY.....5
 GUIDE, EXHAUST - INNER.....9
 GUIDE, EXHAUST - OUTER.....9
 GUIDE, ROPE.....7

I

IGNITION SWITCH ASY.....13
 INSULATOR, INTAKE.....9

K

KNIFE, TRIMMER LINE.....15

L

LABEL - ALIGNMENT.....17
 LABEL - CAUTION.....15, 17
 LABEL - CAUTION -- SPANISH.....17
 LABEL - CHOKE.....9
 LABEL - ECHO.....7
 LABEL - MODEL -- GT-2000EZR.....5
 LABEL - MODEL -- GT-2000R.....5
 LEAD - GROUND.....13
 LEVER, METERING.....11
 LINE, CUTTING - 0.80" (20 PER PACKAGE).....15
 LINER - FLEXIBLE.....17
 LOCKNUT.....15
 LOCKNUT - 5.....17

M

MAIN PIPE ASY.....17
 MUFFLER ASY.....9

N

NEEDLE - HIGH SPEED.....11
 NEEDLE - LOW SPEED.....11
 NOZZLE, CHECK VALVE.....11
 NUT.....9, 15, 17
 NUT - 5 -- SQUARE.....13
 NUT - 6.....17

P

PAWL, STARTER.....7
 PIECE, FRICTION.....11
 PIN, DOWEL.....5
 PIN, METERING LEVER.....11
 PIN, PISTON.....5
 PIPE - 3X5X70.....9
 PIPE - 3X6X90 -- CLEAR.....9
 PIPE, PRIMER - 3X5X180.....9
 PISTON KIT.....5
 PLATE, ADAPTER - UPPER.....15
 PLATE, PREVENT.....9

R

REEL, ROPE.....7
 REPAIR KIT.....11, 15
 RETAINER, PURGE BULB.....11

RING, PISTON.....5
 RING, RETAINING.....5, 11
 RING, RETAINING - 30.....15
 RING, RETAINING - 5.....17
 ROPE, STARTER - 3X1000.....7

S

SCREEN, SPARK ARRESTER.....9
 SCREW.....7, 11
 SCREW - 4X10.....9, 15
 SCREW - 4X12 -- TAPPING.....5
 SCREW - 4X16.....5, 7
 SCREW - 4X18.....13
 SCREW - 4X22.....13
 SCREW - 5X16.....9, 15
 SCREW - 5X16 -- TAPPING.....5
 SCREW - 5X20.....9
 SCREW - 5X22.....5
 SCREW - 5X25.....17
 SCREW - 5X28.....5
 SCREW - 5X30.....17
 SCREW - 5X55.....9
 SCREW - 5X65.....9
 SCREW, IDLE ADJUST.....11
 SCREW, METERING LEVER PIN.....11
 SCREW, PURGE BULB RETAINER.....11
 SCREW, VALVE.....11
 SEAL, OIL.....5
 SHAFT, THROTTLE.....11
 SHIELD, EXHAUST.....9
 SHIELD, GRASS TRIMMING.....15
 SHIELD, INTAKE.....5, 9
 SHORT BLOCK -- SB1026.....5
 SPACER, PISTON.....5
 SPARK PLUG -- BPM-7A.....13
 SPARK PLUG -- RCJ-7Y.....13
 SPRING, IDLE ADJUST.....11
 SPRING, METERING LEVER.....11
 SPRING, RETURN.....7, 11
 SPRING, REWIND.....7
 SPRING, TRIGGER.....17
 STARTER ASY.....7
 STARTER PAWL ASY.....7
 STRAINER.....11
 SWIVEL.....11

T

TANK, FUEL.....9
 TERMINAL, SPARK PLUG CAP.....13
 THUMBSCREW.....9
 TRIGGER, THROTTLE.....17
 TWO LINE RAPID LOADER ATTACHMENT.....15

V

VALVE, INLET NEEDLE.....11
 VALVE, THROTTLE.....11
 VENT ASY.....9

W

WASHER.....9, 15
 WASHER - 1/4".....15, 17
 WASHER - 10.....15
 WASHER - 5.....9



Part Description Index (continued)

WELCH PLUG.....11
WINGNUT - 1/4-20.....15, 17

NOTES



ECHO, INCORPORATED

400 Oakwood Road
Lake Zurich, IL 60047 USA

WWW.ECHO-USA.COM
