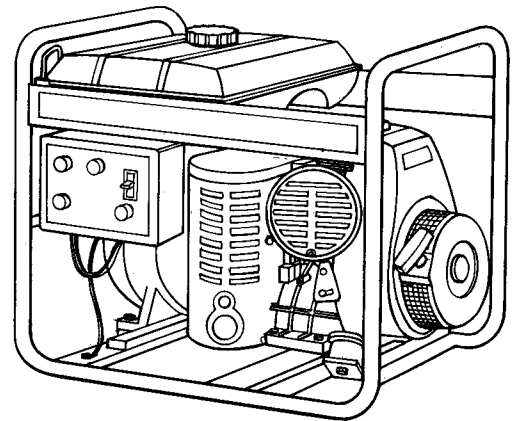
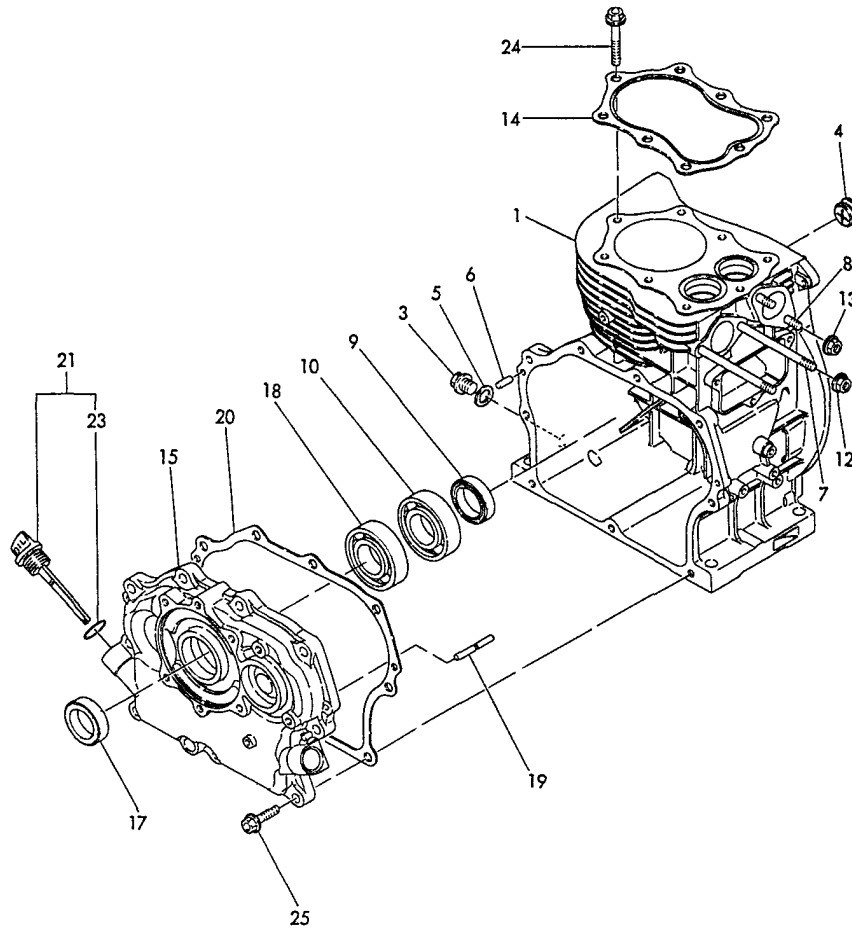




**GENERATOR PARTS MANUAL
MODEL EG-4300E**



1 CYLINDER BLOCK



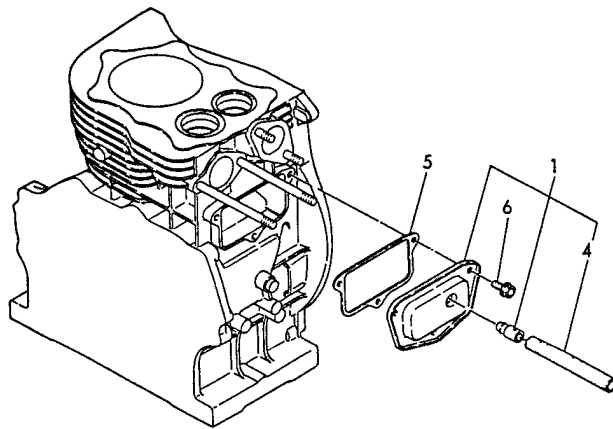
(1) CYLINDER BLOCK

(A) = EG-4300E (D) =
 (B) = (E) =
 (C) = (F) =

1B02
 (1B01)

REF. NO.	LEV.	O	PART NO.	DESCRIPTION	Q'TY					
					(A)	(B)	(C)	(D)	(E)	(F)
1	.		Y 760975-01560	BLOCK ASSY, CYLINDER	1					
3	..		Y 160610-01690	PLUG, DRAIN	1					
4	..		Y 160820-01950	PLUG	1					
5	..		Y 104200-59170	GASKET 12	1					
6	..		Y 223120-60160	PARALLEL PIN 6 X 16	2					
7	..		Y 262160-80952	STUD M8 X 95 PLATED	2					
8	..		Y 262260-80182	STUD M8 X 18 PLATED	2					
9	..		Y 101220-02220	OIL SEAL	1					
10	..		Y 241010-62060	BEARING 6206 C3	1					
12	..		Y 263660-80002	NUT M8	2					
13	..		Y 263660-80002	NUT M8	2					
14	.		Y 160910-01330	GASKET, CYL. HEAD	1					
15	.		Y 760940-01500	COVER ASSY, CASE	1					
17	..		Y 101220-02220	OIL SEAL	1					
18	..		Y 241010-62060	BEARING 6206 C3	1					
19	..		Y 160610-61100	SHAFT, GOVERNOR	1					
20	.		Y 160910-01410	GASKET, CRANKCASE	1					
21	.		Y 160910-01740	CAP ASSY, OIL FILLER	1					
23	..		Y 243110-00180	O-RING 1A P-18.0	1					
24	.		Y 160610-04180	BOLT M8 X 50	8					
25	.		Y 261060-80302	BOLT M8 X 30 PLATED	9					

2 BREATHER



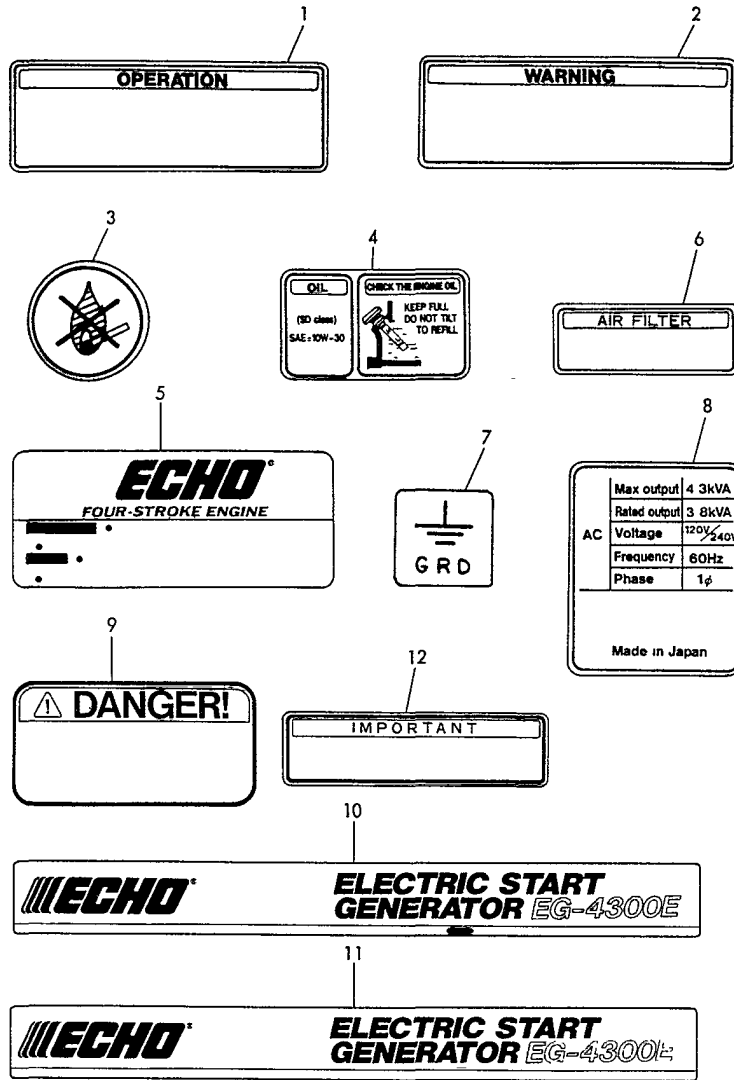
**1B03
(1B01)**

(2) BREATHER

(A) = EG-4300E (D) =
 (B) = (E) =
 (C) = (F) =

REF. NO.	LEV.	O	PART NO.	DESCRIPTION	Q'TY					
					(A)	(B)	(C)	(D)	(E)	(F)
1	.		Y 160910-03010	BREATHER	1					
4	..		Y 160710-03180	PIPE, BREATHER	1					
5	.		Y 160810-03070	GASKET, BREATHER	1					
6	.		Y 264760-60142	BOLT M6 X 14	3					

3 LABEL



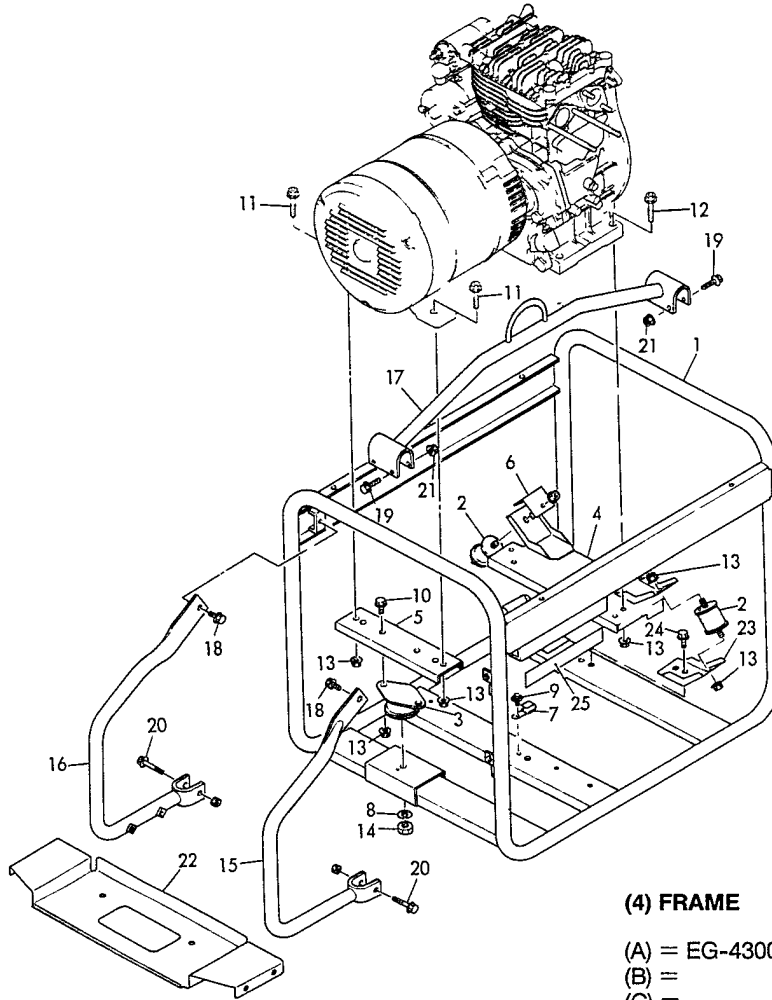
1B04
(1B01)

(3) LABEL

(A) = EG-4300E (D) =
 (B) = (E) =
 (C) = (F) =

REF. NO.	LEV.	O	PART NO.	DESCRIPTION	Q'TY					
					(A)	(B)	(C)	(D)	(E)	(F)
1	.	Y	183621-07250	LABEL	1					
2	.	Y	183621-07260	LABEL, WARNING	1					
3	.	Y	183210-07270	LABEL, NON-FIRE	1					
4	.	Y	183210-07290	LABEL, OIL	1					
5	.	Y	160671-07371	LABEL (ECHO)	1					
6	.	Y	183210-07370	LABEL, AIR CLEANER	1					
7	.	Y	183210-07390	LABEL, EARTH	1					
8	.	Y	183920-07560	LABEL, GENERATOR	1					
9	.	Y	183720-07270	LABEL, DANGER	1					
10	.	Y	183925-07170	LABEL, GENERATOR	1					
11	.	Y	183925-07180	LABEL, GENERATOR	1					
12	.	Y	183210-07280	LABEL, IMPORTANT	1					

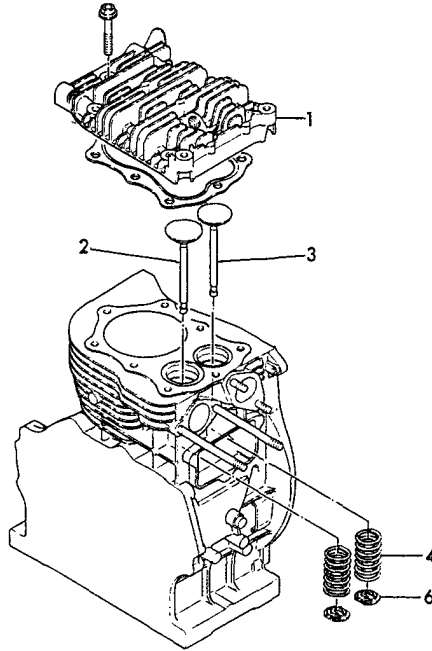
4 FRAME



**1B05
(1B01)**

REF. NO.	LEV.	O	PART NO.	DESCRIPTION	Q'TY					
					(A)	(B)	(C)	(D)	(E)	(F)
1	.	Y	183920-08110	FRAME	1					
2	.	Y	183920-08210	DAMPER, FRONT	2					
3	.	Y	183920-08220	DAMPER, REAR	1					
4	.	Y	183920-08230	STAY, DAMPER	1					
5	.	Y	183720-08250	STAY (REAR), DAMPER	1					
6	.	Y	183920-08260	COVER, DAMPER	1					
7	.	Y	160710-78710	CLAMP, CORD	2					
8	.	Y	222171-00000	SPRING WASHER 10	1					
9	.	Y	261060-60082	BOLT M6 X 8 PLATED	2					
10	.	Y	261060-80202	BOLT M8 X 20 PLATED	2					
11	.	Y	261060-80302	BOLT M8 X 30 PLATED	2					
12	.	Y	261060-80382	BOLT M8 X 38 PLATED	2					
13	.	Y	263660-80002	NUT M8	10					
14	.	Y	267161-00002	NUT 10	1					
15	.	Y	183925-08200	SIDE FRAME, RIGHT	1					
16	.	Y	183925-08210	SIDE FRAME, LEFT	1					
17	.	Y	183920-08400	HOOK	1					
18	.	Y	261060-60122	BOLT M6 X 12	2					
19	.	Y	261060-60302	BOLT M6 X 30	4					
20	.	Y	261060-60402	BOLT M6 X 40	2					
21	.	Y	263660-60002	NUT M6	4					
22	.	Y	183925-08220	BRACKET, BATTERY	1					
23	.	Y	183621-08260	DAMPER STAY (LOWER)	2					
24	.	Y	261060-80162	BOLT M8 X 16	4					
25	.	Y	183825-07910	SHEET, FRAME	1					

5 CYLINDER HEAD



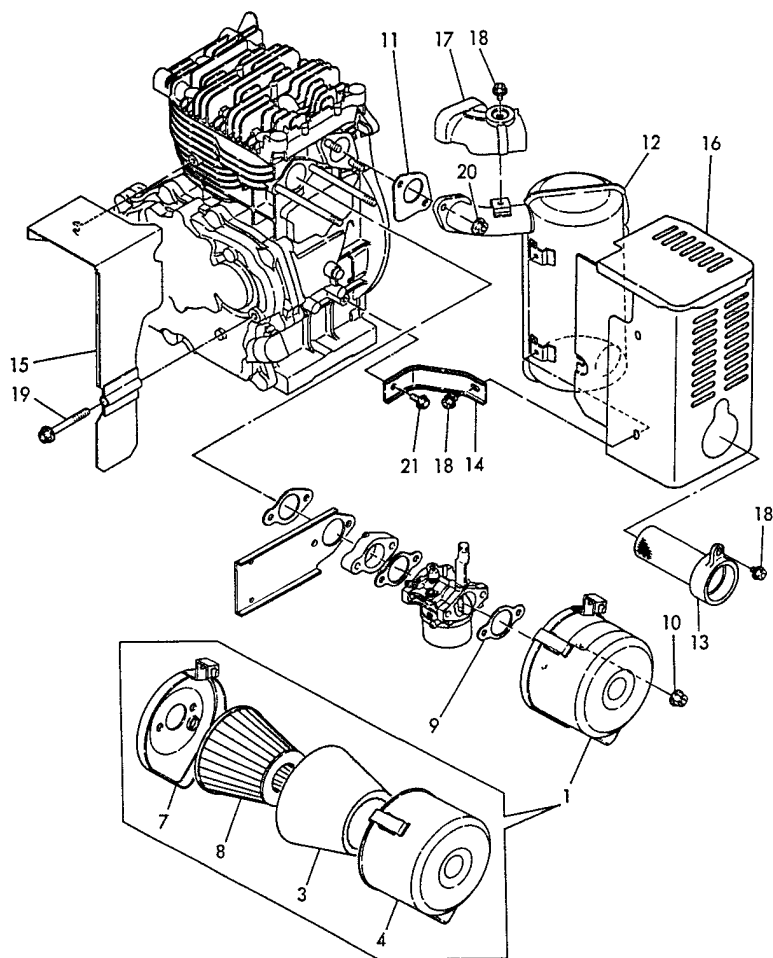
1B06
(1B01)

(5) CYLINDER HEAD

(A) = EG-4300E (D) =
(B) = (E) =
(C) = (F) =

REF. NO.	LEV.	O	PART NO.	DESCRIPTION	Q'TY					
					(A)	(B)	(C)	(D)	(E)	(F)
1	.		Y 160910-11010	HEAD, CYLINDER	1					
2	.		Y 160910-11100	VALVE, SUCTION	1					
3	.		Y 160910-11110	VALVE, EXHAUST	1					
4	.		Y 160810-11120	SPRING, VALVE	2					
6	.		Y 160810-11180	RETAINER, SPRING	2					

6 AIR CLEANER & MUFFLER



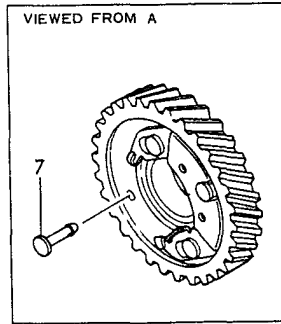
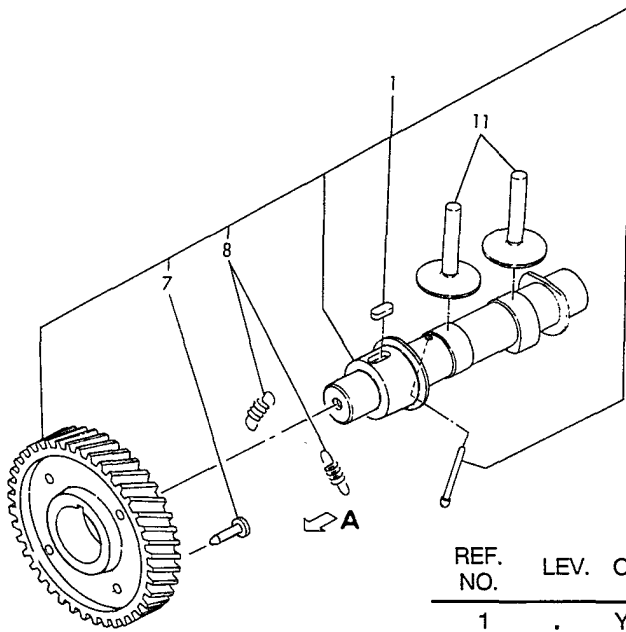
**1B07
(1B01)**

(6) AIR CLEANER & MUFFLER

(A) = EG-4300E (D) =
 (B) = (E) =
 (C) = (F) =

REF. NO.	LEV.	O	PART NO.	DESCRIPTION	Q'TY					
					(A)	(B)	(C)	(D)	(E)	(F)
1	.	Y	760910-12570	CLEANER, AIR	1					
3	..	Y	160280-12570	ELEMENT, AIR CLEANER	1					
4	..	Y	760910-12540	BODY ASSY	1					
7	..	Y	160910-12720	PLATE	1					
8	..	Y	160820-12740	ELEMENT	1					
9	.	Y	160910-56150	GASKET, CARBURETOR	1					
10	.	Y	263660-80002	NUT M8	2					
11	.	Y	160910-13200	GASKET, MUFFLER	1					
12	.	Y	160970-13570	MUFFLER	1					
13	.	Y	160870-13650	SPARK ARRESTER	1					
14	.	Y	160910-13730	STAY, MUFFLER	1					
15	.	Y	160970-13730	PLATE, GUIDE	1					
16	.	Y	160790-13820	COVER, MUFFLER	1					
17	.	Y	160910-13820	COVER (C), MUFFLER	1					
18	.	Y	261060-60082	BOLT M6 X 8 PLATED	6					
19	.	Y	261160-80602	BOLT M8 X 60 PLATED	1					
20	.	Y	263660-80002	NUT M8	2					
21	.	Y	264760-60142	BOLT M6 X 14	1					

7 CAMSHAFT



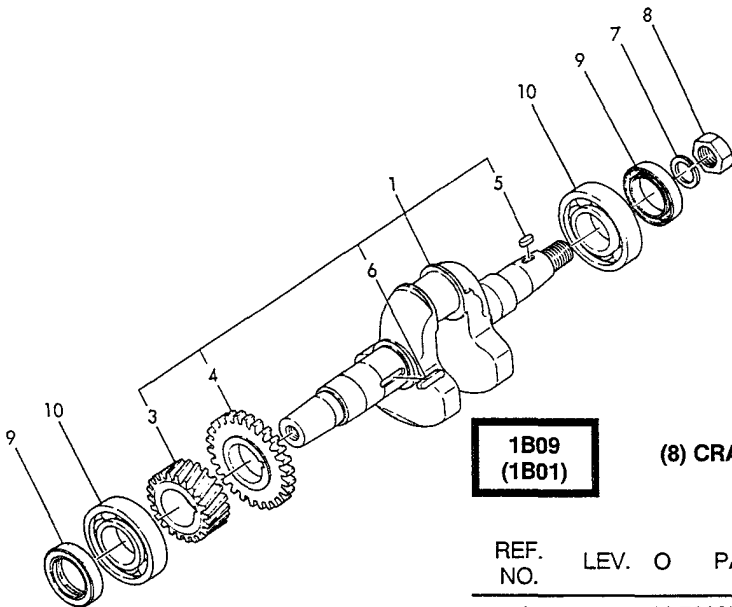
**1B08
(1B01)**

(7) CAMSHAFT

(A) = EG-4300E (D) =
(B) = (E) =
(C) = (F) =

REF. NO.	LEV.	O	PART NO.	DESCRIPTION	Q'TY					
					(A)	(B)	(C)	(D)	(E)	(F)
1	.	Y	160940-14050	CAMSHAFT ASSY	1					
7	..	Y	160810-14550	PIN (B), GUIDE	1					
8	..	Y	160759-14560	SPRING, DECOMP.	2					
11	.	Y	160910-14200	TAPPET	2					

8 CRANKSHAFT & MAIN BEARING



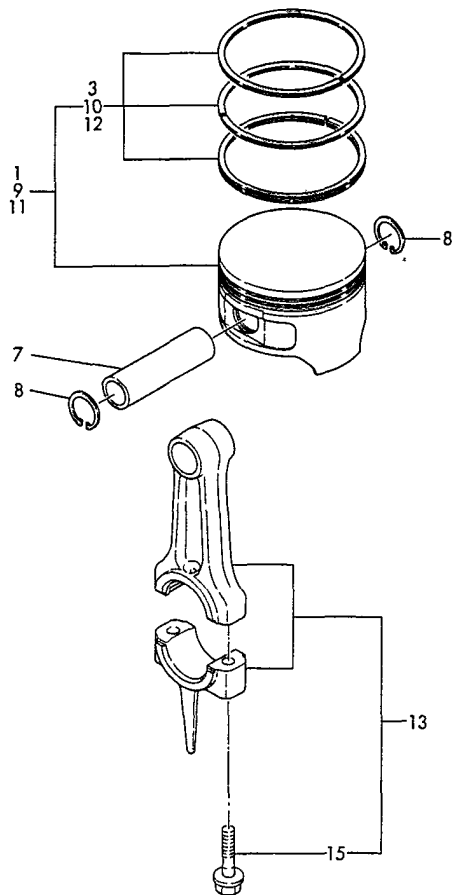
**1B09
(1B01)**

(8) CRANKSHAFT & MAIN BEARING

(A) = EG-4300E (D) =
(B) = (E) =
(C) = (F) =

REF. NO.	LEV.	O	PART NO.	DESCRIPTION	Q'TY					
					(A)	(B)	(C)	(D)	(E)	(F)
1	.	Y	760970-21700	CRANKSHAFT ASSY	1					
3	..	Y	160910-21200	GEAR, CRANKSHAFT	1					
4	..	Y	160910-21220	GEAR, BALANCER	1					
5	..	Y	160610-21290	KEY 4 X 10	1					
6	..	Y	160810-21290	KEY 4 X 24	1					
7	.	Y	222171-60000	SPRING WASHER 16	1					
8	.	Y	267361-60002	NUT M16	1					
9	.	Y	101220-02220	SEAL, OIL	2					
10	.	Y	241010-62060	BALL BEARING	2					

9 PISTON & CONNECTING ROD



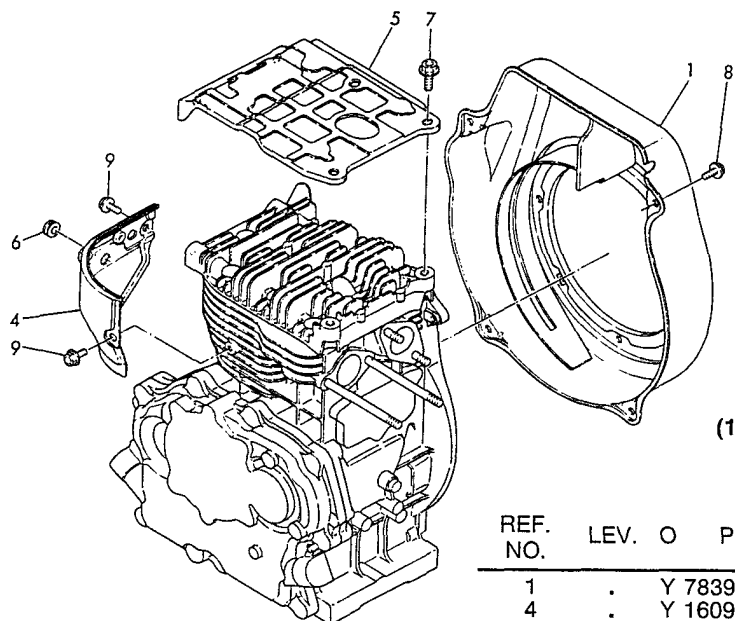
**1B10
(1B01)**

(9) PISTON & CONNECTING ROD

(A) = EG-4300E (D) =
(B) = (E) =
(C) = (F) =

REF. NO.	LEV.	O	PART NO.	DESCRIPTION	Q'TY					
					(A)	(B)	(C)	(D)	(E)	(F)
1	.		Y 160910-22011	PISTON W/RING	1					
3	..		Y 760910-22500	RING SET, PISTON	1					
7	.		Y 160910-22300	PIN, PISTON	1					
8	.		Y 222520-00190	CIRCLIP 19	2					
9	.		Y 160910-22470	PISTON W/RING O.S=0.25	1					
10	..		Y 760910-22540	RING SET O.S=0.25	1					
11	.		Y 160910-22480	PISTON ASSY, O.S=0.5	1					
12	..		Y 760910-22550	RING SET O.S=0.5	1					
13	.		Y 760910-23101	ROD ASSY, CONNECTING	1					
15	..		Y 160810-23201	BOLT, ROD	2					

10 COOLING FAN CASE



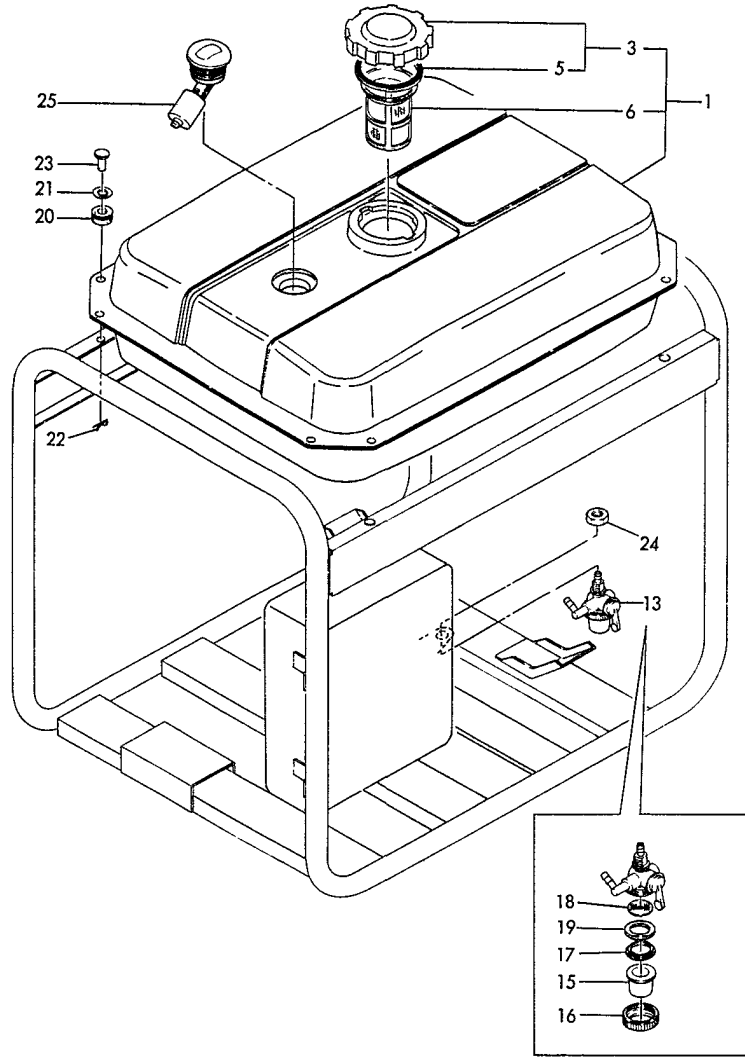
**1B11
(1B01)**

(10) COOLING FAN CASE

(A) = EG-4300E (D) =
(B) = (E) =
(C) = (F) =

REF. NO.	LEV.	O	PART NO.	DESCRIPTION	Q'TY					
					(A)	(B)	(C)	(D)	(E)	(F)
1	.		Y 783920-45601	CASE ASSY, FAN	1					
4	.		Y 160910-45201	COVER, CYLINDER	1					
5	.		Y 160810-45250	COVER	1					
6	.		Y 183720-55190	GROMMET 9	1					
7	.		Y 261060-80202	BOLT M8 X 20 PLATED	2					
8	.		Y 264760-60142	BOLT M6 X 14	4					
9	.		Y 264760-60142	BOLT M6 X 14	2					

11 FUEL TANK



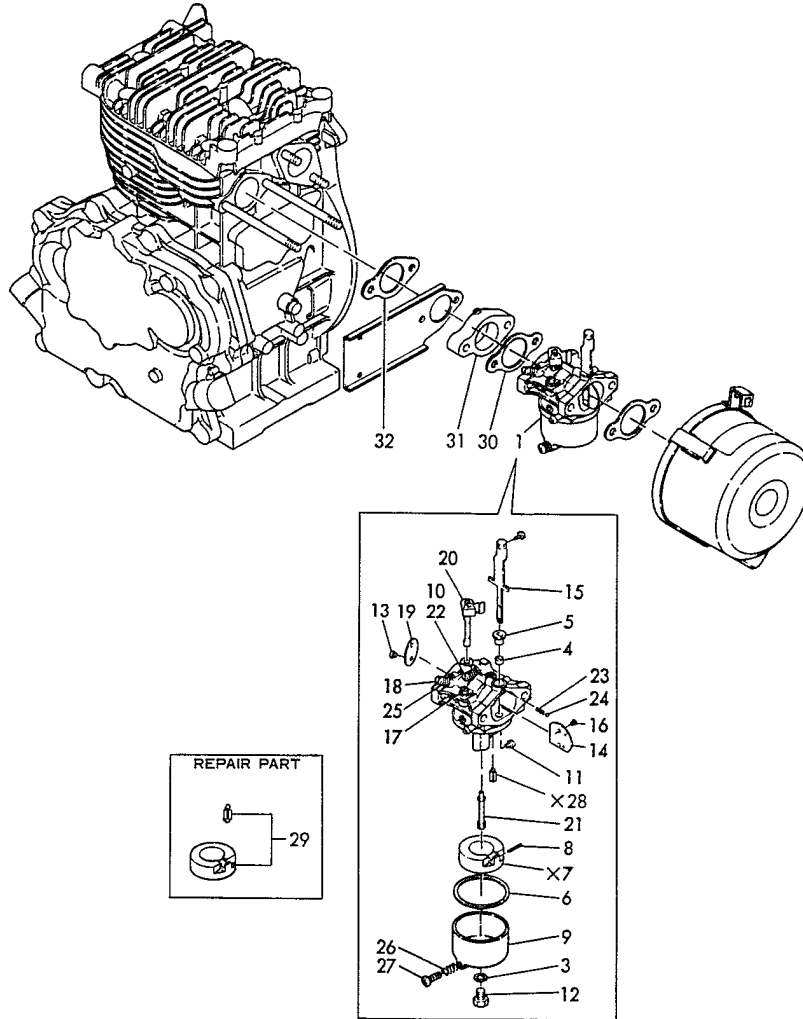
(11) FUEL TANK

(A) = EG-4300E (D) =
 (B) = (E) =
 (C) = (F) =

1B12
(1B01)

REF. NO.	LEV.	O	PART NO.	DESCRIPTION	Q'TY					
					(A)	(B)	(C)	(D)	(E)	(F)
1	.		Y 783920-55721	TANK ASSY, FUEL	1					
3	..		Y 160642-55060	CAP ASSY, FUEL TANK	1					
5	...		Y 160393-55050	GASKET, CAP	1					
6	..		Y 160710-55100	STRAINER, FUEL	1					
13	.		Y 160870-55301	COCK ASSY, FUEL	1					
15	..		Y 160710-55390	BOWL, STRAINER	1					
16	..		Y 160710-55360	RETAINER	1					
17	..		Y 160710-55370	GASKET	1					
18	..		Y 160710-55381	STRAINER, FUEL	1					
19	..		Y 160692-55421	PLATE	1					
20	.		Y 183720-55210	GROMMET, FUEL TANK	4					
21	.		Y 183350-55130	WASHER	4					
22	.		Y 223600-60000	SNAP PIN 6	4					
23	.		Y 183350-55120	PIN 6 X 14	4					
24	.		Y 267771-20002	LOCK NUT M12	1					
25	.		Y 183925-55150	GAUGE, FUEL	1					

12 CARBURETOR



1B13
(1B01)

(12) CARBURETOR

(A) = EG-4300E (D) =
 (B) = (E) =
 (C) = (F) =

12 CARBURETOR

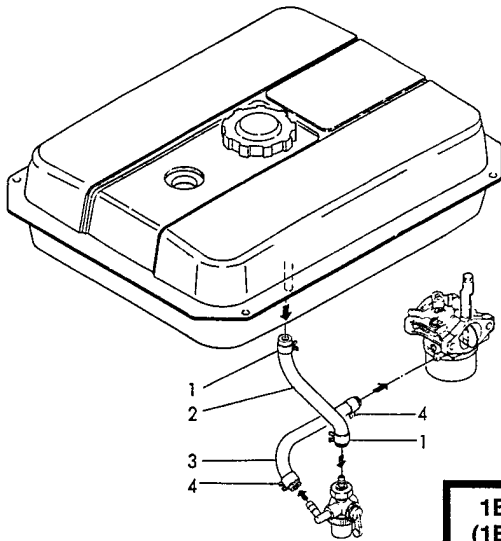
1B13
(1B01)

(12) CARBURETOR

(A) = EG-4300E (D) =
(B) = (E) =
(C) = (F) =

REF. NO.	LEV.	O	PART NO.	DESCRIPTION	Q'TY					
					(A)	(B)	(C)	(D)	(E)	(F)
1	.	Y	160970-56020	CARBURETOR ASSY	1					
3	..	Y	160910-56550	WASHER	1					
4	..	Y	160810-56580	RING, CHOKE SHAFT	1					
5	..	Y	160810-56590	RING, CHOKE LEVER	1					
6	..	Y	160210-56610	GASKET, FLOAT CHAMBER	1					
7	..	Y	160810-56620	FLOAT	1					
8	..	Y	160610-56631	PIN	1					
9	..	Y	160810-56640	BODY, CHAMBER	1					
10	..	Y	181230-56380	SPRING	1					
11	..	Y	160910-56650	JET, MAIN	1					
12	..	Y	160910-56660	BOLT	1					
13	..	Y	160810-56670	SCREW	2					
14	..	Y	160910-56680	VALVE, CHOKE	1					
15	..	Y	*REF. 12=1	LEVER, CHOKE	1					
16	..	Y	160710-56710	SCREW	2					
17	..	Y	160910-56740	JET, PILOT	1					
18	..	Y	160910-56750	SCREW	1					
19	..	Y	160910-56760	VALVE, THROTTLE	1					
20	..	Y	160970-56770	SHAFT ASSY, THROTTLE	1					
21	..	Y	160910-56800	NOZZLE, MAIN	1					
22	..	Y	160910-56850	SCREW	1					
23	..	Y	160310-56980	SPRING, CHOKE	1					
24	..	Y	160310-56990	STEEL BALL	1					
25	..	Y	181230-56380	SPRING	1					
26	..	Y	181230-56380	SPRING	1					
27	..	Y	160610-56900	SCREW	1					
28	..	Y	160910-56730	NEEDLE	1					
29	.	Y	160910-56250	NEEDLE ASSY (RUBBER)	1					
30	.	Y	160910-56150	GASKET, CARBURETOR	1					
31	.	Y	160910-56160	INSULATOR, CARBURETOR	1					
32	.	Y	160910-56170	GASKET, INSULATOR	1					

13 FUEL LINE



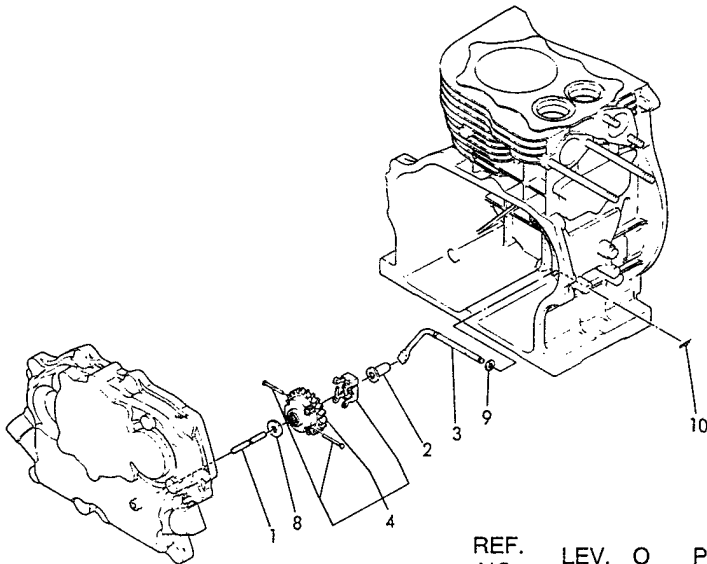
**1B14
(1B01)**

(13) FUEL LINE

(A) = EG-4300E (D) =
(B) = (E) =
(C) = (F) =

REF. NO.	LEV.	O	PART NO.	DESCRIPTION	Q'TY					
					(A)	(B)	(C)	(D)	(E)	(F)
1	.		Y 106990-44660	CLAMP	2					
2	.		Y 160667-59350	PIPE, FUEL	1					
3	.		Y 183720-59610	PIPE, FUEL	1					
4	.		Y 106100-44680	CLAMP	2					

14 GOVERNOR



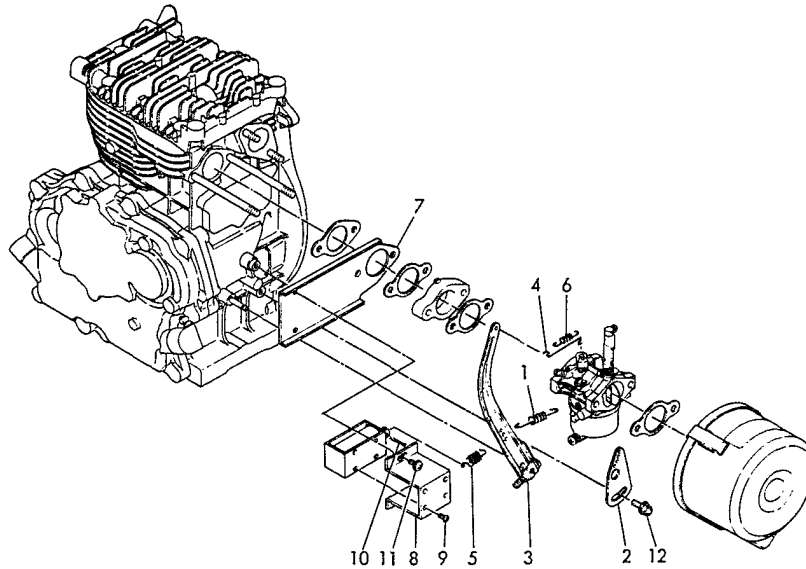
**1B15
(1B01)**

(14) GOVERNOR

(A) = EG-4300E (D) =
(B) = (E) =
(C) = (F) =

REF. NO.	LEV.	O	PART NO.	DESCRIPTION	Q'TY					
					(A)	(B)	(C)	(D)	(E)	(F)
1	.		Y 160610-61100	SHAFT, GOVERNOR	1					
2	.		Y 160610-61300	SPINDLE, GOVERNOR	1					
3	.		Y 160910-61310	SHAFT, SHIFT LEVER	1					
4	.		Y 160610-61600	GEAR ASSY, GOVERNOR	1					
8	.		Y 160720-13730	WASHER	1					
9	.		Y 221370-80000	WASHER 8	1					
10	.		Y 160900-61900	SNAP PIN 8	1					

15 CONTROL DEVICE



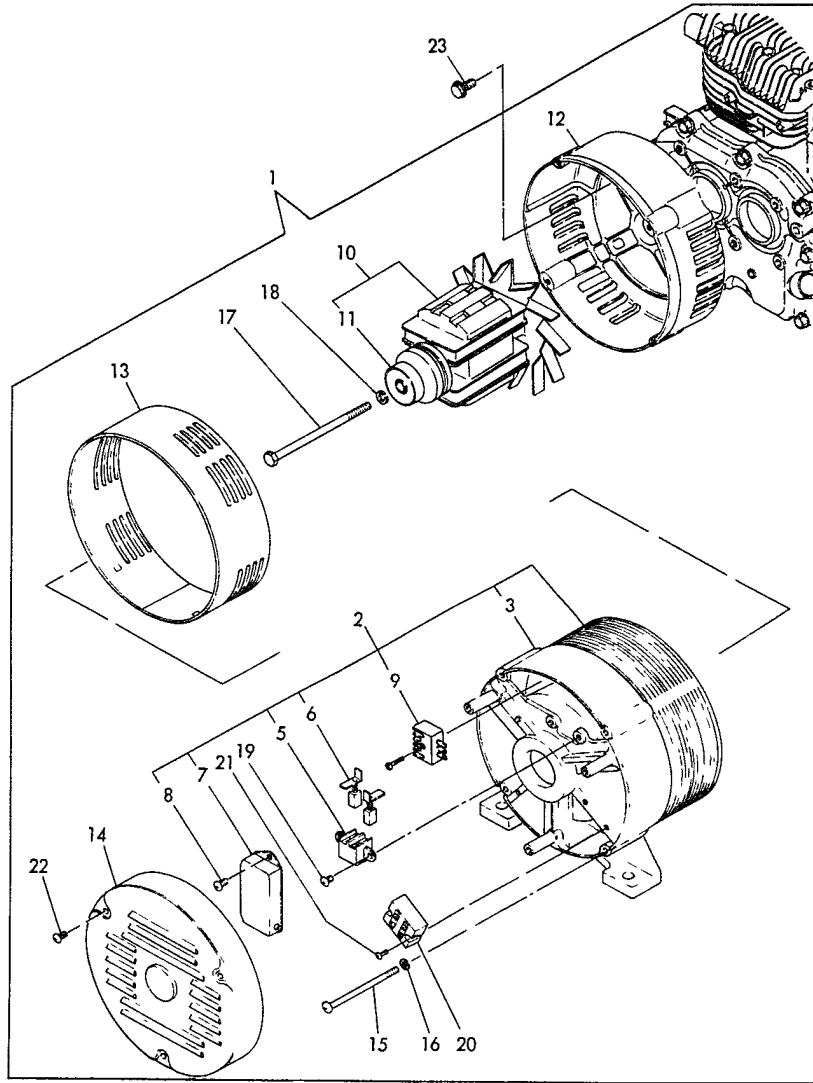
**1B16
(1B01)**

(15) CONTROL DEVICE

(A) = EG-4300E (D) =
 (B) = (E) =
 (C) = (F) =

REF. NO.	LEV.	O	PART NO.	DESCRIPTION	Q'TY					
					(A)	(B)	(C)	(D)	(E)	(F)
1	.	Y	160970-66020	SPRING, REGULATOR	1					
2	.	Y	160970-66120	HANDLE, REGULATOR	1					
3	.	Y	160903-66150	LEVER, GOVERNOR	1					
4	.	Y	160910-66200	LINK, THROTTLE	1					
5	.	Y	160975-66350	SPRING	1					
6	.	Y	160910-66320	SPRING, TENSION	1					
7	.	Y	183101-66330	MOUNT, SOLENOID	1					
8	.	Y	183100-66350	HOLDER, SOLENOID	1					
9	.	Y	183100-66450	SCREW M3 X 4	4					
10	.	Y	224172-50200	PIN 2.5 X 20, COTTER	1					
11	.	Y	260230-50102	SCREW W/WASHER 5 X 10	2					
12	.	Y	264760-60142	BOLT BOLT M6 X 14	1					

16 GENERATOR



1C01
(1B01)

(16) GENERATOR

(A) = EG-4300E (D) =
(B) = (E) =
(C) = (F) =

16 GENERATOR

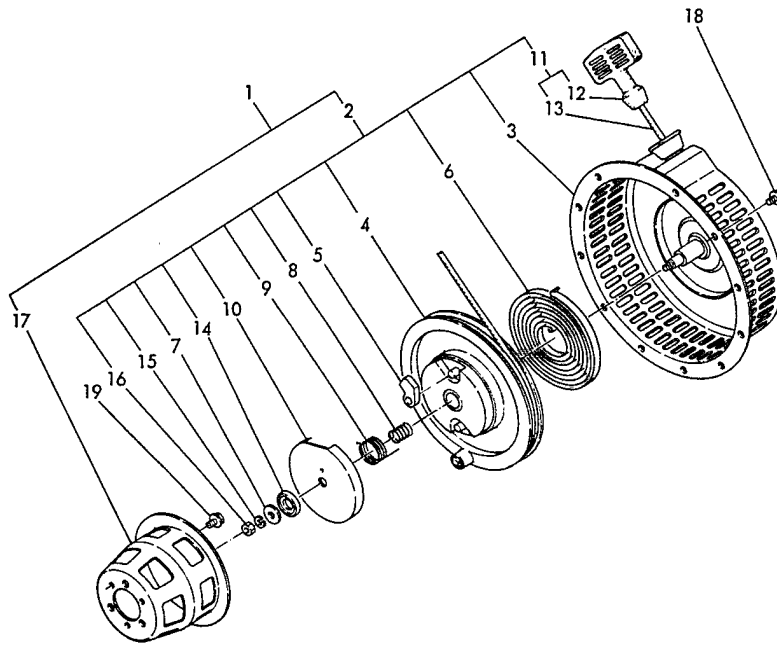
1C01
(1B01)

(16) GENERATOR

(A) = EG-4300E (D) =
(B) = (E) =
(C) = (F) =

REF. NO.	LEV.	O	PART NO.	DESCRIPTION	Q'TY					
					(A)	(B)	(C)	(D)	(E)	(F)
1	.	Y	183920-74070	GENERATOR 3.8KVA	1					
2	..	Y	183925-74220	STATOR ASSY	1					
3	...	Y	183820-74260	WASHER	1					
5	...	Y	183820-74240	HOLDER, BRUSH	1					
6	...	Y	183820-74220	BRUSH ASSY	2					
7	...	Y	183820-74170	A.V.R.	1					
8	...	Y	183350-74380	SCREW M4 X 14	2					
9	...	Y	183210-74470	RECTIFIER	1					
10	..	Y	183920-74350	ROTOR ASSY	1					
11	...	Y	183820-74360	BEARING	1					
12	..	Y	183820-74150	COVER, FRONT	1					
13	..	Y	183820-74140	CLAMP	1					
14	..	Y	183820-74450	COVER, END	1					
15	..	Y	183860-74410	BOLT, THROUGH	4					
16	..	Y	222170-60000	SPRING WASHER	4					
17	..	Y	183920-74430	BOLT, HARD	1					
18	..	Y	222171-00000	SPRING WASHER 10	1					
19	..	Y	183820-74300	SCREW M5 X 16	2					
20	..	Y	183820-74270	TERMINAL	1					
21	..	Y	183820-74300	SCREW M5 X 14	2					
22	..	Y	183520-91290	SCREW M4 X 8	3					
23	.	Y	261060-80202	BOLT M8 X 20	4					

17 STARTING DEVICE



1C02
(1B01)

(17) STARTING DEVICE

(A) = EG-4300E (D) =
(B) = (E) =
(C) = (F) =

17 STARTING DEVICE

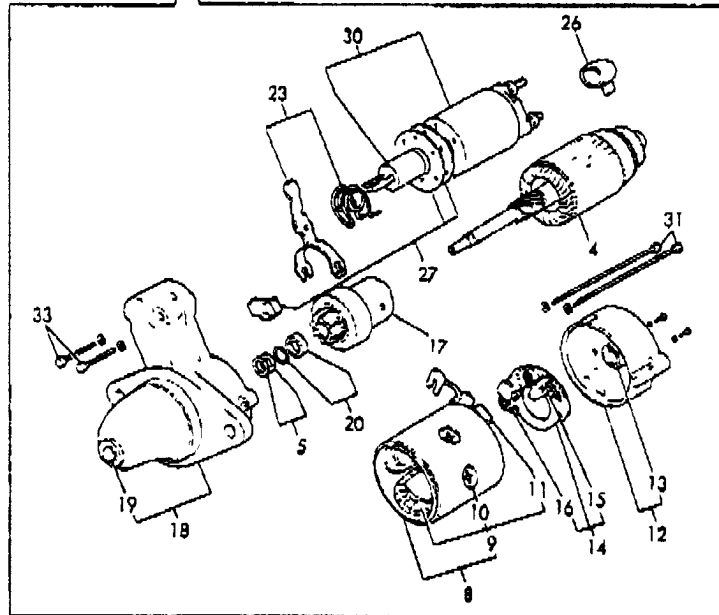
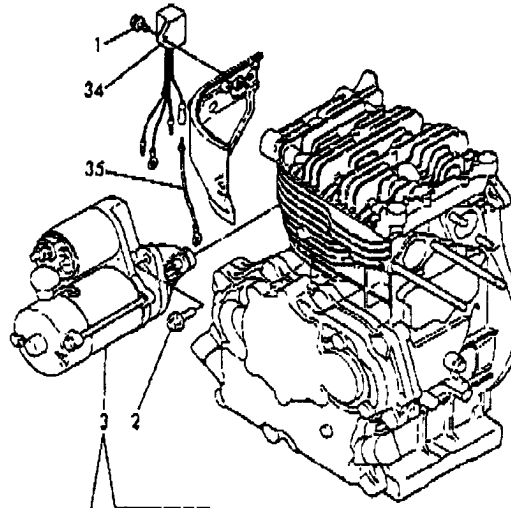
1C02
(1B01)

(17) STARTING DEVICE

(A) = EG-4300E (D) =
(B) = (E) =
(C) = (F) =

REF. NO.	LEV.	O	PART NO.	DESCRIPTION	QTY					
					(A)	(B)	(C)	(D)	(E)	(F)
1	.	Y	160940-76050	STARTER ASSY, RECOIL	1					
2	..	Y	160940-76250	RE-COIL ASSY	1					
3	..	Y	160940-76510	CASE, STARTER	1					
4	...	Y	160910-76520	REEL	1					
5	...	Y	160910-76530	RATCHET	2					
6	...	Y	160910-76540	SPRING, SPIRAL	1					
7	...	Y	160910-76550	WASHER, THRUST	1					
8	...	Y	160910-76560	SPRING, FRICTION	1					
9	...	Y	160940-76570	SPRING, RETURN	1					
10	...	Y	160910-76580	PLATE, FRICTION	1					
11	...	Y	160910-76610	ROPE ASSY, STARTER	1					
12	Y	160910-76620	KNOB, STARTER	1					
13	Y	160910-76630	ROPE, STARTER	1					
14	...	Y	160910-76650	WASHER (B), THRUST	1					
15	...	Y	222170-60000	SPRING WASHER 6	1					
16	...	Y	276160-60002	NUT 6	1					
17	..	Y	160910-76590	PULLEY, STARTER	1					
18	.	Y	261060-60082	BOLT M6 X 8 PLATED	4					
19	.	Y	261060-60122	BOLT M6 X 12 PLATED	3					

18 STARTING MOTOR



1C03
(1B01)

(18) STARTING MOTOR

(A) = EG-4300E (D) =
 (B) = (E) =
 (C) = (F) =

18 STARTING MOTOR

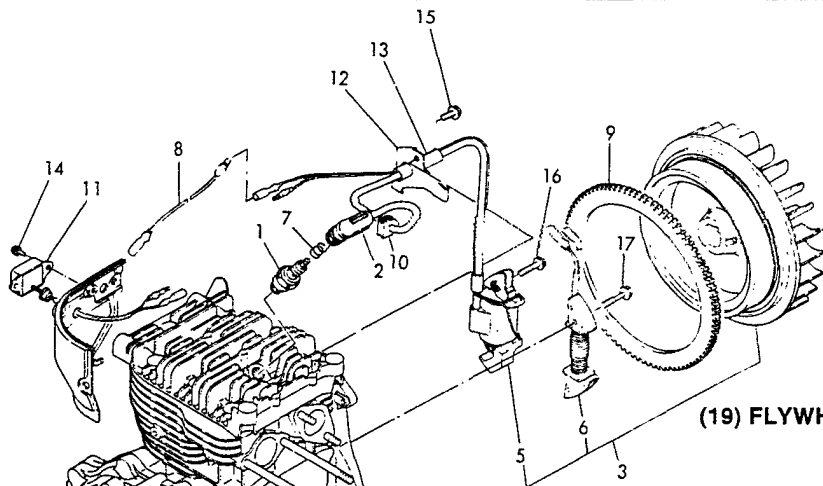
1C03
(1B01)

(18) STARTING MOTOR

(A) = EG-4300E (D) =
(B) = (E) =
(C) = (F) =

REF. NO.	LEV.	O	PART NO.	DESCRIPTION	QTY					
					(A)	(B)	(C)	(D)	(E)	(F)
1	.	Y	261060-60122	BOLT M6 X 12	1					
2	.	Y	261060-80202	BOLT M8 X 20	2					
3	.	Y	160940-77010	STARTING MOTOR	1					
4	..	Y	9.2108910020	ARMATURE ASSY.	1					
5	..	Y	9.2108411500	WASHER KIT, THRUST	1					
8	..		*REF. 18=3	YOKE ASSY	1					
9	...	Y	9.2108922500	COIL ASSY, FIELD	1					
10	Y	9.2108320700	SCREW, POLE CORE	4					
11	Y	9.2108231300	BRUSH (+)	1					
12	..	Y	9.2108330010	COVER ASSY, REAR	1					
13	...	Y	9.2108360100	METAL	1					
14	..	Y	9.2108531200	HOLDER ASSY, BRUSH	1					
15	...	Y	9.2108431500	BRUSH (-)	1					
16	...	Y	9.2114731400	SPRING, BRUSH	2					
17	..	Y	9.2108450020	PINION ASSY.	1					
18	..	Y	9.2108600100	CASE ASSY., GEAR	1					
19	...	Y	9.2108360100	METAL	1					
20	..	Y	9.2114360140	STOPPER SET, PINION	1					
23	..	Y	9.21088610A0	LEVER SET, SHIFT	1					
26	..	Y	9.2108480200	CAP, TERMINAL	1					
27	..	Y	9.21087806A0	COVER SET, DUST	1					
30	..	Y	9.2108482300	SWITCH ASSY, MAGNET	1					
31	..	Y	9.2114680050	THROUGH BOLT	2					
33	..	Y	9.2114586600	BOLT M6 X 32	2					
34	.	Y	160970-77350	RECTIFIER	1					
35	.	Y	160970-77400	WIRE	1					

19 FLYWHEEL



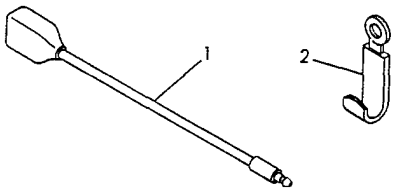
(19) FLYWHEEL

**1C04
(1B01)**

(A) = EG-4300E (D) =
(B) = (E) =
(C) = (F) =

REF. NO.	LEV.	O	PART NO.	DESCRIPTION	Q'TY					
					(A)	(B)	(C)	(D)	(E)	(F)
1	.	Y	160232-78010	PLUG, SPARK	1					
2	.	Y	160700-78040	CAP, PLUG	1					
3	.	Y	160940-78070	FLYWHEEL W/MAGNET	1					
5	..	Y	160840-78510	COIL, IGNITION	1					
6	..	Y	160730-78620	COIL, CHARGE	1					
7	.	Y	160700-78050	TERMINAL, PLUG	1					
8	.	Y	160820-78200	WIRE	1					
9	.	Y	160940-78400	GEAR, RING	1					
10	.	Y	160700-78720	GROMMET	1					
11	.	Y	160810-78650	IGNITER	1					
12	.	Y	160910-78790	CLAMP, WIRE	1					
13	.	Y	160910-78810	TUBE	1					
14	.	Y	260230-50102	SCREW M5 X 10	2					
15	.	Y	264760-60142	BOLT M6 X 14	1					
16	.	Y	264760-60252	BOLT M6 X 25	2					
17	.	Y	264760-60302	BOLT M6 X 30	2					

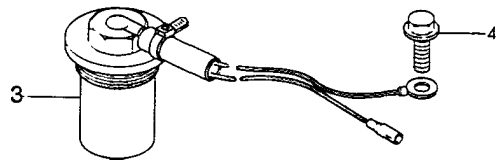
20 OIL SENSOR



**1C05
(1B01)**

(20) OIL SENSOR

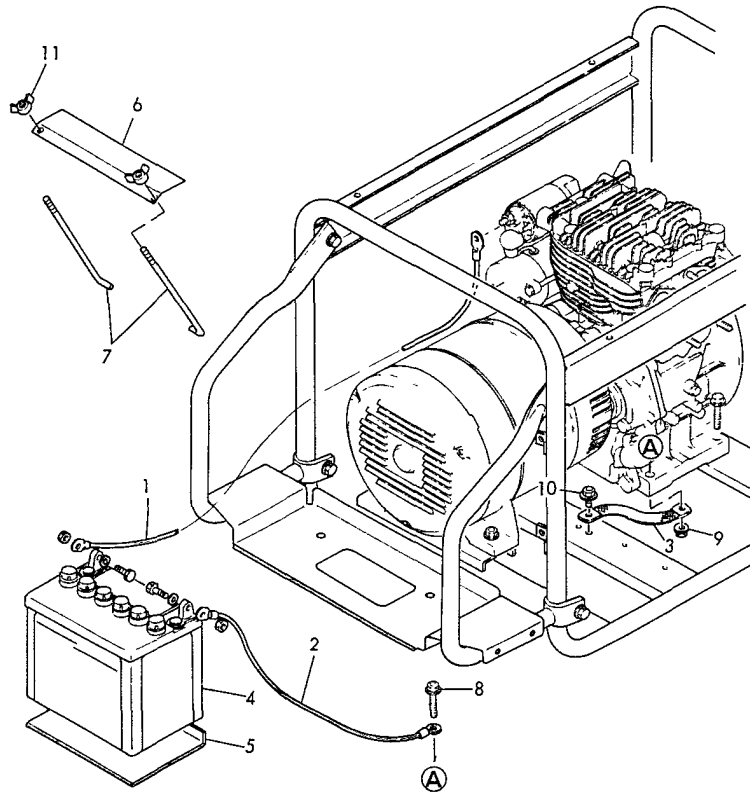
(A) = EG-4300E (D) =
(B) = (E) =
(C) = (F) =



REF. NO.	LEV.	O	PART NO.	DESCRIPTION	Q'TY					
					(A)	(B)	(C)	(D)	(E)	(F)
1	.	Y	160970-78200	WIRE	1					
2	.	Y	160820-78710	CLAMP M8	1					
	.	Y	160975-78800	SENSOR, OIL LEVEL	1					
4	.	Y	261130-60122	BOLT M6 X 12	1					
5	.	Y	160260-78700	CLAMP	1					
6	.	Y	160580-78700	CLAMP	1					



21 BATTERY



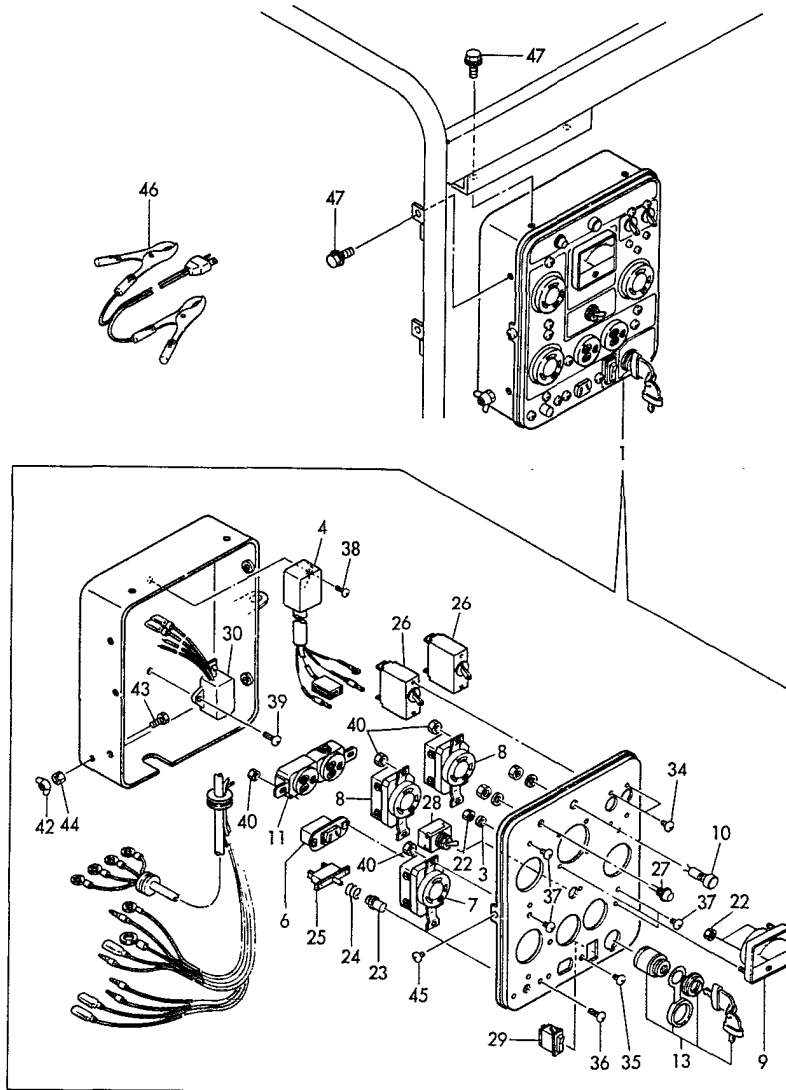
1C06
(1B01)

(21) BATTERY

(A) = EG-4300E (D) =
 (B) = (E) =
 (C) = (F) =

REF. NO.	LEV.	Q	PART NO.	DESCRIPTION	QTY					
					(A)	(B)	(C)	(D)	(E)	(F)
1	.	Y	183920-79550	CABLE (+)	1					
2	.	Y	183920-79560	CABLE (-)	1					
3	.	Y	183925-79560	CABLE(-)	1					
4	.	Y	183350-79620	BATTERY 12V-24AH	1					
5	.	Y	183920-79620	SHEET, BATTERY	1					
6	.	Y	183350-79630	RETAINER, BATTERY	1					
7	.	Y	183920-79650	BOLT, BATTERY	2					
8	.	Y	261060-80302	BOLT M8 X 30	1					
9	.	Y	263660-80002	NUT M8	1					
10	.	Y	264760-60142	BOLT M6 X 14	1					
11	.	Y	266350-60002	WING NUT M6	2					

22 PANEL



1C07
(1B01)

(22) PANEL

(A) = EG-4300E (D) =
(B) = (E) =
(C) = (F) =

22 PANEL

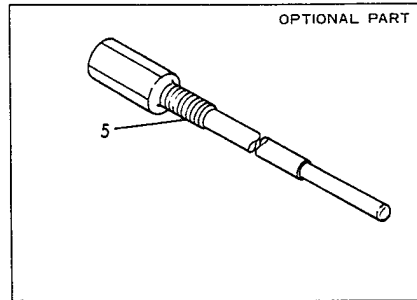
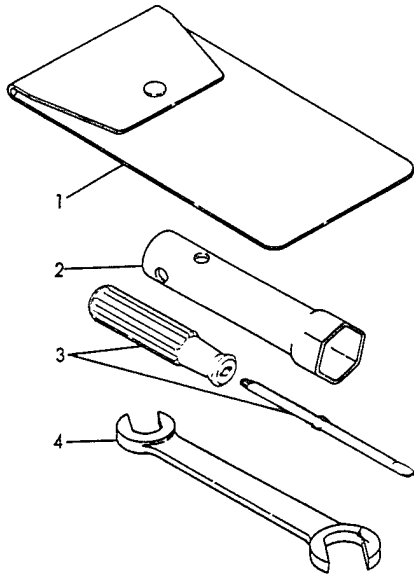
1C07
(1B01)

(22) PANEL

(A) = EG-4300E (D) =
(B) = (E) =
(C) = (F) =

REF. NO.	LEV.	O	PART NO.	DESCRIPTION	Q'TY					
					(A)	(B)	(C)	(D)	(E)	(F)
1	.	Y	183925-91060	BOX ASSY, PANEL	1					
3	...	Y	160664-14570	WASHER, DECOMP.	1					
4	...	Y	160870-78810	SENSOR UNIT, OIL	1					
6	...	Y	183825-91250	DC CONNECT	1					
7	...	Y	183660-91260	CONNECT	1					
8	...	Y	183660-91270	CONNECT	2					
9	.	Y	183820-91270	VOLTAGE METER (300V)	1					
10	...	Y	183820-91310	LAMP, PILOT	1					
11	...	Y	183920-91320	AC CONNECT	1					
13	...	Y	183920-91450	SWITCH ASSY, KEY	1					
22	...	Y	183925-91990	NUT M3	4					
23	...	Y	183000-96310	CAP, BREAKER	1					
24	...	Y	183000-96320	SPRING	1					
25	...	Y	183000-96330	BREAKER	1					
26	...	Y	183000-96400	AC BREAKER	2					
27	...	Y	183000-97130	ALERT LAMP, OIL	1					
28	...	Y	183000-97420	SWITCH	1					
29	...	Y	183000-97440	SWITCH	1					
30	...	Y	183000-97900	UNIT, SLOW-DOWN	1					
34	...	Y	265570-30062	SCREW 3 X 6	4					
35	...	Y	265570-30062	SCREW 3 X 6	2					
36	...	Y	265570-30122	SCREW 3 X 12	2					
37	...	Y	265570-40062	SCREW 4 X 6	8					
38	...	Y	265570-50102	SCREW 5 X 10	1					
39	...	Y	265570-50102	SCREW 5 X 10	1					
40	..	Y	267570-40002	NUT M4	8					
42	.	Y	183621-08810	WING NUT M6	1					
43	...	Y	261130-60162	BOLT M6 X 16	1					
44	...	Y	267530-60002	NUT M6	1					
45	..	Y	265570-40062	SCREW 4 X 6	3					
46	.	Y	183210-91880	CABLE, CHARGE	1					
47	.	Y	261060-60082	BOLT M6 X 8	4					

23 TOOL



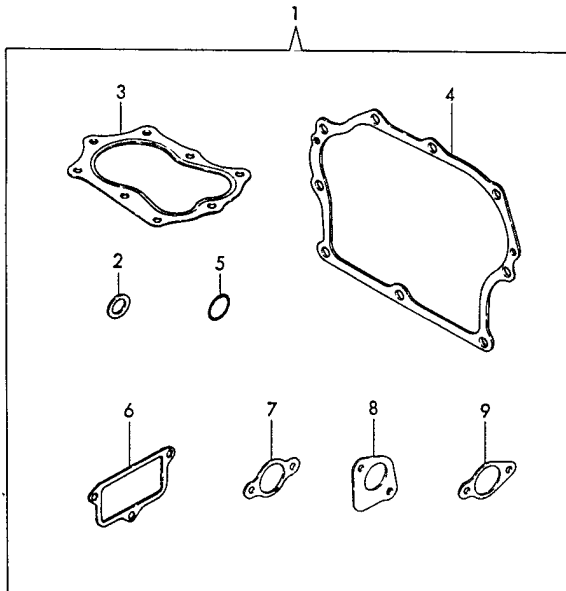
**1C08
(1B01)**

(23) TOOL

(A) = EG-4300E (D) =
(B) = (E) =
(C) = (F) =

REF. NO.	LEV.	O	PART NO.	DESCRIPTION	Q'TY					
					(A)	(B)	(C)	(D)	(E)	(F)
1	.	Y	160110-92610	BAG, TOOL	1					
2	.	Y	160120-92700	WRENCH, BOX	1					
3	.	Y	160330-92730	SCREWDRIVER	1					
4	.	Y	281101-00120	WRENCH 10 X 12	1					
5	.	Y	183920-92350	REMOVER, ROTOR	1					

24 GASKET SET (OPTIONAL)



**1C09
(1B01)**

(24) GASKET SET (OPTIONAL)

(A) = EG-4300E (D) =
(B) = (E) =
(C) = (F) =

REF. NO.	LEV.	O	PART NO.	DESCRIPTION	Q'TY					
					(A)	(B)	(C)	(D)	(E)	(F)
1	.	Y	783920-92600	GASKET SET	1					
2	..	Y	104200-59170	GASKET 12	1					
3	..	Y	160910-01330	GASKET, CYL. HEAD	1					
4	..	Y	160910-01410	GASKET, CRANKCASE	1					
5	..	Y	243110-00180	O-RING 1A P-18.0	1					
6	..	Y	160810-03070	GASKET, BREATHER	1					
7	..	Y	160910-56150	GASKET, CARBURETOR	3					
8	..	Y	160910-13200	GASKET, MUFFLER	1					
9	..	Y	160910-56170	GASKET, INSULATOR	1					