

PB-403T Power Blower

Soplador de Mochila
44cc

S/N: 03001001 - 03999999

Optional Attachments & Accessories
Accessories

Accesorios & Accesorios Opcionales
Accesorios

Rain Gutter Kit	99944100010	Kit de Canales de Lluvia
Tube Loop Handle	99944100020	Mango de Tubo
PB_ES Shoulder Strap	99944100030	Correa para el Hombro (PB_ES)
Vacuum Attachment	PBAV-4600	Aditamento de Vacío

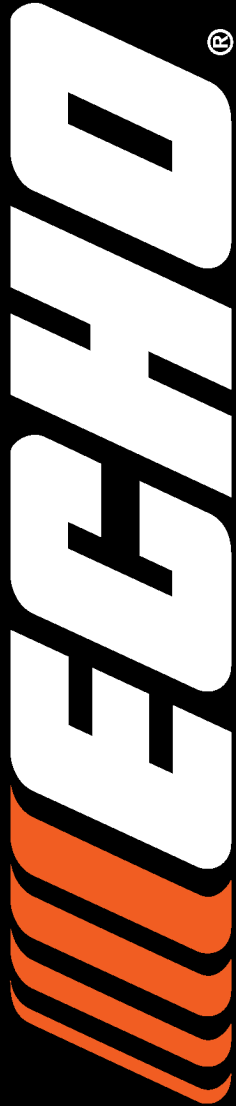
The ECHO logo is displayed vertically on a black background. The word "ECHO" is written in a large, bold, white, sans-serif font. Below the letters, there are several horizontal, slightly curved lines in orange and white, creating a stylized, dynamic effect. A small registered trademark symbol (®) is located to the right of the top of the "O".

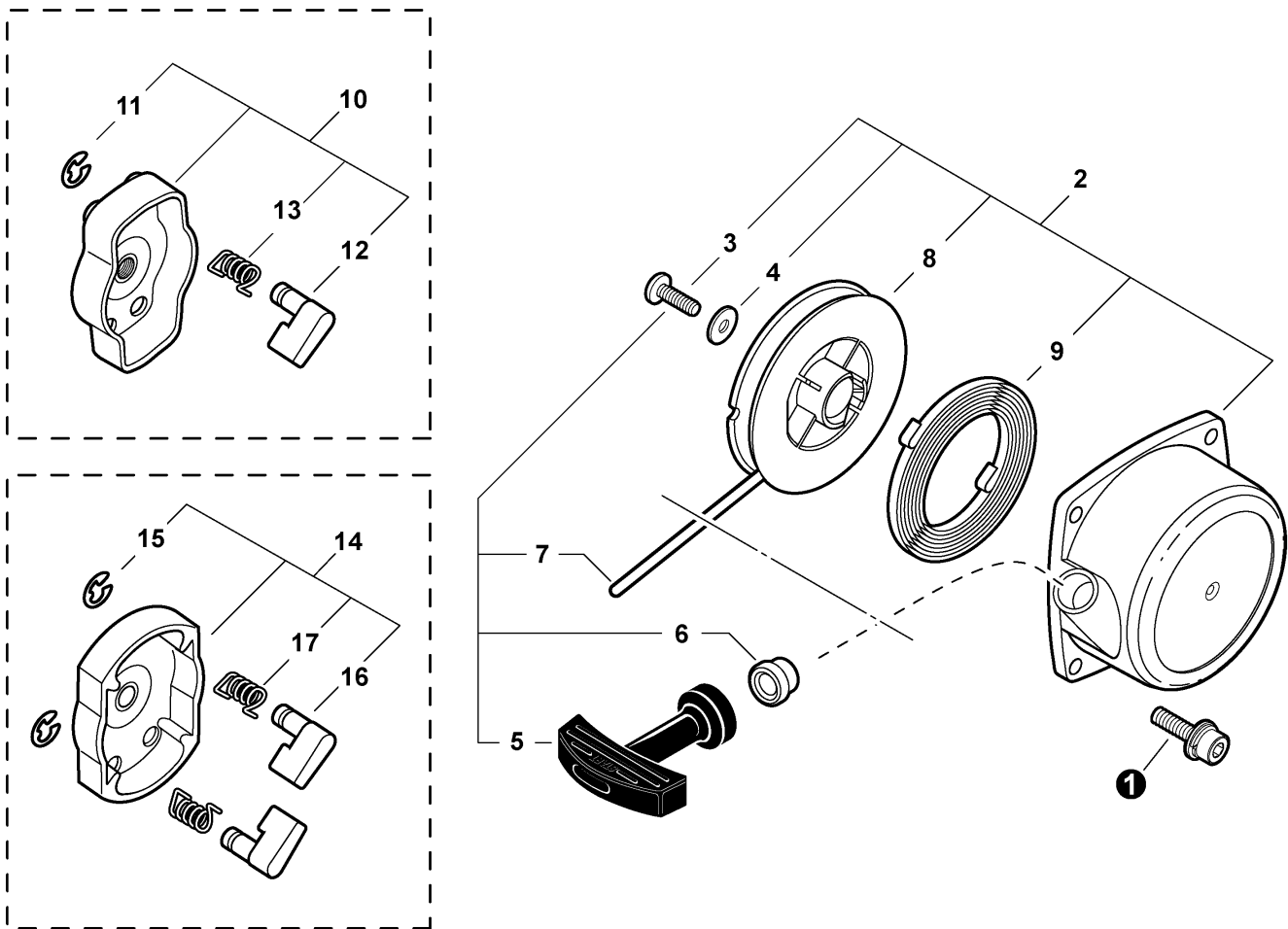
TABLE OF CONTENTS - CONTENIDO

Click Any Diagram Description Below To View That Diagram
Chasque cualquier descripción del diagrama abajo para ver ese diagrama

Starter	3
Arrancador	
Intake, Cylinder Cover	4
Admisión, Cubierta del Cilindro	
Carburetor -- C1M-K37D	5
Carburador -- C1M-K37D	
Exhaust	7
Escape	
Ignition	8
Ignición	
Engine, Short Block -- SB1057	9
Motor, Bloque Corto -- SB1057	
Tube Mount Throttle	10
Acelerador, Sujeto al Tubo	
Fan Case, Blower Fan, Engine Cover	12
Carcasa del Ventilador, Ventilador de Sopladora, Cubierta del Motor	
Fuel System	13
Sistema de Combustible	
Backpack Frame, Harness	14
Armazón de Mochila, Arnés	
Blower Tubes	15
Tubos de Soplador	
Labels	16
Etiquetas	
Gasket Kit -- P021009660	17
Kit de juntas -- P021009660	
RePower Tune-Up Kit	18
Kit RePower de Puesta a Punto	
Part Number Index	19
Índice Del Número De Parte	



NOTES -- NOTAS

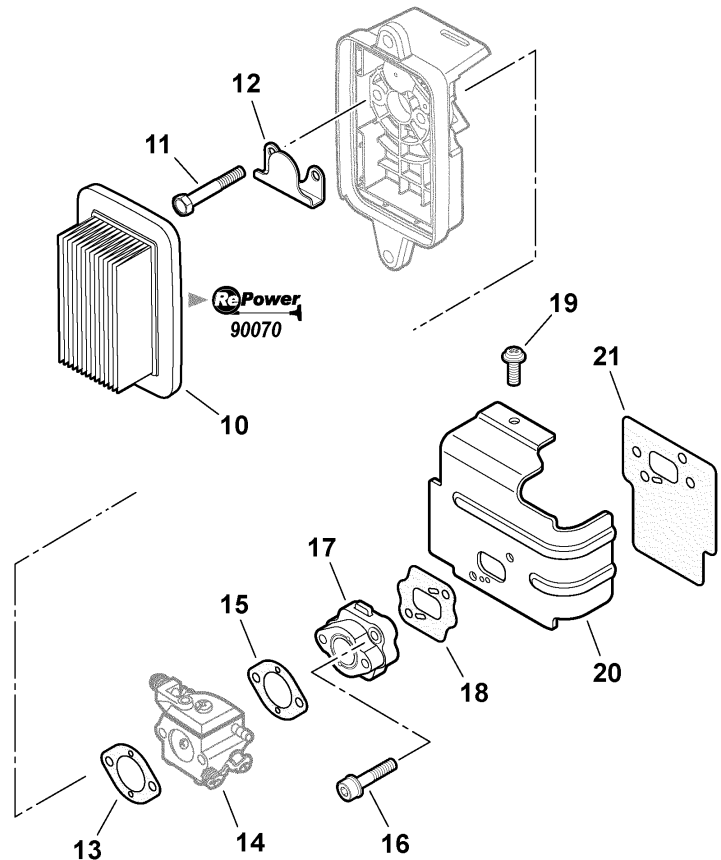
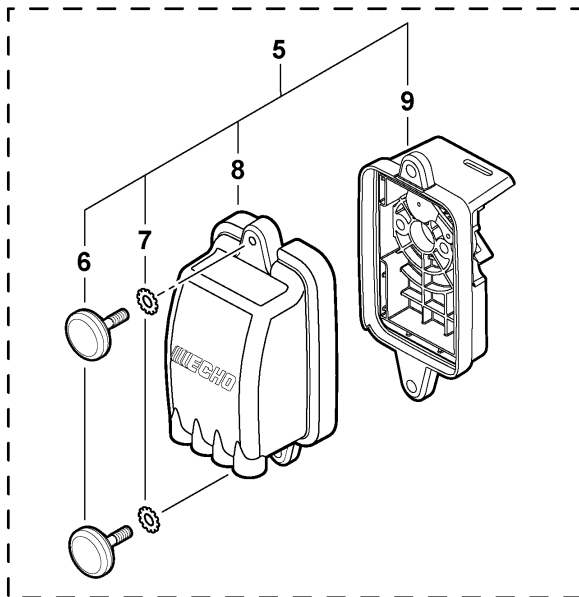
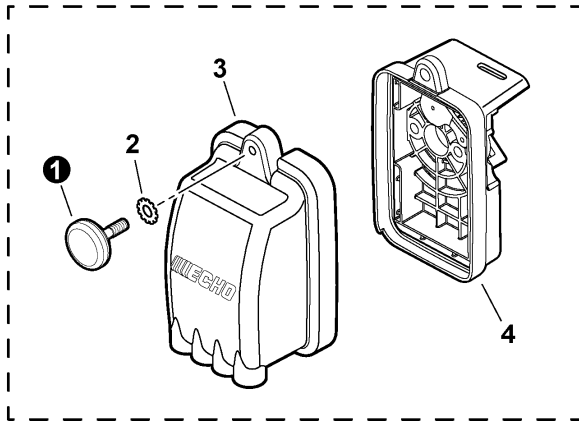


004 0010 000

①	90016304018	4	SCREW - 4X18	TORNILLO - 4X18
2	+ 17720008260	1	STARTER ASSY	CONJUNTO DE ARRANCADOR
3	+ 17723640630	1	SCREW	TORNILLO
4	+ 17721440630	1	WASHER	ARANDELA
5	+ 17722801110	1	GRIP, STARTER	AGARRE, ARRANCADOR
6	+ 17722742030	1	GUIDE, ROPE	GUÍA, CUERDA
7	+ 17722611120	1	ROPE, STARTER - 4X1110 ⁽¹⁾	ROPE, STARTER - 4X1110 ⁽¹⁾
8	+ 17721511120	1	REEL, ROPE	CARRETE, CUERDA
9	+ 17722011120	1	SPRING, REWIND	RESORTE, REBOBINADO
10	17720206210	1	STARTER PAWL ASSY	CONJUNTO DE TRINQUETE DEL ARRANCADOR
11	+ 90070000004	1	RING, RETAINING - 4	ANILLO, RETÉN - 4
12	+ 17721840630	1	PAWL, STARTER	TRINQUETE, ARRANCADOR
13	+ 17723440630	1	SPRING, RETURN	RESORTE, RETORNO
14	A052000042	1	STARTER PAWL ASSY ⁽²⁾	CONJUNTO DE TRINQUETE DEL ARRANCADOR ⁽²⁾
15	+ P022002100	2	RING, RETAINING - 4	ANILLO, RETÉN - 4
16	+ P022003120	2	PAWL, STARTER	TRINQUETE, ARRANCADOR
17	+ P022003130	2	SPRING, RETURN	RESORTE, RETORNO

(FOOTNOTE) 1 - RePower BULK OPTION: 99944440000
2 - OPTIONAL

(NOTA DEL PIE) 1 - OPCIÓN A GRANEL de la RePower: 99944440000
2 - OPCIONAL

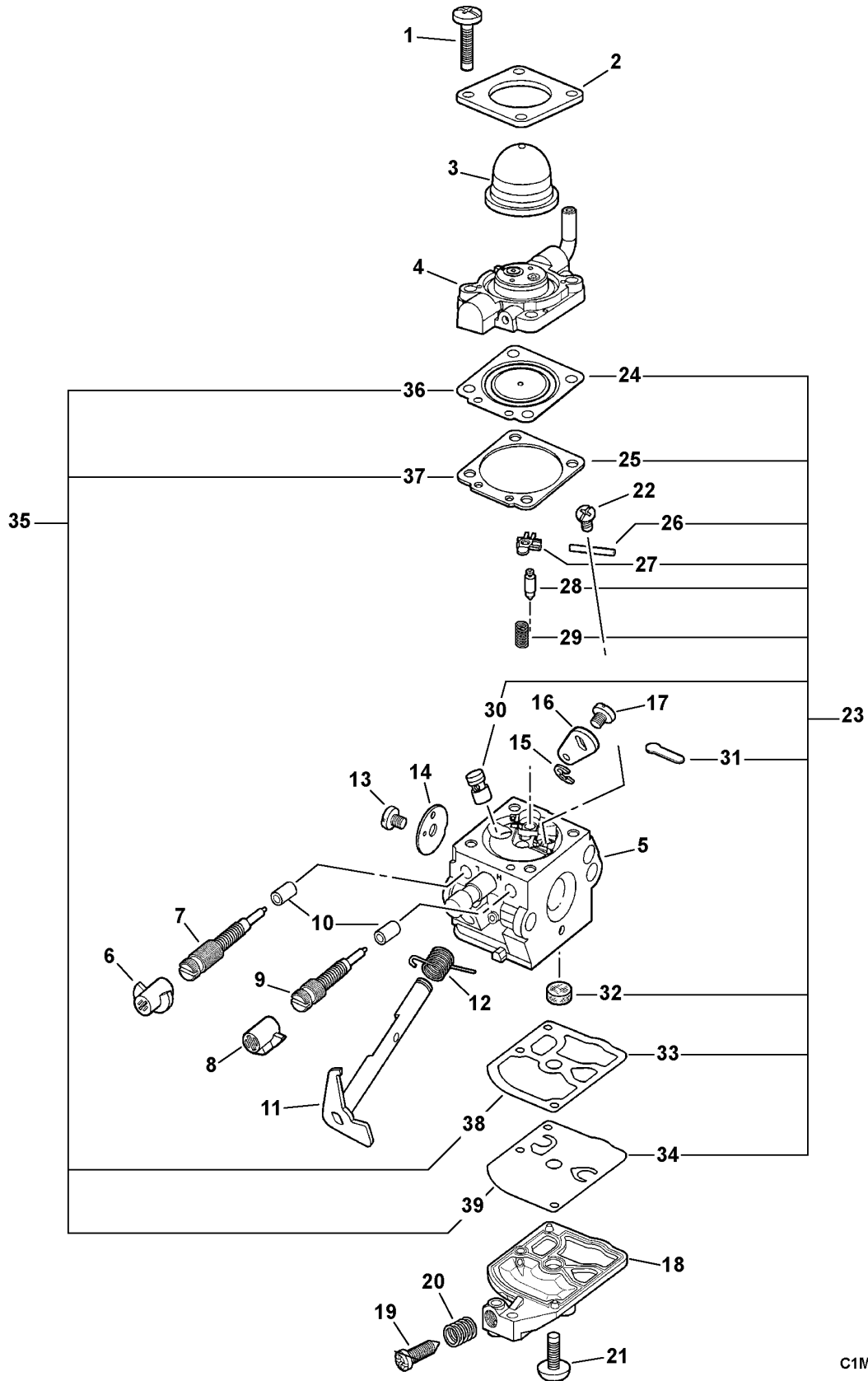
Soplador de Mochila
**Intake, Cylinder Cover
Admisión, Cubierta del Cilindro**


005 0032 00C

①	V299000290	1	THUMBSCREW	TORNILLO, DE OREJETAS
2	V340000210	1	LOCKWASHER	ARANDELA DE PRESIÓN
3	-----	1	COVER, AIR FILTER	CUBIERTA, FILTRO DE AIRE
4	-----	1	AIR CLEANER CASE ASSY	CONJUNTO DE CARCASA DEL FILTRO DE AIRE
5	P021014430	1	AIR CLEANER KIT	KIT DE FILTRO DE AIRE
6	+ V299000290	2	THUMBSCREW	TORNILLO, DE OREJETAS
7	+ V340000210	2	LOCKWASHER	ARANDELA DE PRESIÓN
8	+ A232000081	1	COVER, AIR FILTER	CUBIERTA, FILTRO DE AIRE
9	+ P021002522	1	AIR CLEANER CASE ASSY	CONJUNTO DE CARCASA DEL FILTRO DE AIRE
10	A226000032	1	FILTER, AIR ⁽¹⁾	FILTRO DE AIRE ⁽¹⁾
11	90010505060	2	SCREW - 5X60	TORNILLO - 5X60
12	A244000020	1	PLATE, PREVENT	PLACA, PRE-RESPIRADERO
13	13001603731	1	GASKET, INTAKE ⁽²⁾	JUNTA, ADMISIÓN ⁽²⁾
14	-----	1	CARBURETOR ⁽³⁾	CARBURADOR ⁽³⁾
15	13001606434	1	GASKET, INTAKE ⁽²⁾	JUNTA, ADMISIÓN ⁽²⁾
16	13000708261	1	INSULATOR, INTAKE	ADMISIÓN, ADMISIÓN
17	90016205025	2	SCREW - 5X25	TORNILLO - 5X25
18	V103000000	1	GASKET, INTAKE ⁽²⁾	JUNTA, ADMISIÓN ⁽²⁾
19	10151408260	1	COVER, CYLINDER - INTAKE	CUBIERTA, CILINDRO - ADMISIÓN
20	90023805010	1	SCREW - 5X10	TORNILLO - 5X10
21	13001606211	1	SHIELD, INTAKE ⁽²⁾	PROTECTOR, ADMISIÓN ⁽²⁾
22	90070		RePower TUNE-UP KIT	KIT DE PUESTA A PUNTO

(FOOTNOTE) 1 - Included In RePower KIT
2 - Included In GASKET KIT
3 - See Carburetor Diagram For Details

(NOTA DEL PIE) 1 - Includido en KIT de la RePower
2 - Includido en KIT de la JUNTA
3 - Vea el diagrama del carburador para los detalles

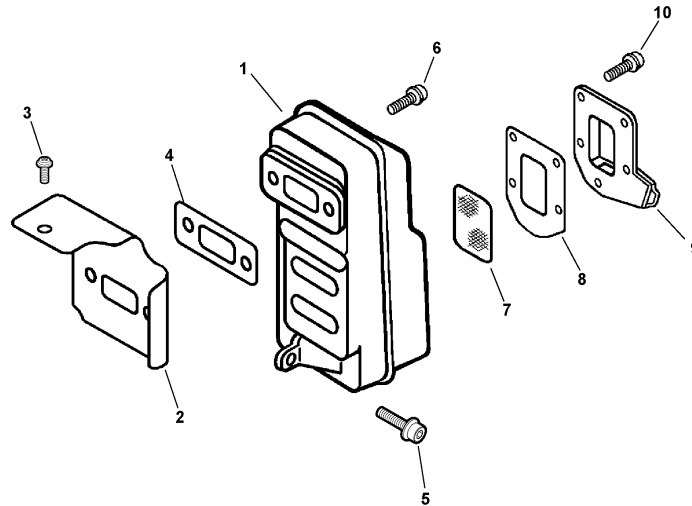


C1MK37D 0000 000

	12520008563	1	CARBURETOR -- C1M-K37D	CARBURADOR -- C1M-K37D
①	+ P005000980	4	SCREW, PURGE BULB RETAINER	TORNILLO, RETÉN DEL BULBO DE LA PURGA
2	+ P005000620	1	RETAINER, PURGE BULB	RETÉN, BULBO DE LA PURGA
3	+ 12538108660	1	BULB, PURGE	BULBO, PURGA
4	+ P005000610	1	BASE, PURGE	BASE, PURGA
5	+ -----	1	BODY, CARBURETOR ⁽¹⁾	CUERPO, CARBURADOR ⁽¹⁾
6	+ 12532909860	1	CAP, LIMITER	TAPA, LIMITADOR
7	+ P005000430	1	NEEDLE - LOW SPEED	AGUJA - BAJA VELOCIDAD
8	+ 12532908560	1	CAP, LIMITER	TAPA, LIMITADOR
9	+ P005000420	1	NEEDLE - HIGH SPEED	AGUJA - ALTA VELOCIDAD
10	+ 12536312820	2	RETAINER	RETÉN
11	+ 12531708360	1	SHAFT, THROTTLE	EJE, ACELERADOR
12	+ 12531308360	1	SPRING, TRIGGER	RESORTE, GATILLO
13	+ 12531451230	1	SCREW, VALVE	TORNILLO, VÁLVULA
14	+ 12531608560	1	VALVE, THROTTLE	VÁLVULA, ACELERADOR
15	+ 12532713930	1	RING, RETAINING	ANILLO, RETÉN
16	+ 12535008360	1	LEVER, THROTTLE	PALANCA, ACELERADOR
17	+ 12534813930	1	SCREW	TORNILLO
18	+ 12532408360	1	COVER, FUEL PUMP	CUBIERTA, BOMBA DE COMBUSTIBLE
19	+ 12534408560	1	SCREW, IDLE ADJUST	TORNILLO, AJUSTE DE RALENTÍ
20	+ 12533308560	1	SPRING, IDLE ADJUST	RESORTE, AJUSTE DEL MÍNIMO/RALENTÍ
21	+ 12531013930	1	SCREW, PUMP COVER	TORNILLO, CUBIERTA DE LA BOMBA
22	+ 12533913930	1	SCREW, METERING LEVER PIN	TORNILLO, PASADOR DE RETÉN
23	+ 12530008560	1	REPAIR KIT	KIT DE REPARACIÓN
24	+ -----	1	DIAPHRAGM, METERING	DIAPHRAGMA, DOSIFICACIÓN
25	+ -----	1	GASKET, METERING	JUNTA, DOSIFICACIÓN
26	+ -----	1	PIN, METERING LEVER	PASADOR, PALANCA DE DOSIFICACIÓN
27	+ -----	1	LEVER, METERING	PALANCA, DOSIFICACIÓN
28	+ -----	1	VALVE, INLET NEEDLE	VÁLVULA DE AGUJA, ADMISIÓN
29	+ -----	1	SPRING, METERING LEVER	RESORTE, PALANCA DE DOSIFICACIÓN
30	+ -----	1	NOZZLE, CHECK VALVE	BOQUILLA, VÁLVULA DE RETENCIÓN
31	+ -----	1	PLUG, WELCH	TAPÓN, WELCH
32	+ -----	1	STRAINER	TAMIZ
33	+ -----	1	DIAPHRAGM, PUMP	DIAPHRAGMA, BOMBA
34	+ -----	1	GASKET, PUMP	JUNTA, BOMBA
35	+ 12530308360	1	DIAPHRAGM/GASKET KIT	KIT DE DIAFRAGMA/JUNTA
36	+ -----	1	DIAPHRAGM, METERING	DIAPHRAGMA, DOSIFICACIÓN
37	+ -----	1	GASKET, METERING	JUNTA, DOSIFICACIÓN
38	+ -----	1	DIAPHRAGM, PUMP	DIAPHRAGMA, BOMBA
39	+ -----	1	GASKET, PUMP	JUNTA, BOMBA

(FOOTNOTE) 1 - NOT AVAILABLE SEPARATELY

(NOTA DEL PIE) 1 - NO DISPONIBLE POR SEPARADO

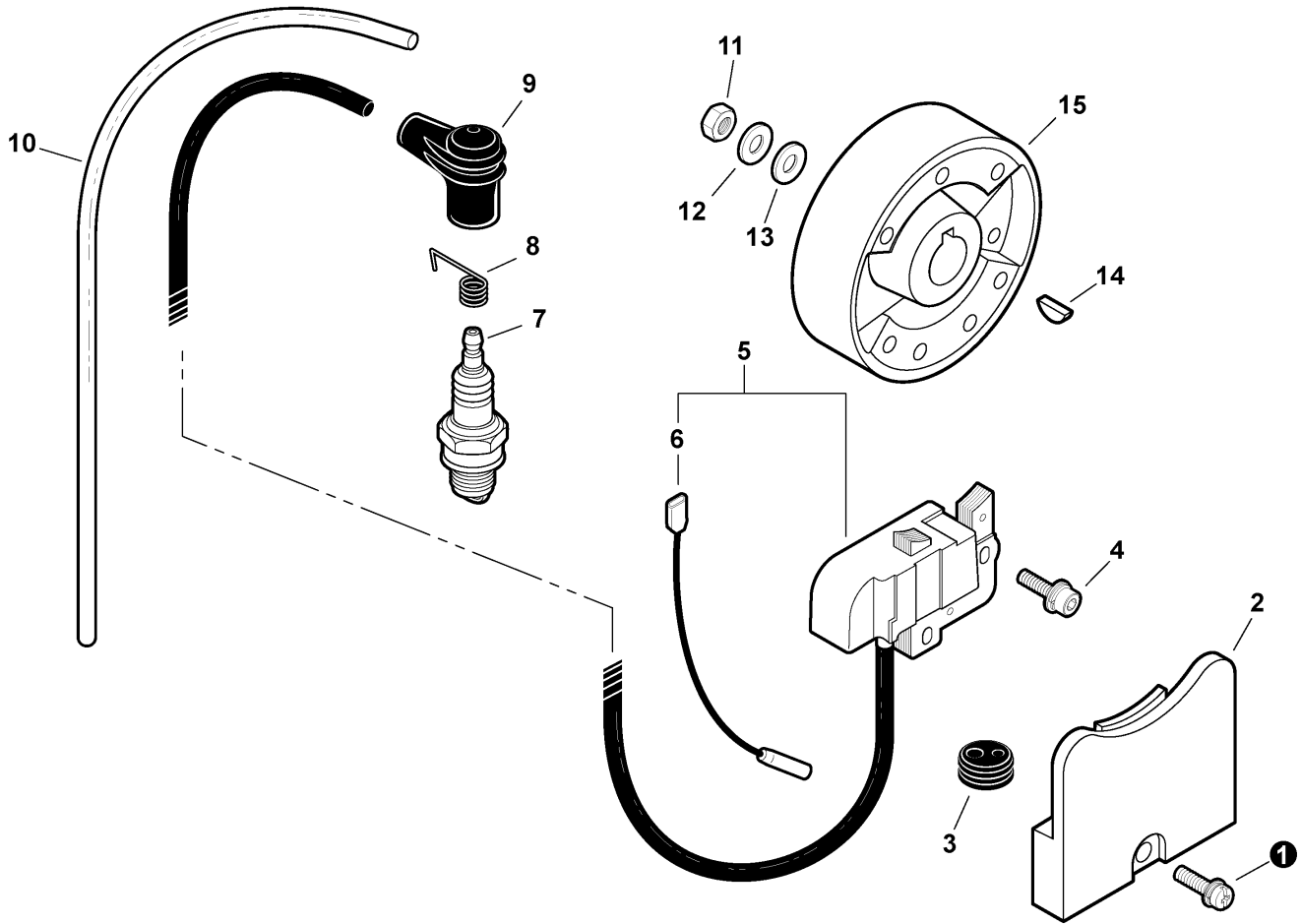


006 0016 000

1	A300000210	1	MUFFLER	SILENCIADOR
2	A160000290	1	COVER, CYLINDER - EXHAUST	CUBIERTA, CILINDRO - ESCAPE
3	90023805010	1	SCREW - 5X10	TORNILLO - 5X10
4	14551006210	2	GASKET, EXHAUST ⁽¹⁾	JUNTA, ESCAPE ⁽¹⁾
5	90016205020	1	SCREW - 5X20	TORNILLO - 5X20
6	90010506020	2	SCREW - 6X20	TORNILLO - 6X20
7	14586221260	1	SCREEN, SPARK ARRESTER	PANTALLA, SUPRESOR DE CHISPAS
8	14586621360	1	GASKET, EXHAUST ⁽¹⁾	JUNTA, ESCAPE ⁽¹⁾
9	A303000030	1	GUIDE, EXHAUST	GUÍA, ESCAPE
10	V252000010	4	SCREW - 4X10	TORNILLO - 4X10

(FOOTNOTE) 1 - Included In GASKET KIT

(NOTA DEL PIE) 1 - Incluido en KIT de la JUNTA

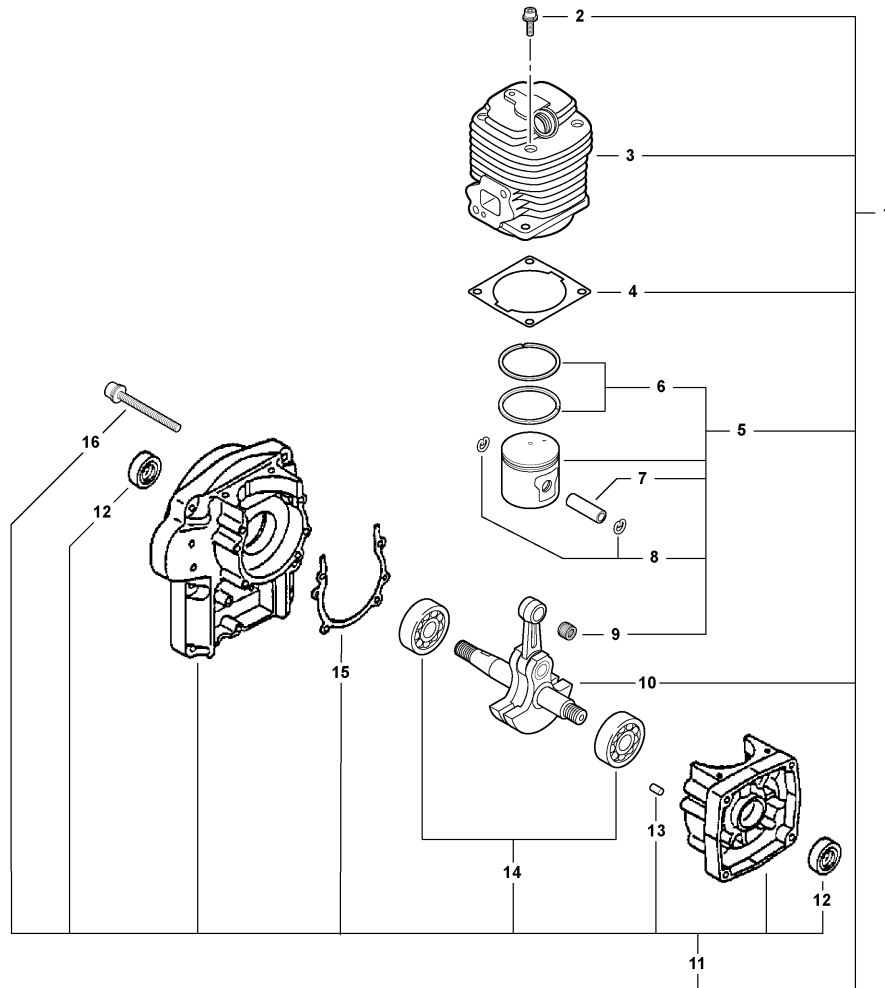


007 0011 000

①	90023805018	1	SCREW - 5X18	TORNILLO - 5X18
2	15912908261	1	COVER, DUST	CUBIERTA, ANTIPOLVO
3	15111204630	1	GROMMET	ANILLO DE GOMA
4	90023805018	2	SCREW - 5X18	TORNILLO - 5X18
5	15660109861	1	COIL, IGNITION	BOBINA, IGNICIÓN
6	+ 16202108260	1	LEAD - IGNITION	CABLE - IGNICIÓN
7	15901019830	1	SPARK PLUG -- BPM-8Y	BUJÍA -- BPM-8Y
7	A425000000	1	SPARK PLUG -- BPMR-8Y ⁽¹⁾	BUJÍA -- BPMR-8Y ⁽¹⁾
8	15901103432	1	TERMINAL, SPARK PLUG CAP	TERMINAL, CAPUCHÓN DE BUJÍA
9	15901203433	1	CAP, SPARK PLUG	TAPA, BUJÍA
10	15611106160	1	TUBE - VINYL	TUBO - VINILO
11	90050100010	1	NUT - 10	TUERCA - 10
12	90060500010	1	WASHER - 10 -- SPRING	ARANDELA - 10 -- RESORTE
13	90060200010	1	WASHER - 10	ARANDELA - 10
14	90032303014	1	KEY - 3X14	CHAVETA - 3X14
15	15680006161	1	FLYWHEEL	VOLANTE

(FOOTNOTE) 1 - CANADA MODELS

(NOTA DEL PIE) 1 - MODELOS DE CANADÁ

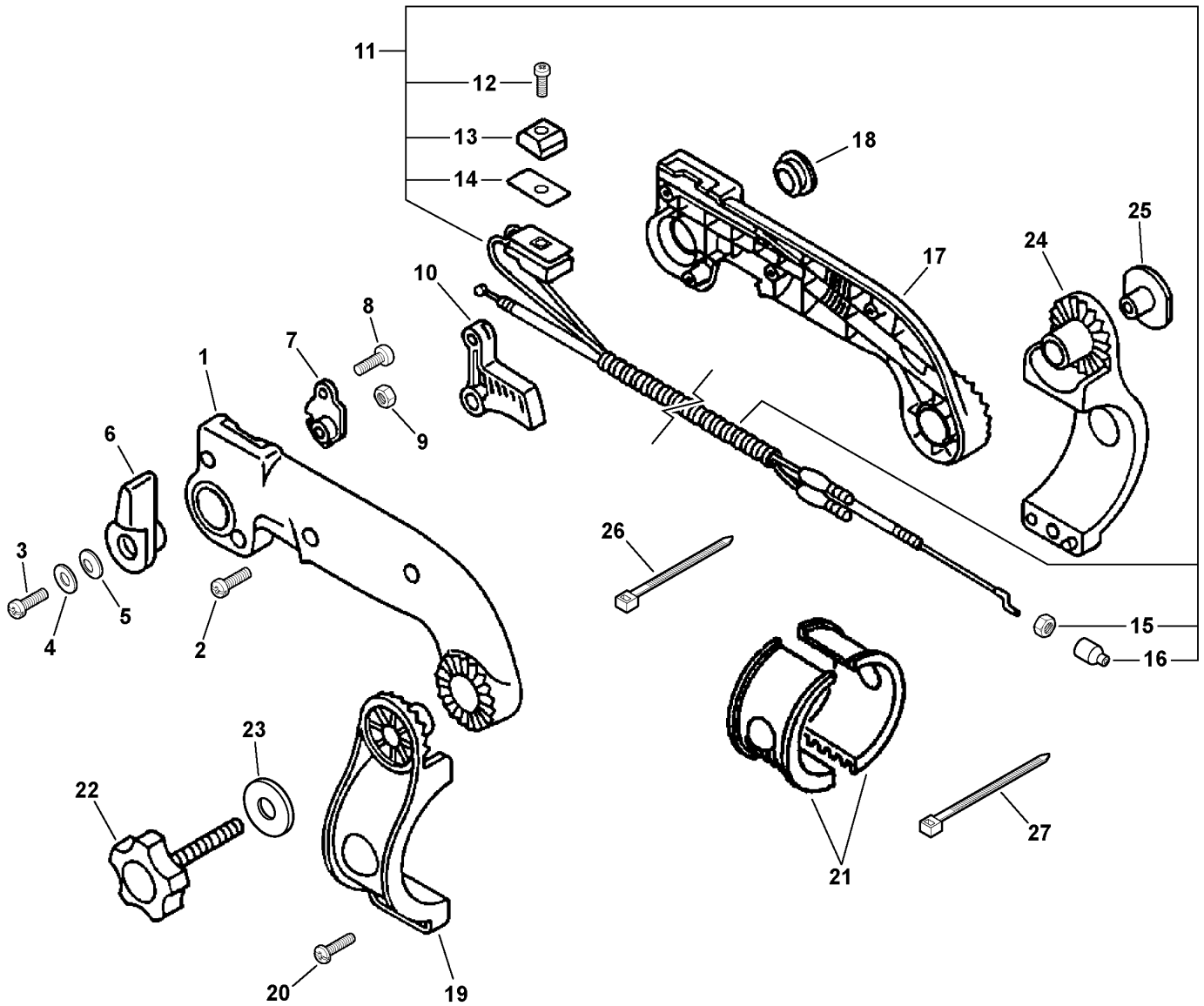


SB1057 0000 000

1	SB1057	1	SHORT BLOCK -- SB1057	BLOQUE CORTO -- SB1057
2	+ 90016205022	4	SCREW - 5X22	TORNILLO - 5X25
3	+ A130000210	1	CYLINDER	CILINDRO
4	+ 10101010722	1	GASKET, CYLINDER ⁽¹⁾	JUNTA, CILINDRO ⁽¹⁾
5	+ P021002540	1	PISTON KIT	KIT DE PISTÓN
6	+ 10001110530	2	RING, PISTON	ANILLO, PISTÓN
7	+ 10001300410	1	PIN, PISTON	PASADOR, PISTÓN
8	+ 10001500120	2	RING, RETAINING - 8	ANILLO, RETÉN - 8
9	+ 10001212331	1	BEARING, NEEDLE 10	
10	+ 10010006210	1	CRANKSHAFT ASSY	CONJUNTO DE CIGÜEÑAL
11	+ 10020408261	1	CRANKCASE ASSY	CONJUNTO DE CÁRTER
12	+ 10021300310	2	SEAL, OIL	SELLO, ACEITE
13	+ V622000020	2	PIN, LOCATING	PASADOR DE POSICIONAMIENTO
14	+ 90081036202	2	BEARING, BALL - 6202	COJINETE DE BOLAS - 6202DDU
15	+ 10024210721	1	GASKET, CRANKCASE ⁽¹⁾	JUNTA, CÁRTER ⁽¹⁾
16	+ 90016205040	4	SCREW - 5X40	TORNILLO - 5X40

(FOOTNOTE) 1 - Included In GASKET KIT

(NOTA DEL PIE) 1 - Incluido en KIT de la JUNTA

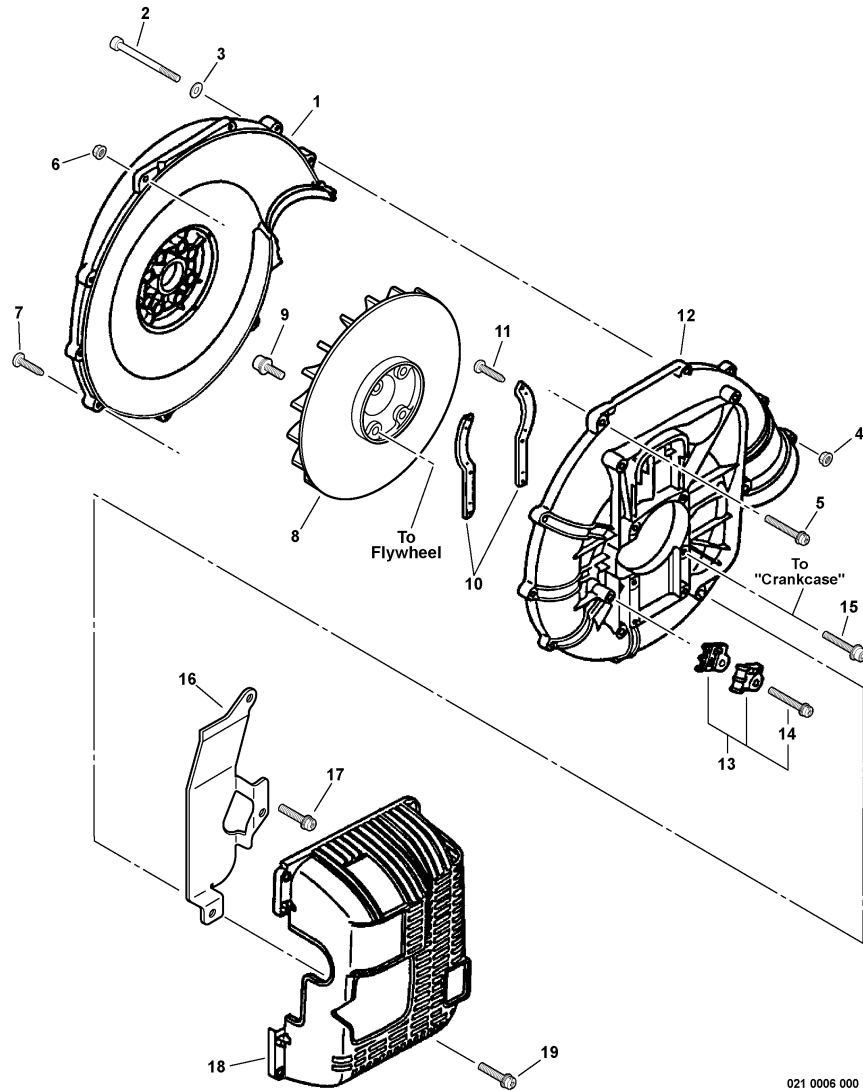


**PB-403T POWER BLOWER**

Soplador de Mochila

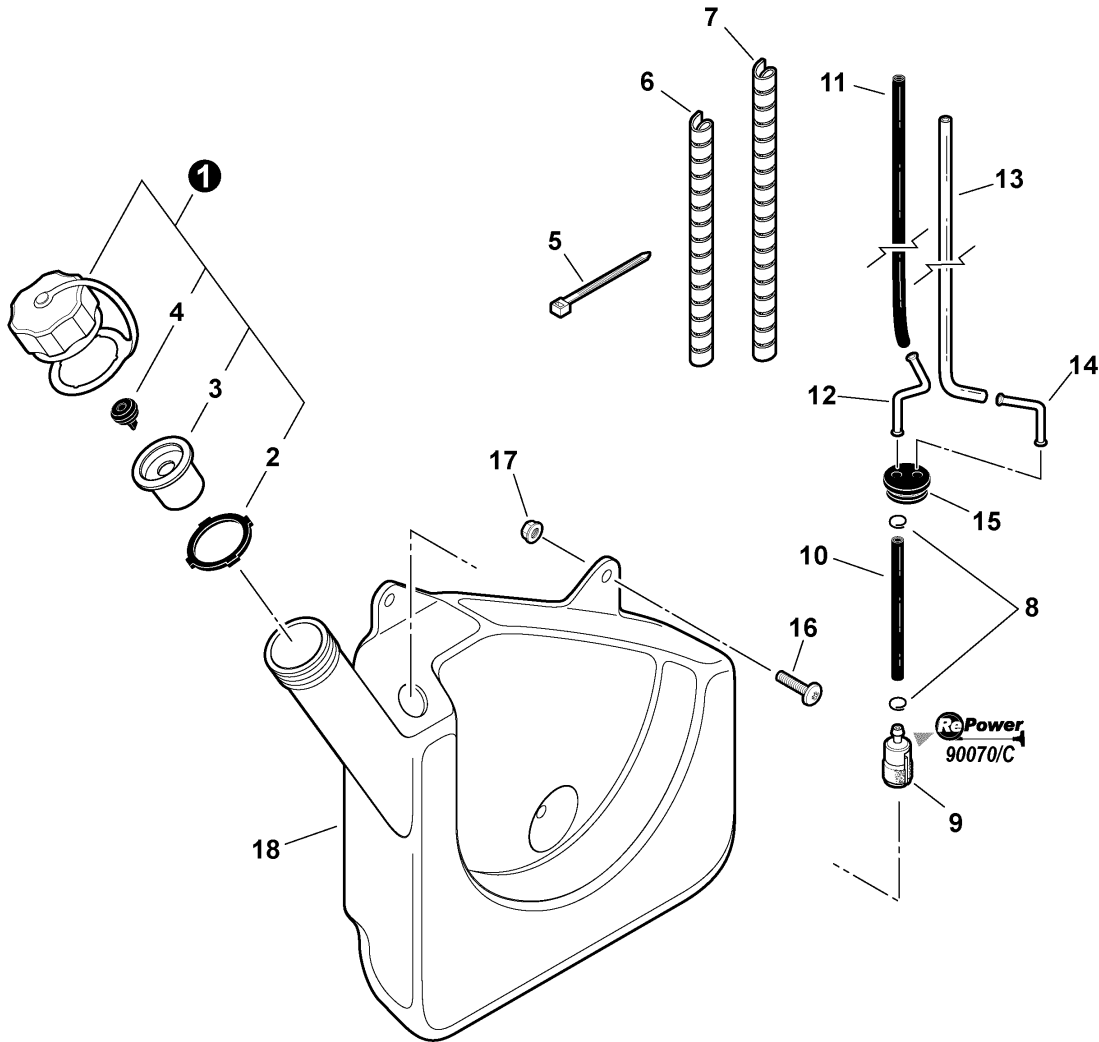
Tube Mount Throttle
Acelerador, Sujeto al Tubo

1	35131507560	1	HANDLE, CONTROL - LEFT	MANGO, DE CONTROL - IZQUIERDO
2	90025604022	4	SCREW - 4X22	TORNILLO - 4X22
3	90023506020	1	SCREW - 6X20	TORNILLO - 6X20
4	90060500006	1	LOCKWASHER - 6	ARANDELA - 6
5	90060300006	1	WASHER - 6	ARANDELA - 6
6	17805407560	1	CONTROL, THROTTLE	CONTROL, ACELERADOR
7	17812307561	1	BRACKET, THROTTLE	SOPORTE, ACELERADOR
8	90024504010	1	SCREW - 4X10	TORNILLO - 4X10
9	90050000006	1	LOCKNUT - 6	CONTRATUERCA - 6
10	17801007561	1	TRIGGER, THROTTLE	GATILLO, ACELERADOR
11	V043000021	1	CONTROL CABLE ASSY	CONJUNTO DE CABLE DE CONTROL
12	9154503010	1	SCREW - 3X10	TORNILLO - 3X10
13	16341049231	1	KNOB, SWITCH - ORANGE	PERILLA, INTERRUPTOR - NARANJA
14	89015712330	1	COVER, SWITCH - STOP	CUBIERTA, INTERRUPTOR - PARADA
15	90050000006	1	LOCKNUT - 6	CONTRATUERCA - 6
16	17808208260	1	CAP, DUST	TAPA, ANTIPOLVO
17	35131107560	1	HANDLE, CONTROL - RIGHT	MANGO, CONTROL - DERECHO
18	35114607560	1	PLUG	TAPÓN
19	35101107560	1	BRACKET, HANDLE - LEFT	SOPORTE, MANGO - IZQUIERDO
20	90025305020	1	SCREW - 5X20 -- TAPPING	TORNILLO - 5X20 - AUTOROSCANTE
21	21001907560	2	COLLAR	ESPACIADOR
22	30581208260	1	THUMBSCREW	TORNILLO, DE OREJETAS
23	17851607560	1	WASHER - 6	ARANDELA - 6
24	35102807560	1	BRACKET, HANDLE - RIGHT	SOPORTE, MANGO - DERECHO
25	17802108260	1	NUT	TUERCA
26	17812143230	1	TIE STRAP - SMALL	CORREA DE AMARRE - PEQUEÑA
27	17812109860	2	TIE STRAP - LARGE	CORREA DE AMARRE - GRANDE

Soplador de Mochila
Fan Case, Blower Fan, Engine Cover
Carcasa del Ventilador, Ventilador de Sopladora, Cubierta del Motor


021 0006 000

1	20011108265	1	COVER, FAN - INNER -- GRAY	CUBIERTA, VENTILADOR - INTERIOR -- GRIS
2	90010505060	2	SCREW - 5X60	TORNILLO - 5X60
3	90060000005	2	WASHER - 5	ARANDELA - 5
4	90051600005	2	NUT - FLANGE	TUERCA - BRIDA
5	90023805040	2	SCREW - 5X40	TORNILLO - 5X40
6	90051600005	2	NUT - FLANGE	TUERCA - BRIDA
7	90025305030	7	SCREW - 5X30	TORNILLO - 5X30
8	20001009860	1	FAN	VENTILADOR
9	90016205020	4	SCREW - 5X20	TORNILLO - 5X20
10	10491308360	2	BRACKET, ENGINE	SOPORTE, MOTOR
11	90024603012	4	SCREW - 3X12 -- TAPPING	TORNILLO - 3X12 -- AUTOROSCANTE
12	E103000103	1	COVER, FAN - OUTER -- GRAY	CUBIERTA, VENTILADOR - EXTERIOR -- GRIS
13	17810108260	1	CABLE HOLDER KIT	KIT DE SOPORTE DE CABLE
14	90023805025	1	SCREW - 5X25	TORNILLO - 5X25
15	90016205032	6	SCREW - 5X32	TORNILLO - 5X32
16	A322000000	1	INSULATOR	AISLANTE
17	90023805010	1	SCREW - 5X10	TORNILLO - 5X10
18	A190000102	1	COVER, ENGINE	CUBIERTA, MOTOR
19	90023805018	5	SCREW - 5X18	TORNILLO - 5X18

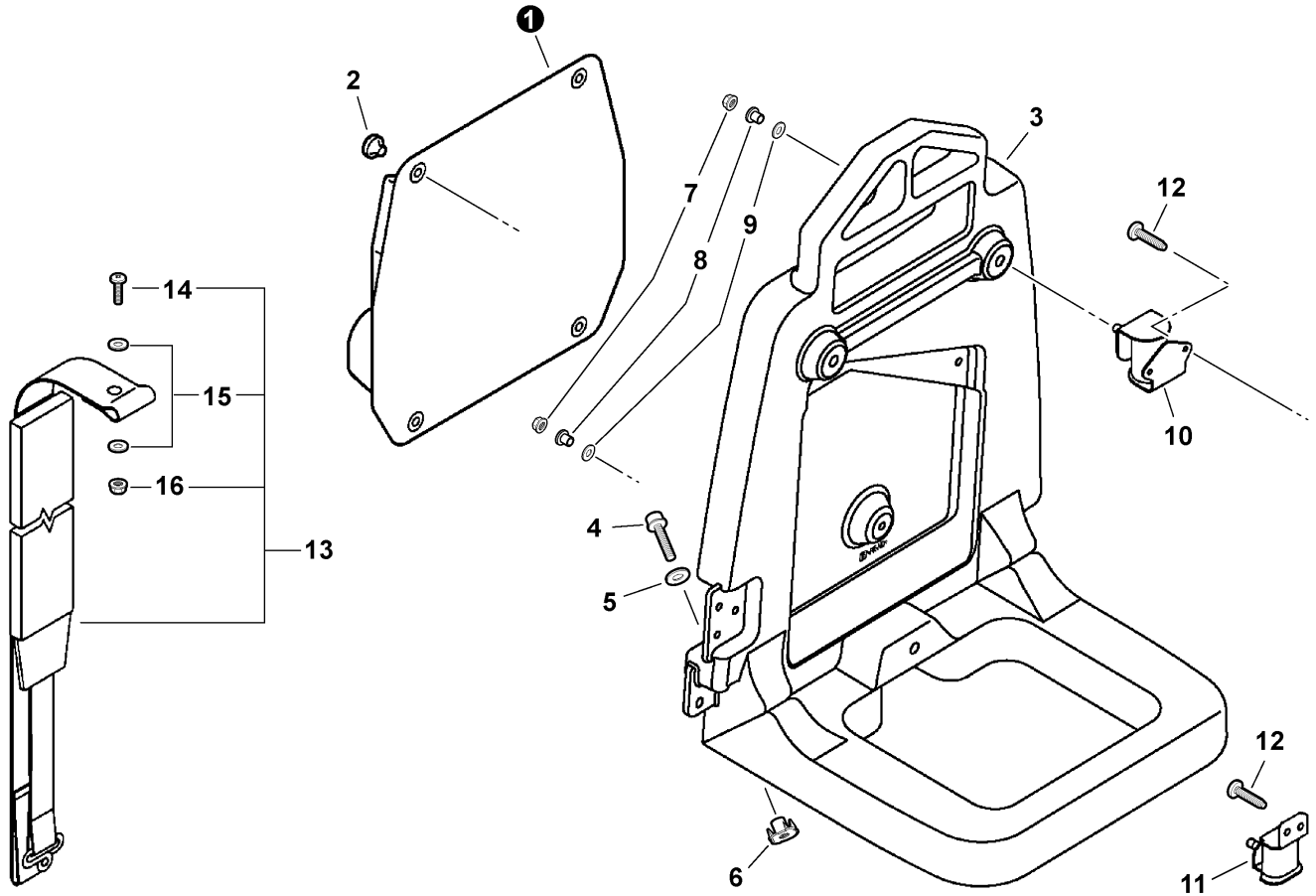


002 0019 000

①	13160009861	1	CAP ASSY	CONJUNTO DE TAPA
2	+ 13101621060	1	GASKET	JUNTA
3	+ A358000000	1	VENT HOLDER ASSY	SOPORTE, CONJUNTO DE RESPIRADERO
4	+ 13131406320	1	VENT, FUEL CAP	VENT, FUEL CAP
5	17812143230	2	TIE STRAP - SMALL	CORREA DE AMARRE - PEQUEÑA
6	17812703460	1	WRAP, SPIRAL - 130mm	ATACABLES, EN ESPIRAL - 130 mm
7	13201508260	1	WRAP, SPIRAL	ATACABLES, EN ESPIRAL
8	V490001230	2	CLIP - 6.5	GANCHO - 6.5
10	13201008260	1	PIPE - 3X7X520 -- BLACK ⁽¹⁾	TUBO - 3X7X520 -- NEGRO ⁽¹⁾
9	13120519831	1	FILTER, FUEL ⁽²⁾	FILTRO DE COMBUSTIBLE ⁽²⁾
11	V471000770	1	PIPE - 3X6X280 -- BLACK ⁽³⁾	TUBO - 3X6X280 -- NEGRO ⁽³⁾
12	13201108260	1	CONNECTOR, FUEL PIPE	CONECTOR, TUBO DE COMBUSTIBLE
13	13201608260	1	PIPE - 2X4X480 -- CLEAR ⁽⁴⁾	TUBO, RETORNO - 2X4X480 -- TRANSPARENTE ⁽⁴⁾
14	13202108260	1	CONNECTOR, PIPE	CONECTOR, TUBO
15	13211502960	1	GROMMET	ANILLO DE GOMA
16	90020905020	3	SCREW - 5X20	TORNILLO - 5X20
17	90051600005	3	NUT - FLANGE	TUERCA - BRIDA
18	A350000711	1	TANK, FUEL	TANQUE, COMBUSTIBLE
19	90070		RePower TUNE-UP KIT	KIT DE PUESTA A PUNTO
19	90070C		RePower TUNE-UP KIT	KIT DE PUESTA A PUNTO

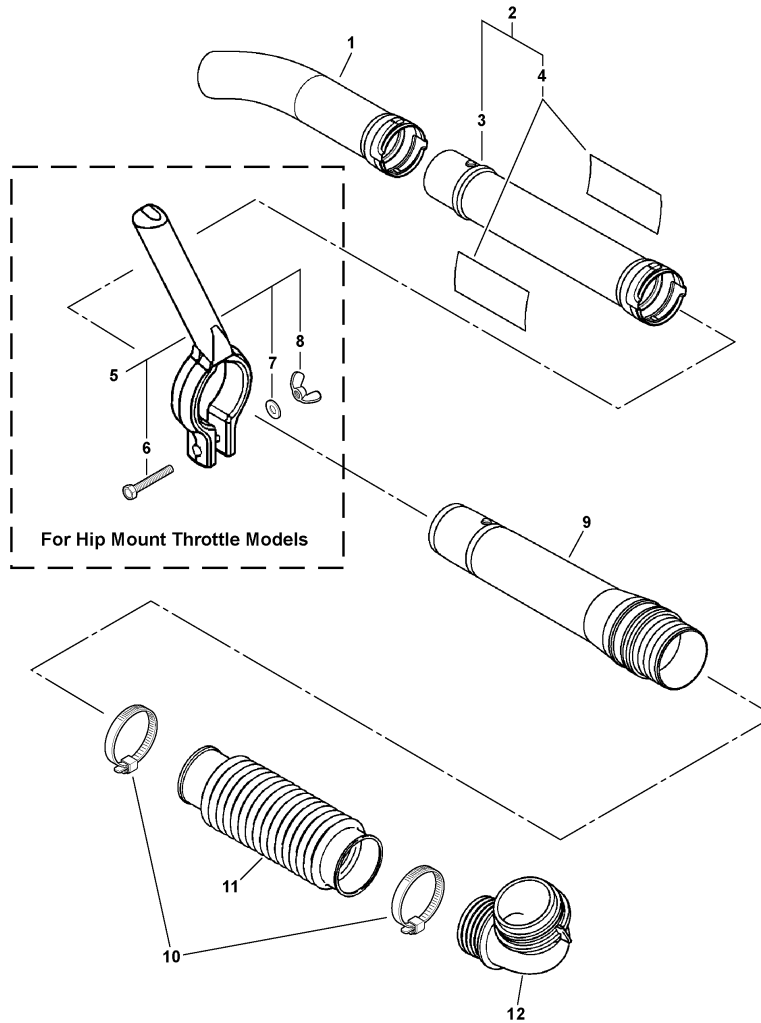
(FOOTNOTE) 1 - RePower BULK OPTION: 90016
 2 - Included In RePower KIT
 3 - RePower BULK OPTION: 90015
 4 - RePower BULK OPTION: 90018

(NOTA DEL PIE) 1 - OPCIÓN A GRANEL de la RePower: 90016
 2 - Incluido en KIT de la RePower
 3 - OPCIÓN A GRANEL de la RePower: 90015
 4 - OPCIÓN A GRANEL de la RePower: 90018



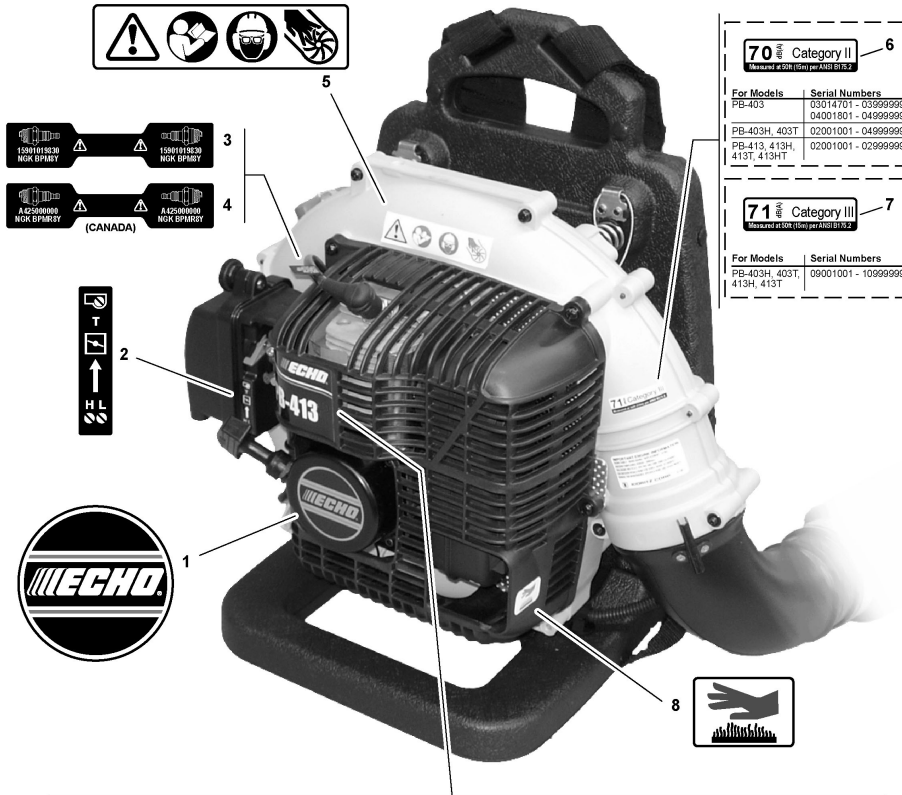
022 0006 000

①	30010508260	1	CUSHION, BACKPACK	COJÍN, MOCHILA
2	30033306160	4	CLIP	GANCHO
3	C620000100	1	BACKPACK FRAME ASSY	CONJUNTO DE ARMAZÓN DE MOCHILA
4	90010506025	4	SCREW - 6X25	TORNILLO - 6X25
5	V304000040	4	WASHER - 6	ARANDELA - 6
6	C622000000	4	T-NUT	TUERCA ENT
7	90056250005	3	LOCKNUT - 5	CONTRATUERCA - 5
8	10491508260	3	SPACER	ESPACIADOR
9	13192502310	3	WASHER - RUBBER	ARANDELA - DE GOMA
10	10090508261	2	CUSHION	COJÍN
11	V401000002	1	CUSHION	COJÍN
12	90025305016	6	SCREW - 5X16 -- TAPPING	TORNILLO - 5X16 -- AUTOROSCANTE
13	P021001760	2	BACKPACK STRAP ASSY	CONJUNTO DE CORREAS DE MOCHILA
14	+ 9154005014	2	SCREW - 5X14	TORNILLO - 5X14
15	+ 30021700610	4	WASHER	ARANDELA
16	+ 90051600005	2	NUT - FLANGE	TUERCA - BRIDA



020 0006 000

1	21002303461	1	TUBE, BLOWER - CURVED	TUBO, SOPLADOR - CURVO
2	21000103462	1	BLOWER TUBE KIT - STRAIGHT	KIT DE TUBO SOPLADOR - RECTO
3	21001503460	1	TUBE, BLOWER - STRAIGHT	TUBO, SOPLADOR - RECTO
4	89011804262	2	LABEL - ECHO	ETIQUETA - ECHO
5	001107	1	HANDLE ASSY	CONJUNTO DE MANGO
6	90010006045	1	BOLT - 6X45	PERNO - 6X45
7	90060000006	1	WASHER - 6	ARANDELA - 6
8	90052500006	1	WINGNUT - 6	TUERCA MARIPOSA - 6
9	21200507560	1	TUBE, BLOWER - SWIVEL	TUBO, SOPLADOR - PIVOTANTE
10	V495000430	2	CLAMP, HOSE	ABRAZADERA, MANGUERA
11	E164000000	1	TUBE, BLOWER - FLEXIBLE	TUBO, SOPLADOR - FLEXIBLE
12	E160000061	1	TUBE, BLOWER - ELBOW	TUBO, SOPLADOR - CODO



100 0011 000

1	89011849330	1	LABEL - ECHO	ETIQUETA - ECHO
2	89015808261	1	LABEL - CHOKE	ETIQUETA - AHOGADOR
3	X532000671	1	LABEL - SPARK PLUG -- BPM-8Y	ETIQUETA - BUJÍA -- BPM-8Y
4	X532000720	1	LABEL - SPARK PLUG -- BPMR-8Y	ETIQUETA - BUJÍA -- BPMR-8Y
5	89016009461	1	LABEL - CAUTION	ETIQUETA - PRECAUCIÓN
6	X508000130	1	LABEL - NOISE -- 70dB(A) CATEGORY III	
7	X508000140	1	LABEL - NOISE -- 71dB(A) CATEGORY III	ETIQUETA - RUIDO -- 71dB(A) CATEGORÍA III
8	X505002310	1	LABEL - HOT SURFACE	LABEL - HOT SURFACE
9	X503002180	1	LABEL - MODEL -- PB-403	ETIQUETA - MODELO -- PB-403
10	X503004830	1	LABEL - MODEL -- PB-403H	ETIQUETA - MODELO -- PB-403H
11	X503004840	1	LABEL - MODEL -- PB-403T	ETIQUETA - MODELO -- PB-403T
12	X503004290	1	LABEL - MODEL -- PB-413HT	ETIQUETA - MODELO -- PB-413HT
13	X503002090	1	LABEL - MODEL -- PB-413	ETIQUETA - MODELO -- PB-413
14	X503004850	1	LABEL - MODEL -- PB-413H	ETIQUETA - MODELO -- PB-413H
15	X503004860	1	LABEL - MODEL -- PB-413T	ETIQUETA - MODELO -- PB-413T



Soplador de Mochila

Gasket Kit -- P021009660

Kit de juntas -- P021009660

Use Gasket Kit	Contains:	Service Number	Description
P021009660		10024210721	GASKET, CRANKCASE
		10101010722	GASKET, CYLINDER
		13001603731	GASKET, INTAKE
		13001606211	SHIELD, INTAKE
		13001606434	GASKET, INTAKE
		14551006211	GASKET, EXHAUST
		14586621360	GASKET, EXHAUST
		V103000000	GASKET, INTAKE
		V104000220	GASKET, EXHAUST

300 0023 000



P021009660

1 GASKET KIT

KIT DE JUNTAS



Soplador de Mochila

RePower Tune-Up Kit
Kit RePower de Puesta a Punto

RePower Tune-Up Kit	Contains:	Service Number	Description
90070		A226000032	AIR FILTER
		13120519830	FUEL FILTER
		15901019830	SPARK PLUG BPM-8Y

400 0006 US0



90070

1 TUNE-UP KIT

PART NUMBER INDEX - ÍNDICE DEL NÚMERO DE PARTE

Click The Page Number After Any Part Number To View The Diagram Containing That Part
Chasque la página después de cualquier número de parte para ver el diagrama que contiene esa parte

Part Number	Page	Part Number	Page	Part Number	Page
-----	4, 6	177226111203	9006050000611
00110715	177227420303	900605000108
100011105309	177228011103	900704, 13, 18
100012123319	177234406303	900700000043
100013004109	177236406303	90070C13
100015001209	1780100756111	900810362029
100100062109	1780210826011	915400501414
100204082619	1780540756011	915450301011
100213003109	1780820826011	A0520000423
100242107219	1781010826012	A1300002109
1009050826114	1781210986011	A1600002907
101010107229	1781214323011, 13	A19000010212
101514082604	1781230756111	A2260000324
1049130836012	1781270346013	A2320000814
1049150826014	1785160756011	A2440000204
125200085636	2000100986012	A3000002107
125300085606	2001110826512	A3030000307
125303083606	2100010346215	A32200000012
125310139306	2100150346015	A35000071113
125313083606	2100190756011	A35800000013
125314512306	2100230346115	A4250000008
125316085606	2120050756015	C62000010014
125317083606	3001050826014	C62200000014
125324083606	3002170061014	E10300010312
125327139306	3003330616014	E16000006115
125329085606	3058120826011	E16400000015
125329098606	3510110756011	P0050004206
125333085606	3510280756011	P0050004306
125339139306	3511460756011	P0050006106
125344085606	3513110756011	P0050006206
125348139306	3513150756011	P0050009806
125350083606	8901180426215	P02100176014
125363128206	8901184933016	P0210025224
125381086606	8901571233011	P0210025409
130007082614	8901580826116	P02100966017
130016037314	8901600946116	P0210144304
130016062114	9001000604515	P0220021003
130016064344	900105050604, 12	P0220031203
1310162106013	900105060207	P0220031303
1312051983113	9001050602514	SB10579
1313140632013	900162050207, 12	V04300002111
1316000986113	900162050229	V1030000004
1319250231014	900162050254	V2520000107
1320100826013	9001620503212	V2990002904
1320110826013	900162050409	V30400004014
1320150826013	900163040183	V3400002104
1320160826013	9002090502013	V40100000214
1320210826013	9002350602011	V47100077013
1321150296013	900238050104, 7, 12	V49000123013
145510062107	900238050188, 12	V49500043015
145862212607	9002380502512	V6220000209
145866213607	9002380504012	X50300209016
151112046308	9002450401011	X50300218016
156111061608	9002460301212	X50300429016
156601098618	9002530501614	X50300483016
156800061618	9002530502011	X50300484016
159010198308	9002530503012	X50300485016
159011034328	9002560402211	X50300486016
159012034338	900323030148	X50500231016
159129082618	9005000000611	X50800013016
162021082608	900501000108	X50800014016
1634104923111	9005160000512, 13, 14	X53200067116
177200082603	9005250000615	X53200072016
177202062103	9005625000514		
177214406303	9006000000512		
177215111203	9006000000615		
177218406303	900602000108		
177220111203	9006030000611		