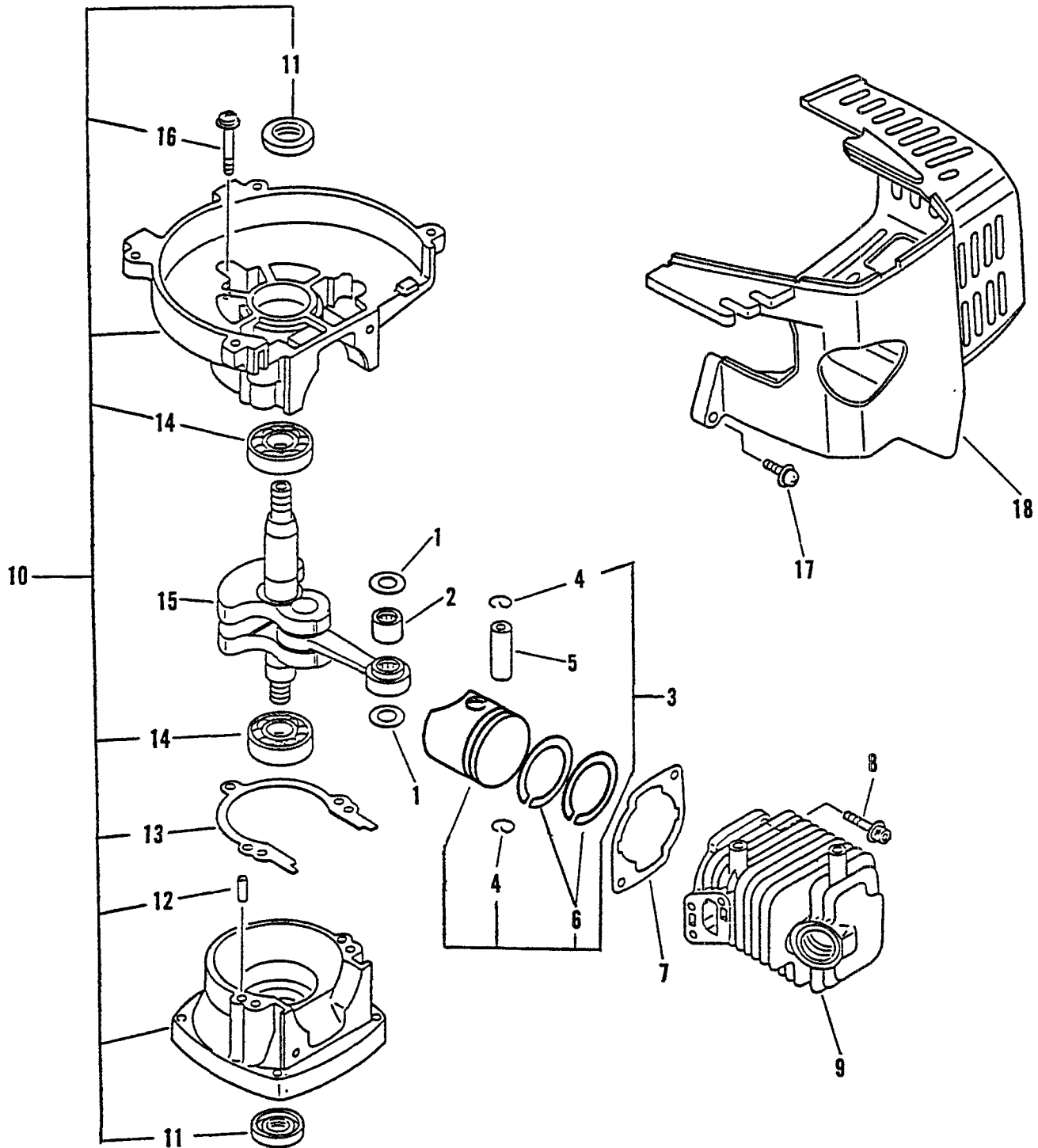




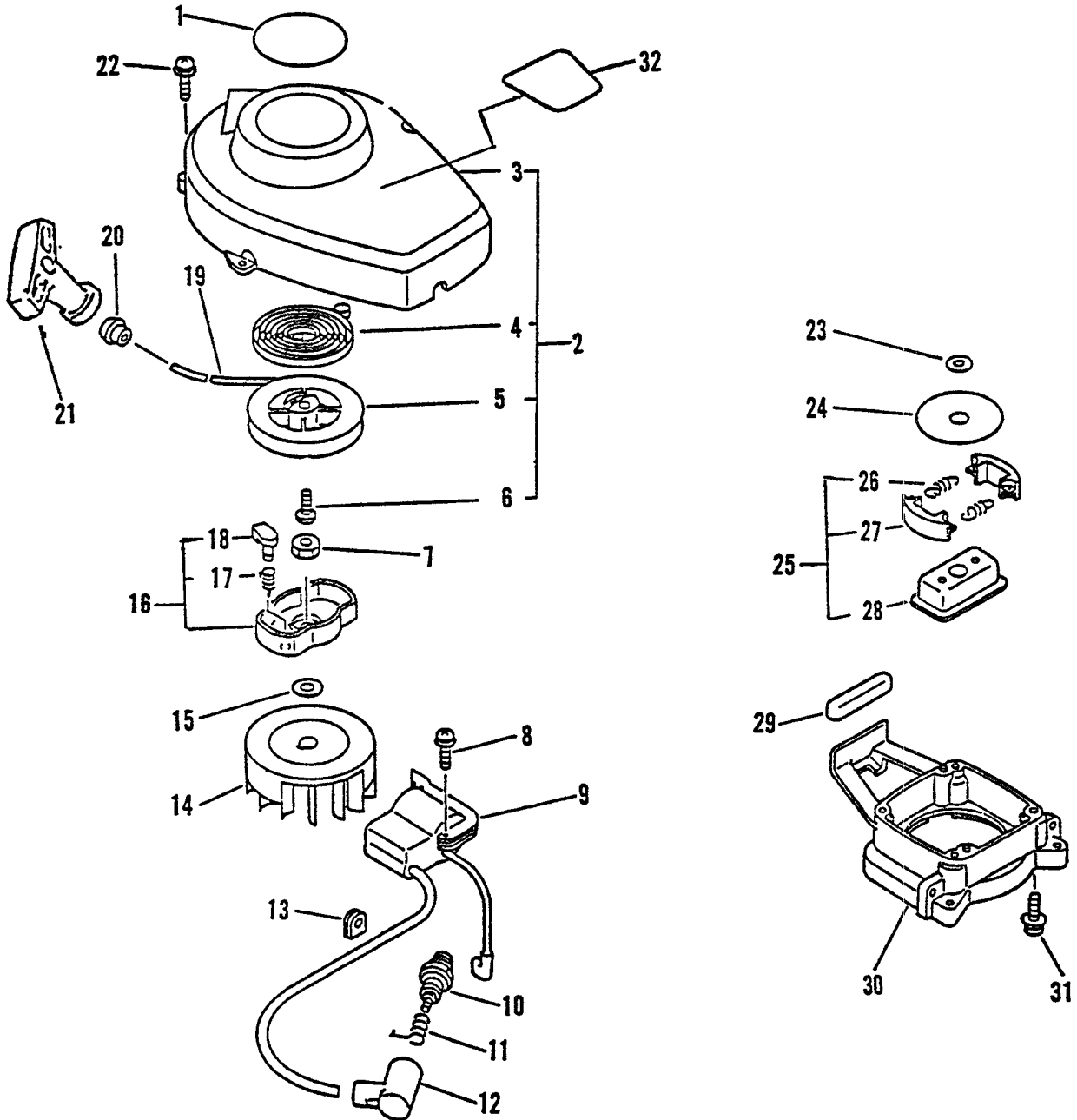
**HEDGE CLIPPER  
PARTS CATALOG  
MODEL LHS-3050  
MODEL LHS-4050  
SERIAL NUMBER 001001 & UP**

**ECHO, INCORPORATED  
400 OAKWOOD ROAD  
LAKE ZURICH, IL 60047**

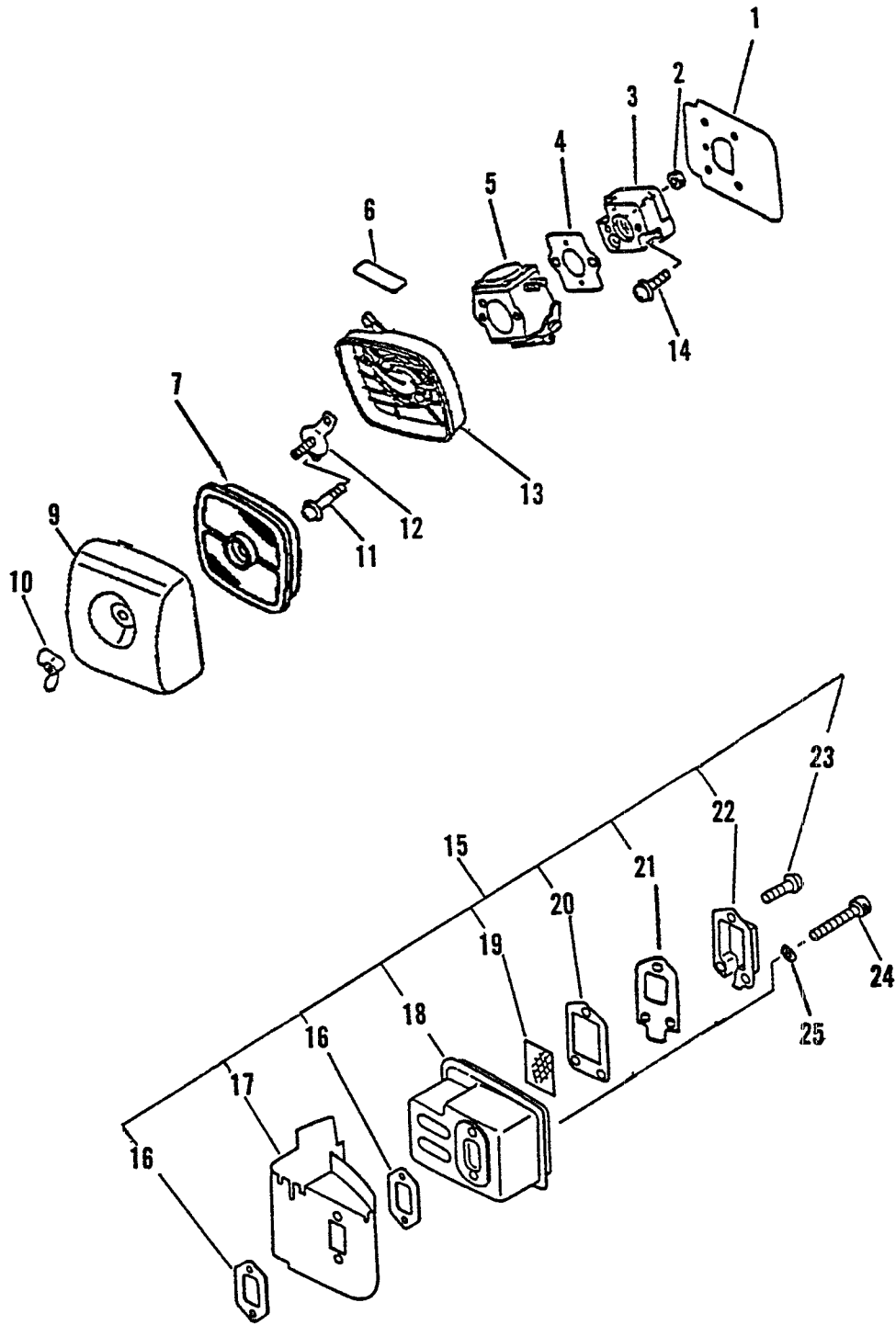
**99922202532  
03/94**



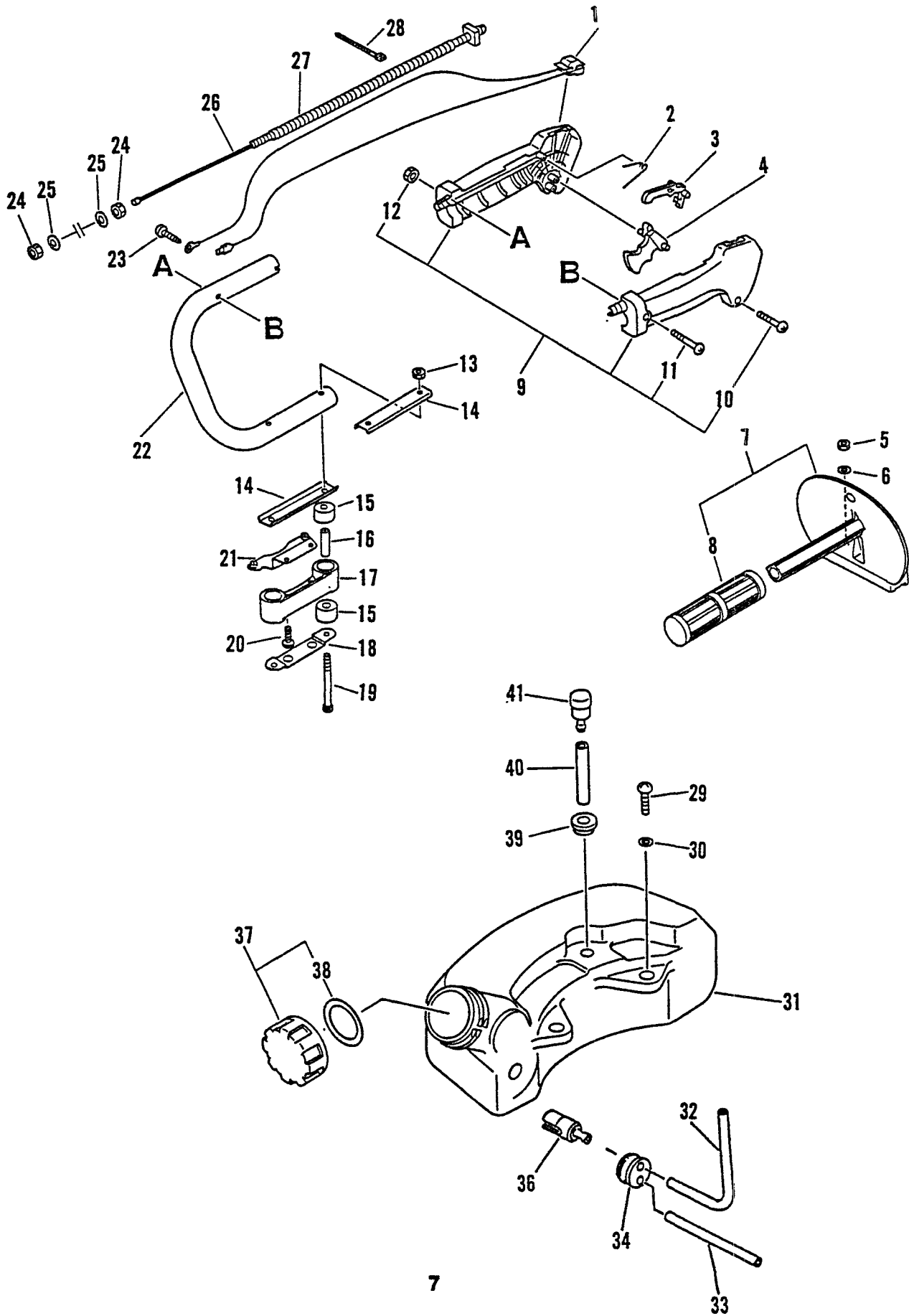
KEY	PART NUMBER	QTY	DESCRIPTION	REMARKS
1	100014 08960	2	SPACER, PISTON PIN	
2	100113 05930	1	BEARING, NEEDLE	
3	100000 09560	1	PISTON KIT	INCLUDES ITEMS 4 - 6
4	100015 04630	2	CIRCLIP, PISTON PIN	
5	100013 11520	1	PIN, PISTON	
6	100011 09560	2	RING, PISTON	
7	101010 44331	1	GASKET, CYLINDER BASE	USE GASKET KIT 889000 08460
8	900162 05022	2	BOLT, H.S. 5X22	
9	101011 52130	1	CYLINDER	
10	100204 42030	1	CRANKCASE KIT	INCLUDES 11 - 14 & 16
11	100212 42030	2	OILSEAL	
12	100215 03930	2	PIN, DOWEL	
13	-----	1	GASKET, CRANKCASE	USE GASKET KIT 889000 08460
14	900810 36201	2	BEARING, BALL 6201	
15	100100 08960	1	CRANKSHAFT	INCLUDES ITEM 2
16	900162 05028	3	SCREW 5X28	
17	900238 04022	2	SCREW 4X22	
18	101514 05960	1	COVER, CYLINDER	
 <b><u>ENGINE REPOWER</u></b>				
	<b>SB1023</b>	<b>1</b>	<b>SHORT BLOCK</b>	<b>INCLUDES FACTORY ASSEMBLED CYLINDER, CRANKCASE, PISTON, CRANKSHAFT, BEARINGS &amp; SEALS</b>
	<b>LB1019</b>	<b>1</b>	<b>LONG BLOCK</b>	<b>INCLUDES SB1023, CARBURETOR/FUEL SYSTEM, MAGNETO SYSTEM, STARTER ASY &amp; CLUTCH SHOE</b>
	<b>889000 08460</b>	<b>1</b>	<b>GASKET KIT</b>	<b>INCLUDES THE FOLLOWING ITEMS</b>
	<b>610414 01260</b>	<b>1</b>	<b>GASKET, GEAR HOUSING</b>	
	<b>101010 44331</b>	<b>1</b>	<b>GASKET, CYLINDER BASE</b>	
	<b>-----</b>	<b>1</b>	<b>GASKET, CRANKCASE</b>	
	<b>130016 42031</b>	<b>1</b>	<b>GASKET, INTAKE</b>	
	<b>130010 42032</b>	<b>1</b>	<b>GASKET, INTAKE</b>	
	<b>145866 42031</b>	<b>1</b>	<b>GASKET, MUFFLER LID</b>	
	<b>145510 42031</b>	<b>2</b>	<b>GASKET, MUFFLER</b>	



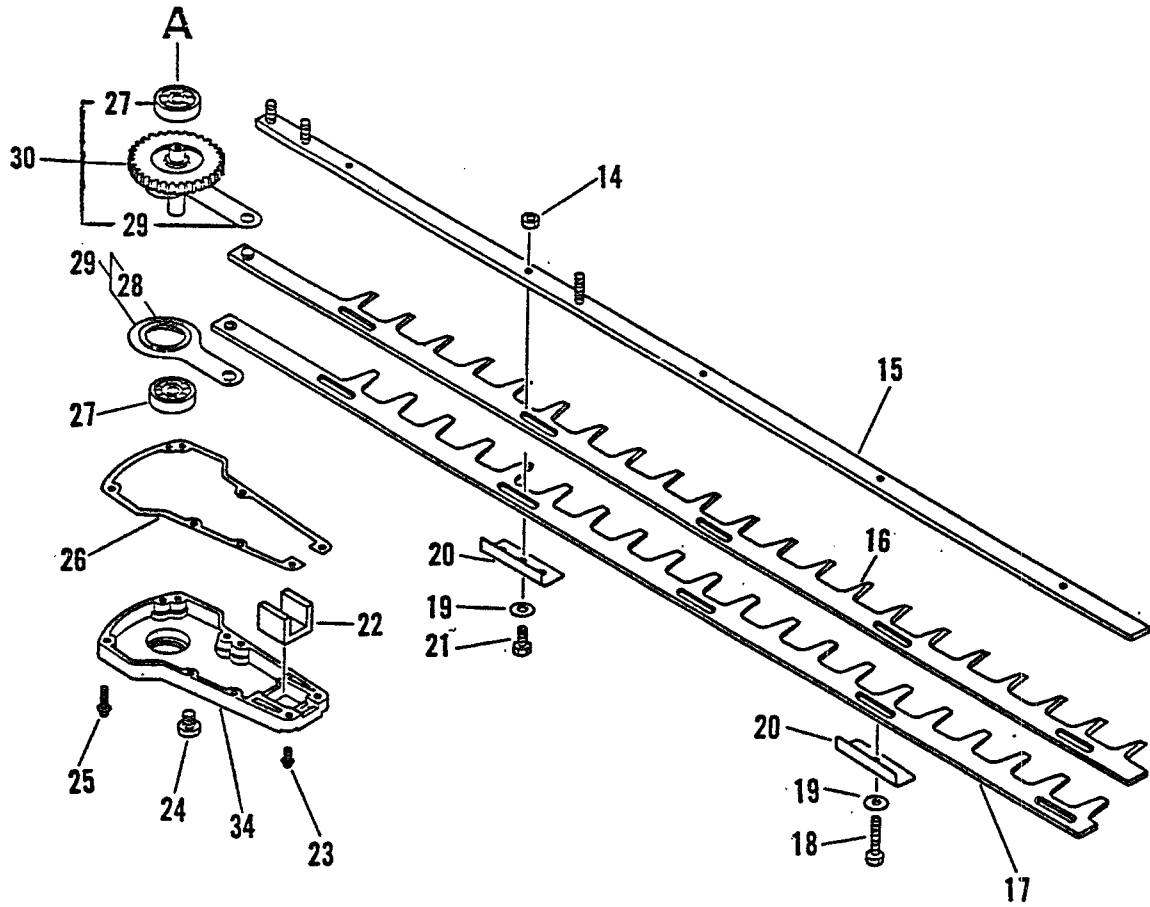
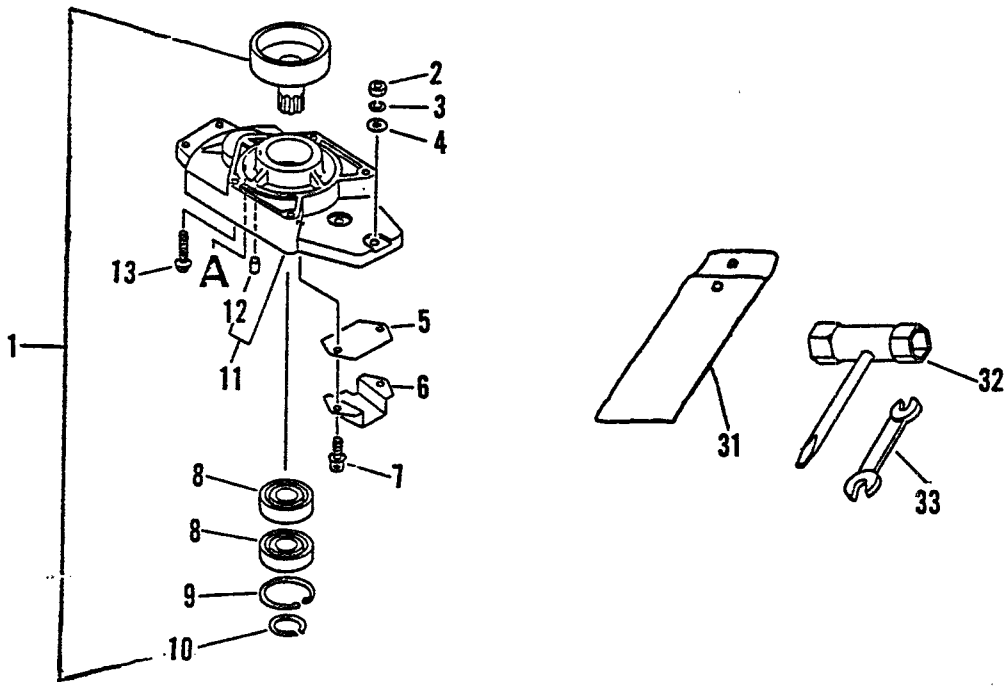
KEY	PART NUMBER	QTY	DESCRIPTION	REMARKS
1	890115 07960	1	LABEL, LESCO	
2	177200 08862	1	STARTER ASY	INCLUDES ITEMS 3 - 6
3	177232 08861	1	CASE, STARTER	
4	177220 42030	1	SPRING, REWIND	
5	177215 05960	1	DRUM, STARTER	
6	177236 44330	1	SCREW	
7	900512 00008	1	NUT	
8	900162 04022	2	SCREW 4X22	
9	156601 44730	1	COIL, IGNITION	
10	159010 10630	1	PLUG, SPARK BPM-7A	
11	159011 03432	1	COIL, SPARK PLUG CAP	
12	159012 01620	1	CAP, SPARK PLUG	
13	156110 04920	1	GROMMET	
14	156801 44730	1	FLYWHEEL	
15	900600 00008	1	WASHER 8	
16	177202 07360	1	PAWL ASY, STARTER	INCLUDES ITESM 17 & 18
17	177234 42030	1	SPRING, RETURN	
18	177218 44330	1	PAWL, STARTER	
19	-----	1	ROPE, STARTER	USE BULK ROPE 999444 00040 DIA. 3MM (.12 IN.) X 890MM (35.0 IN.)
20	177227 42030	1	GUIDE, ROPE	
21	177228 06530	1	GRIP, STARTER	
22	900238 04016	8	SCREW 4X16	
23	175014 05360	1	WASHER, CLUTCH	
24	175019 04920	2	PLATE, CLUTCH	
25	175000 02961	1	CLUTCH ASY	INCLUDES ITEMS 26 - 28
26	175018 05130	2	SPRING, CLUTCH	
27	175009 05131	2	SHOE, CLUTCH	
28	175016 07330	1	HUB, CLUTCH	
29	131920 28230	1	CUSHION, FUEL TANK	
30	610223 05960	1	CASE, CLUTCH	
31	900238 -04016	4	SCREW 4X16	
32	890112 09760	1	LABEL MODEL/CAUTION LHS-3050	
	890115 09760	1	LABEL MODEL/CAUTION LHS-4050	



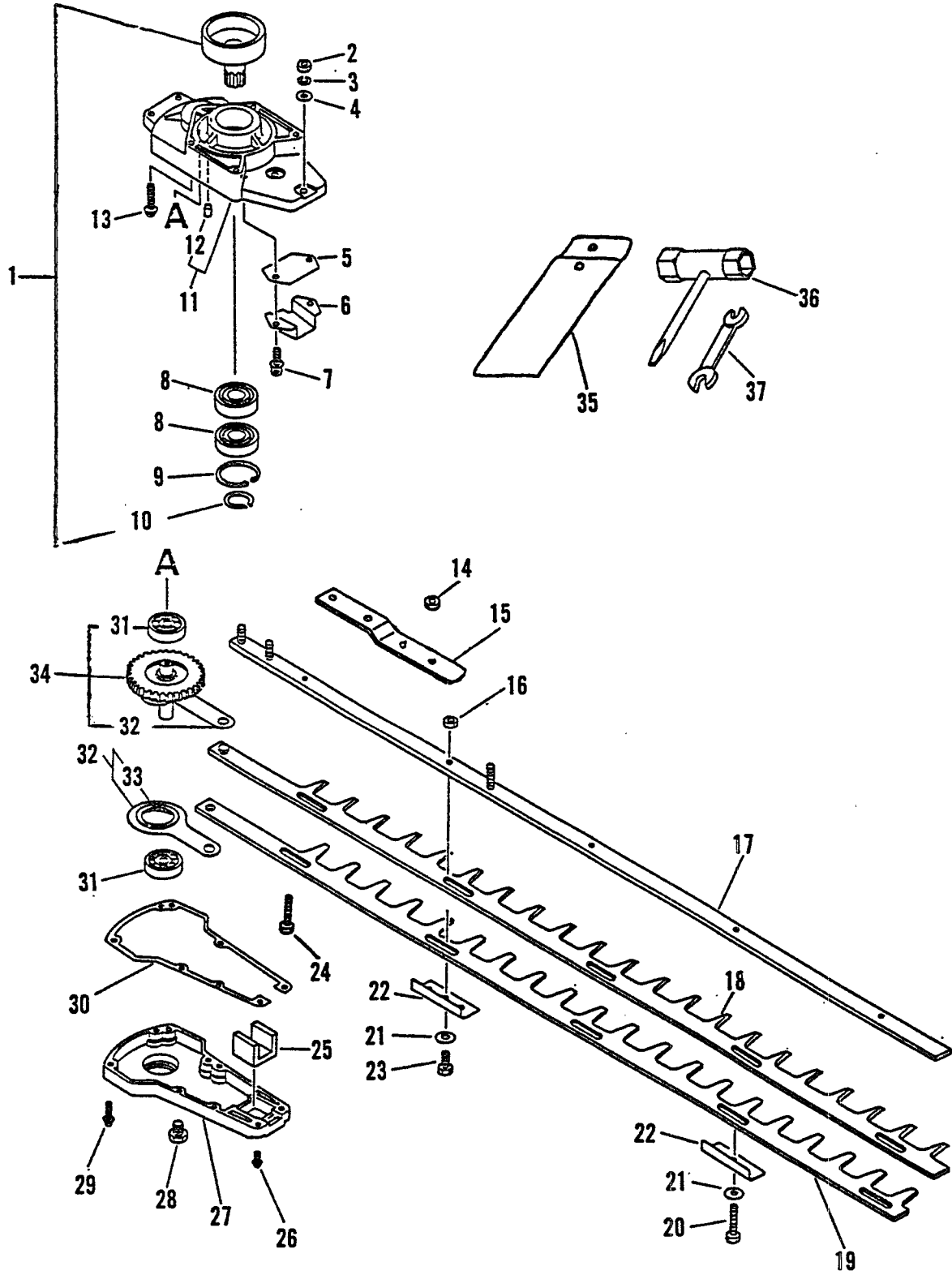
KEY	PART NUMBER	QTY	DESCRIPTION	REMARKS
1	130010 42032	1	GASKET, INTAKE	
2	900500 00005	2	NUT 5	
3	130017 42031	1	INSULATOR	
4	130016 42031	1	GASKET, INTAKE	
5	125200 08962	1	CARBURETOR C1U-K31A	
6	890121 05360	1	LABEL, CHOKE	
7	130310 54130	1	FILTER, H.D. AIR	
9	130313 05860	1	COVER, AIR CLEANER	
10	900528 00005	1	NUT, WING 5	
11	900242 05065	2	SCREW 5X65	
12	129011 12620	1	PLATE, PREVENT	
13	130307 06761	1	CASE, AIR CLEANER	
14	900238 05020	2	SCREW 5X20	
15	145800 42031	1	MUFFLER ASY	INCLUDES ITEMS 16 -23
16	145510 42031	2	GASKET, MUFFLER	
17	145871 44330	1	COVER, MUFFLER	
18	145806 42030	1	MUFFLER	
19	145862 40630	1	SCREEN, MUFFLER	
20	145866 42031	1	GASKET, MUFFLER LID	
21	145876 42030	1	LID, MUFFLER	
22	145863 06960	1	FIXTURE, SCREEN	
23	900242 04010	3	SCREW 4X10	
24	900105 05055	2	BOLT, H.S. 5X55	
25	900600 00005	2	WASHER 5	



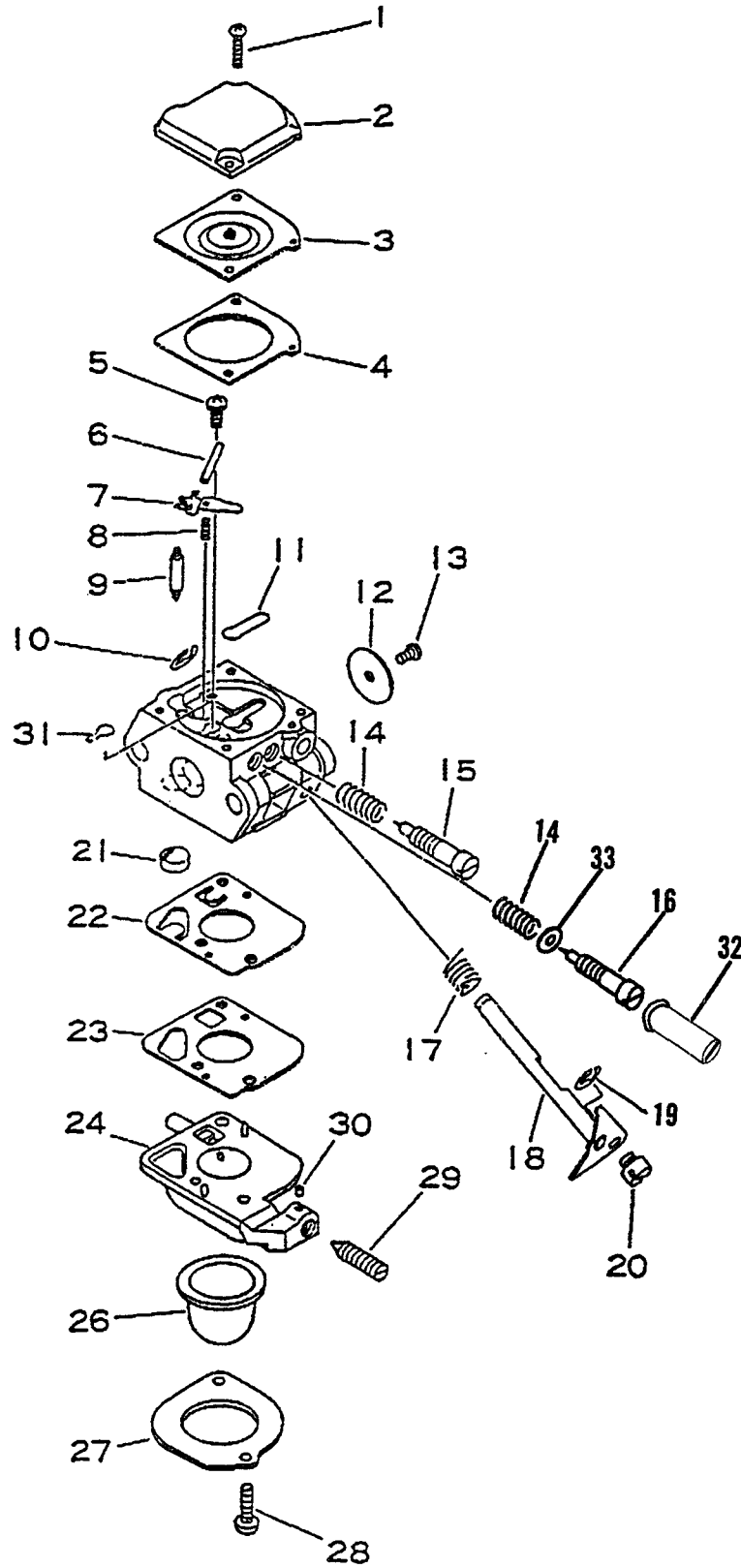
KEY	PART NUMBER	QTY	DESCRIPTION	REMARKS
1	163401 05960	1	SWITCH, IGNITION	
2	178013 35631	1	SPRING, THROTTLE LOCK	
3	178012 05960	1	LOCKOUT, THROTTLE	
4	178010 05960	1	CONTROL, THROTTLE	
5	900560 00006	2	LOCKNUT 6	
6	900603 00006	2	WASHER 6	
7	351200 02060	1	HANDLE ASY, FRONT	INCLUDES ITEM 8
8	351012 01260	1	GRIP, HANDLE	
9	351102 47530	1	GRIP KIT, HANDLE	INCLUDES ITEMS 10 - 12
10	900246 03025	4	SCREW 3X25	
11	900220 05030	1	SCREW 5X30	
12	900500 00005	1	NUT 5	
13	900560 00005	2	LOCKNUT 5	
14	351243 01260	2	BRACKET, HANDLE	
15	351228 01260	4	CUSHION	
16	351241 01260	2	SPACER	
17	351217 05960	1	SUPPORTER, HANDLE	
18	351242 01261	1	PLATE, CUSHION	
19	900105 05060	2	BOLT, H.S. 5X60	
20	900242 05016	2	SCREW 5X16	
21	610438 01260	1	PLATE	
22	351205 08961	1	HANDLE, REAR	
23	900238 05010	1	SCREW 5X10	
24	900502 00006	2	NUT 6 (3)	
25	900600 00006	2	WASHER 6	
26	178001 05960	1	WIRE, THROTTLE	
27	178127 05960	1	TUBE	
28	178121 10050	1	CLIP	
29	900238 05016	2	SCREW 5X16	
30	900603 00005	2	WASHER 5	
31	131002 08960	1	TANK, FUEL	
32	132010 02160	1	PIPE	
33	132717 06460	1	PIPE 3X5X110	
34	132115 44330	1	GROMMET, FUEL	
36	131205 07320	1	STRAINER, FUEL	
37	131004 40930	1	CAP ASY, FUEL	INCLUDES ITEM 38
38	131016 40930	1	GASKET, FUEL TANK CAP	
39	132115 01461	1	GROMMET	
40	132010 21160	1	PIPE, FUEL 3X6X250	
41	131300 40630	1	VENT ASY	



KEY	PART NUMBER	QTY	DESCRIPTION	REMARKS
1	175003 01261	1	DRUM W/CLIP, CLUTCH	INCLUDES ITEM 10
2	900500 00006	2	NUT 6	
3	900605 00006	2	WASHER, SPRING 6	
4	900600 00006	2	WASHER 6	
5	610440 01260	1	GUIDE	
6	610441 02060	1	GUIDE	
7	900162 05014	2	BOLT, H.S. 5X14	
8	900802 06003	2	BEARING, BALL 6003	
9	900702 00035	1	CIRCLIP 35	
10	900701 00016	1	CIRCLIP 16	
11	610410 05960	1	GEARCASE	INCLUDES ITEM 12
12	100215 03930	1	PIN, DOWEL	
13	900162 05030	4	SCREW 5X30	
14	900560 00006	4	LOCKNUT 6	
15	699105 02061	1	BAR, FRAME	
16	697010 02060	1	CUTTER	
17	697011 02060	1	CUTTER	
18	699115 02062	1	BOLT	
19	699118 01261	5	WASHER	
20	699213 02062	5	INSULATOR	
21	351027 02060	4	BOLT, CUTTER	
22	610426 01260	1	SEAL	
23	900242 04014	4	SCREW 4X14	
24	900100 08008	1	BOLT 8X8	
25	900242 04022	2	SCREW 4X22	
26	610414 01260	1	GASKET, GEAR HOUSING	
27	900810 06200	2	BEARING, BALL 6200	
28	610327 01260	2	BEARING, NEEDLE	
29	610307 01260	2	CONNECTING ROD ASY	
30	610302 01260	1	GEAR ASY	
31	898510 43330	1	BAG, TOOL	
32	895410 00431	1	WRENCH, W/SCREWDRIVER	
33	895112 00330	1	SPANNER 8X10	
34	610411 05960	1	GEARCASE	



KEY	PART NUMBER	QTY	DESCRIPTION	REMARKS	
1	175003 01261	1	DRUM W/CLIP, CLUTCH	INCLUDES ITEM 10	
2	900500 00006	2	NUT 6		
3	900605 00006	2	WASHER, SPRING 6		
4	900600 00006	2	WASHER 6		
5	610440 01260	1	GUIDE		
6	610441 02060	1	GUIDE		
7	900162 05014	2	BOLT, H.S. 5X14		
8	900802 06003	2	BEARING, BALL 6003		
9	900702 00035	1	CIRCLIP 35		
10	900701 00016	1	CIRCLIP 16		
11	610410 05960	1	GEARCASE		
12	100215 03930	1	PIN, DOWEL		
13	900162 05030	4	SCREW 5X30		
14	699111 08960	2	SPACER, CUTTER		
15	699213 08960	1	BRACKET		
16	900560 00006	6	LOCKNUT 6		
17	699105 08960	1	BAR, FRAME		
18	697010 08960	1	CUTTER		
19	697011 08960	1	CUTTER		
20	699115 02062	1	BOLT		
21	699118 01261	7	WASHER		
22	699213 02062	7	INSULATOR		
23	351027 02060	5	BOLT, CUTTER		
24	699115 08960	1	BOLT, CUTTER		
25	610426 01260	1	SEAL		
26	900242 04014	4	SCREW 4X14		
27	610411 05960	1	GEARCASE		
28	900100 08008	1	BOLT 8X8		
29	900242 04022	2	SCREW 4X22		
30	610414 01260	1	GASKET, GEAR HOUSING		
31	900810 06200	2	BEARING, BALL 6200	INCLUDES ITEM 33	
32	610307 01260	2	CONNECTING ROD ASY		
33	610327 01260	2	BEARING, NEEDLE		
34	610302 01260	1	GEAR ASY		INCLUDES ITEMS 31 & 32
35	898510 11630	1	BAG, TOOL		
36	895410 00431	1	WRENCH, W/SCREWDRIVER		
37	895112 00330	1	SPANNER 8 X10		



KEY	PART NUMBER	QTY	DESCRIPTION	REMARKS
*	125200 08962	1	CARBURETOR C1U-K31A	INCLUDES THE FOLLOWING ITEMS
1	125344 52130	2	SCREW	
2	125342 52130	1	COVER, DIAPHRAGM	
3	A B	1	DIAPHRAGM	
4	A B	1	GASKET, DIAPHRAGM	
5	125339 42030	1	SCREW	
6	B	1	PIN	
7	B	1	ARM VALVE	
8	B	1	SPRING, COIL	
9	B	1	VALVE, NEEDLE	
10	125327 15130	1	CLIP	
11	B	1	PLUG, WELCH	
12	125316 07260	1	VALVE, THROTTLE	
13	125314 13930	1	SCREW	
14	125319 42030	2	SPRING, COIL	
15	125318 08960	1	SCREW, IDLE MIXTURE	
16	125320 07760	1	NEEDLE, HIGH SPEED	
17	125313 42030	1	SPRING, THROTTLE RETURN	
18	125317 11820	1	SHAFT, THROTTLE	
19	125327 13930	1	CLIP	
20	125372 42030	1	SWIVEL	
21	B	1	STRAINER	
22	A B	1	DIAPHRAGM, FUEL PUMP	
23	A B	1	GASKET, FUEL PUMP	
24	125324 11610	1	COVER, PUMP	
26	125381 46730	1	PUMP, PRIMER	
27	125363 11610	1	RING	
28	125310 11610	2	SCREW	
29	125334 13930	1	SCREW, IDLE ADJUST	
30	125378 13930	1	PIECE, FRICTION	
31	B	1	PLUG, WELCH	
*32	125329 08960	1	CAP, LIMITER	
33	125353 07760	1	WASHER, LIMITER NEEDLE	
A	125303 11520	1	GASKET/DIAPHRAGM KIT	
B	125300 08960	1	REBUILD KIT	

\* The LHS-3050/4050 Models in this serial number range are limited in no load RPM by limiter cap 125329 08960, preventing engine failure due to lean misadjustment. When replacing the carburetor with separate limiter cap or replacing the limiter cap proceed as follows:

1. Set HI needle 1 turn open. Set LO needle 1-1/4 turns open.
2. Start and run unit 2-3 minutes until warm.
3. Set idle speed at 3000 RPM using a tachometer.
4. Adjust LO speed needle for good acceleration.
5. Set HI speed needle a maximum of 10,000 RPM.
6. Press limiter cap onto HI needle with the stopper flange against the LO adjustment needle preventing further clockwise or lean adjustment.

**REMOVAL, TAMPERING OR MISINSTALLATION OF THE LIMITER CAP WILL VOID WARRANTY IN THE EVENT OF ENGINE FAILURE DUE TO LEAN MISADJUSTMENT.**